

VULCAN NR. 2

## EQUIPMENT SPECIAL OPERATIONAL (S.O.O.)

Page HP. 1

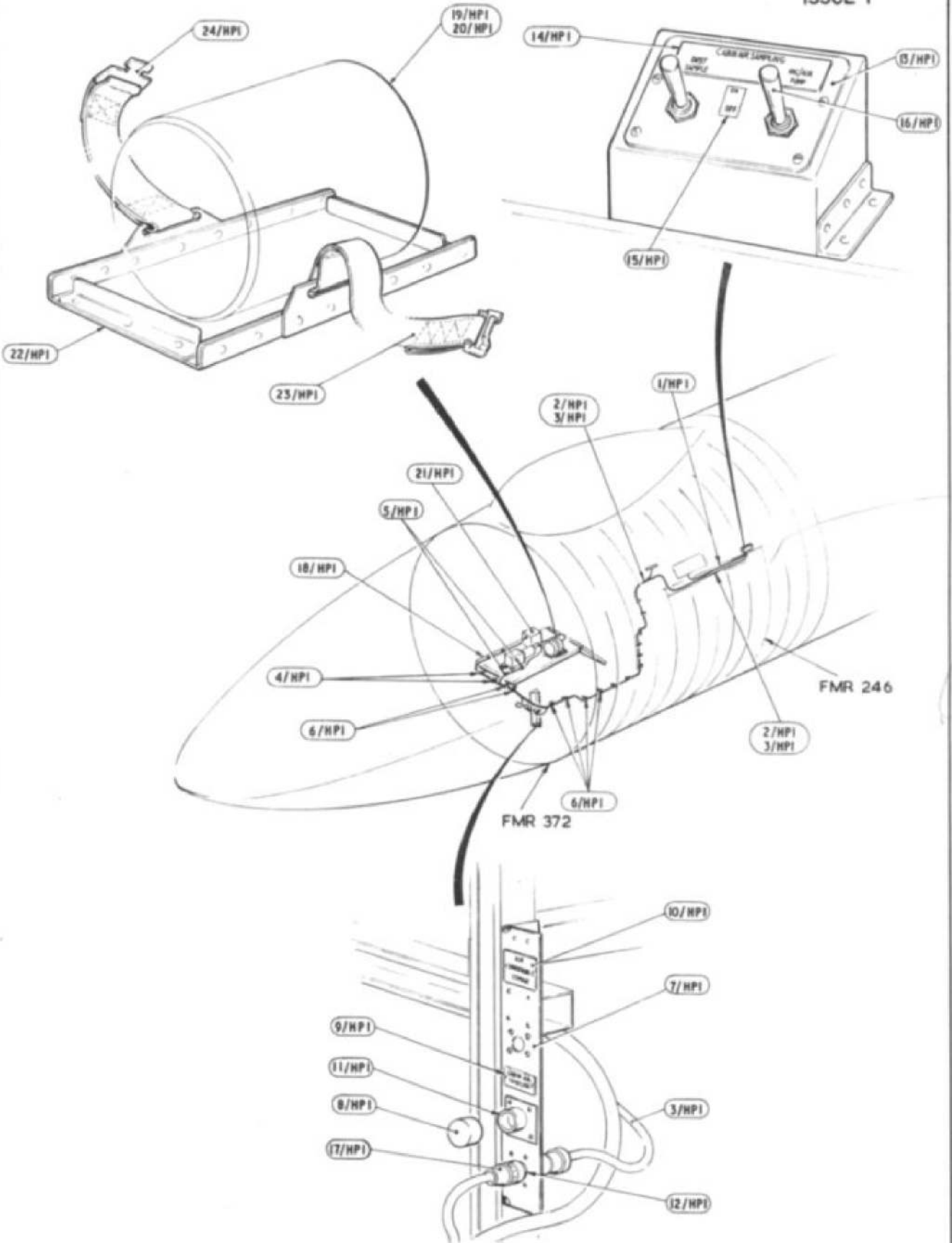
## AIR MONITORING SYSTEM (MOD. 2392)

Ref. No.	Part No.	Description	No. off	Matl. Spec.	Cl. of St.	Plate and Illust'n No.
					M.R.	
		CLIPS AND FIXING FOR AIR SAMPLING EQUIPMENT (V18358)				
28D/9436920	A25/1C	Bolt, 2 BA .....	8	—		
28D/9133011	A25/2C	Bolt, 2 BA .....	4	—		
28D/1212806	AS1248/6C	Bolt, 2 BA .....	4	—		
	4219V7909	CABLE (F4219), FUSES 664 AND 937 TO SAMPLING SWITCHES, GROUP	1	—		HP1/1
	4220V7909	CABLE (F4220), DUST SAMPLING SWITCH AND EARTH POINT 16 TO PUMP, GROUP	1	—		HP1/2
	4221V7909	CABLE (F4221), VAC/AIR SAMPLING SWITCH AND EARTH POINT 20 TO PLUG BREAK, GROUP	1	—		HP1/3
	AS5418/3	Clip, "P", cable .....	4	—		HP1/4
	AS5418/6	Clip, "P", cable .....	2	—		HP1/5
	AS5418/7	Clip, "P", cable .....	6	—		HP1/6
28M/1012015	AGS2001/C1/66	Nut, stiff, 2 BA .....	8	—		
	2V18358	PANEL, PLUG BREAK AND STOWAGE, GROUP Spares for:—	1	—		HP1/7
	HELLERMANN 0003-033-000	Cover, dust .....	1	—		HP1/8
	31SS6098	Label, "Cabin Air Sampling" .....	1	—		HP1/9
	32SS6098	Label, "Air Monitoring Stowage" .....	1	—		HP1/10
28M/1987493	AGS2001/A1	Nut, stiff, 6 BA .....	8	—		
	2aV18358	Panel .....	1	—		
	HELLERMANN 418618/12	Receptacle, dummy .....	1	—		HP1/11
	HELLERMANN SLPT06F-10-6S	Receptacle .....	1	—		HP1/12
28S/1006948	A32/A12	Screw .....	8	—		
28W/9419464	SP13/A	Washer .....	8	—		
	3V18358	PANEL, SWITCH, GROUP Spares for:—	1	—		HP1/13
	36SS6098	Label, "Cabin Air Sampling" .....	1	—		HP1/14
	37SS6098	Label, "ON/OFF" .....	1	—		HP1/15
	3aV18358	Panel .....	1	—		
	LUCAS D13057	Switch, single pole .....	2	—		HP1/16
28S/1017747	HELLERMANN SLPT06F-10-6P	Plug .....	1	—		HP1/17
	A32/A14	Screw, 6 BA .....	4	—		
		MOUNTING OF AIR SAMPLING EQUIPMENT (Z12758)				
28D/9436920	A25/1C	Bolt, 2 BA .....	4	—		
28D/1008145	A25/6E	Bolt, 1/4" UNF .....	4	—		

## EQUIPMENT SPECIAL OPERATIONAL (S.O.O.)

## AIR MONITORING SYSTEM (MOD. 2392)

Ref. No.	Part No.	Description	No. off	Mati. Spec.	Cl. of St.	Plate and Illust'n No.
					M.R.	
		1 2 3 4				
	4SS5681	Insert, 2 BA .....	4	—		
	4SS5682	Insert, 1/4" BSF .....	4	—		
	2Z12758	PANEL, BOMB AIMER'S, GROUP .....	1	—		HP1/18
		(Make from existing panel 150Z12726)				
	HELLERMANN SLPT06F-10-6P AEROSOL PRODUCTS Type SC1 ROTHEROE MITCHELL L60	Plug .....	1	—		HP1/19
		Pump, "Vacanair" .....	1	—		HP1/20
		Pump, dust sampling .....	1	—		HP1/21
	1Z12757	TRAY, MOUNTING, VACANAIR PUMP .....	1	—		HP1/22
		GROUP (Z12757) Spares for:—				
28D/1007973	AS1242/2B	Bolt, 4 BA .....	6	—		
28M/1278189	AGS2001/B1	Nut, stiff, 4 BA .....	6	—		
	5Z12757	Strap Assy., half .....	1	—		HP1/23
	10Z12757	Strap Assy., half .....	1	—		HP1/24
28W/9419401	SP10/B	Washer, 4 BA .....	6	—		
28W/9419454	SP10/C	Washer, 2 BA .....	4	—		
28W/9418920	SP10/E	Washer, 1/4" BSF .....	4	—		



EQUIPMENT SPECIAL OPERATIONAL (S.O.O.)  
AIR MONITORING SYSTEM (MOD. 2392)

This file was downloaded  
from the RTFM Library.

Link: [www.scottbouch.com/rtfm](http://www.scottbouch.com/rtfm)

Please see site for usage terms,  
and more aircraft documents.

