

VULCAN No. 2

FUSELAGE
CREW'S NACELLE

Page JA. 1

Ref. No.	Part No.	Description	No. off	Mati. Spec.	Cl. of	Plate and Illust'n No.
					St.	
		1 2 3 4			M.R.	
	10D9580	CREW'S NACELLE, COMPLETE WITH EQUIPMENT Complementary parts e.g.:— Intercomponents attachments listed at the end of this assembly will not be supplied with the assembly spare and must be demanded separately when required Spares for:— AIR, EMERGENCY RELEASE (1Z7600) (See Services—Emergency Air) A.S.I. SYSTEM (S2167) (See Services, A.S.I. System) AXE MOUNTING, FIREMAN'S, AND ASBESTOS GLOVES ON BOMB SIGHT COVER (Z11323) (Mod. 1696) Spares for:—	1	—		
27N/4670513	—	Axe	1	—	B	JA1/1
22G/404	—	Gloves, asbestos (1 pair)	1	—	B	
	2Z11323	PLATE, MOUNTING, GROUP	1	—	—	JA1/2
	40D9278	CORD, GLOVE RETAINING, GROUP	1	—		JA1/3
	40aD9278	Consisting of:— Cord, elastic, 1/4" dia. x 4" long	1	F51		
		(Make from 32C/9005616)				
28H/4070284	AGS897/B	Ferrule	2	—	C	
	7Z8500	GUARD, AXE BLADE, GROUP	1	—		JA1/4
		Attachments—Guard, Part No. 7Z8500				
28D/1213722	AS1248/9B	Bolt, 4 BA	3	—	C	
28M/1278189	AGS2001/B1	Nut, 4 BA	3	—	C	
28W/9419474	SP15/B	Washer, 4 BA	3	—	C	
	3Z11323	GUARD, AXE, PICK END, GROUP	1	—		JA1/5
		Attachments—Guard, Part No. 3Z11323				
28D/1013172	AS1242/5C	Bolt, 2 BA	2	—	C	
28M/1278189	AGS2001/C1	Nut, 2 BA	2	—	C	
28W/9419454	SP10C	Washer, 2 BA	2	—	C	
	2Z11266	PLATE, MOUNTING, GROUP	1	—		JA1/6
	15Z3090	POCKET, AXE STOWAGE, GROUP	1	—		JA1/7
		Attachments—Pocket, Part No. 15Z3090				
28D/1218384	AS1248/1B	Bolt, 4 BA	4	—	C	
28M/1278189	AGS2001/B1	Nut, 4 BA	4	—	C	
28W/9419474	SP15/B	Washer, 4 BA	4	—	C	
	2Z7518	STRAP, AXE MOUNTING, GROUP	1	—	C	JA1/8
		Attachments—Strap, Part No. 2Z7518				
28D/1218384	AS1248/1B	Bolt, 4 BA	2	—	C	
28M/1278189	AGS2001/B1	Nut, 4 BA	2	—	C	
28W/9419474	SP15/B	Washer, 4 BA	2	—	C	

FUSELAGE
CREW'S NACELLE

Ref. No.	Part No.	Description	No. off	Mati. Spec.	Cl. of	Plate and Illust'n No.
					St.	
		1 2 3 4				
		AXE, MOUNTING, FIREMAN'S AND ASBESTOS GLOVES ON BOMB SIGHT COVER (Z11323) (Mod. 1696) (Cont'd)				
28D/9419397	A25/12C	Attachments—Mounting Plate Part No. 2Z11323				
28M/1012015	AGS2001/C1/66	Bolt, 2 BA	4	—	C	
26DL/6939	AS2811/5/055	Nut, 2 BA	4	—	C	
26TA/11123	24SS4327	Tube, distance	4	—	C	
		Ferrule	4	—	C	
		BOMB SIGHT INSTALLATION (W1128) (See—Armament—Bomb Sight)				
	12SK29556	BOX, BALLAST, ON SEXTANT STEP, PORT, . . . GROUP	1	—		JA3/9
	1SK29556	BOX, BALLAST, ON SEXTANT STEP, STARBOARD, GROUP	1	—		JA3/10
		BRAKE, PARKING, INSTALLATION (30Z7704)				
	1.O.3520	Spares for:— FAIRLEAD, ROLLER, PARKING BRAKE . . . CONTROL RODS AT FORMERS 218"-246"-274"-302" PORT, GROUP	5	—	MR	JA2/11
	3.O.3520	Spares for:— Bracket	1	DTD721		
	4.O.3520	ROLLER ASSEMBLY	3	—	MR	JA2/12
	4a.O.3520	Spares for:— Bush, oilite, CT419 x .29"	3	—		
	4b.O.3520	Roller	3	Oil Resisting		
28D/9133011	A25/2C	Attachments—Fairlead (1.O.3520)				
28M/1012015	AGS2001/C1/66	Bolt, 2 BA	3	—	C	
28W/9419402	SP13/C	Nut, 2 BA	3	—	C	
	3Z7600	Washer, 2 BA	3	—	C	
		Lever, at former 358, inboard for controls rods	1	DTD298 or 300	MR	JA2/13
4713	25Z7704	LEVER, AT FORMER 358, FOR CONTROL . . . RODS, GROUP	1	—	B	JA2/14
4714	CT51	Consisting of:— Bush, oilite	1	—	C	JA2/15
	25aZ7704	Lever	1	DTD298 or 300		
	1Z9498	LEVER, AT FORMER 358, OUTBOARD, . . . GROUP	1	—		JA2/16
4715	FBS54	Spares for:— Bush, oilite, .75 long	2	—	C	JA2/17
	7Z7737	Housing	1	DTD364		JA2/18
	10Z7737	Lever	2	DTD364	MR	

VULCAN Mk. 1

FUSELAGE
CREW'S NACELLE

Page JA. 3

Ref. No.	Part No.	Description	No. off	Matl. Spec.	Cl. of	Plate and Illust'n No.
					St. M.R.	
		BRAKE, PARKING INSTALLATION (30Z7704) (Cont'd)				
2476	3Z7704	ROD, CONNECTING, AT FORMER 358, ... INBOARD, GROUP	1	—	B	JA2/19
	4Z7704	ROD, CONNECTING, AT FORMER 358, ... OUTBOARD, GROUP	1	—	MR	JA2/20
28M/1007404	A27/JT	Spares for:— Nut, locking, at rod end	1	—	C	JA2/21
	25.O.3506	ROD, END, GROUP	1	—	MR	JA2/22
28R/4665592	CM3/16"B 25a.O.3506	Spares for:— Rod, end	1	—	B	
		Stud, 3/16" BSF	1	S1		
	44.O.3506	ROD, END, GROUP	1	—	MR	JA2/23
28R/4665592	CM3/16"B	Spares for:— Rod, end	1	—	B	
	6Z7704	ROD, CONNECTING, AFT OF FORMER ... 358 TO FORMER 344, OUTBOARD, GROUP	1	—	MR	JA2/24
	7Z7704	ROD, CONNECTING, AFT OF FORMER ... 344, OUTBOARD, GROUP	1	—	MR	JA2/25
28M/1007404	A27/JT	Spares for:— Nut, locking, at fork-end	1	—	C	JA2/21
	25.O.3506	ROD, END, GROUP	1	—	MR	JA2/22
28R/4665592	CM3/16"B 25a.O.3506	Spares for:— Rod, end	1	—	B	
		Stud, 3/16" BSF	1	S1		
28D/1214005	AS2504/7C	Attachments—Rods (3-4-6-7Z7704) Bolt, 2 BA	8	—	C	
28M/5808573	A27/CS	Nut, 2 BA	8	—	C	
28P/9527619	SP90/C7	Pin, split	8	—	C	
28W/9419402	SP13/C	Washer, 2 BA	8	—	C	
37J/9722704	52888	Seal, Gaco, for rods	1	—	C	JA2/26
	15D8481	Sleeve, sealing, for control rods at rear pressure bulkhead	1	—	MR	JA2/27
		BRAKE, PARKING, INSTALLATION (2Z7704) (See—Fuselage—Centre Section)				
		BRAKE, PARKING, PIPING FOR FOOT MOTOR (1Q1928) (See—Services—Hydraulics)				
		COAMING AND STRUCTURE, COCKPIT (9Z8946)				
	13Z8946	Spares for:— BRACKET, PLUG, GROUP (Mod. 805)	1	—		JA1/28
26FP/13611	7SS3160	Attachments—Plug Bracket (13Z8946) Bolt, monel metal, 2 BA	4	—	C	
28W/9419475	SP15/C	Washer, 2 BA	4	—	C	

FUSELAGE
CREW'S NACELLE

Ref. No.	Part No.	Description	No. off	Matl. Spec.	Cl. of St.	Plate and Illust'n No.
					M.R.	
		1 2 3 4				
		COAMING AND STRUCTURE, COCKPIT (9Z8946) (Cont'd.)				
	10Z9476	COAMING, PILOT'S PANEL, GROUP	1	—		JA1/29
		Spares for:—				
	7Z8943	CLIP, SPRING, PORT, INBOARD,	1	—		JA1/30
		INNER, GROUP				
	8Z8943	CLIP, SPRING, STARBOARD,	1	—		JA1/31
		INBOARD, INNER, GROUP				
9945	9Z8943	CLIP, SPRING, PORT, INBOARD,	1	—	C	JA1/32
		OUTER, GROUP				
	10Z8943	CLIP, SPRING, STARBOARD,	1	—	MR	JA1/33
		INBOARD, OUTER, GROUP				
9947	11Z8943	CLIP, SPRING, PORT, OUTBOARD,	1	—	C	JA1/34
		OUTER, GROUP				
9948	12Z8943	CLIP, SPRING, STARBOARD, OUT-	1	—	C	JA1/35
		BOARD, OUTER, GROUP				
9949	13Z8943	CLIP, SPRING, PORT, OUTBOARD,	1	—	C	JA1/36
		INNER, GROUP				
	14Z8943	CLIP, SPRING, STARBOARD, OUT-	1	—	MR	JA1/37
		BOARD, INNER, GROUP				
		Spares for:—				
	37Z8781	SPRING, TOGGLE, GROUP	1	—		
		COVER, R.A.T. HANDLE ON				JA1/38
		COAMING (1Z9970)				
		Spares for:—				
1433761	6Z9970	BRACKET, CLAMPING, GROUP	1	—	C	JA1/39
	14Z9970	Insulating, fibreglass	1	Y227		
	3aZ9970	Plate, base, 20G x 2" x 8"	1	S520		
		PLATE, COVER, GROUP	1	—		JA1/40
	7Z9970	Seal, rubber, 1/8" thick	1	Sponge Rubber		JA1/41
		Seal, rubber, 1/16" x 6" x 3"	1	Rubber		JA1/42
	8Z9970	Strip, retaining, 20G x .7" x 2.5" L.H. .	1	L72		JA1/43
	9Z9970	Strip, retaining, 20G x .7" x 2.5" R.H. .	1	L72		JA1/44
		Attachments for cover (1Z9970)				
28D/1213053	AS4566/2C	Bolt, mush. head, 2 BA	4	L65	C	
28D/1213054	AS4566/3C	Bolt, mush. head, 2 BA	2	L65	C	
	7Z9476	Covering, black neoprene, flock covered, .	1	Y360/B5		
		fibreglass coated one side only,				
		6' 6" x 2' 6"				
	3Z8943	Padding, rubber, to coaming, inboard	1	Sponge		
		port and starboard, 4' 5" long				
		x 1/2" thick				
	4Z8943	Padding, rubber, to coaming outboard, ..	1	Sponge		
		port and starboard, 24" long x				
		1/8" thick				

FUSELAGE
CREW'S NACELLE

Ref. No.	Part No.	Description	No. off	Mati. Spec.	Cl. of St.	Plate and Illust'n No.
					M.R.	
		1 2 3 4				
COAMING, PILOT'S PANEL (10Z0476) (Cont'd.)						
	14Z9476	Panel, access, centre, top (Mod. 980)	1	L72		JA1/45
28D/1010658	A25/1B	Attachments—Panel (14Z9476)				
28W/9419465	SP13/B	Bolt, 4 BA	3	—	C	
	5Z9476	Washer, 4 BA	3	—	C	
	6Z9476	Panel, detachable, port	1	L72		JA1/46
		Panel, detachable, starboard	1	L72		JA1/47
		Attachments, Panels (5 & 6Z9476)				
26FP/13610	6SS3160	Bolt, 2 BA	6	—	C	
28W/9419475	SP15/C	Washer, 2 BA	6	—	C	
	1Z8801	PANEL, FIRE WARNING, GROUP	1	—		JA1/48
		Spares for:—				
10196	4Z8801	BOX, COVER, GROUP	1	—	C	JA1/49
		Attachments—Box Cover (4Z8801)				
28D/1213053	AS4566/2C	Bolt, 2 BA	2	—	C	
28M/9148806	AGS2002/C2	Nut, thin, 2 BA	2	—	C	
	AS2809/4/013	Tube, distance	2	—		
28W/9419475	SP15/C	Washer, thin, 2 BA	2	—	C	
28W/9419404	SP16/C	Washer, thick, 2 BA	2	—	C	
	3Z8801	Spring	2	—		HA1/50
	30Z8946	Disc, luminous (Pre-Mod. 2154)	4	—	MR	JA1/51
5L/9951271	—	Filament, fire warning	4	—	C	JA1/52
5CW/4222	—	Guard, locking, at Fuel Switch	4	—	C	JA1/53
LIGHTING, U/V AND RED FLOOD INSTRUMENT, IN COCKPIT (V9575) (See—Electrical Installation—Crew's Nacelle)						
6116053	SAUNDERS ROE LTD. SR2—1816 N.S.F.	Marker, Betalite (Mod. 2154)	4	—	C	
5CW/4400082	8375/B104	Switch, fuel, low pressure	1	--	B	JA1/54
	21Z8946	Switch, fire warning	1	—	MR	JA1/55
10985	22Z8946	Switch, fire warning	1	—	A	JA1/56
10986	23Z8946	Switch, fire warning	1	—	A	JA1/57
	24Z8946	Switch, fire warning	1	—	MR	JA1/58
CONSOLE, PORT (1V9145) (See—Electrical Installation)						
CONSOLE, STARBOARD (1V9043) (See—Electrical Installation)						

FUSELAGE
CREW'S NACELLE

Ref. No.	Part No.	Description	No. off	Matl. Spec.	Cl. of St.	Plate and Illust'n No.
					M.R.	
		1 2 3 4				
		CONSOLE, RETRACTABLE, CENTRE (1S2368)				
		Spares for:—				
		CONSOLE, RETRACTABLE (1S2373)				
		Spares for:—				
28D/8304	AS1242/6B	Bolt, at handle	1	—	C	
6TB/4345187	—	Controller, pilot's	1	—	A	JA1/59
5L/9951271	—	Filament	4	—	C	JA1/60
	1V12060	LOOM, CABLE, GROUP (Mod. 1509)	1	—		
	17S2047	Nut, special, for bolt AS1248/6B at handle	1	S1		
		PANEL, CENTRE, CONSOLE (1S2405) (See—Equipment—Aircraft—Instrument Panels)				
		PANEL, REAR, CENTRE CONSOLE				
		(1S2491) (See—Equipment—Aircraft—Instrument Panels)				
		STRUCTURE, CONSOLE (2S2373)				
		Spares for:—				
	6S2047	CABLE, GROUP	1	—	MR	JA2/61
		Spares for:—				
	7S2047	Spring	1	—		JA2/62
5K/9717191	SP40/A20	Grommet, rubber	2	—	C	
	11S2047	Handle	1	L33	MR	JA2/63
	10S2047	Trunnion, for cable	1	S96		JA2/64
		STRUCTURE, GROUP (1S2371)				
		Spares for:—				
1510182	30S2049	HOUSING, OILITE BUSH, PORT, GROUP	1	—	C	JA2/65
1510183	31S2049	HOUSING, OILITE BUSH, STARBOARD, GROUP	1	—	C	JA2/66
		Spares for:—				
1433253	17bS1983	Bush, oilite	2	—	C	JA2/67
1505441	30aS2049	Housing	2	L65		
	56S2049	Stop, red rubber	2	—		JA1/68
6TB/1623	—	Switch, auto-pilot unit (Pre-Mod. 1204)	1	—	A	
6TB/4545449	—	Switch, pilot's selector, type B (Mod. 1204)	1	—	A	JA1/69
5CW/4400082	WESTON MFG. TS101	Switch, emergency trim, Mk. 14	1	—	A	JA1/70
28W/9137412	B & C 1904	Washer, spring, at selector	4	—	C	

VULCAN Mk. 1

FUSELAGE
CREW'S NACELLE

Page JA. 7

Ref. No.	Part No.	Description	No. off	Mati. Spec.	Cl. of	Plate and Illust'n No.
					St. M.R.	
		1 2 3 4				
		CONSOLE, RETRACTABLE, CENTRE (1S2368) (Cont'd)				
	3S2368	COVER, UNDER PILOT'S FLOOR, GROUP	1	—		JA2/71
		Spares for:—				
28FP/1013258	A4/35	Fastener, dzus	8	—	C	
28FP/9430915	GA4/250	Grommet, dzus	8	—	C	
3605	1S2048	DAMPER, GROUP	1	—	B	JA2/72
		Spares for:—				
	7S2048	Bearing	1	L65		JA2/73
	5S2048	Bolt, special	1	H.T.S.		JA2/74
	3S2048	COVER, GROUP	1	—		JA2/75
	G. ANGUS C087	Packing, cup	1	—		JA2/76
	2S2048	ROD, SLIDE, GROUP	1	—		JA2/77
	GACO R110	Seal, "O" ring	1	—		JA2/78
3606	4S2048	Spring	1	—	C	JA2/79
	5SS4188	Pin, taper, at bearing tube	2	H.T.S.	MR	JA2/80
	3S2046	Stop, at bearing tube	1	L65		JA2/81
	5S2046	Stop, on pilot's floor	2	BS668		JA2/82
	2S2046	Tube bearing	1	T45		JA2/83
28W/1052068	AS1903/C8	Washer, saddle, for taper pins	2	—	C	JA2/83A
		CONTAINER, PILOT'S SANITARY (Z7904)				
		Spares for:—				
	5Z9704	Clip, spring	1	—	MR	
28E/9128961	AGS605/1	Clip, hose	1	—	C	
27H/4605582	—	Container, urine, Mk. 2	1	—	B	JA1/84
27H/4605567	—	Funnel	1	—	C	
		CONTAINER, CREW'S SANITARY, AT NAVIGATOR'S TABLE (Z9699)				
		Spares for:—				
27H/4605566	—	Clip	3	—	C	
27H/4605582	—	Container, urine, Mk. 2	3	—	B	JA4/85
27H/4605567	—	Funnel	3	—	C	
		CONTROLS, ENGINE (10003948) (See—Controls—Engine—In Crew's Nacelle)				
		CONTROLS, FLYING, CREW'S NACELLE (1R4206) (See—Controls—Flying—Crew's Nacelle)				
		COVERING, FLOOR (68Z9488) (See—Equipment—Aircraft—Trimming and Floor Covering)				

FUSELAGE
CREW'S NACELLE

Ref. No.	Part No.	Description	No. off	Matl. Spec.	Cl. of	Plate and Illust'n No.		
					St. M.R.			
		1 2 3 4						
28D/9137409	AS1246/2C	COVER, ENTRANCE DOOR PNEUMATICS (1D12158) (Mod. 1222) Spares for:—						
		DOOR, PNEUMATIC COVER PLATE AND RAM ATTACHMENT, GROUP Spares for:—	1	—		JA8/86		
		Bracket	1	L83	MR	JA8/87		
		Spring	1	S513		JA8/88		
		Attachments for door (2D12158)						
		Bolt	8	—	C			
		CURTAINS, PRESSURE CABIN WINDOW'S, PORT AND STARBOARD (1 & 2Z9775) (See—Equipment Aircraft—Curtains and Visors)						
		CURTAINS, AT CREW'S STATION PORT AND STARBOARD (Z9936) (Z9711) (See—Equipment Aircraft—Curtains and Visors)						
		DINGHY STOWAGE AND RELEASE Mk. 3, REAR OF CANOPY (1Z7578) (See—Equipment Aircraft—Dinghy Installation)						
		ELECTRICAL EQUIPMENT (V9592) (See—Electrical Installation—Crew's Nacelle)						
4380	8Z7365	EQUIPMENT AT NAVIGATOR'S STATION (2Z9595) (Pre-Mod. 1177) (1Z10500) (Mod. 1177) Spares for:—						
		CABLE, SAFETY, PORT RADAR CRATE .. TO REAR PRESSURE BULKHEAD, 10" LONG, GROUP (Pre-Mod. 748)	1	—	B			
		14202	6Z9595	CABLE, SAFETY, PORT RADAR CRATE .. TO REAR PRESSURE BULKHEAD 10" LONG, GROUP (Mod. 748)	1	—	B	JA3/89
				5Z7365	CABLE, SAFETY, PORT RADAR CRATE .. TO REAR PRESSURE BULKHEAD, 7.75" LONG, GROUP (Pre-Mod. 748)	1	—	
		14203	7Z9595	CABLE, SAFETY, PORT RADAR CRATE .. TO REAR PRESSURE BULKHEAD, 7.75" LONG, GROUP (Mod. 748)	1	—	B	JA3/90
				9Z7365	CABLE, SAFETY, CONTROL UNIT TO REAR, PRESSURE BULKHEAD, GROUP	1	—	MR
			10Z7365	CABLE, SAFETY, INDICATING UNIT TO REAR PRESSURE BULKHEAD, GROUP	1	—	MR	JA3/92
			11Z7365	CABLE, CHECK, RADAR PLOTTER'S PANEL, R.H. AND L.H., GROUP	2	—	MR	JA3/93
		10919	23Z7365	Cover, emergency door open switch	1	—	C	JA4/94

FUSELAGE
CREW'S NACELLE

Ref. No.	Part No.	Description	No. off	Matl. Spec.	Cl. of St.	Plate and illust'n No.
					M.R.	
		EQUIPMENT AT NAVIGATOR'S STATION (2Z9595) (Cont'd.)				
	1Z9691	CRATE, RADAR, PORT, GROUP (Pre-Mod. 748)	1	—		
	28Z9691	CRATE, RADAR, PORT, GROUP (Mod. 748)	1	—		JA3/95
	MARCONI 14183/C	Spares for:—				
		Lock, device assy. RID1004/A/C	5	—		JA3/96
10AJ/147	—	Mounting, A/V rear	3	—	B	JA3/97
10AJ/148	—	Mounting, A/V forward	3	—	B	JA3/98
	1Z7371	CRATE, RADAR, STARBOARD, GROUP Spares for:—	1	—		JA3/99
10AJ/147	—	Mounting, A/V rear	3	—	B	JA3/100
10AJ/150	—	Mounting, A/V forward	3	—	B	JA3/101
4390	6Z7371	SHIELD LIGHT, GROUP (Item 6Z7371 to be used when stocks of item 5Z7371 Ref. 26DC/4390 are exhausted)	1	—	C	JA3/102
4384	1Z7519	TRAY, MOUNTING R.H., GROUP	1	—	B	JA3/103
4385	1Z7520	TRAY, MOUNTING CENTRE, GROUP	1	—	B	JA3/104
	1Z7521	TRAY, MOUNTING L.H., GROUP	1	—		JA3/105
	16Z7519	Spares for:—				
	H. TERRY 80/000	Box special for (1Z7519)	1	S96	MR	JA3/106
28E/1008744		Clip, spring (for items 1Z7520 and 1Z7521)	1	—	C	JA3/107
4388	12Z7519	Nut, knurled	2	S1	MR	JA3/108
	13Z7519	Pin	2	S1	C	JA3/109
	14Z7519	Screw, special	2	S1	MR	JA3/110
	23SS4204	Grommet	1	—		
	1SS4701	Guard, switch (Make from 5CW/4222)	1	—		
22608	19Z7365	HINGE, RADAR, PANEL, GROUP	1	—	C	JA3/111
22609	20Z7365	HINGE, RADAR, PANEL, GROUP	1	—	C	JA3/112
	19aZ7365	Spares for:—				
		Hinge (Undrilled made from AS1879 18.335" long)	1	L72		
	20aZ7365	Hinge (Undrilled made from AS1879 18.582" long)	1	—		
6A/409	—	Holder, A.S.I. Corrector Card	1	—		
	24Z9595	Insulator at emergency door open switch ..	1	BS2966/3B		JA3/113
	E.K. COLE	Knob at dimmer switches	3	—	C	JA4/114
10H/0970175	—	LAMP, ABANDON AIRCRAFT WARNING ... (1V9122) (Mod. 517)				JA4/115
		Spares for:—				
5L/9951254	—	Filament	4	—	B	JA4/116
5K/9560937	SP40/A8	Grommet, rubber	1	—	C	

FUSELAGE
CREW'S NACELLE

Ref. No.	Part No.	Description	No. off	Matl. Spec.	Cl. of St.	Plate and Illust'n No.
					M.R.	
		1 2 3 4				
		LAMP, ABANDON AIRCRAFT WARNING ... (1V9122) (Cont'd.)	—			
	3V9122	HOLDER, LAMP, GROUP	1	—		JA4/117
	2V9122	HOLDER, LAMP, GROUP	1	—		JA4/118
	6V9122	LINK, CABLE 1" LONG, GROUP	1	—		
	7V9122	LINK, CABLE, 5" LONG, GROUP	1	—		
	4V9122	PLATE, SIGN, GROUP	1	—		JA4/119
		LAMPS, CHARTBOARD AT NAVIGATOR'S STATION Z7724 (Pre-Mod. 756)				
		LAMPS, CHARTBOARD AT NAVIGATOR'S STATION (Z10864) (Mod. 756)				JA4/120
		Spares for:—				
5X/6200370	1V5650	Block, terminal (Mod. 756)	3	—	C	
		Bush, ring lock (Mod. 756)	3	—	C	
5L/9951273	—	Filament (Mod. 756)	3	—	C	JA4/121
5CX/1982601	—	Lamp, Chartboard Type "D" (Pre-Mod. 756)	—	—		
12610	1V12224	LAMP, CHARTBOARD, GROUP	3	—	B	JA4/122
		(Mod. 756)				
		Spares for:—				
12612	11V9814	ARM, FLEXIBLE, GROUP	1	—	C	JA4/123
5X/4491486	10V5650	Ferrule	1	—	C	
5CX/1982600	—	Filter, yellow	1	—	C	JA4/128
5CX/4330153	—	Ring, bezel	1	—	B	JA4/125
	2V9591	SHADE, LAMP, GROUP	1	—	MR	JA4/126
5CX/4330154	—	Socket	1	—	C	JA4/127
	10V9591	Wire, unifersil 20 x 2' 6" long	1	—		
7357	18Z7385	LINK, EXTENSION, FOR CABLE, GROUP ...	1	—	C	JA3/128
	PLESSEY					
10AK/ 0970175	Z970183	Mounting metal, at dimmer switches	3	—	C	JA4/129
		MOUNTING STRUCTURE FOR CONTROL UNIT AND INDICATOR (1T5866) (Mod. 1631)				
		Spares for:—				
		MOUNTING WITH CONTROL UNIT AND INDICATOR (1T5859)				
		Spares for:—				
	5T5859	PANEL, C/W INSTRUMENTS, GROUP ..				JA4/131
		Spares for:—				
5X/6200370	1V5650	Block, terminal	1	—	C	
5X/4491486	10V5650	Ferrule	4	—	C	
5L/9959118	—	Filament	2	—	C	JA4/132
	3SS5302	Grommet	2	—		
5CX/1143214	—	Holder, bridge lamp	1	—	B	JA4/133
10Q/16355	—	Indicator, type 9547	1	—	A	JA4/134
	2T5859	PANEL, GROUP	1	—		JA4/135
		Spares for:—				
28FP/ 9492814	SX/560	Spring	4	—	C	

VULCAN Mk. 2

FUSELAGE
CREW'S NACELLE

Page JA. 11

Ref. No.	Part No.	Description	No. off	Matl. Spec.	Cl. of St.	Plate and Illust'n No.	
					M.R.		
		1	2	3	4		
5CW/6209279 10L/16310	—	PANEL, C/W INSTRUMENTS (5T5859) (Cont'd)					
	—	Switch	1	—	B	JA4/136	
	—	Unit, control	1	—	A	JA4/137	
	3T5859	PLATE, SIDE, GROUP	1	—			
	4T5859	PLATE, SIDE, GROUP	1	—			
		MOUNTING, 69P, VENTILATED SUIT CONTROL PANEL (V9158) (See Electrics—Crew's Nacelle)					
		PANEL, NAVIGATOR'S ROOF, INSTALLATION OF EQUIPMENT (Z10057) (Mod. 748)					
		Spares for:—					
10J/13152	—	Controller, loop, type 1342	1	—	A	JA4/138	
10L/16073	—	Controller, receiver, type 1274	1	—	A	JA4/139	
6D/2237	—	Gauge, oxygen, Mk. 4	2	—	A	JA4/140	
6D/2383	—	Regulator, oxygen, Mk. 21B (Mod. 1378) ..	3	—	A	JA4/141	
10L/16320	—	Unit, control, type 7681 (Pre-Mod. 2304) ..	1	—	A	JA4/142	
9D/1566	—	Unit, variable A/S (Service fit)	1	—	A	JA4/143	
10L/16836	—	Unit, Control type 7681B (Mod. 2304)	1	—			
		PANEL, NAVIGATOR'S STATION (Z10500) (Mod. 2349) (AIRCRAFT WITHOUT BLUE STEEL)					
		Spares for:—					
	21Z11999 or 23Z11999	PANEL, GROUP (A/c without Mod. 2024) .	1	—			
		PANEL, GROUP (A/c with Mod. 2024) ... (Mod. 2304, Part "B")	1	—			
		Spares for:—					
	PC3-1/2	Clip	2	—			
	PC3-1/2/38	Clip	2	—			
5K/2207951	SP.95/A10	Grommet	1	—	C		
10H/19460	—	Plug	1	—	C		
	PS3-1/2	Spring	2	—			
		PANEL, NAVIAGTOR'S, PORT (1S2413) (1S3710 and 1S3711) (See Equipment, Aircraft—Instrument Panels)					
		PANEL, NAVIGATOR'S INTERCOMM. (1S2394) (See Equipment, Aircraft—Instrument Panels)					
		PANEL, NAVIGATOR'S RADAR (1S2411) (See Equipment, Aircraft—Instrument Panels)					
		PANEL, NAVIGATOR'S PLOTTER (S2360) (See Equipment, Aircraft—Instrument Panels)					
		PANEL, SWITCH, AT NAVIGATOR'S STATION (1S2655) (Mod. 1218) (S3321) (Mod. 2256) (See Equipment, Aircraft—Instrument Panels)					
		PANEL, 12P, RADIO SUPPLY (1S2684) (See Equipment, Aircraft—Instrument Panels)					

FUSELAGE
CREW'S NACELLE

Ref. No.	Part No.	Description	No. off	Mati. Spec.	Cl. of St.	Plate and Illust'n No.
					M.R.	
		1 2 3 4				
		EQUIPMENT AT NAVIGATOR'S STATION (2Z9595) (Cont'd.)				
		REGULATOR, OXYGEN, FOR 2ND NAVIGATOR (7Z7523) (Mod. 687) (Pre-Mod. 748) Spares for:—				
	2Z7523	GUSSET, GROUP	1	—		
	3Z7523	GUSSET, GROUP	1	—		
6D/2383	—	Regulator, oxygen, Mk. 21B (Mod. 1378)	1	—	A	
		SEATS, CREW'S (N3291) (Mod. 1696) (See Equipment, Aircraft—Seats and fittings)				
		STRUCTURE, AT NAVIGATOR'S POSITION (1Z9686) (Pre-Mod. 1177) Spares for:—				
		TOP, NAVIGATOR'S TABLE				JA3/144
		(39Z9682) (Mod. 1010) Spares for:—				
22621	14Z9682	Covering, table top, 1/8" thick black lino x 6" x 14.5" long	1	—	C	
	41Z9682	Covering, 1/8" thick black lino x 8" x 8.5" long	—	—		
	50Z9682	Covering, 1/8" thick black lino .75" x 12.5" long	1	—		
	123Z7367	Covering, 1/8" thick black lino c 7" x 12.5" long	1	—		
	172Z7367	Covering, 1/8" thick black line x 9.4" x 14.75" long (Make from 26DC/22621)	1	—		
	93SS6005	Label, periscope	1	L50		JA4/145
	364SS6004	Label, vent suit	1	L59		
	124Z7367	LATCH, SLIDING PANEL, GROUP	2	—	MR	JA4/146
22616	1Z10329	LID, NAVIGATOR'S TABLE, CENTRE TOP, GROUP	1	—	C	JA3/147
		Spares for:—				
	7Z10329	Covering, 1/8" thick black lino x 14.6" x 14.83" long (Make from 26DC/22621)	1	—		
	8Z10329	Hinge (Make from 28N/10786 x 14.48" long)	1	L72		JA3/148
22619	1Z10328	LID, NAVIGATOR'S TABLE, CENTRE LOWER, GROUP	1	—	C	JA3/149
		Spares for:—				
	9Z10328	Base, fibre glass, 1/32" x 12.88" x 13.37"	1	—		
	11Z10328	Hinge (Make from 28B/10786 x 14.53" long)	1	L72		JA3/150
	8Z10328	Perspex, 1/16" x 11.4" x 12.12"	1	DTD864		JA3/151

FUSELAGE
CREW'S NACELLE

Ref. No.	Part No.	Description	No. off	Matl. Spec.	Cl. of	Plate and Illust'n No.
					St. M.R.	
		1 2 3 4				
		LID, NAVIGATOR'S TABLE, CENTRE LOWER (1Z10328) (Cont'd)				
	6Z10328	SECTION, ZED, PERSPEX RETAINING, GROUP	1	—		JA3/152
28FP/9434076	AJ3/30	Spares for:— Fastener, dzus	2	—	C	
28FP/9434075	GA3/175	Grommet, dzus	2	—	C	
28FP/9434091	S3/175	Spring	2	—	C	
22620	1Z10330	LID, NAVIGATOR'S TABLE, PORT, . . . INNER, GROUP	1	—	C	JA3/153
	6Z10330	Spares for:— Covering, 1/8" thick black lino x 6.57" x 14.63" long	1	—		
	11Z10330	Hinge (Make from 28N/9511950 x . . . 6.19" long)	1	L72	LM	JA3/154
	1Z8742	LID, NAVIGATOR'S TABLE, PORT . . . OUTER, GROUP	1	—	MR	JA3/155
	6Z8742	Spares for:— Covering, 1/8" thick black lino x 8.35" x 14.65" long	1	—		
	10Z8742	Hinge (Make from 28N/9511950 x . . . 8.5" long)	1	—	LM	JA3/156
	1Z8743	LID, NAVIGATOR'S TABLE, PORT, . . . CENTRE, GROUP	1	—	MR	JA3/157
	15V9592	Spares for:— Chart, alternator	1	—		JA3/158
	16V9592	Cover, alternator chart	1	—		JA3/159
	19Z8743	Covering, 1/8" thick black lino x 6.5" x 9" long	1	—		
	20Z8743	Covering, 1/8" thick black lino x 6.5" x 8.5" long	1	—		
	AS1878/40	Hinge (Make from 28N/9511950 x 4" . long)	1	L72	LM	JA3/160
	AS1878/65	Hinge (Make from 28N/9511950 x 6.5" long)	1	L72	LM	JA3/161
	21Z8743	LID, FRONT, GROUP	1	—		JA3/162
	22Z8743	LID, REAR, GROUP	1	—		JA3/163
12182	25Z8743	Link	1	S3		
	26Z8743	Link	1	S3	C	
4726	1Z8766	LID, NAVIGATOR'S, STARBOARD, . . . GROUP	1	—	B	JA3/164
	21Z8766	Spares for:— Covering, 1/8" thick black lino x 14.625" x 14.65" (Make from 26DC/2261)	1	—		
	AS1878/60	Hinge, L.H. (Make from 28N/9511950 x 6" long)	1	L72	LM	JA3/165
	AS1878/35	Hinge, R.H. (Make from 28N/9511950 x 3.5" long)	1	L72	LM	JA3/166

FUSELAGE
CREW'S NACELLE

Ref. No.	Part No.	Description	No. off	Matl. Spec.	Cl. of	Plate and Illust'n No.
					St. M.R.	
		1 2 3 4				
		TOP, NAVIGATOR'S TABLE (39Z9682) (Cont'd)				
	128599	PANEL, SLIDING, NAVIGATOR'S TABLE, GROUP	1	—	MR	JA3/167
	928599	Spares for:— Covering, 1/8" thick black lino x 12.5" x 12.65"	1	—	MR	
17046	5129682	Tube, distance, at top members hat in . . . well	4	L65 on DTD130	C	
	173Z7367	Washer, special, at links, 22G x 5/8" x . . 3/16" dia. hole	2	S3		
	THORN					
5CW/4405520	—	Switch, dimmer (Pre-Mod. 748)	1	—	B	
5CW/11505	80/10/0941	Switch, dimmer (Mod. 748)	1	—	B	JA4/168
5CW/4405514	—	Switch, dimmer (Pre-Mod. 748)	1	—	B	
5CW/11519	80/10/1755	Switch, dimmer (Mod. 748)	1	—	B	JA4/169
	22Z7365	Switch (Made from N.F.S.8375/B104)	1	—		JA4/170
5CW/6209280	—	Switch, anti-dazzle	1	—	B	JA4/171
	DOWTY					
5CW/4408119	AS10512/C3	Switch, emergency door (Mod. 2295)	1	—	B	JA4/171A
5CW/4405561	—	Transfer, "Bright"	1	—	C	
		TRAY, MOUNTING FOR INDICATOR UNIT (1T4712)	—	—	—	JA4/172
		Spares for:—				
10B/17446	—	Bolt, quick release	2	—	C	JA4/173
	12T4712	Pad, rubber vibrating (GACO)	2	BS45		JA4/174
	9T4712	Washer, packing, quick release box	4	DTD130		JA4/175
10A/17930	—	Washer, check, at indicator unit	4	—	C	
		EXTINGUISHER, FIRE, AT CREW'S SEAT PORT SIDE (1Z8592—Pre Mod. 1943) (1Z11325—Mod. 1493) (See Services—Fire Extinguisher System)			REF	
		EXTINGUISHER, FIRE, AT CREW'S POSITION (1Z11315—Mod. 1696) (See Services—Fire Extinguisher System)			REF	
		EXTINGUISHER, FIRE, AT 1ST AND 2ND PILOT'S POSITION (1Z7528) (See Services—Fire Extinguisher System)			REF	
		EXTINGUISHER, FIRE, UNDER PILOT'S FLOOR, PORT SIDE (1Z9688) (See Services—Fire Extinguisher System)			REF	
		GYRO'S, PITCH AND YAW ON SHELF UNDER PILOT'S FLOOR (S2398) (See Controls—Auto-stabiliser)			REF	

VULCAN Mk. 2

FUSELAGE
CREW'S NACELLE

Page JA. 15

Ref. No.	Part No.	Description	No. off	Matl. Spec.	Cl. of	Plate and Illust'n No.
					St. M.R.	
		1 2 3 4				
		HANDLES, EMERGENCY AT 1ST AND 2ND PILOT'S SEATS AND PILOT'S FLOOR, PORT (Z98595) (Z7524) Spares for:—				
	2Z7524	HANDLE, GROUP	3	—		JA2/176
		Attachments—Handle (2Z7524)				
28D/1011029	A25/1E	Bolt, 1/4" BSF, pilot's floor	4	—	C	
28D/1011030	A25/2E	Bolt, 1/4" BSF, pilot's seats	4	—	C	
28M/9480017	AGS2001/E1	Nut, 1/4" BSF	4	—	C	
28W/9419405	SP15/E	Washer, 1/4" BSF	4	—	C	
		HANDGRIP AT PILOT'S FLOOR STBD., GROUP (4Z7524) (Mod. 635) Spares for:—				
	3Z7524	Bracket	1	DTD130		
	1Z9986	HANDGRIP, GROUP			MR	JA1/177
		Spares for:—				
	4Z9985	Bush, retaining	1	—		
	5Z9986	Handgrip (Made from Player Mitchel & Breedon, Part No. 32472)	1	—		
9811	3Z9985	Stud, special	1	S94 or 95	C	
		Attachments—for Bracket (3Z7524) and Handgrip (1Z9986)				
28D/1011030	A25/2E	Bolt, 1/4" BSF	3	—		
28M/9480017	AGS2001/E1	Nut, 1/4" BSF	4	—		
28W/9419405	SP15/E	Washer, 1/4" BSF	4	—		
		HANDLE ACCESS ON FRONT PRESSURE DOME (Z8604) Spares for:—				
6167	1Z8613	HANDLE, GROUP	1	—	C	JA7/178
		Attachments—Handle (1Z8613)				
6166	2Z8604	Bolt, special	1	H.T.S.		JA7/179
28M/1012015	AGS2001/C1/66	Nut, 2 BA	1	—	C	
28W/9419402	SP13/C	Washer	1	—	C	
		HANDGRIPS, AT CREW'S STATION (Z9987) (Mod. 635) Spares for:—				
	1Z9985	HANDGRIPS, ON FORWARD FACE OF FORMERS 260" AND 288", GROUP	1	—	MR	JA5/180
	7Z9985	HANDGRIPS, ON AFT FACE OF FORMER 260", GROUP (Mod. 788)	1	—	B	JA5/181
		Spares for:—				
	4Z9985	Bush, retaining	1	L65		
	5Z9985	Handgrip (Made from Player Mitchel & Breedon Part No. 32472)	1	—		
9809	2Z9985	Stud, special (Use on 1Z9985)	1	S94 or 95		
	6Z9985	Stud, special (Use on 7Z9985)	1	S94 or 95		
4376	1Z7913	HARNESSES, NAVIGATOR'S AT PERISCOPE SEXTANT STATION, PORT, GROUP	1	—	A	JA3/182

FUSELAGE
CREW'S NACELLE

Ref. No.	Part No.	Description	No. off	Mati. Spec.	Cl. of St.	Plate and Illust'n No.
					M.R.	
		1 2 3 4				
4377	2Z7913	HARNES, NAVIGATOR'S AT PERISCOPE ... SEXTANT STATION, STARBOARD, GROUP	—	—	A	JA3/183
	1Z7914	Spares for:— BELT, NAVIGATOR'S HARNES, GROUP ..	—	—		JA3/184
	5Z7914	Spares for:— CLIP, SPRING AT STRAP END, GROUP ..	—	—		JA3/185
		HEAT INSULATION, CREW'S NACELLE (1Z9721) (See Equipment—Aircraft—Fireproofing and Soundproofing)	—	—		
		INSTALLATION, G.P.1 Mk. 6 COOLING SYSTEM (Z10470) (See Services—Cooling System)	—	—		
		INSTALLATION, GROUND SPEED RESOLVER, COOLING SYSTEM (Z10471) (See Services—Cooling System)	—	—		
		JETTISON MECHANICAL FOR SPECIAL STORE (1Z9701)	—	—		
21643	12Z9701	Spares for:— BEARING FOR RODS AT REAR PRESSURE BULKHEAD, GROUP	—	—	C	JA5/186
	11Z9701 GLACIER 06DU08	Spares for:— Bracket, bearing	1	L65		JA5/187
		Bearing	1	—	MR	JA5/188
	15Z9701	BRACKET, PULLEY MOUNTING, GROUP ..	2	—		JA5/189
14160	20Z9701	CABLE, FORK END AND EYE END, GROUP	1	—	B	JA5/190
14161	21Z9701	CABLE WITH FORK ENDS, GROUP	1	—	B	JA5/191
14153	83Z9701	COVER HINGED MANUAL STORE RELEASE, GROUP	1	—	B	JA5/192
14705	89Z9701	COVER HINGED MANUAL STORE SAFETY LOCK REMOVAL, GROUP (Mod. 1219)	1	—	B	JA5/193
14158	13Z9701	Fairlead, half	4	BS2572	C	JA5/194
14159	14Z9701	Fairlead, half	4	BS2572	C	JA5/195
21640	87Z9701	HANDLE, RED, GROUP	1	—	C	JA5/196
21641	88Z9701 WILMOT BREEDON	HANDLE, BLACK AND YELLOW, GROUP ..	1	—	C	JA5/197
14706	7/1908	Lock, for covers	1	—	C	JA5/198
28R/1052624	AS103	Pulley, for cables	4	—	B	JA5/199
14156	10Z9701	Rod, at bearing, rear pressure, bulkhead	1	S1	C	JA5/200
14157	38Z9701	Rod, at bearing, rear pressure, bulkhead	1	S1	C	JA5/201
14708	91Z9701	Spacer, for lock	1	—	C	JA5/202
14709	92Z9701	Washer, tag, at lock	1	—	C	JA5/203

VULCAN Mk. 2

FUSELAGE
CREW'S NACELLE

Page JA. 17

Ref. No.	Part No.	Description	No. off	Matl. Spec.	Cl. of	Plate and Illust'n No.
					St. M.R.	
		1 2 3 4				
		LADDER, MAIN ENTRANCE (Z7917) (See Equipment—Aircraft—Ladders)				
		LIGHT, SEXTANT, LUBBER LINE, PORT AND STARBOARD (1 & 2Z9098) Spares for:—				
5X/6200370	1V5650	Block, terminal (Mod. 2374)	1	—	C	JA5/203A
5681	5Z9098	CLAMP, PORT, GROUP	1	—	C	JA5/204
5682	6Z9098	CLAMP, STARBOARD, GROUP	1	—	C	JA5/205
	843SS6002	Label, "Sextant"	1	L59		
	1849V7728	Label, TB.1849 (Mod. 2374)	1	—		
	1V8010	LIGHT, SEXTANT, PORT, GROUP	1	—		JA5/206
	2V8010	LIGHT, SEXTANT, STARBOARD, GROUP .	1	—		JA5/207
5684	3V8010	Spares for:— BRACKET, PORT, GROUP	1	—	C	JA5/208
5685	4V8010	BRACKET, STARBOARD, GROUP	1	—	C	JA5/209
5CX/4330056	—	Cover, terminal	1	—	C	JA5/210
5L/9951263	—	Filament	1	—	C	JA5/211
5CX/1085825	—	Holder, lamp	1	—	B	JA5/212
5CX/1057503	—	Screen, lamp	1	—	C	JA5/213
5683	7Z9098	SCREW, SPECIAL, GROUP	1	—	C	JA5/214
5X/4491488	15V5650	Socket (Mod. 2374)	1	—		JA5/214A
5679	4Z9098	STOWAGE, LAMP, PORT, GROUP	1	—	B	JA5/215
5680	8Z9098	STOWAGE, LAMP, STARBOARD, GROUP ..	1	—	B	JA5/216
		Spares for:—				
28E/9428426	TERRY 81/0	Clip	1	—	C	JA5/217
	3Z9098	SWITCH, ASSEMBLY, GROUP	1	—		JA5/218
		Spares for:—				
5CW/6209280	752SS6000	Label, "ON"	1	DTS213	MR	
	—	Switch	1	—	B	
		MOUNTING, COMPASS, PILOT'S, AT WINDSCREEN, PORT AND STARBOARD (Z8746) (V8941) (See Equipment—Aircraft—Compass)			REF	
		MOUNTING, OUTSIDE AIR TEMPERATURE PROBE (V13579) (Mod. 2020) Spares for:—				
28DU/9434472	AS173/2C	Bolt, No. 8 U.N.C. csk. hd.	6	—	C	JA11/219
	64SS4204	Bush, ring lock, insulated	1	—	MR	JA11/220
	RESEARCH & ENG. CONTROL					
	102U2K	Sensor, total temperature	1	—		JA11/221
	2aV13579	Ring, half	2	L72		
	2V13579	RING, HALF, GROUP	2	—		

FUSELAGE
CREW'S NACELLE

Ref. No.	Part No.	Description	No. off	Matl. Spec.	Cl. of	Plate and Illust'n No.
					St. M.R.	
		1 2 3 4				
		MOUNTING, SEXTANT, ON COCKPIT RAIL (Z7973) (See Equipment—Aircraft—Sextant Stowage and Mounting tray)				
		MOUNTING TEMPERATURE CONTROL UNITS, UNDER NAVIGATOR'S TABLE (1Z11267) (Mod. 1696) Spares for:—				
5CZ/4337689	PLESSEY 7CZ/107202	Controller, magnetic amplifier, type 5	2	—	A	JA3/222
		Attachments—Controller, Part No. 7CZ/107202				
28D/1011029	A25/1E	Bolt, 1/4" BSF	6	—	C	
28W/9418921	SP13/E	Washer, 1/4"	6	—	C	
	5Z11267	Plate, controller mounting	1	—		JA3/223
		Attachments—Plate, Part No. 5CZ11267				
28D/9436920	A25/1C	Bolt, 2 BA	6	—	C	
28W/9419402	SP13/C	Washer, 2 BA	6	—	C	
		MOUNTING, BOMBING SELECTOR SWITCH, AND CONTROL UNIT, NAVIGATOR'S TABLE (Z9694) (Mod. 517) Spares for:—				JA4/224
5X/6200370	1V5650	Block, terminal	1	—	C	
5CX/1143214	—	Bridge, type "C" (THORN)	1	—	B	JA4/225
	2235V7909	CABLE (F2235) TB298 TO DIMMER SWITCHES, GROUP	1	—		
5X/6621	10V5650	Ferrule	10	—	C	
5L/9959118	—	Filament	5	—	C	JA4/226
11422	2SS4204	Grommet	1	—	C	
5K/9483755	SP40/C4	Grommet	2	—	C	
11152	1V11506	Guard, selector switch (Mod. 1431)	1	L72	C	JA4/227
5CX/1143869	—	Holder, lamp	3	—	B	JA4/228
6A/6912	SMITHS XAD282	Selector, type "A"	1	—	A	JA4/229
5X/4491487	14V5650	Socket, double	2	—	C	
5X/4491488	15V5650	Socket, single	1	—	C	
5CW/4405516	—	Switch, dimmer, type "R"	1	—	B	JA4/230
		MOUNTING, M.S.C. DUST COVER STOWAGE, ON PORT CREW'S SEAT (Z9995) (Mod. 687) (Pre-Mod. 1801) Spares for:—				
	5Z9995	STOWAGE, M.S.C. DUST COVER, GROUP ..	1	—		JA3/231
		MOUNTING, PRESSURE CABIN PISTOL WITH SEALED MOUNTING (Z8483) (See Armament—Pyrotechnics)			REF	
		MOUNTING, DIMMER SWITCH ON COCKPIT RAIL (S2366) (See Electrics—Crew's Nacelle)			REF	
		MOUNTING, TAIL WARNING LIGHTS, TAIL BUMP INDICATOR (V13484, Mod. 1583) (T6663, Mod. 2057) Spares for:—				
	2V13484	BRACKET, MOUNTING, GROUP	1	—		JA1/232
5L/9951273	—	Filament	2	—	C	JA1/233
5CX/1085815	—	Light, warning	2	—	B	JA1/234

VULCAN Mk. 2

FUSELAGE
CREW'S NACELLE

Page JA. 19

Ref. No.	Part No.	Description	No. off	Matl. Spec.	Cl. of St.	Plate and Illust'n No.
					M.R.	
		<p>MOUNTING, TIMING UNIT AND R.A.E. RECORDER, UNDER PILOT'S FLOOR (T4292, Sheet 3) (See Radio and Radar Installation)</p> <p>OXYGEN INSTALLATION (Z9197) (See Services—Oxygen system)</p> <p>PANEL, AUTO-STABILISER (S2038) (See Controls—Auto-stabiliser)</p> <p>PANEL, FUEL CONTENTS, BOMB BAY TANK (1S2395) (See Equipment—Aircraft—Instrument Panels)</p> <p>PANEL, LAMP AND SWITCH, U/V AND COCKPIT LIGHTING (S2369) (See Electrics—Crew's Nacelle)</p> <p>PANEL, MOUNTING, MACH. UNIT (S2337) (See Services—Air speed Indicator)</p> <p>PANEL, SELECTOR, FIN AND WING DE-ICING (1V6984) (See Equipment—Aircraft—Instrument Panels)</p> <p>PANEL, PILOT'S INSTRUMENT (16S2304) (Mod. 2180) (See Equipment—Aircraft—Instrument Panels)</p> <p>PERISCOPE INSTALLATION, AT NAVIGATOR'S STATION (Z8683) (See Equipment—Aircraft Periscope Installation)</p> <p>PNEUMATIC SERVICES (Q1874) (See Services—Pneumatics)</p> <p>PNEUMATICS, N.B.S. Mk. 1A AND H.2.S SCANNER (2Q2258) (See Services—Pneumatics)</p> <p>PRESSURISATION, CREW'S NACELLE (Z7635) (See Services—Air Conditioning)</p> <p>RADIO AND RADAR EQUIPMENT (T4292) (See Radio and Radar Installation)</p> <p>RAM AIR TURBINE CONTROL (Z9642) (See Controls—Ram Air Turbine)</p> <p>REFUELLING, FLIGHT, PORT AND STARBOARD (72P3161 AND 2P3161) (See Services—Flight Refuelling)</p>				

FUSELAGE
CREW'S NACELLE

Ref. No.	Part No.	Description	No. off	Matl. Spec.	Cl. of St.	Plate and Illust'n No.
					M.R.	
		1 2 3 4				
		SEAL, DOOR AND CANOPY INFLATION (25Q1872) (See Services—Pneumatic)				
		SEAT, 1ST PILOT'S (1N1433) SEAT, 2ND PILOT'S (2N1433) (See Equipment—Aircraft—Seats and Fittings)				
		SCREEN, ANTI-FLASH AT BOMB AIMER'S WINDOW (1Z9770) (See Equipment—Aircraft—Curtains and Visors)				
		SCREEN, ANTI-FLASH, AT WINDSCREEN (Z9782) (See Equipment—Aircraft, Curtains and Visors)				
		SCREEN, CANVAS, AT MAIN ENTRANCE DOOR (Z10230) (Mod. 937) Spares for:—				
	15Z8653	Screen, canvas	1	DTD295	MR	JA8/235
	13Z8653	Strip, retaining, at door	1	L72		JA8/236
	17Z8653	Strip, retaining, at door frame	1	L72		JA8/237
		STOWAGE, COMPUTER, C. OF G. (Z9441) Spares for:—				
26FP/13568	3Z7879	Case, computer	1	—	C	JA5/238
	1Z9698	Computer, C. of G. (Mod. 570)	1	—		JA5/239
8929	1Z10090	Computer, C. of G. (Pre-Mod. 1958)	1	—	A	
11697	1Z10843	Computer, C. of G. (Mod. 1958) (For A/c fitted with Mods. 527/528)	1	—	A	
17530	1Z11665	Computer, C. of G. (Mod. 2113) (For A/c fitted with Mod. 2013)	1	—	A	
1510080	1Z12543	Computer, C. of G. (Mod. 2337)	1	—	A	
		STOWAGE, PERISCOPE SEXTANT, AT FORWARD TIE ROD, UNDER PILOT'S FLOOR (Z.9705) (Mod. 517) Spares for:—				
6B/4343721	—	Tray, mounting	1	—	A	
		STOWAGE, FIRST AID, ON 2ND PILOT'S GUIDE RAIL (Z9735) (See Equipment—Aircraft—Seats and Fittings)				
		STOWAGE, SIGNAL CARTRIDGE (1Z7447) (See Armament—Pyrotechnics)				
		STOWAGE, ANTI-FLASH SCREEN BOMB AIMER'S WINDOW (Z9863) Spares for:—				
	4Z9863	STRAP, RETAINING, GROUP	1	—	MR	
	5Z9863	STRAP, RETAINING, GROUP	1	—	MR	

FUSELAGE
CREW'S NACELLE

Ref. No.	Part No.	Description	No. off	Matl. Spec.	Cl. of St.	Plate and Illust'n No.
					M.R.	
		1 2 3 4				
		STRAP, SUPPORT, FOR REBECCA OPERATOR (1Z10487) (Mod. 1342)				
		Spares for:—				
	5Z10487	Block, retaining	1	BSS2572		
	6Z10487	Block, retaining	1	BSS2572		
	3Z10487	STRAP, ANCHOR, GROUP	1	—		
	2Z10487	STRAP, BACK SUPPORT, GROUP	1	—		
		Spares for:—				
	5Z7914	CLIP, SPRING, GROUP	1	—		
		STRUCTURE, CREW'S NACELLE (1B6D9428)				
		Spares for:—				
	25D8623	Bracket, angle	9	L72	MR	
	26D8623	Bracket, angle	9	L72	MR	
11903	2D8653	Bracket, stringer attachment	2	DTD88C	MR/C	
	3D8653	Bracket, stringer attachment	2	DTD88C	MR	
11901	4D8653	Bracket, stringer attachment	2	DTD88C	MR/C	
	2D8654	Bracket, stringer attachment	10	DTD88C	MR	
	3D8654	Bracket, stringer attachment	6	DTD88C	MR	
	4D8654	Bracket, stringer attachment	4	DTD88C	MR	
	5D8654	Bracket, stringer attachment	4	DTD88C	MR	
12150	6D8654	Bracket, stringer attachment	6	DTD88C	MR/C	
10598	7D8654	Bracket, stringer attachment	6	DTD88C	MR/C	
9560	8D8654	Bracket, stringer attachment	2	DTD88C	MR/C	
	2D8655	Bracket, stringer attachment	2	DTD88C	MR	
	3D8655	Bracket, stringer attachment	2	DTD88C	MR	
	4D8655	Bracket, stringer attachment	2	DTD88C	MR	
	9D8656	Bracket, stringer attachment	4	DTD88C	MR	
	19D12624	Bracket, stringer attachment	6	DTD88C	MR	
	20D12624	Bracket, stringer attachment	4	DTD88C	MR	
	21D12624	Bracket, stringer attachment	2	DTD88C	MR	
	22D12624	Bracket, stringer attachment	6	DTD88C	MR	
	23D12624	Bracket, stringer attachment	6	DTD88C	MR	
		BULKHEAD, REAR PRESSURE (80D9460)				
		Spares for:—				
	18SS3555	Adaptor, bulkhead	1	—	MR	JA6/246
28F/1036556	AGS1111/A	Adaptor, bulkhead	4	—	C	JA6/247
28F/1013402	AGS1111/B	Adaptor, bulkhead	2	—	C	JA6/248
10H/0540015	—	Adaptor	2	—	C	JA6/249
4603	5D9303	Bolt, special, at top nosewheel attachment brackets (9 and 10D9303)	4	HTS	C	JA6/250
4601	7D9304	Bolt, special, at bottom nosewheel attachment brackets (1 and 2D9304)	10	HTS	C	JA6/251
	4SS3237	Bolt, special, at sealing strip	27	—	C	JA6/252
	6eSS4167	Bolt, special, at bottom nosewheel attachment brackets (1 and 2D9304)	8	HTS	MR	JA6/253
	78D9460	Block, eye-end cable attachment to bulkhead	4	L65		JA6/254
12299	111D9460	Block, eye-end, cable attachment to bulkhead (Mod. 748)	2	L65	C	JA6/255

FUSELAGE
CREW'S NACELLE

Ref. No.	Part No.	Description	No. off	Mati. Spec.	Cl. of St.	Plate and Illust'n No.
					M.R.	
		1 2 3 4				
		BULKHEAD, REAR PRESSURE (80D9460) (Continued)				
		Spares for:—				
8143	9D9303	BRACKET, NOSEWHEEL ATTACHMENT, TOP, STARBOARD, GROUP (Mod. 609)	1	—	B	JA6/256
8144	10D9303	BRACKET, NOSEWHEEL ATTACHMENT TOP, PORT, GROUP (Mod. 609)	1	—	B	JA6/257
		Spares for:—				
	3D9198	Bolt, special	1	S99	MR	JA6/258
	8K2706	Bush, special	1	BSS369	MR	JA6/259
28N/9156370	SP21	Nipple, grease	1	—	C	
1801	4D9198	Nut, castle, special	1	S96	C	JA6/260
8861	8D9303	Nut, special	1	S96	C	JA6/261
1510744	6D9303	Peg, fouling	1	S1	C	
28P/15823	SP31/N14	Pin, split, taper	1	S114	C	
10732	10D9129	Spigot	1	S96	C	
8862	7D9303	Stud, special	1	S99	C	JA6/262
28W/9419471	SP13/S	Washer	3	—	C	
1802	5D9198	Washer, special	1	DTD364B	C	JA6/263
	1D9304	BRACKET, NOSEWHEEL ATTACHMENT BOTTOM, STARBOARD, GROUP	1	—	MR	JA6/264
1805	2D9304	BRACKET, NOSEWHEEL ATTACHMENT, BOTTOM, PORT, GROUP	1	—	B	JA6/265
		Spares for:—				
1806	5D9304	Bolt, special	2	S99	C	JA6/266
	6K2706	Bush, special	1	BSS369	MR	JA6/267
28N/9156370	SP21	Nipple, grease	1	—	C	
	6D9304	Nut, castle, special	2	S96	MR	JA6/268
	6D9303	Peg, fouling	1	S1	C	
10732	10D9129	Spigot	1	S96	C	
28W/9419429	SP13/U	Washer	2	—	C	
	9D9129	Washer, special	2	DTD364B	MR	JA6/269
10H/0540015	—	Connector, co-axial, bulkhead ref. 179 and 883	2	—	B	JA6/270
	1SS4631	Gasket, plug sealing, 1.343" x 1.343" x 1/16" thick, 1.031" dia. hole	2	DTD762		
	2SS4631	Gasket, plug sealing, 1.437" x 1.437" x 1/16" thick, 1.156" dia. hole	8	DTD762		
	3SS4631	Gasket, plug sealing, 1.562" x 1.562" x 1/16" thick, 1.281" dia. hole	2	DTD763		
14737	4SS4631	Gasket, plug sealing, 2.062" x 2.062" x 1/16" thick, 1.781" dia. hole	13	DTD762	C	
	5SS4631	Gasket, plug sealing, 2.312" x 2.312" x 1/16" thick, 2.031" dia. hole	1	DTD762		
	6SS4631	Gasket, plug sealing, 1.6875" x 1.6875" x 1/16" thick, 1.405" dia. hole	5	DTD762		
	7SS4631	Gasket, plug sealing, 1.8125" x 1.8125" x 1/16" thick, 1.531" dia. hole	2	DTD762		
	8SS4631	Gasket, plug sealing, 2.562" x 2.562" x 1/16" thick, 2.281" dia. hole	4	DTD762		
5K2975	SP40/C48	Grommet, for plug, bulkhead, ref. 104R	1	—	C	JA6/271

VULCAN Mk. 2

FUSELAGE
CREW'S NACELLE

Page JA. 23

Ref. No.	Part No.	Description	No. off	Mati. Spec.	Cl. of	Plate and Illust'n No.
					St. M.R.	
		1 2 3 4				
		BULKHEAD, REAR PRESSURE (80D9460) (Cont'd.)				
	HELLERMANN					
	HV4402	Housing, bung	1	—		JA6/272
5X/8882	HV4413/1	Housing, bung (Mod. 2254)	1	—	C	JA6/273
	4652/1	Housing, bung	2	—		JA6/274
	31SS3564	Nut, sleeve, for adaptor (18SS3555)	1	—	MR	JA6/275
	96D9460	Plate, mounting, for plug bulkhead ref. 104R	1	BS2966		
	2V15989	Plate, patch (Mod. 2254)	1	—		
26FP/13043	1SS3259	Plate, mod.	1	—	C	
26FP/13044	1SS3260	Plate, serial	1	—	C	
	32SS3564	Plug, for adaptor (18SS3555)	1	—	MR	JA6/276
5X/6008	CZ28032	Plug, 3 pin, 7A, 1 pin 7A	3	—	C	JA6/277
5X/6028	CZ28036	Plug, 2 pin, 19A	2	—	C	JA6/278
5X/6033	CZ28037	Plug, 2 pin, 7A, 2 pin 19A	2	—	C	JA6/279
5X/6038	CZ28038	Plug, 9 pin, 7A	5	—	C	JA6/280
5X/6043	CZ28039	Plug, 2 pin, 7A, 4 pin 19A	1	—	C	JA6/281
5X/6058	CZ28042	Plug, 4 pin, 19A	3	—	C	JA6/282
5X/6088	CZ28048	Plug, 12 pin, 7A	6	—	C	JA6/283
5X/6093	CZ28049	Plug, 12 pin, 7A, 2 pin 19A	8	—	C	JA6/284
5X/6103	CX28051	Plug, 4 pin, 37A	2	—	C	JA6/285
5X/6128	CX28056	Plug, 12 pin, 7A, 4 pin 19A	1	—	C	JA6/286
5X/6133	CZ28057	Plug, 24 pin, 7A, 2 pin 19A	33	—	C	JA6/287
5X/6422	CZ57212	Plug, 7 pin, 7A, 2 pin 19A (Mod. 45)	4	—	C	JA6/288
	CANNON ELECT					
	TBF16-9PS	Plug, bulkhead, ref. 824	1	—		JA6/289
	CANNON ELECT					
	TBF16-12PS	Plug, bulkhead, ref. 796	1	—		JA6/290
	CANNON ELECT					
	TBF18-1PS	Plug, bulkhead, refs. 273, 697, 946, 947 ...	4	—		JA6/291
	CANNON ELECT					
	TBF18-1PSW	Plug, bulkhead, refs. 948 & 949	2	—		JA6/292
	CANNON ELECT					
	TBF18-8PS	Plug, bulkhead, ref. 806	1	—		JA6/293
	CANNON ELECT					
10H/1066013	TBF18-12PS	Plug, bulkhead, ref. 1045	1	—	B	JA6/294
	CANNON ELECT					
	TBF20-1PS	Plug, bulkhead, ref. 803	1	—		JA6/295
	CANNON ELECT					
	TBF20-19PS	Plug, bulkhead, ref. 809	1	—		JA6/296
	CANNON ELECT					
	TBF22-11PS	Plug, bulkhead, refs. 1093 & 1094	2	—		JA6/297
	CANNON ELECT					
10H/9997879	TBF22-14PS	Plug, bulkhead, refs. 608 or 961	2	—	B	JA6/298
		(Mod. 2256)				
	CANNON ELECT					
	TBF22-17PS	Plug, bulkhead, ref. 972	1	—		JA6/299
	CANNON ELECT					
10H/9438818	TBF22-19PS	Plug, bulkhead, ref. 1044	1	—		JA6/300
	CANNON ELECT					
	TBF24-21PS	Plug, bulkhead, ref. 607 or 960	1	—		JA6/301
	CANNON ELECT					
10H/9997881	TBF24-28PS	Plug, bulkhead, refs. 603 or 977	1	—	B	JA6/302

FUSELAGE
CREW'S NACELLE

Ref. No.	Part No.	Description	No. off	Matl. Spec.	Cl. of	Plate and Illust'n No.
					Sc. M.R.	
		1 2 3 4				
		BULKHEAD, REAR PRESSURE (80D9460) (Cont'd)				
	CANNON ELECT TBF28-9PS	Plug, bulkhead, ref. 788	1	—		JA6/303
	CANNON ELECT TBF28-11PS	Plug, bulkhead, ref. 789	1	—		JA6/304
10H/9997883	CANNON ELECT TBF28-12PS	Plug, bulkhead, refs. 976 & 1026	2	—	B	JA6/305
10H/9997884	CANNON ELECT TBF28-12PSW	Plug, bulkhead, ref. 973	1	—	B	JA6/306
	CANNON ELECT TBF28-12PSX	Plug, bulkhead, ref. 975	1	—		JA6/307
	CANNON ELECT TBF28-15PS	Plug, bulkhead, ref. 959	1	—		JA6/308
	CANNON ELECT TBF28-20PS	Plug, bulkhead, refs. 597 & 790	2	—		JA6/309
10H/9997886	CANNON ELECT TBF28-21PS	Plug, bulkhead, refs. 274 & 958	2	—	B	JA6/310
10H/9997877	CANNON ELECT TBF28-21PSW	Plug, bulkhead, ref. 272	1	—	B	JA6/311
	CANNON ELECT TBF32-6PS	Plug, bulkhead, ref. 801	1	—		JA6/312
	CANNON ELECT TBF36-10PS	Plug, bulkhead, ref. 602	1	—		JA6/313
	CANNON ELECT TBF36-19PSW	Plug, bulkhead, ref. 609	1	—		JA6/314
	CANNON ELECT TBF36-10PSX	Plug, bulkhead, ref. 605	1	—		JA6/315
	CANNON ELECT TBF36-10PSY	Plug, bulkhead, ref. 606	1	—		JA6/316
	CANNON ELECT TBFH36-10PS-100	Plug, bulkhead, ref. 1232 (Mod. 2155)	1	—		JA6/316A
10H/19610	—	Plug, co-axial, single pole	8	—	B	JA6/317
10H/9560042	—	Plug, co-axial, single pole	3	—	B	JA6/318
10H/0540019	—	Socket, bulkhead, adaptor	1	—	C	JA6/319
10H/19444	—	Socket, plug, at bulkhead, ref. 799	1	—	B	JA6/320
10H/19439	—	Socket, plug, at bulkhead, ref. 797	1	—	B	JA6/321
10H/19481	—	Socket, plug, at bulkhead, ref. 805	1	—	B	JA6/322
10H/9321486	CZ61886/1	Socket, plug, at bulkhead, ref. 189	1	—	B	JA6/323
10H/20417	CZ61887/10	Socket, plug, at bulkhead, ref. 516	1	—	B	JA6/324
10H/9525571	CZ61887/1	Socket, plug, at bulkhead, ref. 100	1	—	B	JA6/325
	CZ61887/2	Socket, plug, at bulkhead, ref. 514	1	—		JA6/326
	CZ1887/3	Socket, plug, at bulkhead, ref. 513	1	—		JA6/327
		(Pre-Mod. 1300)				
	CZ1887/5	Socket, plug, at bulkhead, ref. 174	1	—		JA6/328
10H/20416	CZ1888/0	Socket, plug, at bulkhead, ref. 104R	1	—	B	JA6/329
	CZ61889/3	Socket, plug, at bulkhead, ref. 881	1	—		JA6/330
	CZ61889/4	Socket, plug, at bulkhead, ref. 200 & 646 ..	2	—		JA6/331
10H/19439	CZ62268/0	Socket, plug, at bulkhead, ref. 170	1	—	B	JA6/332
10H/19445	CZ62269	Socket, plug, at bulkhead, ref. 192	1	—	B	JA6/333
10H/19451	CZ62270/0	Socket, plug, at bulkhead, ref. 1016	1	—	B	JA6/334
10H/19457	CZ62271/0	Socket, plug, at bulkhead, refs.	5	—	B	JA6/335
		99-109R-190 & 882				
10H/1066798	CZ62271/1	Socket, plug, at bulkhead, ref. 100	1	—	B	JA6/336
	CZ62271/2	Socket, plug, at bulkhead, ref. 177	1	—		JA6/337
	CZ62271/3	Socket, plug, at bulkhead, ref. 130	1	—		JA6/338

FUSELAGE
CREW'S NACELLE

Ref. No.	Part No.	Description	No. off	Matl. Spec.	Cl. of St.	Plate and Illust'n No.
					M.R.	
		1 2 3 4				
BULKHEAD, REAR PRESSURE (80D9460) (Cont'd)						
10H/19460	CZ62271/5	Socket, plug, at bulkhead, ref. 1015	1	—	B	JA6/339
10H/19463	CZ63372/0	Socket, plug, at bulkhead, ref. 107R	1	—	B	JA6/340
	CZ62274/1	Socket, plug, at bulkhead, ref. 932	1	—		JA6/341
	CZ62275/0	Socket, plug, at bulkhead, ref. 158-173	3	—		JA6/342
		1034				
10H/9144105	CZ62275/1	Socket, plug, at bulkhead, ref. 178	1	—	B	JA6/343
10H/9144106	CZ62275/2	Socket, plug, at bulkhead, refs. 157 & 172 ..	2	—	B	JA6/344
10H/9144107	CZ62275/3	Socket, plug, at bulkhead, refs. 176 & 201 ..	1	—	B	JA6/345
10H/9505644	CZ62275/4	Socket, plug, at bulkhead, ref. 171	1	—	B	JA6/346
10H/19487	CZ62276/0	Socket, plug, at bulkhead, ref. 1017	1	—	B	JA6/347
10H/9116804	CZ62277/0	Socket, plug, at bulkhead, refs. 1R-105R- ..	5	—	B	JA6/348
		478-878-1014				
10H/9153420	CZ62277/1	Socket, plug, at bulkhead, refs. 6R-103R- ..	5	—	B	JA6/349
		477-489-879				
10H/1984665	CZ62277/2	Socket, plug, at bulkhead, refs. 476 & 880 ..	2	—	B	JA6/350
	CZ62277/3	Socket, plug, at bulkhead, refs. 5R & 129 ..	2	—		JA6/351
10H/1119925	CZ62277/5	Socket, plug, at bulkhead, ref. 191	1	—	B	JA6/352
	55D9460	STRIP, SEALING, GROUP	1	—	MR	JA6/353
27FP/10114	1SS1585	Tab, locking	3	—	C	JA6/354
	97D9460	Washer, clamping, for plug bulkhead, ref. ..	1	—		
		104R				
8152	47D8628	Washer, sealing, 1/16" thick x 1.13" o/d x ..	8	Rubber	C	
		.69" hole dia.				
20401	69D8628	Washer, sealing, 1/16" thick x 1.1" o/d x ..	5	Rubber	C	
		.57" hole dia.				
8153	48D8628	Washer special, 16 SWG x 1.093" o/d x ...	9	L72	C	
		.703" hole dia.				
	367D8626/W	CANOPY, PILOT'S, WHITE, GROUP	1	—		JA10/355
	367D8626/C	CANOPY, PILOT'S, CAMOUFLAGED	1	—	A	
		GROUP (Mod. 1877)				
1433391	367D8626/PC	CANOPY, PILOT'S, POLYURATHANE	1	—	A	
		FINISH, GROUP (Mod. 2129)				
		Spares for:—				
	176D8626	Block, 3-1/2" x 5/8" x 1-1/4"	1	DTD346B	MR	JA10/356
	302D8626	BRACKET, ATTACHMENT, FORWARD ..	1	—	MR	JA10/357
		OF PRESSURE BULKHEAD, PORT,				
		GROUP (Pre-Mod. 2301)				
	376D8626	BRACKET, ATTACHMENT FORWARD OF	1	—	MR	
		PRESSURE BULKHEAD, PORT,				
		GROUP (Mod. 2301)				
		Consisting of:—				
28D/1007319	AS1242/4B	Bolt, 4 BA	8	—	C	
	302AD8626	Bracket	1	L72		
	302bD8626	Connection, rubber (Pre-Mod. 2301)	1	BS1154/Z13	MR	JA10/358
1505435	373D8626	Connection, rubber (Mod. 2301)	1	—	C	
28M/1278189	AGS2001/B1	Nut, stiff, 4 BA	1	L72	C	JA10/359
	215cD8626	Washer, special	1	L72	MR	JA10/359
	215eD8626	Washer, special	1	L72	MR	JA10/360
28W/9419474	SP15/B	Washer, 4 BA	8	—	C	

FUSELAGE
CREW'S NACELLE

Ref. No.	Part No.	Description	No. off	Mati. Spec.	Cl. of	Plate
					St.	and
		1 2 3 4			M.R.	illust'n
						No.
		CANOPY, PILOT'S (367D8626) (Cont'd)				
		BULKHEAD, PRESSURE (62D9528)				
		Spares for:—				
	34D9528	BRACKET, PLUNGER, FOR	1	—		JA9/361
		SEQUENCE VALVE, PORT, GROUP				
		Consisting of:—				
	34dD9528	Collar, 17G x .75" o/d x .5" long	1	T35		JA9/362
	34bD9528	Housing	1	L51		JA9/363
	34aD9528	Plunger, 1" dia. x 3.25" long	1	S1		JA9/364
28Q/9417267	AGS2050/424BS	Rivet, pop	2	—	C	
	34cD9528	Spring	1	Spring Steel		JA9/365
		CABLE, SEAT RELEASE, GROUP	2	—	MR	JA9/366
	13SS6004	Label, 7" x 3.4"	1	L59		
	137SS6004	Label, 3" x 2.5"	1	L59		
	33D9528	Washer, special, for eye bolt at cable	1	L72		
		release				
	10SS4095	CLIP, HALF, AT SEAL JOINT, GROUP	1	—	MR	JA10/368
	1SS1862	CLIP, HALF, AT SEAL JOINT, GROUP	1	—	MR	JA10/369
	7D10686	Dowel	4	S96	MR	JA10/370
1018	224D8626	HANDLE, ACCESS, PILOT'S, PORT	2	—	C	JA10/371
		AND STARBOARD, GROUP				
	309D8626	HINGE, CANOPY, PORT, GROUP	1	—		JA10/372
	310D8626	HINGE, CAMOPY, STARBOARD,	1	—	MR	JA10/373
		GROUP				
		Spares for:—				
	309sD8626	Pin, hinge	1	S96	MR	
10H/19789	—	Holder, card	2	—	C	
6A/387	—	Holder, pilot's deviation card	2	—	C	
9173	32D9043	INHIBITOR, WINDSCREEN, PORT AND	2	—	C	JA10/374
		STARBOARD, GROUP				
26FP/13043	1SS3259	Plate, mod.	1	—	C	
26FP/13044	1S3260	Plate, serial	1	—	C	
	341D8626	Plate, base, L.H. (Pre-Mod. 2303)	1	—		
	370D8626	Plate, base, L.H. (Mod. 2303)	1	—	MR	
	342D8626	Plate, base, R.H. (Pre-Mod. 2303)	1	—	MR	
	371D8626	Plate, base, R.H. (Mod. 2303)	1	—	MR	
	60D8626	Ring, window, retaining	2	L72	MR	JA10/375
	177D8626	Screw, plug, 3/8" dia. x 1-1/4" long	1	S1	MR	JA10/376
	261D8626	Seal, inflatable (Pre-Mod. 2301)	1	—		JA9/377
		(Pre-Mod. 2406)				
	372D8626	Seal, inflatable (Mod. 2301) (Pre-Mod. 2386)	1	—		
6116007	381D8626	Seal, inflatable (Mod. 2406)	1	—	C	
	380D8626	Seal, inflatable (Mod. 2386)	1	—		
	337D8626	STRIP, RETAINING, PORT AND	8	—	MR	JA9/378
		STARBOARD, GROUP				
	285D8626	Strip, sealing, rubber, 1/8" x 1-1/2" x 5' 3"	2	DTD552	MR	JA9/379
		long				
	286D8626	Strip, sealing, rubber, 1/8" x 1" x 18" long	1	DTD552		JA9/380
6821	332D8626	Support, window, dinghy release	1	L72	C	

FUSELAGE
CREW'S NACELLE

Ref. No.	Part No.	Description	No. off	Mati. Spec.	Cl. of St.	Plate and Illust'n No.
					M.R.	
		1 2 3 4				
		CANOPY, PILOT'S (367D8626) (Cont'd.)				
		VISORS, NOTE STOWAGES ACCESS HANDLE & CARD HOLDERS ETC. IN CANOPY (Z7869)				
		Spares for:—				
1017	223D8626	HANDLE, ACCESS, PILOT'S GROUP 1	1	—	C	JA10/381
	2Z7896	HOLDER, COMPASS CORRECTOR, GROUP	2	—	MR	JA10/382
		Spares for:—				
6B/1054118	—	Holder, deviation card, Mk. 4	2	—	B	
	2Z7555	Plate	2	L72		
	28V7666	LIGHT, WANDER, GROUP	1	—	MR	JA10/383
		Spares for:—				
	29V7666	CASE, GROUP	1	—		JA10/384
		Spares for:—				
5K/9483758	26dV7666	Block, stop	1	BSS972		JA10/385
	SP40/B8	Grommet	1	Rubber	C	
	5V7666	Pulley, .75" dia. x .25"	1	DTD130		JA10/386
	15V7666	Screw, special, for pulley	1	L65		JA10/387
	13V7666	CORD, ELASTIC, GROUP	1	—	MR	JA10/388
	17V7666	Cover, case	1	L72		JA10/389
5X/1383	—	Ferrule	1	—	C	
	25V7666	LAMP, GROUP	1	—	MR	JA10/390
		Spares for:—				
	1V7865	DIMMER, MECHANICAL, GROUP	1	—	MR	JA10/391
9898	1V7867	HOUSING, LAMP & SWITCH, GROUP (LESS FILAMENT)	1	—	A	JA10/392
		Spares for:—				
	5V7867	Clip, bottom half	1	L72	MR	JA10/1080
	6V7867	Clip, top half	1	L72	MR	JA10/1081
6419	23V7666	Cable, special	1	—	C	
	9V7867	Cable, unipren x 3" long	1	—		
5CX/4330056	—	Cover, terminal	1	—	C	JA10/1082
5L/9951273	—	Filament (not supplied as part of assembly spare)	1	—	C	
5CX/4330058	—	Lampholder	1	—	B	JA10/1083
5CW/4400159	N.S.F. 8295/B127	Switch	1	—	B	JA10/1084
	1V7866	UNIT, FOCUSING, GROUP	1	—	MR	JA10/393
	7V7666	MOUNTING, PULLEY, GROUP	1	—		JA10/394
4404	1Z8478	STOWAGE, PILOT'S NOTES, PORT, GROUP	1	—	C	JA10/395
	2Z8478	STOWAGE, PILOT'S NOTES, STARBOARD, GROUP	1	—	MR	JA10/396
		VISORS, ANTI-GLARE, AT PILOT'S WINDSCREEN (1Z7762) (See Equipment—Aircraft—Curtains and Visors)			REF	

FUSELAGE
CREW'S NACELLE

Ref. No.	Part No.	Description	No. off	Matl. Spec.	Cl. of St.	Plate and Illust'n No.
					M.R.	
		1 2 3 4				
		CANOPY, PILOT'S (367D8626) (Cont'd.)				
		VISORS, ANTI-GLARE AND BLACKOUT CURTAINS PILOT'S SIDE WINDOWS 1 & 2D10094)			REF	
		(See Equipment—Aircraft—Curtains and Visors)				
	335D8626	Washer, sealing, at inspection window ...	2	DTD762		JA9/397
	318D8626	WINDOW, CANOPY, PORT AND STARBOARD, GROUP	2	—	MR	JA10/398
17075	283bD8626	Spares for:— Panel, perspex	1	—	C	
	283aD8626	Ring, sealing	1	Sorbo Rubber	C	
6820	334D8626	Window, inspection, dinghy release	1	DTD838	C	JA9/399
		CANOPY RELEASE AND SEAT EJECTION (100D10368)				
		Spares for:—				
2929	21D9803	BLOCK, PULLEY FOR EXTERNAL RELEASE, CABLE, PORT, GROUP	1	—	B	JA9/400
		Spares for:—				
28R/1052624 2930	AS103	Pulley, ball bearing, 2" dia.	1	—	B	JA9/401
	23D9803	Block, pulley, external release, aft	1	L65	C	JA9/402
	50D9803	Bolt, special, aft release unit, port and starboard	2	—	MR	JA9/403
	53D9803	Bolt, at forward release unit and forward of rear release unit, port and starboard (Made from A60/18G)	12	—	MR	JA9/404
	55D9803	Bolt, at rear release unit, port and starboard (Made from A60/19G)	4	—	MR	JA9/405
6302	53D10368	Bolt, eye, .625" dia. x 1.9" long	1	—	MR	JA9/406
	54D10368	Bolt, eye, .625" dia. x 2.4" long (Note:— eyebolt 54D10368 is an alternative for eyebolt 53D10368 when the dimension between lever 51D10368 and c/line of link 61D10368 exceeds 1.0"	1	—	C	JA9/407
1510326	3D9803	Boss, at handle, port and starboard	2	L65	C	JA9/408
8697	85D10368	BRACKET, PLUNGER MOUNTING ON UNIVALVE, GROUP (Pre-Mod. 2220)	1	—	C	JA9/409
	125D10368	BRACKET, ASSEMBLY (Mod. 2220)	1	—		
	3D10368	BRACKET, LEVER, GROUP	1	—	MR	JA9/410
		Consisting of:—				
	3aD10368	Bracket	1	L53		
	36D10368	Bush	2	BS269		JA9/411
	16D9803	Bush, for handle, starboard	1	L65		JA9/412
	17D9803	Bush, for handle, port	1	L65		JA9/413
	MANG. B. 5CT/21	Bush, oilite, at bracket, centre of canopy bulkhead	1	—		JA9/414
27L/5052	MARTIN-BAKER MBCJ/338	Cable, face blind, at seal rails	2	—	B	JA9/415

VULCAN Mk. 2

FUSELAGE
CREW'S NACELLE

Page JA. 29

Ref. No.	Part No.	Description	No. off	Matl. Spec.	Cl. of St.	Plate and Illust'n No.
					M.R.	
		1 2 3 4				
		CANOPY RELEASE AND SEAT EJECTION (100D10368) (Cont'd)				
2698	30D9803	CABLE, EXTERNAL RELEASE, TO OUTER SKIN, GROUP	1	—	B	JA9/416
2699	41D9803	CABLE, EXTERNAL RELEASE FROM PILOT'S HANDLE, GROUP	1	—	B	JA9/417
	103D10368	VALVE, OPERATING, FROM UNI-VALVE LEVER TO SEAT RAIL, PORT, GROUP (Pre-Mod. 763)	1	—		
	104D10368	CABLE, OPERATING, FROM UNI-VALVE LEVER TO SEAT RAIL, STARBOARD, GROUP (Pre-Mod. 763)	1	—		
9232	110D10368	CABLE, OPERATING, FROM UNI-VALVE LEVER TO SEAT RAIL, PORT, GROUP (Pre-Mod. 2220)	1	—	B	JA9/418
		Spares for:—				
	BOWDEN PN999	Barrel, T	2	—		
29H/1250155	BOWDEN P19/2	Cable	1	—	C	
	110cD10368	CONDUIT, GROUP	1	—		
		Consisting of:—				
29H/1250107	BOWDEN B.I.H.	Casing, outer	1	—	C	
29H/9990759	BOWDEN PN979B	Ferrule	2	—	C	
	BOWDEN WB3966	Lubricator	1	—		
28N/9156370	SP21	Nipple	1	—	C	
	113D10368	Fairlead	3	LF882 or 80		
29H/1250121	BOWDEN PN2778	Nipple	1	—	C	
	BOWDEN PN3558	Nipple	1	—		
29H/1250113	BOWDEN PN23	Nut, brass	6	—	C	
29H/9990758	BOWDEN PN484	Stop, adjusting	2	—	C	
1433885	2D13671	CABLE, ASSEMBLY, OPERATING (Mod. 2220)	1	—	B	

FUSELAGE
CREW'S NACELLE

Ref. No.	Part No.	Description	No. off	Matl. Spec.	Cl. of St.	Plate and Illust'n No.
					M.R.	
		1 2 3 4				
9233	111D10368	CABLE, OPERATING, FROM UNI- VALVE LEVER, TO SEAT RAIL, STARBOARD, GROUP (Pre-Mod. 2220) Spares for:—	1	—	B	JA9/419
	BOWDEN PN999	Barrel, T	2	—		
29H/1250155	BOWDEN P19/2	Cable	1	—	C	
	111cD10368	CONDUIT, GROUP	1	—		
		Consisting of:—				
29H/1250107	BOWDEN B.I.H.	Casing, outer	1	—	C	
29H/9990759	BOWDEN PN979B	Ferrule	2	—	C	
	BOWDEN WB3966	Lubricator	1	—		
28N/9156370	SP21	Nipple	1	—	C	
	113D10368	Fairlead	3	LFB 82 or 89		
29H/1250121	BOWDEN PN2778	Nipple	1	—	C	
	BOWDEN PN3558	Nipple	1	—		
29H/1250113	BOWDEN PN23	Nut, brass	6	—	C	
29H/9990758	BOWDEN PN484	Stop, adjusting	2	—	C	
1433884	1D13671	CABLE, ASSEMBLY, OPERATING	1	—	B	
		(Mod. 2220)				
12K/1277	MARTIN-BAKER MBCJ/307	Cartridge	1	—	B	JA9/420
	114D10368	Clip, for time release gear on port and	2	—	MR	JA9/421
		starboard seat rails (Pre-Mod. 2220)				
6319	62D10368	CLIP, AT LEVER (51D10368), GROUP	1	—	C	JA9/422
		Spares for:—				
6320	62aD10368	Clip, spring	1	—	C	JA9/423
28FP/9703072	A615	Pin, pip	1	—	C	JA9/424
6305	1Z9123	COVER, AFT BULKHEAD, FOR	1	—	B	JA9/425
		JETTISON, MECHANISM, GROUP Spares for:—				
	8Z9123	Door, sliding, perspex	1	DTD339		JA9/426
13187	2Z9123	GUARD, GROUP	1	—	C	JA9/427
	9Z9123	Handle (make from 243SS3075)	1	L40		JA9/428
	136SS6004	Label	1	L59		
	137SS6004	Label	1	L59		

VULCAN Mk. 2

FUSELAGE
CREW'S NACELLE

Page JA. 31

Ref. No.	Part No.	Description	No. off	Matl. Spec.	Cl. of St.	Plate and Illust'n No.
					M.R.	
		1 2 3 4				
CANOPY RELEASE AND SEAT EJECTION (100D10368) (Cont'd.)						
6385	25D10685	COVER, PERSPEX, FOR PNEUMATIC RAM, GROUP	1	—	C	JA9/429
27L/1123	MARTIN-BAKER A/MBEU/578/ AVR	Disc, warning, assy	1	—	C	JA9/430
11341	13Q1627	FAIRLEAD, FOR SUPPLY PIPE, GROUP	1	—		JA9/431
	65D10368	Filter, at univalve	1	—	C	JA9/432
	63D10368	Guard, rear cockpit rail, top	1	L72	MR	JA9/433
6306	64D10368	Guard, rear cockpit rail, bottom	1	L72	C	JA9/434
	67D10368	Guard, forward release unit on cockpit rail, port	1	L72	MR	JA9/435
	90D10368	Guard, forward release unit on cockpit rail, starboard	1	L72		JA9/436
28D/1007982	AS1248/1C	Attachments—Guard (63-64-67, and 90D10368) Bolt, mush. head, 2 BA	23	—	C	
4734	24D10031	GUARD, CONNECTING ROD, GROUP	1	—	C	JA9/437
	58D9803	HANDLE ASSEMBLY (Pre-Mod. 2154)	2	—		JA9/438
	57D9803	Ring, luminous (Pre-Mod. 2154)	4	—		
	133D10368	HANDLE ASSEMBLY (Mod. 2154)	2	—		
6116051	SAUNDERS ROE LTD. SR3-1820	Marker, Betalite (Mod. 2154)	4	—	C	
	631SS6004	Lever, on guard, starboard	1	—		
	632SS6004	Label, on guard, port	—	—		
2915	25D9488	Lever, on rear cockpit rail, starboard	1	L65	C	JA9/439
4736	12D9803	Lever, at forward release inboard, port	1	S96	C	JA9/440
4735	49D9803	Lever, at forward release, centre, port	1	S96	C	JA9/441
6312	8D10368	Lever, port cockpit rail aft, inner, port	1	L65	C	JA9/442
6313	9D10368	Lever, cockpit rail, aft, outer, port	1	L65	C	JA9/443
	12D10368	Lever, pivot, cockpit rail, aft upper, port	1	HTS		JA9/444
6388	24D10685	Lever, pivot, cockpit rail, aft lower, port	1	L96	C	JA9/445
6310	50D10368	LEVER, FORK, FOR CONTROL ROD	1	—	B	JA9/446
		(15D10386) AT BULKHEAD, PORT, GROUP Consisting of:—				
	50bD10368	Fork	1	S1	MR	JA9/447
	50aD10368	Lever	1	L65		
28M/4199614	A24/JT	Nut	1	—	C	
	51D10368	LEVER, TO LINK FOR PISTON GUN,	1	—	MR	JA9/448
		GROUP Consisting of:—				
	7bD10368	Bush	1	BS369		
	51aD10368	Lever	1	L65		
6316	61D10368	Link, lever to sear	1	L65	C	JA9/449
8700	89D10368	Pawl, at lever on univalve	1	S510	C	JA9/450
		(Pre-Mod. 2220)				
	122D10368	Pawl, at lever on univalve (Mod. 2220)	1	—		

FUSELAGE
CREW'S NACELLE

Ref. No.	Part No.	Description	No. off	Matl. Spec.	Cl. of St.	Plate and Illust'n No.
					M.R.	
		1 2 3 4				
		CANOPY RELEASE AND SEAT EJECTION (100D10368) (Cont'd)				
	56D10368	PIN, PIP, C/W CORD, GROUP	1	—		JA9/451
		Consisting of:—				
28FP/1243707	56aD10368	Cord, balloon, 2 oz. x 3 strand x 8"	1	—		
	A405	Pin, pip	1	—	C	JA9/452
	148D8618	Plate, attachment	1	—		
6322	57D10368	PIN, PIP, C/W CORD, GROUP	1	—	C	JA9/453
		Consisting of:—				
28FP/9432063	57aD10368	Cord, balloon, 2 oz. x 3 strand x 8"	1	—		
	A809	Pin, pip	1	—	C	JA9/454
	148D8618	Plate, attachment	1	—		
6317 6387	51D9803	Pin, special, at rod connections	9	—	MR	JA9/455
	141D10368	Pin, solid for levers (8 and 9D 10368)	1	HTS	MR	JA9/456
	43D10368	Pin, special, at release gear on seat rails	2	S96	C	JA9/457
	27D10685	Pivot, cockpit rail, starboard aft	1	S96	C	JA9/458
	26Q2214	PIPE, UNIVALVE TO JACK, GROUP	1	—	MR	JA9/459
		(Mod. 687)				
	27Q2214	PIPE, SUPPLY TO VALVE, GROUP	1	—	MR	JA9/460
		(Mod. 687)				
2925 8699	24D9803	Plate, gate, for handles	4	Spring Steel	C	JA9/461
	88D10368	Plunger at univalve (Pre-Mod. 2220)	1	S1	C	JA9/462
28R/1052624	123D10368	Plunger, at univalve (Mod. 2220)	1	—		
	AS103	Pulley, ball bearing, at pulley block	1	—	B	JA9/463
		23D9803)				
27VA/4625960	DUNLOP AC13324	Ram, pneumatic	1	—	A	JA9/464
6327	70D10368	RETAINER, HANDLE, LOCKING PIN,	2	—	C	JA9/465
		GROUP				
28FP/1243707	A405	Spares for:— Pin, pip	1	—	C	JA9/466
	4D9488	ROD, CONNECTING, FROM PIVOT TO	1	—	MR	JA9/467
		LEVER AT SWITCH, STARBOARD, GROUP				
		Spares for:—				
28R/8158748	HOFFMAN CM2B	Bearing, rod end, R.H.	1	—	B	JA9/468
28R/4709682	HOFFMAN CM2LB	Bearing, rod end, L.H.	1	—	B	JA9/469
28M/1;11470	A27/GT	Nut, lock, 5/16" B.S.F., R.H.	1	—	C	JA9/470
28M/4095924	A27/GTL	Nut, lock, 5/16" B.S.F., L.H.	1	—	C	JA9/471

FUSELAGE
CREW'S NACELLE

Ref. No.	Part No.	Description	No. off	Matl. Spec.	Cl. of	Plate and Illust'n No.
					St. M.R.	
		1 2 3 4				
		CANOPY RELEASE AND SEAT EJECTION (100D10368) (Cont'd)				
	19D9803	ROD, CONNECTING, BETWEEN FORWARD AND AFT RELEASE UNITS, PORT AND STARBOARD, GROUP	2	—	MR	JA9/472
		Spares for:—				
28R/8158748	HOFFMAN CM2B	Bearing, rod end, R.H.	1	—	B	JA9/468
28R/4709682	HOFFMAN CM2LB	Bearing, rod end, L.H.	1	—	B	JA9/469
28M/1011470	A27/GT	Nut, lock, 5/16" BSF, R.H.	1	—	C	JA9/470
28M/4095924	A27/GTL	Nut, lock, 5/16" BSF, L.H.	1	—	C	JA9/471
2903	20D9803	ROD, CONNECTING, FROM FORWARD . RELEASE UNIT TO LEVER AT HANDLE, PORT & STARBOARD, GROUP	2	—	B	JA9/473
		Consisting of:—				
2905	7aD9488	End, fork	1	L65		JA9/474
28M/1007404	7bD9488	End, fork	1	L65	C	JA9/475
28M/4095942	A27/JT	Nut, lock, 3/8" BSF, R.H.	1	—	C	JA9/476
	A27/JTL	Nut, lock, 3/8" BSF, L.H.	1	—	C	JA9/477
	20aD9803	Rod	1	S96		
6323	15D10368	ROD, OPERATING, FROM GUN MOUNTING BRACKET TO LEVER ON PORT COCKPIT RAIL, GROUP	1	—	B	JA9/478
		Spares for:—				
	16gD10368	Nut, special, L.H. at rod joint	1	S113		
	17D10368	ROD, CONNECTING, GROUP	1	—		JA9/480
	16D10368	ROD, OPERATING, GROUP	1	—		JA9/481
		Spares for:—				
	16fD10368	End, fork	1	S96		JA9/482
	16eD10368	Nut, special, R.H. at fork end	1	S113		JA9/483
28N/9419477	SP15/J	Washer	2	—	C	JA9/484
6324	32D10368	ROD, OPERATING, FROM LEVER, REAR COCKPIT RAIL, STARBOARD, TO JOINT WITH ROD 48D10368, GROUP	1	—	B	JA9/485
		Spares for:—				
2905	7bD9488	End, fork	1	L65	C	JA9/474
28M/4095942	A27/JTL	Nut, locking	1	—	C	JA9/476
6325	48D10368	ROD, OPERATING, FROM LEVER, REAR COCKPIT RAIL, PORT, TO JOINT WITH ROD 32D10368, GROUP	1	—	B	JA9/486
		Spares for:—				
	7aD9488	End, fork	1	L65		JA9/473
	16eD10368	Nut, special, R.H.	1	S113		JA9/483

FUSELAGE
CREW'S NACELLE

Ref. No.	Part No.	Description	No. off	Matl. Spec.	Cl. of	Plate and Illust'n No.
					St. M.R.	
		1 2 3 4				
CANOPY RELEASE AND SEAT EJECTION (100D10368) (Cont'd)						
6326	10D10368 60D10368	Roller, at lever (9D10368)	1	L65	C	JA9/487
		Sear, at gun and link (Prior to MARTIN ... BAKER supply)	1	DTD171		JA9/488
6328	21D10368	Shaft, at lever bracket (3D10368)	1	T45	C	JA9/489
	25D9803	Spacer, at gate plates	4	BSS972	MR	JA9/490
6247	5D10810	Spindle, for lever pivots	1	S96	C	JA9/491
10616	115D10368	Spring, for plunger at univalve	1	-	C	
		(Pre-Mod. 2220)				
		Spring, for plunger at univalve (Mod. 2220)	1	-	C	JA9/492
5CW/4742	193SS4700 DOWTY C1831Y/Mk. 1	Switch, micro, cockpit rail, starboard	1	-	A	
		(Pre-Mod. 1906)				
5CW/4400578	402/EN/N/3	Switch, micro, cockpit rail, starboard	1	-	A	JA9/493
		(Mod. 1906)				
28DU/15099	SP33/E	Turnbuckle, for external release cables	1	-	C	JA9/494
2918	1D10021	UNIT, RELEASE, PORT, FORWARD,	1	-		JA9/495
		GROUP				
2919	4D10021	UNIT, RELEASE, STARBOARD,	1	-	A	JA9/496
		FORWARD, GROUP				
2920	5D10021	UNIT, RELEASE, PORT, AFT, GROUP	1	-	A	JA9/497
2921	6D10021	UNIT, RELEASE, STARBOARD, AFT,	1	-	A	JA9/498
		GROUP				
		Spares for:-				
	2D10021	Block, L.H.	1	DTD683		
	3D10021	Block, R.H.	1	DTD683		
	8D9487	Bolt, special, 5/16" dia. x 1.1/4" long ...	2	S1	MR	JA9/499
	37D9803	CAM, PORT, FORWARD, GROUP	1	-		JA9/500
	38D9803	CAM, STARBOARD, FORWARD,	1	-		JA9/501
		GROUP				
		Spares for:-				
	7D9803	Cam, for (37D9803)	1	S99		
	8D9803	Cam, for (38D9803)	1	S99		
	11D9803	Indicator	1	L65		JA9/502
	13D9803	Lever, for (37D9803)	1	S96		
	14D9803	Lever, for (48D9803)	1	S96		
12459	47D9803	Screw, grub, special	1	S96	C	
10351	39D9803	CAM, PORT, AFT, GROUP	1	-	B	JA9/503
10352	40D9803	CAM, STARBOARD, AFT, GROUP	1	-	B	JA9/504
		Spares for:-				
	44D9803	Adjuster, for (40D9803)	1	L65	MR	
	43D9803	Bolt, special, for (40D9803)	1	S94 or S95	MR	
	9D9803	Cam, for (39D9803)	1	S99		
	10D9803	Cam, for (40D9803)	1	S99		
	5D9803	Lever	1	L65	MR	
17212	6D9803	Lever	1	S96	C	
8180	13D9524	HOOK, GROUP	1	-	MR	JA9/505
	12D9524	Pin	1	S99		JA9/506
	10D9524	Seal, rubber	1	-	MR	JA9/507
	14D9524	Spring	2	DTD187	MR	JA9/508
	9D9524	Washer, special	1	-	MR	JA9/509

VULCAN NR. 2

FUSELAGE
CREW'S NACELLE

Page JA. 35

Ref. No.	Part No.	Description	No. off	Matl. Spec.	Cl. of St.	Plate and Illust'n No
					M.R.	
		1 2 3 4				
		CANOPY, RELEASE AND SEAT EJECTION (100D10368) (Cont'd.)				
	1D10022	UNIT, RELEASE, EXTERNAL GROUP	1	---		JA9/510
		Spares for:—				
	7D10022	Bush, for press catch	2	L65		
	9D10022	Bush, for handle	2	L65		
22342	6D10022	Catch, press	1	DTD443		JA9/511
	2D10022	COVER, GROUP	1	---		JA9/512
	3D10022	HANDLE, GROUP	1	---		JA9/513
22343	12D10022	Pin	1	S1	C	
	8D10022	Tube, distance, for handle	1	T35		
27L/4541132	C/MBCJ/305	Unit, jettison gun firing	1	---	A	JA9/514
27L/4541133	C/MBCJ/306	Unit, time delay, on pilot's seat	2	---	A	JA9/515
	DUNLOP AC61744	Univalve (Mod. 2220) (See AP4515C,	1	---	A	JA9/516
27VA/ 1450833		Vol. 3, Part 1, Sect. 2, Chap. 55)				
	DUNLOP ACO1297	Valve, sequence (See AP4515C, Vol. 3, ...	1	---	A	JA9/517
27VA/ 4619877		Part 1, Sect. 2, Chap. 55)				
	87D10368	Washer, saddle, for plunger at univalve ..	1	S1		JA9/518
		(Pre-Mod. 2220)				
	124D10368	Washer (Mod. 2220)	1	---		
	30D10368	Washer, special, for spindle at lever pivots	2	L72		JA9/519
	26D9803	Washer, tapered, at gate plates	4	---		JA9/520
	27D9803	Washer, tapered, at gate plates	4	L65	MR	JA9/521
	28D9803	Washer, tapered, at pulley block	1	L65	MR	JA9/522
		(23D9803)				
2932	29D9803	Washer, tapered, at pulley block	1	L65	C	JA9/523
		(23D9803)				
		COCKPIT, RAIL, FORWARD AND REAR (381D8754)				
		Spares for:—				
		ATTACHMENT OF STRONG POINTS FOR DINGHY STOWAGE PORT AND STARBOARD (290 & 291D8754)				
		Spares for:—				
	9D9936	Bolt, pin	2	S94-S95 or S96		JA10/524
				DTD363A		
	10D9936	Lever	1	L72		JA10/525
	8D9936	Link, member	2	L72		JA10/526
	7D9936	Strip, holding, port and starboard	1	L72		JA10/527
	2D10368	Bracket, ejection jack foot	1	L65		JA9/528
1432913	69D8754	Bracket, attachment	4	L72	C	
1432914	70D8754	Bracket	4	L72	C	
1505035	251D8754	COVER, HINGE, PORT, GROUP	1	---	C	JA10/529
1505036	252D8754	COVER, HINGE, STARBOARD, GROUP ..	1	---	C	JA10/530
		Spares for:—				
	1D9068	UNIT, HINGE, GROUP	1	---	MR	JA10/531
		Consisting of:—				
	2D9068	Block	1	DTD176A		JA10/532
	3D9068	Hook	1	DTD176A		JA10/533
	4D9068	Link	2	DTD166B		JA10/534

FUSELAGE
CREW'S NACELLE

Ref. No.	Part No.	Description	No. off	Matl. Spec.	Cl. of St.	Plate and Illust'n No.
					M.R.	
		1 2 3 4				
		UNIT, HINGE, GROUP (1D9068) (Continued)				
	9D9068	Pin, at links for spring	1	DTD176A		JA10/535
	10D9068	Pin, at links for hook	1	DTD176A		JA10/536
	12D9068	Pin, for hook	1	DTD176A		JA10/537
	5D9068	Rod, plunger	1	DTD176A		JA10/538
	8D9068	Spring, for link pin	1	DTD326		JA10/539
	11D9068	Spring, for rod	1	DTD326		JA10/540
	7D9068	Tube, distance, for links, top	1	DTD176A		JA10/541
	14D9068	Tube, distance, for links, bottom	1	DTD176A		JA10/542
1432915	205D8754	COVER, AFT, PORT, GROUP	1	—	C	JA9/543
1432916	206D8754	COVER, AFT, STARBOARD, GROUP	1	—	C	JA9/544
	203D8754	COVER, FORWARD, PORT, GROUP	1	—		JA9/545
	204D8754	COVER, FORWARD, STARBOARD,	1	—		JA9/546
		GROUP				
	37SS3221	DOOR, INSPECTION, FORWARD	2	—		
		AT FORMER 388°F, PORT AND STARBOARD, GROUP				
		Spares for:—				
	46SS3221	Door, inspection	1	L72	MR	JA9/547
		Attachment, door (46SS3221)				
28D/1007981	AS1248/1/2C	Bolt	6	—	C	
	12SS3221	FLANGE, GROUP	1	—		
	375D8754	Seal, foam rubber, 3/16" x 2-1/2" x 6-1/2"	1	—	MR	JA9/548
10312	3D10687	Socket, cockpit, rail, forward, port	1	L65	C	JA9/549
10313	4D10687	Socket, cockpit, rail, forward, starboard ..	1	L65	C	JA9/550
	5D10687	Socket, cockpit, rail, aft, port	1	L65	MR	JA9/551
	6D10687	Socket, cockpit, rail, aft, starboard	1	—	MR	JA9/552
9744	318D8754	Strip, rubber, rear cockpit rail, 1"	1	—	C	JA10/553
		x 1/4" x 2' 11-1/2" long				
2378	137D8623	DIAPHRAGM, OUTER, PORT, GROUP	1	—	C	JA11/554
2379	138D8623	DIAPHRAGM, OUTER, STARBOARD,	1	—	C	JA11/555
		GROUP				
2380	139D8623	DIAPHRAGM, OUTER, PORT, GROUP	1	—	C	JA11/556
2381	140D8623	DIAPHRAGM, OUTER, STARBOARD,	1	—	C	JA11/557
		GROUP				
2382	141D8623	DIAPHRAGM, OUTER, PORT, GROUP	1	—	C	JA11/558
	142D8623	DIAPHRAGM, OUTER, STARBOARD,	1	—		JA11/559
		GROUP				
2384	143D8623	DIAPHRAGM, OUTER, PORT, GROUP	1	—	C	JA11/560
	144D8623	DIAPHRAGM, OUTER, STARBOARD,	1	—		JA11/561
		GROUP				

YULCAN No. 2

FUSELAGE
CREW'S NACELLE

Page JA. 37

Ref. No.	Part No.	Description	No. off	Matl. Spec.	Cl. of	Plate and Illust'n No.
					St. M.R.	
1 2 3 4						
		STRUCTURE, CREW'S NACELLE (186D9428) (Cont'd)				
	145D8623	DIAPHRAGM, OUTER, PORT, GROUP	1	—		JA11/562
	146D8623	DIAPHRAGM, OUTER, STARBOARD, GROUP	1	—		JA11/563
		DOME, PRESSURE, FORWARD, CREW'S NACELLE (50D9383)				
		Spares for:—				
1005	27D8377	Bracket, at access door clamp	3	DTD364A		JA7/564
1006	33D8377	Bracket, hinge, port	1	DTD364B	C	JA7/565
	34D8377	Bracket, hinge, starboard	1	DTD364B	C	JA7/566
	54D9383	BRACKET, BOMB SIGHT COVER	1	—		JA7/567
	55D9383	STOWAGE, PORT, GROUP BRACKET, BOMB SIGHT COVER	1	—		JA7/568
		STOWAGE, STARBOARD, GROUP				
		Spares for:—				
28FP/7002000	A403	Pin, pip	1	—	C	JA7/569
6164	36D9383	Bracket, strap mounting, port	1	L65	C	JA7/570
6165	37D9383	Bracket, strap mounting, starboard	1	L65	C	JA7/571
10H/0540015	—	Connector, Co-axial	4	—	B	JA7/572
10H/9560042	—	Connector, Co-axial	2	—	A	JA7/573
	2D8377	DOOR, ACCESS, CENTRE, GROUP	1	—	MR	JA7/574
		Spares for:—				
	2hD8377	Bracket, clamp	3	DTD364B	MR	JA7/575
	21D8377	Bracket, hinge, starboard	1	DTD364B		JA7/576
	2mD8377	Bracket, hinge, port	1	DTD364B		JA7/577
	2pD8377	Bracket, securing	1	DTD364B	MR	JA7/578
	2dD8377	Dish	1	L72		
	2gD8377	Ring, reinforcing	1	DTD88C	C	JA7/579
6264	2FD8377	Ring, sealing	1	Rubber	C	JA7/580
10702	2qD8377	Tube, spacing	1	L56	C	
26FP/13161	112D1944	HANDWHEEL, ACCESS DOOR, CLAMP,	3	—	C	JA7/581
		GROUP				
		Housing, bung	1	—	B	JA7/582
5X/6737	4413	Link, hinge, top	2	DTD364A	C	JA7/583
1007	26D8377	Link, hinge, bottom	4	L72	MR	JA7/584
26FP/13163	114D1944	Nut, special, for handwheel	3	DTD176A		JA7/585
1010	14D5770	Pin, for handwheel	3	DTD176A	C	JA7/586
8209	40D9383	Screw, for handwheel (Made from	3	DTD176A	C	JA7/587
		113D9383)				
	23D9383	Sector, attachment ring, bottom	1	L72	MR	JA7/588
	24D9383	Sector, attachment ring, bottom	1	L72	MR	JA7/589
	7D9383	Segment, bottom, starboard	1	L72	MR	JA7/590
	8D9383	Segment, bottom, port	1	L72	MR	JA7/591
10H/19451	—	Socket, plug, at pressure dome Ref. 1005 . .	1	—	B	JA7/592

FUSELAGE
CREW'S NACELLE

Ref. No.	Part No.	Description	No. off	Matl. Spec.	Cl. of St.	Plate and Illust'n No.
					M.R.	
		1 2 3 4				
DOME, PRESSURE, FORWARD, CREW'S NACELLE (50D9383) (Cont'd)						
	PLESSEY					
	CZ28032	Socket, plug at pressure dome Ref. 556 . . .	1	—		JA7/593
5X/6038	CZ28038	Socket, plug at pressure dome Ref. 281 . . .	1	—	B	JA7/594
5X/6093	CZ28049	Socket, plug at pressure dome Ref. 555 . . .	1	—	B	JA7/595
5X/6422	CZ57212	Socket, plug at pressure dome Ref. 288 . . .	1	—	B	JA7/596
10H/19457	CZ62271/0	Socket, plug, at pressure dome, Refs. 884 . . . & 885	2	—	B	JA7/597
10H/19458	CZ62271/1	Socket, plug, at pressure dome Ref. 114R . .	1	—	B	JA7/598
	CZ62271/3	Socket, plug at pressure dome Ref. 1018 . .	1	—		JA7/599
10H/19463	CZ62272/0	Socket, plug, at pressure dome Ref. 113R . .	1	—	B	JA7/600
10H/19458	CZ62272/1	Socket, plug at pressure dome Ref. 139R . .	1	—	B	JA7/601
10H/19493	CZ62277/0	Socket, plug, at pressure dome, Refs. 105R & 1019	2	—	B	JA7/602
	CZ62277/1	Socket, plug, at pressure dome Ref. 114R . .	1	—		JA7/603
	15D9383	Strap, jointing, segments	1	L72	MR	JA7/604
	16D9383	Strap, jointing, segments	1	L72	MR	JA7/605
	17D9383	Strap, jointing, segments	1	L72	MR	JA7/606
	69D8628	Washer, sealing	6	Rubber		
DOOR, MAIN ENTRANCE & ESCAPE CHUTE, STRUCTURE (1D9550)						
Spares for:—						
	33D8700	Angle attachment	1	L72	MR	JAB/607
	23D8700	Angle, clamping, port	1	L72	MR	JAB/608
	24D8700	Angle, clamping, starboard	1	L72	MR	JAB/609
13361	26D8700	Angle, clamping, rear	1	L72	C	JAB/610
	11D9550	Angle, clamping, forward corner, port	1	L72	MR	JAB/611
	12D9550	Angle, clamping, forward corner, starboard	1	L72	MR	JAB/612
	13D9550	Angle, clamping, rear corner, port	1	L72	MR	JAB/613
	14D9550	Angle, clamping, rear corner, starboard	1	L72	MR	JAB/614
	19D9550	Angle, clamping, front	1	L72	MR	JAB/615
	17D9550	ANGLE, INTERCOSTAL, PORT, GROUP	1	—	MR	JAB/616
	18D9550	ANGLE, INTERCOSTAL, STARBOARD, GROUP	1	—	MR	JAB/617
	37D8700	ANGLE, REINFORCING, PORT, GROUP	1	—	MR	JAB/618
	38D8700	ANGLE, REINFORCING, STARBOARD, GROUP	1	—	MR	JAB/619
	16D8700	Bracket, attachment, door frame rear, centre	1	L72	MR	JAB/620
2438	17D8700	Bracket, attachment, door frame rear, port . .	1	L72	C	JAB/621
	18D8700	Bracket, attachment, door frame rear, starboard	1	L72	MR	JAB/622
	55D8700	Bracket, attachment	2	L72	MR	JAB/623
	56D8700	Bracket, attachment	2	L72	MR	JAB/624
	3D8700	Bracket, hinge, port	1	DTD364B	MR	JAB/625
	4D8700	Bracket, hinge, starboard	1	DTD364B	MR	JAB/626
	5D9550	Channel	1	L72	MR	JAB/627
	6D9550	Channel	1	L72	MR	JAB/628

VULCAN Mk. 2

FUSELAGE
CREW'S NACELLE

Page JA. 39

Ref. No.	Part No.	Description	No. off	Matl. Spec.	Cl. of St.	Plate and Illust'n No.
					M.R.	
		1 2 3 4				
		DOOR, MAIN ENTRANCE AND ESCAPE CHUTE STRUCTURE (1D9550) (Cont'd)				
	9D8700	DIAPHRAGM, FRONT, PORT, GROUP	1	—	MR	JA8/629
	10D8700	DIAPHRAGM, REAR STARBOARD, GROUP	1	—	MR	JA8/630
	11D8700	DIAPHRAGM, REAR PORT, GROUP	1	—	MR	JA8/631
	12D8700	DIAPHRAGM, REAR STARBOARD, GROUP	1	—	MR	JA8/632
	47D8700	DIAPHRAGM, SIDE, GROUP	1	—	MR	JA8/633
	48D8700	DIAPHRAGM, SIDE, GROUP	1	—	MR	JA8/634
12131	49D8700	Diaphragm, hinge, i/b port	1	L72	MR/C	JA8/635
12132	50D8700	Diaphragm, hinge, i/b starboard	1	L72	MR/C	JA8/636
12123	51D8700	Diaphragm, hinge, o/b port	1	L72	MR/C	JA8/637
12134	52D8700	Diaphragm, hinge, o/b starboard	1	L72	MR/C	JA8/638
2436	6D8700	DOOR, ACCESS, GROUP	1	—	MR/C	JA8/639
		Spares for:—				
8711	3D8803	Seal	1	Rubber	C	
64	1D8818	DOOR, MAIN ENTRANCE AND ESCAPE CHUTE, HINGED PORTION, GROUP	1	—	A	JA8/640
		Spares for:—				
	23D8818	BRACKET, HINGE, PORT, GROUP	1	—	MR	JA8/641
1433769	24D8818	BRACKET, HINGE, STARBOARD GROUP	1	—	MR/C	JA8/642
	63D8818	Bracket, jack attachment	2	DTD683	MR	JA8/643
1505001	89D8818	Bracket, striker, port	1	—		JA8/644
	90D8818	Bracket, striker, starboard	1	—	C	JA8/645
		Attachments (89 & 90D8818)				
28D/9133011	A25/2C	Bolt, 2 BA	3	—	C	
28D/1214091	AS1242/2C	Bolt, csk. head 2 BA	1	—	C	
28W/9419402	SP13/C	Washer, 2 BA	3	—	C	
	22D8818	Bush, at hinge bracket, port and starboard	2	2B/8	MR	JA8/646
	84D8818	Bush, at locking pin bracket	2	S80	MR	JA8/647
	92D8818	HOUSING, LADDER, GROUP	1	—	MR	JA8/648
		Consisting of:—				
	92cD8818	Cap, end	2	DTD124		
	92dD8818	Fairing	2	DTD124		
	92bD8818	Housing	2	DTD124		
	92eD8818	Housing, plunger	2	S1		
	92aD8818	Plate	2	DTD124		
	98D8700	STOP, DOOR, BOTTOM, HALF, L.H. & R.H., GROUP	2	—	MR	JA8/649
		Attachments:— (98D8700)				
28D/1007973	AS1242/2B	Bolt, csk. head, 4 BA	6	—	C	

FUSELAGE
CREW'S NACELLE

Ref. No.	Part No.	Description	No. off	Matl. Spec.	Cl. of St.	Plate and Illust'n No.
					M.R.	
		1 2 3 4				
		DOOR, MAIN ENTRANCE AND ESCAPE CHUTE, STRUCTURE (1D9550) (Cont'd)				
	39D8700	HOUSING, LOCKING PIN, PORT, GROUP	1	—	MR	JA8/650
	40D8700	HOUSING, LOCKING PIN, STARBOARD, GROUP	1	—	MR	JA8/651
	39bD8700	Consisting of:— Bush, port and starboard	1	DTD176A		
	39aD8700	Housing, port	1	DTD364B		
	40aD8700	Housing, starboard	1	DTD364B		
		INSULATION, UNDERBELLY STRUCTURE (21D9550) (See Equipment—Aircraft—Fireproofing and Soundproofing)				
	7D9550	INTERCOSTAL, PORT, GROUP	1	—	MR	JA8/652
	8D9550	INTERCOSTAL, STARBOARD, GROUP	1	—	MR	JA8/653
	15D9550	Intercostal, port	1	L72		JA8/654
	16D9550	Intercostal, starboard	1	L72		JA8/655
	AGS554	Nipple, grease, at hinges	2	—		
	28D8700	Packing, side	2	L72	MR	
9936	65D8700	Packing, hinge	2	L72	MR/C	
	66D8700	Packing, rear	1	L72	MR	
	68D8700	Packing, front, between hinges	1	L72	MR	
	71D8700	Packing, rear corner, port	1	L72	MR	
	72D8700	Packing, rear corner, starboard	1	L72	MR	
	73D8700	Packing, front corner, port	1	L72	MR	
	74D8700	Packing, front corner, starboard	1	L72	MR	
	5D8700	Pin, hinge	2	S96	MR	
	3D8698	PRESSING, DOOR FRAME, GROUP	1	—	MR	JA8/656
1045	1Z6492	Seal, inflatable, at door entrance (Pre-Mod. 2297)	1	—	C	JA8/657
	1Z12388	Seal, inflatable, at door entrance (Mod. 2297) (Pre-Mod. 2427)	1	—	MR	
6116077	1Z12813	Seal, inflatable, at door entrance (Mod. 2427)	1	—	C	
	15Z8653	Screen canvas, 1/16" x 4-3/8" x 14.75" .. long	1	DTD295	MR	JA8/658
	20D9550	Skin, panel, forward	1	L72	MR	JA8/659
	1D9551	SKIN, INNER, AROUND MAIN ENTRANCE DOOR, GROUP	1	—	MR	JA8/660
	99D8700	Stop, door (top half)	2	DTD364B	MR	JA8/661
	17Z8653	Strip, retaining for canvas screen	1	L72		JA8/662
1735	76D8700	Strip, retaining, port and starboard	2	L72	C	JA8/663
	78D8700	Strip, retaining, rear	1	L72	MR	JA8/664
1738	79D8700	Strip, retaining, front port	1	L72	C	JA8/665
1739	80D8700	Strip, retaining, front starboard	1	L72	C	JA8/666
1740	81D8700	Strip, retaining, rear, port	1	L72	C	JA8/667
1741	82D8700	Strip, retaining, rear starboard	1	L72	C	JA8/668
4730	83D8700	Strip, sealing (Linatex tubular sealing K.O. 118 x 16" long	1	—	C	JA8/669
	36D8700	Washer, thrust, at hinges	4	DTD364B	MR	JA8/670

FUSELAGE
CREW'S NACELLE

Ref. No.	Part No.	Description	No. off	Mati. Spec.	Cl. of St.	Plate and Illust'n No.
					M.R.	
		1 2 3 4				
		STRUCTURE, CREW'S NACELLE (186D9428) (Cont'd)				
		FAIRINGS, ON CANOPY (D10492)				
		Spares for:—				
	3D10492/W	FAIRING, INBOARD, PORT, WHITE, GROUP	1	—	MR	JA10/671
	3D10492/P	FAIRING, INBOARD, PORT, PRIMERED, GROUP (Mod. 1877)	1	—		
1433330	3D10492/EP	FAIRING, INBOARD, PORT, POLYURETHENE FINISH (Mod. 2129)	1	—	MR/C	
	4D10492/W	FAIRING, INBOARD, STARBOARD, WHITE, GROUP	1	—	MR	JA10/672
	4D10492/P	FAIRING, INBOARD, STARBOARD, PRIMERED, GROUP (Mod. 1877)	1	—		
	4D10492/EP	FAIRING, INBOARD, STARBOARD, POLYURETHENE FINISH (Mod. 2129)	1	—		
	5D10492/W	FAIRING, INTERMEDIATE, PORT, WHITE, GROUP	1	—	MR	JA10/673
	5D10492/P	FAIRING, INTERMEDIATE, PORT, PRIMERED, GROUP (Mod. 1877)	1	—		
	5D10492/EP	FAIRING, INTERMEDIATE, PORT, POLYURETHENE FINISH (Mod. 2129)	1	—		
	6D10492/W	FAIRING, INTERMEDIATE, STAR- BOARD, WHITE, GROUP	1	—	MR	JA10/674
	6D10492/P	FAIRING, INTERMEDIATE, STAR- BOARD, PRIMERED, GROUP (Mod. 1877)	1	—		
143333	6D10492/EP	FAIRING, INTERMEDIATE, STAR- BOARD, POLYURETHENE FINISH (Mod. 2129)	1	—	MR/C	
6071	7D10492/W	FAIRING, OUTBOARD, PORT, WHITE, GROUP	1	—	MR/C	JA10/675
	7D10492/P	FAIRING, OUTBOARD, PORT, PRIMERED, GROUP	1	—		
1433334	7D10492/EP	FAIRING, OUTBOARD, PORT, POLYURETHENE FINISH (Mod. 2129)	1	—	MR/C	
6072	8D10492/W	FAIRING, OUTBOARD, STARBOARD, WHITE, GROUP	1	—	MR/C	JA10/676
	8D10492/P	FAIRING, OUTBOARD, STARBOARD, PRIMERED, GROUP (Mod. 1877)	1	—		
1433335	8D10492/EP	FAIRING, OUTBOARD, STARBOARD, POLYURETHENE FINISH (Mod. 2129)	—	—		
28S/6833	S970	Screw, P.K. Type "Z" No. 2 x 3/16" long	14	—	C	
	147D8623	Fairing, canopy, rear	1	L.121 or 721		JA10/677
		FAIRING, SEXTANT, ON COCKPIT RAIL (D10093)				
		Spares for:—				
	1D10093	Fairing, port	1	L72	MR	JA12/678
	3D10093	Fairing, starboard	1	L72	MR	JA12/679
7730	19D8625	Fillet, front, at Windscreen	1	DTD142A	C	JA10/680

FUSELAGE
CREW'S NACELLE

Ref. No.	Part No.	Description	No. off	Matl. Spec.	Cl. of St.	Plate and Illust'n No.
					M.R.	
		1 2 3 4				
		FLOOR ASSEMBLY, CREW'S (D10838)				
		Spares for:—				
	75D8708	Angle, support, at step, port, top	1	L72	MR	JA3/681
	76D8708	Angle, support, at step, starboard, top	1	L72	MR	JA3/682
	77D8708	Angle, support, for electrical shelf starboard	1	L72	MR	JA3/683
	80D8708	Bracket, angle, on floor support at former	2	L72	MR	JA3/684
	81D8708	Bracket, angle, on floor support at former	4	L72	MR	JA3/685
	82D8708	Bracket, angle, on floor support at former	4	L72	MR	JA3/686
	83D8708	Bracket, angle, on floor support at	4	L72	MR	JA3/687
	84D8708	Bracket, angle, on floor supports at	4	L72	MR	JA3/688
	85D8708	Bracket, angle, on floor support at	4	L72	MR	JA3/689
	86D8708	Bracket, angle, on floor supports at	4	L72	MR	JA3/690
	87D8708	Bracket, angle, on floor supports at	4	L72	MR	JA3/691
	151D8708	Bracket, angle, on floor support at	1	L72	MR	JA3/692
		FLOOR STRUCTURE, CREW'S (28D10838)				
		Spares for:—				
1433554	142D8708	Bracket, door jack attachment	2	DTD364B	C	JA3/693
	165D8708	DOOR, ACCESS, TO ENTRANCE DOOR, CLOSING HANDLE, GROUP	1	—	MR	JA3/694
		Spares for:—				
26FP/1156	1SS3888	CATCH, DOOR, GROUP	1	—	B	JA3/695
		Spares for:—				
	1SS3889	Catch	1	DTD443		JA3/696
	1SS3890	Catch, press	1	DTD443		JA3/697
	1SS3880	Frame	1	S3		JA3/698
	164D8708	Hinge (Made from 28N16453 x 3")	1	L72		JA3/699
26FP/2945	1SS4041	Spring	1	Spring Steel	C	JA3/700
	3SS3880	Washer	2	S3		JA3/701
	1D10037	HANDLE, ENTRANCE DOOR, CLOSING, GROUP	1	—	MR	JA3/702
		Spares for:—				
	6D10037	Handle	1	DTD364B		JA3/703
	2D10037	HOUSING, PULLEY, GROUP	1	—		JA3/704
	4D10037	HOUSING, PULLEY, GROUP	1	—		JA3/705
		Consisting of:—				
	MANG. B & B.					
	050714	Bush	1	BS1/1131		JA3/706
	4aD10037	Housing, Pulley	1	DTD364B		JA3/707
	3D10037	Rod, operating	1	S1		JA3/707
	5D10037	Tube, distance	1	S1		JA3/707
	159D8708	Plate, door	1	L72		JA3/708

VULCAN Mk. 2

FUSELAGE
CREW'S NACELLE

Page JA. 43

Ref. No.	Part No.	Description	No. off	Matl. Spec.	Cl. of	Plate and Illust'n No.
					St. M.R.	
		1 2 3 4				
		FLOOR STRUCTURE, CREW'S (28D10838) (Cont'd)				
4731	144D8708	Nut, for sealing plug, port	1	DTD363	C	JA3/709
4732	145D8708	Nut, for sealing plug, starboard	1	DTD363	C	JA3/710
	146D8708	Plug, sealing, at levelling plate	2	DTD363	MR	JA3/711
	23D10838	Stud, mounting, 3/4" dia. x 2-1/4" long .	1	S96		JA3/712
	24D10838	Stud, mounting, 5/8" dia. x 4-1/2" long .	2	S96		JA3/713
12751	48D10838	Washer, bearing, for stud (24D10838) ...	2	DTD130	C	
12752	49D10838	Washer, bearing, for stud (23D10838) ...	1	L72	C	
	194D8708	Guard, foot, at step, starboard	1	L72		
	1V8037	SHELF, FOR ELECTRICAL EQUIPMENT, STARBOARD, GROUP (Pre-Mod. 980)	1	—	MR	
	19V8037	SHELF, FOR ELECTRICAL EQUIPMENT, STARBOARD, GROUP (Mod. 980)	1	—	MR	JA3/714
	18V8037	Spares for:— Stud	3	S94		JA3/715
		FLOOR STRUCTURE, PILOTS' (152D9695)				
	140D9695	Spares for:— BRACKET, RADAR MOUNTING, GROUP	1	—	MR	JA2/716
	25D9558	CHANNEL, EJECTION SEAT RAIL MOUNTING, L.H., GROUP	4	—	MR	JA1/717
	26D9558	CHANNEL, EJECTION SEAT RAIL MOUNTING, R.H., GROUP	4	—	MR	JA1/718
	163D9695	Plate, blanking, starboard (Pre-Mod. 446) ..	1	L72		JA1/719
	183D9695	STRUCTURE, MOUNTING, FOR CENTRE CONSOLE, GROUP	1	—	MR	
	1D9559	STRUT, FLOOR, SUPPORT, FORWARD, GROUP	2	—		JA2/720
	2D9559	STRUT, FLOOR SUPPORT, REAR, GROUP	2	—		JA2/721
	54D8707	Attachments for struts (1 & 2D9559) Bolt, bottom, forward and rear struts ... (Make from A30/11N)	4	—		
	65D9558	Bolt, top, forward and rear struts	4	—		
28M/4095892	A27/NS	Nut	8	—	C	
28P/9429652	SP9/E10	Pin, split	8	—	C	
	73D9558	Strip, insulation, top	4	Fibre glass		
28W/9419479	SP15/N	Washer, bottom	4	—	C	
28W/9419491	SP16/N	Washer, top and bottom	8	—	C	
	28D9558	Washer, special, at ejection seat Channels ..	18	L72		JA1/722
		FORMER 218F (1D8589)				
	10D8589	Spares for:— Former, 218F	1	L72	MR	JA5/723
	33Z7366	Member, cross	1	L72	MR	JA5/724

FUSELAGE
CREW'S NACELLE

Ref. No.	Part No.	Description	No. off	Mati. Spec.	Cl. of	Plate
					St. M.R.	and Illust'n No.
		1 2 3 4				
		STRUCTURE, CREW'S NACELLE (1B6D9420) (Cont'd)				
		FORMER 232F (1D8590)				
		Spares for:-				
	4D8590	Former 232F, port	1	L72	MR	JA5/725
	5D8590	Former 232F, starboard	1	L72	MR	JA5/726
		FORMER 246 (1D10971)				
		Spares for:-				
	3D10971	Former 246F, port	1	L72	MR	JA5/727
	6D8591	Former 246F, starboard	1	L72	MR	JA5/728
		FORMER 260F (1D8592)				
		Spares for:-				
	3D8592	Former 260F, port	1	L72	MR	JA5/729
	4D8592	Former 260F, starboard	1	L72	MR	JA5/730
		FORMER 274F (1D8593)				
		Spares for:-				
	3D8593	Former 274F, port	1	L72	MR	JA5/731
	4D8593	Former 274F, starboard	1	L72	MR	JA5/732
		FORMER 288F (1D8594)				
		Spares for:-				
	3D8594	Former 288F, port	1	L72	MR	JA5/733
	4D8594	Former 288F, starboard	1	L72	MR	JA5/734
		FORMER 302F (1D9426)				
		Spares for:-				
	3D9426	Former 302F, Port	1	L72	MR	JA5/735
	2D9526	Former 302F, starboard	1	L72	MR	JA5/736
	1D9425	FORMER 316F, PORT, GROUP	1	-	MR	JA5/737
	2D9425	FORMER 316F, STARBOARD, GROUP	1	-	MR	JA5/738
		Spares for:-				
26FP/2722	A/SS855	Adaptor, oxygen pipe, port	1	Brass	C	
	A/SS857	Washer, for adaptor	1	-		
		FORMER 330F (1D9424)				
		Spares for:-				
	2D9424	Former 330F, port	1	L72	MR	JA5/739
	3D9424	Former 330F, starboard	1	L72	MR	JA5/740
		FORMER 344F (1D9423)				
		Spares for:-				
	2D9423	Former 344F, port	1	L72	MR	JA5/741
	3D9423	Former 344F, starboard	1	L72	MR	JA5/742
		FORMER 358F (1D9422)				
		Spares for:-				
	2D9422	Former 358F, port	1	L72	MR	JA5/743
	3D9422	Former 358F, starboard	1	L72	MR	JA5/744

VULCAN ML. 2

FUSELAGE
CREW'S NACELLE

Page JA. 45

Ref. No.	Part No.	Description	No. off	Matl. Spec.	Cl. of St.	Plate and Illust'n No.
					M.R.	
		1 2 3 4				
		STRUCTURE CREW'S NACELLE (186D9420) (Cont'd.)				
	1D9390	FORMER 372F	1	—		
		Spares for:—				
	5D9390	Plate, joint, bottom	3	S3	MR	JA5/745
	6D9390	Plate, joint, top	2	S3	MR	JA5/746
	2D9390	Sector, former, starboard	1	DTD364B	MR	JA5/747
	3D9390	Sector, former, bottom	1	DTD364B	MR	JA5/748
	4D9390	Sector, former, port	1	DTD364B	MR	JA5/749
	7D9390	Sector, former, top	1	DTD364B	MR	JA5/750
		INSTALLATION OF PERISCOPE SIGHTING AND FAIRING, TOP AND BOTTOM (1-2D10442)				
		Spares for:—				
	10SS4353	Bolt, at sighting heads	68	—		
	5D10442	COVER, BOTTOM, INNER, GROUP	1	—		JA12/751
		Attachments—Cover (5D10442)				
	AS1248/1C	Bolt	12	—	C	
28D/1007982 28W/9419454	SP10/C	Washer	12	—	C	
6086	3D10442	Cover, fairing, bottom, forward	1	L59	C	JA12/752
6088	10D10442/W	Cover, fairing, top, forward, white	—	L59	C	
	10D10442/C	Cover, fairing, top forward	1	L59		
		camouflaged (Mod. 1877)				
	10D10442/PC	Cover, fairing, top, forward polyurethane finish (Mod. 2129)	1	L59		JA12/753
	KELVIN HUGHES Z157/EX16	HEAD SIGHTING TOP, GROUP	1	—		
		(Pre-Mod. 2265)				
		Comprising of:—				
		Baseplate	1	—		
	KELVIN HUGHES Z157-58	Fairing, upper	1	—		
	KELVIN HUGHES Z157-92	Window	1	—		
	KELVIN HUGHES					
		HEAD SIGHTING TOP, GROUP	—	—	—	JA12/754
		(Mod. 2265)				
		Comprising of:—				
1510650	KELVIN HUGHES Z157-A246	Baseplate (Mod. 2265)	1	—	C	
1510649	KELVIN HUGHES Z157-A247	Fairing, upper (Mod. 2265)	1	—	C	
1510648	KELVIN HUGHES Z157-A224	Window (Mod. 2265)	1	—	B	
	Z157-1197	Label (Mod. 2265)	1	—		
	Z100-781	Label (Mod. 2265)	1	—		

FUSELAGE
CREW'S NACELLE

Ref. No.	Part No.	Description	No. off	Matl. Spec.	Cl. of St.	Plate and Illust'n No.
					M.R.	
		1 2 3 4				
		INSTALLATION OF PERISCOPE SIGHTING AND FAIRING, TOP AND BOTTOM (1-2D10442) (Cont'd.)				
6090	KELVIN HUGHES Z157/EX17	HEAD, SIGHTING, BOTTOM, GROUP (Pre-Mod. 2265) Comprising of:—	1	—	B	
	KELVIN HUGHES —	Baseplate (Pre-Mod. 2265)	1	—		
	KELVIN HUGHES Z157/59	Fairing, lower (Pre-Mod. 2265)	1	—		
	KELVIN HUGHES Z157/92	Window (Pre-Mod. 2265)	1	—		
	KELVIN HUGHES —	HEAD, SIGHTING, BOTTOM, GROUP (Mod. 2265, Part B) Comprising of:—	1	—	—	JA12/755
1510651	KELVIN HUGHES Z157-A245	Baseplate (Mod. 2265)	1	—	C	
1510652	KELVIN HUGHES Z157-A248	Fairing, lower (Mod. 2265)	1	—	C	
	KELVIN HUGHES Z157-1196	Label (Mod. 2265)	1	—		
	KELVIN HUGHES Z100-781	Label (Mod. 2265)	1	—		
1510648	KELVIN HUGHES Z157-A244	Window (Mod. 2265)	1	—	B	
	—	INSULATION, HEAT (1Z9721)	—	—		
		(See Equipment, Aircraft-Fireproofing and Soundproofing)				
27VA/ 4625765	DUNLOP AC11118	Jack, door, port	1	—	A	JA8/756
27VA/ 4625766	AC11116	Jack, door, starboard	1	—	A	JA8/757
		Attachments—Jacks (AC11116-AC11118)				
28D/1213826	A30/9N	Bolt, bottom	2	—	C	
	A30/11N	Bolt, top	2	—		
28M/13759	A27/NS	Nut	4	—	C	
28P/9429652	SP9/E10	Pin, split	4	—	C	
28W/9419491	SP16/N	Washer	4	—	C	
	1D8732	LONGERON, AFT, PORT, GROUP	1	—	MR	JA11/758
	2D8732	LONGERON, AFT, STARBOARD, GROUP .	1	—	MR	JA11/759

VULCAN MK. 2

FUSELAGE
CREW'S NACELLE

Page JA. 47

Ref. No.	Part No.	Description	No. off	Mati. Spec.	Cl. of St.	Plate and Illust'n No.	
					M.R.		
		1	2	3	4		
	—	MECHANISM, DOOR MAIN ENTRANCE (1D10033)	—	—			
	52D10033	Spares for:— BOX CONTROL, ASSEMBLY, MAIN ENTRANCE DOOR, STATION 247, GROUP (Mod. 624)	1	—	—	JA8/760	
2448	20D9022	Spares for:— BEARING, INBOARD, GROUP	2	—	B	JA8/761	
1432847	45D10033	COVER, CONTROL BOX, GROUP	1	—	C		
13370	86D10033	Handle	1	S520	C	JA8/762	
	95D10033	Knob, control (Pre-Mod. 2154)	1	—	MR	JA8/763	
	95bD10033	Strip, luminous (Pre-Mod. 2154)	1	—			
	98D10033	Knob, control (Mod. 2154)	1	—	MR		
6116055	SAUNDER'S ROE LTD. SR3-1819	Marker, Betalite (Mod. 2154)	1	—	C		
	66SS6001	Label, emergency	1	DTD213			
	418SS6001	Label, door safe—not safe	1	DTD213			
5CX/1085815	—	Lamp, red without night screen	1	—	B	JA8/764	
5CX/4330033	—	Lamp, green, with night screen	1	—	B	JA8/765	
	48D10033	Lever (Item 1D11171 may be used as an alternative)	1	DTD130	—	JA8/766	
	S.R.N.E. 036-B	Marker, Betalite (Mod. 2154)	2	—	MR		
	53D9022	MOUNTING, LAMP, GROUP	1	—	MR	JA8/767	
	35D9022	PLATE, INBOARD, GROUP	1	—	MR	JA8/768	
	27D9022	PRESSING, TOP, GROUP	1	—	MR	JA8/769	
	20D10033	Spring, for handle	2	—	MR	JA8/770	
11204	63D10033	SPRING, CATCH, GROUP (Mod. 1157)	1	—	B	JA8/771	
	75D10033	Spares for:— Catch	1	S14			
	64D10033	Housing, catch	1	—			
	66D10033	Pin	1	S21			
	139SS4700	Spring	1	Spring Steel			
17446	97D10033	Strip, luminous (Pre-Mod. 2154)	2	—	C		
	19D9022	Tube, torque, for lever	1	T45	—	JA8/772	
27VA/4625763	DUNLOP AC04578	Valve, sequenced (See AP.4515C, Vol. ... 3, Sect. 2, Chap. 55)	1	—	A	JA8/773	
	7D10033	Button, for closing valve	1	DTD364B	MR	JA8/774	

FUSELAGE
CREW'S NACELLE

Ref. No.	Part No.	Description	No. off	Matl. Spec.	Cl. of St.	Plate and Illust'n No.
					M.R.	
		1 2 3 4				
13164	44D10033	MECHANISM, DOOR MAIN ENTRANCE (1D10033) (Cont'd.)				
		CABLE, BOWDEN, DOOR CLOSING GROUP	1	—	C	JA8/775
		Consisting of:—				
29H/8006529	BOWDEN P19/1	Cable, inner, 7'.0" long	1	—	C	
29H/1250084	BOWDEN B1	Conduit, outer, Bowdenite x 6'.5"	1	—	C	
29H/9990759	BOWDEN PN979B	Ferrule, plain	2	—	C	
29H/4105	BOWDEN PM1399	Nipple (Plain type)	1	—	C	
29H/9990700	BOWDEN PM1588	Nipple (Trunnion type)	1	—	C	
28M/1007403	A27/ET BOWDEN PN484	Nut, 1/4" BSF, thin	2	—	C	
		Stop, plain adjustable	1	—		
	31D10033	GUARD, CABLE, GROUP	1	—	—	JA8/776
	1D10038	HOUSING, MICRO-SWITCH, GROUP	1	MR/B		JA8/777
		Spares for:—				
2834	4D10038 DOWTY	Spring	1	—	C	
5CW/4752	C1831Y Mk. 1	Switch	1	—	A	JA8/778
5CW/1124465	—	Switch, micro	1	—	B	JA8/779
	6D10033	Housing, for plunger	1	DTD364B	—	JA8/780
	—	MOUNTING, SEQUENCE VALVE FOR ENTRANCE DOOR SEAL INFLATION (1Q1896)	—	—		
		Spares for:—				
2835	2Q1896	BRACKET, MOUNTING, GROUP	1	—	MR	JA8/781
2839	3Q1896	Lever	1	S96	C	JA8/782
2836	7Q1896	Packing	1	BSS668	C	JA8/783
2837	4Q1896	Pin, fulcrum	1	S96 or S11	C	JA8/784
27VA/ 4619877	5Q1896 DUNLOP ACO1297	Pin, lever stop	1	S1	C	JA8/785
2838	6Q1896	Valve, sequence (See AP.4515C, Vol. 3, Part 1, Sect. 1, Chap. 55)	1	—	A	JA8/786
		Washer, spacer	1	S96 or S11	C	JA8/787
	9D9022	PIN, LOCKING, GROUP	2	—	MR	JA8/788
		Consisting of:—				
	9aD9022	Pin	1	K Monel		
	9bD9022	Washer	1	L72		
	28D9022	Washer, sealing (Gaco)	1	Rubber	—	JA8/789
	9D10033	PLUNGER AT DOOR CLOSING VALVE, GROUP	1	—	—	JA8/790
	9aD10033	Bar	—	DTD364B		
	9bD10033	Seal, rubber (Gaco)	—	G40 or P45	—	JA8/791

FUSELAGE
CREW'S NACELLE

Ref. No.	Part No.	Description	No. off	Matl. Spec.	Cl. of St.	Plate and Illust'n No.
					M.R.	
		1 2 3 4				
MECHANISM, DOOR MAIN ENTRANCE (1D10033) (Cont'd)						
27VA/4626244	17D10033	Plunger, at micro switch	1	S1	MR	JA8/792
	DUNLOP AC60130	Ram, pneumatic (See AP.4515C, Vol. 3, ... Part 1, Sect. 2, Chap. 55)	1	—	A	JA8/793
2577	11D10033	ROD, CONNECTING TO OUTSIDE	1	—	MR	JA8/794
1913	47D9022	ROD, CONNECTING TORQUE SHAFT TO CONTROL BOX, GROUP	1	—	B	JA8/795
28M/1011470	7D9022	Spares for:— Fitting, end	1	S1		JA8/796
	A27/GT	Nut, thin, 5/16" BSF	1	—	C	JA8/797
11925 9411	2D10033	SHAFT, TORQUE, FOR HANDLE,	1	—	MR	
		GROUP (Pre-Mod. 1283) Spares for:—				
	6D9022	Bush	1	S1	C	
	5D10033	Collar	1	DTD364B	C	
	61D9022	HANDLE, OUTSIDE, GROUP	1	—	MR	
	2D9022	HOUSING, HANDLE, GROUP	1	—	MR	
	3D9022	Lever	1	S3	MR	
	4D10033	Lever	1	DTD364B		
6758	WILMOT BREEDON 7/5527/1RH	Lock	1	—	MR	
	75D9022	Lug	1	T45	MR	
	37D10033	Seal, rubber	1	DTD552	C	
	3D10033	Shaft, torque	1	T45		
1433427	—	SHAFT, TORQUE AND HOUSING FOR ... HANDLE (72D10033) (Mod. 1283, Pre-Mod. 2350) AND	1	—		JA8/798
		(99D10033) (Mod. 2350) Spares for:—				
11925	70D10033	Block, stop (Mod. 1283, Pre-Mod. 2350)	1	L65	C	
	3D14393	Block, stop (Mod. 2350)	1			
	6D9022	Bush	1	S1	C	
	2D9022	HOUSING, HANDLE, GROUP	1	—	MR	JA8/799
	2D14393	(Mod. 1283, Pre-Mod. 2350) HOUSING, HANDLE, GROUP	1	—		JA8/799
		(Mod. 2350)				
6116078	—	SHAFT, TORQUE, GROUP (67D10033) .. (Mod. 1283, Pre-Mod. 2350) AND	1	—		JA8/800
		(1D13953) (Mod. 2350) Spares for:—				
	61D9022	HANDLE, OUTSIDE, GROUP	1	—	MR	JA8/801
	2D13953	(Mod. 1283, Pre-Mod. 2350) HANDLE, OUTSIDE, GROUP	1	—	C	JA8/801
	2aD13953	(Mod. 2350) Spares for:— Cam (Made from G3) (Mod. 2350)	1	—		

FUSELAGE
CREW'S NACELLE

Ref. No.	Part No.	Description	No. off	Matl. Spec.	Cl. of St.	Plate and Illust'n No.	
					M.R.		
		1 2 3 4					
12918	61aD9022	Handle (Mod. 1283, Pre-Mod. 2350)	1	—			
	3D13953	Handle (Mod. 2350)	1	—			
	68D10033	Lever (Mod. 1283, Pre-Mod. 2350)	1	DTD130	C	JA8/802	
	3D9022	Lever (Mod. 1283, Pre-Mod. 2350)	1	S3	MR	JA8/803	
	WILMOT BREEDEN 7/5527/1RH	Lock (Mod. 1283, Pre-Mod. 2350)	1	—	MR	JA8/804	
	WILMOT BREEDEN S362	Lock (Mod. 2350)	1	—		JA8/804	
	EATON, YALE & TOWN 75D9022	Lug)	1	T45	MR		
	71D10033	Screw, special) Mod. A31/C24) 1283	1	S93	MR	JA8/805	
	6758	37D10033	Seal, rubber) Pre-Mod. 2350	1	DTD522	C	JA8/806
		3D10033	Shaft, torque)	1	T43		JA8/807
69D10033		Stop, collar)	1	S96	MR	JA8/808	
12436	1D12170	SHAFT, TORQUE, FORWARD, GROUP	1	—	A	JA8/809	
		(Mod. 1543) Consisting of:—					
	10D12170	Bolt, eye, 3/8" dia. x 2.75" long	1	S93	MR		
	11D12170	Bolt, eye, 1/2" dia. x 2.8" long	1	S96	MR		
	57D9022	Bolt, eye, 3/8" dia. x 2.5" long	1	S1			
	5D9026	BRACKET, SUPPORT, GROUP	2	—		JA8/810	
	6D9026	BRACKET, SUPPORT, GROUP	1	—		JA8/811	
		Consisting of:—					
	5aD9026	Forging for (5D9026)	1	DTD683			
	6aD9026	Forging for (6D9026)	1	DTD683			
2A/9500419 17946	T17	Race, ball	1	—	B		
	12SS5880	Washer, securing (No. 12)	1	—	C		
	6D12170	Collar	1	L62			
	3D12170	Lever	1	S96	MR	JA8/812	
	3D9026	Lever	1	DTD683	MR	JA8/813	
	9D12170	Lever, cam	1	S92		JA8/814	
	4D12170	Lever, dog	1	S96		JA8/815	
	5D12170	Lever, dog	1	S96		JA8/816	
	28N/9156370	Nipple, grease	2	—	C		
	28M/1012015	Nut, 2 BA	3	—	C		
28M/9480017	Nut, 1/4" BSF	1	—	C			
28P/4668992	Pin, taper	4	—	C			
28P/15823	Pin, taper	6	—	C			
28W/9419405	2D12170	Tube, 10G x 1-1/16" o/d x 2.2" long	1	T45			
	SP15/E	Washer	1	—	C		
	6D10043	Washer (Made from AS1905/C8)	6	—			
	8D10033	Spring for plunger (9D10033)	1	—	MR	JA8/817	
	66D9022	Spring, tension	4	—	MR	JA8/818	
	1D10035	VALVE, ENTRANCE DOOR CLOSING, GROUP	1	—		JA8/819	
		Spares for:—					
	2584	8D10035	Bolt, special	1	S96	C	JA8/820
		9D10035	Block, guide	1	DTD364A		JA8/821
		2D10035	BRACKET, MOUNTING, GROUP	1	—		

FUSELAGE
CREW'S NACELLE

Ref. No.	Part No.	Description	No. off	Matl. Spec.	Cl. of St.	Plate and Illust'n No.
					M.R.	
		1 2 3 4				
		VALVE, ENTRANCE DOOR CLOSING, GROUP (Cont'd)				
2581	5D10035	LEVER, L.H., GROUP	1	—	C	JA8/822
2580	6D10035	LEVER, R.H., group	—	—	C	JA8/823
	6aD10035	Spares for:— Bush, oilite	2	BS1131		
2583	10D10035	Pin, special	1	S96	C	JA8/824
2582	7D10035	Spring	1	DTD215	C	JA8/825
2579	3D10035	VALVE, SEQUENCE, GROUP	1	—	A	JA8/826
	4D10035	Consisting of:— End, eye	1	S96		
27VA/4625829	DUNLOP ACO3297	Valve, sequence (See AP.4515C, Vol. 3, Part 1, Sect. 2, Chap. 55)	1	—	A	JA8/827
27VA/4625825	DUNLOP ACM7452	Valve, pressure reducing, 400-25-PSI (See AP.4515C, Vol. 3, Part 1, Sect. 2, Chap. 55)	1	—	A	JA8/828
	1D12606	VALVE, SEAL INFLATION AND LEVER, GROUP (Mod. 1543)	1	—	MR	JA8/829
		Spares for:—				
2833	6D10036	Bolt, special	2	S96	C	JA8/830
2832	5D10036	Lever	1	S82	C	JA8/831
	7D10036	Plate, cover	1	L72	—	JA8/832
	2D12606	PLATE, FORWARD, GROUP	1	—		
	DUNLOP ACO1297	Valve, sequence (See AP.4515C, Vol. 3, Part 1, Sect. 2, Chap. 55)	1	—	A	JA8/833
27VA/4619877	ACO1297	Valve, unimatic (See AP.4515C, Vol. 3, Part 1, Sect. 2, Chap. 55)	1	—	A	JA8/834
27VA/4626245	AC60326	MEMBER, CROSS FOR BACK REST SUPPORT (1D10974) (Mod. 503)	—	—		
		Spares for:—				
	3D10974	Angle	1	L72	—	JA12/835
	4D10974	Angle	1	L72	—	JA12/836
	2D10974	Channel	1	L72	MR	JA12/837
		MEMBER, CROSS AT STATIONS 212.75 & 294-45 (1D8784)	—	—		
		Spares for:—				
	5D8784	Bracket, port	1	DTD364B	MR	JA11/838
	6D8784	Bracket, starboard	1	DTD364B	MR	JA11/839
	7D8784	Bracket, port	1	DTD364B	MR	JA11/840
	8D8784	Bracket, starboard	1	DTD364B	MR	JA11/841
	1D8731	LONGERON INTERMEDIATE, PORT, GROUP	1	—	MR	JA11/842
	2D8731	LONGERON INTERMEDIATE, STAR- BOARD, GROUP	1	—	MR	JA11/843
		Spares for:—				
	9D8731	Bracket, angle, port	5	L72	MR	
	10D8731	Bracket, angle, starboard	5	L72	MR	
	11D8731	Bracket, angle, port	5	L72	MR	
	12D8731	Bracket, angle, starboard	5	L72	MR	

FUSELAGE
CREW'S NACELLE

Ref. No.	Part No.	Description	No. off	Mati. Spec.	Cl. of	Plate and Illust'n No.
					St.	
		1 2 3 4				
		LONGERON INTERMEDIATE, STARBOARD, GROUP (Cont'd)				
28D/1008151	A25/4E	Attachments, Brackets (9-10-11-12D8731)				
28M/9480017	AGS2001/E1/66	Bolt	15	—	C	
	13D8731	Nut	15	—	C	
	14D8731	Washer, throat	15	L72		
	3D8784	Washer	15	L72		
		MEMBER, CROSS AFT STATION 212.75", GROUP	—	—	—	JA11/844
	1D9574	MEMBER, CROSS FORWARD, STATION . 294.55", GROUP	1	—	MR	JA11/845
	9D8784	Packing	2	—		
	10D8784	Packing	2	—		
		REPAIR, MATERIAL FOR STRUCTURE ...	—	—		
		Spares for:—				
	1SS4219	Sheet, corrugated	32	L72	MR	
	2SS4219	Sheet, corrugated	33	L72	MR	
	3SS4219	Sheet, corrugated	64	L72	MR	
2455	183SS1793	Stringer, section	100	L72	MR/C	
		ft.				
	211SS1793	Stringer, section	400	L72	MR	
		ft.				
	224SS1793	Stringer, section	100	L72	MR	
		ft.				
2458	244SS1793	Stringer, section	100	L72	MR/C	
		ft.				
	248SS1793	Stringer, section	100	L72		
		ft.				
2466	325SS1793	Stringer, section	300	L72	MR/C	
		ft.				
2465	337SS1793	Stringer, section	100	L72	MR/C	
		ft.				
	379SS1793	Stringer, section	200	L72	MR	
		ft.				
	413SS1793	Stringer, section	60	L72	MR	
		ft.				
2460	420SS1793	Stringer, section	150	L72	MR/C	
		ft.				
	582SS1793	Stringer, section	300	L72	MR	
		ft.				
2462	751SS1793	Stringer, section	100	L72	MR/C	
		ft.				
		SPINNING, CREW'S NACELLE (1D9544) ...	—	—		
		Spares for:—				
	12D9544	Cover, slinging points at rear pressure bulkhead	2	L72	—	JA12/846
		MOUNTING AIR CONDITIONING, GROUND CHARGING CONNECTION (1Z10585) (Mod. 1393)	—	—		
		Spares for:—				
28E/9129563	AGS605/5 NORMALAIR 525320	Clip, hose	2	—	C	JA12/847
		Connection, ground for cabin air 5" dia.	1	—	—	JA12/848
11622	4Z10585	DUCT, GROUP	1	—	C	JA12/849
11624	7Z10585	Gasket	1	DTD762	C	JA12/850
11623	5Z10585	HOLDER, VALVE, GROUP	1	—	A	JA12/851
		Spares for:—				
	8Z10585 NORMALAIR 525420 11Z10585	GUARD, GROUP	1	—	—	JA12/852
		Valve, 3.0" dia. non-return	1	—	—	JA12/853
		Shield, rubbing	1	S521	—	JA12/854

FUSELAGE
CREW'S NACELLE

Ref. No.	Part No.	Description	No. off	Matl. Spec.	Cl. of	Plate
					St. M.R.	and Illust'n No.
		1 2 3 4				
		SKINNING, CREW'S NACELLE (1D9544) (Cont'd)				
	13D9544	Panel, skin, stringers 1 to 7, port	1	L72		JA5/855
	14D9544	Panel, skin, stringers 7 to 14, port	1	L72		JA5/856
	15D9544	Panel, skin, stringers 14 to 21, port	1	L72		JA5/857
	16D9544	Panel, skin, stringers 21 to 27, port	1	L72		JA5/858
	17D9544	Panel, skin, stringers 27 to 33, starboard ...	1	L72		JA5/859
	18D9544	Panel, skin, stringers 33 to 40, starboard ...	1	L72		JA5/860
	19D9544	Panel, skin, stringers 40 to 47, starboard ...	1	L72		JA5/861
	20D9544	Panel, skin, stringers 47 to 1, starboard	1	L72		JA5/862
	21D9544	Panel, skin, stringers 6 to 7, port, forward ..	1	L72		JA5/863
	22D9544	Panel, skin, stringers 47 to 48, starboard, ... forward	1	L72		JA5/864
		SCHEME, REPAIR, FOR REINFORCING STRINGER BRACKETS AT FORMER 204, (1D12452) (See AP4505B, Vol. 6)				
		SKINNING, AROUND PERISCOPE FAIRING BOTTOM, AND TOP (1 & 2D10408)				
		Spares for:-				
	9D10408	Bracket, attachment, bottom	1	L72		JA12/865
	8D10408	Intercostal, bottom	1	L72		JA12/866
	11D10408	Skin, packing, top	1	L72		JA12/867
	13D10408	Skin, packing, bottom	1	L72		JA12/868
	10D10408	Skin, reinforcing, top	1	L72		JA12/869
	12D10408	Skin, reinforcing, bottom	1	L72		JA12/870
		STRUCTURE, SECONDARY, BOMB AIMER'S BLISTER (188D9428)				
		Spares for:-				
	1D10688	BLISTER, BOMB AIMERS, GROUP	1	-		JA11/871
		Spares for:-				
	39D9462	ARM, SUPPORT, PORT, GROUP	1	-		
		(Pre-Mod. 1448)				
	9D10688	ARM, SUPPORT, PORT, GROUP	1	-		JA11/872
		(Mod. 1448)				
	40D/9462	ARM, SUPPORT, STARBOARD,	1	-		JA11/873
		GROUP				
		Spares for:-				
	CARR LTD. N248	Stud, single	3	-	C	
	1D9473	FORMER, 309, GROUP	1	-	MR	JA11/874
	1D9474	FORMER, 302, GROUP	1	-	MR	JA11/875
	1D9472	FORMER, 316, GROUP	1	-	MR	JA11/876
	1D9471	FORMER, 323, GROUP	1	-	MR	JA11/877
	1D11336	FORMER, 330, GROUP (Mod. 689)	1	-	MR	JA11/878

VULCAN Mk. 2

FUSELAGE
CREW'S NACELLE

Page JA. 53

Ref. No.	Part No.	Description	No. off	Matl. Spec.	Cl. of St.	Plate and Illust'n No.
					M.R.	
		1 2 3 4				
		BLISTER, BOMB AIMER'S (1D10688) (Cont'd.)				
	1D9469	FORMER, 337, GROUP	1	—	MR	JA11/879
	1D9468	FORMER, 344, GROUP	1	—	MR	JA11/880
	1D9466	FORMER, 351, GROUP	1	—	MR	JA11/881
	1D9465	FORMER, 358, GROUP	1	—	MR	JA11/882
	1D9464	FORMER, 362, GROUP	1	—	MR	JA11/883
	1D9463	FORMER, 367, GROUP	1	—	MR	JA11/884
	1D9467	FORMER, INCLINED, GROUP	1	—	MR	JA11/885
		JOINT, FRONT, OUTBOARD LONGERON PORT AND STAR- BOARD (D9546)				
		Spares for:—				
	3D9546	Bracket, front, outboard, port	1	DTD683	MR	JA11/886
	4D9546	Bracket, front, outboard, starboard ...	1	DTD683	MR	JA11/887
	5D9546	BRACKET, FRONT INBOARD,	1	—	MR	JA11/888
		GROUP				
	6D9546	BRACKET, FRONT INBOARD,	1	—	MR	JA11/889
		GROUP				
		JOINT, FORWARD, INNER LONGERON, PORT AND STAR- BOARD (D9486)				
		Spares for:—				
	3D9486	Bracket, attachment, outer port	1	DTD683	MR	JA11/890
	4D9486	Bracket, attachment, outer	1	DTD683	MR	JA11/891
		starboard				
	7D9486	Bracket, inner, top, port	1	DTD546		JA11/892
	8D9486	Bracket, inner, top, starboard	1	DTD546		JA11/893
	9D9486	Bracket, outer, top, port	1	DTD546		JA11/894
	10D9486	Bracket, outer, top, starboard	1	DTD546		JA11/895
	11D9486	BRACKET, OUTER, TOP, PORT	1	—		JA11/896
		FORWARD, GROUP				
	12D9486	BRACKET, OUTER, TOP STAR- BOARD, FORWARD, GROUP	1	—		JA11/897
2412	19D9486	BRACKET, FORWARD OF	1	—		JA11/898
		PRESSURE, DOME, PORT, GRP				
	20D9486	BRACKET, FORWARD OF	1	—		JA11/899
		PRESSURE, DOME, STAR- BOARD, GROUP				

FUSELAGE

CREW'S NACELLE

Ref. No.	Part No.	Description	No. off	Mati. Spec.	Cl. of St.	Plate and Illust'n No.
					M.R.	
		1 2 3 4				
		BLISTER, BOMB AIMER'S (1D10688) (Cont'd.)				
		JOINT, FRONT CURVED MEMBER, PORT AND STARBOARD (D9573)				
		Spares for:—				
	33D9473	Angle, port	1	L72		JA11/900
	34D9573	Angle, starboard	1	L72		JA11/901
	39D9573	ANGLE, ATTACHMENT, PORT, GROUP	1	—	MR	JA11/902
	40D9573	ANGLE, ATTACHMENT, STARBOARD, GROUP	1	—	MR	JA11/903
	41D9573	ANGLE, ATTACHMENT, PORT, GROUP	1	—	MR	JA11/904
	42D9573	ANGLE, ATTACHMENT, STARBOARD, GROUP	1	—	MR	JA11/905
	43D9573	ANGLE, ATTACHMENT, PORT, GROUP	1	—	MR	JA11/905A
	44D9573	ANGLE, ATTACHMENT, STARBOARD, GROUP	1	—	MR	JA11/906
	45D9573	ANGLE, ATTACHMENT, PORT, GROUP	1	—	MR	JA11/907
	46D9573	ANGLE, ATTACHMENT, STARBOARD, GROUP	1	—	MR	JA11/908
23013	51D9573	Bracket, corner, window frame, starboard (Mod. 2484)	1	DTD683	C	JA11/909
23012	52D9573	Bracket, corner, window frame, port (Mod. 2484)	1	DTD683	C	JA11/910
2420	5D9573	Bracket, corner, curved frame, starboard	1	DTD683	C	JA11/911
2418	6D9573	Bracket, corner, curved frame, port ..	1	DTD683	C	JA11/912
	35D9573	DIAPHRAGM, FORWARD JOINT CURVED MEMBER, STARBOARD, GROUP	1	—		JA11/913
	36D9573	DIAPHRAGM, FORWARD JOINT, CURVED MEMBER, PORT, GROUP	1	—		JA11/914
	3D10688	MEMBER, CUSHION RETAINING, GROUP (Mod. 689) (Pre-Mod. 1448)	1	—	MR	
	8D10688	MEMBER, CUSHION RETAINING, GROUP (Mod. 1448)	1	—	MR	JA11/915
		Spares for:—				
	106SS6004	Label, flex, drive stowage	1	L59		
	107SS6004	Label, stowage, 18 pin	1	L59		
	108SS6004	Label, stowage, 3 pin	1	L59		
28FP/ 7002000	A403	Pin, pip, quick release	2	—	C	
28FP/ 9429531	S4/225	Spring, dzus	2	—	C	

FUSELAGE
CREW'S NACELLE

Ref. No.	Part No.	Description	No. off	Matl. Spec.	Cl. of St.	Plate and Illust'n No.
					M.R.	
		1 2 3 4				
		BLISTER, BOMB AIMER'S (1D10688) (Cont'd)				
	11T4379	PANEL, ACCESS, GROUP	1	—		JA11/916
	41D9462	PLATE, SUPPORT, PORT, GROUP (Pre-Mod. 1448)	1	—	MR	
	11D10688	PLATE, SUPPORT, PORT, GROUP (Mod. 1448)	1	—	MR	JA11/917
	42D9462	PLATE, SUPPORT, STARBOARD, GROUP	1	—	MR	JA11/918
	CARR LTD. N248	Spares for:— Stud, single	3	—	C	
1426	1D9905	RING, WINDOW CLAMPING, GROUP .. Spares for:—	1	—	MR/B	JA11/919
1433795	3D9905	Ring, sealing, 1/32" x .5" x 72"	1	Rubber	MR	JA11/920
	2D9905	Section, clamping	1	DTD124A	C	
	4D9905	Strip, reinforcing, top	1	DTD124A		
	5D9905	Strip, reinforcing, port	1	DTD124A		
	6D9905	Strip, reinforcing, starboard	1	DTD124A		
	7D9905	Strip, reinforcing, bottom	1	DTD124A		
		SKINNING, INNER, O/B OF CURVED FRAME MEMBER, PORT AND STARBOARD (1 & 2D9482)				
		Spares for:—				
	8D9482	Seal, port and starboard	2	DSR201	MR	JA11/921
	3D9482	Skin, front, port	1	L72	MR	JA11/922
	4D9482	Skin, front, starboard	1	L72	MR	JA11/923
	5D9482	Skin, rear, port	1	L72	MR	JA11/924
	6D9482	Skin, rear, starboard	1	L72	MR	JA11/925
1505008	31D9462	Skin, inner, forward, port	1	L72	MR/C	JA11/926
1505009	32D9462	Skin, inner, forward, starboard	1	L72	C	JA11/927
1505007	43D9462	Skin, outside blister, forward former 344	1	L72	C	JA11/928
	4D10688	Skin, inner, aft of former 344	1	L72	MR	JA11/929
12793	5D10688	Skin, outer, aft of former 344	1	L72	C	JA11/930
26TA/4339	2210252	Valve, assembly, drain (Mod. 2202)	2	—	B	
	2212215	Wick, paraffin (Mod. 2202)	12	—		
		STRUCTURE, AT REAR OF BLISTER (D9548)				
		Spares for:—				
	17D9548	Angle, port	1	L72	MR	JA11/931
	18D9548	Angle, starboard	1	L72	MR	JA11/932
	13D9548	Angle, skin	2	L72	MR	JA11/933
	20D9548	Angle, skin	2	L72	MR	JA11/934
	21D9548	Channel	1	L72	MR	JA11/935
	22D9548	Channel	1	L72	MR	JA11/936
	23D9548	Channel, forward	1	L72	MR	JA11/937
	24D9548	Channel, aft	1	L72	MR	JA11/938

FUSELAGE
CREW'S NACELLE

Ref. No.	Part No.	Description	No. off	Matl. Spec.	Cl. of St.	Plate and Illust'n No.
					M.R.	
		1 2 3 4				
STRUCTURE, AT REAR OF BLISTER (D9548) (Cont'd)						
	25D9548	Channel, top	1	L72	MR	JA11/939
	26D9548	Channel, bottom	1	L72	MR	JA11/940
	3D9548	Intercostal, port	1	L72	MR	JA11/941
	4D9548	Intercostal, starboard	1	L72	MR	JA11/942
	5D9548	Intercostal, port	1	L72	MR	JA11/943
	6D9548	Intercostal, starboard	1	L72	MR	JA11/944
	7D9548	Intercostal, port	1	L72	MR	JA11/945
	8D9548	Intercostal, starboard	1	L72	MR	JA11/946
	9D9548	Intercostal, port	1	L72	MR	JA11/947
	10D9548	Intercostal, starboard	1	L72	MR	JA11/948
	11D9548	Intercostal, port	1	L72	MR	JA11/949
	12D9548	Intercostal, starboard	1	L72	MR	JA11/950
	13D9548	Intercostal, port	1	L72	MR	JA11/951
	14D9548	Intercostal, starboard	1	L72	MR	JA11/952
	28D9548	Packing, 6G x 2" x 2"	1	L72	MR	
	31D9548	Packing, 6G x 2" x 3/4"	4	L72	MR	
	32D9548	Packing, 6G x 2" x 3/4"	4	L72	MR	
	34D9548	Packing, 14G x 2" x 1-1/4"	1	L72	MR	
	36D9548	Packing, 22G x 5-1/2" x 3/4"	4	L72	MR	
	37D9548	Packing, 18G x 2" x 1-1/2"	1	L72	MR	
	39D9548	Packing, top, port	1	L72	MR	
	40D9548	Packing, top, starboard	1	L72	MR	
	41D9548	Packing, bottom, port	1	L72	MR	
	42D9548	Packing, bottom, starboard	1	L72	MR	
	33D9548	Plate, backing	4	L72	MR	JA11/953
	38D9548	Pressing, aft fairing	1	L72	MR	JA11/954
STRUCTURE, CROSS BEAM (D9481)						
Spares for:—						
	28D9481	Angle, attachment	2	L72	MR	JA7/955
	29D9481	Angle, attachment	2	L72	MR	JA7/956
	21D9481	Angle, forward, port	1	L72		JA7/957
	22D9481	Angle, forward, starboard	1	L72		JA7/958
	23D9481	Angle, aft, port	1	L72		JA7/959
2399	24D9481	Angle, aft, starboard	1	L72	MR/C	JA7/960
	4D9481	Angle, top horizontal	1	L72	MR	JA7/961
	5D9481	Angle, inner skin	1	L72	MR	JA7/962
	1D10105	ANGLE, RADOME ATTACHMENT, GROUP (Pre-Mod. 421)	1	—	MR	
	50D10105	ANGLE, RADOME ATTACHMENT, GROUP (Mod. 421)	1	—	MR	JA7/963
1510311	13D10105	Spares for:— SHOE, ATTACHMENT, GROUP ..	6	—	C	JA7/964
	14D10105	SHOE, ATTACHMENT, PORT, GROUP	1	—		JA7/965
	15D10105	SHOE, ATTACHMENT, STARBOARD, GROUP	1	—		JA7/966
	11D10105	Spares for:— Plate, wedge	1	S80	MR	
	13cD10105	Seal	1	DSR503/T	MR	

FUSELAGE
CREW'S NACELLE

Ref. No.	Part No.	Description	No. off	Mati. Spec.	Cl. of St.	Plate and Illust'n No.	
					M.R.		
		1	2	3	4		
		STRUCTURE, CROSS BEAM (D9481) (Cont'd)					
		BEAM, CROSS, FORWARD OF PRESSURE DOME (38D9481)					
		Spares for:—					
	1D9553	BEAM, LATERAL, GROUP	1	—		JA7/967	
	7D9573	Bracket	1	DTD546A		JA11/968	
	8D9573	Bracket, starboard	1	DTD546A		JA11/969	
	11D9573	Bracket, port	1	DTD546A		JA11/970	
	12D9573	Bracket, starboard	1	DTD546A		JA11/971	
2412	19D9486	Bracket, port	1	DTD546A	MR/C	JA11/972	
	20D9486	Bracket, starboard	1	DTD546		JA11/973	
	6D9481	Diaphragm, o/b end port	1	L72		JA7/974	
2390	7D9481	Diaphragm, o/b end, starboard	1	L72	MR/C	JA7/975	
	17D9481	Diaphragm, 3.68", port	1	DTD546A		JA7/976	
	18D9481	Diaphragm, 3.68", starboard	1	DTD546A		JA7/977	
	5T4780	LUG, ATTACHMENT, PORT	1	—	MR	JA7/978	
	6T4780	LUG, ATTACHMENT, STARBOARD, GROUP	1	—	MR	JA7/979	
		BEAM, CROSS, AFT OF PRESSURE DOME (39D9481)					
		Spares for:—					
	9D9573	BRACKET, PORT, GROUP	1	—		JA11/980	
	10D9573	BRACKET, STARBOARD, GROUP	1	—		JA11/981	
	12D9486	BRACKET, STARBOARD, GROUP	1	—		JA11/982	
	13D9573	DIAPHRAGM, JOINT, FORWARD PORT, GROUP	1	—		JA11/983	
	14D9573	DIAPHRAGM, JOINT, FORWARD STARBOARD, GROUP	1	—		JA11/984	
	15D9481	Diaphragm, port, at bomb sight	1	DTD546A		JA7/985	
	16D9481	Diaphragm, starboard, at bomb sight	1	DTD546A		JA7/986	
	29D9573	Packing	2	DTD546A	MR		
	30D9573	Packing	2	DTD546A	MR		
	25D9481	Packing	2	L72	MR		
	14D9481	Panel, vertical	1	L72	MR	JA7/987	
13098	1SS4277	Bolt, special (Non-magnetic)	28	—	MR/C	JA7/988	
	11D9481	CHANNEL, WINDOW, GROUP	1	—		JA7/989	
	9D9481	DIAPHRAGM, WINDOW CHANNEL, GROUP	4	—		JA7/990	
2435	10D9481	DIAPHRAGM, WINDOW CHANNEL, GROUP	4	—	MR/C	JA7/991	

FUSELAGE
CREW'S NACELLE

Ref. No.	Part No.	Description	No. off	Mati. Spec.	Cl. of	Plate and Illust'n No.
					St. M.R.	
		1 2 3 4				
		STRUCTURE, CROSS BEAM (D9481) (Cont'd)				
	33D9481	Member, forward window mounting . . .	1	DTD364B		JA7/992
	20D9481	Packing, 16G x 1" x .75"	8	L72	MR	
	32D9481	Packing, 16G x 1.6" x .75"	2	L72	MR	
	36D9481	Packing, 20G x 5" x .75"	1	L72	MR	
	13D9481	Skin, inner, inboard	1	L72	MR	JA11/993
	26D9481	Skin, inner, outboard, port	1	L72	MR	JA11/994
	27D9481	Skin, inner, outboard, starboard	1	L72	MR	JA11/995
	31D9481	Tee, section, lower	1	L40		JA7/996
	3D9481	Web, bottom	1	L72		JA7/997
	1D9860	Window, bomb aimer's (Pre-mod. 2270) . . .	1	—		JA11/998
	1D13716	Window, bomb aimer's (Mod. 2270)	1	—	MR	
4471	1D10294	STRUT, TELESCOPIC, GROUP	1	—	B	JA10/999
		Spares for:—				
	5D10294	Bolt, swivel	1	S96		JA10/1000
	2D10294	Pivot	1	L65		JA10/1001
	6D10294	PLATE, BRACKET, GROUP	1	—		JA10/1002
		Spares for:—				
	5D10294	Bolt, swivel	1	S96		
28M/1011467	A27/ES	Nut, slotted, 1/4" BSF	1	—	C	
	6bD10294	Plate, bracket	1	L65		
28W/9419405	SP.15/E	Washer, 1/4" BSF	1	—	C	
9781	3D10294	STRUT, AFT, GROUP	1	—	B	JA10/1003
		Spares for:—				
	3eD10294	Knob	1	L65		
	3cD10294	Pin, locking	1	S96		
	3bD10294	Plug	1	S65		
	3aD10294	Spring	1	—		
	4D10294	Tube, assembly	1	Steel		
	7D10294	STRUT, FORWARD, GROUP	1	—		JA10/1004
1433924	182D9428	Tube, drain assy.	1	—	MR	JA12/1005
	191D9428	Tube, drain assy.	1	—	C	JA12/1006
	192D9428	Tube, drain assy.	1	—	MR	JA12/1007
	78D9428	Tube, drain assy. Canopy hinge box	2	—		JA12/1008
		WINDOW, CREW'S, PORT AND STARBOARD (1 & 2D9043)				
		Spares for:—				
	AS1900/G	Clip	2	—	C	
	33D9043	INHIBITOR, GROUP	1	—	MR	JA4/1009
		Consisting of:—				
	44D8625	Inhibitor (Silica-gel) assy.	1	—		
	33bD9043	Plug, perspex, 7/8" dia. x 1-1/2" long . . .	1	Perspex		
	33aD9043	Tube, perspex, 3/4" dia. x 4-1/2" long . . .	1	Perspex		
2754	52D9043	Ring, retaining, window	1	L72	C	JA4/1010

VULCAN No. 2

FUSELAGE
CREW'S NACELLE

Page JA. 59

Ref. No.	Part No.	Description	No. off	Matl. Spec.	Cl. of	Plate and Illust'n No.
					St. M.R.	
		1 2 3 4				
		WINDOW, CREW'S, PORT AND STARBOARD (1 & 2D9043) (Cont'd)				
	53D9043	STRIP, RETAINING, GROUP	3	—		JA4/1011
	35D9043	Tube, rubber, 3/8" o/d x 1/4" i/d x 6" .. long	1	BS2752/C4		
	41D9043	WINDOW, DRY AIR SANDWICH, PORT .. AND STARBOARD, GROUP	2	—	MR	JA4/1012
	40D9043	Consisting of:— CONNECTOR, INHIBITOR, GROUP ...	1	—		
1510099	34bD9043 TRIPLEX LTD. 42D9043 34aD9043	Panel, window, inner	1	Perspex	C	
		Pane, window	1	—		
		Ring, sorbo, 1/2" x 3/16" x 9-3/4" dia. .	1	Rubber	MR	
		WINDSCREEN, GOLD FILM HEATED (77D10456) (Mod. 969)				
		Spares for:—				
11385	29Z9782	Angle, contour	1	L72	C	JA10/1013
	73D10456	BASE FORGING, GROUP	1	—		JA10/1014
		Consisting of:—				
	73aD10456	Base, forging	1	DTD731		
	43D10456	Insert, tapped	6	S1		
28N/16599 28S/6775	AS4601/27 S970	Insert, wire thread, 1/4" BSF	8	—	C	
		Screws, No. 4 P.K. x 1/2" long	12	—	C	
	35D10456 36D10456	Block, catch, direct vision window, port ...	1	—		
		Block, catch, direct vision window,	1	—		
		starboard				
5499	1D10597	DEFLECTOR, RAIN, GROUP	1	—	C	JA10/1015
	2D10456	Frame, centre window	1	DTD410		JA10/1016
	3D10456	Frame, side window, port	1	DTD410		JA10/1017
	4D10456	Frame, side window, starboard	1	DTD410		JA10/1018
	5D10456	Frame, direct vision window, port	1	DTD410		JA10/1019
	6D10456	Frame, direct vision window, starboard	1	DTD410		JA10/1020
	78D10456	FRAME, CLAMPING, CENTRE WINDOW, GROUP	1	—		JA10/1021
		Spares for:—				
28M/4095875	AGS2007/C2	Nut, anchor	24	—	C	
	79D10456	FRAME, CLAMPING, SIDE WINDOW, ... PORT, GROUP	1	—		JA10/1022
		Spares for:—				
28M/4095875	AGS2007/C2	Nut, anchor	21	—	C	
11569	80D10456	FRAME, CLAMPING, SIDE WINDOW, ... STARBOARD, GROUP	1	—	C	JA10/1023
		Spares for:—				
28M/4095875	AGS2007/C2	Nut, anchor	21	—	C	

FUSELAGE
CREW'S NACELLE

Ref. No.	Part No.	Description	No. off	Matl. Spec.	Cl. of St.	Plate and Illust'n No.
					M.R.	
		1 2 3 4				
		WINDSCREEN, GOLD FILM HEATED (77D10456) (Mod. 969) (Cont'd)				
11570	87D10456	FRAME, CLAMPING, CENTRE WINDOW, TOP, GROUP	1	—	C	JA10/1024
		Spares for:—				
	334SS6006	Label, TB. 1183	1	L59		
	335SS6006	Label, TB. 1184	1	L59		
28M/4095875	AGS2007/C2	Nut, anchor	2	—	C	
11571	92D10456	FRAME, CLAMPING, SIDE WINDOW, ... PORT, TOP, GROUP	1	—	C	JA10/1025
		Spares for:—				
	332SS6006	Label, TB. 1181	1	L59		
	333SS6006	Label, TB. 1182	1	L59		
28M/4095875	AGS/2007/C2	Nut, anchor	2	—	C	
11572	93D10456	FRAME, CLAMPING, SIDE WINDOW, ... STARBOARD, TOP, GROUP	1	—	C	JA10/1026
		Spares for:—				
	336SS6006	Label, TB. 1185	1	L59		
	337SS6006	Label, TB. 1186	1	L59		
28M/4095875	AGS2007/C2	Nut, anchor	1	—	C	
	7SS3847	Screw, 2 BA, for windows	36	K. Monel	MR	
	8SS3847	Screw, 2 BA, for windows	42	K. Monel	MR	
	9SS3847	Screw, 2 BA, at wiper stops and terminal .. blocks	12	K. Monel	MR	
	10SS3847	Screw, 2 BA, at wiper stops	2	K. Monel	MR	
10314	51D10456	STOP, WIPER, PORT, GROUP	1	—	C	JA10/1027
10315	52D10456	STOP, WIPER, STARBOARD, GROUP ...	1	—	C	JA10/1028
		Spares for:—				
	51bD10456	Stop, rubber, 1/2" dia. x 1-3/16"	1	Neoprene	MR	JA10/1029
12859	75D10456	STOP, WIPER, PORT, GROUP	1	—	C	JA10/1030
	76D10456	STOP, WIPER, STARBOARD, GROUP ...	1	—	C	JA10/1031
		Spares for:—				
	76cD10456	Stop, rubber, 1/2" dia. x 3/4"	1	NEOPRENE	MR	JA10/1032
5496	33D10456	Strip, sealing	1	L72	C	JA10/1033
6194	53D10456	Strip, sealing, end, port	1	DTD118A	C	JA10/1034
6195	54D10456	Strip, sealing, end, starboard	1	DTD118A	C	JA10/1035
5497	37D10456	TUBE, GUIDE, FOR DIRECT VISION WINDOW, PORT, GROUP	1	—	C	JA10/1036
5498	38D10456	TUBE, GUIDE, FOR DIRECT VISION WINDOW, STARBOARD, GROUP	1	—	C	JA10/1037
	1D13249	WINDOW, GOLD FILM HEATED,	1	—		JA10/1038
		CENTRE, GROUP (Pre-Mod. 2226)				
		Spares for:—				
	4V10712	Block, terminal	1	—		
	4V10713	Block, terminal	1	—		

VULCAN Mk. 2

FUSELAGE
CREW'S NACELLE

Page JA. 61

Ref. No.	Part No.	Description	No. off	Matl. Spec.	Cl. of St.	Plate and Illust'n No.
					M.R.	
		1 2 3 4				
		WINDSCREEN, GOLD FILM HEATED (77D10456) (Cont'd)				
1433612	1D13668	WINDOW, GOLD FILM HEATED CENTRE, GROUP (Mod. 2226) (Pre-Mod. 2402)	1	—	B	
	ENGLISH ELECTRIC NF2116/21	WINDSCREEN, GOLD FILM HEATED ... CENTRE, GROUP (Mod. 2402)	1	—	MR	
	1D13250	WINDOW, SIDE, GOLD FILM HEATED, PORT, GROUP (Pre-Mod. 2226) Spares for:—	1	—		JA10/1039
	11V10710 7V10711	Block, terminal, port Block, terminal, port	1 1	— —		
1433613	1D13669	WINDOW, SIDE, GOLD FILM HEATED, PORT, GROUP (Mod. 2226) (Pre-Mod. 2402)	1	—	B	
	ENGLISH ELECTRIC NF2116/18	WINDOW, SIDE, GOLD FILM HEATED, PORT, GROUP (Mod. 2402)	1	—	B	
1510746	2D13250	WINDOW, SIDE, GOLD FILM HEATED, STARBOARD, GROUP (Pre-Mod. 2226) Spares for:—	1	—		
	12V10710 8V10711	Block, terminal, starboard Block, terminal, starboard	1 1	— —		
1433614	2D13669	WINDOW, SIDE, GOLD FILM HEATED, STARBOARD, GROUP (Mod. 2226) (Pre-Mod. 2264)	1	—	B	
	ENGLISH ELECTRIC NF2116/14	WINDOW, SIDE, GOLD FILM HEATED, STARBOARD, GROUP (Mod. 2264) (Pre-Mod. 2365)	1	—		
1510747	ENGLISH ELECTRIC NF2116/19	WINDOW, SIDE, GOLD FILM HEATED, STARBOARD, GROUP (Mod. 2365)	1	—	B	JA10/1040

FUSELAGE
CREW'S NACELLE

Ref. No.	Part No.	Description	No. off	Matl. Spec.	Cl. of St.	Plate and Illust'n No.
					M.R.	
		1 2 3 4				
5470	1D10458	WINDOW, DIRECT VISION, DRY	1	—	A	JA10/1041
	2D10458	AIR SANDWICH, PORT, GROUP WINDOW, DIRECT VISION, DRY AIR SANDWICH, STARBOARD, GROUP	1	—	MR	JA10/1042
		Spares for:—				
	10D10458	Arm, lever, port and starboard	1	L65		JA10/1043
	9D10458	Bush, in frame for locking	2	S110		JA10/1044
	23D10458	Bush, for locking levers	2	S110		JA10/1045
	11D10458	Catch, window, port	1	L65	MR	JA10/1046
	12D10458	Catch, window, starboard	1	L65	MR	JA10/1047
	7D10458	Frame, window, port	1	L72		JA10/1048
	8D10458	Frame, window, starboard	1	L72		JA10/1049
	17D10458	HANDLE AND LEVER, PORT, GROUP	1	—	MR	JA10/1050
	18D10458	HANDLE AND LEVER, STARBOARD, . GROUP	1	—	MR	JA10/1051
		Spares for:—				
	17aD10458	Handle, port	1	L121		
	18aD10458	Handle, starboard	1	L121		
	17bD10458	Lever	1	L65		
	7D8961	Spring	1	—	MR	JA10/1052
	26D10458	Hinge, forward, port	1	DTD174A	MR	JA10/1053
	25D10458	Hinge, forward, starboard Attachments, Hinges (25 & 26D10458)	1	DTD174A	MR	JA10/1054
28M/9148806 28W/9419475	6SS4232	Bolt, 2 BA	2	—		
	AGS2002/C2	Nut, stiff	2	—	C	
	SP15/C	Washer	2	—	C	
	27D10458	Hinge, rear Attachments, Hinges (27D10458)	1	DTD174A		JA10/1055
28M/9148806 28W/9419475	9SS4232	Bolt, 2 BA	2	—		
	AGS.2002/C2	Nut, stiff	2	—	C	
	SP15/C	Washer	2	—	C	
	13D10458	Lever, locking, forward, port	1	L65	MR	JA10/1056
	14D10458	Lever, locking, forward, starboard	1	L65	MR	JA10/1057
	15D10458	Lever, locking, aft, port	1	L65	MR	JA10/1058
	16D10458	Lever, locking, aft, starboard	1	L65	MR	JA10/1059
	28D10458	Lever, ice breaker and locking	1	K. Monel	MR	JA10/1060
	24D10458	Mounting, lever	1			JA10/1061
	21D10458	ROD, TIE, FORWARD, GROUP	1	—	MR	JA10/1062
	22D104	ROD, TIE, AFT, GROUP Consisting of:—	1	—	MR	JA10/1063
	216D10458	End, fork, R.H.	1	K. Monel		
	21cD10458	End, fork, L.H.	1	K. Monel		
28M/4095943 28M/4095943	A24/ET	Nut, lock, R.H.	1	—	C	
	A24/ETL	Nut, lock, L.H.	1	—	C	
	21aD10458	Rod, tie, forward	1	S110		
	22aD10458	Rod, tie, aft	1	S110		

VULCAN MK 2

FUSELAGE
CREW'S NACELLE

Page JA. 62A

Ref. No.	Part No.	Description	No. off	Matl. Spec.	Cl. of St.	Plate and Illust'n No.
					M.R.	
		1 2 3 4				
		WINDOW, DIRECT VISION, DRY AIR SANDWICH, PORT AND STARBOARD (1 & 2D10458) (Cont'd.)				
	19D10458	Seal, window, port (Make from Item ... SS4361)	1	Rubber	MR	JA10/1064
	20D10458	Seal, window, starboard (Make from ... Item SS4361)	1	Rubber	MR	JA10/1065
	33D10458	Stop, for covers	1	L65		JA10/1066
	31D10458	Strip, retaining, port	1	L72	MR	JA10/1067
	32D10458	Strip, retaining, starboard	1	L72	MR	JA10/1068
	5D10458	WINDOW, DIRECT VISION, DRY AIR SANDWICH, PORT, GROUP	1	—	MR	JA10/1069
	6D10458	WINDOW, DIRECT VISION, DRY AIR SANDWICH, STARBOARD, GROUP	1	—	MR	JA10/1070
	29D10458	Spares for:— DESICCATOR, PORT, GROUP	1	—	MR	JA10/1071
	30D10458	DESICCATOR, STARBOARD, GROUP	1	—	MR	JA10/1072
5K/9517023	SP40/C8	Spares for:— Grommet	1	—	C	
	44D8625	Inhibitor, assembly (Silica-gel)	1	—		JA10/1073
	5bD10458	Pane, perspex, port	1	DTD339		JA10/1074
	6bD10458	Pane, perspex, starboard	1	DTD339		JA10/1075
	TRIPLEX LTD. 3D10458	Pane, window	1	—	A	JA10/1076
1433022	5aD10458	Seal, sorbo, port, 1/2" wide x 3/16" thick	1	Rubber	C	JA10/1077
12568	6aD10458	Seal, sorbo, starboard, 1/2" wide x 3/16" thick	1	Rubber	C	JA10/1078

VULCAN Mk. 2

FUSELAGE
CREW'S NACELLE

Page JA. 63

Ref. No.	Part No.	Description	No. off	Matl. Spec.	Cl. of	Plate and Illust'n No.
					St. M.R.	
		1 2 3 4				
		TRIMMING, CREW'S NACELLE, PORT AND STARBOARD (129726) (See Equipment—Aircraft—Trimming and Floor Covering)				
		UNIT, VERTICAL GYRO, COMPARATOR AND SWITCHING (S2878) (Mod. 2116) Spares for:—				
17564	19S2878	BRACKET, PLUG MOUNTING, GROUP	1	—	C	JA3/242
		Attachments—Bracket, Part No. 19S2878				
28D/9436920	A25/1C	Bolt, 2 BA	4	—	C	
28W/9419402	SP13/C	Washer, 2 BA	4	—	C	
26TA/10902	10SS3865	Clip, Cable, for Gyro and switching unit	1	—	C	JA3/243
		Attachments—Clip, Part No. 10SS3865				
29D/9436920	A25/1C	Bolt, 2 BA	1	—	C	
28W/9419454	SP10/C	Washer, 2 BA	1	—	C	
6A/7902	—	Gyro, vertical	1	—	A	JA3/244
6A/6373	—	Mounting, Gyro and Comparator	1	—	A	JA3/245
6A/5499	—	Tray, mounting	1	—	A	JA3/1092
		Attachments—Tray, Part No. 6A4599				
28M/7002430	AGS2002/E1	Nut, 1/4" BSF, rear attachment	1	—	C	
28M/1011473	A27/JP	Nut, 3/8" BSF, under tray, front	2	—	C	
		attachment				
20128	4S2317	Nut, lock, at top of tray, front attachment . .	2	M.S.	C	
28W/9418921	SP13/E	Washer, 1/4"	1	—	C	
28W/9419466	SP13/J	Washer	4	—	C	
17274	16S2878	Stud, vertical gyro support front attachment . .	2	—	C	
		Attachments—Stud, Part No. 16S2878				
28M/1011476	A27/JS	Nut, 3/8" BSF	2	—	C	
28P/9527619	SP90/C7	Pin, split	2	—	C	
	AS2808/8/170	Tube, distance	2	—	C	
17275	18S2878	Washer, taper	2	—	C	
	23D10838	Stud, vertical gyro support, rear attachment . .				
		Attachments—Stud, Part No. 23D10838				
28M/1011467	A27/ES	Nut, 1/4" BSF	1	—	C	
28P/9486478	SP90/C5	Pin, split	1	—	C	
28W/9419405	SP15/E	Washer, 1/4"	1	—	C	
	9S2878	Washer, bearing, under stud shoulder	1	—	C	

FUSELAGE
CREW'S NACELLE

Ref. No.	Part No.	Description	No. off	Mati. Spec.	Cl. of St.	Plate and Illust'n No.
					M.R.	
		1 2 3 4				
	2S2878	SUPPORT, VERTICAL GYRO, GROUP	1	—		JA3/1093
	7S2878	Spares for:— Channel, mounting for stud	1	—		
28D/9436920	A25/1C	Attachments:—Channel, Part No. 7S2878				
28M/5808573	A27/CS	Bolt, 2 BA	2	—	C	
28P/9486478	SP90/C5	Nut, 2 BA	2	—	C	
28W/9419402	SP13/C	Pin, split	2	—	C	
		Washer, 2 BA	4	—	C	
		ATTACHMENTS—SUPPORT PART No. 2S2878				
28D/9133011	A25/2C	Bolt, 2 BA	12	—	C	
28M/1012015	AGS.2001/C1/66	Nut, 2 BA	12	—	C	
28W/9419402	SP13/C	Washer, 2 BA	12	—	C	
6TB/4549618	104/2	Unit, comparator (Mod. 2116) (Pre-Mod. 2453)	1	—	A	JA3/1094
6TB/6345912	104/3	Unit, comparator Type D (Mod. 2453)	1	—	A	JA3/1094
6TB/1468	—	Unit, switching, erection Type A	1	—	A	JA3/1095
		(Pre-Mod. 2453)				
6TB/6345913	—	Unit, switching, erection Type C (Mod. 2453)	1	—	A	JA3/1095
		Attachments—Switching Unit, Part No. 6A/7903				
28D/1212371	AS1248/2E	Bolt, mush. head, 1/4" BSF	4	—	C	
28W/9418921	SP13/E	Washer	4	—	C	
		UNITS, SMITH'S FLIGHT SYSTEM AND ALTIMETER AND AMPLIFIER IN PORT CRATE (1S2314) (See Equipment, Aircraft—Compass Installation)				
		VENTILATED SUIT SYSTEM (Z9926) (See Equipment, Aircraft)				
		WINDSCREEN WIPER INSTALLATION (Q2058) (See Services—Windscreen Wipers)				
		COMPLEMENTARY ITEMS				
		ATTACHMENT FITTINGS, NOSE PORTION FUSELAGE TO CREW'S NACELLE FUSELAGE (2A3096) Consisting of:—				
28D/1213735	A30/9E	Bolt, close tolerance	11	—	C	JA5/1088
28D/1213737	A30/11E	Bolt, close tolerance	15	—	C	JA5/1089
1433381	4D9577	Stud, special	4	S96	C	JA5/1090
	34D9577	Bolt, special	17	S96		JA5/1091
28M/9480017	AGS2001/E1/66	Nut, 1/4" BSF	94	—	C	
28W/9419405	SP15/E	Washer	47	—	C	
28W/9419487	SP16/E	Washer	94	—	C	
		ATTACHMENT FITTINGS, CREW'S NACELLE FUSELAGE TO CENTRE PORTION OF FUSELAGE (See Complementary items—Centre portion, Fuselage)				

VULCAN Mk. 2

FUSELAGE

Page JA. 65

CREW'S NACELLE

SUMMARY OF STANDARD ITEMS

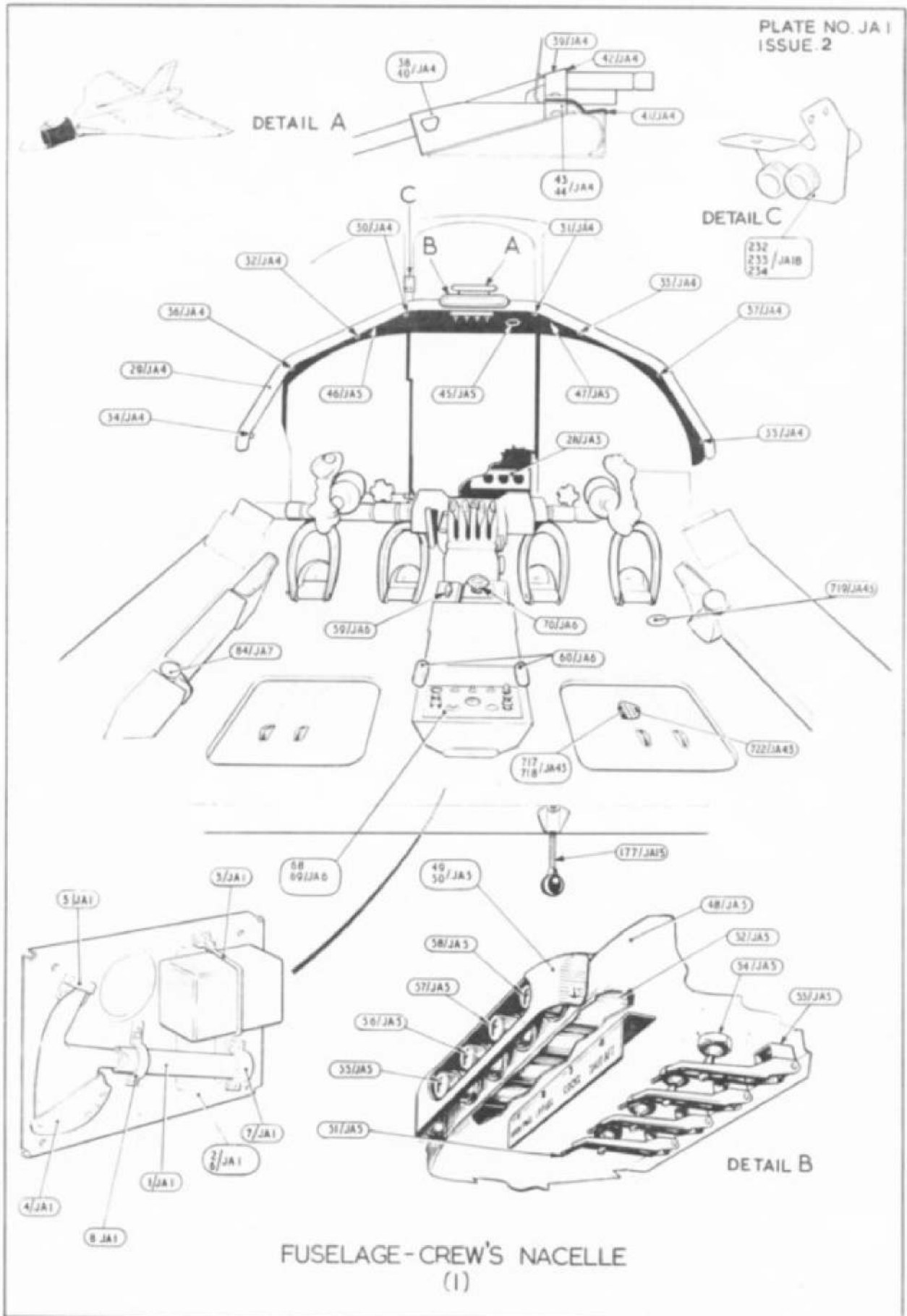
Stores Ref.		No. off	Stores Ref.		No. off	Stores Ref.		No. off
Section	Ref. No.		Section	Ref. No.		Section	Ref. No.	
2A	9500419	1	5X	1383	1	10AK	0970175	3
			5X	6008	3			
			5X	6028	2			
5CW	2453	1	5X	6033	2	10B	17446	2
5CW	4184	2	5X	6038	6			
5CW	4222	4	5X	6043	1			
5CW	4345	1	5X	6058	3	10H	19438	1
5CW	4742	2	5X	6088	6	10H	19439	2
5CW	5145	1	5X	6093	9	10H	19444	1
5CW	4400082	1	5X	6103	2	10H	19445	2
5CW	6375	1	5X	6128	1	10H	19451	2
5CW	6805	2	5X	6133	33	10H	19457	7
5CW	1047693	1	5X	6422	5	10H	19458	2
5CW	8324	1	5X	6621	15	10H	19460	1
5CW	9108	1	5X	6622	2	10H	19463	2
5CW	4400159	1	5X	6623	1	10H	19481	1
			5X	6737	1	10H	19487	1
						10H	19493	7
5CX	1069	3				10H	19610	8
5CX	1552	1	6A	387	2	10H	19789	2
5CX	2279	1	6A	0409	1	10H	20416	2
5CX	2282	1	6A	5476	1	10H	10417	2
5CX	3430	1	6A	5499	1	10H	0540015	8
5CX	4856	3	6A	6373	1	10H	0540019	1
5CX	4858	1		or 6803		10H	2970175	3
5CX	5012	1	6A	6912	1	10H	9560042	5
5CX	5013	1	6A	7902	1			
5CX	5352	2	6A	7903	1			
5CX	5364	3				10J	13152	1
			6B	556	2			
5CZ	6508	2	6B	2643	1	10L	16073	1
						10L	16310	1
						10L	16320	1
5K	2876	2	6D	2237	2			
5K	2975	1	6D	2383	4	10Q	16355	1
5K	1200724	1						
5K	1201019	1	6T	214	1	12K	1277	1
5K	1201342	1	6T	1623	1			
5K	9452014	2	6T	1677	1			
						22G	404	1
5L	9951254	4						
5L	9951263	1	7B	1784	1	27H	2315	3
5L	9951271	8	7B	1785	1	27H	2316	4
5L	9951273	5				27H	3224	4
5L	9959118	7	9D	1566	1			
						27L	1123	1
			10A	17930	4	27L	5039	1
						27L	5040	1
			10AJ	147	6	27L	5052	2
			10AJ	148	6			
						27N	1	1

FUSELAGE
CREW'S NACELLE
SUMMARY OF STANDARD ITEMS

Stores Ref.		No. off	Stores Ref.		No. off	Stores Ref.		No. off
Section	Ref. No.		Section	Ref. No.		Section	Ref. No.	
27VA	2894	1	28FP	325	2	28Q	9417267	2
27VA	3392	3	28FP	1013258	8			
27VA	4493	1	28FP	7002000	3			
27VA	4495	1	28FP	9138002	2	28R	13504	3
27VA	4496	1	28FP	9425773	1	28R	13509	2
27VA	4818	1	28FP	9429531	2	28R	13514	6
27VA	4824	1	28FP	9430915	8	28R	14689	2
27VA	5308	1	28FP	9432063	1			
27VA	6028	1	28FP	9434076	2			
27VA	6029	1	28FP	9485292	2	28S	6775	12
			28FP	9492814	4	28S	6833	14
			28FP	9703072	1			
28D	8307	4						
28D	8337	6				28U	15099	1
28D	10640	4	28H	5564	2			
28D	11338	8						
28D	11799	3				28W	14180	2
28D	13364	2	28M	1278189	17	28W	9137412	4
28D	13442	15	28M	1278190	25	28W	9418921	11
28D	13711	11	28M	10290	114	28W	9419402	37
28D	14977	6	28M	10339	6	28W	9419404	2
28D	14978	2	28M	12340	71	28W	9419405	58
28D	1007319	8	28M	12931	2	28W	9419429	2
28D	1007973	6	28M	13017	1	28W	9419454	15
28D	1007981	6	28M	5808573	8	28W	9419465	3
28D	1007982	35	28M	13259	12	28W	9419466	4
28D	1008151	15	28M	13464	2	28W	9419471	3
28D	1010658	3	28M	13811	2	28W	9419474	17
28D	1011029	10	28M	13824	1	28W	9419475	16
28D	1011030	7	28M	14766	1	28W	9419477	2
28D	1013172	2	28M	1007404	3	28W	9419477	2
28D	9133011	6	28M	1011467	2	28W	9419479	4
28D	9419397	4	28M	1011470	3	28W	9419487	94
28D	9436920	13	28M	1011473	2	28W	9419491	12
			28M	1011476	2			
			28M	7002430	1			
28DU	9434472	6				29H	919	6
			28N	14391	1	29H	1870	1
28E	1008744	1	28N	16599	8	29H	1903	5
28E	9128961	1	28N	9156370	6	29H	4073	1
28E	9129563	2				29H	4076	2
28E	9428426	1				29H	4077	1
			28P	14215	4	29H	4105	1
			28P	14688	6	29H	4110	12
28F	11852	4	28P	15823	1	29H	4139	2
28F	1013402	2	28P	19154	2	29H	4285	2
			28P	1007741	8			
			28P	9429652	12			
			28P	9486478	1			

RESTRICTED

PLATE NO. JA 1
ISSUE 2

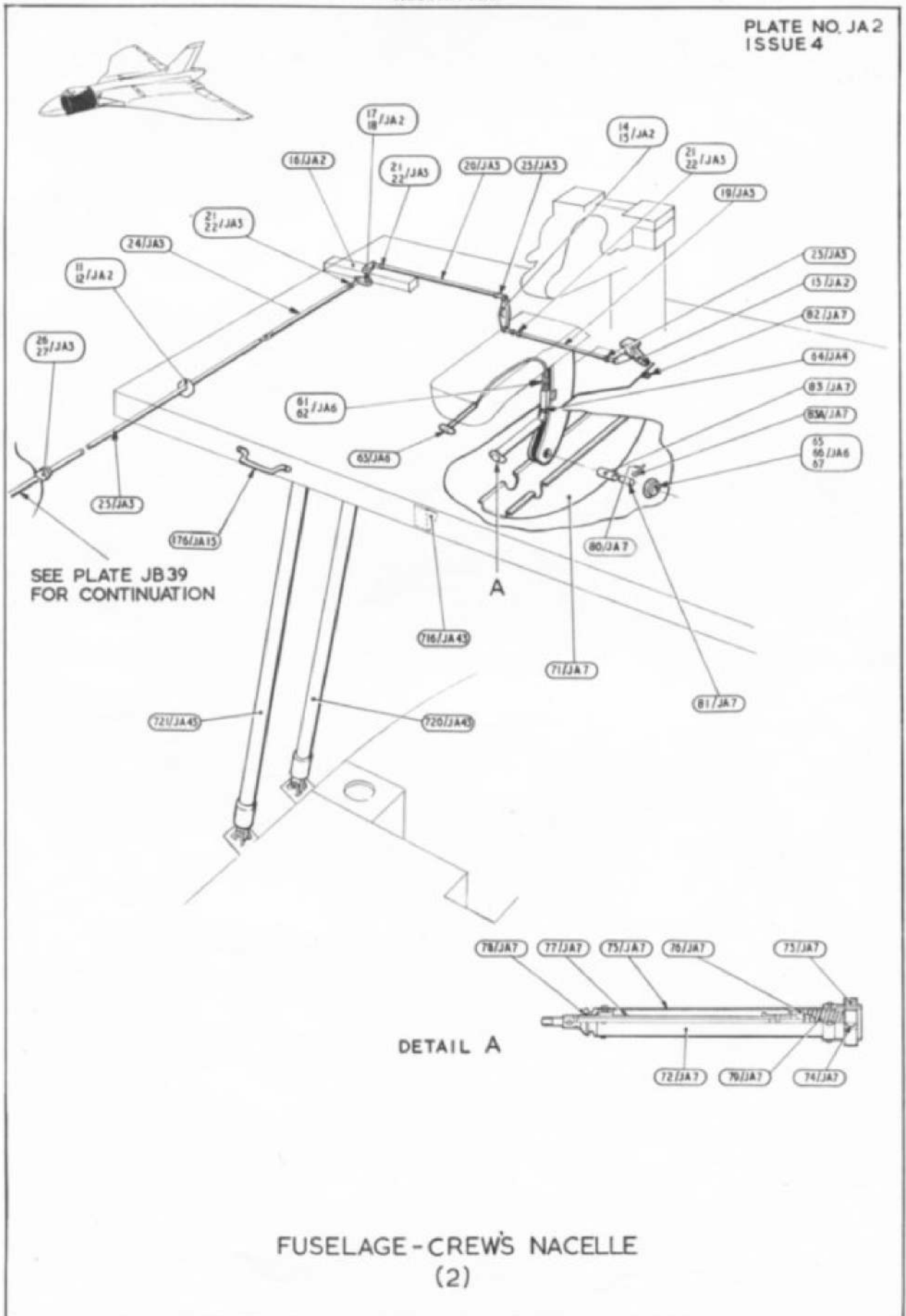


FUSELAGE-CREW'S NACELLE
(1)

RESTRICTED

RESTRICTED

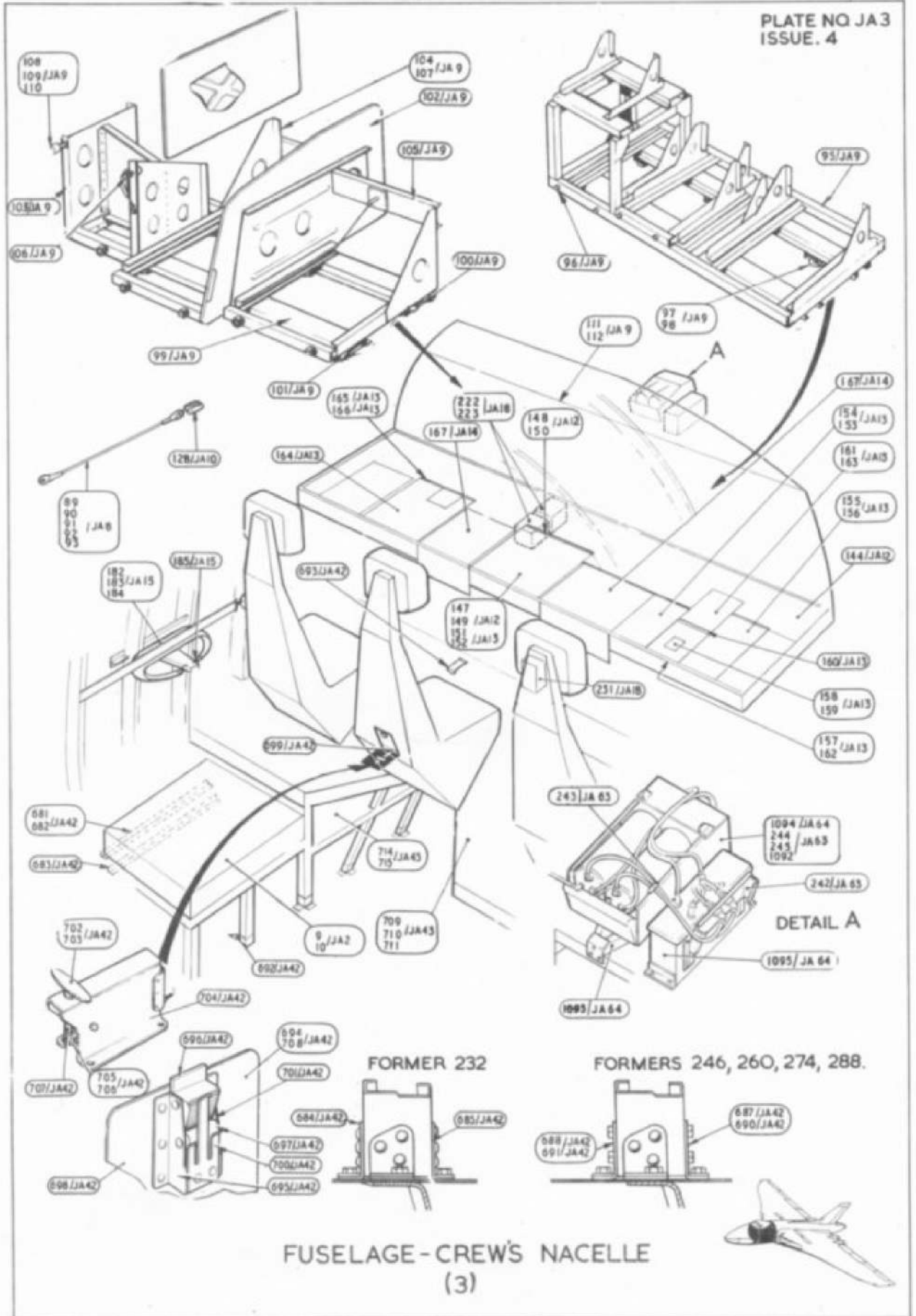
PLATE NO. JA2
ISSUE 4



RESTRICTED

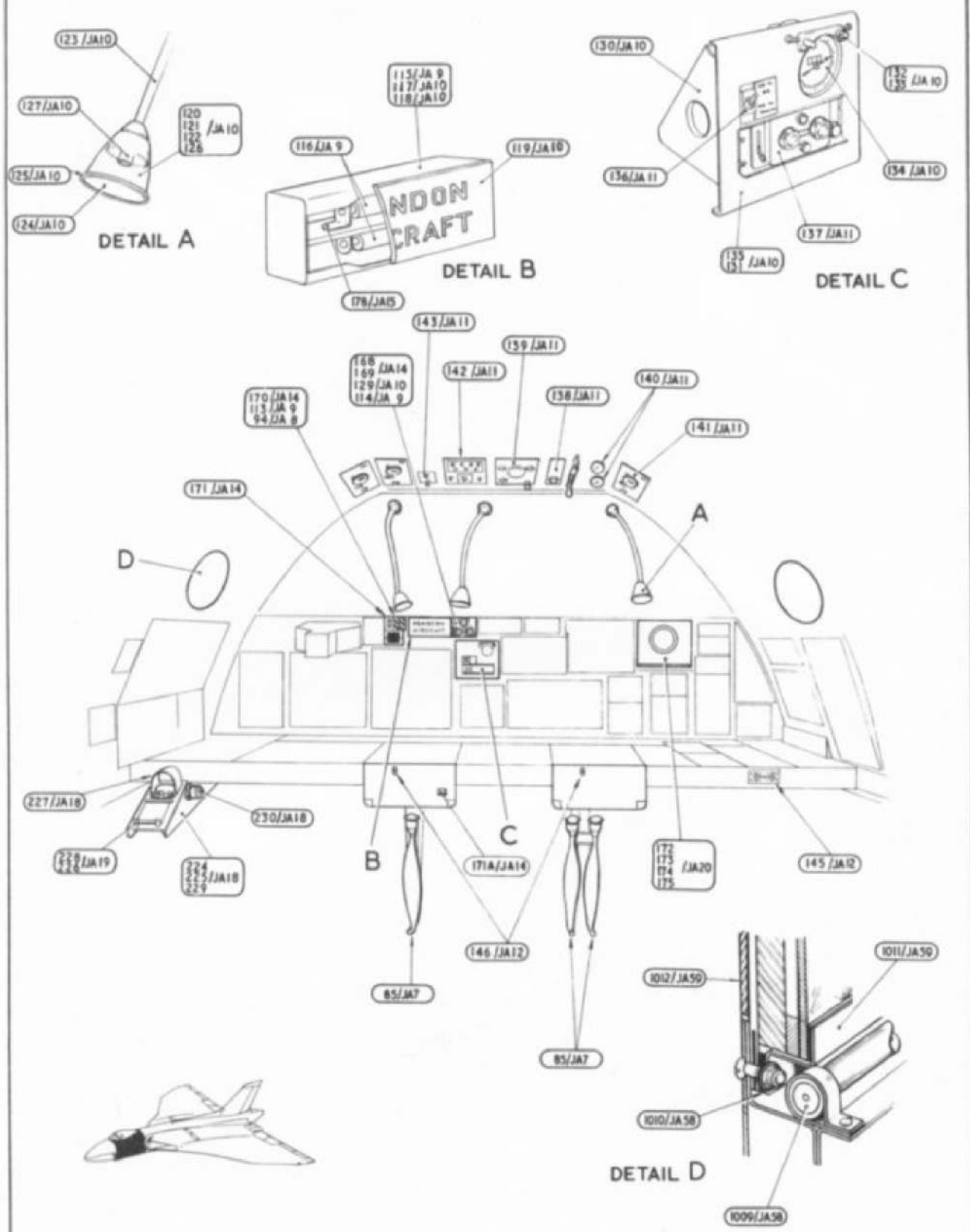
RESTRICTED

PLATE NO JA3
ISSUE. 4

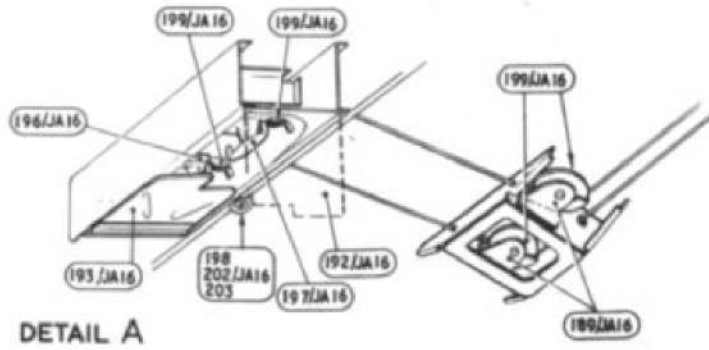


FUSELAGE-CREW'S NACELLE
(3)

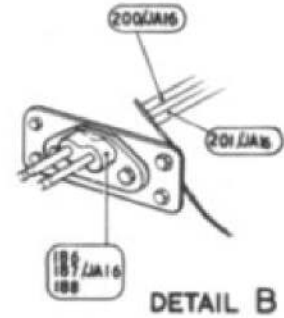
RESTRICTED



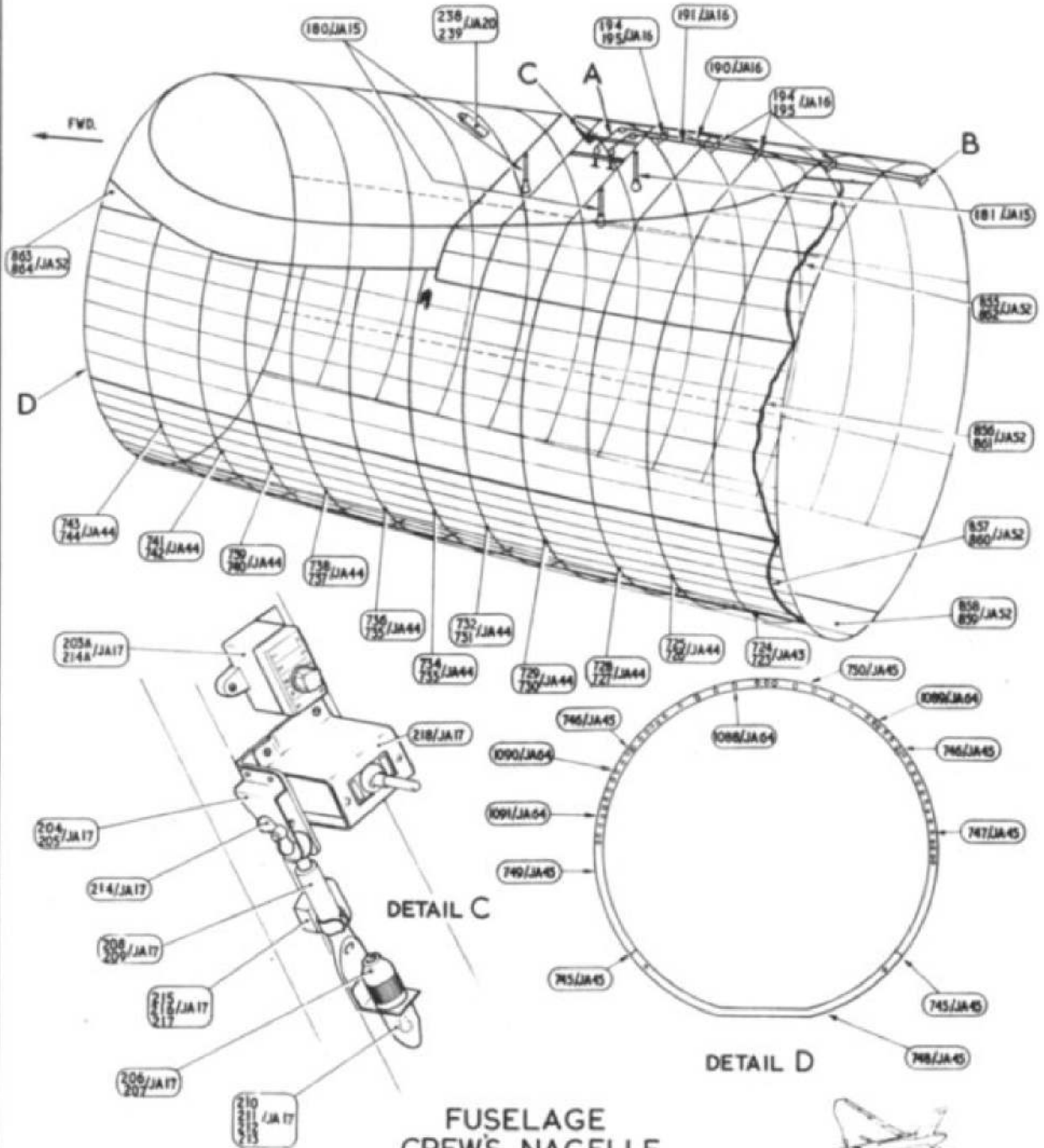
FUSELAGE
CREW'S NACELLE
(4)



DETAIL A

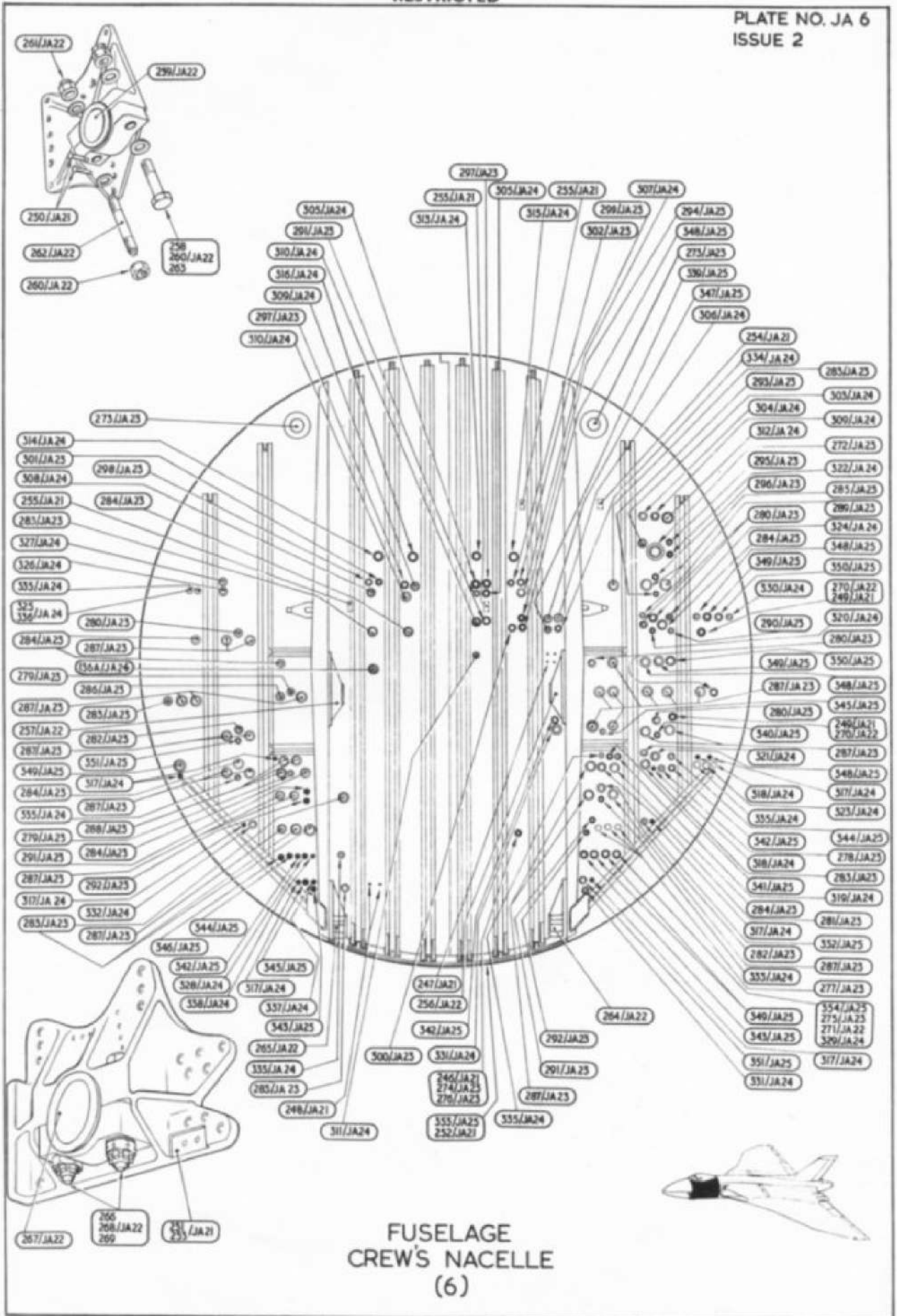


DETAIL B



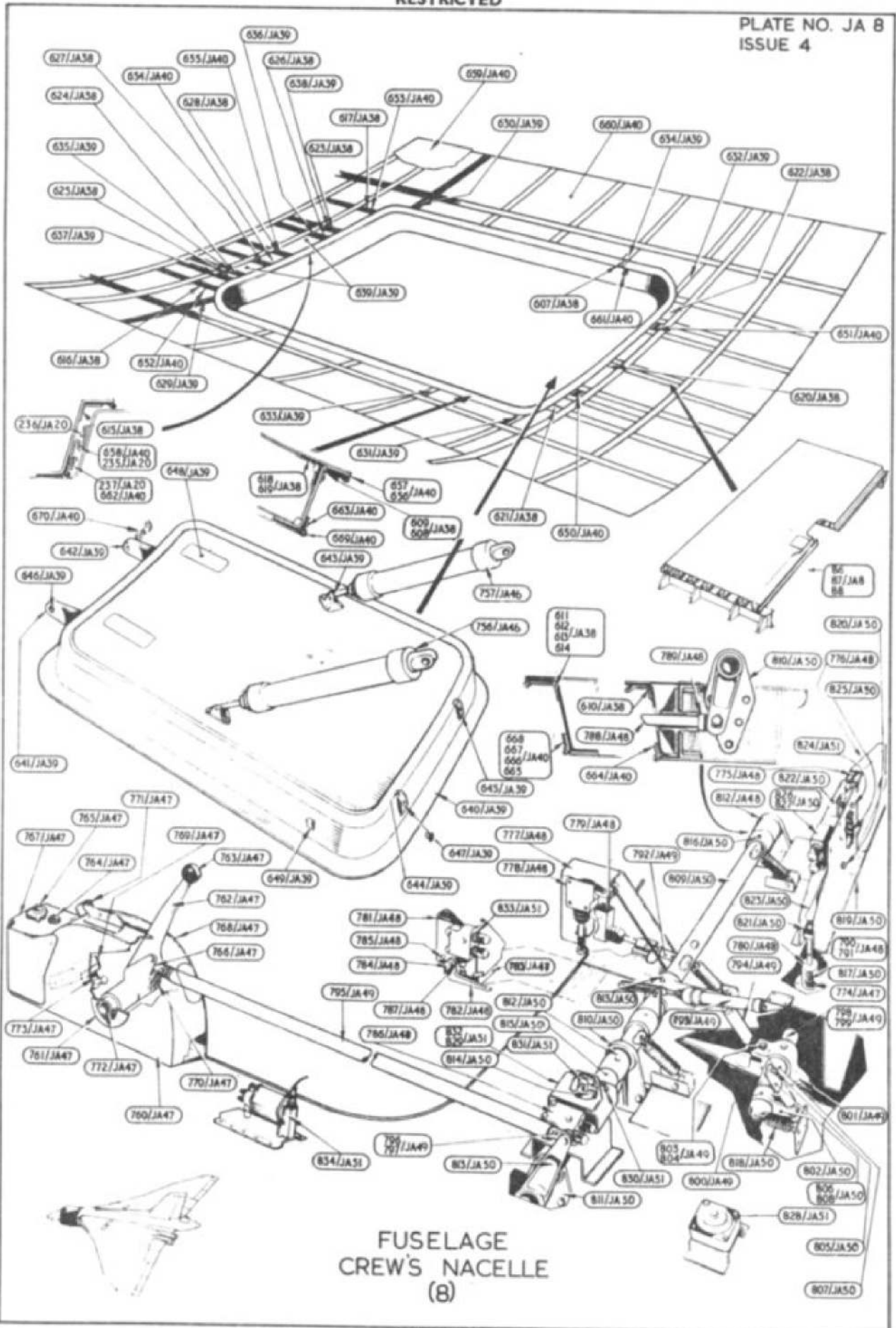
FUSELAGE
CREW'S NACELLE
(5)



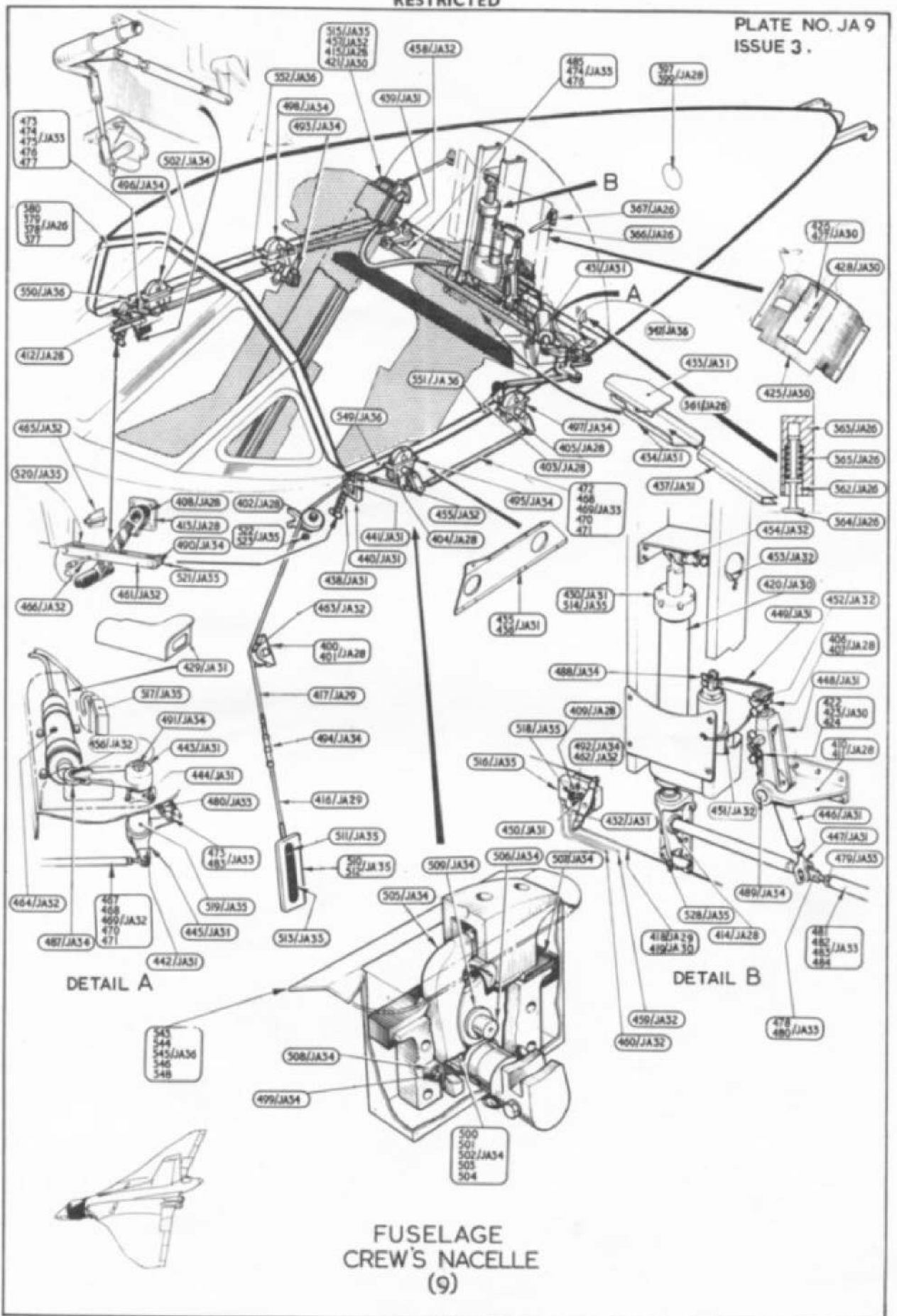


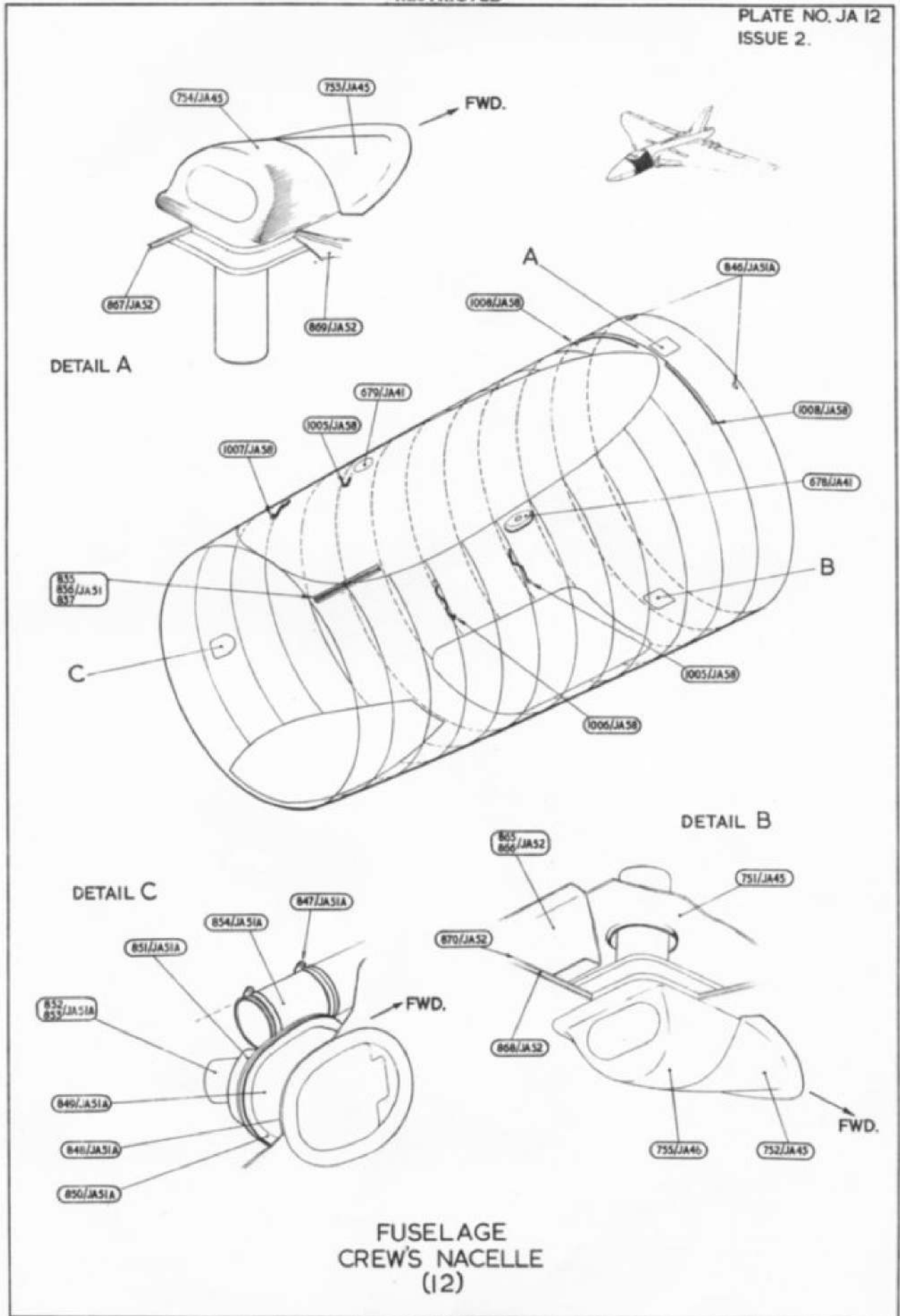
FUSELAGE
CREW'S NACELLE
(6)





FUSELAGE
CREW'S NACELLE
(8)





FUSELAGE
CREW'S NACELLE
(12)



This file was downloaded
from the RTFM Library.

Link: www.scottbouch.com/rtfm

Please see site for usage terms,
and more aircraft documents.