

FUSELAGE
CENTRE PORTION

Ref. No.	Part No.	Description	No. off	Matl. Spec.	Cl. of St.	Plate and Illust'n No.
					M.R.	
		<p>CENTRE PORTION, FUSELAGE ASSEMBLY, COMPLETE (11D9581) (Mod. 360) (Complementary parts, e.g. intercomponent attachments listed at the end of this assembly will not be supplied with the assembly spare and must be demanded separately when required) Spares for:— A.S.I. SYSTEM (2S2167) (See Services—A.S.I. System)</p> <p>CONTROLS, ENGINE, PORT AND STARBOARD (3 & 4, O.3948) (See Controls—Engine)</p> <p>CONTROLS FLYING (R4188) (See Controls—Flying)</p> <p>CONTROLS, R.A.T. SYSTEM (Z9697) (See Controls—Ram Air Turbine)</p> <p>DUCTING COOLING, FOR T.R.U. IN POWER COMPARTMENT (Z9638) (See Services—Cooling System—Power Units and Radar Equipment)</p> <p>DUCTING, INLET AND EXHAUST FOR T.R.U. AND FREQUENCY CHANGERS IN NOSE WHEEL BAY, PORT (Z9736) (See Services—Cooling System—Power Units and Radar Equipment)</p> <p>DUCTING, RADAR COOLING IN NOSE WHEEL BAY, STARBOARD (Z9247) (See Services—Cooling System—Power Units and Radar Equipment)</p> <p>DUCTING OVERBOARD DRAIN OUTLET OIL SEPARATOR O/B ENGINES 0.4164 (See Power Installation)</p> <p>ELECTRICAL INSTALLATION IN CENTRE PORTION (See Electrical Installation)</p> <p>ELECTRICAL INSTALLATION IN BOMB BAY (V8222) (See Electrical Installation)</p> <p>ELECTRICAL SERVICES FOR BOMB GEAR IN CENTRE PORTION (V8494) (See Electrical Installation)</p> <p>ELECTRICAL INSTALLATION IN ENGINE BAYS (V9194) (V10787) (See Electrical Installation)</p>				

FUSELAGE
CENTRE PORTION

Ref. No.	Part No.	Description	No. off	Matl. Spec.	Cl. of St.	Plate and Illust'n No.
					M.R.	
		<p>1 2 3 4</p> <p>ELECTRICAL INSTALLATION BELOW AIR INTAKES (V8495) (See Electrical Installation)</p> <p>ELECTRICAL INSTALLATION IN NOSE WHEEL BAY (V9472) (See Electrical Installation)</p> <p>ELECTRICAL INSTALLATION IN POWER COMPARTMENT (V9488) (See Electrical Installation)</p> <p>ENGINE INSTALLATION, INNER AND OUTER, PORT AND STARBOARD (5-6-7-8.O 3942) (Pre Mod. 906)</p> <p>ENGINE INSTALLATION, INNER AND OUTER, PORT AND STARBOARD (O.3987) (Mod. 906) (See Power Installation—Engine)</p> <p>ENGINE, RAPID START SYSTEM (1 & 2Q3644) (Mod. 1320) (See Power Installation—Engine)</p> <p>EXPLOSION SUPPRESSION INSTALLATION (4Z9615) (See Services—Fire Protection System)</p> <p>EXTINGUISHER, FIRE SYSTEM, PORT AND STARBOARD (29 & 30Z9580) (See Services—Fire Protection)</p> <p>EXTINGUISHER, FIRE SYSTEM IN BOMB BAY (Z9790) (See Services—Fire Protection)</p> <p>EXTINGUISHER, FIRE SYSTEM, Nos. 1 & 2 TANKBAYS (Z7624) (See Services—Fire Protection)</p> <p>FUEL SYSTEM, AFT OF FRONT SPAR, PORT AND STARBOARD (P3164) (See Services—Fuel System)</p> <p>FUEL SYSTEM Nos. 1 AND 2 FUEL TANKS, PORT AND STARBOARD (1 & 2P3481) (Mod. 360) (See Services—Fuel System)</p> <p>HEATING INSTALLATION, BOMB BAY (Z7723) (See Services—Air Conditioning)</p>				

VULCAN Mk. 2

FUSELAGE
CENTRE PORTION

Page JB. 3

Ref. No.	Part No.	Description	No. off	Matl. Spec.	Cl. of St.	Plate and Illust'n No.
					M.R.	
		INSTALLATION, AUTO-STABILISER EQUIPMENT IN BOMB BAY (R4411) (See Controls—Auto-Stabiliser)				
		INSTALLATION, TRUE AIRSPEED UNIT (1S2432) (See Services—Air Speed Indicator)				
		JETTISON, MECHANICAL, FOR SPECIAL STORE (2Z9701) Spares for:—				
	1SS4337	Bolt, csk. for pulley bracket and plate	2	—	MR	JB1/1
	4SS4337	Bolt, csk. for plates	5	—	MR	JB1/2
	60Z9701	Bracket, pulley	1	DTD130		JB1/3
	62Z9701	Bracket, pulley	1	DTD130		JB1/4
	77Z9701	Bracket, pulley	1	DTD130		JB1/5
	59Z9701	Bracket, rod attachment	1	L72		
	80Z9701	Bracket, rod attachment	1	L72		
	57Z9701	BRACKET, PULLEY, GROUP	1	—		JB1/6
		Consisting of:—				
	57aZ9701	Bracket	1	DTD130		
	57bZ9701	Guard	1	L72		
28Q/9129592	AS2230/404	Rivet	2	—	C	
14166	29Z9701	CABLE, FORK END AND SCREWED END, FORWARD, GROUP	1	—	B	JB1/7
14167	30Z9701	CABLE, EYE END AND SCREWED END, FORWARD, GROUP	1	—	B	JB1/8
14168	55Z9701	CABLE, 17' 10 1/2" LONG, AFT GROUP	1	—	B	JB1/9
14169	56Z9701	CABLE, 13' 1-12" LONG, AFT, GROUP	1	—	B	JB1/10
28E/16520	AGS1000/00A	Clip, jubilee, for sockets	48	—	C	
14163	40Z9701	Fairlead, half, at front spar	2	BS2572	C	JB1/11
14164	52Z9701	FAIRLEAD	20	BS2572	C	JB1/12
	65Z9701	GUARD, 9-65" LONG, GROUP	1	—		JB1/13
	66Z9701	GUARD, 12-15" LONG, GROUP	1	—		JB1/14
	67Z9701	GUARD, 4-6" LONG, GROUP	1	—		JB1/15
	68Z9701	GUARD, 8-9" LONG, GROUP	1	—		JB1/16
	69Z9701	GUARD, 9-54" LONG, GROUP	1	—		JB1/17
	70Z9701	GUARD, 5-9" LONG, GROUP	1	—		JB1/18
	71Z9701	GUARD, 8-42" LONG, GROUP	1	—		JB1/19

FUSELAGE
CENTRE PORTION

Ref. No.	Part No.	Description	No. off	Mati. Spec.	Cl. of St.	Plate and Illust'n No.
					M.R.	
		1 2 3 4				
		JETTISON MECHANICAL (2Z9701) (Cont'd)				
	72Z9701	GUARD, 10.34" LONG, GROUP	1	—		JB1/20
	73Z9701	GUARD, 11.10" LONG, GROUP	1	—		JB1/21
	74Z9701	GUARD, 10.42" LONG, GROUP	1	—		JB1/22
	75Z9701	GUARD, 20.6" LONG, GROUP	1	—		JB1/23
28M/1006473	A27/CT	Nut, lock, R.H.	12	—	C	
28M/4095891	A27/CTL	Nut, lock, L.H.	4	—	C	
	61Z9701	Plate, mounting, 16G x 3.68" x 3.72"	1	L72		
	63Z9701	Plate, mounting, 16G x 3.81" x 4"	1	L72		
	78Z9701	Plate, mounting, 16G x 8.55" x 3.3"	1	L72		
28R/1052624	AS103	Pulley, 2" dia.	5	—	B	
	58Z9701	Rod, 3/16" dia. x 6.9" long	2	S1	MR	JB1/24
14162	24Z9701	Socket, at tube joints	24	L62	C	JB1/25
	23Z9701	Tube, 20G x 0.5" o/d x 14.25" long	22	L62	C	JB1/26
	28Z9701	Tube, 20G x 0.5" o/d x 11.45" long	2	L62	C	JB1/27
28U/4664859	SP33/C	Turnbuckle	4	—	C	
		MOUNTING, OXYGEN BOTTLES IN BOMB BAY, PORT AND STARBOARD (1 & 2Z9793) (See Services—Oxygen System)				
		MOUNTING, OXYGEN BOTTLES AFT, IN BOMB BAY, PORT AND STARBOARD (1 & 2Z8745) (See Services—Oxygen System)				
		MOUNTING, OXYGEN BOTTLES IN POWER COMPARTMENT (1Z9438) (Z9197) (Mod. 668) (See Services—Oxygen System)				
		MOUNTING, CAP FILLER AERIALS BETWEEN, JET PIPE TUNNELS, PORT (T4445) (Mod. 870) (See Equipment—Special Operational S.O.O.)				
		OXYGEN INSTALLATION (2Z9197) (See Services—Oxygen System)				
		PIPE, PRESSURISATION, FOR TANK IN BOMB BAY (1P3293) (See Services—Fuel System—Flight Refuelling)				
		PIPING, HYDRAULIC IN BOMB BAY (1Q2211) (See Services—Hydraulics)				

FUSELAGE
CENTRE PORTION

Ref. No.	Part No.	Description	No. off	Matl. Spec.	Cl. of	Plate and Illust'n No.
					St. M.R.	
		PIPING, HYDRAULIC, IN NOSE WHEEL BAY, PORT AND STARBOARD (Q2079) (Q2080) (See Services—Hydraulics) PIPING, HYDRAULIC, ENGINE BAY PORT AND STARBOARD (Q2081) (Q2082) (See Services—Hydraulics) PNEUMATICS, N.B.S. MK. 1A SERVICES (Q2258) (Mod. 715) (See Services—Pneumatic) PRESSURISATION, TANK SYSTEM, PORT AND STARBOARD (265 & 266Z7516) (See Services—Pressurisation System) PRESSURISATION AND ANTI-ICING INSTALLATION (1Z9446) (See Services—Air Conditioning) PRESSURISATION SYSTEM FOR BOMB BAY TANK (1P3589) (See Services—Pressurisation System) RADIO AND RADAR (3T4292) (See—Radio and Radar Installation) RAM AIR TURBINE INSTALLATION, FORWARD FRONT SPAR (F11002) (See Services—Ram Air Turbine) RECORDER, V.G. MOUNTING (S2301) (See Services—Air Speed Indicator) REFUELLING SYSTEM, PORT AND STARBOARD (1 & 2P3162) (See Services, Fuel System) STRUCTURE, CENTRE PORTION (D10631) (Mod. 360) Spares for:— BRAKES AIR, PORT AND STARBOARD 7 & 6F9574 (Pre-Mod. 360) BRAKES AIR, PORT AND STARBOARD (8 & 9574) (Mod. 360)				
22643	1F9409 2F9409 3F9409 R & M ZAEG.H 4F9409	BEARING, NEEDLE ROLLER, GROUP ... Consisting of:— Race, inner Race, outer Roller, needle Washer, retaining	6 1 1 24 1	— EN31 EN31 — S110	MR B	JB3/28

FUSELAGE
CENTRE PORTION

Ref. No.	Part No.	Description	No. off	Matl. Spec.	Cl. of St.	Plate and Illust'n No.
					M.R.	
		1 2 3 4				
		BRAKES, AIR, PORT AND STARBOARD (8 & 9F9574) (Cont'd)				
22644	35F8706	BOLT, SPECIAL, GROUP	6	—	C	JB3/29
		Consisting of:—				
	350F8706	Bolt, 5/8" dia.	1	S96		
28N/9156370	SP.21	Nipple, grease	1	—	C	
	34F8706	Bolt, (Made from A30/7E)	12	—	MR	JB2/30
1365	1F8822	CHAIN, FOR AIRBRAKE, GROUP	8	—	B	JB4/31
		(Pre-Mod. 2360)				
	1F13026	CHAIN, FOR AIRBRAKE, GROUP	8	—	MR	
		(Mod. 2360)				
		Spares for:—				
	2F8222	CHAIN, C/W END LINKS, GROUP	1	—		
		(Pre-Mod. 2360)				
	2F13026	CHAIN C/W END LINKS, GROUP	1	—		
		(Mod. 2360)				
1727	8F8822	Block, chain end	1	S96	C	JB2/32
1728	9F8822	Block, chain end	1	S96	C	JB2/33
84	1F9581/W	FLAP, INBOARD, TOP, AIRBRAKE	1	—	A	JB2/34
		WHITE, PORT, GROUP (Mod. 1877)				
	1F9581/P	FLAP, INBOARD, TOP, AIRBRAKE	1	—		
		PRIMERED, PORT, GROUP (Mod. 1877)				
1433336	1F9581/EP	FLAP, INBOARD, TOP, AIRBRAKE,	1	—	A	
		POLYURATHANE FINISH, PORT, GROUP (Mod. 2129)				
85	2F9581/W	FLAP, INBOARD, TOP, AIRBRAKE	1	—	A	JB2/35
		WHITE, STARBOARD, GROUP (Mod. 1877)				
	2F9581/P	FLAP, INBOARD, TOP, AIRBRAKE	1	—		JB2/35A
		PRIMERED, STARBOARD, GROUP (Mod. 1877)				
1433337	2F9581/EP	FLAP, INBOARD, TOP, AIRBRAKE	1	—	A	
		POLYURATHANE FINISH, STARBOARD, GROUP (Mod. 2129)				
86	3F9581/W	FLAP, OUTBOARD, TOP, AIRBRAKE ...	1	—	A	JB2/36
		WHITE, PORT, GROUP (Mod. 1877)				
	3F9581/P	FLAP, OUTBOARD, TOP, AIRBRAKE ...	1	—		JB2/36A
		PRIMERED, PORT, GROUP (Mod. 1877)				
1433338	3F9581/EP	FLAP, OUTBOARD, TOP, AIRBRAKE, ...	1	—	A	
		POLYURATHANE FINISH, PORT, GROUP (Mod. 2129)				
87	4F9581/W	FLAP, OUTBOARD TO AIRBRAKE	1	—	A	JB2/37
		WHITE, STARBOARD, GROUP (Mod. 1877)				

VULCAN Mk. 2

FUSELAGE
CENTRE PORTION

Page JB. 6A

Ref. No.	Part No.	Description	No. off	Matl. Spec.	Cl. of	Plate and Illust'n No.
					St. M.R.	
		1 2 3 4				
		BRAKES, AIR, PORT AND STARBOARD (8 & 9F9574) (Cont'd)				
	4F9581/P	FLAP, OUTBOARD TOP AIRBRAKE PRIMERED, STARBOARD, GROUP (Mod. 1877)	1	—		JB2/37A
1433339	4F9581/EP	FLAP, OUTBOARD TOP AIRBRAKE POLYURATHANE FINISH, STARBOARD, GROUP (Mod. 2129)	1	—	A	
	5F9581	Spares for:— Bolt, special	4	—		
517	31F9582	FLAP, INBOARD BOTTOM AIRBRAKE, . PORT, GROUP	1	—	A	JB2/38
	1F12947	FLAP, INBOARD BOTTOM AIRBRAKE, . PORT, GROUP (S.O.O. Mod. 2314) (One A/C only)	1	—		

VULCAN No. 2

FUSELAGE
CENTRE PORTION

Page JB. 7

Ref. No.	Part No.	Description	No. off	Mati. Spec.	Cl. of St.	Plate and Illust'n No.
					M.R.	
		1 2 3 4				
		BRAKES, AIR, PORT AND STARBOARD (B & 9F9574) (Cont'd)				
518	30F9582	FLAP, INBOARD, BOTTOM AIRBRAKE, STARBOARD, GROUP	1	—	B	JB2/39
		Spares for:—				
	50F9582	Bead, sealing (Make from 447SS3075) ..	2	DTD278	MR	JB2/40
7386	51F9582	Bead, sealing (Make from 447SS3075) ..	2	DTD278	C	JB2/41
2734	1F9421	LEG, TOP, AT RIB 63.5, PORT 1/B, BRAKE, GROUP	1	—	A	JB2/42
	42F9421	LEG, TOP, AT RIB 63.5, STARBOARD, 1/B, BRAKE, GROUP (Mod. 1340)	1	—	MR	JB2/43
		Spares for:—				
	1F9410	ARM, FOLLOWER, L.H. PORT, GROUP	1	—	MR	JB3/44
	2F9410	ARM, FOLLOWER, R.H. STARBOARD, GROUP	1	—	MR	JB3/45
		Spares for:—				
		Bearing	2	—	B	JB3/46
2A/9500468 28N/4043823	CD 1/2 AGS2030/47	Circlip, 44 mm	1	—	C	
	7F8706	Block, adjuster	1	S94, 95 or 96		JB3/47
	2F8534	Bolt, centre lever and adjustable rods ..	2	S94, 95 or 96	MR	JB3/48
	7F8534	Bolt, at follower arm and rod	1	S94, 95 or 96	MR	JB3/49
8814 9088	33F9421	Bolt, at top lever and rod	1	S94, 95 or 96	MR/C	JB3/50
	9F8706	Bolt, csk. at adjuster block	4	S94, 95 or 96	C	JB3/51
	1F9423	LEG, TOP, AT RIB 63.5, PORT, GROUP	1	—		JB3/52
	32F9423	LEG, TOP, AT RIB 63.5, STARBOARD, GROUP (Mod. 1340)	1	—		JB3/53
		Spares for:—				
	18F9421	Bolt, special, top lever	1	S99	MR	JB3/54
	20F9421	Bolt, special, follower arm	1	S99	MR	JB3/55
	11F9421	Bracket, bearing	1	DTD683	MR	JB3/56
	12F9421	Bracket, bearing	1	DTD683	MR	JB3/57
	1F8733	LEVER, CENTRE, GROUP	1	—	MR	JB3/58
		Spares for:—				
		Bearing	2	—	B	JB3/59
		Bolt, special	1	S96		
		Bracket	1	DTD683		
		Bush	2	S1		
		Bush	4	S1	MR	JB3/60
2A/9500412	SKEFCO CBS.3	Circlip, internal	1	—	C	
	8F8534					
	6F8532					
	7F8532					
	10F8529					
28N/2001688	AGS2030/22					
	2F8733	LEVER, GROUP	1	—		JB3/61
	16F9423	Strip, cam, 1/4" x 1/2" x 5-1/4" long ..	1	L72		
	17F9423	Strip, cam, 1/4" x 1/2" x 6-1/4" long ..	1	L72		
	20F9423	Strip, cam, 1/4" x 1/2" x 7.65" long ..	1	L72	MR	JB3/62
	21F9423	Strip, cam, 1/4" x 1/2" x 6-1/2" long ..	1	L72	MR	JB3/63
	22F9423	Strip, cam, 1/4" x 1/2" x 2' 2" long ..	1	L72	MR	JB3/64

FUSELAGE
CENTRE POSITION

Ref. No.	Part No.	Description	No. off	Mati. Spec.	Cl. of St.	Plate and Illust'n No.	
					M.R.		
		1	2	3	4		
		LEG, TOP, AT RIB 63.5, PORT AND STARBOARD (1 & 42F9421) (Cont'd)					
	13F9421	LEVER, TOP, GROUP	1	—	MR	JB3/65	
		Spares for:—					
	17F8714	Bush	2	S1	MR	JB3/66	
	22F8714	Bush	2	S96			
28N/4186641	HOFFMAN						
	CJ.5	Joint, spherical	2	—	C	JB3/67	
17943	4SS5880	Plate, securing (No. 4)	2	—	C	JB3/68	
	21F9421	Piece, distance	1	S1	MR	JB3/69	
	32F9421	Plate, locking	1	S3	MR	JB3/70	
	1F9418	ROD, ADJUSTABLE, OPERATING, LEVER TO LEVER, GROUP	1	—	MR	JB3/71	
		Spares for:—					
	3F9418	End, fork, screwed	1	S96	MR		
28M/9452621	A27/NT	Nut, lock, R.H.	1	—	C		
28M/4095954	A27/NTL	Nut, lock, L.H.	1	—	C		
	12F8729	Turnbuckle	1	S96	MR	JB3/71A	
	1F9443	POD, ADJUSTABLE, OPERATING, LEVER TO FOLLOWER ARM, GROUP	1	—	MR	JB3/72	
		Spares for:—					
	10F8529	Bush	2	S1	MR	JB3/73	
	11F8729	END, ROD, SCREWED, GROUP	1	—		JB3/74	
		Spares for:—					
28N/4186641	HOFFMAN						
	CJ.5	Joint, spherical	1	—	C	JB3/75	
	5SS5880	Plate, securing	1	S510			
28M/9452621	A27/NT	Nut, lock, R.H.	1	—	C		
28M/4095954	A27/NTL	Nut, lock, L.H.	1	—	C		
	12F8729	Turnbuckle	1	S96	MR	JB3/75A	
	3F9421	LEG, TOP, INBOARD SIDE RIB 113.3, PORT, GROUP	1	—	MR	JB2/76	
2737	4F9421	LEG, TOP, INBOARD, SIDE RIB 113.3, STARBOARD, GROUP	1	—	A	JB2/77	
		Spares for:—					
	1F9410	ARM, FOLLOWER, L.H., GROUP	1	—	MR	JB3/78	
	2F9410	ARM, FOLLOWER, R.H., GROUP	1	—	MR	JB3/79	
		Spares for:—					
2A/9500468	R & M	Bearing	2	—	B	JB3/80	
28N/4043823	CD.1/2	Circlip, 44 mm	1	—	C	JB3/81	
	AGS2030/47						

FUSELAGE
CENTRE PORTION

Ref. No.	Part No.	Description	No. off	Matl. Spec.	Cl. of St.	Plate and Illust'n No.	
					M.R.		
		1	2	3	4		
		LEG, TOP, INBOARD SIDE RIB 113.3, PORT AND STARBOARD (3 & 4F9421) (Cont'd)					
8814 9088	7F8706	Block, adjuster	1	S94, 95 or 96		JB3/82	
	2F8534	Bolt, at centre lever and adjustable rods	2	S94, 95 or 96	MR	JB3/83	
	7F8534	Bolt, at follower arm and rod	1	S94, 95 or 96	MR	JB3/84	
	33F9421	bolt, at top lever and rod	1	S94, 95 or 96	C	JB3/85	
	9F8706	Bolt, csk. at adjuster block	4	S94, 95 or 96	C	JB3/86	
	1F9424	LEG, TOP, INBOARD RIB 113.3, PORT, GROUP	1	—	MR	JB3/87	
	2F9424	LEG, TOP, INBOARD RIB 113.3, STARBOARD, GROUP	1	—	MR	JB3/88	
	18F9421	Spares for:— Bolt, special, top lever	1	S99	MR	JB3/89	
	20F9421	Bolt, special, follower arm	1	S99	MR	JB3/90	
	11F9421	Bracket, bearing	1	DTD683	MR	JB3/91	
12F9421	Bracket, bearing	1	DTD683	MR	JB3/92		
	1F8733	LEVER, CENTRE, GROUP	1	—	MR	JB3/93	
	SKEFCO	Spares for:—					
2A/9500412	CBS.3	Bearing	2	—	B	JB3/94	
	8F8534	Bolt, special	1	S96			
	6F8532	Bracket	1	DTD683			
	7F8532	Bush	2	S1			
	10F8529	Bush	4	S1	MR		
28N/2001688	AGS2030/22	Circlip, internal	1	—	C		
	2F8733	LEVER, GROUP	1	—		JB3/94A	
	22F9421	LEVER, TOP, GROUP	1	—	MR	JB3/95	
	17F8714	Spares for:— Bush	2	S1	MR	JB3/96	
	22F8714	Bush	2	S96			
28N/4186641 17943	HOFFMAN CJ.5	Joint, spherical	2	—	C	JB3/97	
	4SS5880	Plate, securing (No. 4)	2	—	C	JB3/98	
	21F9421	Piece, distance	1	S1	MR	JB3/99	
	32F9421	Plate, locking	1	S3	MR	JB3/100	
	1F9418	ROD, ADJUSTABLE, OPERATING LEVER, TO LEVER, GROUP	1	—	MR	JB3/101	
	3F9418	Spares for:—					
28M/9452621	A27/NT	End, fork, screwed	1	S96	MR		
28M/4095954	A27/NTL	Nut, lock, R.H.	1	—	C		
	A27/NTL	Nut, lock, L.H.	1	—	C		
	12F8729	Turnbuckle	1	S96	MR	JB3/101A	

FUSELAGE
CENTRE PORTION

Ref. No.	Part No.	Description	No. off	Mati. Spec.	Cl. of St.	Plate and Illust'n No.	
					M.R.		
		1	2	3	4		
		LEG, TOP, INBOARD SIDE RIB 113.3, PORT AND STARBOARD (3 & 4F9421) (Cont'd)					
	2F9443	ROD, ADJUSTABLE, OPERATING, LEVER TO FOLLOWER ARM, GROUP Spares for:—	1	—	MR	JB3/102	
	10F8529	Bush	2	S1	MR	JB3/102A	
	11F8729	END, ROD, SCREWED, GROUP Spares for:—	1	—		JB3/103	
28N/4186641	HOFFMAN CJ.5	Joint, spherical	1	—	C	JB3/104	
	5SS5880	Plate, securing	1	S510	C		
28M/9452621	A27/NT	Nut, lock, R.H.	1	—	C		
28M/4095954	A27/NTL	Nut, lock, L.H.	1	—	C		
	12F8729	Turnbuckle	1	S96	MR	JB3/104A	
	5F9421	LEG, TOP, OUTBOARD SIDE RIB 113.3, PORT, GROUP	1	—	MR	JB2/105	
	6F9421	LEG, TOP, OUTBOARD SIDE RIB 113.3, STARBOARD, GROUP Spares for:—	1	—	MR	JB2/106	
	1F9410	ARM, FOLLOWER, L.H., GROUP	1	—	MR	JB3/107	
	2F9410	ARM, FOLLOWER, R.H., GROUP	1	—	MR	JB3/108	
		Spares for:—					
2A/9500468	R & M CD.1/2	Bearing	2	—	B	JB3/109	
28N/4043823	AGS2030/47	Circlip, 44 mm	1	—	C	JB3/110	
	7F8706	Block, adjuster	1	S94, 95 or 96		JB3/111	
	2F8534	Bolt, at centre lever and adjustable rods	2	S94, 95 or 96	MR	JB3/112	
	7F8534	Bolt, at follower arm and rod	1	S94, 95 or 96	MR	JB3/113	
8814	33F9421	Bolt, at top lever end rod	1	S94, 95 or 96	C	JB3/114	
9088	9F8706	Bolt, csk., at adjuster block	4	S94, 95 or 96	C	JB3/115	
	1F9425	LEG, TOP, OUTBOARD RIB 113.3, PORT, GROUP	1	—	MR	JB3/116	
	2F9425	LEG, TOP, OUTBOARD RIB 11.3, STARBOARD, GROUP Spares for:—	1	—	MR	JB3/117	
	18F9421	Bolt, special, top lever	1	S99	MR	JB3/118	
	20F9421	Bolt, special, follower, arm	1	S99	MR	JB3/119	
	11F9421	Bracket, bearing	1	DTD683	MR	JB3/120	
	12F9421	Bracket, bearing	1	DTD683	MR	JB3/121	
	1F8733	LEVER, CENTRE, GROUP (For Spares—See Page JB. 7)	1	—	MR	JB3/122	

VULCAN Mk. 2

FUSELAGE
CENTRE PORTION

Page JB. 11

Ref. No.	Part No.	Description	No. off	Matl. Spec.	Cl. of St.	Plate and Illust'n No.
					M.R.	
		1 2 3 4				
		LEG, TOP, OUTBOARD SIDE RIB 113.3, PORT AND STARBOARD (5 & 6F9421) (Cont'd)				
	15F9421	LEVER, TOP, GROUP	1	—	MR	JB3/123
		Spares for:—				
	17F8714	Bush	2	S1	MR	JB3/124
	22F8714	Bush	2	S96		
	HOFFMANN CJ.5	Joint, spherical	2	—	C	JB3/125
	4SS5880	Plate, securing (No. 4)	2	—	C	JB3/126
	21F9421	Piece, distance	1	S1	MR	JB3/127
	32F9421	Plate, locking	1	S3	MR	JB3/128
	1F9418	ROD, ADJUSTABLE, OPERATING,	1	—	MR	JB3/129
		LEVER TO LEVER, GROUP (For Spares—See Page JB. 9)				
	5F9443	ROD, ADJUSTABLE, OPERATING,	1	—	MR	JB3/130
		LEVER TO FOLLOWER ARM, GROUP				
		Spares for:—				
	10F8529	Bush	2	S1	MR	JB3/131
	11F8729	END, ROD, SCREWED, GROUP	1	—		JB3/132
		Spares for:—				
	HOFFMANN CJ.5	Joint, spherical	1	—	C	JB3/133
	5SS5880	Plate, securing	1	S510	C	
		Nut, lock, R.H.	1	—	C	
		Nut, lock, L.H.	1	—	C	
		Turnbuckle	1	S96	MR	JB3/134
	7F9421	LEG, TOP, RIB 162.5, OUTBOARD,	1	—	MR	JB2/135
		BRAKE, PORT, GROUP				
	8F9421	LEG, TOP, AT RIB 162.5, OUTBOARD,	1	—	MR	JB2/136
		BRAKE, STARBOARD, GROUP				
		Spares for:—				
	1F9410	LEG, FOLLOWER, L.H. GROUP	1	—	MR	JB3/137
	2F9410	LEG, FOLLOWER, R.H. GROUP	1	—	MR	JB3/138
		(For Spares—See Page JB. 10)				
	7F8706	Block, adjuster	1	S94, 95 or 96		JB3/139
	2F8534	Bolt, at centre lever and adjustable rods	2	S94, 95 or 96	MR	JB3/140
	7F8534	Bolt, at follower arm and rod	1	S94, 95 or 96	MR	JB3/141
	33F9421	Bolt, at top lever and rod	1	S94, 95 or 96	C	JB3/142
	9F8706	Bolt, csk., at adjuster block	4	S94, 95 or 96	C	JB3/143
28N/4186641 17943						
28N/4186641						
28M/9452621 28M/4095954	A27/NT A27/NTL 12F8729					
8814 9088						

FUSELAGE
CENTRE PORTION

Ref. No.	Part No.	Description	No. off	Mati. Spec.	Cl. of St.	Plate and Illust'n No.
					M.R.	
		1 2 3 4				
		LEG, TOP, AT RIB 162.5, PORT AND STARBOARD (7 & 8F9421) (Cont'd)				
	1F9426	LEG, TOP, AT RIB 162.5, PORT GROUP	1	—	MR	JB3/144
	2F9426	LEG, TOP, AT RIB 162.5, STARBOARD, GROUP	1	—	MR	JB3/145
		Spares for:—				
	18F9421	Bolt, special, top lever	1	S99	MR	JB3/146
	20F9421	Bolt, special, follower arm	1	S99	MR	JB3/147
	11F9421	Bracket, bearing	1	DTD683	MR	JB3/148
	12F9421	Bracket, bearing	1	DTD683	MR	JB3/149
	1F8733	LEVER, CENTRE, GROUP (For Spares—See Page JB. 7)	1	—	MR	JB3/150
	16F9421	LEVER, TOP, GROUP Spares for:—	1	—	MR	JB3/151
	17F8714	Bush	2	S1	MR	JB3/152
	22F8714	Bush	2	S96	C	
28N/4186641	HOFFMANN CJ.5	Joint, spherical	2	—	C	JB3/153
	5SS5880	Plate, securing	2	—	C	
	21F9421	Piece, distance	1	S1	MR	JB3/154
	32F9421	Plate, locking	1	S3	MR	JB3/155
	1F9418	ROD, ADJUSTABLE, OPERATING, LEVER TO LEVER, GROUP (For Spares—See Page JB. 9)	1	—	MR	JB3/156
	6F9443	RCD, ADJUSTABLE, OPERATING, LEVER TO FOLLOWER ARM, GROUP Spares for:—	1	—	MR	JB3/157
	10F8529	Bush	2	S1	MR	JB3/158
	11F8729	END, ROD, SCREWED, GROUP Spares for:—	1	—		JB3/159
28N/4186641	HOFFMANN CJ.5	Joint, spherical	1	—	C	JB3/160
	5SS5880	Plate, securing	1	S510	C	
28M/9452621	A27/NT	Nut, lock, R.H.	1	—	C	
28M/4095954	A27/NTL	Nut, lock, L.H.	1	—	C	
	12F8729	Turnbuckle	1	S96	MR	JB3/160A

FUSELAGE
CENTRE PORTION

Ref. No.	Part No.	Description	No. off	Mati. Spec.	Cl. of St.	Plate and Illust'n No.
					M.R.	
		1 2 3 4				
		BRAKE, AIR, PORT, AND STARBOARD (8 & 9F9574) (Cont'd)				
2742	1F9422	LEG, BOTTOM, AT RIB 63.5, INBOARD, BRAKE, PORT, GROUP	1	—	A	JB2/161
	2F9422	LEG, BOTTOM, AT RIB 63.5, INBOARD, BRAKE, STARBOARD, GROUP	1	—	MR	JB2/162
	1F9410	Spares for:— ARM, FOLLOWER, L.H., GROUP	1	—	MR	JB3/163
	2F9410	ARM, FOLLOWER, R.H., GROUP	1	—	MR	JB3/164
		(For Spares—See Page JB. 7)				
	7F8706	Block, adjuster	1	S94, 95 or 96		JB3/165
	2F8534	Bolt, at centre lever and adjustable rods ..	2	S94, 95 or 96	MR	JB3/166
	7F8534	Bolt, at follower arm and rod	1	—	MR	JB3/167
	18F9421	Bolt, special, bottom, lever	1	S99	MR	JB3/168
	20F9421	Bolt, special, follower arm	1	S99	MR	JB3/169
8814	33F9421	Bolt, at bottom lever and rod	1	S94, 95 or 96	C	JB3/170
9088	9F8706	Bolt, csk., at adjuster block	4	S94, 95 or 96	C	JB3/171
	11F9421	Bracket, bearing	1	DTD683	MR	JB3/172
	12F9421	Bracket, bearing	1	DTD683	MR	JB3/173
	1F9427	LEG, BOTTOM, AT RIB 63.5, PORT, GROUP	1	—	MR	JB3/174
	2F9427	LEG, BOTTOM, AT RIB 63.5 STARBOARD, GROUP	1	—	MR	JB3/175
		Spares for:—				
	1F8733	LEVER, CENTRE, GROUP	1	—	MR	JB3/176
		(For Spares—See Page JB. 9)				
	15F9422	LEVER, BOTTOM, PORT AND STARBOARD, GROUP	1	—	MR	JB3/177
		Spares for:—				
	17F8714	Bush	2	S1	MR	JB3/178
	22F8714	Bush	2	S96		
	HOFFMANN					
	CJ5	Joint, spherical	2	—	C	JB3/179
28N/4186641	4SS5880	Plate, securing (No. 4)	2	—	C	JB3/180
17943						
	21F9421	Piece, distance	1	S1	MR	JB3/181
	32F9421	Plate, locking	1	S3	MR	JB3/182
	1F9418	ROD, ADJUSTABLE, OPERATING, LEVER TO LEVER, GROUP	1	—	MR	JB3/183
		(For Spares—See Page JB. 8)				
	3F9443	ROD, ADJUSTABLE, OPERATING, LEVER TO FOLLOWER ARM, GROUP	1	—	MR	JB3/184
		Spares for:—				
	10F8529	Bush	2	S1	MR	JB3/185

FUSELAGE
CENTRE PORTION

Ref. No.	Part No.	Description	No. off	Mati. Spec.	Cl. of St.	Plate and Illust'n No.
					M.R.	
		1 2 3 4				
		ROD, ADJUSTABLE, OPERATING (3F9443) (Cont'd)				
	11F8729	END, ROD, SCREWED, GROUP	1	—		JB3/186
	HOFFMANN	Spares for:—				
	CJ.5	Joint, spherical	1	—	C	JB3/187
28N/4186641	5SS5880	Plate, securing	1	S510		
28M/9452621	A27/NT	Nut, lock, R.H.	1	—	C	
28M/4095954	A27/NTL	Nut, lock, L.H.	1	—	C	
	12F8729	Turnbuckle	1	S96	MR	JB3/188
2744	3F9422	LEG, BOTTOM, INBOARD RIB 113.3,	1	—	A	JB2/189
		PORT, GROUP				
2728	4F9422	LEG, BOTTOM, INBOARD RIB 113.3,	1	—	A	JB2/190
		STARBOARD, GROUP				
		Spares for:—				
	1F9410	ARM, FOLLOWER, L.H., GROUP	1	—	MR	JB3/191
	2F9410	ARM, FOLLOWER, R.H., GROUP	1	—	MR	JB3/192
		(For Spares—See Page JB. 8)				
	7F8706	Block, adjuster	1	S94, 95 or 96		JB3/193
	2F8534	Bolt, at centre lever and adjustable rods ..	2	S94, 95 or 96	MR	JB3/194
	7F8534	Bolt, at follower arm and rod	1	S94, 95 or 96	MR	JB3/195
	18F9421	Bolt, special, bottom lever	1	S99	MR	JB3/196
	20F9421	Bolt, special, follower arm	1	S99	MR	JB3/197
8814	33F8706	Bolt, at bottom lever and rod	1	S94, 95 or 96	C	JB3/198
9088	9F8706	Bolt, csk., at adjuster block	4	S94, 95 or 96	C	JB3/199
	11F9421	Bracket, bearing	1	DTD683	MR	JB3/200
	12F9421	Bracket, bearing	1	DTD683	MR	JB3/201
	1F9428	LEG, BOTTOM, AT RIB 113.3, PORT,	1	—	MR	JB3/202
		GROUP				
	2F9428	LEG, BOTTOM, AT RIB 113.3,	1	—	MR	JB3/203
		STARBOARD, GROUP				
		Spares for:—				
	1F8733	LEVER, CENTRE, GROUP	1	—	MR	JB3/204
		(For Spares—See Page JB. 9)				
	17F9422	LEVER, BOTTOM, PORT AND	1	—		JB3/205
		STARBOARD, GROUP				
		Spares for:—				
	17F8714	Bush	2	S1	MR	JB3/206
	22F8714	Bush	2	S96		
	HOFFMANN					
	CJ5	Joint, spherical	2	—	C	JB3/207
28N/4186641	4SS5880	Plate, securing (No. 4)	2	—	C	JB3/208
17943						
	21F9421	Piece, distance	1	S1	MR	JB3/209
	32F9421	Piece, locking	1	S3	MR	JB3/210

VULCAN Mk. 2

FUSELAGE
CENTRE PORTION

Page JB. 15

Ref. No.	Part No.	Description	No. off	Matl. Spec.	Cl. of St.	Plate and Illust'n No.
					M.R.	
		1 2 3 4				
		LEG, BOTTOM, INBOARD RIB 113.3, PORT AND STARBOARD (3 & 4F9422) (Cont'd.)				
	1F9418	ROD, ADJUSTABLE, OPERATING LEVER TO LEVER, GROUP (For Spares—See Page JB. 8)	1	—	MR	JB3/211
	4F9443	ROD, ADJUSTABLE, OPERATING LEVER TO FOLLOWER ARM, GROUP	1	—	MR	JB3/212
	10F8529	Spares for:— Bush	2	S1	MR	JB3/213
	11F8729	END, ROD, SCREWED, GROUP Spares for:—	1	—		JB3/214
28N/4186641	HOFFMANN CJ5	Bearing, spherical	1	—	C	JB3/215
	5SS5880	Plate, securing	1	S510	C	
28M/9452621	A27/NT	Nut, lock, R.H.	1	—	C	
28M/4095954	A27/NTL	Nut, lock, L.H.	1	—	C	
	12F8729	Turnbuckle	1	S96	MR	
		MOUNTING, HIGH SPEED ROTARY ACTUATOR, BETWEEN BOMB BAY ARCHES, 44.592" & 64.592" (13F8831, Pre-Mod. 2242) (16F8831, Mod. 2242) Spares for:—				
5W/3770	ROTAX CA1102	Actuator, AC. double rotary	1	—	A	JB4/216
1433886	17F8831	BOX ASSEMBLY (12F8831, Pre-Mod. 2242) BOX ASSEMBLY (Mod. 2242) Spares for:—	1	—	B	
	9F8831	DIAPHRAGM, GROUP (Pre-Mod. 2242)	1	—		JB4/218
1433887	20F8831	Diaphragm	1	—	C	
	10F8831	Diaphragm (Pre-Mod. 2242)	2	L72		
	21F8831	Diaphragm (Mod. 2242)	2	L72		
	8F8831	Plate, bottom	1	L72		
	10F8706	Nut, special, R.H. at adjuster spindle	1	S94, 95 or 96	MR	JB2/219
	11F8706	Nut, special, L.H. at adjuster spindle	1	S94, 95 or 96	MR	JB2/220
	1F9577	SHAFT TORQUE, INBOARD, PORT AND STARBOARD, GROUP Spares for:—	1	—	MR	JB4/221
	4F9577	Adaptor	1	S1		
	4F8793	JOINT, BALL, GROUP Consisting of:—	2	—	MR	JB4/222
	4aF8793	Joint, ball (MOLLART ENG.)	1	—		

FUSELAGE
CENTRE PORTION

Ref. No.	Part No.	Description	No. off	Matl. Spec.	Cl. of	Plate and Illust'n No.
					St.	
		1 2 3 4				
		SHAFT, TORQUE, INBOARD (1F9577) (Cont'd.)				
	MOLLART No. 6	Joint, cover (Special low temperature ... material)	1		MR	
	4SS4185	Pin, taper, screwed end, 2-3/4" long	2	S96	MR	JB4/223
	3SS4280	Pin, taper, screwed end, 2-7/8" long	2	S96	MR	JB4/224
28W/4674173	AS1905/E16	Washer, saddle, at taper pins	4	Steel	C	JB4/225
	1F9578	SHAFT, TORQUE, OUTBOARD, PORT .. AND STARBOARD, GROUP	1	—	MR	JB4/226
	3F9578	Spares for:— JOINT, BALL, GROUP	2		MR	JB4/227
	3aF9578	Consisting of:— Joint, ball (MOLLART ENG.)	1	—	C	
26TA/10583	MOLLART No. 4	Joint, cover (Special low temperature .. material)	1	—		
	5SS4185	Pin, taper, screwed end, 2-1/8" long	2	S96	MR	JB4/228
	1F9329	SHAFT, MAIN DRIVE, PORT AND	1	—	MR	JB4/229
	6F8831	STARBOARD, GROUP Spares for:— Adapter	1	S96	MR	
	4F8793	JOINT, BALL, GROUP	2	—	MR	JB4/230
	1SS4185	(For Breakdown—See Page JB. 15)				
	8SS4185	Pin, taper, screwed end	3	S96	MR	JB4/231
	AS1905/E15	Pin, taper, screwed end	3	S96	MR	JB4/232
28W/7133584	AS1905/E16	Washer, saddle	3	Steel	C	JB4/233
28W/4674173	AS1905/E16	Washer, saddle	3	Steel	C	JB4/234
	1F9575	SHAFT, SPROCKET AND GEAR BOX ... ON RIB 63.5 TOP, PORT AND STARBOARD, GROUP	1			JB5/235
	3F9575	Spares for:— Adaptor, shaft end, inboard	1	S99	C	JB5/236
4459	9F9312	Adaptor, main shaft	1	S96	MR	JB5/237
12311	24F9312	ANGLE, INTERCOSTAL ATTACH- MENT, GROUP	1	—	C	
	R & M					
2A/9500427	CA.2 5/16	Bearing	2	—	B	JB5/238
5572	22F9312	Bolt, shouldered, for gear box	1	S96	C	JB5/239
5573	23F9312	Bolt, shouldered, for gear box	4	S96	C	JB5/240
1433898	12F9312	Bolt, special, 2 BA	2	—	C	JB5/241
1465	17F8795	Bolt, dowel, at bearing cap	2	S96	C	JB5/242

VULCAN Mk. 2

FUSELAGE
CENTRE PORTION

Page JB. 17

Ref. No.	Part No.	Description				No. off	Matl. Spec.	Cl. of St.	Plate and Illust'n No.
		1	2	3	4			M.R.	
	1F9201					1	—	MR	JB5/243
2A/9500419	HOFFMAN T17					6	—	C	JB5/244
2A/9500422	HOFFMAN T25					3	—	B	JB5/245
28N/2001693	AGS2030/48					4	—	C	JB5/246
28N/2001695	AGS2030/89					2	—	C	JB5/247
	15F9201					1	S99	MR	JB5/248
	14F9201					1	S99	MR	JB5/249
	7F9201					1	DTD776	MR	JB5/250
1478	16F9201					1	S99	MR	JB5/251
	9F9201					2	S1	C	JB5/252
	8F9201					2	S1	MR	JB5/253
	17F9201					1	L65	MR	
	G. ANGUS MIS.10					4	—		JB5/254
	G. ANGUS MIS.18					2	—	MR	JB5/255
28W/9419502	SP41/J					1	—	C	
28W/9416193	SP43/J					1	—	C	
	10F9201					1	Langite	MR	JB5/256
	11F9201					1	Langite	MR	JB5/257
	8F9575					1	—	MR	
	18F8795					1	—		
1454	7F8796					1	S21	C	JB5/258
4461	8F9312					1	S96	C	JB5/259
	11F9575					1	DTD546		
	4F9312					1	DTD546	MR	
	5F9312					1	DTD546	MR	
	19F8795					1	BS668	MR	
28N/9156370	SP21					2	—	C	
9097	16F8795					1	DTD142A	C	
	3SS4185					1	S96	MR	JB5/260
	6SS4185					1	S96	MR	JB5/261
	1SS4188					1	S96	MR	JB5/262
	1SS4280					1	S96	MR	JB5/263
	2SS4280					1	S96	MR	JB5/264
1460	20F9312					1	S99	C	JB5/265
4460	6F9575					1	T45	C	JB5/266
9103	4F9575					1	DTD130	C	JB5/267
1462	32F8795					1	S93	C	JB5/268
1461	33F8795					1	S93	C	JB5/269
9162	5F9575					1	DTD683	C	JB5/270
	19SS3703					1	S1 or S3		
	20SS3703					3	S1 or S3		
	23SS3703					1	S1 or S3		

FUSELAGE
CENTRE PORTION

Ref. No.	Part No.	Description	No. off	Matl. Spec.	Cl. of	Plate and Illust'n No.
					St. M.R.	
		1 2 3 4				
	1F9579	SHAFT, SPROCKET, TOP, AT RIB 113,3, . PORT AND STARBOARD, GROUP	1	—		JB5/271
		Spares for:—				
1449	5F8796	Adaptor, outboard	1	S96	C	JB5/272
4456	8F8796	Adaptor, inboard	1	S96	C	JB5/273
	R & M					
2A/9500427	CA.2-5/16"	Bearings	3	—	C	JB5/274
1433805	102F8796	BRACKET, CHAIN GUARD, PORT 1/B, STARBOARD 0/B, GROUP	1	—	C	
	103F8796	BRACKET, CHAIN GUARD, PORT O/B, STARBOARD 1/B, GROUP	1	—		
1453	15F8796	CAP, BEARING, INBOARD, GROUP ...	1	—	C	JB5/275
1454	7F8796	Cap, bearing, outboard	1	S21	C	JB5/276
1433803	7F9579	Ferrule, screwed	2	S86	C	JB5/277
	14F8796	Guard, chain	1	BS668	MR	
28N/9156370	SP21	Nipple, grease	2	—	C	
	3SS4280	Pin, screwed, taper, 2-1/4" long	1	S96	MR	JB5/278
	3SS4185	Pin, screwed, taper, 3-1/8" long	2	S96	MR	JB5/279
	4SS4185	Pin, screwed, taper, 2-3/4" long	1	S96	MR	JB5/280
	5SS4185	Pin, screwed, taper, 2" long	1	S96	MR	JB5/281
	1SS4188	Pin, screwed, taper, 3-3/16" long	2	S96	MR	JB5/282
28R/4663557	AGS935/E	Rod, screwed, 3" long	1	Steel	C	JB5/283
	3F9579	Shaft	1	T45	MR	JB5/284
1452	8F8796	Sleeve, bearing, inboard	1	S96	C	JB5/285
1461	33F8795	Sleeve, bearing, outboard	1	S93	C	JB5/286
10291	5F9579	Socket, outboard	1	S96	C	JB5/287
1505062	6F9579	Socket, inboard	1	S96	C	JB5/288
	4F9579	Sprocket, outboard	1	DTD683	MR	JB5/289
	11F8796	Sprocket, inboard	1	DTD683	MR	JB5/290
28W/4674173	AS1905/E16	Washer, saddle	2	—	C	
	20SS3073	Washer, saddle	2	S1 or S3		
	16F8796	Washer, spacer, between bearings	1	S		JB5/291
	1F9580	SHAFT, SPROCKET, TOP AT RIB 162.5, . PORT, GROUP	1	—		JB5/292
	2F9580	SHAFT, SPROCKET, TOP AT RIB 162.5, . STARBOARD, GROUP	1	—	MR	JB5/293
		Spares for:—				
4452	3F9580	Adaptor	1	S96	C	JB5/294
	25F8797	Angle, plate attachment	1	TD364		
	R & M					
2A/9500427	CA. 2-5/16"	Bearing	2	—	C	JB5/295
	8F8797	BRACKET, CHAIN GUARD, PORT, ... GROUP	1	—		
1433897	9F8797	BRACKET, CHAIN GUARD, STAR- ... BOARD, GROUP	1	—	C	

FUSELAGE
CENTRE PORTION

Ref. No.	Part No.	Description	No. off	Matl. Spec.	Cl. of St.	Plate and Illust'n No.
					M.R.	
		1 2 3 4				
SHAFT, SPROCKET, TOP RIB 162.5, PORT AND STARBOARD (1 & 2F9580) (Cont'd)						
28S/1013561	10F8797	CAP, BEARING, INBOARD, GROUP ...	1	—	MR	JB5/296
	A55/B4	Spares for:— Screw, grub, 4 BA	1	—	C	
28N/9156370	11F8795	CAP, BEARING, OUTBOARD, GROUP .	1	—		JB5/297
	7F8797	Guard, chain	1	BSS668		JB5/298
	SP21	Nipple, grease	2	—	C	
	15F8797	Packing, 4G x 3/8" x 4" long	1	DTD142A		
	5F8797	Plate, mounting, for bearing cap, port ...	1	L72		
	23F8797	Plate, mounting, for bearing cap, ... starboard	1	L72		
	3SS4185	Pin, screwed, taper, 2-1/2" long	1	S96	MR	JB5/299
	5SS4185	Pin, screwed, taper, 2" long	1	S96	MR	JB5/300
	6SS4185	Pin, screwed, taper, 2-1/4" long	1	S96	MR	JB5/301
	2SS4189	Pin, screwed, taper, 2-1/2" long	2	S96	MR	JB5/302
4454	6F9580	Shaft	1	T45	C	JB5/303
4453	4F9580	Sleeve, bearing, inboard	1	S96	C	JB5/304
1436	13F8797	Sleeve, bearing, outboard	1	S96	C	JB5/305
4451	5F9580	Sprocket	1	DTD683	C	JB5/306
1433804	19SS3703	Washer, saddle	1	S1 or S3		
	23SS3703	Washer, saddle	1	S1 or S3		
	21F8797	Washer, for bearing cap	2	DTD142A	C	
	2F9575	SHAFT, SPROCKET, BOTTOM, AT RIB .. 63.5, PORT AND STARBOARD, GROUP	1	—		JB5/307
	7F8795	Spares for:— Angle, attachment	1	DTD364		
2A/9500427 4482	R & M CA 2-5/16"	Bearing	2	—	C	JB5/308
	13F9392	Bolt, special, 2 BA (Made from A25/3C) .	4	—	C	
1482 1454	18F8795	BRACKET, CHAIN GUARD, LOWER, .. GROUP	1	—	MR	
	7F9575	BRACKET, ANGLE, GROUP	1	—		
	8F9575	BRACKET, ANGLE, GROUP	1	—		
4483	31F8795	Cap, bearing, inboard	1	S96	C	JB5/309
	7F8796	Cap, bearing, outboard	1	S21	C	JB5/310
28N/9156370 9097	28F8795	Channel	1	DTD546		
	6F8795	Channel, mounting, for bearing caps ...	1	DTD546		
1461	9F9575	Guard, chain, upper	1	BSS972	C	JB5/311
	19F8795	Guard, chain, lower	1	BSS668	MR	JB5/312
30F8795	SP21	Nipple, grease	2	—	C	
	16F8795	Packing, 1/4" x 7/8" x 4" long	1	DTD142A	C	
33F8795	1SS4188	Pin, screwed, taper, 3-3/16" long	3	S96	MR	JB5/313
	4F8797	Shaft	1	T45	MR	JB5/314
20SS3703	33F8795	Sleeve, bearing	2	S93	C	JB5/315
	4F8797	Sprocket	1	DTD683	MR	JB5/316
	20SS3703	Washer, saddle	2	S1 or S3		

FUSELAGE
CENTRE PORTION

Ref. No.	Part No.	Description	No. off	Matl. Spec.	Cl. of St.	Plate and Illust'n No.
					M.R.	
		1 2 3 4				
		BRAKE, AIR, PORT AND STARBOARD (8 & 9F9574) (Cont'd)				
	1F9392	SHAFT, SPROCKET, BOTTOM, AT RIB ... 113.3, PORT AND STARBOARD, GROUP	1	—	MR	JB5/317
	R & M	Spares for:—				
2A/9500423	CA 13/16"	Bearing	4	—	C	JB5/318
4482	13F9392	Bolt, special, 2 BA (Made from A25/3C) .	4	—	C	JB5/319
1433899	104F8796	BRACKET, CHAIN GUARD, PORT 1/B, STARBOARD 0/B, GROUP	1	—	MR/C	
1433900	105F8796	BRACKET, CHAIN GUARD, PORT 0/B, STARBOARD 1/B, GROUP	1	—	MR/C	
9221	11F9392	BRACKET, ANGLE, GROUP	2	—	C	
2688	6F9392	Bush	2	S21	C	JB5/320
	7F9392	Circlip (Make from AS2030/89)	4	DTD187	C	JB5/321
	14F8796	Guard, chain, lower	2	BSS668	MR	JB5/322
4481	10F9392	Guard, chain, upper	2	BSS972	C	JB5/323
2687	3F9392	Housing	2	S21	C	JB5/324
	14F9392	Packing, 18G x 0.7" x 1.6"	1	L72		
	4SS4188	Pin, screwed, taper	4	S96	MR	JB5/325
	8F9392	Ring, spacing, for bearings	2	S21	MR	JB5/326
	5F9392	Sprocket	2	DTD683	MR	JB5/327
9222	18F8796	Stiffener	2	BSS668	C	JB5/328
	9F9392	Tube, distance, at chain guard	4	DTD464A		
2686	2F9392	Tube, torque	1	T45	C	JB5/329
	20F9580	SHAFT, SPROCKET, BOTTOM, AT RIB ... 162.5, PORT, GROUP	1	—	MR	JB5/330
	22F9580	SHAFT, SPROCKET, BOTTOM, AT RIB ... 162.5, STARBOARD, GROUP	1	—	MR	JB5/331
	27F9580	Spares for:—				
	25F8797	Adaptor, for grease nipple	1	S1		JB5/332
	R & M	Angle, for mounting plate	1	DTD364		
2A/9500427	CA. 2-5/16"	Bearing	2	—	C	JB5/333
	23F9580	BRACKET, UPPER CHAIN GUARD, ... GROUP	1	—		
	24F9580	BRACKET, UPPER CHAIN GUARD, ... GROUP	1	—		
	25F9580	BRACKET, UPPER CHAIN GUARD, ... GROUP	1	—		
	11F8797	CAP, BEARING, OUTBOARD,	1	—	MR	JB5/334

FUSELAGE
CENTRE PORTION

Ref. No.	Part No.	Description	No. off	Matl. Spec.	Cl. of	Plate and Illust'n No.
					St. M.R.	
		1 2 3 4				
		SHAFT, SPROCKET, BOTTOM RIB 162.5 (20 & 22F9580) (Cont'd)				
	10F8797	CAP, BEARING, INBOARD, GROUP ...	1	—	MR	JB5/335
28S/1013561	A55/B4	Spares for:— Screw, grub, 4 BA	1	—	C	
4484	26F9580	Guard, chain, upper	1	BSS972	C	JB5/336
28N/9156370	SP21	Nipple, grease	2	—	C	
1462	15F8795	Packing, 4G x 7/8" x 4" long	1	DTD142A	C	
	1SS4188	Pin, screwed, taper, 3-3/16" long	2	S96	MR	JB5/337
	17F8797	Plate, bearing cap mounting, port	1	L72		
	24F8797	Plate, bearing cap mounting, starboard	1	L72		
	16F8797	Shaft	1	T45		JB5/338
	12F8797	Sleeve, bearing, inboard	1	S96	MR	JB5/339
1436	13F8797	Sleeve, bearing, outboard	1	S96	C	JB5/340
	4F8797	Sprocket	1	DTD683	MR	JB5/341
	20SS3703	Washer, saddle	1	S1 or S3		
1433804	21F8797	Washer, special, outboard bearing cap	2	DTD142A	C	
	29F9580	Washer, spacing, for bearing cap	4	DTD423		
	3F8706	Spigot, top, inboard airbrake	2	L65	MR	JB2/342
	4F8706	Spigot, top, outboard airbrake	2	L65	MR	JB2/343
11555	5F8706	Spigot, bottom, inboard, airbrake	2	L65	C	JB2/344
	8F8706	Spindle, adjuster, for chains	16	S96		JB2/345
		SPRING, COMPRESSION, FOR BOTTOM AIR BRAKE FLAP, AT RIBS 113.5 AND 63.5 (1 & 2F10342)				
		Spares for:—				
	8F10342	Bracket, on flap at rib 113.3	1	DTD410	MR	JB2/346
	9F10342	Bracket, on flap at rib 63.5	1	DTD410	MR	JB2/347
	15F10342	Packing, for bracket (8F10342)	1	L72		
	16F10342	Packing, for bracket (9F10342)	1	L72		
7607	12F10342	SPRING, COMPRESSION AND BRACKET, RIB 113.3, GROUP	1	—	B	JB2/348
7608	13F10342	SPRING, COMPRESSION AND BRACKET, RIB 63.5, GROUP	1	—	B	JB2/349
		Spares for:—				
7612	6F10342	Piston, fork	1	S1	C	JB2/350
7611	5F10342	Slide	1	S1	C	JB2/351
	3F10342	SLIDE, CAM, GROUP	1	—	MR	JB2/352
7613	7F10342	Spring	1	DTD215	C	JB2/353
	14F10342	Tube, distance	1	—		
7610	4F10342	Tube, fork	1	L65	C	JB2/354

FUSELAGE
CENTRE PORTION

Ref. No.	Part No.	Description	No. off	Matl. Spec.	Cl. of St.	Plate and Illust'n No.
					M.R.	
		1 2 3 4				
		BRAKES, AIR, PORT AND STARBOARD (8 & 9F9574) (Cont'd.)				
		STRUCTURE, AIRBRAKE, AT RIB 63.5, PORT AND STARBOARD (1 & 2F9592)				
		Spares for:—				
1387	5F8213	BOLT, GREASER, 7/8" BSF x 5.87" LONG, GROUP	2	—	C	JB6/355
1388	6F8213	BOLT, GREASER, 7/8" BSF x 6.24" LONG, GROUP	1	—	C	JB6/356
1389	8F8213	BOLT, GREASER, 7/8" BSF x 4.58" LONG, GROUP	1	—	C	JB6/357
2958	40F8213	BOLT, GREASER, 7/16" BSF x 5.45" LONG, GROUP	4	—	C	JB6/358
1433913	5F8707	Bolt, eccentric, for cams	4	S96	C	
9160	1F9486	BOX, TOP INNER ROLLER, PORT, GROUP	1	—	C	JB2/359
9161	2F9486	BOX, TOP INNER ROLLER, STAR- BOARD, GROUP	1	—	C	JB2/360
	1F9487	BOX, BOTTOM INNER ROLLER, PORT, GROUP	1	—	MR	JB2/361
	2F9487	BOX, BOTTOM INNER ROLLER, STARBOARD, GROUP	1	—	MR	JB2/362
2959	45F8213	Bush, 1-1/8" dia. x 1-1/8" long	1	S21	C	
2961	46F8213	Bush, 1-1/8" dia. x 1-3/8" long	3	S21	C	
	1F9412	CAM, VARIABLE INCIDENCE, FORWARD, PORT AND STAR- BOARD, GROUP	1	—	MR	JB2/363
		Spares for:—				
12591	3F9412	Cam	1	L53	C	
	1F9413	CAM, VARIABLE INCIDENCE, AFT, STARBOARD, GROUP	1	—	MR	JB2/364
	2F9413	CAM, VARIABLE INCIDENCE, AFT, PORT, GROUP	1	—	MR	JB2/365
	9F8709	Cap, end	8	DTD130	MR	
	10F8709	Cap, end	8	DTD130	MR	
	18F8213	Packer, 1.38" dia. x 0.38" thick	1	DTD364		
	42F8213	Packer, 1" dia. x 0.38" thick	1	L65		
	4F8707	Packing, at cam support bracket	3	—		
	3F9592	Packing, taper, cam support bracket	3	DTD130		
	4F9592	Packing, taper, cam support brackets	3	DTD130		

VULCAN Mk. 2

FUSELAGE
CENTRE PORTION

Page JB. 23

Ref. No.	Part No.	Description				No. off	Matl. Spec.	Cl. of St.	Plate and Illust'n No.
		1	2	3	4			M.R.	
		STRUCTURE, AIRBRAKE, AT RIB 63.5 (1 & 2F9592) (Cont'd)							
	7F8707					2	S3	MR	
	8F8707					2	S3		
	100F8707					4	S3		
	1F8788					1	—	MR	JB6/366
	R & M NA2025					2	—		
	2F8788					1	DTD683		
	4F8386					4	—		
	3F8788					1	DTD364		
	1F8790					3	—	MR	JB3/367
	R & M NA2025					2	—		
	2F8790					1	DTD683		
	4F8386					4	—		
	3F8788					1	DTD364		
	1F9894					1	—	MR	JB6/368
2A/9501298	BRM5/8					2	—	B	
	2F9894					1	DTD683		
	3F8789					1	DTD364		
	1F8791					3	—		JB6/369
2A/9501298	BRM5/8					2	—	B	
	2F8791					1	DTD683		
	3F8788					1	DTD364		
	12F8213					4	Brass	MR	JB6/370
	13F8213					4	Brass	MR	JB6/371
	14F8213					4	Brass	MR	JB6/372
	15F8213					4	Brass	MR	JB6/373
	5F9592					8	Brass		JB2/374

FUSELAGE
CENTRE PORTION

Ref. No.	Part No.	Description	No. off	Matl. Spec.	Cl. of St.	Plate and Illust'n No.
					M.R.	
		1 2 3 4				
		STRUCTURE, AIRBRAKE AT RIB 63.5 (1 & 2F9592) (Cont'd)				
	43F8213	Shim, half laminated, 0.063" thick x 1.12" x 1.12"	4	Brass	MR	JB6/375
	44F8213	Shim, fully laminated, 0.033" thick x 1.12" x 1.12"	4	Brass	MR	JB6/376
		STRUCTURE, TOP, UPPER, PORT AND STARBOARD (39 & 40F8799)				
		Spares for:—				
	41F8799	BOX, ROLLER, PORT, GROUP	1	—		JB2/377
	42F8799	BOX, ROLLER, STARBOARD, GROUP	1	—		JB2/378
		Spares for:—				
	7F8214	Channel, bottom, port	1	L72		
	24F8799	Channel, top, port	1	L72		
	8F8214	Channel, bottom, starboard	1	L72		
	25F8799	Channel, top, starboard	1	L72		
	5F8799	Plate, front, port	1	DTD687		
	6F8799	Plate, front, starboard	1	DTD687		
		STRUCTURE, BOTTOM, LOWER PORT AND STARBOARD (1 & 2F8802)				
		Spares for:—				
9190	3F8902	BOX, ROLLER, PORT, GROUP	1	—	B	JB2/379
9191	4F8802	BOX, ROLLER, STARBOARD, GROUP	1	—	B	JB2/379
		Spares for:—				
	9F8802	Channel, bottom, rear, port	1	L72		
	11F8802	Channel, bottom, forward, port	1	L72		
	10F8802	Channel, bottom, rear, starboard	1	L72		
	12F8802	Channel, bottom, forward, starboard	1	L72		
	5F8802	Plate, front, port	1	DTD687		
	6F8802	Plate, front, starboard	1	DTD687		
	10F8213	Washer, special at bolts	4	DTD364		
	3F8707	Washer, at cam support bracket	12	DTD423		
		STRUCTURE, AIRBRAKE AT RIB 113.3, PORT AND STARBOARD (1 & 2F9593)				
		Spares for:—				
	3F8218	BOLT, GREASER, 7/8" BSF x 10.69" LONG, GROUP	2	—	MR	JB7/381
	3F9593	BOLT, GREASER, 7/16" BSF x 7.72" LONG, GROUP	2	—	MR	JB7/382
2963	21F8218	Bolt, special, 7/16" BSF x 10.94" long	2	S96	C	JB7/383

VULCAN Mk. 2

FUSELAGE
CENTRE PORTION

Page JB. 25

Ref. No.	Part No.	Description	No. off	Matl. Spec.	Cl. of St.	Plate and Illust'n No.
					M.R.	
		1 2 3 4				
		STRUCTURE, AIRBRAKE, RIB 113.3 (1 & 2F9593) (Cont'd)				
143913	4F9593	Bolt, special, 7/16" BSF x 7.09" long	2	S96	MR	JB7/384
	5F8707	Bolt, eccentric, for cams	6	S96	MR/C	
		BOX, TOP INNER ROLLER, PORT AND STARBOARD (1 & 2F9488) Spaers for:—				
	3F9488	BOX, INBOARD, PORT, GROUP	1	—	MR	JB2/385
	4F9488	BOX, INBOARD, STARBOARD	1	—	MR	JB2/386
		GROUP				
	5F9488	BOX, OUTBOARD, PORT, GROUP	1	—	MR	JB2/387
	6F9488	BOX, OUTBOARD, STARBOARD,	1	—	MR	JB2/388
		GROUP				
		BOX, BOTTOM INNER ROLLER, PORT, AND STARBOARD (1 & 2F9489) Spaers for:—				
8250	17F9489	BOX, INBOARD, PORT, GROUP	1	—	MR	JB2/389
	18F9489	BOX, INBOARD, STARBOARD,	1	—	MR/C	JB2/390
		GROUP				
	19F9489	BOX, OUTBOARD, PORT, GROUP	1	—	MR	JB2/391
	20F9489	BOX, OUTBOARD, STARBOARD	1	—	MR	JB2/392
		GROUP				
	20F8218	Bush, eccentric, 2.4" dia. x 4"	3	S96		JB7/393
	10F8708	Bush, eccentric, 2" dia. x 4"	3	S96		JB7/394
	22F8218	Bush, between rollers	4	S96		JB7/395
	1F9412	CAM, VARIABLE INCIDENCE,	1	—	MR	JB2/396
		BOTTOM, PORT AND STARBOARD, GROUP Spaers for:—				
12591	3F9412	Cam	1	L53	C	JB2/397
	1F9413	CAM, VARIABLE INCIDENCE, TOP,	2	—	MR	JB2/398
		PORT AND STARBOARD, GROUP				
	9F8709	Cap, end	12	DTD130	MR	
	10F8709	Cap, end	12	DTD130	MR	
	3F9592	Packing, tapered, at cam support bracket	6	DTD130		
	4F9592	Packing, tapered, at cam support brackets	6	DTD130		
	100F8707	Plate, locking	6	S3		
	1F8788	ROLLER, LARGE, NEEDLE BEARING, PORT AND STARBOARD, GROUP (For Breakdown—See Page JB.23)	2	—	MR	JB7/399
	1F8790	ROLLER, SMALL, NEEDLE BEARING, PORT AND STARBOARD, GROUP (For Breakdown—See Page JB.23)	4	—	MR	JB7/400

FUSELAGE
CENTRE PORTION

Ref. No.	Part No.	Description				No. off	Matl. Spec.	Cl. of	Plate and Illust'n No.
		1	2	3	4			St. M.R.	
		STRUCTURE, AIRBRAKE, RIB 113.3 (1 & 2F9593) (Cont'd)							
	1F8791					5	—		JB7/401
	1F9894					1	—	MR	JB7/402
	23F8218					6	—		
	12F8213					6	Brass	MR	JB7/403
	13F8213					6	Brass	MR	JB7/404
	14F8213					6	Brass	MR	JB7/405
	15F8213					6	Brass	MR	JB7/406
	43F8213					6	Brass	MR	JB7/407
	44F8213					6	Brass	MR	JB7/408
	5F9592					12	Brass		JB2/409
		STRUCTURE, TOP, UPPER, PORT AND STARBOARD (1 & 2F8803) Spares for:—							
	3F8803					1	—	MR	
	4F8803					1	—	MR	
	5F8803					1	—	MR	
	6F8803					1	—	MR	
		STRUCTURE, BOTTOM LOWER, PORT AND STARBOARD (1 & 2F8806) Spares for:—							
	3F8806					1	—	MR	JB2/410
	4F8806					1	—	MR	JB2/411
	8F8806					1	—		JB2/412
	7F8806					1	—		JB2/413
	10F8213					4	DTD364		JB7/414
	7F8218					4	DTD364		JB7/415
	3F8707					4	DTD423		JB2/416

VULCAN Mk. 2

FUSELAGE
CENTRE PORTION

Page JB. 27

Ref. No.	Part No.	Description	No. off	Matl. Spec.	Cl. of St.	Plate and Illust'n No.
					M.R.	
		1 2 3 4				
		BRAKES, AIR, PORT AND STARBOARD (8 & 9F9574) (Cont'd.)				
		STRUCTURE, AIRBRAKE, ATRIB 162.5, PORT AND STARBOARD (1 & 2F9594)				
		Spares for:—				
1433913	5F8707	Bolt, eccentric, at cam brackets	2	S96	C	JB2/417
1394	9F8213	BOLT, GREASER, 7/8" BSF x 4.3"	1	—	C	JB8/418
1393	4F8709	BOLT, GREASER, 7/8" BSF x 8.53"	1	—	C	JB8/419
2967	41F8213	BOLT, GREASER, 7/16" BSF x 7.95"	1	—	C	JB8/420
2969	25F8223	Bolt, special, 7/16" x 4.33" long	1	H.T.S.	C	JB8/421
	1F9490	BOX, TOP, INNER ROLLER, PORT,	1	—	MR	JB2/422
	2F9490	BOX, TOP, INNER ROLLER, STAR- BOARD, GROUP	11	—	MR	JB2/423
	1F9491	BOX, BOTTOM, INNER ROLLER,	1	—	MR	JB2/424
	2F9491	BOX, BOTTOM, INNER ROLLER,	1	—	MR	JB2/425
	47F8213	Bush, 1-1/8" dia. x 3-1/2" long	1	S21	MR	JB8/426
	10F8708	Bush, eccentric, 2" dia. x 4" long	1	S96		JB8/427
	1F9412	CAM, VARIABLE INCIDENCE,	1	—	MR	JB2/428
		PORT AND STARBOARD, GROUP				
		Spares for:—				
12591	3F9412	Cam	1	L53	C	
	1F9413	CAM, VARIABLE INCIDENCE,	1	—	MR	JB2/429
	2F9413	CAM, VARIABLE, INCIDENCE,	1	—	MR	JB2/430
		STARBOARD, GROUP				
	9F8709	Cap, end	4	DTD130	MR	
	10F8709	Cap, end	4	DTD130	MR	
	3F9592	Packing, taper	4	DTD130		
	4F9592	Packing, taper	3	DTD130		
	3F8223	Piece, distance, 1.38" dia. x 62"	1	L65		
	26F8223	Piece, distance, 1" dia. x 0.62"	1	L65		
	4F8707	Piece, packing, 10G x 1-1/8" x 3-1/2"	3	L72		
	100F8707	Plate, locking	2	S3		
	8F8707	Plate, locking	1	S3		

FUSELAGE
CENTRE PORTION

Ref. No.	Part No.	Description	No. off	Matl. Spec.	Cl. of St.	Plate and Illust'n No.
					M.R.	
		1 2 3 4				
		STRUCTURE, AIRBRAKE, RIB 162.5 (1 & 2F9594) (Cont'd)				
	1F8788	ROLLER, LARGE, NEEDLE BEARING, GROUP (For Breakdown—See Page JB. 23)	1	—	MR	JB8/431
	1F8790	ROLLER, SMALL, NEEDLE BEARING, GROUP (For Breakdown—See Page JB. 23)	1	—	MR	JB8/432
	1F8791	ROLLER, SMALL, BALL BEARING, .. GROUP (For Breakdown—See Page JB. 23)	2	—	MR	JB8/433
	23F8218	Screw, for locking plate	1	—		
	12F8213	Shim, half laminated, 0.063" thick x 1.5" x 1.5"	2	Brass	MR	JB8/434
	13F8213	Shim, fully laminated, 0.033" thick x 1.5" x 1.5"	2	Brass	MR	JB8/435
	14F8213	Shim, half laminated, 0.063" thick x 1.12" x 1.12"	2	Brass	MR	JB8/436
	15F8213	Shim, fully laminated, 0.033" thick x 1.12" x 1.12"	2	Brass	MR	JB8/437
	43F8213	Shim, half laminated, 0.063" thick x 1.12" x 1.12"	2	Brass	MR	JB8/438
	44F8213	Shim, fully laminated, 0.033" thick x . . . 1.12" x 1.12"	2	Brass	MR	JB8/439
	5F9592	Shim, half laminated, 0.066" thick x . . . 1.12" x 1.12"	4	Brass		JB2/440
		STRUCTURE, TOP, UPPER, PORT AND STARBOARD (1 & 2F8807)				
		Spares for:—				
	5F8807	Angle, panel support, port	1	L72	C	JB2/441
	6F8807	Angle, panel support, starboard	1	L72		JB2/442
	3F8807	BACKPLATE, PORT, GROUP	1	—		
	4F8807	BACKPLATE, STARBOARD, GROUP	1	—		
	27F8807	Bolt, special	10	—		
		STRUCTURE, SUPPORT, SPROCKET AND SHAFT, PORT AND STAR- BOARD (1 & 2F11143) (Mod. 639)				
		Spares for:—				
	SS4113	Screw, P.K.	5	—	MR	
	11F9962	GUARD, CHAIN, PORT, GROUP	1	—		
	12F9962	GUARD, CHAIN, STARBOARD, GROUP	1	—		
		Spares for:—				
	11cF9962	Guard, chain	1	BSS668		

VULCAN Mk. 1

FUSELAGE
CENTRE PORTION

Page JB. 29

Ref. No.	Part No.	Description				No. off	Mati. Spec.	Cl. of	Plate and Illust'n No.
		1	2	3	4			St. M.R.	
		STRUCTURE, AIRBRAKE, RIB 162.5 (1 & 2F9594) (Cont'd)							
28W/1007776	10F8213	Washer, special, under 7/8" bolt heads . .				2	DTD364		JB8/443 JB2/444
	3F8707 B & C	Washer, special, at cam support brackets .				12	DTD423		
	1106	Washer, locking, for screw				1	—	C	
		SWITCHES, MICRO, ON RIB 63.5, PORT AND STARBOARD (11 & 14F9453) (Mod. 1340)							
		Spares for:—							
	2F9453	Angle, support, top switch				1	L72		
	3F9453	Angle, support, top switch				1	L72		
	11F9451	BRACKET, MOUNTING MIDDLE				1	—		JB3/445
		SWITCH, PORT AND STARBOARD, GROUP							
		Spares for:—							
1510573	25SS4140	Bolt, csk. at switches				2	—		
	5F9451	BRACKET, GROUP				1	—		
	6F9451	LEVER, ASSEMBLY, L.H., GROUP . .				1	—		JB3/446
	7F9451	LEVER, ASSEMBLY, R.H., GROUP .				1	—		JB3/447
		Consisting of:—							
12775	21F8706	Lever, L.H.				1	DTD130	C	
12776	22F8706	Lever, R.H.				1	DTD130	C	
	413/SS4141	Rivet				2	—		
	23F8706	Roller				2	DTD130	MR	
	24F8706	Tube, distance				2	S1		
28N/1045680	AGS899/2	Collar				1	—	C	
	4F9451	Pin, for levers				1	S1		
	17N794	Spring, for levers				2	—		JB3/448
5CW/1084481	CDN1241Z/Mk.1A	Switch, limit, starboard (Dowty)				2	—	A	JB3/449
	11F9452	BRACKET, MOUNTING, TOP SWITCH, PORT, GROUP				1	—		JB3/450
	17F9452	BRACKET, MOUNTING, TOP SWITCH, STARBOARD, GROUP				1	—		JB3/451
		Spares for:—							
1510573	25SS4140	Bolt, csk. at switches				2	—	C	
5653	4F9452	BRACKET, MOUNTING, GROUP				1	—	C	
28N/1045680	AGS899/2	Collar, for pivot block pin				1	—	C	
	5F9452	LEVER ASSEMBLY, GROUP				1	—	MR	JB3/452
		Spares for:—							
	6F9452	LEVER, GROUP				1	—	MR	
28P/7134167	SP4Y/B16	Pin, 2 BA, for pivot block				1	—	C	
	17N794	Spring, for lever				1	—	C	JB3/453
5CW/1084481	CDN1241Z/Mk. 1A	Switch, limit (Dowty)				2	—	A	JB3/454

FUSELAGE
CENTRE PORTION

Ref. No.	Part No.	Description	No. off	Matl. Spec.	Cl. of	Plate and Illust'n No.
					St.	
		1 2 3 4				
		SWITCHES, MICRO, ON RIB 63.5 (11 & 14F9453) (Cont'd)				
	11F9588	BRACKET, MOUNTING, BOTTOM . . SWITCH, PORT AND STARBOARD, GROUP	1	—		JB3/455
1510573	25SS4140	Spares for:— Bolt, csk. at switches	2	—	C	
5656	2F9588	BRACKET, MOUNTING, GROUP .	1	—	C	
28N/1045680	AGS899/2	Collar, for pivot block pin	1	—	C	
	5F9452	LEVER ASSEMBLY, GROUP	1	—	MR	JB3/456
	27F8706	Spares for:— Block, pivot	1	DTD130		
	6F9452	LEVER, GROUP	1	—	MR	
	28F8706	Consisting of:— Lever, adjustable	1	DTD130		
	41SS4141	Rivet	1	—		
	23F8706	Roller	1	DTD130	MR	
	24F8706	Tube, distance	1	S1		
	29F8706	Nut, knurled	1	DTD130		JB3/457
	30F8706	Nut, special	1	—		JB3/458
28S/1214787	A58/B5	Screw, grub, 4 BA	1	—	C	
28P/7134167	SP4Y/B16	Pin, 2 BA, for pivot block	1	—	C	
	17N794	Spring, for lever	1	—		
5CW/1084481	CDN1241Z/ Mk. 1A	Switch, limit (Dowty)	2	—	A	JB3/459
	666SS6005	Label, "A.B." (port lower)	1	L59		
	668SS6005	Label, "E.F." (port upper)	1	L59		
	670SS6005	Label, "J.K." (starboard lower)	1	L59		
	300SS6030	Label, "L.M." (starboard upper)	1	L59		
9071	14F9574	TUBE, BRACING, TOP INBOARD, PORT AND STARBOARD, GROUP (Mod. 672)	1	—	C	JB2/460
9072	15F9574	TUBE, BRACING, TOP OUTBOARD, PORT AND STARBOARD, GROUP (Mod. 672)	1	—	C	JB2/461
12296	17F9574	TUBE, BRACING, BOTTOM INBOARD, PORT AND STARBOARD, GROUP (Mod. 672)	1	—	C	JB2/462
9089	3F9574	Turnbuckle	2	S96	C	JB2/463

VULCAN Mk. 2

FUSELAGE
CENTRE PORTION

Page JB. 30A

Ref. No.	Part No.	Description	No. off	Matl. Spec.	Cl. of	Plate and Illust'n No.
					St. M.R.	
		1 2 3 4				
BRAKE, PARKING, INSTALLATION (2Z7704)						
Spares for:—						
28D/1215215 21698 21700 28N/1045680	AS4569/8C 33Z7704 35Z7704 AGS899/2	Bolt, 2 BA	1	—	C	JB39/1996
		Bracket	2	S510	C	JB39/1997
		Collar, distance	2	S1	C	JB39/1998
		Collar	2	—	C	JB39/1999
	1.O.3520	FAIRLEAD, ROLLER, GROUP	4	—	MR	JB39/2000
Spares for:—						
	3.O.3520	Bracket	1	DTD721		
	4.O.3520	ROLLER, ASSEMBLY	3	—	MR	JB39/2001
Spares for:—						
	4a.O.3520	Bush, oilite, CT.419 x .29"	1	—		
	4b.O.3520	Roller	1	Oil Resisting		
Attachments for:— Fairlead Pt. No.						
		1.O.3520				
28D/9133011 28M/1012015 28W/9419402	A25/2C AGS2001/C1/66 SP13/C	Bolt, 2 BA	3	—	C	JB39/2002
		Nut, 2 BA	3	—	C	
		Washer, 2 BA	3	—	C	
	32Z7704	Housing, spring	1	—		JB39/2003
13138	1Z7760	LEVER, GROUP	1	—	C	JB39/2004
Spares for:—						
28D/1011246	A25/11E	Bolt, 1/4" BSF	1	—	C	JB39/2005
	6Z7760	Lever	1	—		JB39/2006
28M/1011467	A27/ES	Nut, slotted, 1/4" BSF	1	—	C	
	4Z7760	Plate	1	DTD610		
	7Z7760	Plate, side	1	DTD610		
	8Z7760	Plate, side	1	DTD610		
28P/9527619 28W/9419402	SP90/C7 SP13/C 5Z7760	Pin, split	1	—	C	
		Washer	1	—	C	
		Tube, distance	1	T35		JB39/2007
Attachments for:— Lever Pt. No. 1Z7760						
28D/9436920 28M/1012015 28W/9419402	A25/1C AGS.2001/C1/66 SP13/C	Bolt, 2 BA	4	—	C	JB39/2008
		Nut, stiff, 2 BA	4	—	C	
		Washer, 2 BA	4	—	C	
	1Z7758	LEVER, GROUP	1	—		JB39/2009
Spares for:—						
4715	FSB.54	Bush, .75" long	2	—		JB39/2010
	6Z7758	Housing	1	—		JB39/2011
21695	8Z7758	Lever	1	—		JB39/2012
21696	9Z7758	Lever	1	—		JB39/2013
21694	7Z7758	Tube	1	T35		JB39/2014
1433954 28M/5808573	18Z7704 A27/CS	Link	1	DTD364.	C	JB39/2015
		Nut, slotted, 2 BA	1	—	C	

FUSELAGE
CENTRE PORTION

Ref. No.	Part No.	Description	No. off	Matl. Spec.	Cl. of St.	Plate and Illust'n No.
					M.R.	
		1 2 3 4				
		BRAKE, PARKING, INSTALLATION (2Z7704) (Cont'd)				
28P/9130722	SP/4/Y/B2	Pin, shackle	2	—	C	JB39/2016
28P/1013002	SP/4/Y/B9	Pin, shackle	1	—	C	JB39/2017
28P/1013110	SP/4/Y/B18	Pin, shackle	1	—	C	JB39/2018
28P/1021104	SP90/C3	Pin, split	2	—	C	
28P/9527619	SP90/C7	Pin, split	2	—	C	
	5Z7704	ROD, CONNECTING, AFT OF FORMER 218" TO AFT OF FORMER 115.5", GROUP	1	—		JB39/2019
28M/1007404	A27/JT	Spares for:— Nut, thin, 3/8" BSF	1	—	C	JB39/2020
	25.O.3506	ROD-END, GROUP Spares for:—	1	—	MR	JB39/2021
28R/4665592	R & M CM3/6"B 25a.O.3506	Rod-end	1	—	C	
		Stud	1	S1 or S93		
	44.O.3506	ROD-END, GROUP Spares for:—	1	—	MR	JB39/2022
28R/4665592	R & M CM3/16"B 44a.O.3506	Rod-end	1	—	C	
		Screwed-end	1	—		
	8Z—7704	ROD, CONNECTING, AFT OF FORMER 115.5" TO LEVER AT FORMER 86.5", GROUP	1	—	MR	JB39/2023
		Spares for:—				
28M/1007404	45.O.3506	Fork-end	1	—		JB39/2024
	A27/JT	Nut, thin, 3/8" BSF	1	—	C	JB39/2025
	25.O.3506	ROD-END, GROUP Spares for:—	1	—	MR	JB39/2026
28R/4665592	R & M CM3/16"B 25a.O.3506	Rod-end	1	—	C	
		Stud	1	S1 or S93		
	1Z7759	ROD, CONNECTING, SPRING, LEVER TO LEVER AT FORMER 86.5" GROUP	1	—		JB39/2027
		Spares for:—				
	4Z7759	Bolt	1	—		JB39/2028
	3Z7759	Housing	1	—		JB39/2029
28M/1007404	A27/JT	Nut, thin, 3/8" BSF	1	—	C	JB39/2030
28M/1011473	A27/JP	Nut, 3/8" BSF	1	—	C	JB39/2031
	44.O.3506	ROD-END, GROUP Spares for:—	1	—		JB39/2032
28R/4665592	R & M CM3/16"B 44a.O.3506	Rod-end	1	—	C	
		Screwed-end	1	—		

VULCAN Mk. 2

FUSELAGE
CENTRE PORTION

Page JB. 30C

Ref. No.	Part No.	Description	No. off	Mati. Spec.	Cl. of	Plate and Illust'n No.
					St. M.R.	
		1 2 3 4				
		ROD, CONNECTING, SPRING (1Z7759) (Cont'd)				
28R/4665592	R & M CM3/16"B 5Z7759	Rod-end	1	—	C	JB39/2033
		Spring	1	—	MR	JB39/2034
	17Z7704	ROD, CONNECTING, LEVER TO VALVE, ... GROUP	1	—		JB39/2035
		Spares for:—				
28R/4665592	R & M CM3/16"B 17aZ7704	Rod-end	1	—	C	
		Stud	1	S1 or S93		
		Attachments for Connecting Rods Pt. Nos. 5/8/17Z7704 and 1Z7759				
28D/1214005	AS.2504/7C	Bolt, 2 BA	5	—	C	JB39/2036
28M/5808573	A27/CS	Nut, slotted, 2 BA	5	—	C	
28P/9527619	SP90/C7	Pin, split	5	—	C	
28W/9419402	SP13/C	Washer, 2 BA	5	—	C	
8329	16SS4700	Spring, tension	1	Spring Steel	C	JB39/2037
21699	34Z7704	Tube, distance	2	T35	C	JB39/2038
28W/9419402	SP13/C	Washer, 2 BA	2	—	C	
		BRAKE, PARKING INSTALLATION (30Z7704) (See—Fuselage—Crew's Nacelle)				

VULCAN Mk. 1

FUSELAGE
CENTRE PORTION

Page JB. 31

Ref. No.	Part No.	Description	No. off	Matl. Spec.	Cl. of	Plate and Illust'n No.
					St. M.R.	
		1 2 3 4				
		STRUCTURE, CENTRE PORTION (D10631) (Cont'd)				
	AT.62414	BRACE, CROSS, FRONT, BETWEEN BOMB ARCHES 108.687"A AND 123.015"A, GROUP	2	—		JB16/464
	AT.62415	BRACE, CROSS, REAR, BETWEEN BOMB ARCHES 171.842"A AND 182.967"A, GROUP	2	—		JB16/465
	C/AT62414	Spares for:—				
	A29/GP	Bolt, eye	1	L65		JB16/466
28M/4095936		Nut	1	—	C	
	1D8819	Bracket, attachment, bomb arches to bottom boom, port	6	DTD683		JB17/467
	2D8819	Bracket, attachment, bomb arches to bottom boom, starboard	6	DTD683		JB17/468
3645	3D8819	Bracket, attachment, bomb arches to bottom boom, port	2	DTD683	C	JB17/469
3646	4D8819	Bracket, attachment, bomb arches to bottom boom, starboard	2	DTD683	C	JB17/470
11044	5D8653	Bracket, stringer termination	1	DTD88C	C	
	6D8653	Bracket, stringer termination	2	DTD88C	MR	
11047	7D8653	Bracket, stringer termination	2	DTD88C	C	
11045	9D8653	Bracket, stringer termination	2	DTD88C	C	
9561	9D8654	Bracket, stringer termination	2	DTD88C	C	
9562	10D8654	Bracket, stringer termination	6	DTD88C	C	
	11D8654	Bracket, stringer termination	6	DTD88C	MR	
	12D8654	Bracket, stringer termination	4	DTD88C	MR	
10349	13D8654	Bracket, stringer termination	4	DTD88C	C	
	14D8654	Bracket, stringer termination	6	DTD88C	MR	
10348	15D8654	Bracket, stringer termination	10	DTD88C	C	
	18D8656	Bracket, stringer termination	6	DTD88C	MR	
	2D12146	Bracket, stringer termination	1	DTD5004	MR	
	3D12146	Bracket, stringer termination	1	DTD5004	MR	
	2D12147	Bracket, stringer termination	10	DTD5004	MR	
	2D12148	Bracket, stringer termination	2	DTD5004	MR	
		BULKHEAD, ENGINE, REAR, PORT AND STARBOARD (E2911) (See Power Installation—Engine Bulkheads)				
		BULKHEAD, ENGINE, FRONT, PORT AND STARBOARD (E2928) (See Power Installation—Engine Bulkheads)				
		BULKHEAD, FIREPROOFING AND FORMER 189.5"F (100D9400)				
		Spares for:—				
5VZ/6354	—	Clip, fixing, for firewires	8	—	C	JB9/471
26FP/13457	4SS3859	Clip, pipe	5	—	C	JB9/472
	57SS3554	Cone, piece, special, 5 way	1	L33		JB9/473
	8SS3569	Elbow, special cone	2	L33		JB9/474
5CZ/7001127	—	Element, firewire, 5' long	2	—	A	JB9/475
5CZ/7001128	—	Element, firewire, 10' long	2	—	A	JB9/476

FUSELAGE
CENTRE PORTION

Ref. No.	Part No.	Description	No. off	Mati. Spec.	Cl. of St.	Plate and Illust'n No.	
					M.R.		
		1	2	3	4		
BULKHEAD, FIREPROOFING AND FORMER 189.5" F (100D9400) (Cont'd)							
5CZ/6658	— 2D9400 14SS3529	Fitting, bulkhead	4	—	B	JB9/477	
		Former, pressing	1	L72	MR		
		Grommet	4	—			
10AL/ 9144677	SP40/A4 17D9400	Grommet	4	Rubber	C		
		Packing, for special union	1	L72			
	68D9400	PIPE, TRANSVERSE FEED, 20G x 3/8" o/d x 12-1/2" LONG, GROUP	2	—		JB9/478	
	69D9400	PIPE, TRANSVERSE FEED, 20G x 3/8" o/d x 34" LONG, GROUP	2	—		JB9/479	
21715	70D9400	PIPE, VERTICAL SPRAY, 20G x 3/8" x 43-1/4" LONG, GROUP	1	—	C	JB9/480	
28FP/10114 5CZ/1034035	2F9252 1SS1585 — 115SS3557 HIGH PRESS. COMPONENTS	Plate, tank button	30	L72	MR	JB25/481	
		Tab, locking	2	Brass	C		
		Tab, locking	2	—	C		
		Union, special	2	—		JB9/482	
28Y/15486 28W/1010155 5CZ/7001751	A25 Mk. 2 AGS162/B —	Valve, charging	1	—	B	JB9/483	
		Washer, spring	8	—	C		
		Washer, "S" folding	4	Copper	C	JB9/484	
5CZ/1040248	GRAVINER D2003	Washer, torque	4	—	C	JB9/485	
		BULKHEAD, 343.387" A (38D9427)	—	—		JB16/486	
		Spares for:—					
8226 1432890	39D8844 16D9427 8D10910	Angle, port	1	L72			
		Bearing	4	DTD364	C		
		Bracket	1	L65			
10906	14T4122	BRACKET, MOUNTING, GROUP	2	—	C		
		(3 off—Pre-Mod. 2513)					
23053	28T4288	BRACKET, MOUNTING, GROUP	2	—	C		
		(Mod. 2513)					
	12SS4204	Bush, ring lock, 7/16" dia.	1	—	MR		
	32SS4204	Bush, ring lock, 5/8" dia.	1	—			
	5D9427	Member, cross, top	1	DTD364B			
	6D9427	Member, cross, bottom	1	DTD364B			
	9D10910	Packing, for bracket (8D10910)	1	L72			
8230	7D8844	Stiffener, port	1	L72	MR		
	9D8844	Stiffener, port	1	L72	C		
CONDUITS UNDER AIR INTAKES, PORT AND STARBOARD (1-2V6366) (Pre-Mod. 360)							
CONDUITS UNDER AIR INTAKES, PORT AND STARBOARD (1 & 2V8765) (Mod. 360)							
Spares for:—							
26FP/13092 26FP/13019	5V6360 4SS3264 10SS3264 11V6366 651SS4095	Angle	1	L72	MR		
		Clip	2	—	C		
		Clip, port	5	—	C		
		Clip, half	10	L72			
		Clip, half	1	—			

FUSELAGE
CENTRE PORTION

Ref. No.	Part No.	Description	No. off	Matl. Spec.	Cl. of St.	Plate and Illust'n No.
					M.R.	
		1 2 3 4				
		CONDUITS, UNDER AIR INTAKES 1 & 2V8765 (Mod. 360)				
		CONDUITS, UNDER AIR INTAKES 1 & 2V6366 (Pre-Mod. 360) (Cont'd)				
	652SS4095	Clip, half	3	—		
	17SS1862	Clip, half	4	—		
	23V8765	Clip, half	4	L72		
	3V6366	Conduit, inboard forward, starboard	1	L54		JB9/487
	35V6366	Conduit, outboard forward	1	—		JB9/488
	4V6366	Conduit, bottom forward, port	1	—		
		(Pre-Mod. 360)				
	3V8765	Conduit, bottom forward, port	1	—		
		(Mod. 360)				
	36V6366	Conduit, bottom forward, starboard	1	—		JB9/489
		(Pre-Mod. 360)				
	4V8765	Conduit, bottom forward, starboard	1	—		
		(Mod. 360)				
	10V8765	Conduit, inboard forward, port	1	L54		JB9/490
	11V8765	Conduit, outboard forward, port	1	L54		JB9/491
	14V8765	Conduit, inboard rear, starboard	1	L56		JB9/492
	15V8765	Conduit, inboard forward, starboard	1	L54		JB9/493
	21V8765	Conduit, outboard, centre	1	L54		JB9/494
	22V8765	Conduit, outboard, rear	1	L72		JB9/495
	43V6366	Conduit, inboard rear, port	1	L65		JB9/496
	23SS3529	Grommet	1	—		
17241	18V6366	Washer, special, at half clip	26	L72	C	
		CONDUITS, FORWARD OF RIB INTERCOSTAL, No. 20 IN ENGINE BAYS (1 & 2V6586) Spares for:—				
	17cSS4205	Clip	3	—		
	3V6586	Conduit, port and starboard	1	L62 or L65		JB9/497
	9V6586	Fairlead, half starboard	2	BSS668		
		CONDUITS IN POWER COMPARTMENT, PORT AND STARBOARD (1 & 2V9482) Spares for:—				
26FP/13069	16SS3264	Clip	2	—	C	
	28SS3264	Clip	4	—		
	3V9482	Conduit, 22G x 2" o/d x 26"	1	L56		JB9/498
	4V9482	Conduit, 22G x 1-1/4" o/d x 26"	1	L56		JB9/499
	5V9482	Conduit, 22G x 2" o/d x 26"	1	L56		JB9/500
	5D10631	Conduit, rear of front spar over air intake	2	—		JB9/501
		forward (Mod. 360)				
	6D10631	Conduit, rear of front spar over air intake	2	—		JB9/502
		forward (Mod. 360)				
	53D9344	Conduit (Pre-Mod. 360)	2	—		

FUSELAGE
CENTRE PORTION

Ref. No.	Part No.	Description	No. off	Matl. Spec.	Cl. of St.	Plate and Illust'n No.
					M.R.	
		1 2 3 4				
		CONDUITS UNDER AIR INTAKES (1 & 2V6366) (Pre-Mod. 360)				
		CONDUITS UNDER AIR INTAKES (1 & 2V8765) (Mod. 360) (Cont'd)				
	172D9344 260D10631	Conduit (Pre-Mod. 360)	2	—		
		Conduit in engine bays at intercostal No. 40, . port and starboard	2	L56 or L62		JB9/503
		CRATE, ELECTRICS IN NOSE WHEEL BAY, PORT (1V9443)				
		Spares for:—				
	14V9443	Flange mounting for frequency change (Pre-Mod. 1325)	—	—		
	57V9443	BRACKET, MOUNTING FOR FREQUENCY CHANGER, GROUP (Mod. 1325)	—	—	MR	JB9/504
	4V9443	CHASSIS, RECTIFIER BOX, GROUP	1	—		JB9/505
		Spares for:—				
	2V6578	Peg, locating	4	S1	MR	JB9/506
	48V6580	Washer, 12G x 0.75" x 0.75"	2	L72	MR	JB9/507
	STAN. TELE RID1012/3	Washer	4	—		JB9/508
	54V9443	CRATE, MOUNTING CONTROL PANEL . . TYPE 40, GROUP	1	—		JB9/509
		Spares for:—				
4626	4V6578 MARCONI W14183/ SHT.1/EOS	Catch, retaining	4	DTD3648	C	JB9/510
		Device, locking assembly	4	—		JB9/511
10AJ/137	—	Mounting, anti-vibration	4	—	B	JB9/512
	2V6578	Peg, locating	4	S1	MR	JB9/513
	48V6520	Washer	8	L72	MR	JB9/514
		CRUTCHES, BOMB REAR BETWEEN BOMB ARCHES 151.919" A, AND 182.967" A, STARBOARD (AT81855) PORT (AT81856)				
		Spares for:—				
1432859	AT.39845 AT.63103	Bolt, special at bomb arch 151.199"	4	H.T.S. DTD683	C	
		Bracket, attachment at bomb arch 151.919", port	1	DTD683		
	AT.63104	Bracket, attachment at bomb arch 151.919", starboard	1	DTD683		

VULCAN No. 2

FUSELAGE
CENTRE PORTION

Page JB. 35

Ref. No.	Part No.	Description	No. off	Matl. Spec.	Cl. of	Plate and Illust'n No.
					St. M.R.	
		1 2 3 4				
		CRUTCHES, BOMB REAR, BETWEEN BOMB ARCHES 151.919" A AND 182.967" A, STARBOARD (AT.81855) PORT (AT.81856) (Cont'd)				
	AT.62498	PAD, CRUTCH, PORT, GROUP	1	—		
	AT.62497	PAD, CRUTCH STARBOARD, GROUP ...	1	—		
	AT.38325	TUBE, BRACING, GROUP	1	—		
		CRUTCHES, BOMB FORWARD BETWEEN BOMB ARCHES 95.967" AND 123.015", PORT (AT.81857) STARBOARD (AT.81858) Spares for:—				
	AT.62502	PAD, CRUTCH, PORT, GROUP	1	—		
	AT.62503	PAD, CRUTCH, STARBOARD, GROUP ..	1	—		
	AT.38332	TUBE, BRACING, GROUP	1	—		
	33D9490	DOOR ACCESS BETWEEN FORMERS 370A AND 399A, STARBOARD, GROUP (Mod. 481) Spares for:—	1	—	MR	JB27/515
4743	7D9490	CATCH, DOOR, GROUP	2	—	C	JB27/516
	6F8053	Catch	1	DTD721		
	9D9490	Handle	1	DTD721		
4123	16D9490	HOOK, LH AND RH, GROUP	2	—	B	JB27/517
	11D9490	Hook	1	DTD3648	MR	JB27/518
	9Z7184	Nut, lock	1	S93		
	12F8053	Pin	1	S96		
	17D9490	Plate, link L.H.	1	L72		
	18D9490	Plate, link R.H.	1	L72		
2020	10Z7184	Trunnion, R.H.	1	S93	C	JB27/519
2012	11Z7184	Trunnion, L.H.	1	S93	C	JB27/520
2019	8Z7184	Turnbuckle	1	S96	C	JB27/521
	10D9490	Housing	1	L72	—	JB27/522
	10F8053	Pin	1	S96	MR	JB27/523
	9F8053	Spring	1	—	MR	JB27/524
2024	5Z7184	Spring	1	—	C	JB27/525
	4Z7184	Tube, distance, 1-1/4" long	1	S93		JB27/526
	6D9490	Hinge, undrilled	1	L72		JB27/527
		(Make from AS.1880 x 27-1/2" long)				

FUSELAGE
CENTRE PORTION

Ref. No.	Part No.	Description	No. off	Mati. Spec.	Cl. of St.	Plate and Illust'n No.
					M.R.	
		1 2 3 4				
		STRUCTURE, CENTRE PORTION (D10631) (Cont'd.)				
		DOORS, BOMB, PORT AND STARBOARD INNER AND OUTER (D8900) (D8901) (See Fuselage Bomb Doors)				
		DOORS, ENGINE ACCESS, PORT AND STARBOARD (1 & 2F10671) Spares for:—				
		CAPPING, BOTTOM BOOM RIB 63.5, PORT AND STARBOARD (75 & 76F10671) Spares for:—				
	41cF7839	Channel, forward, port	1	L72	MR	JB23/528
	42cF7839	Channel, forward, starboard	1	L72	MR	JB23/529
	41dF7839	Channel, intermediate, forward, port	1	L72	MR	JB23/530
	42dF7839	Channel, intermediate, forward,	1	L72	MR	JB23/531
		starboard				
	41eF7839	Channel, centre, port	1	L72	MR	JB23/532
	42eF7839	Channel, centre, starboard	1	L72	MR	JB23/533
	41fF7839	Channel, intermediate, rear, port	1	L72	MR	JB23/534
	42fF7839	Channel, intermediate, rear	1	L72	MR	JB23/535
		starboard				
	41gF7839	Channel, rear, port	1	L72	MR	JB23/536
	42gF7839	Channel, rear, starboard	1	L72	MR	JB23/537
561	1F11808	DOOR, ENGINE ACCESS, INBOARD	1	—	A	JB10/538
		FORWARD, PORT, GROUP (Mod. 906)				
532	1F10673	DOOR, ENGINE ACCESS, INBOARD	1	—	A	
		FORWARD, PORT, GROUP (Pre-Mod. 906)				
562	2F11808	DOOR, ENGINE ACCESS, INBOARD	1	—		JB10/539
		FORWARD, STARBOARD, GROUP (Mod. 906)				
533	2F10673	DOOR, ENGINE ACCESS, INBOARD	1	—	A	
		FORWARD, STARBOARD, GROUP (Pre-Mod. 906)				
		Spares for:—				
	1SS5824	Cap, end for seals (Mod. 2280)	24	—	MR	
	1SS5826	Cap, end for seals (Mod. 2280)	4	—	MR	
	79F8653	Bolt, special	3	S96	MR	JB10/540
	109F7843	Blpcks, port and starboard	5	Tufnol		
	83F10672	Bracket, hinge, forward, port	1	S96		JB10/541
	84F10672	Bracket, hinge, forward, starboard	1	S96		JB10/542
	85F10672	Bracket, hinge, intermediate, forward,	1	S96		JB10/543
		port				
	86F10672	Bracket, hinge, intermediate, forward,	1	S96		JB10/544
		starboard				
	87F10672	Bracket, hinge, centre, port	1	S96		JB10/545
	88F10672	Bracket, hinge, centre, starboard	1	S96		JB10/546

FUSELAGE
CENTRE PORTION

Ref. No.	Part No.	Description	No. off	Matl. Spec.	Cl. of	Plate and Illust'n No.
					St. M.R.	
		1 2 3 4				
		DOOR, ENGINE ACCESS, INBOARD FWD., PORT AND STARBOARD (Cont'd)				
	89F10672	Bracket, hinge, intermediate, rear, port . .	1	S96		JB10/547
	90F10672	Bracket, hinge, intermediate, rear, starboard	1	S96		JB10/548
	91F10672	Bracket, hinge, rear, port	1	S96		JB10/549
	92F10672	Bracket, hinge, rear, starboard	1	S96		JB10/550
	1F11367	DOOR, ACCESS, OIL TANK CONTENTS GAUGE, GROUP	1	—	MR	JB10/551
	AS3170	Spares for:— Door, access	1	—	MR	
	108F8654	Drain, assembly	1	—		B10/552
	3F11538	DUCT, VANE & DE-ICING, PORT, GROUP (Mod. 906)	1	—		JB10/553
	4F11538	DUCT, VANE & DE-ICING, STAR- BOARD, GROUP (Mod. 906)	1	—		JB10/554
	6F11538	Spares for:— Ring, retaining	1	S521	MR	JB10/555
	5F11538	Seal, garter	1	Asbestos	MR	JB10/556
	5F8653	Former, forward, stn. 68.42", port	1	L72		
	6F8653	Former, forward, stn. 68.42", starboard . .	1	L72	MR	JB10/557
	7F8653	Former, aft, stn. 68.42", port	1	L72		
	8F8653	Former, aft, stn. 68.42", starboard	1	L72	MR	JB10/558
	2F9206	HANDLE, AT STATION 68.42", PORT . . AND STARBOARD, GROUP	1	—	MR	JB10/559
	10F9206	Spares for:— CATCH, GROUP	1	—	C	JB10/560
7392	11F8053	Pin	2	S96	MR	JB10/561
	9F8053	Spring	1	—	MR	JB10/562
26FP/13043	1SS3259	Plate, mod.	1	L59	C	
26FP/13044	1SS3260	Plate, serial	1	L59	C	
	95F8656	Ring, stiffening	1	L59	MR	JB10/563
	20F/10672	Seal, "P" rear (Pre-Mod. 2280) (Made . . . from 1SS4561, Ref. 26DC/7499)	1	DTD5509		
	134F10672	Seal, "P" rear (Mod. 2280) (Made from 1SS5825, Ref. 26DC/1510283)	1	—	—	JB10/564
	32F10672	Seal, "P" outboard (Pre-Mod. 2280) (Made from 1SS4488, Ref. 26DC/7738)	1	DTD5509		
	135F10672	Seal, "P" outboard (Mod. 2280) (Made . . from 1SS5823, Ref. 26DC/1510281)	1	—	—	JB10/565
	33F10672	Seal, "P" inboard (Pre-Mod. 2280) (Made from 1SS4488, Ref. 26DC/7738)	1	DTD5509		
	136F10672	Seal, "P" inboard (Mod. 2280) (Made . . . from 1SS5823, Ref. 26DC/1510281)	1	—	—	JB10/566

FUSELAGE
CENTRE PORTION

Ref. No.	Part No.	Description	No. off	Mati. Spec.	Cl. of	Plate and Illust'n No.
					St. M.R.	
		1 2 3 4				
		DOOR, ENGINE ACCESS, INBOARD FWD., PORT AND STARBOARD (Cont'd)				
	127F10672	SPIGOT, FORWARD, GROUP	1	—		JB10/567
	128F10672	SPIGOT, CENTRE, GROUP	1	—		JB10/568
	129F10672	SPIGOT, AFT, GROUP	1	—		JB10/569
	66F8653	Spring, ring, at bolts	2	—	MR	JB10/570
8766	95F8653	Stringer, port and starboard	6	L72	C	
8767	96F8653	Stringer, port and starboard	6	L72	C	
8768	97F8653	Stringer, port and starboard	6	L72	C	
	101F8653	Stringer, port	1	L72	C	
	102F8653	Stringer, starboard	1	L72	MR	
		NOTE:—Stringers 95, 96, 97, 101 and 102F8653, Made from 665SS1793 Ref. 26DC/12004				
	13F10672	Strip, seal retaining, rear, port	1	L72		JB10/571
	14F10672	Strip, seal retaining, rear, starboard	1	L72		JB10/572
	21F10672	Strip, seal retaining, inboard	1	L72		JB10/573
	22F10672	Strip, seal retaining, outboard	1	L72		JB10/574
563	1F11807	DOOR, ENGINE ACCESS, OUTBOARD .. FORWARD, PORT, GROUP (Mod. 906)	1	—	A	JB10/575
530	1F10672	DOOR, ENGINE ACCESS, OUTBOARD .. FORWARD, PORT, GROUP (Pre-Mod. 906)	1	—	A	
564	2F11807	DOOR, ENGINE ACCESS, OUTBOARD .. FORWARD, STARBOARD, GROUP (Mod. 906)	1	—	A	JB10/576
531	2F10672	DOOR, ENGINE ACCESS, OUTBOARD .. FORWARD, STARBOARD, GROUP (Pre-Mod. 906)	—	—	A	
		Spares for:—				
	79F8653	Bolt, special	3	S96	MR	JB10/577
	123F10673	Block, pin, retaining	5P 4S	BS2572	MR	JB10/578
	124F10673	Block, pin, retaining	4P 5S	BS2572	MR	JB10/579
	39F10672	Block, securing	1	S1		
	92F10673	Bracket, hinge	5P 4S	S96		JB10/580
	94F10673	Bracket, hinge	1S	S96		

FUSELAGE
CENTRE PORTION

Ref. No.	Part No.	Description				No. off	Matl. Spec.	Cl. of St.	Plate and Illust'n No.
		1	2	3	4			M.R.	
		DOORS, ENGINE ACCESS, OUTBOARD FORWARD (1 & 2F11807) (Cont'd)							
	136F10673				Dish, starboard	1	L59	MR	JB10/582
	1F11367				DOOR, ACCESS, OIL TANK CONTENTS GAUGE, GROUP	1	—	MR	JB10/583
	AS3170				Spares for:— Door, access	1	—	MR	
	108F8654				Drain, assy.	1	—		JB10/584
	1F11538				DUCT, VANE 7 DE-ICING, PORT,	1	—		JB10/585
	2F11538				DUCT, VANE 7 DE-ICING, STARBOARD GROUP	1	—		JB10/586
	6F11538				Spares for:— Ring, retaining	1	S521	MR	JB10/587
	5F11538				Seal, garter	1	Asbestos	MR	JB10/588
	54F10673				FAIRING, STARBOARD, GROUP	1	—		JB10/589
6443	3F9206				HANDLE, AT STATION 68.42", PORT AND STARBOARD, GROUP	1	—	B	JB10/590
7392	10F9206				Spares for:— CATCH, GROUP	1	—	C	
	11F8053				Pin	2	S96	MR	
	9F8053				Spring	1	—	MR	
26FP/13043	1SS3259				Plate, Mod.	1	L59	C	
26FP/13044	1SS3260				Plate, serial	1	L59	C	
	95F8656				Ring, stiffener	1	L59	MR	JB10/591
	14F10673				Seal, "P", rear (Made from 1SS4615, Ref. 26DC/7499) (Pre-Mod. 2280)	1	DTD5509		JB10/592
	137F10673				Seal, "P", rear (Mod. 2280) (Made from 1SS5825, Ref. 26DC/1510283)	1	—		
	51F10673				Seal, "P", outboard (Pre-Mod. 2280) (Made from 1SS4488, Ref. 26DC/7738)	1	DTD5509		JB10/593
	138F10673				Seal, "P", outboard (Mod. 2280) (Made from 1SS5823, Ref. 26DC/1510281)	1	—		
	52F10673				Seal, "P", inboard (Pre Mod. 2280) (Made from 1SS4488, Ref. 26DC/7738)	1	DTD5509		JB10/594
	139F10673				Seal, "P", inboard (Mod. 2280) (Made from 1SS5823, Ref. 26DC/1510281)	1	—		
	129F10673				SPIGOT, AFT, GROUP	1	—		JB10/595
	134F10673				SPIGOT, FORWARD, GROUP	1	—		JB10/596
	135F10673				SPIGOT, CENTRE, GROUP	1	—		JB10/597
11219	66F8653				Spring, ring, for bolts	3	—	MR	JB10/598
	15F10673				Strip, seal retaining, rear, port	1	L72	C	JB10/599
	16F10673				Strip, seal retaining, rear, starboard	1	L72		JB10/600
	44F10673				Strip, seal retaining, inboard	1	L72		JB10/601
	45F10673				Strip, seal retaining, outboard	1	L72		JB10/602

FUSELAGE
CENTRE PORTION

Ref. No.	Part No.	Description	No. off	Matl. Spec.	Cl. of St.	Plate and Illust'n No.	
					M.R.		
		1	2	3	4		
DOORS, ENGINE ACCESS, PORT AND STARBOARD (1 & 2F10671) (Cont'd.)							
575	178F10674	DOOR, ENGINE ACCESS, INBOARD CENTRE, PORT, GROUP (Mod. 1320)	1	—	A	JB11/603	
576	179F10674	DOOR, ENGINE ACCESS, INBOARD CENTRE, STARBOARD, GROUP (Mod. 1320)	1	—	A	JB11/604	
Spares for:—							
8641	79F8653	Bolt, special	3	S96	MR	JB12/605	
	12F9367	Bolt, eye	1	S96	C	JB12/606	
8642	9F10910	Block, at handle	2	BSS2572		JB12/607	
	109F7843	Block, interference, hinge pin	5	Tufnol		JB11/608	
	14F9367	Bracket, eyebolt	1	L65	C	JB12/609	
	119F10674	Bracket, hinge, forward and aft, port	2	S96		JB11/610	
	120F10674	Bracket, hinge, forward and aft, starboard	2	S96		JB11/611	
	121F10674	Bracket, hinge, intermediate forward, and intermediate aft, port	2	S96		JB11/612	
	122F10674	Bracket, hinge, intermediate forward and intermediate aft, starboard	2	S96		JB11/613	
	123F10674	Bracket, hinge, centre, port	1	S96		JB11/614	
	124F10674	Bracket, hinge, centre, starboard	1	S96		JB11/615	
	10F9420	Bracket, ground strut stowage	1	DTD364B	MR	JB12/616	
	21F10674	Channel, outboard edge, port	1	L72	MR	JB11/617	
	22F10674	Channel, outboard edge, starboard	1	L72		JB11/618	
	1SS5824	Cap, end, for seals (Mod. 2280)	32	—	MR		
DOORS, FIRE ACCESS, PORT AND STARBOARD (1F10954)							
Spares for:—							
	2F10954	DOOR, HALF, ACCESS, GROUP	1	—	MR	JB12/619	
	3F10954	DOOR, HALF, ACCESS, GROUP	1	—	MR	JB12/620	
	6F10954	HINGE, GROUP	1	—		JB12/621	
Spares for:—							
1510775	14hE1181	Spring	1	—	C		
	1F10899	DUCT, COMBINED COOLING INTAKE AND OUTLET, PORT, GROUP	1	—	MR	JB11/622	
	2F10899	DUCT, COMBINED COOLING INTAKE AND OUTLET, STARBOARD, GROUP	1	—	MR	JB11/623	
	3F10900	DUCT, COOLING, ZONE 2B AND 3, PORT, GROUP	1	—		JB11/624	
	4F10900	DUCT, COOLING, ZONE 2B AND 3, STARBOARD, GROUP	1	—		JB11/625	
	64F10674	DUCT, COOLING, ZONE 2A, STARBOARD, GROUP	1	—	MR	JB12/626	
	127F10675	DUCT, COOLING, ZONE 2A, PORT, GROUP	1	—		JB12/627	

FUSELAGE
CENTRE PORTION

Ref. No.	Part No.	Description	No. off	Matl. Spec.	Cl. of St.	Plate and Illust'n No.
					M.R.	
		1 2 3 4				
		DOOR, ENGINE ACCESS, INBOARD CENTRE (178 & 179F10674) (Cont'd.)				
	171F10675	DUCT, ALTERNATOR COOLING OUTLET, PORT, GROUP	1	—		JB12/628
	172F10675	DUCT, ALTERNATOR COOLING OUTLET, STARBOARD, GROUP	1	—		JB12/629
	45F10675	Spares for:— Ring, seal retaining, port	1	S521		JB12/630
	46F10675	Ring, seal retaining, starboard	1	S521		JB12/631
	158F10675	Seal	1	Asbestos	MR	JB12/632
	167F10675	DUCT, OIL COOLER AND LABYRINTH BREATHER OUTLET, PORT, GROUP	1	—		JB12/633
	168F10675	DUCT, OIL COOLER AND LABYRINTH BREATHER OUTLET, STARBOARD, GROUP	1	—		JB12/634
	61F10675	Spares for:— Ring, seal retaining		S521		JB12/635
	159F10675	Seal		Asbestos	MR	JB12/636
		DUCT, EXHAUST AND STARTER DRAIN, PORT AND STARBOARD (173 & 174F10674)	1			
	171F10674	Spares for:— DUCT, OUTLET, PORT, GROUP	1	—	MR	JB12/637
	172F10674	DUCT, OUTLET, STARBOARD, GROUP	1	—	MR	JB12/638
	169F10674	DRAIN, PORT, GROUP	1	—	MR	JB11/639
	170F10674	DRAIN, STARBOARD, GROUP	1	—	MR	JB11/640
5K/1058168	SP40/A14	Grommet	1	Rubber	C	
	305F10675	Ring, seal retaining	1	S521	MR	JB12/641
	307F10675	Seal	1	—	MR	JB12/642
	3F12897	Funnel, injector (Mod. 2246)	1	L72	MR	
	1F10910	HANDLE, FORWARD, PORT AND STARBOARD, GROUP	1	—	MR	JB12/643
	3F10910	HANDLE, AFT, PORT, GROUP	1	—		JB12/644
	7F10910	HANDLE, AFT, STARBOARD, GROUP	1	—	MR	
7392	10F9206	Spares for:— CATCH, GROUP	1	—	C	JB12/645
	11F8053	Pin	1	S96	MR	JB12/646
	9F8053	Spring	1	—	MR	JB12/647
12156	10F10910	Stop	1	—	C	JB12/648
	107F10674	Member, aft edge, port	1	L72	MR	JB11/649
	108F10674	Member, aft edge, starboard	1	L72		JB11/650
	111F10676	Plate, locating (Mod. 729)	2	DTD124A		JB11/651

VULCAN Mk. 2

FUSELAGE
CENTRE PORTION

Page JB. 41

Ref. No.	Part No.	Description	No. off	Matl. Spec.	Cl. of St.	Plate and Illust'n No.		
					M.R.			
		1 2 3 4						
		DOOR, ENGINE ACCESS, INBOARD CENTRE (178 & 179F10674) (Cont'd)						
26FP/14845	AS2917	Plate, mod.	1	—	MR C	JB11/652		
	AS2916	Plate, serial	1	—				
	45F10674	Seal, "P", inboard (Pre-Mod. 2280) (Make from 1SS4488, Ref. 26DC/7738)	1	DTD5509				
	221F10674	Seal, "P", inboard (Mod. 2280) (Make from 1SS5823, Ref. 26DC/1510281)	1	—				
	44F10674	Seal, "P", outboard (Pre-Mod. 2280) (Make from 1SS4488, Ref. 26DC/7738)	1	DTD5509				
	220F10674	Seal, "P", outboard (Mod. 2280) (Make from 1SS5823, Ref. 26DC/1510281)	1	—				
	222F10674	Seal, "P", (Mod. 2280) (Make from 1SS5823, Ref. 26DC/1510281)	1	—				
	223F10674	Seal, "P", (Mod. 2280) (Make from 1SS5823, Ref. 26DC/1510281)	1	—				
	65F10674	Seal, fire access door	1	—	MR		JB12/654	
			SEALING, AFT BULKHEAD, PORT AND STARBOARD (1 & 2F10922)					
			Spares for:—					
		7F10922	Seal, port, 5" long	1	DTD5509			
		9F10922	Seal, port, 4-3/4" long	1	DTD5509			
		15F10922	Seal, starboard, 4-1/4" long	1	DTD5509			
	19F10922	Seal, starboard, 6" long	1	DTD5509				
		(Note:—Seals made from 1SS4488, Ref. 26DC/7738)						
	13F10674	Skin, inner, forward, port	1	AVR50	MR	JB11/655		
	14F10674	Skin, inner, forward, starboard	1	AVR50		JB11/656		
	157F10674	Spigot, forward, port	1	—		JB11/657		
	158F10674	Spigot, forward, starboard	1	—		JB11/658		
	159F10674	Spigot, centre, port	1	—		JB11/659		
	160F10674	Spigot, centre, starboard	1	—		JB11/660		
	161F10674	Spigot, aft, port	1	—		JB11/661		
	162F10674	Spigot, aft, starboard	1	—		JB11/662		
	66F8653	Spring, ring, for bolts	3	—	MR	JB12/663		
	26F10674	Strip, seal, retaining, outboard	1	L72				
	27F10674	Strip, seal, retaining, inboard	1	L72				
		STRUT, GROUND SERVICING, PORT AND STARBOARD (1 & 2F10901)						
		Spares for:—						
	11F9420	Bolt, eye	2	L65	MR	JB12/664		
	10F9420	Bracket	1	DTD364B	MR	JB12/665		
8637	9F10901	STRUT, PORT, GROUP	1	—	B	JB11/666		
8638	10F10901	STRUT, STARBOARD, GROUP	1	—	B	JB11/667		
		Spares for:—						
	13F10901	CHAIN, 1/4" PIN, GROUP	1	—				
	14F10901	CHAIN, 5/16" PIN, GROUP	1	—				
		Spares for:—						
28FP/1243707	A405	Pin, pip, 1/4" dia.	1	—	C			
28FP/9485857	A506	Pin, pip, 5/16" dia.	1	—	C			

FUSELAGE
CENTRE PORTION

Ref. No.	Part No.	Description	No. off	Matl. Spec.	Cl. of	Plate and Illust'n No.
					St. M.R.	
		1 2 3 4				
		DOORS, ENGINE ACCESS, PORT AND STARBOARD (1 AND 2F10671) (Cont'd)				
573	314F 10675	DOOR, ENGINE ACCESS, OUTBOARD . . . CENTRE, PORT, GROUP (Mod. 1320)	1	—	A	JB11/668
574	315F 10675	DOOR, ENGINE ACCESS, OUTBOARD . . . CENTRE, STARBOARD, GROUP (Mod. 1320)	1	—	A	JB11/669
		Spares for:—				
	9F10910	Block, at handle	2	BSS2572		
	123F 10673	Block, pin retaining	4P	BSS2572	MR	JB11/670
			5S			
	124F 10673	Block, pin retaining	5P	BSS2572	MR	JB11/671
			4S			
	279F 10675	Block, pin retaining, port	1	BSS2572		JB11/672
	280F 10675	Block, pin retaining, starboard	1	BSS2572		JB11/673
2262	79F8653	Bolt, special	3	S96	C	JB12/674
8641	12F9367	Bolt, eye	1	S96	C	JB12/675
8642	14F9367	Bracket, eyebolt	1	L65	C	JB12/676
	250F 10675	Bracket, hinge, port	5	S96		JB11/677
	251F 10675	Bracket, hinge, starboard	5	S96		JB11/678
	10F9420	Bracket, strut stowage	1	DTD364B	MR	JB12/679
	1SS5824	Cap, end, for seals (Mod. 2280)	30	—	MR	
	195F 10675	Dishing, starboard	1	—		
		DOORS, FIRE ACCESS, PORT AND STARBOARD (1F10954) (For Spares—See Page JB.39)				
	3F10899	DUCT, COMBINED COOLING INTAKE AND OUTLET, PORT, GROUP	1	—	MR	JB11/680
	4F10899	DUCT, COMBINED COOLING INTAKE AND OUTLET, STARBOARD, GROUP	1	—	MR	JB11/681
	1F10900	DUCT, COOLING, ZONE 2B AND 3, PORT, GROUP	1	—		JB11/682
1510355	2F10900	DUCT, COOLING, ZONE 2B AND 3, STARBOARD, GROUP	1	—		JB11/683
	127F 10675	DUCT, COOLING, ZONE 2A, PORT, GROUP	1	—		JB12/684
	128F 10675	DUCT, FLANGE, ZONE 2A, STARBOARD, GROUP	1	—		JB12/685
	169F 10675	DUCT, ALTERNATOR COOLING OUTLET, PORT, GROUP	1	—		JB12/686
	170F 10675	DUCT, ALTERNATOR COOLING OUTLET, STARBOARD, GROUP	1	—		JB12/687
		Spares for:—				
	43F 10675	Ring, seal retaining, port	1	S521		JB12/688
	44F 10675	Ring, seal retaining, starboard	1	S521		JB12/689
	158F 10675	Seal	1	Asbestos	MR	JB12/690

FUSELAGE
CENTRE PORTION

Ref. No.	Part No.	Description	No. off	Mater. Spec.	Cl. of	Plate and Illust'n No.
					St. M.R.	
		1 2 3 4				
		DOOR, ENGINE ACCESS, OUTBOARD CENTRE (314 & 315F10675) (Cont'd)				
	165F10675	DUCT, OIL COOLER AND LABY- RINTH BREATHER OUTLET, PORT, GROUP	1	—		JB12/691
	166F10675	DUCT, OIL COOLER AND LABY- RINTH BREATHER OUTLET, STARBOARD, GROUP	1	—		JB12/692
	61F10675 159F10675	Spares for:— Ring, seal retaining	1	S521	MR	JB12/693
		Seal	1	Asbestos		JB12/694
		DUCT, EXHAUST AND STARTER DRAIN, PORT AND STARBOARD (309 & 310F10675)				
	311F10675	Spares for:— DUCT, OUTLET, PORT, GROUP	1	—	MR	JB12/695
	312F10675	DUCT, OUTLET, STARBOARD, GROUP	1	—	MR	JB12/696
	306F10675 308F10675	DRAIN, PORT, GROUP	1	—	MR	JB11/697
		DRAIN, STARBOARD, GROUP	1	—	MR	JB11/698
5K/1058168	SP40/A14 305F10675 307F10675	Grommet	1	Rubber	C	
		Ring, seal retaining	1	S521	MR	JB12/699
		Seal	1	Asbestos	MR	JB12/700
	3F12897	Funnel, injector (Mod. 2246)	1	L72	C	
	2F10910	HANDLE, FORWARD, PORT, GROUP	1	—		JB12/701
	6F10910	HANDLE, FORWARD, STARBOARD, GROUP	1	—		JB12/702
	4F10910 8F10910	HANDLE, AFT, PORT, GROUP	1	—		JB12/703
		HANDLE, AFT, STARBOARD	1	—		JB12/704
		GROUP				
		Spares for:—				
7392	10F9206	CATCH, GROUP	1	—	C	JB12/705
	11F8053	Pin	1	S96	MR	JB12/706
	9F8053	Spring	1	—	MR	JB12/707
12156	10F10910	Stop	1	—	C	JB12/708
	111F10676	Plate, locating (Mod. 729)	2	S514		
	AS2917	Plate, mod.	1	—	MR	
26FP/14845	AS2916	Plate, serial	1	—	C	
	2SS4775	Screw, for locating plates	8	—		JB11/709
	3SS4775	Screw, for spigots	12	—	MR	JB12/710
	65F10674	Seal, at fire access doors	1	DTD378A	MR	JB12/711
	65F10675	Seal, at labyrinth breather duct and inner skin joint	1	Bestobell	MR	JB12/712
	197F8657	Seal, "P", inboard (Mod. 488) (Made from 1SS4488, Ref. 26DC/7738)	1	DTD5509		JB11/713
	317F10675	Seal, "P", inboard (Mod. 2280) (Make from 1SS5823, Ref. No. 26DC/15102B1)	1	—		

FUSELAGE
CENTRE PORTION

Ref. No.	Part No.	Description	No. off	Mtrl. Spec.	Cl. of	Plate and Illust'n No.
					St. M.R.	
		1 2 3 4				
		DOOR, ENGINE ACCESS, OUTBOARD CENTRE (314 & 315F10675) (Cont'd)				
	198F8657	Seal, "P", outboard (Pre-Mod. 2280) (Made from 1SS4488, Ref. 26DC/7738)	1	DTD5509		JB11/714
	318F10675	Seal, "P", outboard (Mod. 2280) (Make from 1SS5823, Ref. No. 26DC/1510281)	1	—		
	146F10675	Seal, "P" (Pre-Mod. 2280) (Make from 1SS4488, Ref. No. 26DC/7738)	1	—		
	316F10675	Seal, "P" (Mod. 2280) (Make from 1SS5823, Ref. No. 26DC/1510281)	1	—		
		SEALING, AFT BULKHEAD, PORT AND STARBOARD (3 & 4F10922)				
		Spares for:—				
	27F10922	Seal, port, 3-1/4" long	1	DTD5509		
	29F10922	Seal, port, 4" long	1	DTD5509		
	7F10922	Seal, starboard, 5" long	1	DTD5509		
	39F10922	Seal, starboard, 4.3" long	1	DTD5509		
22842	46F10922	Seal, block	1	—		
	47F10922	Seal, block (Note:—Seals made from 1SS4488, Ref. 26DC/7738)	1	—	C	
	289F10675	Spigot, forward, port	1	—		JB11/715
	290F10675	Spigot, forward, starboard	1	—		JB11/716
	291F10675	Spigot, centre, port	1	—		JB11/717
	292F10675	Spigot, centre, starboard	1	—		JB11/718
	293F10675	Spigot, aft, port	1	—		JB11/719
	294F10675	Spigot, aft, starboard	1	—		JB11/720
	66F8653	Spring, ring, for bolts	3	—	MR	JB12/721
	26F10675	Strip, seal retaining, inboard	1	L72		
	27F10675	Strip, seal retaining, outboard	1	L72		
		STRUT, GROUND SERVICING, PORT AND STARBOARD (3 & 4F10901)				
		Spares for:—				
	11F9420	Bolt, eye	2	L65	MR	JB12/722
	10F9420	Bracket	1	DTD3643	MR	JB12/723
8639	11F10901	STRUT, PORT, GROUP	1	—	B	JB11/724
8640	12F10901	STRUT, STARBOARD, GROUP	1	—	B	JB11/725
		Spares for:—				
	13F10901	CHAIN, 1/4" PIN, GROUP	1	—		
	14F10901	CHAIN, 5/16" PIN, GROUP	1	—		
		Spares for:—				
28FP/1243707	A405	Pin, pip, 1/4" dia.	1	—	C	
28FP/9485857	A506	Pin, pip, 5/16" dia.	1	—	C	
577	117F10676	DOOR, ENGINE ACCESS, INBOARD REAR, PORT, GROUP (Mod. 1821)	1	—	A	JB13/726
578	118F10676	DOOR, ENGINE ACCESS, INBOARD REAR, STARBOARD, GROUP (Mod. 1821)	1	—	A	JB13/727
		Spares for:—				
	9F10910	Block, at handle	1	BSS2572		
	109F7843	Block, interference, hinge pin	5	Tufnol		JB13/728
28D/1213275	AS2923/1/28	Bolt, mush. head	2	—	C	

FUSELAGE
CENTRE PORTION

Ref. No.	Part No.	Description	No. off	Mati. Spec.	Cl. of St.	Plate and Illust'n No.	
					M.R.		
		1	2	3	4		
DOORS, ENGINE ACCESS, INBOARD REAR (117 & 118F10676) (Cont'd)							
	79F8653	Bolt, special	3	S96	MR	JB14/729	
	51F10676	Bracket, hinge, forward and rear, port	1	S96		JB13/730	
	52F10676	Bracket, hinge, forward and rear,	1	S96		JB13/731	
		starboard					
	53F10676	Bracket, hinge, intermediate forward,	1	S96		JB13/732	
		port					
	54F10676	Bracket, hinge, intermediate forward,	1	S96		JB13/733	
		starboard					
	55F10676	Bracket, hinge, centre and intermediate ..	1	S96		JB13/734	
		rear, port					
	56F10676	Bracket, hinge, centre and intermediate ..	1	S96		JB13/735	
		rear, starboard					
28E/9712163 28E/20104	1SS5824	Cap, end, for seals (Mod. 2280)	28	—	MR		
	SP91/C	Clip, hose, aft joint	2	—	C		
	SP91/F	Clip, hose, forward joint	2	—	C		
	38F/10677	CLIP, HALF, FORWARD, GROUP	1	—		JB14/736	
	39F/10677	CLIP, HALF, AFT, GROUP	1	—		JB14/737	
	40F/10677	CLIP, HALF, FORWARD AND AFT,	2	—		JB14/738	
		GROUP					
COOLING, INSTALLATION, FOR ON/OFF VALVE, PORT AND STARBOARD (3 & 4F11976)							
Spares for:—							
1510699	16F11976	Member, attachment, port	1	—	MR	JB13/739	
	17F11976	Member, attachment, starboard	1	—	MR	JB13/740	
	6F11976	Scoop, port (Pre-Mod. 1995)	1	L59	MR	JB13/741	
	19F11976	Scoop, port (Mod. 1995)	1	DTD514			
	7F11976	Scoop, starboard (Pre-Mod. 1995)	1	L59	MR	JB13/742	
	20F11976	Scoop, starboard (Mod. 1995)	1	DTD514	C		
	13F11976	Tube, assembly, port	1	—	MR	JB13/743	
	14F11976	Tube, assembly, starboard	1	—	MR	JB13/744	
		36F10677	Cover, at aft pipe joint	1	S521		JB14/745
		122F10677	Cover, at forward pipe joint	1	DTD712		JB14/746
(Note:—Cover 122F10677 is used with Hose BAS/16/2/E/8/2-1/2)							
DOORS FIRE ACCESS, PORT AND STARBOARD (1F10954) (For Spares—See Page JB.39)							
	17F10233	Extractor, at drain outlet	1	—		JB14/48	
8791 1510344	8F9206	HANDLE, REAR, PORT, GROUP	1	—	B	JB14/749	
	15F9206	HANDLE, REAR, STARBOARD,	1	—		JB14/750	
		GROUP					
7392	10F9206	Spares for:— CATCH, GROUP	1	—	C	JB14/751	
	11F8053	Pin	1	S96	MR	JB14/752	
	9F8053	Spring	1	—	MR	JB14/753	

FUSELAGE
CENTRE PORTION

Ref. No.	Part No.	Description	No. off	Mati. Spec.	Cl. of St.	Plate and Illust'n No.
					M.R.	
		1 2 3 4				
		DOORS, ENGINE ACCESS, INBOARD REAR (117 & 118F10676) (Cont'd)				
	34F10677 or BAS/16/2/E/8/2½ 141F8654 or BAS/16/2/E/8/2½ AEROTIGHT 23160	Hose, forward pipe joint	1	—		JB14/754
		Hose, aft pipe joint	1	—		JB14/755
		Nut, clinch, at forward drain	2	—		
	35F10677	PIPE, AFT DRAIN, GROUP	1	—		JB14/756
	37F10677	Pipe, drain, 1/2" o/d x 22G x 50" long approx.	1	T58		JB13/757
26FP/14845	111F10676	Plate, locating (Mod. 729)	2	DTD124A	MR C	
	AS2917	Plate, mod.	1	—		
	AS2916	Plate, serial	1	—		
	2SS4775	Screw, for locating plates	8	—		
	3SS4775	Screw, for spigots	12	—		
	65F10674	Seal, at fire at access doors	1	DTD378A	MR	JB14/758
	219F8655	Seal, outboard (Pre-Mod. 2280) (Made from 1SS4488, Ref. 26DC/7738)	1	DTD5509		
	123F10676	Seal, outboard (Mod. 2280) (Made from .. 1SS5823, Ref. 26DC/1510281)	1	—		JB13/759
	220F8655	Seal, inboard (Pre Mod. 2280) (Made from 1SS4488, Ref. 26DC/7738)	1	DTD5509		
	122F10676	Seal, inboard (Mod. 2280) (Made from 1SS5823, Ref. 26DC/1510281)	1	—		JB13/760
218F8655	Seal, forward (Pre-Mod. 2280) (Made from 1SS4488, Ref. 26DC/7738)	1	DTD5509			
121F10676	Seal, forward (Mod. 2280) (Made from 1SS5823, Ref. 26DC/1510281)	1	—		JB13/761	
1510461	113F10676	Spigot, forward assembly	1	—		JB13/762
	114F10676	Spigot, centre assembly	1	—		JB13/763
	115F10676	Spigot, aft assembly	1	—	C	JB13/764
	66F8653	Spring, ring, for bolts	3	—	MR	JB14/765
	165F8654	Strip, bonding, for hose joints	2	—		
	190F8655	Strip, seal retaining, port forward	1	L72		JB13/766
	191F8655	Strip, seal retaining, starboard, forward	1	L72		JB13/767
	192F8655	Strip, seal retaining, inboard	1	L72		JB13/768
	193F8655	Strip, seal retaining, outboard	1	L72		JB13/769
	7537	1F10750	TANK, FUEL DRAIN, FORWARD, GROUP	1	—	A
	6F10750	Spares for:— BANJO, GROUP	1	—		JB14/771
	2F10750 AEROTIGHT 23160	LID, GROUP	1	—	MR	JB14/772
28D/1213275	AS2923/1/2B 14F9254	Nut, clinch	24	—		
		Screw	24	—	C	
		Seal, for lid	1	SB100	MR	JB14/773

FUSELAGE
CENTRE PORTION

Ref. No.	Part No.	Description	No. off	Matl. Spec.	Cl. of St.	Plate and Illust'n No.
					M.R.	
		1 2 3 4				
TANK, FUEL DRAIN, FORWARD (1F10750) (Cont'd)						
2036	6F8854	VALVE, GROUP	2	-	B	JB14/774
		Consisting of:-				
	6aF8854	Body	1	S1		
28M/1278189	AGS2001/B1	Nut	1	-	C	
2039	8F8854	PLUNGER, GROUP	1	-	C	JB14/775
2038	6dF8854	Seal, lower	1	E45 or E75	C	JB14/776
12365	6gF8854	Seal, upper	1	E45 or E75	C	JB14/777
2040	6bF8854	Spring	1	-	C	JB14/778
	6fF8854	Washer	1	S1		JB14/779
28W/9419401	SP10/B	Washer	1	-	C	
28W/1200073	SP23/B	Washer	1	-	C	
28F/9428453	AGS1186/B	Washer, sealing	6	-	C	
579	123F10677	DOOR, ENGINE ACCESS, OUTBOARD .. REAR, PORT, GROUP (Mod. 1821)	1	-	A	JB13/780
580	124F10677	DOOR, ENGINE ACCESS, OUTBOARD .. REAR, STARBOARD, GROUP (Mod. 1821)	1	-	A	JB13/781
		Spares for:-				
	1F10910	Block, at handle	1	BSS2572	MR	
	123F10673	Block, pin retaining	5	BSS2572	MR	JB14/782
	124F10673	Block, pin retaining	5	BSS2572	MR	JB14/783
28D/1213275	AS2923/1/2B	Bolt, mush. head	2	-	C	
	2SS4775	Bolt, for locating plates	8	-		
	3SS4775	Bolt, for spigots	12	-	MR	
	79F8653	Bolt, special	3	S96	MR	JB14/784
	69F10677	Bracket, hinge, forward, intermediate ... forward and rear, port	3	S96		JB13/785
	70F10677	Bracket, hinge, forward, intermediate ... forward and rear, starboard	3	S96		JB13/786
	71F10677	Bracket, hinge, centre and intermediate, .. rear, port	2	S96		JB13/787
	72F10677	Bracket, hinge, centre and intermediate .. rear, starboard	2	S96		JB13/788
	1SS5824	Cap, end, for seals (Mod. 2280)	32	-	MR	
	38F10677	CLIP, HALF, FORWARD, GROUP	1	-		JB14/789
	39F10677	CLIP, HALF, AFT, GROUP	1	-		JB14/790
	40F10677	CLIP, HALF, FORWARD AND AFT, ... GROUP	2	-		JB14/791
28E/9712163	SP91/C	Clip, hose, aft, joint	2	-	C	
28E/1983164	SP91/E	Clip, hose, forward, joint	2	-	C	
	or					
28E/20104	SP91/F	Clip, hose, forward, joint	2	-	C	
	or					
28E/9712165	SP91/G	Clip, hose, forward, joint	2	-	C	

FUSELAGE
CENTRE PORTION

Ref. No.	Part No.	Description	No. off	Matl. Spec.	Cl. of	Plate and Illust'n No.
					St. M.R.	
		1 2 3 4				
		DOORS, ENGINE ACCESS, OUTBOARD REAR, 123 & 124F10677 (Cont'd)				
		COOLING INSTALLATION FOR ON/OFF VALVE, PORT AND STARBOARD (1 & 2F11976)				
		Spares for:—				
	15F11976	Member, attachment, port	1	—	MR	JB13/792
	16F11976	Member, attachment, starboard	1	—	MR	JB13/793
	8F11976	Plate, reinforcing, port	1	L72	MR	
	9F11976	Plate, reinforcing, starboard	1	L72	MR	
	5F11976	Scoop, port (Pre-Mod. 1995)	1	L59	MR	
	18F11976	Scoop, port (Mod. 1995)	1	DTD514		JB13/794
	6F11976	Scoop, starboard (Pre-Mod. 1995)	1	L59	MR	
	19F11976	Scoop, starboard (Mod. 1995)	1	DTD514		JB13/795
	12F11976	Tube, assy., port	1	—	MR	JB13/796
	13F11976	Tube, assy., starboard	1	—	MR	JB13/797
	36F10677	Cover, at aft pipe joint	1	S521	—	JB14/798
	122F10677	Cover, at forward pipe joint	1	DTD712		JB14/799
		(Note:—Cover 122F10677 is used with hose BAS/10/2/E/8/2-1/2)				
		DOORS, FIRE ACCESS, PORT AND ... STARBOARD (1F10954) (For Spares:—See Page JB. 39)	—	—		JB14/800
	17F10233	Extractor, at drain outlet	1	—		JB14/801
	9F9206	HANDLE, PORT, GROUP	1	—		JB14/802
	16F9206	HANDLE, STARBOARD, GROUP	1	—	MR	JB14/803
		Spares for:—				
7392	10F9206	CATCH, GROUP	1	—	C	
	11F8053	Pin	1	S96	MR	JB14/805
	9F8053	Spring	1	—	MR	JB14/806
	34F10677 or BAS/16/2/E/8/ 2-1/2	Hose, forward pipe joint	1	—		JB14/807
	141F10677 or BAS/16/2/E/8/ 2-1/2	Hose, aft pipe joint	1	—		JB14/808
	AEROTIGHT 23160	Nut, clinch, at forward drain	2	—		
	35F10677	PIPE, AFT DRAIN, GROUP	1	—		JB14/809
	37F10677	Pipe, drain, 1/2" o/d x 22G x 50" long, approx.	1	T58		JB13/810
	111F10676	Plate, locating	2	S514		
	AS2917	Plate, mod.	1	—	MR	
26FP/14845	AS2916	Plate, serial	1	—	C	

VULCAN Mk. 2

FUSELAGE
CENTRE SECTION

Page JB. 48A

Ref. No.	Part No.	Description				No. off	Matl. Spec.	Cl. of St.	Plate and Illust'n No.
		1	2	3	4			M.R.	
		DOORS ENGINE ACCESS OUTBOARD REAR, 123 & 124F10677 (Contd.)							
	65F10674				Seal, at fire access doors	1	DTD378A	MR	JB14/811
	213F8658				Seal, inboard port (Pre-Mod. 2280)	1	DTD5509		
					(Make from 1SS4488 Ref. 26DC/7738)				
	126F10677				Seal, inboard port (Mod. 2280)	1	—		JB13/812
					(Make from 1SS5823 Ref. 26DC/151028)				
	214F8658				Seal, inboard starboard (Pre-Mod. 2280) .	1	DTD5509		
					(Make from 1SS4488 Ref. 26DC/7738)				
	127F10677				Seal, inboard starboard (Mod. 2280)	1	—		JB13/813
					(Make from 1SS5823 Ref. 26DC/1510281)				
	216F8658				Seal, outboard port (Pre-Mod. 2280)	1	DTD5509		
					(Make from 1SS4488 Ref. 26DC/7738)				
	128F10677				Seal, outboard port (Mod. 2280)	1	—		JB13/814
					(Make from 1SS5823 Ref. 26DC/1510281)				
	217F8658				Seal, outboard, starboard (Pre-Mod. 2280)	1			
					(Make from 1SS4488 Ref. 26DC/7738)				
	129F10677				Seal, outboard port (Mod. 2280)	1	—		JB13/815
					(Make from 1SS5823 Ref. 26DC/1510281)				
	215F8658				Seal, forward (Pre-Mod. 2280)	1	DTD5509		
					(Make from 1SS4488 Ref. 26DC/7738)				
	125F10677				Seal, forward (Mod. 2280)	1	—		JB13/816
					(Make from 1SS5823 Ref. 26DC/1510281)				

FUSELAGE
CENTRE PORTION

Ref. No.	Part No.	Description				No. off	Mati. Spec.	Cl. of St.	Plate and Illust'n No.
		1	2	3	4			M.R.	
		DOORS ENGINE ACCESS, OUTBOARD (123 & 124F10677) (Contd.)							
	119F 10677					1	—		JB13/817
	120F 10677					1	—		JB13/818
	121F 10677					1	—		JB13/819
	66F8653					3	—	MR	JB14/820
	165F 10677					2	—		
	189F8658					1	L72		JB13/821
	190F8658					1	L72		JB13/822
	191F8658					1	L72		JB13/823
	192F8658					1	L72		JB13/824
7537	1F10750					1	—	A	JB14/825
		TANK FUEL DRAIN, FORWARD, GROUP (For Spares—See Pages JB. 46 and JB. 47)							
	77F 10671					15	S99	MR	JB10/826
	78F 10671					15	S99	MR	JB10/827
		PLATES, SPIGOT ON RIB 113.3 PORT AND STARBOARD				—	—		
		Spares for:—							
	96F 10671					1	—		
		PLATE, SPIGOT, INTERMEDIATE FORWARD, FORWARD DOORS, PORT, GROUP							
	97F 10671					1	—		
		PLATE, SPIGOT, INTERMEDIATE FORWARD, FORWARD DOORS, PORT, GROUP							
	98F 10671					1	—		
		PLATE, SPIGOT, INTERMEDIATE AFT, FORWARD DOORS, PORT, GROUP							
	99F 10671					1	—		
		PLATE, SPIGOT INTERMEDIATE AFT, FORWARD DOORS, STARBOARD, GROUP							
	100F 10671					1	—		
		PLATE, SPIGOT, INTERMEDIATE FORWARD CENTRE DOORS, PORT, GROUP							
	101F 10671					1	—		
		PLATE, SPIGOT, INTERMEDIATE FORWARD, CENTRE DOORS, STARBOARD, GROUP							

FUSELAGE
CENTRE PORTION

Ref. No.	Part No.	Description	No. off	Matl. Spec.	Cl. of	Plate and Illust'n No.
					St. M.R.	
		1 2 3 4				
		PLATES, SPIGOT, ON RIB 113.3, PORT AND STARBOARD (Cont'd)				
	102F10671	PLATE, SPIGOT, INTERMEDIATE AFT, CENTRE DOORS, PORT, GROUP	1	—		
	103F10671	PLATE, SPIGOT, INTERMEDIATE AFT, CENTRE DOORS, STARBOARD, GROUP	1	—		
	104F10671	PLATE, SPIGOT, INTERMEDIATE FORWARD, REAR DOORS, PORT, GROUP	1	—		
	105F10671	PLATE, SPIGOT, INTERMEDIATE FORWARD, REAR DOORS, STARBOARD, GROUP	1	—		
	106F10671	PLATE, SPIGOT, INTERMEDIATE AFT, REAR DOORS, PORT, GROUP	1	—		
	107F10671	PLATE, SPIGOT, INTERMEDIATE AFT, REAR DOORS, STARBOARD, GROUP	1	—		
		Spares for:—				
	114F10671	Plate, for items (106 & 107F10671) ..	1	S99		
	115F10671	Plate, for items (104 & 105F10671) ..	1	S99		
	116F10671	Plate, for items (100, 101, 102 & 103F10671)	1	S99		
	117F10671	Plate, for items (98 & 99F10671)	1	S99		
	118F10671	Plate, for items (96 & 97F10671)	1	S99		
	94F10671	Spigot	2	S96		
		Attachments—spigot (94F10671)				
	A27/ET	Nut, thin, 1/4" BSF	1	—	C	
28M/1007403	95F10671	Washer, special	1	S510		
		TRUNNIONS, ON RIB 113.3, PORT AND STARBOARD				
		Spares for:—				
	13F10671	TRUNNION, FORWARD, AT FORWARD DOORS, PORT, GROUP	1	—		
	14F10671	TRUNNION, FORWARD, AT FORWARD DOORS, STARBOARD, GROUP	1	—		
	17F10671	TRUNNION, CENTRE, AT FORWARD . DOORS, PORT, GROUP	1	—		
	18F10671	TRUNNION, CENTRE, AT FORWARD . DOORS, STARBOARD, GROUP	1	—		
	21F10671	TRUNNION, AFT, AT FORWARD DOORS, PORT, GROUP	1	—		
	22F10671	TRUNNION, AFT, AT FORWARD DOORS, STARBOARD, GROUP	1	—		
	23F10671	TRUNNION, FORWARD, AT CENTRE . DOORS, PORT, GROUP	1	—		
	24F10671	TRUNNION, FORWARD, AT CENTRE . DOORS, STARBOARD, GROUP	1	—		

FUSELAGE
CENTRE PORTION

Ref. No.	Part No.	Description	No. off	Matl. Spec.	Cl. of St.	Plate and Illust'n No.
					M.R.	
		1 2 3 4				
		TRUNNIONS, ON RIB 113.3, PORT AND STARBOARD (Cont'd)				
	27F 10671	TRUNNION, CENTRE, AT CENTRE . . .	1	—		
	28F 10671	DOORS, PORT, GROUP				
	31F 10671	TRUNNION, CENTRE, AT CENTRE . . .	1	—		
	31F 10671	DOORS, STARBOARD, GROUP				
1433768	32F 10671	TRUNNION, AFT, AT CENTRE	1	—		
	32F 10671	DOORS, PORT, GROUP			C	
	33F 10671	TRUNNION, AFT, AT CENTRE	1	—		
	33F 10671	DOORS, STARBOARD, GROUP				
	33F 10671	TRUNNION, FORWARD, AT REAR . . .	1	—		
	34F 10671	DOORS, PORT, GROUP				
	34F 10671	TRUNNION, FORWARD, AT REAR . . .	1	—		
	34F 10671	DOORS, STARBOARD, GROUP				
	37F 10671	TRUNNION, CENTRE, AT REAR	1	—		
	37F 10671	DOORS, PORT, GROUP				
	38F 10671	TRUNNION, CENTRE, AT REAR	1	—		
	38F 10671	DOORS, STARBOARD, GROUP				
	41F 10671	TRUNNION, AFT, AT REAR DOORS, .	1	—		
	41F 10671	PORT, GROUP				
	42F 10671	TRUNNION, AFT, AT REAR DOORS, .	1	—		
	42F 10671	STARBOARD, GROUP				
		Spares for:—				
	79F 10671	Plate for item (13F10671)	1	S96		
	80F 10671	Plate, for item (17F10671)	1	S96		
	81F 10671	Plate, for item (21F10671)	1	S96		
	82F 10671	Plate, for items (23—27 & 31F10671) .	1	S96		
	83F 10671	Plate for items (33—37 & 41F10671) .	1	S96		
	84F 10671	Plate, for item (14F10671)	1	S96		
	84F 10671	Plate, for item (18F10671)	1	S96		
	86F 10671	Plate, for items (22F10671)	1	S96		
	87F 10671	Plate, for items (24—28 & 32F10671) .	1	S96		
	88F 10671	Plate, for items (34—38 & 42F10671) .	1	S96		
	88F 10671	Plate for items (34—38 & 42F10671) .	1	S96		
6423	49F8651	TRUNNION, GROUP	1	—	B	
		Spares for:—				
	49bF8651	Block	1	DTD364B		
	49cF8651	Plate, retaining	1	L72	C	
2263	49d8651	Spring	1	—	C	
	49aF8651	Trunnion	1	S93		
		DOORS, NOSEWHEEL AND JACK (2D9456)				
		Spares for:—				
	2D8830	Bolt, shoulder, for jack attachment to	2	S96	MR	JB15/828
		former				
538	84D9455	DOOR, NOSEWHEEL, PORT, GROUP	1	—	A	JB15/829
539	85D9455	DOOR, NOSEWHEEL, STARBOARD,	1	—	A	JB15/830
		GROUP				
		Spares for:—				
	42D9455	Bolt, shouldered 1/4" dia. at rods and	4	S96	MR	JB15/831
		levers				

FUSELAGE
CENTRE PORTION

Ref. No.	Part No.	Description	No. off	Mati. Spec.	Cl. of St.	Plate and Illust'n No.
					M.R.	
		1 2 3 4				
		DOOR, NOSEWHEEL, PORT AND STARBOARD (84 & 85D9455) (Cont'd)				
	51D8820	Bolt, shouldered, 1/2" dia. for hook latch, forward	1	S96	MR	JB15/832
	53D8820	Bolt, shouldered, 3/8" dia. for levers (70D9455)	2	S96	MR	JB15/833
	78D8820	Bolt, shouldered, 5/8" dia. for jack attachment to door	1	S96	MR	JB15/834
	84D8820	Bolt, shouldered, 1/4" dia. rod end to hook latch	2	S96	MR	JB15/835
	95D8820	Bolt, shouldered, 1/4" dia. rod to lever (86D9455)	1	S96	MR	JB15/836
	101D9455	Bolt, shouldered, 1/2" o/d, for hook latch, aft	1	S94		JB15/837
	123D8820	Bolt, shouldered, 1/4" dia. for hinges	4	S96	MR	JB15/838
9436	2D11123	Cover, air outlet, on port door	1	L72	C	JB15/839
	12T5151	Cover, for aerial type 4169, at starboard door (Mod. 1631)	1	L72		JB15/840
	46SS3221	Door, inspection	4P 2S	L72	MR	JB15/841
	36D9455	FAIRLEAD, FOR CONTROL ROD, GROUP	4	—		JB15/842
	36aD9455	Spares for:— Fairlead, half	8	BSS972		
	11T5151	Fairlead, on starboard door (Mod. 1631)	1	BS2572		JB15/843
	29D9455	Hinge, half, outboard forward	1	DTD683	MR	JB15/844
	26D9455	HINGE, HALF, INBOARD AT STATION 145.5", GROUP	1	—	MR	JB15/845
	27D9455	HINGE, HALF, INBOARD AT STATIONS 115.5", 130.0", 160.5" AND 189.5", GROUP	4	—	MR	JB15/846
	28D9455	HINGE, HALF, INBOARD, AT STATION 86.5", GROUP	1	—	MR	JB15/847
17944	10SS5880	Spares for:— Plate, securing	2	—	C	
2A/9500410	HOFFMAN CS1	Race, ball	2	—	C	JB15/848
	100D8820	HOOK, LATCH, AFT, GROUP	1	—	MR	JB15/849
	142D8820	HOOK, LATCH, FORWARD, GROUP Spares for:—	1	—	MR	JB15/850
	MANG.B & B CT51	Bush, 1-1/4" long (oilite)	1	—		JB15/851
	62D8820	Housing, latch hook, port	1	DTD721		
	63D8820	Housing, latch hook, starboard	1	DTD721		
	71D8820	Housing, lever, port aft, starboard forward	1	DTD721		
	72D8820	Housing, lever, starboard, aft, port forward	1	DTD721		

FUSELAGE
CENTRE PORTION

Ref. No.	Part No.	Description	No. off	Matl. Spec.	Cl. of	Plate and Illust'n No.
					St. M.R.	
		1 2 3 4				
		DOOR, NOSEWHEEL, PORT AND STARBOARD (84 & 85D9455) (Cont'd)				
	4V6101	LEVER, MICROSWITCH, GROUP	1	—	MR	JB15/852
	70D8820	LEVER, INBOARD, FOR CONTROL .. RODS, GROUP Spares for:—	2	—	MR	JB15/853
	MAN.B & B CT.4	Bush, 1" long (Oilite)	2	—		JB15/854
	86D9455	LEVER, OUTBOARD, AT JACK AND .. RODS, GROUP Spares for:—	1	—	MR	JB15/855
	61bD9455	Bush	1	S1	MR	JB15/856
		(Note:—Lever (68D9455) may be used as an alternative to item (86D9455)				
		OUTLET, AIR, AT PORT DOOR				
		(8D9343) Spares for:—				
	5D9343	DUCT, OUTLET, GROUP	1	—		JB15/857
	92D9455	Pad, buffer, 2.5" x 5.63" x 6"	1	BS2572		
		PLATES, CATCH, AT BULKHEAD 75" (120D8820, STARBOARD) (121D8820, PORT) Spares for:—				
	64cD8820	Bolt, shouldered, 1/4" dia.	1	S96		JB23/858
	64bD8820	Roller	1	S96		JB23/859
		PLATES, CATCH, AT BULKHEAD 204" (133D8820, PORT) (134D8820, STARBOARD) Spares for:—				
	64cD8820	Bolt, shouldered, 1/4" dia.	1	S96		JB23/860
	64bD8820	Roller	1	S96		JB23/861
26FP/13043	1SS3259	Plate, mod.	1	—	C	
26FP/13044	1SS3260	Plate, serial	1	—	C	
	67D9455	Plate, side, at jack and lever	2	L72	MR	JB15/862
	44D9455	ROD, BETWEEN LEVERS, CENTRE, .. GROUP	2	—	MR	JB15/863
	69D9455	ROD, FORWARD, GROUP	1	—	MR	JB15/864
	70D9455	ROD, AFT, GROUP	1	—	MR	JB15/865
		Spares for:—				
	38cD9455	Nut, lock, L.H. (Made from A27/GTL)	1	—		
	38dD9455	Nut, lock, R.H. (Made from A27/GT)	1	—		
28U/4056	SP8/Y6	Turnbuckle	1	—	C	
	104D8820	Rod, end, forward	1	DTD364B	MR	JB15/866
	105D8820	Rod, end, aft	1	DTD364B	MR	JB15/867

FUSELAGE
CENTRE PORTION

Ref. No.	Part No.	Description	No. off	Mati. Spec.	Cl. of St.	Plate and Illust'n No.
					M.R.	
		1 2 3 4				
		DOOR, NOSEWHEEL, PORT AND STARBOARD (84 & 85D9455) (Cont'd)				
	110D9455	Scal, centre, on starboard door (Mod. 748)	1	DTD552		JB15/868
	102D8820	Spring, for rods	2	—	MR	JB15/869
	117D9455	Strip, seal retaining (Mod. 748)	1	L72		JB15/870
	77D8820	Tube, distance, at lever (86D9455)	1	DTD364B		JB15/871
	96D8820	Tube, distance at rods to lever	1	DTD464A		JB15/872
8783	88D8820	Tube, distance, at jack	2	DTD364B	C	JB15/873
	63D9455	Washer, distance, at hinge	2	S1	MR	JB15/874
	DOWTY					
27QM/70921	1.01300.002	Unit, jack, L.H. and R.H. (Mod. 1796) (Pre Mod. 2391)	2	—	A	JB15/875
27QM/1491085	1.01300.003	Unit, jack, L.H. and R.H. (Mod. 2391)	2	—	A	
		FIN, DORSAL (1H2618)				
		Spares for:—				
	4Z7634	CLIP, JOINT, FOR DUCTS, GROUP	2	—	MR	JB16/876
6118	61H2483	Cover, fibreglass	1	Y227	C	JB16/877
6251	1H2621	DIAPHRAGM, CAVITY, GROUP	1	—	C	JB16/878
	55H2483	Drain, assy., at air intake	2	—	MR	JB16/879
	1Z7012	DUCT, DE-ICING, INJECTOR TO FIN, AFT, GROUP	1	—	MR	JB16/880
	1Z7013	DUCT, DE-ICING, INJECTOR TO FIN, CENTRE, GROUP	1	—		JB16/881
	1Z7014	DUCT, DE-ICING, INJECTOR TO FIN, FORWARD, GROUP	1	—		JB16/882
	15Z7014	Spares for:— DUCT, DE-ICING, GROUP	1	—	MR	
		INTAKE, AIR, DORSAL FIN (57H2618)				
		Spares for:—				
8758	1H2765	DUCT, COLD AIR (Pre-Mod. 2063)	1	—	C	JB16/883
143671	1H2897	DUCT, COLD AIR (Mod. 2063)	1	—	B	
8832	1H2497	DUCT, ELBOW (Pre-Mod. 2063)	1	—	C	JB16/884
1432672	1H2898	DUCT, ELBOW (Mod. 2063)	1	—	B	
	1H2485	RIB, DORSAL FIN, 197.72", GROUP	1	—	MR	JB16/885
7395	1H2486	RIB, DORSAL FIN, 213.72", GROUP	1	—	C	JB16/886
	20H2569	SCOOP, AIR INTAKE, PORT, GROUP (Pre-Mod. 2063)	1	—	MR	JB16/887
	22H2569	SCOOP, AIR INTAKE, PORT, GROUP (Mod. 2063)	1	—		

FUSELAGE
CENTRE PORTION

Ref. No.	Part No.	Description	No. off	Matl. Spec.	Cl. of St.	Plate and Illust'n No.
					M.R.	
		1 2 3 4				
		INTAKE, AIR, DORSAL FIN (57H2618) (Cont'd.)				
	21H2569	SCOOP, AIR INTAKE, STARBOARD, GROUP (Pre-Mod. 2063)	1	—	MR	JB16/888
	23H2569	SCOOP, AIR INTAKE, STARBOARD, GROUP (Mod. 2063)	1	—		
9047	73H2483	Packing, at air intake	1	L72	C	JB16/889
6422	13H2618	Panel, skin, top, rib 347.25", forward	1	DTD626	C	
		(Pre-Mod. 2362)				
1510722	72H2618	Panel, skin, top, rib 347.28", forward	1	—	C	JB16/890
		(Mod. 2362)				
	39H2483	Panel, fibreglass assy., 0.15" x 4.6" x 9", . port	1	Fibreglass	MR	JB16/891
20822	21H2618	Panel, fibreglass assy., 0.15" x 4.6" x 19". starboard	1	Fibreglass	C	JB16/892
	38H2455	Pressing, and forward	1	L72	MR	JB16/893
9044	1H2492	RIB, DORSAL FIN, 228.72", GROUP	1	—	C	JB16/894
	1H2484	RIB, DORSAL FIN, 181.72", GROUP	1	—	MR	JB16/895
		RIB, DORSAL FIN, 347.28" (1H2622). Spares for:—				
	4H2622	ANGLE ATTACHMENT, GROUP	1	—		JB16/896
6441	53H2615	Saddle, fibreglass	1	DTD5518	C	JB16/897
	1SS4353	Screw, for bottom aft skin	2	—	MR	JB16/898
	2H2483	SKIN, FORWARD, GROUP	1	—		JB16/899
		Spares for:—				
	2aH2483	Skin, forward (Pre-Mod. 2362)	1	—	MR	
1510737	81aH2618	Skin, forward (Mod. 2362)	1	—	C	
	69H2483	Skin, aft (Pre-Mod. 2362)	1	—	MR	
1510736	82H2618	Skin, aft (Mod. 2362)	1	—	C	
20818	2cH2483	Strap, butt	1	DTDL72	C	
	5H2483	Skin, from rib 197.72" to rib 225.72"	1	DTD626	MR	
		(Pre-Mod. 2362)				
1510732	74H2618	Skin, from rib 197.72" to rib 228.72"	1	—		JB16/900
		(Mod. 2362)				
12377	6H2483	Skin, from rib 228.72" to rib 254.13"	1	DTD626	C	
		(Pre-Mod. 2362)				
1510731	75H2618	Skin, from rib 228.72" to rib 254.13"	1	—	C	JB16/901
		(Mod. 2362)				
	7H2483	Skin, from rib 254.13" to rib 288.22"	1	—		
		(Pre-Mod. 2362)				
1510730	76H2618	Skin, from rib 254.13" to rib 288.22"	1	—	C	JB16/902
		(Mod. 2362)				
	8H2483	Skin, from rib 288.22", aft to joint	1	—	MR	
		(Pre-Mod. 2362)				
1510723	103H2618	Skin, from rib 288.22", aft to joint	1	—	C	JB16/903
		(Mod. 2362)				

FUSELAGE
CENTRE PORTION

Ref. No.	Part No.	Description	No. off	Mati. Spec.	Cl. of St.	Plate and Illust'n No.
					M.R.	
		1 2 3 4				
FIN, DORSAL (1H2618) (Cont'd.)						
Spares for:—						
	9H2483	Skin, lower, forward rib 347.28", port (Pre-Mod. 2362)	1	L72	MR	
1510724	66H2618	Skin, lower, forward rib 347.25", port (Mod. 2362)	1	L72	C	JB16/904
1505202	10H2483	Skin, lower, forward rib 347.28", starboard (Pre-Mod.2362)	1	L72	C	
1510725	67H2618	Skin, lower, forward rib 347.28", starboard (Mod. 2362)	1	L72	C	JB16/905
1510726	36H2483	Skin, bottom, rear, port (Pre-Mod. 2362)	1	L72	C	JB16/906
	68H2618	Skin, bottom, rear, port (Mod. 2362)	1	L72		
	37H2483	Skin, bottom, rear, starboard (Pre-Mod. 2362)	1	L72		
1510727	69H2618	Skin, bottom, rear, starboard (Mod. 2362)	1	L72	C	JB16/907
7296	70H2483	Skin, at air intakes (Pre-Mod. 2362)	1	L72	C	
1510733	83H2618	Skin, at air intakes (Mod. 2362)	1	L72	C	JB16/908
13379	71H2483	Skin, below, fibreglass cover, port (Pre-Mod. 2362)	1	L72		
1510734	84H2618	Skin, below, fibreglass cover, port (Mod. 2362)	1	L72		JB16/909
13391	72H2483	Skin, below, fibreglass cover, starboard (Pre-Mod. 2362)	1	L72	C	
1510735	85H2618	Skin, below, fibreglass cover, starboard (Mod. 2362)	1	L72	C	JB16/910
1510728	70H2618	Skin (Mod. 2362)	1	L72	C	
1510729	71H2618	Skin (Mod. 2362)	1	L72	C	
	26H2483	Strap, butt at rib 167.72"	1	DTD626	MR	
	57H2483	Strap, butt at rib 319.5"	1	DTD626	MR	
20812	9F8635	Vent, cavity	1	—	C	

FUSELAGE
CENTRE PORTION

Ref. No.	Part No.	Description	No. off	Mtrl. Spec.	Cl. of St.	Plate and Illust'n No.
					M.R.	
		1 2 3 4				
		STRUCTURE, CENTRE PORTION (D19631) (Cont'd)				
		FIREPROOFING, ENGINE BAYS, PORT AND STARBOARD (E2931) (See Equipment—Aircraft, Fireproofing and Soundproofing)				
		FORMER, TANK BAY, STATION 86.5F (100D8793)				JB16/914
11043	1Z6930	Spares for:— DISH, MOUNTING, FIRE EXTINGUISHER BOTTLE, GROUP	1	—	B	JB16/915
	4Z6930	Spares for:— Screw, for straps	1	—	MR	
	5Z6930	Strap, assy.	1	—	MR	
9098	5D8793	Former, pressing	1	L72	MR	
9099	66D8793	Mounting, top hat	1	L72	C	
	68D8793	Mounting, top hat	1	L72	C	
		FORMER, TANK BAY, STATION 101"F ... (20D8794)				JB16/916
		Spares for:— DISH, MOUNTING, FIRE EXTINGUISHER BOTTLE, GROUP (For Spares—See Above)	1	—	MR	JB16/917
	2D8794	Former, pressing	1	L72	MR	
	6Z7087	Mounting	1	L72		
	16Z7087	Mounting	1	L72		
		FORMER, TANK BAY, STATION 115.5"F .. (16D8795)				JB16/918
		Spares for:— Former, pressing	1	L72	MR	
	2D8795	Former, pressing	1	L72	MR	
		FORMER, TANK BAY, STATION 130"F ... (50D9066)				JB16/919
		Spares for:— Former, pressing	1	L72	MR	
	2D9066	Former, pressing	1	L72	MR	
		FORMER, TANK BAY, STATION 145.25"F . (1D10969)				JB16/920
		Spares for:— Bush, at jack anchor plates	1	DTD265	C	
1433916	51aD9066	Former, pressing	1	L72	MR	
	2D9397	Former, pressing	1	L72	MR	
		FORMER, TANK BAY, STATION 169.5"F .. (18D9398)				JB16/921
		Spares for:— Former, pressing	1	L72	MR	
	2D9398	Former, pressing	1	L72	MR	

FUSELAGE
CENTRE PORTION

Ref. No.	Part No.	Description	No. off	Mati. Spec.	Cl. of	Plate and Illust'n No.	
					St. M.R.		
		1 2 3 4					
STRUCTURE, CENTRE PORTION (D10631) (Cont'd)							
FORMER, HEAVY BOMB ARCH, STATION . 44.592" A (1D10624)							
Spares for:—							
1433227	2D10618	Bracket, attachment (Pre-Mod. 2233)	1	DTD683	C	JB16/922	
1433686	53D10618	Bracket, attachment (Mod. 2233)	1	—	C		
	3D10618	Bracket, attachment (Pre-Mod. 2233)	1	DTD683			
1433690	54D10618	Bracket, attachment (Mod. 2233)	1	—	C		
	20D10624	Bracket, for autostabilizer gear, port	2	L53			
	21D10624	Bracket, for autostabilizer gear, starboard	2	L53			
	52D10624	Bracket, hoisting, inboard	1	—			
	53D10624	Bracket, hoisting, outboard	1	—			
26FP/13043	1SS3259	Plate, mod.	1	L3	C		
26FP/13044	1SS3260	Plate, serial	1	L3	C		
FORMER, HEAVY BOMB ARCH, STATION . 95.967" A (1D10619)							
Spares for:—							
1433227	2D10618	Bracket, attachment (Pre-Mod. 2233)	1	DTD683	C	JB16/923	
1433686	53D10618	Bracket, attachment (Mod. 2233)	1	—	C		
	3D10618	Bracket, attachment (Pre-Mod. 2233)	1	DTD683			
1433690	54D10618	Bracket, attachment (Mod. 2233)	1	—	C		
	80D9393	Bracket, forward attachment, starboard	1	DTD683			
	81D9393	Bracket, forward attachment, port	1	DTD683			
26FP/13043	1SS3259	Plate, mod.	1	L3	C		
26FP/13044	1SS3260	Plate, serial	1	L3	C		
FORMER, HEAVY BOMB ARCH, STATION . 108.687" A (1D10620)							
Spares for:—							
1433227	2D10618	Bracket, attachment (Pre-Mod. 2233)	1	DTD683	C	JB16/924	
1433686	53D10618	Bracket, attachment (Mod. 2233)	1	—	C		
	3D10618	Bracket, attachment (Pre-Mod. 2233)	1	DTD683			
1433690	54D10618	Bracket, attachment (Mod. 2233)	—	—	C		
12213	8V7723	BRACKET, MOUNTING, GROUP	1	—	C	JB16/925	
26FP/13043	1SS3259	Plate, mod.	1	L3	C	JB16/925	
26FP/13044	1SS3260	Plate, serial	1	L3	C		
FORMER, HEAVY BOMB ARCH, STATION . 123.015" (1D10621)							
Spares for:—							
12764	21D10621	Angle, attachment, port	1	L72		JB16/926	
	22D10621	Angle, attachment, starboard	1	L72	C		
1510542	25D10621	Bracket, attachment (Pre-Mod. 2233)	1	DTD683	C		
1433683	89D10621	Bracket, attachment (Mod. 2233)	1	—	C		
1510543	26D10621	Bracket, attachment (Pre-Mod. 2233)	1	DTD683	C		
	90D10621	Bracket, attachment (Mod. 2233)	1	—	MR		
12765	7D10621	Channel, starboard	1	L72	C		
	8D10621	Channel, port	1	L72			
26FP/13043	1SS3259	Plate, mod.	1	L3	C		
26FP/13044	1SS3260	Plate, serial	1	L3	C		

FUSELAGE
CENTRE PORTION

Ref. No.	Part No.	Description	No. off	Mati. Spec.	Cl. of	Plate and Illust'n No.
					St. M.R.	
		1 2 3 4				
		STRUCTURE, CENTRE PORTION (D10631) (Cont'd)				
		FORMER, HEAVY BOMB ARCH, STATION . 171.842" (1D10623)				JB16/927
		Spares for:-				
1433227	2D10618	Bracket, attachment (Pre-Mod. 2233)	1	DTD683	C	
1433686	53D10618	Bracket, attachment (Mod. 2233)	1		C	
	3D10618	Bracket, attachment (Pre-Mod. 2233)	1	DTD683		
1433690	54D10618	Bracket, attachment (Mod. 2233)	1		C	
	14dT4306	Bolt, anchor assy.	2	-	MR	
	14bT4306	Nut, knurled	2	-	MR	
26FP/13043	1SS3259	Plate, mod.	1	L3	C	
26FP13044	1SS3260	Plate, serial	1	L3	C	
		FORMER, EDIUM BOMB ARCH,				JB16/928
		STATION 243.127" (111D9138)				
		Spares for:-				
	85D9138	Angle, attachment, lanyard	1	DTD364B		
	49D9138	Bracket, attachment (Pre-Mod. 2233)	1	DTD683		
	200D9138	Bracket, attachment (Mod. 2233)	1		MR	
	50D9138	Bracket, attachment (Pre-Mod. 2233)	1	DTD683		
1433688	201D9138	Bracket, attachment (Mod. 2233)	1	-	C	
	335F9706	Washer, special	8	-	MR	
		FORMER, DOUBLE LIGHT BOMB ARCH, ..				JB16/929
		STATION 300.954" (1D9372)				
		Spares for:-				
3645	3D8819	Bracket	2	-	MR/C	
3646	4D8819	Bracket	2	-	MR/C	
2255	7D9499	BRACKET, BEARING, GROUP	1	-	MR/C	JB17/930
2256	8D9499	BRACKET, BEARING, GROUP	1	-	MR/C	JB17/931
		Spares for:-				
1246	46D8816	Bush	2	BSS369	C	
28N/2001715	AGS2030/19	Circlip	2	-	C	
28N/9156370	SP.21	Nipple, lubricating	1	-	C	
	45D8816	Pin, hinge	2	S82	MR	JB17/932
	13D9094	Washer, hinge pin	4	S1	MR	JB17/933
		FORMER, TRANSPORT BULKHEAD,				JB16/934
		STATION 428"A (1D10968)				
		Spares for:-				
	182D8836	Bush	2	-		
		CARRIER, OXYGEN BOTTLE, PORT AND STARBOARD (1 & 229731)				
		Spares for:-				
	11Z9731	CARRIER GROUP	1	-		JB16/935
		Spares for:-				
	8Z9206	STRAP GROUP	1	-	MR	

FUSELAGE
CENTRE PORTION

Ref. No.	Part No.	Description				No. off	Matl. Spec.	Cl. of St.	Plate and Illust'n No.
		1	2	3	4			M.R.	
		CARRIER, OXYGEN BOTTLE, PORT AND STARBOARD (1 & 2Z9731) (Cont'd)							
	9Z9206	STRAP, GROUP				1	-	MR	
	1SS1942	Spares for:-							
	3SS1944	End, strap				2	S3	MR	
	4SS1944	Head, cross, R.H.				2	S1	C	
		Head, cross, L.H.				2	S1		
	1SS1945	Turnbuckle				2	S2		
	340D10631	Hinge, engine door, at stations No. 3 and 5, .. port and starboard on rib 63.5"				4	S96	MR	JB23/936
	341D10631	Hinge, engine door, at stations No. 4, 6, 7, 8, .. 9 and 10, port and starboard, on rib 63.5"				12	S96	MR	JB23/937
	342D10631	Hinge, engine door, at stations No. 2, 11, 12, .. 14 and 15, port and starboard, on rib 63.5"				12	S96	MR	JB23/938
	343D10631	Hinge, engine door, at stations No. 13, .. port and starboard, on rib 63.5"				2	S96		JB23/939
		HINGE, FRONT, BOMB DOOR AT STATION 7.47", PORT AND STARBOARD (1 & 2D9093)							
		Spares for:-							
	12D9093	Bolt, special (Made from A59/8N)				1	-		
	13D9093	Bolt, special (Made from A59/8L)				1	-		
	10D9093	BRACKET, ATTACHMENT, PORT,				1	-	MR/C	JB17/940
	11D9093	BRACKET, ATTACHMENT, STARBOARD, GROUP				1	-	MR	JB17/941
		Spares for:-							
4760	14D9500	Adaptor				2	S1	C	JB17/942
	3D9093	Bracket, port				1	DTD683		
	4D9093	Bracket, starboard				1	DTD683		
1237	5D9093	Bush				2	3SS369	C	JB17/943
28N/1007986	AGS2030/39	Circlip				2	-	C	JB17/944
28N/9156370	SP.21	Nipple, grease				2	-	C	
4761	15D9500	Washer, special				2	L34	C	JB17/945
1236	7D9093	Pin, hinge				1	S82	C	JB17/946
	13D9094	Washer, hinge pin				2	S1	MR	JB17/947
		HINGE, BOMB DOOR, AT STATION 43.66", PORT AND STARBOARD (1 & 2D9495)							
		Spares for:-							
	6D9495	Bracket, attachment				1	DTD688	MR	JB17/948
	11D8816	BRACKET, BEARING, FORWARD,				1	-	MR	JB17/949
		PORT, GROUP							

FUSELAGE
CENTRE PORTION

Ref. No.	Part No.	Description	No. off	Matl. Spec.	Cl. of St.	Plate and Illust'n No.	
					M.R.		
		1	2	3	4		
		HINGE, BOMB DOOR, AT STATION 43.66", PORT AND STARBOARD (1 & 2D9495) (Cont'd)					
	12D8816	BRACKET, BEARING, FORWARD, STAR- BOARD, GROUP	1	—	MR	JB17/950	
	23D8816	BRACKET, BEARING, REAR, PORT, GROUP	1	—	MR	JB17/951	
	24D8816	BRACKET, BEARING, REAR, STAR- BOARD, GROUP	1	—	MR	JB17/952	
		Spares for:—					
	13D9500	Adaptor	1	S1	MR	JB17/953	
	46D8816	Bush	1	BSS369	MR	JB17/954	
	AGS2030/19	Circlip	1	—	C		
	SP.21	Nipple, grease	1	—	C		
	15D9500	Washer, special	1	L34	C	JB17/955	
	3D9495	Channel, support, port	1	L72	MR	JB17/956	
	4D9495	Channel, support, starboard	1	L72	MR	JB17/957	
	45D8816	Pin, hinge	1	S82	MR	JB17/958	
	13D9094	Washer, hinge pin	2	S1	MR	JB17/959	
		HINGE, BOMB DOOR, AT STATION 95.03", PORT AND STARBOARD (1 & 2D9496)					
		Spares for:—					
3644	13D9496	Bracket, attachment	1	DTD683	MR/C	JB17/960	
	13D8816	BRACKET, BEARING, FORWARD, PORT, GROUP	1	—	MR	JB17/961	
	14D8816	BRACKET, BEARING, FORWARD, STARBOARD, GROUP	1	—	MR	JB17/962	
	25D8816	BRACKET, BEARING, REAR, PORT, GROUP	1	—	MR	JB17/963	
	26D8816	BRACKET, BEARING, REAR, STAR- BOARD, GROUP	1	—	MR	JB17/964	
		Spares for:—					
	13D9500	Adaptor	1	S1	MR	JB17/965	
	46D8816	Bush	1	BSS369	MR	JB17/966	
	AGS2030/19	Circlip	1	—	C		
	SP.21	Nipple, grease	1	—	C		
	15D9500	Washer	2	L34	C	JB17/967	
	3D9496	Channel, support, port	1	L72	MR	JB17/968	
	4D9496	Channel, support, starboard	1	L72	MR	JB17/969	
	45D8816	Pin, hinge	1	S82	MR	JB17/970	
	13D9094	Washer, hinge pin	2	L34	MR	JB17/971	
		HINGE, BOMB DOOR, AT STATION 130.53", PORT AND STARBOARD (1 & 2D10663)					
		Spares for:—					
	13D9497	Bracket, attachment	1	DTD683	MR	JB17/972	

VULCAN Mk. 2

FUSELAGE
CENTRE PORTION

Page JB. 61

Ref. No.	Part No.	Description	No. off	Mati. Spec.	Cl. of	Plate and Illust'n No.
					St.	
		1 2 3 4				
		HINGE, BOMB DOOR, AT STATION 130.53", PORT AND STARBOARD (1 & 2D10663) (Cont'd)				
2257	5D8837	BRACKET, BEARING, FORWARD, PORT, GROUP	1	—	MR/C	JB17/973
2258	6D8837	BRACKET, BEARING, FORWARD, STARBOARD, GROUP	1	—	MR/C	JB17/974
2255	7D9499	BRACKET, BEARING, REAR, PORT, GROUP	1	—	MR/C	JB17/975
2256	8D9499	BRACKET, BEARING, REAR, STAR- BOARD, GROUP	1	—	MR/C	JB17/976
		Spares for:—				
	46D8816	Bush	1	BSS369	MR	JB17/977
28N/2001715	AGS2030/19	Circlip	1	—	C	JB17/978
28N/9156370	SP.21	Nipple, grease	1	—	C	JB17/979
	45D8816	Pin, hinge	1	S82	MR	JB17/980
	13D9094	Washer, hinge pin	2	S1	MR	JB17/981
		HINGE, BOMB DOOR, AT STATION 1790.91", PORT AND STARBOARD (11 & 12D9498)				
		Spares for:—				
	7D9498	Bracket, attachment	1	DTD683	MR/C	JB17/982
	17D8816	BRACKET, BEARING, FORWARD, PORT, GROUP	1	—	MR	JB17/983
	18D8816	BRACKET, BEARING, FORWARD, STARBOARD, GROUP	1	—	MR	JB17/984
	29D8816	BRACKET, BEARING, REAR, PORT, GROUP	1	—	MR	JB17/985
	30D8816	BRACKET, BEARING, REAR, STAR- BOARD, GROUP	1	—	MR	JB17/986
		Spares for:—				
	13D9500	Adaptor	1	S1	MR	JB17/987
	46D8816	Bush	1	BSS369	MR	JB17/988
28N/2001715	AGS2030/19	Circlip	1	—	C	JB17/989
28N/9156370	SP.21	Nipple, grease	1	—	C	JB17/990
4761	15D9500	Washer	1	L34	C	JB17/991
	3D9498	Channel, support, port	1	L72		JB17/992
	4D9498	Channel, support, starboard	1	L72		JB17/993
	45D8816	Pin, hinge	1	S82	MR	JB17/994
	13D9094	Washer, hinge pin	2	S1	MR	JB17/995
		HINGE, BOMB DOOR, AT STATION 217.29", PORT AND STARBOARD (1 & 2D9499)				
		Spares for:—				
	13D9497	Bracket, attachment	1	DTD683	MR	JB17/996

FUSELAGE
CENTRE PORTION

Ref. No.	Part No.	Description	No. off	Mati. Spec.	Cl. of St.	Plate and Illust'n No.
					M.R.	
		1 2 3 4				
		HINGE, BOMB DOOR, AT STATION 217, 29", PORT AND STARBOARD (1 & 2D9499) (Cont'd)				
2255	7D9499	BRACKET, BEARING, REAR PORT, FORWARD STARBOARD, GROUP	1	—	MR/C	JB17/997
2256	8D9499	BRACKET, BEARING, REAR STARBOARD, FORWARD PORT, GROUP	1	—	MR/C	JB17/998
		Spares for:—				
	46D8816	Bush	1	BS369	MR	JB17/999
28N/2001715	AGS2030/19	Circlip	1	—	C	JB17/1000
28N/9156370	SP21	Nipple	1	—	C	JB17/1001
	17D8837	Pin, hinge	1	S82	MR	JB17/1002
	11D9499	Plate, thrust, rear port	1	S80		
	12D9499	Plate, thrust, rear, starboard	1	S80		
	13D9499	Plate, thrust, forward, port	1			
	14D9499	Plate, thrust, forward, starboard	1	S80		
	13D9094	Washer, hinge pin	2	S1	MR	JB17/1003
	10D9499	Washer, thrust	2	BSS369	MR	JB17/1004
		HINGE, BOMB DOOR, AT STATION 258, 16", PORT AND STARBOARD (1 & 2D9500)				
		Spares for:—				
3644	13D9496	Bracket, attachment	1	DTD683	MR/C	JB17/1005
	19D8816	BRACKET, BEARING, FORWARD, PORT, GROUP	1	—	MR	JB17/1006
	20D8816	BRACKET, BEARING, FORWARD STARBOARD GROUP	1	—	MR	JB17/1007
	31D8816	BRACKET, BEARING, REAR, PORT, GROUP	1	—	MR	JB17/1008
	32D8816	BRACKET, BEARING, REAR, STARBOARD, GROUP	1	—	MR	JB17/1009
		Spares for:—				
	13D9500	Adaptor	1	S1	MR	JB17/1010
	46D8816	Bush	1	BSS369	MR	JB17/1011
28N/2001715	AGS2030/19	Circlip	1	—	C	JB17/1012
28N/9156370	SP21	Nipple, grease	1	—	C	
4761	15D9500	Washer	1	L34	C	JB17/1013
	3D9500	Channel, support, port	1	L72		JB17/1014
	4D9500	Channel, support, starboard	1	L72	MR	JB17/1015
	45D8816	Pin, hinge	1	S82	MR	JB17/1016
	13D9094	Washer, hinge pin	1	S1	MR	JB17/1017
		HINGE, BOMB DOOR, AT STATION 300.954", PORT AND STARBOARD (D9372 Sht. 2) (For Spares—See Item 1D9372) (Page JB 58)				

FUSELAGE
CENTRE PORTION

Ref. No.	Part No.	Description	No. off	Mati. Spec.	Cl. of	Plate and Illust'n No.
					St. M.R.	
		1 2 3 4				
		STRUCTURE, CENTRE PORTION (D10631) (Cont'd)				
	22D9094	HINGE, BOMB DOOR, REAR, AT STATION 347.94", PORT AND STARBOARD (1 & 2D9094) Spares for:— BRACKET, ATTACHMENT, GROUP	1	—	MR	JB17/1018
4760	14D9500	Spares for:— Adaptor	2	S1	C	JB17/1019
	24D9094	Bush, upper	2	S93	C	JB17/1020
1240	10D9094	Bush, lower	2	BSS369	C	JB17/1021
28N/9128956	AGS2031/8	Circlip, upper bushes	2	—	C	JB17/1022
28N/2001715	AGS2030/19	Circlip, lower bushes	2	—	C	JB17/1023
28N/9156370	SP.21	Nipple, grease	2	—	C	JB17/1024
4761	15D9500	Washer	2	L34	C	JB17/1025
	11D9094	Bracket, attachment, top, port	1	DTD683	MR	JB17/1026
	12D9094	Bracket, attachment, top, starboard	1	DTD683	MR	JB17/1027
1239	14D9094	Pin, hinge	1	S82	C	JB17/1028
	13D9094	Washer, hinge pin	2	S1	MR	JB17/1029
		HOISTING, ENGINE, REAR, INBOARD AND OUTBOARD, PORT AND STARBOARD (1, 2, 3 & 4F 10447) (See Power Installation—Engine Mounting and Hoisting)				
		HOISTING, ENGINE, FORWARD, IN- BOARD AND OUTBOARD, PORT AND STARBOARD (1, 2, 3 & 4F 10570) (Pre-Mod. 905) (1, 2, 3 & 4F 11534, Mod. 905) (See Power Installation—Engine Mounting and Hoisting)				

FUSELAGE
CENTRE PORTION

Ref. No.	Part No.	Description	No. off	Matl. Spec.	Cl. of St.	Plate and Illust'n No.
					M.R.	
		1 2 3 4				
		INTAKE, AIR, FIXED PORTION, AFT OF BULKHEAD 63.19", PORT AND STARBOARD (1 & 2F11529) (Mod. 906 and Pre-Mod. 2138) (1 & 2F12857) (Mod. 2138) Spares for:—				
	26F11529	INTAKE, AIR, INBOARD, PORT, GROUP (Pre-Mod. 2138)	1	—		JB25/1030
	3F12857	INTAKE, AIR, INBOARD, PORT, GROUP (Mod. 2138)	1	—		
	27F11529	INTAKE, AIR, INBOARD, STARBOARD, GROUP (Pre-Mod. 2138)	1	—		JB25/1031
	4F12857	INTAKE, AIR, INBOARD, STARBOARD, GROUP (Mod. 2138)	1	—		
	28F11529	INTAKE, AIR, OUTBOARD, PORT, GROUP (Pre-Mod. 2138)	1	—		JB25/1032
	5F12857	INTAKE, AIR, OUTBOARD, PORT, GROUP (Mod. 2138)	1	—		
	29F11529	INTAKE, AIR, OUTBOARD, STARBOARD, GROUP (Pre-Mod. 2138)	1	—		JB25/1033
	6F12857	INTAKE, AIR, OUTBOARD, STARBOARD, GROUP (Mod. 2138) Spares for:—	1	—		
28F/8011809	AGS1104/B	Adaptor, for intake drain	1	—	C	
	13F10441	Angle, mounting, former	3	—	MR	
	14F10441	Angle, mounting, former	2	—	MR	
	68F10441	Angle, mounting, former	7	—	MR	
	69F10441	Angle, mounting, former	10	—	MR	
	16F11529	Angle, mounting, former	1	—		
	18F11529	Angle, mounting, former	1	—		
28N/4186634	AGS980/B	Flange, female, for drain	1	—	C	
1433205	23F11529	JOINT, EXPANSION, GROUP	1	—	A	JB25/1034
		Spares for:—				
	21F11529	Plate, joint	2	L72		
	3F11529	Ring, seal	1	DTD5008	MR	JB25/1035
	10F11529	RING, GUIDE, GROUP	1	—	MR	JB25/1036
	24F11529	Seal	1	—	MR	JB25/1037
	7F12857	JOINT, SLIDING, INBOARD, GROUP (Mod. 2138)	1	—		
	8F12857	JOINT, SLIDING, OUTBOARD, GROUP (Mod. 2138) Spares for:—	1	—		
		Pad	20	Nylon 66	C	
1433374	14F12857	Ring, half guide, inboard	1	L72	C	
1433371	9F12857	Ring, half guide, outboard	1	L72	C	
1433369	10F12857	Ring, half guide, inboard	1	L72	C	
1433372	11F12857	Ring, half guide, outboard	1	L72	C	
1433370	12F12957	Ring, half guide, outboard	1	L72	C	
	15F12857	Strap, butt	2	L72	C	
	22F11529	Plate, joint	2	L72		
26FP/14845	AS2917	Plate, modification	1	—	MR	
	AS2916	Plate, serial	1	—	C	

VULCAN Mk. 2

FUSELAGE
CENTRE PORTION

Page JB. 63B

Ref. No.	Part No.	Description	No. off	Matl. Spec.	Cl. of	Plate and Illust'n No.
					St. M.R.	
		1 2 3 4				
		INTAKE, AIR, FIXED PORTION, AFT OF BULKHEAD 63.19", PORT AND STARBOARD (1 & 2F11529 and 1 & 2F12857) (Cont'd)				
	6.O.4186	Ring, sealing for adaptor	1	DTD762		JB25/1038
1433921	8F11529	RING, GUIDE, GROUP	1	—	C	JB25/1039
	9F11529	RING, SHROUD, GROUP	1	—	MR	JB25/1040
28F/9428453	AGS.1186/B	Seal, bonded, for drain	1	—	C	

FUSELAGE
CENTRE PORTION

Ref. No.	Part No.	Description	No. off	Matl. Spec.	Cl. of St.	Plate and Illust'n No.	
					M.R.		
17228	9D11404 6A3214 12D11404 3SS4667	INTERCOSTAL, BETWEEN BOMB ARCHES 151.919" AND 171.842", PORT AND STARBOARD (1 & 2D10956)					
		Spares for:—					
		Bolt, shear, for lug	5	S94			
		Lug, suspension, forward	1	L77			
		Washer, under nut	5	S93			
			Washer, under bolt head	5	DTD130	C	
			INTERCOSTAL, BETWEEN BOMB ARCHES 64.592" AND 95.967", PORT AND STARBOARD (21 & 22D10484)				
			Spares for:—				
		24D10484	PANEL, STOWAGE, PORT, GROUP	—	—		
			Spares for:—				
		BRACKET, MOUNTING, C/W LABELS, GROUP	1	—			
	6V9940	CAP, PLUG SEALING, GROUP	1	—			

FUSELAGE
CENTRE PORTION

Ref. No.	Part No.	Description	No. off	Matl. Spec.	Cl. of St.	Plate and Illust'n No.
					M.R.	
		1 2 3 4				
		INTERCOSTAL, BETWEEN BOMB ARCHES 64.592" and 95.967", PORT AND STARBOARD (21 & 22D10484) (Cont'd)				
	7V9940 SMITHS LF16 SMITHS LF36	CAP, PLUG SEALING, GROUP	2	—		
		Connector	1	—		
		Cover, connector	1	—		
		INTERCOSTAL, BETWEEN BOMB ARCHES 171.842" AND 182.967" AND 182.967", PORT AND STARBOARD (1 & 2D11404)				
		Spares for:—				
	9D11404	Bolt, special, 3/8" dia.	1	S94		
	10D11404	Bolt, special, 3/8" dia.	6	S94		
	11D11404	Bolt, special, 1/2" dia.	1	S94		
	7A3214	Lug, suspension, aft	1	L77		
	12D11404	Washer, under nut	7	S93		
	13D11404	Washer, under nut	1	S93		
17228	3SS4667	Washer, under bolt head	7	DTD130	C	
26TA/2627	5SS4667	Washer, under bolt head	1	DTD130	C	
		INTERCOSTAL, BETWEEN BOMB ARCHES 151.919" AND 171.872", PORT AND STARBOARD (1 & 2D11426)				
		Spares for:—				
	16D9416	Plate, plug mounting	1	L72		
		JOINT, BOMB BAY RIB 63.5" TO FRONT SPAR, TOP, PORT AND STARBOARD (1 & 2F7760)				
		Spares for:—				
	15F7760	Bolt, special, 3/8" dia. x 1.39" long	2	S96	MR	JB18/1041
	16F7760	Bolt, special, 3/8" dia. x 1.49" long	2	S96	MR	JB18/1042
	17F7760	Bolt, special, 1/2" dia. x 1.39" long	1	S96	MR	JB18/1043
	18F7760	Bolt, special, 1/2" dia. x 1.49" long	1	S96	MR	JB18/1044
	69F7760	Bolt, special, through front spar, top	2	S96	MR	JB18/1045
	41F7760	Bracket, attachment, top, aft inboard	1	DTD683	MR	JB18/1046
		starboard				
	42F7760	Bracket, attachment, top, aft inboard, port ..	1	DTD683	MR	JB18/1047
	43F7760	Bracket, attachment, top forward out-	1	DTD683	MR	JB18/1048
		board, port				
	44F7760	Bracket, attachment, top forward out-	1	DTD683	MR	JB18/1049
		board, starboard				
	45F7760	Bracket, attachment, top forward inboard, port	1	DTD683	MR	JB18/1050
	46F7760	Bracket, attachment, top forward inboard, starboard	1	DTD683	MR	JB18/1051
	67F7760	Bracket, attachment, top aft, outboard, port	1	DTD683	MR	JB18/1052
	68F7760	Bracket, attachment, top aft, outboard,	1	DTD683	MR	JB18/1053
		starboard				

FUSELAGE
CENTRE PORTION

Ref. No.	Part No.	Description				No. off	Matl. Spec.	Cl. of St.	Plate and Illust'n No.
		1	2	3	4			M.R.	
		JOINT BOMB BAY RIB 63.5" TO FRONT SPAR, TOP (1 & 2F7760) (Cont'd)							
28M/4199622	A58/LS				Nut	4	—	MR/C	
28M/4199605	A58/NS				Nut	2	—	MR/C	
28M/4199648	A27/SC				Nut, castle	2	—	MR/C	
	26F7760				Washer, for bolts (15 & 16F7760)	4	L1	MR	JB18/1054
	27F7760				Washer, for bolts (17 & 18F7760)	2	L1	MR	JB19/1055
	34F7760				Washer, for bolt (69F7760)	2	L1	MR	JB18/1056
28W/9419482	SP15/S				Washer	2	—	MR/C	
		JOINT, BOMB BAY RIB 63.5", TOP TO REAR SPAR, PORT AND STARBOARD (1 & 2F7761)							
		Spares for:—							
	20F7761				Bolt, special, 1/2" dia. x 1.7" long	1	S96	MR	JB18/1057
	21F7761				Bolt, special, 9/16" dia. x 1.7" long	1	S96	MR	JB18/1058
	24F7761				Bolt, special, 5/8" dia. x 1.75" long	2	S96	MR	JB18/1059
	35F7761				Bolt, special, through spar	2	S96	MR	JB18/1060
	57F7761				Bolt, special, 1/2" dia. x 1.9" long	1	S96	MR	JB18/1061
	63F7761				Bolt, special, 9/16" dia. x 2.47" long	1	S96	MR	JB18/1062
	5F7761				Bracket, attachment, top aft outboard, port inboard	1	DTD683	MR	JB18/1063
	6F7761				Bracket, attachment, top aft inboard, port ... outboard, starboard	1	DTD683	MR	JB18/1064
	7F7761				Bracket, attachment, top forward inboard, starboard	1	DTD683	MR	JB18/1065
	8F7761				Bracket, attachment, top forward inboard, port	1	DTD683	MR	JB18/1066
	61F7761				Bracket, attachment, top forward outboard, port	1	DTD683	MR	JB18/1067
	62FF7761				Bracket, attachment, top forward outboard, starboard	1	DTD683	MR	JB18/1068
	15F10079				Bracket, attachment, web, port	1	—	MR	JB18/1069
	16F10079				Bracket, attachment, web, starboard	1	—	MR	JB18/1070
	17F10079				Bracket, attachment, stringer, port	1	—	MR	
	18F10079				Bracket, attachment, stringer, starboard	1	—	MR	
28M/4199622	A58/L2				Nut, for bolts (20 & 57F7761)	2	—	MR/C	JB18/1071
28M/4199605	A58/NS				Nut, for bolts (21 & 63F7761)	2	—	MR/C	JB18/1072
28M/4199664	A27/UC				Nut, for bolt (35F7761)	2	—	MR/C	JB18/1073
	64F7761				Nut, for bolt (24F7761)	2	S96	MR	JB18/1074
	32F7761				Washer, for bolt (35F7761)	2	L1	MR	JB18/1075
	27F7761				Washer, for bolts (20 & 57F7761)	2	L1	MR	JB18/1076
	28F7761				Washer, for bolts (21 & 63F7761)	2	L1	MR	JB18/1077
	29F7761				Washer, for bolts (24F7761)	2	L1	MR	JB18/1078
	37F7761				Washer, for bolts (20 & 57F7761)	2	S1	MR	JB18/1079
	38F7761				Washer, for bolts (21 & 63F7761)	2	S1	MR	JB18/1080
	39F7761				Washer, for bolts (24F7761)	2	S1	MR	JB18/1081
28W/9419462	SP10/U				Washer, for bolt (35F7761)	2	—	MR/C	JB18/1082

VULCAN Mk. 2

FUSELAGE
CENTRE PORTION

Page JB. 67

Ref. No.	Part No.	Description	No. off	Matl. Spec.	Cl. of St.	Plate and Illust'n No.
					M.R.	
		STRUCTURE, CENTRE PORTION (D10631) (Cont'd)				
		JOINT, BOMB BAY RIB 63.5, BOTTOM, TO FRONT SPAR, PORT AND STARBOARD (1 & 2F9948) (Mod. 143) Spares for:—				
	11F9948	Bolt, special, through spar	2	S96	MR	JB18/1083
	20F7760	Bolt, special, 5/8" dia. x 1.9" long	1	S96	MR	JB18/1084
	23F7760	Bolt, special, 3/4" dia. x 1.965" long	1	S96	MR	JB18/1085
	49F7760	Bolt, special, 7/8" dia. x 2.065" long	1	S96	MR	JB18/1086
	50F7760	Bolt, special, 7/8" dia. x 2.07" long	1	S96	MR	JB18/1087
	51F7760	Bolt, special, 1" dia. x 2.08" long	1	S96	MR	JB18/1088
	58F7760	Bolt, special, 7/8" dia. x 2.015" long	1	S96	MR	JB18/1089
	3F9948	Bracket, attachment, bottom forward	1	DTD683	MR	JB18/1090
	4F9948	Bracket, attachment, bottom forward	1	DTD683	MR	JB18/1091
	5F9948	Bracket, attachment, bottom aft outboard, port	1	DTD683	MR	JB18/1092
	6F9948	Bracket, attachment, bottom aft outboard, starboard	1	DTD683	MR	JB18/1093
	7F9948	Bracket, attachment, bottom forward	1	DTD683	MR	JB18/1094
	8F9948	Bracket, attachment, bottom forward	1	DTD683	MR	JB18/1095
	9F9948	Bracket, attachment, bottom aft inboard, port	1	DTD683	MR	JB18/1096
	10F9948	Bracket, attachment, bottom aft inboard, starboard	1	DTD683	MR	JB18/1097
28M/4199648	A27/SC	Nut, for bolt (11F9948)	2	—	MR/C	JB18/1098
	65F7760	Nut, for bolt (20F7760)	1	HTS	MR	JB18/1099
	70F7760	Nut, for bolt (23F7760)	1	HTS	MR	JB18/1100
	71F7760	Nut, for bolts (49, 50 & 58F7760)	3	HTS	MR	JB18/1101
	72F7760	Nut, for bolt (51F7760)	1	HTS	MR	JB18/1102
	29F7760	Washer, for bolt (20F7760)	1	L1	MR	JB18/1103
	31F7760	Washer, for bolts (23F7760)	1	L1	MR	JB18/1104
	54F7760	Washer, for bolts (49, 50 & 58F7760)	3	L1	MR	JB18/1105
	55F7760	Washer, for bolt (5F7760)	1	L1	MR	JB18/1106
28W/9419482	SP.15/S	Washer, for bolt (11F9948)	1	—	MR/C	JB18/1107
		JOINT, BOMB BAY RIB 63.5" BOTTOM TO REAR SPAR, PORT AND STARBOARD (3 & 4F7761) Spares for:—				
	19F7761	Bolt, special, 3/8" dia. x 1.70" long	1	S96	MR	JB18/1108
	20F7761	Bolt, special, 1/2" dia. x 1.70" long	2	S96	MR	JB18/1109
	21F7761	Bolt, special, 9/16" dia. x 1.73" long	1	S96	MR	JB18/1110
	24F7761	Bolt, special, 5/8" dia. x 1.78" long	1	S96	MR	JB18/1111
	25F7761	Bolt, special, 3/4" dia. x 1.78" long	1	S96	MR	JB18/1112
	31F7761	Bolt, special, 1/2" dia. x 4.2" long	1	S96	MR	JB18/1113
	32F7761	Bolt, special, 9/16" dia. x 4.3" long	3	S96	MR	JB18/1114
	43F7761	Bolt, special, 13/16" dia. x 4.7" long	2	S99	MR	JB18/1115
	72F7761	Bolt, special, 9/16" dia. x 2.64" long	1	S94	MR	JB18/1116

FUSELAGE
CENTRE PORTION

Ref. No.	Part No.	Description	No. off	Mati. Spec.	Cl. of St.	Plate and Illust'n No.
					M.R.	
		1 2 3 4				
		JOINT, BOMB BAY RIB 63.5" BOTTOM TO REAR SPAR, PORT AND STARBOARD (3 & 4F7761) (Cont'd)				
	11F7761	Bracket, attachment, bottom forward inboard, port	1	S96	MR	JB18/1117
	12F7761	Bracket, attachment, bottom forward inboard, starboard	1	S96	MR	JB18/1118
	15F7761	Bracket, attachment, bottom aft inboard, port	1	S96	MR	JB18/1119
	16F7761	Bracket, attachment, bottom aft inboard, starboard	1	S96	MR	JB18/1120
	17F7761	Bracket, attachment, bottom aft outboard, port	1	S96	MR	JB18/1121
	18F7761	Bracket, attachment, bottom aft outboard, starboard	1	S96	MR	JB18/1122
	59F7761	Bracket, attachment, bottom forward outboard, port	1	S96	MR	JB18/1123
	60F7761	Bracket, attachment, bottom forward outboard, starboard	1	S96	MR	JB18/1124
	55F7761	Bracket, port	1	S96	MR	JB18/1125
	56F7761	Bracket, starboard	1	S96	MR	JB18/1126
28M/4199616	A58/JS	Nut, for bolt (19F7761)	1	—	MR/C	JB18/1127
28M/4199622	A58/LS	Nut, for bolt (20F7761)	2	—	MR/C	JB18/1128
28M/4199605	A58/NS	Nut, for bolt (21F7761)	1	—	MR/C	JB18/1129
28M/4095902	A27/PC	Nut, for bolt (32F7761)	3	—	MR/C	JB18/1130
28M/4095949	A27/NC	Nut, for bolt (31F7761)	1	—	MR/C	JB18/1131
	26F7753	Nut, for bolt (43F7761)	2	S96	MR	JB18/1132
	47F7761	Nut, for bolt (72F7761)	1	S96	MR	JB18/1133
	64F7761	Nut, for bolt (24F7761)	1	S96	MR	JB18/1134
	65F7761	Nut, for bolt (25F7761)	1	S96	MR	JB18/1135
28W/9419468	SP13/N	Washer, for bolt (31F7761)	1	—	MR/C	JB18/1136
	27F7761	Washer, for bolts (20 & 31F7761)	3	L1	MR	JB18/1137
28W/9419469	SP13/P	Washer, for bolts (32F7761)	3	—	MR/C	JB18/1138
	28F7761	Washer, for bolts (21 & 32F7761)	2	L1	MR	JB18/1139
	26F7761	Washer, for bolt (19F7761)	1	L1	MR	JB18/1140
	29F7761	Washer, for bolt (24F7761)	1	L1	MR	JB18/1141
1787	30F7761	Washer, for bolt (25F7761)	1	L1	MR/C	JB18/1142
	35F7753	Washer, for bolt (43F7761)	2	DTD364A	MR	JB18/1143
	84F7753	Washer, for bolt (43F7761)	2	S1	MR	JB18/1144
	36F7761	Washer, for bolt (19F7761)	1	S1	MR	JB18/1145
	37F7761	Washer, for bolt (20F7761)	2	S1	MR	JB18/1146
	38F7761	Washer, for bolt (21 & 72F7761)	2	S1	MR	JB18/1147
	39F7761	Washer, for bolt (24F7761)	1	S1	MR	JB18/1148
	40F7761	Washer, for bolt (25F7761)	1	S1	MR	JB18/1149
		JOINT, CENTRE ENGINE RIB 113.3" TO FRONT SPAR, TOP, PORT AND STARBOARD (21 & 22F8443)				
		Spares for:—				
	15F8443	Bolt, special, through spar	2	S96	MR	JB19/1150
	7F8443	Bracket, attachment, top, forward, port	1	DTD683	MR	JB19/1151
	8F8443	Bracket, attachment, top, forward, starboard	1	DTD683	MR	JB19/1152

FUSELAGE
CENTRE PORTION

Ref. No.	Part No.	Description	No. off	Mati. Spec.	Cl. of St.	Plate and Illust'n No.
					M.R.	
		1 2 3 4				
		JOINT, CENTRE ENGINE RIB 113.3" TO FRONT SPAR, TOP, PORT AND STARBOARD (21 & 22F8443) (Cont'd)				
	19F8443	Bracket, attachment, top aft, port and starboard	1	DTD683	MR	JB19/1153
	20F8443	Bracket, attachment, top aft, port and starboard	1	DTD683	MR	JB19/1154
28M/4199635	A27/LC	Nut, castle	2	—	MR/C	JB19/1155
	10F8443	Washer, for bolt (15F8443)	2	DTD364B	MR	JB19/1156
28W/9419467	SP13/L	Washer, for bolt (15F8433)	2	—	MR/C	JB19/1157
		JOINT, CENTRE ENGINE RIB 113.3" TO FRONT SPAR, BOTTOM, AND FORWARD MAIN JACKING POINT, PORT AND STARBOARD (3 & 4F8443)				
		Spares for:—				
	13F8443	Bracket, attachment, aft, port and starboard	1	DTD364B	MR	JB19/1158
	14F8443	Bracket, attachment, aft, port and starboard	1	DTD364B	MR	JB19/1159
	13F8494	Bracket, attachment, forward, port	1	DTD364B	MR	JB19/1160
28M/4199635	A27/LC	Bracket, attachment, forward, starboard	1	DTD364B	MR	JB19/1161
	16F8494	Nut, castle	4	—	MR/C	JB19/1162
28W/9419467	SP13/L	Stud, special	2	S96	MR	JB19/1163
		Washer	4	—	MR/C	JB19/1164
		JOINT, CENTRE ENGINE RIB 113.3" TO REAR SPAR TOP AND BOTTOM, PORT AND STARBOARD (1, 2, 3 & 4F8173)				
		Spares for:—				
	8F8173	Bolt, special, top joint	1	S96	MR	JB19/1165
	9F8173	Bolt, special, bottom joint	1	S96	MR	JB19/1166
	10F8173	Bolt, special, top joint	2	S96	MR	JB19/1167
	11F8173	Bolt, special, bottom joint	2	S96	MR	JB19/1168
	5F8173	Bracket, attachment, forward, top port, bottom starboard	1	DTD364B	MR	JB19/1169
	6F8173	Bracket, attachment, forward, top starboard, bottom port	1	DTD364B	MR	JB19/1170
28M/9512071	7F8173	Bracket, attachment, aft, port and starboard	1	DTD364B	MR	JB18/1171
28M/4095949	A27/GC	Nut, for bolts (10 & 11F8173)	2	—	MR/C	JB19/1172
	A27/NC	Nut, for bolts (8 & 9F8173)	1	—	MR/C	JB19/1173
		JOINT, TRANSPORT RIB 162.5" TOP, TO FRONT SPAR, PORT AND STARBOARD (48 & 49F8775)				
		Spares for:—				
1064	9F7756	Bolt, special, 2" dia. x 8.43" long	2	S99	MR/C	JB20/1174
	10F8775	Bolt, special, 0.865" dia. x 4.72" long	2	S99		JB20/1175
	11F8775	Bolt, special, 1" dia. x 4.9" long	1	S99		JB20/1176
	12F8775	Bolt, special, 0.75" dia. x 4.67" long	1	S99		JB20/1177
	18F7756	Nut, for bolt (9F7756)	2	S1		JB20/1178
28M/4095885	A27/QS	Nut, slotted, 5/8" BSF	3	—	MR/C	JB20/1179
28M/4095931	A27/SS	Nut, slotted, 3/4" BSF	1	—	MR/C	JB20/1180

FUSELAGE
CENTRE PORTION

Ref. No.	Part No.	Description	No. off	Mati. Spec.	Cl. of St.	Plate and Illust'n No.	
					M.R.		
		1	2	3	4		
JOINT, TRANSPORT RIB 162.5" TOP TO FRONT SPAR, PORT AND STARBOARD (48 & 49F8775) (Cont'd)							
3873	21F7756	Pin, split for bolt (9F7756)	2	—	MR	JB20/1181	
	28F8775	Shackle	2	S99		JB20/1182	
	24F7753	Washer, for bolt (11F8775)	1	DTD364A	MR	JB20/1183	
	25F7753	Washer, for bolt (11F8775)	1	S1		JB20/1184	
	28F7753	Washer, for bolt (12F8775)	1	DTD364A	MR/C	JB20/1185	
	29F7753	Washer, for bolt (12F8775)	1	S1	MR	JB20/1186	
	19F7756	Washer, for bolts (10F8775)	2	DTD364A	MR/C	JB20/1187	
	20F7756	Washer, for bolt (10F8775)	2	S1	MR/C	JB20/1188	
	27F8775	Washer, for bolt (9F7756)	2	DTD130		JB20/1189	
4F8628	Washer, for bolts (9F7756)	2	S1	MR	JB20/1190		
JOINT, TRANSPORT RIB 162.5" BOTTOM, TO FRONT SPAR, PORT AND STARBOARD (1 & 2F11338) (Mod. 729)							
Spares for:—							
1065	13F8775	Angle, stiffening	1	DTD363A	MR	JB20/1191	
	10F8775	Bolt, special, 0.875" dia. x 8.43" long	2	S99		JB20/1192	
	11F8775	Bolt, special, 1" dia. x 4.9" long	1	S99		JB20/1193	
	12F8775	Bolt, special, 0.75" dia. x 4.67" long	1	S99		JB20/1194	
	26F7756	Bolt, special, through spar	2	S99	MR/C	JB20/1195	
	18F7756	Nut, for bolt (26F7756)	2	S1		JB20/1196	
	A27/QS	Nut, slotted, 5/8" BSF	3	—	MR/C	JB20/1197	
	A27/SS	Nut, slotted, 3/4" BSF	1	—	MR/C	JB20/1198	
	21F7756	Pin, split, for bolt (26F7756)	1	—	MR	JB20/1199	
	46F8775	Shackle	1	S99	MR	JB20/1200	
	47F8775	Shackle	1	S99	MR	JB20/1201	
	24F7753	Washer, for bolt (11F8775)	1	DTD364A	MR	JB20/1202	
	25F7753	Washer, for bolt (11F8775)	1	S1		JB20/1203	
	28F7753	Washer, for bolt (12F8775)	1	DYD364A	MR/C	JB20/1204	
	29F7753	Washer, for bolt (12F8775)	1	S1	MR	JB20/1205	
19F7756	Washer, for bolt (10F8775)	2	DTD364A	MR/C	JB20/1206		
20F7756	Washer, for bolt (10F8775)	2	S1	MR/C	JB20/1207		
4F8628	Washer, for bolt (26F7756)	2	S1	MR	JB20/1208		
27F8775	Washer, for bolt (26F7756)	2	DTD130		JB20/1209		
3F8628	Web, joint plate (blank)	1	DTD687	MR	JB20/1210		
MECHANISM, BOMB DOOR, AFT, PORT AND STARBOARD (1 & 2D9046)							
Spares for:—							
7D9046	BOLT, GREASER, ATTACHING JACK TO LEVER, GROUP	1	—	MR	JB22/1211		
28D9046	BOLT, GREASER, ATTACHING LINKS AND STRUTS TO LEVER, GROUP	2	—	MR	JB22/1212		
19D9046	Bush, spacer, 3" dia. x 2-1/2" long	1	DTD364B	MR	JB22/1213		
20D9046	Bush, spacer, 3" dia. x 2" long	1	DTD364B	MR	JB22/1214		
21D9046	Bush, spacer, 3" dia. x 2" long	1	DTD364B	MR	JB22/1215		
22D9046	Bush, spacer, 3" dia. x 2-1/2" long	1	DTD364B	MR	JB22/1216		
23D9046	Bush, 1-3/8" dia. x 1-1/8" long	2	S80	MR	JB22/1217		
27D9046	Bush, 1" dia. x 1/4" long	4	S1	MR	JB22/1218		

VULCAN Mk. 2

FUSELAGE
CENTRE PORTION

Page JB. 71

Ref. No.	Part No.	Description	No. off	Mati. Spec.	Cl. of	Plate and Illust'n No.
					St.	
		1 2 3 4			M.R.	
		MECHANISM, BOMB DOOR, AFT (1 & 2D9046) (Cont'd)				
27QM/1490898	DOWTY 1.02179.023	Jack, port (Mod. 2318)	1	—	A	JB22/1219
27QM/1490895	DOWTY 1.02178.023	Jack, starboard (Mod. 2318)	1	—	A	JB22/1220
	30D9046	LEVER, PORT AND STARBOARD, GROUP	1	—	MR	JB22/1221
		Spares for:—				
1090	4D9046	Bush, 3" dia. x 1-1/4" long	2	B8	C	JB22/1222
21692	24D9046	Bush, 1-3/4" dia. x 1" long	2	S80	C	JB22/1223
	18D9046	LEVER, GROUP	1	—		
		Spares for:—				
	2D9883	Bearing, spherical	2	—		
28N/9156370	SP.21	Nipple, grease	1	—	C	JB22/1224
	25D9046	Piece, extension	1	DTD364B	MR	JB22/1224
26TA/22066	W & S 8SS5880	Plate, securing (No. 8)	2	—		
	17D9046	Pin, jack attachment	2	S99	MR	JB22/1225
	1D9880	STRUT, INBOARD, GROUP	1	—	MR	JB22/1226
		Spares for:—				
	4D9880	END, EYE, GROUP	1	—		
		Spares for:—				
	1D9883	Bearing, spherical	1	—		
26TA/22165	W & S 7SS5880	Plate, securing (No. 7)	1	—		
	2D9880	End, fork	1	L65		
28M/4095935	A27/ST	Nut, lock, R.H.	1	—	C	
	A27/STL	Nut, lock, L.H.	1	—		
	3D9880	Strut	1	L65		
	1D9881	STRUT, OUTBOARD, GROUP	1	—	MR	JB22/1227
		Spares for:—				
	3D9881	End, fork	1	L65	MR	
28M/4095935	A27/ST	Nut, lock, R.H.	1	—	C	
	2D9881	STRUT, GROUP	1	—		
		Spares for:—				
	1D9883	Bearing, spherical	1	—		
26TA/22165	W & S 7SS5880	Plate, securing	1	—		
	24F7753	Washer, for bolt (7D9046)	1	DTD364A	MR	JB22/1228
	25F7753	Washer, for bolt (7D9046)	1	S1		JB22/1229
	29D9046	Washer, link, to lever bolt	1	L72	MR	JB22/1230

FUSELAGE
CENTRE PORTION

Ref. No.	Part No.	Description	No. off	Matl. Spec.	Cl. of St.	Plate and Illust'n No.
					M.R.	
		1 2 3 4				
		MECHANISM, BOMB DOOR, FORWARD, PORT AND STARBOARD (51D9374)				
	7D9046	Spares for:— BOLT, GREASER, ATTACHING JACK ... TO LEVER, GROUP	1	—	MR	JB22/1231
	18D9374	Bracket, lever	2	DTD683		JB22/1232
	19D9374	Bracket, jack	1	DTD683		JB22/1233
	20D9374	Bracket, jack	1	DTD683		JB22/1234
	57D9374	BRACKET, CLIP MOUNTING, GROUP ...	1			JB22/1235
	65D9374	BRACKET, GUARD, GROUP	2	—		JB21/1236
	80D9374	Bracket, inboard for hyd. panel	2	DTD130		
	81D9374	Bracket, outboard, for hyd panel	1	DTD130		
	23D9046	Bush, 1-2/8" dia. x 1-1/8" long	4	S80	MR	JB22/1237
1090	4D9046	Bush	4	B8	C	JB22/1238
1091	16D8839	Bush, spacing	2	L65	C	JB22/1239
	6D8839	Collar, spacing	2	L65	MR	JB22/1240
		CRUTCHING, FORWARD ARRANGEMENT (1D10905)				
		Spares for:— BEAM, CRUTCHING (1D10913)				
	2D10913	Spares for:— BRACKET, CRUTCH, PORT, ... GROUP	1	—		JB21/1241
	3D10913	BRACKET, CRUTCH, STARBOARD, GROUP	1	—		JB21/1242
	2bD10913	Spares for:— Bush	1	S96		
	11D10913	Nut, for adjusting screw	2	S1		
	10D10913	Screw, adjusting	2	S99		
	37D10905	PAD, CRUTCH, GROUP	2	—		
7829	34D10905	Peg, locating	1	S96	C	JB21/1243
		SLIDES, FREON CONNECTION CYLINDERS (1D11979) (Mod. 1075)				
	126D10905	Spares for:— BAR, CROSS, GROUP	1	—		
	1D11940	SLIDE, GROUP	1	—		
	128D10905	Spring	2	DTD215	MR	
	127D10905	Tube	1	L65		
	61D9374	Guard, earth terminal	1	Fibreglass		

FUSELAGE
CENTRE PORTION

Ref. No.	Part No.	Description	No. off	Matl. Spec.	Cl. of	Plate and Illust'n No.
					St. M.R.	
			1	2	3	4
		MECHANISM, BOMB DOOR, FORWARD (51D9374) (Cont'd)				
27QM/1490898	DOWTY 1.02178.023	Jack, starboard (Mod. 2318)	1	-	A	JB22/1244
27QM/1490895	DOWTY 1.02179.023	Jack, port (Mod. 2318)	1	-	A	JB22/1245
	30D9046	LEVER, PORT AND STARBOARD, GROUP (For Spares:-See Page JB. 70)	1	-	MR	JB22/1246
	28D9046	LINKAGE, BOMB DOORS, FORWARD, PORT AND STARBOARD (1 & 2D9201) Spares for:- BOLT, GREASER, GROUP	1	-	MR	JB22/1247
	27D9046	Bush, 1" dia. x 1/4" long	4	S1	MR	JB22/1248
	1D9880	STRUT, INBOARD, GROUP	1	-	MR	JB22/1249
	1D9881	STRUT, OUTBOARD, GROUP	1	-	MR	JB22/1250
	29D9046	Washer, special	1	L72		JB22/1251
28M/4095931	A27/SS	Nut, for bolt (7D9046)	2	-	C	JB22/1252
	7D8839	Pin	4	S99	MR	JB22/1253
	2D8839	Stop, lever	1	DTD683		JB22/1254
21638	60D9374	Terminal, earth	2	S1	C	
	24F7753	Washer, for bolt (7D9046)	2	DTD364A	MR	JB22/1255
	25F7753	Washer, for bolt (7D9046)	2	S1		JB22/1256
	3D8822	MEMBER, DIFFUSION ARRANGEMENT, PORT AND STARBOARD (1 & 2D8822) Spares for:- MEMBER, DIFFUSION, PORT, GROUP ..	1	-		
	4D8822	MEMBER, DIFFUSION, STARBOARD, GROUP	1	-		
	8211	MOUNTING, ACCESS, FOR DORSAL FIN AERIAL (1D9382) (Mod. 542) Spares for:- PANEL, ACCESS, GROUP	1	-	B	JB26/1257
28FP/9491457	AJ4/30	Fastener, Dzus	18	-	C	
28FP/9430915	GA4/250	Grommet, Dzus	18	-	C	
28FP/9430916	S4/200	Spring, Dzus	15	-	C	

FUSELAGE
CENTRE PORTION

Ref. No.	Part No.	Description	No. off	Matl. Spec.	Cl. of	Plate and Illust'n No.
					St. M.R.	
		1 2 3 4				
		STRUCTURE, CENTRE PORTION (D10631) (Cont'd)				
		MOUNTING, PLUGS, QUICK DIS-CONNECTING, IN POWER COMPARTMENT, PORT (1V11410) (Mod. 1417)				
		Spares for:—				
12898	20V11410	DOOR, GROUP (Mod. 1836)	1	—	B	JB25/1258
		Spares for:—				
11632	23fD12159	Bolt, shoot	1	S96	C	JB25/1259
	AS1878/115	Hinge (undrilled)	1	—		JB25/1260
12638	23eD12159	Housing	1	L65	C	JB25/1261
11633	23gD12159	Plate, operating	1	S96	C	JB25/1262
	147SS4700	Spring	1	—		JB25/1263
11637	17V11410	HOUSING, SPRING, GROUP	1	—	B	JB25/1264
		Consisting of:—				
	17bV11410	Cap, end	1	S61		
	17dV11410	Collar	1	S61		
	17aV11410	Housing	1	S61		
28M/1006473	A27/CT	Nut	1	—	C	
	17eV11410	Nut, lock (Made from A27/UT)	1	—		
	17cV11410	Plunger	1	S61		
	5Z7759	Spring	1	—		
	3V11410	PANEL, MOUNTING, C/W LABELS, GROUP	1	—		JB25/1265
5CY/5371	—	Plug	1	—	B	
5CY/4376232	—	Plug, true earth	1	—	B	
	19V9387	Plug (Make from 5CY/4314)	1	—	B	
		MOUNTING, SNATCH TYPE DIS-CONNECTORS, IN POWER COMPARTMENT, STARBOARD (1T5586) (Mod. 1418)				
		Spares for:—				
5CZ/4350489	—	Block, terminal	2	—	C	
	1T5639	BOX ASSEMBLY, GROUP	1	—		JB25/1266
12635	21T5586	DOOR, GROUP	1	—	B	JB25/1267
		Spares for:—				
11632	23fD12159	Bolt, shoot	1	S96	C	JB25/1268
12636	4T5586	Door	1	L72	C	JB25/1269
12637	5T5586	Hinge	1	L59	C	JB25/1270
12638	23eD12159	Housing	1	L65	C	JB25/1271
11633	23gD12159	Plate, operating	1	S96	C	JB25/1272
	147SS4700	Spring	1	—		JB25/1273
	16T5586	Fairlead, half	2	BS2966		JB25/1274

VULCAN Mk. 2

FUSELAGE
CENTRE PORTION

Page JB. 75

Ref. No.	Part No.	Description	No. off	Matl. Spec.	Cl. of	Plate and Illust'n No.
					St. M.R.	
		1 2 3 4				
		MOUNTING, SNATCH TYPE DIS- CONNECTORS (1T5586) (Cont'd)				
11637	17V11410	HOUSING, SPRING, GROUP	1	—	B	JB25/1275
		(For Breakdown—See Page JB. 73)				
10HA/9326	—	Plug and socket, tele-scramble	1	—	B	JB25/1276
10H/2206	—	Socket, mic-tel	1	—	B	JB25/1277
		PANELS, BLANKING, BOMB BAY ROOF, FORWARD OF REAR SPAR (1D11120) (Mod. 542)				
		Spares for:—				
	10D11120	PANEL, GROUP	1	—		
	11D11120	PANEL, GROUP	2	—		
		RIB, BOMB BAY, 63.5", PORT AND STARBOARD (1 & 2F10004)				
		Spares for:—				
9187	91F7896	Bobbin, 2 1/2" dia. x 1-1/4" long	2	DTD364		
	92F7896	Bobbin, 2 1/8" dia. x 1-1/4" long	2	DTD364		
	96F7896	Bobbin, 2-1/8" dia. x 1" long	1	DTD364	C	
	115F7896	Bobbin, 2-1/2" dia. x 1-1/8" long	1	DTD364		
	116F7896	Bobbin, 2-1/4" dia. x 1-1/4" long	1	DTD364		
	1F10025	Boom, top, port	1	DTD363A	MR	
	5F10004	Boom, bottom, port	1	DTD364B	MR	JB24/1278
	2F10025	Boom, top, starboard	1	DTD363A	MR	
	6F10004	Boom, bottom, starboard	1	DTD364B	MR	JB24/1279
12516	555F10004	BRACKET, HOISTING, GROUP	1	—	C	JB24/1280
12517	556F10004	BRACKET, HOISTING, GROUP	1	—	C	JB24/1281
12518	557F10004	BRACKET, HOISTING, GROUP	1	—	C	JB24/1282
12519	558F10004	BRACKET, HOISTING, GROUP	1	—	C	JB24/1283
12520	559F10004	BRACKET, HOISTING, GROUP	1	—	C	JB24/1284
9440	105F7896	Intercostal, R H., port	1	L72	C	
	106F7896	Intercostal, L H., port	1	L72		
		MOUNTING, ENGINE TRUNNION, PORT AND STARBOARD (1 & 203795) (See Power Installation—Engine Mounting and Hoisting)				
9438	55F9615	Plate, stiffening, port	1	L72	C	
9439	113F8615	Plate, lever support, port	1	L72	C	
	567F10004	Plate, reinforcing, port (Mod. 2080)	1	—		
	568F10004	Plate, reinforcing, starboard (Mod. 2080) ..	1	—		
	569F10004	Plate, reinforcing, port (Mod. 2080)	1	—		
	570F10004	Plate, reinforcing, starboard (Mod. 2080) ..	1	—		
26FP/13043	1SS3259	Plate, mod.	1	—	C	
26FP/13044	1SS3260	Plate, serial	1	—	C	

FUSELAGE
CENTRE PORTION

Ref. No.	Part No.	Description	No. off	Matl. Spec.	Cl. of	Plate and Illust'n No.
					St. M.R.	
		1 2 3 4				
		STRUCTURE, CENTRE PORTION (D10631) (Cont'd)				
		RIB, 63.5", FORWARD OF FRONT SPAR, PORT AND STARBOARD (29 & 30F7759)				
		Spares for:-				
	3F7759	Boom, top, port	1	DTD363A	MR	
	4F7759	Boom, top, starboard	1	DTD363A	MR	
	1F10688	Boom, bottom, port	1	DTD363A	MR	JB24/1285
	2F10688	Boom, bottom, starboard	1	DTD363A	MR	JB24/1286
		RIB, 63.5", AFT PORTION, PORT AND STARBOARD (34 & 35F8063)				
		Spares for:-				
	3F8063	Boom, top, port	1	DTD363A	MR	
	4F8063	Boom, top, starboard	1	DTD363A	MR	
	5F8063	Boom, bottom, port	1	DTD363A	MR	JB24/1287
	6F8063	Boom, bottom, starboard	1	DTD363A	MR	JB24/1288
	47F8063	Panel, access	1	L72		
		RIB, CENTRE ENGINE 113.3", PORT AND STARBOARD (1 & 2F10005)				
		Spares for:-				
	11SS3555	Adaptor, special	1	-	MR	JB24/1289
		BEARING FOR R.A.T.O.G. SPIGOT, PORT AND STARBOARD (196F10005)				
		Spares for:-				
	191F10005	Bearing, spherical	1	BSS369		JB27/1290
	194F10005	Bolt, special	1	S93		JB27/1291
	301F8496	Pin, retaining	1	S1		JB27/1292
6139	11.O.3733	PLATE, COVER, GROUP	1	-	C	JB27/1293
	FJ4/150	Spares for:- Fastener, dzus	1	-		
13532	197F10005	Angle, attachment	2	L72	C	
	325F8496	Block, lifting	2	S1 or S93		
	15F10005	Boom, top	1	DTD687	MR	
	16F10005	Boom, bottom	1	DTD687	MR	JB24/1294
12521	235F10005	BRACKET, HOISTING, GROUP	1	-	C	JB24/1295
12522	236F10005	BRACKET, HOISTING, GROUP	1	-	C	JB24/1296
12523	237F10005	BRACKET, HOISTING, GROUP	1	-	C	JB24/1297
12524	238F10005	BRACKET, HOISTING, GROUP	1	-	C	JB24/1298
12525	239F10005	BRACKET, HOISTING, GROUP	1	-	C	JB24/1299
10941	17T3722	BRACKET, CLIP, GROUP	8	-	C	JB24/1300

VULCAN Mk. 2

FUSELAGE
CENTRE PORTION

Page JB. 77

Ref. No.	Part No.	Description	No. off	Mati. Spec.	Cl. of	Plate and Illust'n No.
					St. M.R.	
		1 2 3 4				
		RIB, CENTRE ENGINE 113.3", PORT AND STARBOARD (1 & 2F10005) (Cont'd)				
13535	208F8496	Channel, port and starboard, 20G x 4-3/4" x 8-1/2" long	1	L72		
	150F10005	Channel, 16G x 0.75" x 0.75" x 5' long . . .	1	L72	C	
	155F8496	FAIRLEAD, AFT OF FRONT SPAR, PORT, AND STARBOARD, GROUP	1	—		JB24/1301
	156F8496	FAIRLEAD, AFT OF FRONT SPAR, PORT, GROUP	1	—		JB24/1302
	157F8496	FAIRLEAD, AFT OF FRONT SPAR, STARBOARD, GROUP	1	—		JB24/1303
		MOUNTING, ENGINE TRUNNIONS, PORT AND STARBOARD (1 & 2.O.3793) (See Power Installation—Engine Mounting and Hoisting)				
26FP/13043	1SS3259	Plate, mod	1	—	C	
26FP/13044	1SS3260	Plate, serial	1	—	C	
	189F10005	Stiffener, channel	1	L72	MR	
	190F10005	Stiffener, channel	1	L72	MR	
	31F8496	Stiffener, "Z" section	1	L72	MR	
	32F8496	Stiffener, "Z" section	1	—	MR	
	33F8496	Stiffener, "Z" section	1	—	MR	
	34F8496	Stiffener, "Z" section	1	—	MR	
	35F8496	Stiffener, "Z" section	1	—	MR	
	142F10005	Stiffener, "Z" section	1	—	MR	
13507	143F10005	Stiffener, "Z" section	1	—	MR	
	170F10005	Stiffener, "Z" section	1	—	C	
		STRUCTURE, AIRBRAKE, PORT AND STARBOARD (13 & 14F10005) Spares for:—				
	66F8496	Channel, 20G x 4-3/4" x 12" long	1	L72		
10114	1SS1585	Tab, locking, for adaptor	1	—	C	
		RIB, 113.3", AFT OF REAR SPAR, PORT AND STARBOARD (33 & 40F8051) (Mod. 569) Spares for:—				
	25F8051	Boom, bottom, port	1	DTD364B	MR	JB24/1304
	27F8051	Boom, top, port	1	DTD364B	MR	
	28F8051	Boom, top, starboard	1	DTD364B	MR	
	39F8051	Boom, bottom, starboard	1	DTD364B	MR	JB24/1305

FUSELAGE
CENTRE PORTION

Ref. No.	Part No.	Description				No. off	Mati. Spec.	Cl. of	Plate and Illust'n No.
		1	2	3	4			St. M.R.	
		STRUCTURE, CENTRE PORTION (D10631) (Cont'd)							
		RIB, TRANSPORT, 162.5", PORT AND STARBOARD (1 & 2F10006) Spares for:—							
		BEAM, MAIN U/C BEARING AND CAP, PORT AND STARBOARD (7 & 8K2751) (See Alighting Gear—Main Undercarriage)							
		BEAM, DRAG LINK BEARING, PORT AND STARBOARD (11 & 12K2751) (See Alighting Gear—Main Undercarriage)							
	358F10006	Block, rubbing (Mod. 1458)				2	BSS2572	C	
	226F8435	Bolt, eye, for jury strut				1	DTD364B	MR	JB24/1306
	128F8435	Bolt, special, 3/8" dia. at forward jacking pad				2	S96	C	JB24/1307
	129F8435	Bolt, special, 3/8" dia. at rear main jacking point				1	S96	MR	JB24/1308
22851	130F8435	Bolt, special, 3/8" dia. at rear auxiliary jacking point				6	S96	C	JB24/1309
	131F8435	Bolt, special, 3/8" dia. at rear auxiliary jacking point				2	S96		JB24/1310
	139F8435	Bolt, special, 7/16" dia. at rear main jacking point				1	S96	MR	JB24/1311
	141F8435	Bolt, special, 7/16" dia. at forward jacking pad				2	S96		JB24/1312
	411F8435	Bolt, special, 7/16" dia. at rear main jacking point				1	H.T.S.	MR	JB24/1313
	5Z6845	Bolt, special, 1/4" dia. at rear jacking points				4	H.T.S.	MR	JB24/1314
11019	11F8504	Bolt, at rear main jacking point (Made from A25/2E)				2	—	C	JB24/1315
	3F8435	Boom, top, port				1	DTD363A	MR	
	4F8435	Boom, top, starboard				1	DTD363A	MR	
	267F10006	Boom, bottom, port				1	DTD363A	MR	JB24/1316
	268F10006	Boom, bottom, starboard				1	DTD363A	MR	JB24/1317
1433316	3Z10800	Bracket, mounting (Mod. 2000)				1	—	C	
	401F8435	Bracket, window launching unit, port				1	L65	MR	JB24/1318
21044	402F8435	Bracket, window launching unit, starboard				1	L65	MR	JB24/1319
	233F10006	Bracket, hinge, forward door, station 68.42", port				1	S96	C	JB23/1320
21045	234F10006	Bracket, hinge, forward door, station 68.42", starboard				1	S96	C	JB23/1321
21042	235F10006	Bracket, hinge, forward door, station 84.71", port and station 111.63", starboard				1	S96	C	JB23/1322
21043	236F10006	Bracket, hinge, forward door, station 111.63", port and station 84.71", starboard				1	S96	C	JB23/1323
21041	237F10006	Bracket, hinge, forward door, station 97.76", port and starboard				1	S96	C	JB23/234

VULCAN Mk. 1

FUSELAGE
CENTRE PORTION

Page JB. 79

Ref. No.	Part No.	Description	No. off	Matl. Spec.	Cl. of	Plate and Illust'n No.
					St. M.R.	
		1 2 3 4				
RIB, TRANSPORT, 162.5", PORT AND STARBOARD (1 & 2F10006) (Cont'd)						
21039	238F10006	Bracket, hinge, forward and centre doors, . . . stations 124.73", starboard and 133.19", port	1	S96	C	JB23/1325
21040	239F10006	Bracket, hinge, forward and centre doors, . . . stations 124.73", port and 133.19", starboard	1	S96	C	JB23/1326
21051	240F10006	Bracket, hinge, centre and rear doors, stations 144.4" and 2.47", starboard	1	S96	C	JB23/1327
21050	241F10006	Bracket, hinge, centre and rear doors, stations 144.4" and 2.47", port	1	S96	C	JB23/1328
21049	242F10006	Bracket, hinge, centre door, station 155-63", port and starboard	1	S96	C	JB23/1329
21057	243F10006	Bracket, hinge, centre door, station 164.55", port and starboard	1	S96	C	JB23/1330
21056	244F10006	Bracket, hinge, centre door, station 173.47", starboard	1	S96	C	JB23/1331
21055	245F10006	Bracket, hinge, centre door, station 173.47", port	1	S96	C	JB23/1332
21054	246F10006	Bracket, hinge, rear door, station 191", starboard	1	S96	C	JB23/1333
21053	247F10006	Bracket, hinge, rear door, station 191", port	1	S96	C	JB23/1334
21052	248F10006	Bracket, hinge, rear door, station 204.28", . . . port and starboard	1	S96	C	JB23/1335
21047	249F10006	Bracket, hinge, rear door, station 219.78", port	1	S96	C	JB23/1336
21048	250F10006	Bracket, hinge, rear door, station 219.78", port and starboard	1	S96	C	JB23/1337
Attachments, Brackets (233 to 251 F10006) inclusive						JB23/1338
28D/1213738	A30/12E	Bolt	8	—	C	
28D/1213739	A30/13E	Bolt	8	—	C	
28D/1213740	A30/14E	Bolt	4	—	C	
28D/1213741	A30/15E	Bolt	8	—	C	
28D/1213743	A30/17E	Bolt	4	—	C	
28D/1213744	A30/18E	Bolt	4	—	C	
28D/1213747	A30/21E	Bolt	8	—	C	
28D/1213748	A30/22E	Bolt	8	—	C	
28D/1213750	A30/24E	Bolt	4	—	C	
28D/1213751	A30/25E	Bolt	4	—	C	
28M/1007403	A27/ET	Nut	60	—	C	
28W/9418920	SP10/E	Washer	60	—	C	
12526	352F10006	BRACKET, HOISTING, GROUP	1	—	C	JB24/1339
12527	353F10006	BRACKET, HOISTING, GROUP	1	—	C	JB24/1340
12528	354F10006	BRACKET, HOISTING, GROUP	1	—	C	JB24/1341
12529	355F10006	BRACKET, HOISTING, GROUP	1	—	C	JB24/1342
12530	356F10006	BRACKET, HOISTING, GROUP	1	—	C	JB24/1343

FUSELAGE
CENTRE PORTION

Ref. No.	Part No.	Description	No. off	Matl. Spec.	Cl. of	Plate and Illust'n No.
					St. M.R.	
		1 2 3 4				
		RIB, TRANSPORT, 162.5", PORT AND STARBOARD (1 & 2F10006) (Cont'd)				
	253F8435	Bracket, mounting, main U/C door catch, . . rear port	1	DTD88C		JB24/1344
	254F8435	Bracket, mounting, main U/C door catch, . . rear starboard	1	DTD88C		JB24/1345
	337F8435	Bracket, mounting, main U/C door catch, . . forward, port	1	DTD683		JB24/1346
	338F8435	Bracket, mounting, main U/C door catch, . . forward, starboard	1	DTD683		JB24/1347
8820	8F8774	Bracket, strut attachment	3	DTD88C	C	JB24/1348
1060	9F8502	CAP, SEALING, AUXILIARY JACKING . . POINT, FORWARD, PORT, GROUP	1	—	C	JB24/1349
	10F8502	CAP, SEALING, AUXILIARY JACKING . . POINT, FORWARD, STARBOARD, GROUP	1	—	MR	JB24/1350
1059	14F8504	Spares for:— Bolt, special	1	H.T.S.	C	JB24/1351
	413F8435	CAP, SEALING, MAIN AND AUXILIARY JACKING POINTS, PORT AND STARBOARD, GROUP	2	—		JB24/1352
	414F8435	Spares for:— Bolt, special	1	H.T.S.	C	JB24/1353
7808	120F10006	CATCH, ROLLER, REAR STARBOARD, . . GROUP	1	—	C	JB24/1354
7809	121F10006	CATCH, ROLLER, REAR PORT, GROUP	1	—	B	JB24/1355
7810	77F10006	Spares for:— Bolt, roller attachment	1	S80	C	JB24/1356
	118F10006	Bracket, starboard	1	S96		JB24/1357
	119F10006	Bracket, port	1	S96		JB24/1358
7811	76F10006	Roller	1	Monel	C	JB24/1359
12578	265F10006	CATCH, ROLLER, FORWARD, PORT . . . GROUP	1	—	B	JB24/1360
12579	266F10006	CATCH, ROLLER, FORWARD, STAR- . . . BOARD, GROUP	1	—	B	JB24/1361
7810	77F10006	Spares for:— Bolt, roller attachment	1	S80	C	JB24/1362
	263F10006	Bracket, port	1	S96		JB24/1363
	264F10006	Bracket, starboard	1	S96		JB24/1364
7811	76F10006	Roller	1	Monel	C	JB24/1365
13594	328F8435	Channel, attachment	1	L72	C	JB24/1366
		MOUNTING, ENGINE TRUNNIONS, PORT AND STARBOARD (1 & 2.O.3794) (See Power Installation—Engine Mounting and Hoisting)				

VULCAN Mk. 2

FUSELAGE
CENTRE PORTION

Page JB. 81

Ref. No.	Part No.	Description	No. off	Matl. Spec.	Cl. of	Plate and Illust'n No.
					St.	
		1 2 3 4				
		RIB, TRANSPORT, 162.5", PORT AND STARBOARD (1 & 2F10006) (Cont'd)				
1505139	381F10006	Mounting, pad, forward ancillary jacking . . . point, port (Mod. 2245)	1	—	C	
1505140	382F10006	Mounting, pad, forward ancillary jacking . . . point, starboard (Mod. 2245)	1	—	C	
	383F10006	Mounting, pad, aft main jacking point, . . . port (Mod. 2245)	1	—	MR	
	384F10006	Mounting, pad, aft main jacking point, . . . starboard (Mod. 2245)	1	—	MR	
1433937	380F10006	Mounting, pad, aft ancillary jacking point, . port and starboard (Mod. 2245)	1	—	C	
1433317	4Z10800	PAD, PROTECTIVE (Mod. 2000)	1	—	C	
		Spares for:—				
	6Z10800	Bolt, special	1	—	C	
	7Z10800	Pad	1	—	C	
21058	319F10006	Pad, stop	2	L65	C	
	256F10005	Plate, blanking (Mod. 1725)	2	L72	C	
26FP/13043	1SS3259	Plate, mod.	1	—	C	
26FP/13044	1SS3260	Plate, serial	1	—	C	
	221F8435	POINT, RIGGING, PORT AND STARBOARD, GROUP	2	—		JB24/1367
		Spares for:—				
1510285	224F8435	Screw, special	1	S1		JB24/1368
	400F8435	Stop	2	L72		
		STOWAGE, GROUND LOCK MAIN U/C, PORT AND STARBOARD (1 & 2Z9526)				
		Spares for:—				
1510541	3Z9526	Bracket, forward bottom port	1	—	C	JB24/1369
	4Z9526	Bracket, forward bottom starboard	1	—		JB24/1370
	5Z9526	Bracket, rear bottom port	1	—		JB24/1371
	6Z9526	Bracket, rear bottom starboard	1	—		JB24/1372
	1Z9527	BRACKET, TOP, PORT, GROUP	1	—		JB24/1373
	2Z9527	BRACKET, TOP, STARBOARD, GROUP	1	—		JB24/1374
		Spares for:—				
	5Z9527	Clip, for strap	1	L72		
	6Z9527	Strap, 1/8" x 1" x 9.17" long	1	Leather		
	132F8435	Stud, special	1	S96		
	1SS4052	Terminal, earth	1P	—		JB24/1375
			2S			
	SS4088	Terminal, earth	1S	—	MR	JB24/1376
	335F9705	Washer, special	8	—	MR	JB24/1377

FUSELAGE
CENTRE PORTION

Ref. No.	Part No.	Description	No. off				Matl. Spec.	Cl. of St. M.R.	Plate and Illust'n No.
			1	2	3	4			
		STRUCTURE, CENTRE PORTION (D10631) (Cont'd)							
		RIB, 162.5", AFT PORTION, PORT AND STARBOARD (91 & 76F8052)							
		Spares for:-							
	11F8052	Boom, bottom, port	1			DTD364B	MR	JB24/1378	
	12F8052	Boom, bottom, starboard	1			DTD364B	MR	JB24/1379	
	13F8052	Boom, top, port	1			DTD364B	MR		
	14F8052	Boom, top, starboard	1			DTD364B	MR		
		FAIRING, ELEVATOR, PORT AND STARBOARD (1 & 2F 10601)							
		Spares for:-							
21992	21F10601	Fairing, port	1			L72		JB26/1380	
	22F10601	Fairing, starboard	1			L72		JB26/1381	
	90F8052	Panel, access, port, rear	1			L72	MR	JB26/1382	
	95F8052	Panel, access, port, centre	1			L72	MR	JB26/1383	
	96F8052	Panel, access, port, forward	1			L72	MR	JB26/1384	
		SKINNING, UNDERSIDE NO. 1 TANK COMPARTMENT (12D9449)							
		Spares for:-							
	83D9449	Bracket, at former 101F" for fairlead	1			L72			
	102D9449	Bracket, mounting, for emergency air valve ..	1			L72			
	75D9449	Fairing	1			L72			
	84D9449	Fairlead, half, on bracket (83D9449)	2			BSS668			
	91D9449	Fairlead, half, between stations 86.5F"	2			BSS972			
		and 101F", starboard							
	92D9449	Fairlead, half, at station 130F"	2			BSS972			
	146D9449	Fairlead, half, at station 130F", starboard ..	2			BSS2966			
2026	26D9449	PANEL, ACCESS, BETWEEN FORMERS 86.5F" AND 101F", CENTRE, GROUP	1			-	C	JB27/1385	
2027	27D9449	PANEL, access, between formers 145.25F" and 160.5F", centre	1			L72	C	JB27/1386	
2028	33D9449	Panel, access, between formers 115.5F" and 130F", centre	1			L72	C	JB27/1387	
2029	39D9449	Panel, access, between formers 175F" and 189.5F", centre	1			L72	C	JB27/1388	
2031	58D9449	Panel, access, between formers 86.5F" and 101F", starboard	1			L72	C	JB27/1389	
2030	78D9449	Panel, access, between formers 101F" and 115.5F", centre	1			L72		JB27/1390	
21765	107D9449	Panel, access, outboard, port and starboard ..	7			L72	MR	JB27/1391	
	160D9449	Panel, access, between formers 130F" and 145.5F", port	1			L72		JB27/1392	
	46SS3221	Panel, access, 5-1/2" dia	6			L72	MR	JB27/1393	

FUSELAGE
CENTRE PORTION

Ref. No.	Part No.	Description	No. off	Matl. Spec.	Cl. of St.	Plate and Illust'n No.
					M.R.	
		1 2 3 4				
		STRUCTURE, CENTRE PORTION (D10631) (Cont'd)				
	115D9449	PANEL, ACCESS, BETWEEN FORMERS 175F" AND 189.5F", INBOARD AND OUTBOARD, GROUP	2	—		JB27/1394
21764	135D9449	Plate, door, between formers 160.5F" and 189.5F", starboard	1	L72	C	JB27/1395
		SKINNING, CENTRE PORTION, TOP AND BOTTOM, PORT AND STARBOARD (1 & 42D10640) (Mod. 569) Spares for:—				
	2SS5206	Bung, expanding, port and starboard	1	—	MR	JB26/1396
		DOORS, ACCESS, FUEL LEVEL SWITCH AND TANK TERMINAL BOX, PORT AND STARBOARD (1 & 2D9149) Spares for:—				
	5D9149	DOOR, ACCESS, FOR FUEL LEVEL SWITCH, GROUP	1	—	MR	JB26/1397
	6D9149	DOOR, ACCESS, FOR TANK TERMINAL BOX, GROUP	1	—	MR	JB26/1398
	192SS6001	Label, level switch	1	—		
	193SS6001	Label, terminal box	1	—		
28D/9133012	A25/3C	Attachments, Panels (5 & 6D9149) Bolt, 2 BA	14	—	C	
9998	196D9450	DOOR, ACCESS, FOR R.A.T.O. GROUND OPERATING RELEASE, PORT AND STARBOARD, GROUP Spares for:—	2	—	B	JB27/1399
	AS3179/1	Door, access, and retaining ring	1	—	MR	JB27/1300
	449D10640	Packing, L.H. (Mod. 2189)	1	—		
	450D10640	Packing, R.H. (Mod. 2189)	1	—		
	180D9450	PANEL, ACCESS, FOR EMERGENCY DE-FUELLING BETWEEN FORMERS 201.376A" AND 225.227A" TOP (Pre-Mod. 996)	1	—		JB26/1401
		PANELS, ACCESS, FOR EXAMINATION OF JET PIPE RINGS (1F13378) (Mod. 2476) Spares for:—				
23017	2F13378	Panel, access, No. 1 aft	1	—	C	JB27/1996
23018	3F13378	Panel, access, No. 2 aft	1	—	C	JB27/1997
23019	4F13378	Panel, access, No. 3 aft	1	—	C	JB27/1998
23020	5F13378	Panel, access, No. 4 aft	1	—	C	JB27/1999
23021	6F13378	Panel, access, No. 1 fuel	1	—	C	JB27/2000
23022	7F13378	Panel, access, No. 2 fuel	1	—	C	JB27/2001
23023	8F13378	Panel, access, No. 3 fuel	1	—	C	JB27/2002
23024	9F13378	Panel, access, No. 4 fuel	1	—	C	JB27/2003

FUSELAGE
CENTRE PORTION

Ref. No.	Part No.	Description	No. off	Matl. Spec.	Cl. of St.	Plate and Illust'n No.
					M.R.	
		1 2 3 4				
		Attachments, panels (2 to 9F13378)				
	AS1248-1C	Bolt, 2BA	184			
	AGS2008C1	Nut, anchor	184			
23025	10F13378	Strap, seating, No's. 1 & 3 aft	2	—	C	
23026	11F13378	Strap, seating, No's. 2 & 4 aft	2	—	C	
23027	12F13378	Strap, seating, No's. 1 & 3 aft	2	—	C	
23028	13F13378	Strap, seating, No's. 2 & 4 aft	2	—	C	
23029	14F13378	Strap, seating, No's. 1 & 3 fwd.	2	—	C	
23030	15F13378	Strap, seating, No's. 2 & 4 fwd.	2	—	C	
23031	16F13378	Strap, seating, No's. 1 & 3 fwd.	2	—	C	
23032	17F13378	Strap, seating, No's. 2 & 4 fwd.	2	—	C	
11946	231D10640	Panel, skin, engine bay, top surface	1	L72	C	JB26/1402
		between intercostals 25 & 29 port				
	232D10640	Panel, skin, engine bay, top surface	1	L72	MR	JB26/1403
		between intercostals 25 & 29 stbd.				
	233D10640	Panel, skin, engine bay, top surface	1	L72	MR	JB26/1404
		between intercostals 29 & 32 port				
	234D10640	Panel, skin, engine bay, top surface	1	L72	MR	JB26/1405
		between intercostals 29 & 32 stbd.				
	235D10640	Panel, skin, engine bay, top surface	1	L72	MR	JB26/1406
		between intercostals 32 & 35 port				
	236D10640	Panel, skin, engine bay, top surface	1	L72	MR	JB26/1407
		between intercostals 32 & 35 stbd.				

FUSELAGE
CENTRE PORTION

Ref. No.	Part No.	Description	No. off	Mati. Spec.	Cl. of	Plate and Illust'n No.
					St.	
		1 2 3 4			M.R.	
		SKINNING, CENTRE PORTION, TOP AND BOTTOM (1 & 42D10640) (Cont'd)				
11952	237D10640	Panel, skin, engine bay top, surface between intercostals 35 and 39, port	1	L72	C	JB26/1408
	238D10640	Panel, skin, engine bay top surface, between intercostals 35 and 39, starboard	1	L72	MR	JB26/1409
11954	239D10640	Panel, skin, engine bay top surface, between intercostals 39 and 42, port	1	L72	C	JB26/1410
11955	240D10640	Panel, skin, engine bay top surface, between intercostals 39 and 42, starboard	1	L72	C	JB26/1411
	81D8734	Panel, skin, bottom surface, forward of rear spar at rib 63.5	1	L72	MR	JB27/1412
10748	146D9450	Panel, skin, bottom surface in airbrake area, port	1	DTD687	C	JB27/1413
10749	147D9450	Panel, skin, bottom surface in airbrake area, starboard	1	DTD687	C	JB27/1414
	447D10640	Plate, inner strap L.H. (Mod. 2189)	1	—		
	448D10640	Plate, inner strap R.H. (Mod. 2189)	1	—		
		VENTILATION OF POWER COMPARTMENT (D13805) (S.O.O. Mod. 2290)				
		Spares for:—				
	3D13805	INTAKE, AIR, GROUP	2	—	—	
	45D10366	LOUVRE, GROUP	2	—	—	
		SPAR, FRONT, CRANKED CENTRE SECTION (1F10360)				
		Spares for:—				
		(BOLTS AT CENTRE JOINT)				
	111F9844	Bolt, special, 1" dia. x 4.03"	2	S99	MR	JB21/1415
	113F9844	Bolt, special, 0.875" dia. x 3.84"	2	S99	MR	JB21/1416
	115F9844	Bolt, special, 0.875" dia. x 3.68"	2	S99	MR	JB21/1417
	118F9844	Bolt, special, 0.75" dia. x 3.34"	2	S99	MR	JB21/1418
		(BOLTS AT INBOARD JOINT RIB 63.5" BOTTOM BOOM, PORT AND STARBOARD)				
	112F9844	Bolt, special, 1" dia. x 3.93"	2	S99	MR	JB18/1419
	114F9844	Bolt, special, 0.875" dia. x 3.81"	2	S99	MR	JB18/1420
	116F9844	Bolt, special, 0.875" dia. x 3.67"	2	S99	MR	JB18/1421
	117F9844	Bolt, special, 0.75" dia. x 3.45"	4	S99	MR	JB18/1422
	168F9844	Bolt, special, 0.5" dia. x 2.7"	2	S99	MR	JB18/1423
		(BOLTS AT OUTBOARD JOINT, RIB 162.5", TOP AND BOTTOM BOOMS, PORT AND STARBOARD)				
	272F8505	Bolt, special, top, 1.25" dia. x 5.85"	2	S99	MR	JB20/1424
	273F8505	Bolt, special, bottom, 1.25" dia. x 6.59"	2	S99	MR	JB20/1425
	274F8505	Bolt, special, top, 1" dia. x 5.11"	2	S99	MR	JB20/1426
	275F8505	Bolt, special, bottom, 1" dia. x 5.56"	1	S99	MR	JB20/1427
	276F8505	Bolt, special, top, 0.75" dia. x 4.38"	2	S99	MR	JB20/1428
	277F8505	Bolt, special, bottom, 0.75" dia. x 4.63"	2	S99	MR	JB20/1429
	101F9844	Bolt, special, inboard joint rib 63.5", 1-1/8" dia. x 2.7" long	2	S99	MR	JB18/1430

FUSELAGE
CENTRE PORTION

Ref. No.	Part No.	Description	No. off	Matl. Spec.	Cl. of St.	Plate and Illust'n No.
					M.R.	
		1 2 3 4				
		SPAR, FRONT, CRANKED CENTRE SECTION (1F10360) (Cont'd)				
	204F8505	Bolt, special, top and bottom booms, outboard, port and starboard, 0.25" dia. x 0.36" long	4	S96	MR	
	215F8505	Bolt, special, top and bottom booms, outboard, port and starboard, 0.375" dia. x 0.75" long	6	S96	MR	
	280F8505	Bolt, special, for bracket outboard, top boom, port and starboard	2	S99		
	281F8505	Bolt, special, for bracket, outboard, bottom boom, port and starboard	2	S99		
	35F11310	Bolt, special, bottom boom, outboard, port and starboard	2	—	MR	
11373	241F9844	Bolt, special, inboard rib joint, rib 63.5" . . .	2	S94	MR	JB18/1431
	242F9844	Bolt, special, inboard rib joint, rib 63.5" . . .	2	S94	MR	JB18/1432
	9D10995	Bolt, eye	2	L65	MR	
	5F9844	Boom, centre, bottom, L.H.	1	DTD363A	MR	
	6F9844	BOOM, centre, bottom, R.H.	1	DTD363A	MR	
	7F9844	Boom, outboard bottom, port	1	DTD363A	MR	
	8F9844	Boom, outboard bottom, starboard	1	DTD363A	MR	
	220F9844	Bush, fibreglass, for bolt (10F9844)	2	DTD5518	MR	JB18/1433
	278F8505	Bush, at shackle, top boom outboard, port and starboard	2	S96 or T90	MR	JB20/1434
	279F8505	Bush, at shackle, bottom boom outboard, . . port and starboard	2	S96 or T90	MR	JB20/1435
	18F8494	CAP, SEALING, JACKING POINT, GROUP	2	—	MR	JB19/1436
		Spares for:—				
1059	14F8504	Bolt	1	S1	C	
	18aF8494	Stud (Make from A28/10C)	—	—		
	7F12388	Channel, reinforcing (Mod. 2248)	1	—		
	60S1927	FAIRLEAD AT RIB 63.5, PORT AND STARBOARD, BOTTOM, GROUP	2	—		
	134F9844	Forging, joint, rib 162.5", top, port	1	DTD683	MR	JB20/1437
	135F9844	Forging, joint, rib 162.5", top, starboard . .	1	DTD683	MR	JB20/1438
	149F10360	Forging, joint, rib 162.5", bottom, port . . . (Mod. 729)	1	S96	MR	JB20/1439
	150F10360	Forging, joint, rib 162.5", bottom, starboard (Mod. 729)	1	S96	MR	JB20/1440
	87F9844	Forging, joint, rib 63.5", forward, port	1	S99	MR	JB18/1441
	88F9844	Forging, joint, rib 63.5", forward, starboard	1	S99	MR	JB18/1442
	89F9844	Forging, joint, rib 63.5", aft, port	1	S99	MR	JB18/1443
	90F9844	Forging, joint, rib 63.5", aft, starboard	1	S99	MR	JB18/1444
2374	30F7753	Nut, for bolts (276 & 277F8505)	4	S96	MR/C	JB20/1445
	26F7753	Nut, for bolts (274 & 275F8505)	4	S96	MR	JB20/1446
	44F7752	Nut, for bolt (281F8505)	2	S1	MR	JB20/1447
3888	45F7752	Nut, for bolts (272 & 273F8505)	4	S96	MR/C	JB20/1448
	104F9844	Nut, for bolt (101F9844)	2	S1	MR	JB18/1449

FUSELAGE
CENTRE PORTION

Ref. No.	Part No.	Description	No. off	Mtrl. Spec.	Cl. of St.	Plate and Illust'n No.
					M.R.	
		1 2 3 4				
SPAR, FRONT, CRANKED CENTRE SECTION (1F10360) (Cont'd)						
26FP/14845	27F9844	Plate, joint, centre, forward	1	S99	MR	
	28F9844	Plate, joint, centre, aft	1	S99	MR	
	AS2917	Plate, mod.	1	—	MR	
	AS2916	Plate, serial	1	—	C	
	17F8775	Plate, rubbing, at outboard joint shackles .. top and bottom, port and starboard	4	L72	MR	
	166F9844	Plate, rubbing, at outboard joint aft, port .. and starboard	1	L72	MR	
	167F9844	Plate, rubbing, at centre joint, aft	1	L72	MR	
	18F8775	Plate, rubbing, at outboard transport	1	—	MR	
		joint, top, aft, port and starboard				
	19F8775	Plate, rubbing, at outboard transport	1	—	MR	
		joint, bottom, aft, port and starboard				
	33F8775	Plate, reinforcing, at outboard transport ...	1	S99	MR	
	34F8775	Plate, reinforcing, at outboard transport ...	1	S99	MR	
		joint, top forward, port and starboard				
	35F8775	Plate, reinforcing, at outboard transport ...	1	S99	MR	
		joint, bottom, aft, port and starboard				
	36F8775	Plate, reinforcing, at outboard transport ...	1	S99	MR	
	joint, bottom, forward, port and starboard					
	2F12885	Plate, reinforcing (Mod. 2248)	1	—		
	3F12885	Plate, reinforcing (Mod. 2249)	1	—		
	2F9252	Plate, tank button	46	L72	MR	
	31F8775	Shackle, joint, top boom, port and	1	S99	MR	JB20/1450
		starboard				
	32F8775	Shackle, joint, bottom boom, port and	1	S99		JB20/1451
		starboard				
STRUCTURE, BOMB DOOR MECHANISM (33D9028)						
Spares for:—						
20722 20724	36D9028	Bracket, lever	2	DTD683		
	37D9028	Bracket, jack, port	1	DTD683	C	
	38D9028	Bracket, jack, starboard	1	DTD683	C	
	16D9028	Plate, bearing	2	DTD364B	MR	
STRUCTURE FOR STEP AT FRONT SPAR (1Z9429)						
Spares for:—						
	10Z9429	STEP ASSEMBLY, GROUP	1	—		JB21/1452
Spares for:—						
	5Z9429	STEP, GROUP	1	—		
	8Z9429	Tube, support assy.	2	L54		
	4Z9429	Tread (pyramid matting)	1	—		

FUSELAGE
CENTRE PORTION

Ref. No.	Part No.	Description	No. off	Matl. Spec.	Cl. of	Plate and Illust'n No.
					St. M.R.	
		1 2 3 4				
SPAR, FRONT, CRANKED CENTRE SECTION (1F10360) (Cont'd)						
3891	100F7500	Washer, for bolts (168F9844)	2	-		JB18/1453
	29F7753	Washer, for bolts (117 & 118F9844)	6	S1	MR	JB18/1454
	71F8505	Washer, for bolts (276 & 277F8505)	8	S1	C	JB20/1455
3892	72F8505	Washer, for bolts (274 & 275F8505)	8	S1	C	JB20/1456
3893	73F8505	Washer, for bolts (272, 273, 280 & 281F8505)	12	S1	C	JB20/1457
	22F8775	Washer, for bolts (117 & 118F9844 and 275 & 276F8775)	14	DTD130		JB18/1458
1433433	6SS4666	Washer	4	-	MR	JB18/1459
	7SS4667	Washer	4	-	C	JB18/1460
	23F8775	Washer, for bolts (274 & 275F8505 and 111 & 112F9844)	12	DTD130		JB18/1461
	24F8775	Washer, for bolts (272 & 273F8505)	8	DTD130		JB20/1462
	26F8775	Washer, for bolts (280 & 281F8505)	4	-		JB20/1463
	103F9844	Washer, for bolts (101F9844)	4	L72		JB18/1464
	120F9844	Washer, for bolts (111 & 112F9844)	4	S1		JB18/1465
	121F9844	Washer, for bolt (114, 115 & 116F9844)	6	S1		JB18/1466
	170F9844	Washer, for bolt (101F9844)	2	DTD130		JB18/1467
	171F9844	Washer, for bolts (114, 115 & 116F9844)	4	DTD130		JB18/1468
	172F9844	Washer, for bolt (168F9844)	1	DTD130		JB18/1469
	286F9844	Washer, for bolt (113F9844)	2	-		JB21/1470
SPAR, REAR, CENTRE SECTION (74F10183) (Mod. 569)						
Spares for:-						
	311F7753	Bearing, bomb door linkage	4	DTD683	MR	JB22/1471
	34F7753	Bolt, for attaching jet pipe ring centre inboard, inner	4	S99	MR	JB21/1472
	37F7753	Bolt, for attaching jet pipe ring centre inboard, outer	8	S99	MR	JB21/1473
2372	38F7753	Bolt, for attaching jet pipe ring centre outboard, inner	8	S99	MR/C	JB21/1474
2367	321F7753	Bolt, for attaching jet pipe ring to spar	160	S94 or 95	MR/C	JB21/1475
2368	322F7753	Bolt, for attaching jet pipe ring to spar	392	S94 or 95	MR/C	JB21/1476
2369	323F7753	Bolt, for attaching jet pipe ring to spar	148	S94 or 95	MR/C	JB21/1477
	351F7753	Bolt, for attaching jet pipe centre, outboard, outer	8	S99		JB21/1478
8278	353F7753	Bolt, at wing root, through forging top and bottom, port and starboard	4	S99	MR/C	JB20/1479
	25F10183	Boom, bottom, rear spar	1	DTD363A	MR	JB21/1480
	347F7753	Bush, at wing root, top and bottom, port and starboard	4	S96 or T90	MR	JB20/1481
	352F7753	Bush, at fin post support, top	2	S96 or T90		JB21/1482
3904	7F7753	Forging, wing root joint, top, port	1	DTD683	MR/C	JB20/1483
3905	8F7753	Forging, wing root joint, top, starboard	1	DTD683	MR/C	JB20/1484
	26F10183	Forging, wing root joint, bottom, port	1	DTD683	MR	JB20/1485
	27F10183	Forging, wing root joint, bottom, starboard	1	DTD683	MR	JB20/1486
	26F7753	Nut, for bolts (34, 37, 38 & 34F7753)	24	S96	MR	JB21/1487
2374	30F7753	Nut, for bolts (349, 350 & 351F7753)	16	S96	MR/C	JB21/1488
	348F7753	Pin, shackle	4	S99		JB20/1489
	349F7753	Pin, shackle	4	S99		JB20/1490
	350F7753	Pin, shackle	4	S99		JB20/1491

FUSELAGE
CENTRE PORTION

Ref. No.	Part No.	Description	No. off	Matl. Spec.	Cl. of St.	Plate and Illust'n No.
					M.R.	
		1 2 3 4				
		SPAR, REAR, CENTRE SECTION (74F10183) (Mod. 569) (Cont'd)				
	31F10183	Plate, reinforcing, wing root joint, bottom forward, port and starboard	2	S99	MR	
	32F10183	Plate, reinforcing, wing root joint, bottom	2	S99	MR	
	33F10183	Plate, reinforcing, wing root joint, top forward port and aft, starboard	2	S99	MR	
	34F10183	Plate, reinforcing, wing root joint, top aft, port and forward, starboard	2	S99	MR	
	28F10183	Plate, rubbing, wing root joint top, port and starboard	2	L72	MR	
	29F10183	Plate, rubbing, wing root joint bottom, port and starboard	2	L72	MR	
	30F10183	Plate, rubbing at shackle (35F10183)	2	L72	MR	
	36F10183	Plate, rubbing, at jet ring, outboard, port and starboard	2	L72	MR	
	37F10183	Plate, rubbing, at jet ring, inboard, port and starboard	2	L72	MR	
	53F7753	Ring, jet pipe, forward inboard, port	1	S99 or EN26Y	MR	JB21/1492
	54F7753	Ring, jet pipe, forward inboard, starboard ...	1	—		JB21/1493
	55F7753	Ring, jet pipe, forward outboard, port	1	S99 or EN26Y	MR	JB21/1494
	56F7753	Ring, jet pipe, forward outboard, starboard	1	S99 or EN26Y	MR	JB21/1495
	145F7753	Ring, jet pipe, aft inboard, port	1	S99 or EN26Y	MR	JB21/1496
	146F7753	Ring, jet pipe, aft inboard, starboard	1	S99 or EN26Y	MR	JB21/1497
	147F7753	Ring, jet pipe, aft, outboard, port	1	S99 or EN26Y	MR	JB21/1498
	148F7753	Ring, jet pipe, aft, outboard, starboard	1	S99 or EN26Y	MR	JB21/1499
	35F10183	Shackle, joint, outboard	4	S99	MR	JB20/1500
	24F7753	Washer, for pin (348F7753)	4	DTD364A	MR	JB20/1501
	25F7753	Washer, for pin (348F7753)	4	S1		JB20/1502
	28F7753	Washer, for pin (349F7753)	4	DTD364A	MR/C	JB20/1503
	29F7753	Washer, for pin (349FF7753)	4	S1	MR	JB20/1504
	32F7753	Washer, for pin (350F7753)	4	DTD364A	MR	JB20/1505
	40F7753	Washer, for bolt (351F7753)	8	DTD364A	MR/C	JB21/1506
	64F7753	Washer, for bolt (37, 38 & 353F7753)	20	DTD364A		JB20/1507
	84F7753	Washer, for bolt (34F7753)	4	S1 or S93	MR	JB21/1508
	85F7753	Washer, for bolt (351F7753)	8	S1 or S93	MR	JB21/1509
	170F7753	Washer, at bolt (348F7753)	2	DTD364A		JB20/1510
	171F7753	Washer, at bracket, inboard end of shackle	2	DTD364A		JB20/1511
		SPECTRE, NACELLE INSTALLATION, R.A.T.O.G. (16.0.3733) (See Equipment, Aircraft)				
		STOWAGE, BOMB DOOR LINK SUPPORT (1D10543) Spares for:—				
	2D10543	Bracket, angle	8	DTD364B		JB22/1512
28FP/9513104	A.1011	Pin, pip	4	—	C	

FUSELAGE
CENTRE PORTION

Ref. No.	Part No.	Description	No. off	Matl. Spec.	Cl. of St.	Plate and Illust'n No.
					M.R.	
			1	2	3	4
		STRUCTURE, CENTRE PORTION (D10631) (Cont'd)				
		STRUCTURE AROUND ACCESS DOORS AT FORMERS 370A" & 399A" (52D9489)				
		Spares for:—				
2353	7D9489	Bracket, attachment	1	L72	MR/C	
2354	8D9489	Bracket, attachment	1	L72	MR/C	
2355	9D9489	Bracket, attachment	1	L72	MR/C	
2365	26D9489	Bracket, attachment	1	L72	MR/C	
2366	27D9489	Bracket, attachment	1	L72	MR/C	
2362	29D9489	Bracket, attachment	1	L72	MR/C	
21766	32D9489	Bracket	2	DTD364B	MR/C	
	33D9489	Bracket	2	DTD364B	MR/C	
2350	10D9489	Channel, vertical	1	L72	MR/C	
2351	11D9489	Channel, horizontal	1	L72	MR/C	
	24D9489	Diaphragm	1	L72	MR	
	20D9489	Gusset	1	L72	MR/C	
2361	17D9489	Member, skin attachment	1	L72	MR/C	
2358	18D9489	Member, skin attachment	1	L72	MR/C	
2359	236D9489	Pin	2	S96	MR	
	31D9489	Stop	2	DTD130A	MR	
		STRUCTURE, AIR INTAKE AFT OF FRONT SPAR (1 & 2F10018) (Pre-Mod. 360) (1 & 2F10426 Mod. 360, Pre-Mod. 1682) 343 & 344F10426, Mod. 1682)				
		Spares for:—				
	KING A/C C.7930	Fastener, lower body	114	—	MR	
	39F10018	PANEL, ACCESS, OUTBOARD TUNNEL . OUTBOARD, PORT, GROUP (Pre-Mod. 360)	1	—	B	JB25/1513
7585	39F10426	PANEL, ACCESS, OUTBOARD TUNNEL . OUTBOARD, PORT, GROUP (Mod. 360)	1	—	B	JB25/1514
	40F10018	PANEL, ACCESS, OUTBOARD TUNNEL . OUTBOARD, STARBOARD, GROUP (Pre-Mod. 360)	1	—	B	JB25/1514
7586	40F10426	PANEL, ACCESS, OUTBOARD TUNNEL . OUTBOARD, STARBOARD, GROUP (Mod. 360)	1	—	B	JB25/1516
	41F10018	PANEL, ACCESS, OUTBOARD TUNNEL . INBOARD, PORT, GROUP (Pre-Mod. 360)	1	—	B	HB25/1515
7587	41F10426	PANEL, ACCESS, OUTBOARD TUNNEL . INBOARD, PORT, GROUP (Mod. 360)	1	—	B	
7596	42F10018	PANEL, ACCESS, OUTBOARD TUNNEL . INBOARD, STARBOARD, GROUP (Pre-Mod. 360)	1	—	B	JB25/1516
7588	42F10426	PANEL, ACCESS, OUTBOARD TUNNEL . INBOARD, STARBOARD, GROUP (Mod. 360)	1	—	B	
7597	59F10018	PANEL, ACCESS, INBOARD TUNNEL . OUTBOARD, PORT, GROUP (Pre-Mod. 360)	1	—	B	
	59F10426	PANEL, ACCESS, INBOARD TUNNEL . OUTBOARD, PORT, GROUP (Mod. 360)	1	—		JB25/1517
	60F10018	PANEL, ACCESS, INBOARD TUNNEL . OUTBOARD, STARBOARD, GROUP (Pre-Mod. 360)	1	—		
	60F10426	PANEL, ACCESS, INBOARD TUNNEL . OUTBOARD, STARBOARD, GROUP (Mod. 360)	1	—		JB25/1518

FUSELAGE
CENTRE PORTION

Ref. No.	Part No.	Description	No. off	Matl. Spec.	Cl. of St.	Plate and Illust'n No.
					M.R.	
		1 2 3 4				
		STRUCTURE, AIR INTAKE AFT OF FRONT SPAR (Cont'd)				
	61F10018	PANEL, ACCESS, INBOARD TUNNEL ...	1	—		
7591	61F10426	INBOARD, PORT, GROUP (Pre-Mod. 360)	1	—	B	JB25/1519
	62F10018	PANEL, ACCESS, INBOARD TUNNEL ...	1	—		
		INBOARD, PORT, GROUP (Mod. 360)				
7592	62F10426	PANEL, ACCESS, INBOARD TUNNEL ...	1	—	B	JB25/1520
		INBOARD, STARBOARD, GROUP (Pre-Mod. 360)				
		PANEL, ACCESS, INBOARD TUNNEL ...	1	—		
		INBOARD, STARBOARD, GROUP (Mod. 360)				
		Spares for:—				
6229	KING A/C C5892 C5893	Fastener, upper body	280	—	MR	
		Fastener, lower body	280	—	C	
		STRUCTURE, AROUND AIRBRAKE, TOP, PORT AND STARBOARD (1 & 2F10173)				
		Spares for:—				
12625	1F11521/W	PANEL, ACCESS, TOP, OUTBOARD,	1	—	B	JB25/1521
		WHITE, PORT, GROUP (Mod. 1877)				
	1F11521/P	PANEL, ACCESS, TOP, OUTBOARD,	1	—		
		PRIMERED, PORT, GROUP (Mod. 1877)				
	1F11521/EP	PANEL, ACCESS, TOP, OUTBOARD,	1	—		JB26/ 1521B
		POLYURATHANE FINISH, PORT, GROUP (Mod. 2129)				
12626	2F11521/W	PANEL, ACCESS, TOP, OUTBOARD,	1	—	B	JB26/1522
		WHITE, STARBOARD, GROUP (Mod. 1877)				
	2F11521/P	PANEL, ACCESS, TOP, OUTBOARD,	1	—		JB26/ 1522A
		PRIMERED, STARBOARD, GROUP (Mod. 1877)				
	2F11521/EP	PANEL, ACCESS, TOP, OUTBOARD,	1	—		JB26/ 1522B
		POLYURATHANE FINISH, STARBOARD, GROUP (Mod. 2129)				
12627	1F11522/W	PANEL, ACCESS, TOP, INBOARD,	1	—	B	JB26/1523
		WHITE, PORT, GROUP (Mod. 1877)				
	1F11522/P	PANEL, ACCESS, TOP, INBOARD,	1	—		JB26/1523
		PRIMERED, PORT, GROUP (Mod. 1877)				
	1F11522/EP	PANEL, ACCESS, TOP, INBOARD,	1	—		JB26/ 1523B
		POLYURATHANE FINISH, PORT, GROUP (Mod. 2129)				
12628	2F11522/W	PANEL, ACCESS, TOP, INBOARD,	1	—	B	JB26/1524
		WHITE, STARBOARD, GROUP (Mod. 1877)				
	2F11522/P	PANEL, ACCESS, TOP, INBOARD,	1	—		JB26/ 1524A
		PRIMERED, STARBOARD, GROUP (Mod. 1877)				
	2F11522/EP	PANEL, ACCESS, TOP, INBOARD,	1	—		JB26/ 1524B
		POLYURATHANE FINISH, STARBOARD, GROUP (Mod. 2129)				
		SEALING, WEATHERPROOF, AROUND TOP AIRBRAKE, OUTBOARD, PORT (2F10391)				
		Spares for:—				
	85F10216	Angle, seal support	1	L72	MR	JB28/1525
	47F10216	Bracket	4	L72		
	50F10216	Bracket	4	L72		

FUSELAGE
CENTRE PORTION

Ref. No.	Part No.	Description				No. off	Mati. Spec.	Cl. of	Plate and Illust'n No.
		1	2	3	4			St. M.R.	
		SEALING, WEATHERPROOF, AROUND TOP AIRBRAKE, OUTBOARD, PORT (2F10391) (Cont'd)							
10687	1111SS4248					30	—	C	
	2F10440					2	—	MR	JB28/1526
6041	6F10440					2	—	C	JB28/1527
9062	67F10216					1	—	C	JB28/1528
	31F10216					1	L72	MR	
	71F10216					1	—	MR	JB28/1529
	29F10216					1	L72	MR	
	12F10391					1	—	MR	JB28/1530
	9F10391					1	L72		
	13F10391					1	—	MR	JB28/1531
	8F10391					1	L72		
		SEALING, WEATHERPROOF, AROUND TOP AIRBRAKE, OUTBOARD, STARBOARD (3F10391) Spares for:—							
	86F10216					1	L72	MR	JB28/1532
	48F10216					4	L72		
	50F10216					4	L72		
10687	1111SS4248					30	—	C	
	2F10440					2	—	MR	JB28/1533
6041	6F10440					2	—	C	JB28/1534
9063	68F10216					1	—	C	JB28/1535
	32F10216					1	L72	MR	
9061	72F10216					1	—	C	JB28/1536
	30F10216					1	L72	MR	
	12F10391					1	—	MR	JB28/1537
	9F10391					1	L72		
	13F10391					1	—	MR	JB28/1538
	8F10391					1	L72		

FUSELAGE
CENTRE PORTION

Ref. No.	Part No.	Description	No. off	Matl. Spec.	Cl. of	Plate and Illust'n No.
					St.	
		1	2	3	4	M.R.
		STRUCTURE AROUND AIRBRAKE, TOP TOP (1 & 2F10173) (Cont'd)				
		SEALING, WEATHERPROOF, AROUND, TOP AIRBRAKE, INBOARD, PORT (4F10391)				
		Spares for:-				
	83F10216	Angle, seal support	1	L72	MR	JB28/1539
	4F10216	Bracket	4	L72		
	49F10216	Bracket	4	L72	MR	
10687	1111SS4248	Rivet, bifurcated (Mod. 1295)	28	-	C	
	3F10440	Seal, moulded rubberite	1	-	MR	JB28/1540
	5F10440	Seal, moulded rubberite	1	-	MR	JB28/1541
6041	6F10440	Seal, moulded rubberite	2	-	C	JB28/1542
	51F10216	STRIP, ATTACHMENT, GROUP	1	-		JB28/1543
		Spares for:-				
	11F10216	Channel	1	L72	MR	
	55F10216	STRIP, ATTACHMENT, GROUP	1	-	MR	JB28/1544
		Spares for:-				
	13F10216	Channel	1	L72	MR	
	10F10391	STRIP, ATTACHMENT, GROUP (Mod. 895)	1	-	MR	JB28/1545
		Spares for:-				
	7F10391	Channel	1	L72		
	11F10391	STRIP, ATTACHMENT, GROUP (Mod. 895)	1	-	MR	JB28/1546
		Spares for:-				
	6F10391	Channel	1	L72	MR	
		SEALING, WEATHERPROOF, AROUND TOP AIRBRAKE, INBOARD, STARBOARD (5F10391)				
		Spares for:-				
	84F10216	Angle, seal support	1	L72	MR	
	48F10216	Bracket	4	L72		
	46F10216	Bracket	4	L72	C	
10687	1111SS4248	Rivet, bifurcated (Mod. 1295)	28	-	C	
	3F10440	Seal, moulded rubberite	1	-	MR	JB28/1547
	4F10440	Seal, moulded rubberite	1	-	MR	JB28/1548
6041	6F10440	Seal, moulded rubberite	2	-	C	JB28/1549
	52F10216	STRIP, ATTACHMENT, GROUP	1	-		JB28/1550
		Spares for:-				
	10F10216	Channel	1	L72	MR	
	56F10216	STRIP, ATTACHMENT, GROUP	1	-	MR	JB28/1551
		Spares for:-				
	12F10216	Channel	1	L72	MR	

FUSELAGE
CENTRE PORTION

Ref. No.	Part No.	Description				No. off	Mati. Spec.	Cl. of St.	Plate and Illust'n No.
		1	2	3	4			M.R.	
	10F10391	SEALING, WEATHERPROOF, AROUND TOP AIRBRAKE, INBOARD, STARBOARD (5F10391) (Cont'd.)				1	—	C	JB28/1552
	7F10391	STRIP, ATTACHMENT, GROUP Spares for:— Channel				1	L72		
	11F10391	STRIP, ATTACHMENT, GROUP Spares for:—				1	—	C	JB28/1553
	6F10391	Channel				1	L72	C	
		STRUCTURE, AROUND AIRBRAKE, BOTTOM, PORT AND STARBOARD (77 & 78F10589) (Mod. 639)							
	13F10589	Spares for:— Angle, for seal attachment at inboard forward, port				2	L72	C	
	14F10589	Angle, for seal attachment at inboard, forward, starboard				2	L72	C	
	99F9583	Angle, stiffener, for seal attachment at intercostal No. 8, port (Pre-Mod. 1981)				1	L72		
	100F9583	Angle, stiffener, for seal attachment at intercostal No. 8, starboard (Pre Mod. 1981)				1	L72	C	
7379	9F10589	Bracket, seal attachment, at inboard forward, port				2	L72	C	
	10F10589	Bracket, seal attachment, at inboard forward, starboard				2	L72	C	
	96F9583	Bracket, top hat stiffening, at intercostal No. 8				7P 6S	L72	C	
11543	78F9583	Channel, attachment, at intercostal No. 9, port				2	L72	C	
	79F9583	Channel, attachment, at intercostal No. 9, starboard				2	L72	C	
12397	133F10589	Channel, attachment, at front engine bulkhead, port				8	L72	C	
12398	134F10589	Channel, attachment, at front engine bulkhead, starboard				7	L72	C	
12399	140F10589	Channel, attachment, at intercostal No. 9, starboard				1	L72	C	
	41F9583	Channel, stiffening				3	L72	MR	
	FLIGHT REFUELLING FRS175-S FLIGHT REFUELLING FRS175-V 12F9449	Clamp, duct, jointing				2	—		
		Clamp, duct, jointing				2	—		
		Diaphragm, port				1	L72	MR	
17796	29F10589	DUCT, AIR INTAKE, GROUP				1	—	B	JB29/1554
		Spares for:—							
	29mF10589	Angle				1	S521	MR	
	29yF10589	Duct, rear				1	S521	MR	
	29zF10589	Duct, fwd.				1	S521	MR	

FUSELAGE
CENTRE PORTION

Ref. No.	Part No.	Description	No. off	Mati. Spec.	Cl. of St.	Plate and Illust'n No.
					M.R.	
		1 2 3 4				
STRUCTURE AROUND AIRBRAKE, BOTTOM (77 & 78F10589) (Cont'd)						
21449	38F10589	Duct, between air intake and duct (39F1059), port and starboard	1	—	MR	JB29/1555
	39F10589	Duct, between bulkhead 10 and duct (38F10589), port and starboard	1	—	C	JB29/1556
	53F10589	Duct, at front engine bulkhead, inner and outer starboard and inner port	3	—	MR	JB29/1557
17785	54F10589	Duct, at front engine bulkhead, outer port (Pre-Mod. 980)	1	—		JB29/1558
	319F10589	Duct, at front engine bulkhead, outer port (Mod. 980)	1	—	C	JB29/1559
	55F10589	Duct, centre, at inner, starboard	1	—	C	JB29/1560
12120	56F10589	Duct, 3-1/4" o/d, from engine to duct (72F10589), inner port	1	—	C	JB29/1561
12047	58F10589	Duct, 3-1/4" o/d, from engine to ducts, inner and outer starboard and outer port	3	—	MR	JB29/1562
12745	71F10589	Duct, centre, outboard starboard	1	—	C	JB29/1563
12048	72F10589	Duct, centre, inboard port	1	—	C	JB29/1564
12049	73F10589	Duct, centre, outboard port	1	—	C	JB29/1565
21452	117F10589	Duct, between bulkhead 10 and removable duct (121F10589), starboard	1	—	C	JB29/1566
21453	118F10589	Duct, between bulkhead 10 and removable duct (121F10589), port	1	—	C	JB29/1567
9402	121F10589	Duct, removable, between ducts (29F10589) and (117 & 118F10589), port and starboard	1	—	C	JB29/1568
12531	321F10589	Duct, 4" o/d, from engine to duct (55F10589) inner starboard (Mod. 906)	1	—	C	JB29/1569
12061	322F10589	Duct, 4" o/d, from engine to duct (72F10589) inner, port (Mod. 906)	1	—	MR	JB29/1570
	59F10589	Duct (Pre-Mod. 906)	2	—	C	
12533	323F10589	Duct, 4" o/d, from engine to duct (73F10589) outer, port (Mod. 906)	1	—	C	JB29/1571
12060	63F10589	Duct (Pre-Mod. 906)	1	—	C	
12534	324F10589	Duct, 4" o/d, from engine to duct (71F10589) outer, starboard (Mod. 906)	1	—	C	JB29/1572
12743	57F10589	Duct (Pre-Mod. 906)	1	—	C	
1505371	46F10589	Intake, air, port and starboard	1	—	C	JB27/1573
	47F10589	Intake, air, port and starboard	1	—	MR	JB27/1574
9541	1F10362	PANEL, ACCESS, INBOARD BOTTOM PORT, GROUP (Pre-Mod. 672)	1	—		
	1F11164	PANEL, ACCESS, INBOARD BOTTOM PORT, GROUP (Mod. 672)	1	—	C	JB27/1575
	2F10362	PANEL, ACCESS, INBOARD BOTTOM STARBOARD, GROUP (Pre-Mod. 672)	1	—		

FUSELAGE
CENTRE PORTION

Ref. No.	Part No.	Description	No. off	Matl. Spec.	Cl. of	Plate and Illust'n No.
					St. M.R.	
		1 2 3 4				
		STRUCTURE AROUND AIRBRAKE, BOTTOM (77 & 78F10589) (Cont'd)				
	2F11164	PANEL, ACCESS, INBOARD BOTTOM . STARBOARD, GROUP (Mod. 672)	1	—	MR	JB27/1576
5650	1D10460	PANEL, ACCESS, OUTBOARD BOTTOM, PORT, GROUP	1	—	C	JB27/1577
5651	2D10460	PANEL, ACCESS, OUTBOARD BOTTOM, STARBOARD, GROUP	1	—	C	JB27/1578
10687	1111SS4248 20F10589	Rivet, bifurcated, for seals Seal, at air intake and duct (29F10589), . port	11 1	— DTD378A	C	JB29/1579
6847	23F10589	Seal, moulded rubberite, for airbrake . . . panel, inboard, rear	1	LE33	C	JB25/1580
6848	24F10589	Seal, moulded rubberite, for airbrake . . . panel, inboard at rib 113.5" (Pre-Mod. 1981)	1	LE33	C	
	25F10589	Seal, moulded rubberite, for airbrake . . . panel, inboard at rib 63.5" (Pre-Mod. 1981)	1	LE33	MR	
	36F10589	Seal, for duct joint aft of front bulkhead and ducts (29 & 121F10589)	4	DTD378A	MR	JB29/1581
	40F10589	Seal, for air intake (47F10589) and duct . (38F10589) joint	1	DTD378A	MR	JB29/1582
10013	43F10589 70F10589	Seal, for ducts (38 & 39F10589) joint . . . Seal, moulded rubberite, for airbrake . . . panel, inboard, forward (Pre-Mod. 1981)	1 1	DTD378A LE33	C MR	JB29/1583
	122F10589	Seal, for ducts (117, 118 & 121F10589) . joints	2	DTD378A		JB29/1584
9066	45F9583	Strip, attachment, for seal (23F10589), . port	1	L72	C	
9067	46F9583	Strip, attachment, for seal (23F10589) . . starboard	1	L72	C	
9068	47F9583	Strip, attachment, for seal (25F10589) . . port (Pre-Mod. 1981)	1	L72	C	
9069	48F9583	Strip, attachment, for seal (25F10589) . . starboard (Pre-Mod. 1981)	1	L72	C	
9070	49F9583	Strip, attachment, for seal (24F10589) . . (Pre-Mod. 1981)	1	L72	C	
	131aF10589	Strip, attachment, for seal (70F10589) . . port (Pre-Mod. 1981)	1	L72	MR	
	132aF10589	Strip, attachment, for seal (70F10589) . . starboard (Pre-Mod. 1981)	1	L72	MR	
	92F9583	Strip, retaining, for seal (70F10589) port and starboard (Pre-Mod. 1981)	1P 2S	L72	MR	
	131bF10589	Strip, retaining, for seal (70F10589) port (Pre-Mod. 1981)	1	L72	MR	
	132bF10589	Strip, retaining, for seal (70F10589) starboard (Pre-Mod. 1981)	1	L72	MR	

FUSELAGE
CENTRE PORTION

Ref. No.	Part No.	Description	No. off	Matl. Spec.	Cl. of	Plate and Illust'n No.
					St. M.R.	
		1 2 3 4				
		STRUCTURE, AROUND AIRBRAKE, BOTTOM (77 & 78F10589) (Cont'd)				
	320F10589	Strip, retaining, for seal (70F10589) port and starboard (Pre-Mod. 1981)	2	L72	MR	
	91F9449	Strip, reinforcing, inboard rear port	1	L72	MR	
	92F9449	Strip, reinforcing, inboard rear starboard .	1	L72	MR	
		STRUCTURE, AIR INTAKE, PORT AND STARBOARD (1 & 2F10876) (Pre-Mod. 360)				
		STRUCTURE, AIR INTAKE, PORT AND STARBOARD (1 & 2F10357) (Mod. 360)				
		Spares for:—				
	3SS4924	Bolt, csk. hd. 2 BA, diaphragm 49.5" to . . . rib 63.5" joint	2	—		
	216F9222	COVER, HANDHOLE, No. 1 TANK SERVICE COCK, PORT AND STARBOARD, GROUP (Pre-Mod. 1982)	1	—	MR	JB32/1585
		Spares for:—				
	AS.3170	Cover, handhole	1	—	MR	
	9P3498	COVER, HANDHOLE, No. 1 TANK SERVICE COCK, PORT, GROUP (Mod. 1982)	1	—	MR	
		Spares for:—				
	235F9222	Door, access, port and starboard	5	L72	MR	JB32/1586
5980	237F9222	Door, access, air mileage unit, starboard . . . Attachment—Doors:— (235 & 237F9222)	1	L72	C	JB32/1587
	4SS4199	Screw, 2 BA	10	—	MR	
		DOOR, AIR EXTRACTION, ANTI-ICING, PORT AND STARBOARD (1 & 2F8571) (Pre-Mod. 360)				
		DOOR, AIR EXTRACTION, ANTI-ICING, PORT AND STARBOARD (1 & 2F10587) (Mod. 360)				
		Spares for:—				
5W/4511920	ROTAX A-0220	Actuator	1	—	A	JB32/1588
	60F8553	Bearing, link bush for shackle	1	BSS249	MR	JB30/1589
1409	20F8571	BRACKET, ACTUATOR, TOP, GROUP	—	—	C	
		Spares for:—				
	8F8558	Boss	2	DTD364B		

FUSELAGE
CENTRE PORTION

Ref. No.	Part No.	Description	No. off	Mati. Spec.	Cl. of	Plate and Illust'n No.
					St.	
			1	2	3	4
DOOR, AIR EXTRACTION ANTI-ICING, PORT AND STARBOARD (Cont'd)						
1410	1F8573	DOOR, AIR EXTRACTION, PORT, GROUP (Pre Mod. 360)	1	—	B	
7620	1F10569	DOOR, AIR EXTRACTION, PORT, GROUP (Mod. 360)	1	—	B	JB30/1591
1411	2F8573	DOOR, AIR EXTRACTION, STARBOARD, GROUP (Pre-Mod. 360)	1	—	B	
7621	2F10569	DOOR, AIR EXTRACTION, STARBOARD, GROUP (Mod. 360)	1	—	B	JB30/1592
	23F8573	Spares for:— Hinge, port, undrilled (Make from AS.1880 x 7-1/2") (Pre Mod. 360)	1	L3 or DTD390		
	23F10569	Hinge, port, undrilled (Make from AS.1880 x 7-1/2") (Mod. 360)	1	L3 or DTD390		
	24F8573	Hinge, starboard, undrilled (Make from AS.1880 x 7") (Pre Mod. 360)	—	L3 or DTD390		
	24F10569	Hinge, starboard, undrilled (Make from AS.1880 x 7") (Mod. 360)	—	L3 or DTD390		
	59F8553	Shackle, link	1	DTD364B	MR	JB30/1593
EDGE, LEADING (1 & 2F10393)						
11163	314F8143	Spares for:— Angle	2	L72	C	
SPAR, FALSE, REAR (210 & 211F8101) (Pre-Mod. 360)						
SPAR, FALSE, REAR (1 & 2F10363) (Mod. 360)						
7035	198F8101	Spares for:— Door, access for N.R. valve (Pre-Mod. 360)	1	L72	C	
8035	102F10363	Door, access for N.R. valve (Mod. 360)	1	L72	C	JB30/1594
	200F8101	Door, access	1	L72		JB30/1595
	46SS3221	Plate, door	1	L72	MR	
	CSS3149	Screw, csk., 1/4" BSF	4	—	MR	
	3SS4140	Screw, csk., 2 BA x 0.75" long	16	—	MR	

FUSELAGE
CENTRE PORTION

Ref. No.	Part No.	Description	No. off	Mati. Spec.	Cl. of St.	Plate and Illust'n No.
					M.R.	
		1 2 3 4				
		STRUCTURE, AIR INTAKE, PORT AND STARBOARD (Cont'd.)				
		INTAKE, VARIABLE COLD AIR, PORT AND STARBOARD (1 & 2F10871) (Pre-Mod. 514) (Pre-Mod. 360)				
		PORT (1F11035) (Mod. 514)				
		STARBOARD (2F10588) (Mod. 360)				
		Spares for:—				
5W/4511920	ROTAX A0220	Actuator	1	—	A	JB32/1596
	82F8553	ARM, LINK, CAM LEVER TO RAMP, GROUP	1	—	MR	JB32/1597
		Spares for:—				
28M/13124	1SS4191 A27/CT	End, fork	1	S96	MR	
		Nut, lock	1	—	C	
	60F8553	Bearing, distance tube	1	BSS249	MR	JB32/1598
	101F8553	Bolt, special (Make from A25/23G)	1	—		JB32/1599
	1F8558	BRACKET, MOUNTING ACTUATOR, PORT, GROUP (Pre-Mod. 360)	1	—		
	2F8558	BRACKET, MOUNTING ACTUATOR, STARBOARD, GROUP (Pre-Mod. 360)	1	—		
	8F11035	BRACKET, MOUNTING, ACTUATOR, PORT, GROUP (Mod. 514)	1	—		JB32/1600
21558	2F10423	BRACKET, MOUNTING ACTUATOR, STARBOARD, GROUP (Mod. 360)	1	—	C	JB32/1601
		Spares for:—				
	7F8558	Boss	1	L65		
	9F8558	Boss	1	L65		
	61F8553	Bush, distance, for shackle	1	BSS249	MR	JB32/1602
1420	81F8553	CAM, LEVER OPERATING LINK ARM, GROUP	1	—	C	JB32/1603
28E/9129092	AGS605/2	Clip, conduit joint	1	—	C	
26FP/15025	21SS2868	Clip, for conduit	3	—	C	
26FP/2453	1SS3859	Clip, pipe, starboard	1	—	C	
	102F8553	Conduit, for capillary tube, 22G x 1-3/4" o/d x 3" 6"	1	L56		JB32/1604
	107F8553	Conduit, for capillary tube, 22G x 1-3/4" o/d x 18"	1	L56		JB32/1605
5CZ/4337596	TEDDINGTON FDF/A/3113	Control, inching (Mod. 940)	1	—	A	JB32/1606
	11F10877	COVER, RAMP, PORT AND STARBOARD, GROUP (Pre-Mod. 360)	1	—		
	23F10588	COVER, RAMP, PORT, GROUP (Mod. 360)	1	—		
	24F10588	COVER, RAMP, STARBOARD GROUP (Mod. 360)	1	—		
		Spares for:—				

FUSELAGE
CENTRE PORTION

Ref. No.	Part No.	Description				No. off	Matl. Spec.	Cl. of	Plate and Illust'n No.
		1	2	3	4			St. M.R.	
		COVER RAMP, PORT AND STARBOARD (Cont'd)							
	1F8556	COVER, PORT, GROUP				1	—	MR	
7618	1F10599	(Pre-Mod. 360) COVER, PORT, GROUP (Mod. 360) .				1	—		JB32/1607
	2F8556	COVER, STARBOARD, GROUP				1	—	MR	
		(Pre-Mod. 360)							
7619	2F10599	COVER, STARBOARD, GROUP				1	—		JB32/1608
		(Mod. 360)							
1416	1F8554	RAMP, HINGED, PORT, GROUP				1	—		
		(Pre-Mod. 360)							
7616	1F10600	RAMP, HINGED, PORT, GROUP				1	—		JB32/1609
		(Mod. 360)							
1417	2F8554	RAMP, HINGED, STARBOARD,				1	—		
		GROUP (Pre-Mod. 360)							
7617	2F10600	RAMP, HINGED, STARBOARD				1	—		JB32/1610
		GROUP (Mod. 360)							
1418	43F8554	Spares for:— ARM, HINGED, GROUP				2	—		JB32/1611
		Consisting of:— Bush, oilite				2	—		
	BS1131/030504	Hinge				2	L65		
	43aF8554								
	4 O.3520	ROLLER, FOR RAMP, GROUP				1	—	MR	JB32/1612
		Consisting of:—							
	4a.O 3520	Bush, 0.37" x 0.3"				1	Oilite		
	4b.O 3520	Roller, Gaco rubber				1			
5030	21F8554	Seal, Linatex tubular (KD118)				1	—	C	JB32/1613
26FP/13003	4SS3158	Screw				7	—	C	
	1F8556	DIFFUSER, PORT, GROUP				1	—		
		(Pre-Mod. 360 & 2323)							
	1F12954	DIFFUSER, PORT, GROUP				1	—		
		(Mod. 2323)							
21542	1F10598	DIFFUSER, PORT, GROUP				1	—	C	JB32/1614
		(Mod. 360) (Pre-Mod. 2323)							
1510522	1F12955	DIFFUSER, PORT, GROUP				1	—	C	
		(Mod. 2323)							
	2F8555	DIFFUSER, STARBOARD, GROUP ...				1	—		
		(Pre-Mod. 360 & 2323)							
	2F12954	DIFFUSER, STARBOARD, GROUP ...				1	—		
		(Mod. 2323)							
21543	2F10598	DIFFUSER, STARBOARD, GROUP ...				1	—	C	JB32/1615
		(Mod. 360) (Pre-Mod. 2323)							
1510523	2F12955	DIFFUSER, STARBOARD, GROUP ...				1	—		
		(Mod. 2323)							
	79F8553	Gasket, for diffuser, 1/16" x 5" x 11" ..				1	DTD378A	MR	JB32/1616
	80F8553	Gasket, for diffuser, 1/16" x 7-1/2"				1	DTD378A	MR	JB32/1617

FUSELAGE
CENTRE PORTION

Ref. No.	Part No.	Description				No. off	Matl. Spec.	Cl. of St.	Plate and Illust'n No.
		1	2	3	4			M.R.	
		INTAKE, VARIABLE COLD AIR PORT AND STARBOARD (1 & 2F 10871, 1F11035, 2F10588) (Cont'd)							
	1SS4098				Pin, close tolerance	1	—	MR	JB32/1618
	59F8553				Shackle, link	1	L65	MR	JB32/1619
	62F8553				Washer, special	1	L65	MR	JB32/1620
		MOUNTING, MARKER AERIAL, STARBOARD, GROUP (Mod. 729) Spares for:—							
	2F9965				MOUNTING, GROUP	1	L72		
		PANEL, ACCESS, OUTBOARD, PORT AND STARBOARD (7 & 8F 11075) Spares for:—							
21526	6F11075				Door, access	1	L72	C	
		PANEL, ACCESS, STARBOARD (12F11887) Spares for:—							
21538	3F11887				Panel, 14G x 5" x 5"	1	L72	C	
		SERVICES, PIPING (Q1884) (See Services)							
		STRUCTURE, ACCESS DOORS IN AIR INTAKE TUNNELS (F8431, F8638) (Pre-Mod. 360)							
		STRUCTURE, ACCESS DOORS IN AIR INTAKE TUNNELS (F10445, F10446) (Mod. 360) Spares for:—							
	5F8431				Panel, inspection to flying control bearings on former 27F, port (Pre-Mod. 360)	1	L72		
21578	4F10445				Panel, inspection to flying control lever on former 75"F, port (Mod. 360) ..	1	L72	C	
	6F8431				Panel, inspection to flying control bearings on former 27F, starboard (Pre-Mod. 360)	1	L72		
21579	6F10445				Panel, inspection to flying control lever on former 75"F, starboard (Mod. 360) ..	1	L72	C	
	4F8638				Panel, inspection, to flying control lever former 75F, port and starboard (Pre-Mod. 360)	2	L72		
21522	5F10446				Panel, inspection to bearings on former 27F, port (Mod. 360) ..	1	L72	C	
21523	6F10446				Panel, inspection to bearings on former 27F, starboard (Mod. 360) ..	1	L72	C	

FUSELAGE
CENTRE PORTION

Ref. No.	Part No.	Description	No. off	Matl. Spec.	Cl. of	Plate and Illust'n No.
					St.	
		1 2 3 4				
		STRUCTURE, AIR INTAKE, PORT AND STARBOARD (Cont'd)				
	1F11156	STRUCTURE, ACCESS PANEL, AFT OF FRONT SPAR (1 & 2F11154) Spares for:— PANEL, PORT, 14G x 13-3/8" x 24-1/4" LONG, GROUP	1	—		
	2F11156	PANEL, STARBOARD, 14G x 13-3/8" x 24-1/4" LONG, GROUP	1	—		
12207	16F11654	STRUCTURE, MOUNTING, FOR AERIAL AND TRANS/REC (1F11654) (Mod. 908) Spares for:— PANEL, ACCESS, GROUP	1	—	C	JB32/1627
28FP/4062655	EF5/458	Spares for:— Fastener, dzus	10	—	C	
		STRUCTURE, BOTTOM, CENTRE PORTION, REAR SPAR (1F10361) (Pre-Mod. 743) (79F10361) (Mod. 743) Spares for:—				
	36F10361	ARM, ROCKER, GROUP (Pre-Mod. 996)	1	—		
	3V7562	Spares for:— Arm, rocker	1	DTD683		
	4V6640	Pin, striker	1	—	MR	
	11V6106	Roller	1	S1	MR	
22832	8V6621	Bearing (Pre-Mod. 996)	1	S1	C	
	1665V7909	CABLE (F1665) DOOR SEAL MICRO SWITCH TO PLUG 411, GROUP (Pre-Mod. 996)	1	—		
	1701V7909	CABLE (F1701) DOOR VALVE TO DOOR MICRO SWITCH, GROUP (Pre-Mod. 996)	1	—		
12429	71F10361	DIAPHRAGM, GROUP	1	—	C	
	343F7753	PLATE, CATCH, PORT, GROUP (Pre-Mod. 996)	1	—		
	344F7753	PLATE, CATCH, STARBOARD, GROUP (Pre-Mod. 996) Spares for:—	1	—		
	64cD8820	Bolt	1	—		
	64bD8820	Roller	1	—		
28FP/4062679	Z100/78	Spring, dzus	7	—	C	
5CW/4400328	DOWTY C1831Y/MK2	Switch (Pre-Mod. 996)	2	—	B	

FUSELAGE
CENTRE PORTION

Ref. No.	Part No.	Description	No. off	Mati. Spec.	Cl. of St.	Plate and Illust'n No.
					M.R.	
		1 2 3 4				
		STRUCTURE, FUSELAGE, FOR NOSE WHEEL DOORS, PORT AND STARBOARD (59 & 60D9452) (Mod. 143)				
	51D9452	Spares for:— ANGLE, SEALING, GROUP	1	—		
	24D9452	Spares for:— Seal (Novatex type F 40 x 2.15" long) . . .	1	AP50		
	52D9452	ANGLE, SEALING, GROUP	1	—		
	27D9452	Spares for:— Seal (Novatex type F 40 x 2.65" long) . . .	1	AP50		
	54D9452	ANGLE, SEALING, GROUP	1	—		
	33D9452	Spares for:— Seal (Novatex type F 40 x 14.7" long) . . .	1	AP50		
	55D9452	ANGLE, SEALING, GROUP	1	—		
	48D9452	Spares for:— Seal (Novatex type F 40 x 10.75" long) . . .	1	AP50		
	56D9452	ANGLE, SEALING, GROUP	1	—		
	36D9452	Spares for:— Seal (Novatex type F 40 x 15" long)	1	AP50		
	57D9452	ANGLE, SEALING, GROUP	1	—		
	39D9452	Spares for:— Seal (Novatex type F 40 x 10.6" long) . . .	1	AP50	MR	

FUSELAGE
CENTRE PORTION

Ref. No.	Part No.	Description	No. off	Matl. Spec.	Cl. of	Plate and Illust'n No.
					St. M.R.	
		1 2 3 4				
		STRUCTURE, FUSELAGE, FOR NOSEWHEEL DOORS, PORT AND STARBOARD (59 & 60D9452) (Cont'd)				
	78D9452	ANGLE, SEALING, FORWARD, GROUP	1	-		
10672	78aD9452	Spares for:- Seal (Novatex type F40 x 11.67" long)	1	AP50	C	
	79D9452	ANGLE, SEALING, AFT, GROUP	1	-		
10673	79aD9452	Spares for:- Seal (Novatex type F40 x 13.53" long)	1	AP50	C	
		(Note:-Seals are made from Section 10SS3853, Ref. No. 26FP/7035)				
	38D8755	Bolt, special, for longeron joint	4	S96	MR	
	11D9452	Bracket, former attachment, port	4	L72	MR	
	12D9452	Bracket, former attachment, starboard	4	L72	MR	
	13D9452	Bracket, former attachment, port	3	L72	MR	
	14D9452	Bracket, former attachment, starboard	3	L72	MR	
	33D8755	Bracket, joint, for longeron, forward, port	1	DTD364B	MR	
	34D8755	Bracket, joint, for longeron, forward, starboard	1	DTD364B	MR	
	35D8755	Bracket, joint, for longeron, aft, port	1	DTD364B	MR	
	36D8755	Bracket, joint, for longeron, aft, starboard	1	DTD364B	MR	
	43D8755	Bracket, former attachment, port	1	L72	MR	
	44D8755	Bracket, former attachment, starboard	1	L72	MR	
	36D9453	LONGERON, PORT, GROUP	1	-	MR	JB15/1628
	37D9453	LONGERON, STARBOARD, GROUP	1	-	MR	JB15/1629
		Spares for:-				
5964	23D9455	Hinge, door	2	-	C	JB15/1630
	24D9455	Hinge, door	1	-		JB15/1631
	25D9455	Hinge, door	1	-	MR	JB15/1632
1433760	66D9455	Hinge, door	1	-	C	JB15/1633
6172	50D9452	PANEL, ACCESS, AT FORMER 204F", GROUP	1	-	B	JB27/1634
	7eD9452	Seal (Novatex type F40 x 8.25" long)	1	-		
	85D9452	Washer, special, for bolt (38D8755)	4	L83		
		STRUCTURE, NO. 2 TANK BAY, PORT AND STARBOARD (170D10486)				
		Spares for:-				
		BULKHEAD, TANK, AT FORMER 75F" (158D8618)				
		Spares for:-				
	219D8618	ANGLE, UNDERCARRIAGE DOOR, L.H., GROUP (Mod. 748)	1	-		JB30/1635

FUSELAGE
CENTRE PORTION

Ref. No.	Part No.	Description	No. off	Matl. Spec.	Cl. of	Plate and Illust'n No.
					St. M.R.	
		1 2 3 4				
		BULKHEAD, TANK, AT FORMER 75F'' (158D8618) (Cont'd)				
	220D8618	ANGLE, UNDERCARRIAGE DOOR, ... R.H., GROUP (Mod. 748)	1	—		JB30/1636
	4SS3237	Spares for:— Bolt, csk. head, for seals	26	—		JB30/1637
	222D8618	Seal, assy. R.H.	1	—	MR	JB30/1638
	221D8618	Seal, assy. L.H.	1	—	MR	JB30/1639
26FP/13942	1SS3867	Bracket, angle, for pipe clips	5	—	C	
	278D8618	BRACKET, COMPASS SIGHTING ... ROD, GROUP (Mod. 1657)	1	—		JB30/1640
	269D8618	Spares for:— BLOCK, SIGHTING ROD PIVOT, ... GROUP	1	—		JB30/1641
	279D8618	Spares for:— BLOCK, GROUP	1	—		
13063	269dD8618	Knob, for spigot	1	L83	C	
	269bD8618	Spigot	1	L83		
	178SS4700	Spring, for spigot	1	—	MR	
26FP/13457	5SS2868	Clip, pipe	14	—		
	4SS3859	Clip, pipe, 3/8"	5	—	C	
	10SS3859	Clip, pipe, 3/4"	12	—	MR	
27N/4526448	—	Clip, flame cord	16	L72	C	
5CZ/6354	—	Clip, fixing, for firewire	21	—	C	
28F/9471001	AGS1102/C	Coupling, pipe	2	—	C	
	144D8618	ELBOW, AT END PIPE JOINT, GROUP	2	—		JB30/1642
5CZ/7001128	—	Element, firewire, 10" long	4	—	B	
	174D8618	Fairlead	2	BSS668		
	7SS3530	Grommet, for tee piece	2	—		
28F/4051592	AGS1170/F	Nipple, pipe	8	—	C	
	135D8618	PIECE, MULTIPLE TEE, GROUP	1	—	MR	JB30/1643
	139D8618	PIECE, TEE, STARBOARD, GROUP	1	—	MR	JB30/1644
	140D8618	PIECE, TEE, PORT, GROUP	1	—	MR	JB30/1645
	137D8618	PIPE, VERTICAL SPRAY, TOP, GROUP	1	—	MR	JB30/1646
	138D8618	PIPE, VERTICAL SPRAY, BOTTOM, ... GROUP	1	—	MR	JB30/1647
	141D8568	PIPE, CENTRE FEED STARBOARD, ... GROUP	1	—	MR	JB30/1648

VULCAN No. 2

FUSELAGE
CENTRE PORTION

Page JB 103

Ref. No.	Part No.	Description	No. off	Matl. Spec.	Cl. of St.	Plate and Illust'n No.
					M.R.	
		1 2 3 4				
		BULKHEAD, TANK, AT FORMER 75F" (158D8618) (Cont'd)				
	142D8618	PIPE, CENTRE FEED, PORT, GROUP ...	1	—	MR	JB30/1649
	143D8618	PIPE, OUTER FEED, PORT AND STARBOARD, GROUP	1	—	MR	JB30/1650
	280D8618	PLATE, ANTI-FLASH, GROUP (Mod. 1657)	1	—	MR	
	1D11582	PROTECTOR, FLASH AND PITOT ... HEAD COVER, GROUP (Mod. 748)	1	—		JB30/1651
14754	8D11582	Spares for:— COVER, GROUP	1	—	C	
	9D11582	Member, "T" section	1	DTD130		
	2F9502	Plate, tank button	80	L72	MR	
	257D8618	Tube, stiffening assy.	2	—		
	17D9207	Clip, for conduits	88	—		
	8D9217	CLIP, CONDUITS, GROUP	4	—		
	124D104C6	Fairlead, forward of former 27F", top and bottom, port and starboard	4	BSS668		
	125D10486	Fairlead, aft of former 12, port	1	BSS668		
	126D10486	Fairlead, aft of former 12, starboard	1	BSS668		
7881	1D10520	FAIRING UNDER NO. 2 TANK BAY, PORT, GROUP	1	—	A	JB27/1652
7882	2D10520	FAIRING UNDER NO. 2 TANK BAY, STARBOARD, GROUP	1	—	A	JB27/1653
		Spares for:—				
	4SS4353	Bolt, csk. hd. 120°, 2 BA	36	S96	MR	
	6SS4353	Bolt, csk. hd. 120°, 2 BA	1	S96	MR	
	8SS4353	Bolt, csk. hd. 120°, 2 BA	4	S96	MR	
	10SS4353	Bolt, csk. hd. 120°, 2 BA	1	S96	MR	
	11SS4353	Bolt, csk. hd. 120°, 2 BA	2	S96	MR	
	13SS4353	Bolt, csk. hd. 120°, 2 BA	3	S96	MR	
	18SS4353	Bolt, csk. hd. 120°, 2 BA	2	S96	MR	
	20SS4353	Bolt, csk. hd. 120°, 2 BA	1	S96	MR	
	22SS4353	Bolt, csk. hd. 120°, 2 BA	1	S96	MR	
	23SS4353	Bolt, csk. hd. 120°, 2 BA	6	S96	MR	
	24SS4353	Bolt, csk. hd. 120°, 2 BA	2	S96	MR	
	27SS4353	Bolt, csk. hd. 120°, 2 BA	1	S96	MR	
	28SS4353	Bolt, csk. hd. 120°, 2 BA	2	S96	MR	
	127D10520	BRACKET, CHANNEL SUPPORT, GROUP	3	—	MR	
	128D10520	CHANNEL, SUPPORT, AT FORMER 12F", GROUP	1	—	MR	

FUSELAGE
CENTRE PORTION

Ref. No.	Part No.	Description	No. off	Matl. Spec.	Cl. of	Plate and Illust'n No.
					St. M.R.	
		1 2 3 4				
		FAIRINGS UNDER NO. 2 TANK BAY, PORT AND STARBOARD (1 & 2D10520) (Cont'd)				
	129D10520	CHANNEL, SUPPORT, AT FORMER .. 27F", GROUP	1	—	MR	
	130D10520	CHANNEL, SUPPORT, AT FORMER .. 42F", GROUP	1	—	MR	
	58D10520	Panel, access, rear	1	L72	MR	JB27/1654
26FP/10135	2SS4337	(Attachments, Panel 58D10520) Screw, csk. hd.	3	—	C	
	60D10520	PANEL, ACCESS, GROUP	4	—	MR	JB27/1655
28FP/4062385	FJ4/35	Spares for:— Fastener, dzus	4	—	C	
	75D10520	PANEL, ACCESS, FOR TANK SUMP, .. PORT, GROUP (Pre-Mod. 1017)	1	—		
	221D10520	PANEL, ACCESS, FOR TANK SUMP, .. PORT, GROUP (Mod. 1017)	1	—	MR	JB27/1656
	76D10520	PANEL, ACCESS, FOR TANK SUMP, .. STARBOARD, GROUP (Pre-Mod. 1017)	1	—		
	222D10520	PANEL, ACCESS, FOR TANK SUMP, .. STARBOARD, GROUP (Mod. 1017)	1	—	MR	JB27/1657
		Spares for:—				
28FP/4070045	TFR5/19M	Fastener, dzus	1	—	C	
12441	TFR5/19M/07	Fastener, dzus	1	—	C	
28FP/4070046	TFR5/19M/22	Fastener, dzus	1	—	C	
12443	TFR5/19M/33	Fastener, dzus	1	—	C	
12444	TFR5/19M/57	Fastener, dzus	1	—	C	
	TFR5/25M	Fastener, dzus	6	—	MR	
12584	TFR5/25M/13	Fastener, dzus	1	—	C	
12585	TFR5/25M/26	Fastener, dzus	1	—	C	
12586	TFR5/25M/45	Fastener, dzus	1	—	C	
12445	TFR5/31M/67	Fastener, dzus	2	—	C	
12446	TFR5/31M/72	Fastener, dzus	2	—	C	
12447	TFR5/31M/77	Fastener, dzus	1	—	C	
12583	TFR5/25M/07	Fastener, dzus	1	—	C	
28FP/4069928	TFR5/1G	Grommet	20	—	C	
	16F9207	Panel, access (Mod. 1017)	1	L72	MR	JB27/1658
28FP/9455495	S4/250	Spring, dzus (Mod. 1017)	2	—	C	
	62D10520	RING, REINFORCING, FOR ACCESS .. PANEL, GROUP	4	—		
		Spares for:—				
28FP/9438491	S4/275	Spring, dzus	4	—	C	

VULCAN Mk. 2

FUSELAGE
CENTRE PORTION

Page JB. 105

Ref. No.	Part No.	Description	No. off	Matl. Spec.	Cl. of	Plate and Illust'n No.
					St. M.R.	
		1 2 3 4				
		FAIRING, UNDER NO. 2 TANK BAY, PORT AND STARBOARD (1 & 2D10520) (Cont'd)				
	125D10520	RING, REINFORCING, FOR ACCESS .. PANEL, GROUP	1	—		
28M/4095866	AGS2007/C1	Spares for:— Nut, anchor, 2 BA	2	—	C	
	119D10520	Screw, blanking, at former 12"	1	S1	MR	
	120D10520	Screw, blanking, at former 12"	1	S1		
		STRUCTURE, TRUNNION, FORWARD, FOR ATTACHMENT OF FUEL TANK FAIRING, PORT AND STARBOARD (1 & 2D10677) (Pre Mod 996, Spares for:—				
	23D10517	Screw, blanking	1	—	MR	
7892	26D10517	TRUNNION, FORWARD PAIR	1	—	B	JB27/1659
		GROUP Spares for:—				
	2bD10517	Block, trunnion	1	L65		
	49cD8651	Plate, retaining	1	L72		
2263	49dD8651	Spring	1	—	C	
		Attachments, Trunnion (26D10517)				
28D/9436920	A25/1C	Bolt, 2 BA	4	—	C	
28M/1012015	AGS2001/C166	Nut	4	—	C	
28W/9419402	SP13/C	Washer	4	—	C	
33FP/4069929	TFR5/IP	PLATE, TENSION, DZUS FASTENER, ... GROUP	40	—	C	
		Consisting of:—				
	TFR5/IP/3	Bush	1	—		
	TFR5/IP/1	Plate, base	2	—		
	TFR5/IP/2	Spring	1	—		
		SKINNING, INTERNAL, NO 2 TANK BAY, PORT AND STARBOARD (1 & 2D10541) Spares for:—				
		PANEL, INSPECTION, FOR FLYING CONTROLS (1D9104) Spares for:—				
	2D9104	Panel, inspection	3	L72		
	2F9252	Plate, tank button	170	L72	MR	

FUSELAGE
CENTRE PORTION

Ref. No.	Part No.	Description	No. off	Mati. Spec.	Cl. of St.	Plate and Illust'n No.
					M.R.	
		1 2 3 4				
		STRUCTURE, NO. 2 TANK BAY, PORT AND STARBOARD (170D10486) (Cont'd)				
		SKINNING UNDER NO. 2 TANK BAY (1D10539)				
		Spares for:—				
	7D10539	PANEL, ACCESS, PORT, GROUP	1	—		JB27/1661
	8D10539	PANEL, ACCESS, STARBOARD,	1	—		JB27/1662
		GROUP				
		Spares for:—				
28FP/4070045	TFR5/19M	Fastener, dzus	5	—	C	
	TFR5/25M	Fastener, dzus	10	—	MR	
	TFR5/31M	Fastener, dzus	5	—		
28FP/4069928	TFR5/1G	Grommet, dzus	20	—	C	
		STRUCTURE FOR BOMB DOOR SEALS AT FRONT SPAR (1D10613)				
		Spares for:—				
	7D10613	MEMBER, REMOVABLE, PORT	1	—		JB25/1663
		CENTRE, GROUP				
	8D10613	MEMBER, REMOVABLE, STAR-	1	—		JB25/1664
		BOARD, CENTRE, GROUP				
	69D10613	MEMBER, REMOVABLE, CENTRE,	1	—		JB25/1665
		GROUP				
	5D10613	MEMBER, WEB AND SEAL ATTACH-	1	—		
		MENT, CENTRE, INBOARD, PORT, GROUP				
	6D10613	MEMBER, WEB AND SEAL ATTACH-	1	—		
		MENT, CENTRE, INBOARD, STARBOARD, GROUP				
	9D10613	MEMBER, WEB AND SEAL ATTACH-	1	—		
		MENT, CENTRE, OUTBOARD, PORT, GROUP				
	10D10613	MEMBER, WEB AND SEAL ATTACH-	1	—		
		MENT, CENTRE, OUTBOARD, STARBOARD, GROUP				
	11D10613	MEMBER, WEB AND SEAL ATTACH-	1	—		
		MENT, OUTBOARD PORT, GROUP				
	12D10613	MEMBER, WEB AND SEAL ATTACH-	1	—		
		MENT, OUTBOARD, STARBOARD, GROUP				
		Spares for:—				
28FP/9429531	S4/225	Spring, dzus	7	—	C	
	13D10613	PLATE, COVER, CENTRE PORT,	1	—	MR	JB25/1666
		GROUP				
	14D10613	PLATE, COVER, CENTRE STAR-	1	—	MR	JB25/1667
		BOARD, GROUP				
	15D10613	PLATE, COVER, CENTRE OUT-	1	—	MR	JB25/1668
		BOARD, PORT, GROUP				

FUSELAGE
CENTRE PORTION

Ref. No.	Part No.	Description	No. off	Mati. Spec.	Cl. of St.	Plate and Illust'n No.
					M.R.	
		1 2 3 4				
		STRUCTURE, JET PIPE, INBOARD AND OUTBOARD, PORT AND STARBOARD (62 & 64F9524) (Cont'd)				
		FORMER, 370", INNER AND OUTER, ... PORT AND STARBOARD (58, 59, 60 & 61F8090) (Mod. 895)				JB31/1679
	9F8090	Spares for:- Angle, former, inner and outer, port and starboard	1	L72		
2279	10F8090	Angle, former joint	2	L72	MR/C	
2280	17F8090	Channel, joint	2	L72	MR/C	
	29F8090	Pressing, portion	1	L72		
		FORMER 384.5", INNER AND OUTER, ... PORT AND STARBOARD (1, 2, 3 & 4F8091)				JB31/1680
		Spares for:-				
2286	13F8091	Channel, joint	1	L72	MR/C	
2287	14F8091	Channel, joint	1	L72	MR/C	
2283	10F8091	Former, bottom portion	1	L72	MR/C	
		FORMER 399", INNER AND OUTER, ... PORT AND STARBOARD (1, 2, 3 & 4F8092)				JB31/1681
		Spares for:-				
2288	13F8092	Channel, joint	1	L72	MR/C	
2289	14F8092	Channel, joint	1	L72	MR/C	
2284	11F8092	Former, bottom portion	1	L72	MR/C	
		FORMER 413.5", INNER AND OUTER, PORT AND STARBOARD (1, 2, 3 & 4F8093)				JB31/1682
		Spares for:-				
	5F8093	Angle, stiffening	1	L72	MR	
	8F8093	Angle, joint, bottom	1	L72	MR	
2290	6F8093	Channel, joint	1	L72	MR/C	
2291	17F8093	Channel, joint	1	L72	MR/C	
	15F8093	Former, bottom portion	1	L72	MR	
		FORMER AT STATION 31, INNER AND OUTER, PORT AND STARBOARD (63 & 64F11016) (Mod. 698)				JB31/1683
		Spares for:-				
1432932	27F11016	Bracket, stringer, at rib 162.5", port (Pre-Mod. 2228)	1	L65	MR/C	
1505028	115F11016	Bracket, stringer, at rib 162.5", port (Mod. 2228)	1	-	MR/C	
	116F11016	Bolt, special (Mod. 2228)	1	-	MR	
	28F11016	Bracket, stringer, at rib 162.5", starboard	1	L65	MR	
	113F11016	Bracket, L.H. (Mod. 2189)	1	-		
	114F11016	Bracket, R.H. (Mod. 2189)	1	-		

VULCAN No. 2

FUSELAGE
CENTRE PORTION

Page JB. 109

Ref. No.	Part No.	Description	No. off	Mati. Spec.	Cl. of St.	Plate and Illust'n No.
					M.R.	
		FORMER AT STATION 31, INNER AND OUTER, PORT AND STARBOARD (63 & 64F11016) (Cont'd)				
	65F11016	FORMER ASSY. PORT, GROUP	1	—	MR	
	66F11016	FORMER ASSY. STARBOARD, GROUP	1	—	MR	
		Spares for:—				
	109F11016	Fitting, strut	1	S94		
	69F11016	PLATE, GUSSET, AT RIB 113.3", ... GROUP	1	—	MR	
	70F11016	PLATE, GUSSET, AT RIB 113.3", ... GROUP	1	—	MR	
	110F11016	Stud, blanking, at strut fitting	1	S1		
	17F11016	PLATE, GUSSET, AT RIB 63.5", PORT, GROUP	1	—	MR	
	18F11016	PLATE, GUSSET, AT RIB 63.5", ... STARBOARD, GROUP	1	—	MR	
		FORMER AT STATION 32, PORT AND STARBOARD (35 & 36F8082) (Mod. 729)				JB31/1684
		Spares for:—				
	3F8164	Bracket, attachment, port	1	L72	MR	
	4F8164	Bracket, attachment, starboard	1	L72	MR	
	3F8357	Bracket, flanged, port	1	L72		
	4F8357	Bracket, flanged, starboard	1	L72	MR	
	12F7899	Bracket, stringer, port and starboard	1	DTD364B	MR	
	37F8082	FORMER ASSY. PORT, GROUP	1	—	MR	
	38F8082	FORMER ASSY. STARBOARD, GROUP	1	—	MR	
		Spares for:—				
	12.0.3733	Bracket, brake parachute extractor attachment	1	—	MR	
		FORMER AT STATION 33, PORT AND STARBOARD (51 & 52F8078) (Mod. 729)				JB31/1685
		Spares for:—				
	63F8078	Bracket, stringer	2	DTD683	MR	
	94F8078	Bracket, stringer	1	DTD364B	MR	
		FORMER AT STATION 34, PORT AND STARBOARD (19 & 20F8083) (Mod. 729)				JB31/1686
		Spares for:—				
2310	5F8166	Angle, skin attachment, port	1	L72	MR/C	
2311	6F8166	Angle, skin attachment, starboard	1	L72	MR/C	
2298	5F8357	Bracket, flanged, port	1	L72	MR/C	
2299	6F8357	Bracket, flanged, starboard	1	L72	MR/C	
	15F8085	Bracket, stringer attachment	1	DTD364B	MR	

FUSELAGE
CENTRE PORTION

Ref. No.	Part No.	Description	No. off	Mtl. Spec.	Cl. of	Plate and Illust'n No.
					St. M.R.	
		1 2 3 4				
		STRUCTURE, JET PIPE, INBOARD AND OUTBOARD, PORT AND STARBOARD (62 & 64F9524) (Cont'd)				
		FORMER AT STATION 35, PORT AND STARBOARD (27 & 28F8084) (Mod. 729)				JB31/1687
		Spares for:—				
2313	7F8166	Angle, skin attachment, port	1	L72		
2300	8F8166	Angle, skin attachment, starboard	1	L72	C	
2301	7F8357	Bracket, flanged, port	1	L72	C	
	8F8357	Bracket, flanged, starboard	1	L72	C	
	15F8085	Bracket, stringer attachment	1	DTD364B	MR	
		FORMER AT STATION 36, PORT AND STARBOARD (92 & 93F8079) (Mod. 729)				JB31/1688
		Spares for:—				
	111F9524	Bracket, aft, port	2	L65	MR	
	112F9524	Bracket, aft, starboard	2	L65	MR	
	103F9524	Bracket, forward, port	2	L65	MR	
	104F9524	Bracket, forward, starboard	2	L65	MR	
	63F8078	Bracket, stringer attachment	1	DTD683	MR	
	1D8960	Bracket, attachment	1	—	MR	
		FORMER AT STATION 37, PORT AND STARBOARD (39 & 40F9620) (Mod. 729)				JB31/1689
		Spares for:—				
6145	9F8166	Angle, skin attachment, port	1	L72	MR	
	10F8166	Angle, skin attachment, starboard	1	L72	MR	
	15F9620	Bracket, skin attachment, port	1	L72	C	
	16F9620	Bracket, skin attachment, starboard	1	L72	MR	
	13F9620	Bracket, stringer, port	1	DTD364B	MR	
	14F9620	Bracket, stringer, starboard	1	DTD364B	MR	
	29F9620	Housing, crutch	1	L53	MR	
	30F9620	Housing, crutch	1	L53	MR	
		FORMER AT STATION 38, PORT AND STARBOARD (25 & 26F8086) (Mod. 729)				JB31/1690
		Spares for:—				
2316	11F8166	Angle, skin attachment, port	1	L72	C	
2317	12F8166	Angle, skin attachment, starboard	1	L72	C	
2304	11F8357	Bracket, flanged, port	1	L72	C	
	12F8357	Bracket, flanged, starboard	1	L72	MR	
	15F8085	Bracket, stringer attachment	1	DTD364B		
		FORMER AT STATION 39, PORT AND STARBOARD (73 & 74F8080) (Mod. 729)				JB31/1691
		Spares for:—				
	13F7899	Bracket, stringer, port and starboard	1	DTD683	MR	
	95F8080	Bracket, stringer, port	1	DTD364B	MR	
	96F8080	Bracket, stringer, starboard	1	DTD364B	MR	

VULCAN Mk. 2

FUSELAGE
CENTRE PORTION

Page JB. 111

Ref. No.	Part No.	Description	No. off	Matl. Spec.	Cl. of St.	Plate and Illust'n No.
					M.R.	
		1 2 3 4				
		STRUCTURE, JET PIPE, INBOARD AND OUTBOARD, PORT AND STARBOARD (62 & 64F9524) (Cont'd)				
		FORMER AT STATION 40, PORT AND STARBOARD (29 & 30F8087) (Mod. 729)				JB31/1692
		Spares for:-				
	1F8196	Angle, skin attachment, port	1	L72	MR	
	2F8196	Angle, skin attachment, starboard	1	L72	MR	
	1F8358	Bracket, flanged, port	1	L72	MR	
	2F8358	Bracket, flanged, starboard	1	L72	MR	
	15F8087	Bracket, stringer, port	1	DTD364	MR	
	16F8087	Bracket, stringer, starboard	1	DTD364	MR	
		FORMER AT STATION 41, PORT AND STARBOARD (29 & 30F8088) (Mod. 729)				JB31/1693
		Spares for:-				
	3F8196	Angle, skin attachment, port	1	L72	MR	
	4F8196	Angle, skin attachment, starboard	1	L72	MR	
	5F8358	Bracket, flanged, port	1	L72	MR	
	6F8358	Bracket, flanged, starboard	1	L72	MR	
	15F8185	Bracket, stringer, port	1	DTD683	MR	
	17F8088	Bracket, stringer, port	1	DTD683	MR	
	18F8088	Bracket, stringer, starboard	1	DTD683	MR	
		FORMER AT STATION 42, PORT AND STARBOARD (37 & 38F8089) (Mod. 728)				JB31/1694
		Spares for:-				
	17F8089	Bracket, flanged, port	1	L72	MR	
	18F8089	Bracket, flanged, starboard	1	L72	MR	
	25F8089	Bracket, stringer, port	1	DTD683	MR	
	26F8089	Bracket, stringer, starboard	1	DTD683	MR	
	1F10068	INTERCOSTAL 31, PORT, GROUP	1	-	MR	
	2F10068	INTERCOSTAL 31, STARBOARD, GROUP	1	-	MR	
	1F10069	INTERCOSTAL 32, PORT, GROUP	1	-	MR	
	2F10069	INTERCOSTAL 32, STARBOARD, GROUP	1	-	MR	
	1F10070	INTERCOSTAL 33, PORT, GROUP	1	-	MR	
	2F10070	INTERCOSTAL 33, STARBOARD, GROUP	1	-	MR	
	1F10071	INTERCOSTAL 34, PORT, GROUP	1	-	MR	
	2F10071	INTERCOSTAL 34, STARBOARD, GROUP	1	-	MR	
	1F10072	INTERCOSTAL 35, PORT, GROUP	1	-	MR	
		Spares for:-				
1432992	15F10073	Bracket, web (Mod. 2080)	1	-	MR/C	
1432994	17F10073	Bracket, stringer (Mod. 2080)	1	-	MR/C	

FUSELAGE
CENTRE PORTION

Ref. No.	Part No.	Description				No. off	Matl. Spec.	Cl. of St.	Plate and Illust'n No.
		1	2	3	4			M.R.	
		STRUCTURE, JET PIPE, INBOARD AND OUTBOARD, PORT AND STARBOARD (62 & 64F9524) (Cont'd)							
	2F10072	INTERCOSTAL 35, STARBOARD, GROUP				1	—	MR	
		Spares for:—							
1432993	16F10073	Bracket, web (Mod. 2080)				1	—	MR/C	
1432995	18F10073	Bracket, stringer (Mod. 2080)				1	—	MR/C	
	1F10073	INTERCOSTAL 36, PORT, GROUP				1	—	MR	
		Spares for:—							
1432992	15F10073	Bracket, web (Mod. 2080)				1	—	MR/C	
1432994	17F10073	Bracket, stringer (Mod. 2080)				1	—	MR/C	
	2F10073	INTERCOSTAL 36, STARBOARD, GROUP				1	—	MR	
		Spares for:—							
1432993	16F10073	Bracket, web (Mod. 2080)				1	—	MR/C	
1432995	18F10073	Bracket, stringer (Mod. 2080)				1	—	MR/C	
	1F10074	INTERCOSTAL 37, PORT, GROUP				1	—	MR	
	2F10074	INTERCOSTAL 37, STARBOARD, GROUP				1	—	MR	
	1F10075	INTERCOSTAL 38, PORT, GROUP				1	—	MR	
		Spares for:—							
	79F10075	Bracket, web (Mod. 2080)				1	—	MR	
1432994	17F10073	Bracket, stringer (Mod. 2080)				1	—	MR/C	
	2F10075	INTERCOSTAL 38, STARBOARD, GROUP				1	—	MR	
		Spares for:—							
	80F10075	Bracket, web (Mod. 2080)				1	—	MR	
1432995	18F10073	Bracket, stringer (Mod. 2080)				1	—	MR/C	
	1F10076	INTERCOSTAL 39, PORT, GROUP				1	—	MR	
	2F10076	INTERCOSTAL 39, STARBOARD, GROUP				1	—	MR	
	1F10077	INTERCOSTAL 40, PORT, GROUP				1	—	MR	
	2F10077	INTERCOSTAL 40, STARBOARD, GROUP				1	—	MR	
	1F10078	INTERCOSTAL 41, PORT, GROUP				1	—	MR	
	2F10078	INTERCOSTAL 41, STARBOARD GROUP				1	—	MR	
	1F10079	INTERCOSTAL 42, PORT, GROUP				1	—	MR	
	2F10079	INTERCOSTAL 42, STARBOARD, GROUP				1	—	MR	
	185F9524	INTERCOSTAL, REAR SPAR TO FORMER 370", TOP, PORT, GROUP				13	—	MR	
	186F9524	INTERCOSTAL, REAR SPAR TO FORMER 370", TOP, STARBOARD, GROUP				13	—	MR	

FUSELAGE
CENTRE PORTION

Ref. No.	Part No.	Description	No. off	Matl. Spec.	Cl. of	Plate and Illust'n No.
					St. M.R.	
		1 2 3 4				
		STRUCTURE, JET PIPE, INBOARD AND OUTBOARD, PORT AND STARBOARD (62 & 64F9524) (Cont'd)				
	187F9524	INTERCOSTAL, REAR SPAR TO FORMER 370", TOP, PORT, GROUP	1	—	MR	
	188F9524	INTERCOSTAL, REAR SPAR TO FORMER 370", TOP, STARBOARD, GROUP (Mod. 895)	1	—	MR	
	189F9524	INTERCOSTAL, REAR SPAR TO FORMER 370", TOP, PORT, GROUP	1	—	MR	
	190F9524	INTERCOSTAL, REAR SPAR TO FORMER 370", TOP, STARBOARD, GROUP (Mod. 895)	1	—	MR	
	191F9524	INTERCOSTAL, REAR SPAR TO FORMER 370", BOTTOM, STARBOARD, GROUP (Mod. 895)	5	—	MR	
	192F9524	INTERCOSTAL, REAR SPAR TO FORMER 370", BOTTOM, PORT, GROUP (Mod. 895)	5	—	MR	
	193F9524	INTERCOSTAL, REAR SPAR TO FORMER 370", BOTTOM, PORT, GROUP (Mod. 895)	2	—	MR	
	194F9524	INTERCOSTAL, REAR SPAR TO FORMER 370", BOTTOM, STARBOARD, GROUP (Mod. 895)	2	—	MR	
	195F9524	INTERCOSTAL, REAR SPAR TO FORMER 370", BOTTOM, PORT, GROUP (Mod. 895)	4	—	MR	
	196F9524	INTERCOSTAL, REAR SPAR TO FORMER 370", BOTTOM, STARBOARD, GROUP (Mod. 895)	4	—	MR	
	197F9524	INTERCOSTAL, REAR SPAR TO FORMER 370", BOTTOM, PORT, GROUP (Mod. 895)	4	—	MR	
	198F9524	INTERCOSTAL, REAR SPAR TO FORMER 370", BOTTOM, STARBOARD, GROUP (Mod. 895)	4	—	MR	
	199F9524	INTERCOSTAL, REAR SPAR TO FORMER 370", BOTTOM, STARBOARD, GROUP (Mod. 895)	1	—	MR	
	200F9524	INTERCOSTAL, REAR SPAR TO FORMER 370", BOTTOM, PORT, GROUP	1	—	MR	
	201F9524	INTERCOSTAL, REAR SPAR TO FORMER 370", BOTTOM, PORT, GROUP (Mod. 895)	1	—	MR	
	202F9524	INTERCOSTAL, REAR SPAR TO FORMER 370", BOTTOM, STARBOARD, GROUP (Mod. 895)	1	—	MR	
		RAILS, GUIDE, JET PIPE, PORT AND STARBOARD (F10603) (See Power Installation—Engine)				

FUSELAGE
CENTRE PORTION

Ref. No.	Part No.	Description	No. off	Mati. Spec.	Cl. of	Plate and Illust'n No.
					St.	
		1 2 3 4				
12058		SKINS, INNER JET PIPE TUNNEL, INNER AND OUTER, PORT AND STARBOARD (1, 2, 3 & 4F11120) (Mod. 855)				
		Spares for:—				
		JOINT, TORSION, GROUP	4	—	MR	JB31/1695
		Spares for:—				
		HALF, BOTTOM, GROUP	1	—	MR	
		HALF, TOP, GROUP	1	—	MR	
		Spares for:—				
		Seal, half	1	—	MR	
		39F11120				
		39hF11120				
	39jF11120					
	39bF11120					
	3F9524	SKIN, TUNNEL, INNER AND OUTER, FORWARD TOP, GROUP Consisting of:—	1	—	C	JB31/1696
	3aF9524	Skin	1	Titanium		
	3bF9524	Skin	1	Titanium		
6279	4F9524	SKIN, TUNNEL, INNER AND OUTER, FORWARD BOTTOM, GROUP Consisting of:—	1	—	MR/C	JB31/1697
	4aF9524	Skin	1	Titanium		
	4bF9524	Skin	1	Titanium		
	4cF9524	Skin	1	Titanium		
	12F9524	Skin, aft centre, at rear spar	1	Titanium	MR	JB31/1698
	21F9524	SKIN, TUNNEL, INBOARD, TOP, CENTRE, GROUP Consisting of:—	1	—	MR	JB31/1699
	21aF9524	Skin	1	Titanium		
	21bF9524	Skin	1	Titanium		
6281	22F9524	SKIN, TUNNEL, INBOARD, BOTTOM, CENTRE, GROUP Consisting of:—	1	—	C	JB31/1700
	22aF9524	Skin	1	Titanium		
	22bF9524	Skin	1	Titanium		
	22C9524	Skin	1	Titanium		
	23F9524	SKIN, TUNNEL, INBOARD, FORWARD, REAR SPAR, TO CENTRE, GROUP Consisting of:—	1	—	MR	JB31/1701
	23aF9524	Skin	1	Titanium		
	23bF9524	Skin	1	Titanium		
6282	24F9524	SKIN, TUNNEL, INBOARD, FORWARD, REAR SPAR, BOTTOM, CENTRE, GROUP Consisting of:—	1	—	C	JB31/1702
	25aF9524	Skin	1	Titanium		
	24bF9524	Skin	1	Titanium		
	24cF9524	Skin	1	Titanium		

VULCAN Mk. 2

FUSELAGE
CENTRE PORTION

Page JB. 115

Ref. No.	Part No.	Description	No. off	Mati. Spec.	Cl. of	Plate and Illust'n No.
					St. M.R.	
		1 2 3 4				
		SKINS, INNER, JET PIPE TUNNEL, INNER AND OUTER, PORT AND STARBOARD (1, 2, 3, & 4F11120) (Mod. 855) (Cont'd)				
	25F9524	SKIN, TUNNEL, INBOARD, TOP, PORT, INBOARD, GROUP Consisting of:—	1	—	MR	JB31/1703
	25aF9524	Skin	1	Titanium		
	25bF9524	Skin	1	Titanium		
	26F9524	SKIN, TUNNEL, INBOARD, TOP, STARBOARD, INBOARD, GROUP Consisting of:—	1	—	MR	JB31/1704
	26aF9524	Skin	1	Titanium		
	26bF9524	Skin	1	Titanium		
6285	27F9524	SKIN, TUNNEL, INBOARD AND OUTBOARD, BOTTOM, GROUP Consisting of:—	1	—	MR/C	JB31/1705
	27aF9524	Skin	1	Titanium		
	27bF9524	Skin	1	Titanium		
	27cF9524	Skin	1	Titanium		
	28F9524	SKIN, TUNNEL, INBOARD AND OUTBOARD, TOP AFT, GROUP Consisting of:—	1	—	MR	JB31/1706
	28aF9524	Skin	1	Titanium		
	28bF9524	Skin	1	Titanium		
6286	29F9524	SKIN, TUNNEL, INBOARD AND OUTBOARD, BOTTOM AFT, GROUP Consisting of:—	1	—	MR/C	JB31/1707
	29aF9524	Skin	1	Titanium		
	29bF9524	Skin	1	Titanium		
	29cF9524	Skin	1	Titanium		
	42F11120	Skin, top (Made from 28F9524)	1	—	MR	
	43F11120	Skin, bottom (Made from 29F9524)	1	—	MR	
	44F11120	Skin, top (Made from 28F9524)	1	—	MR	
	45F11120	Skin, bottom (Made from 29F9524)	1	—	MR	
	46F11120	Skin, top (Made from 23F9524)	1	—	MR	
	47F11120	Skin, bottom (Made from 24F9524)	1	—	MR	
	48F11120	Skin, top (Made from 23F9524)	1	—	MR	
	49F11120	Skin, bottom (Made from 24F9524)	1	—	MR	

FUSELAGE
CENTRE PORTION

Ref. No.	Part No.	Description	No. off	Mati. Spec.	Cl. of St.	Plate and Illust'n No.
					M.R.	
		1 2 3 4				
		STRUCTURE, JET PIPE (62 & 64F9524) (Cont'd)				
		STRUCTURE, SUPPORT, JET PIPE ROLLERS (1F11157) (Mod. 698) Spares for:—				
	30F11157	BEAM, ASSEMBLY, AT RIB 162.5", STARBOARD, GROUP	1	—	MR	
	48F11157	BEAM ASSEMBLY, AT RIB 113.3", INBOARD AND OUTBOARD, PORT AND STARBOARD, GROUP	1	—	MR	
	11F11022	Bracket, roller support	1	L65	MR	
		STRUCTURE UNDER POWER COMPARTMENT (10D10981) (Mod. 743) Spares for:—				
	22D9829	Bracket, at forward cross member, starboard	1	L72		
2332	23D9829	Bracket, at forward cross member, port	1	L72	C	
	3D11145	Bracket, mounting	2	DTD410		
	4D11145	Bracket, mounting, port	1	DTD410		
	5D11145	Bracket, mounting, starboard	1	DTD410		
	187D8610	Bracket, stringer	7	L72		
	16D10981	Gate, for levers (Mod. 748)	1	S510		
	13D10981	Lever, cocking assy (Mod. 748)	1	—		
	12D10981	Lever, release assy (Mod. 748)	1	—		
	8D10981	PANEL, ACCESS, GROUP	1	—	MR	JB27/1708
		Spares for:—				
28FP/4062656	EF5/35A	Fastener, dzus	5	—	C	
28FP/736	EF5/40A	Fastener, dzus	21	—	C	
	19D10981	Tube, drain	4	—	C	
		PLATFORM, SUPPORT, FOR CONTROL UNIT (1D10988) Spares for:—				
1432825	10D10988	Support, top hat (Mod. 1245)	1	L72	C	
1432826	11D10988	Support, top hat (Mod. 1245)	1	L72	C	
28FP/341	S5/325	Spring, dzus	21	—	C	
14197	15D10981	Spring, tension (Mod. 748)	2	DTD215	C	
		STRUTS BETWEEN BOMB ARCHES 243.127" AND 259.092", PORT AND STARBOARD (1 & 2D11326) Spares for:—				
	10D11326	Bracket, bomb arch 259.092", port	1	L77		
	11D11326	Bracket, bomb arch 259.092", starboard	1	L77		
	3D11326	STRUT GROUP	1	—		
	4D11326	STRUT GROUP	1	—		

FUSELAGE
CENTRE PORTION

Ref. No.	Part No.	Description	No. off	Matl. Spec.	Cl. of	Plate and Illust'n No.
					St. M.R.	
		1 2 3 4				
STRUCTURE, CENTRE PORTION (D10631) (Cont'd)						
SUPPORT, DRIP TRAY, AT FORMERS 101" AND 115.5" (1D10010)						
Spares for:—						
21772	9D10010	Fairlead	6	BSS668	C	JB30/1709
	11D10010	Fairlead	4	BSS668	MR	JB30/1710
21775	14D10010	Fairlead	1	BSS668	C	JB30/1711
21776	15D10010	Fairlead	1	BSS668	C	JB30/1712
21771	8D10010	Seal (Gaco)	6	—	C	JB30/1713
	10D10010	Seal (Gaco)	4	—	MR	JB30/1714
21773	12D10010	Seal (Gaco)	1	—	C	JB30/1715
21774	13D10010	Seal (Gaco)	1	—	C	JB30/1716
TELESCOPIC STRUT, BOMB DOORS (2D9451) (Mod. 1237)						
Spares for:—						
	7D9193	Bracket, pivot, rear	1	DTD3648		
	8D9193	Bracket, pivot, rear	1	DTD3648		
	15D9451	Bracket, pivot, forward	1	DTD3648		
	16D9451	Bracket, pivot, forward	1	DTD3648		
27QM/4173981	DOWTY 1.01006.001	Strut, telescopic	4	—	A	JB22/1717
SUIT, VENTILATED SYSTEM (118Z9303) (See Equipment, Aircraft—Ventilated Suit System)						
TRAY, DRIP, FOR No. 1 FUEL TANK (1Z7349)						
Spares for:—						
28E/9712163	SP.91/C	Clip, hose	2	—	C	
	34Z7349	ELBOW, FOR STARBOARD DRIP TRAY, .. GROUP	1	—	MR	JB30/1718
5K/9525275	SP40/B14 37Z7349	Grommet, rubber	1	—	C	
	36Z7349	Hose, for pipe joints	2	DTD625A		
	36Z7349	PIECE, TEE, FOR PORT DRIP TRAY,	1	—	MR	JB30/1719
	24Z7349	GROUP				
	24Z7349	PIPE, OUTLET, 1/4" O/D x 22G x 21"	1	—		JB30/1720
	32Z7349	LONG, STARBOARD, GROUP				
	32Z7349	PIPE, TOP, STARBOARD, GROUP	1	—	MR	JB30/1721
8770	33Z7349	PIPE, CENTRE, STARBOARD, GROUP	1	—	C	JB30/1722
	35Z7349	Pipe, between trays	1	L54	MR	JB30/1723
	19Z7349	Seal, at elbow and tee piece on trays	2	Langite	MR	JB30/1724

FUSELAGE
CENTRE PORTION

Ref. No.	Part No.	Description	No. off	Matl. Spec.	Cl. of	Plate and Illust'n No.
					St.	
		1 2 3 4				
TRAY, DRIP, FOR No. 1 FUEL TANK (1Z7349) (Cont'd)						
10276	2Z7349	TRAY, DRIP, PORT, GROUP	1	—	MR	
	45Z7349	(Pre-Mod. 1017) TRAY, DRIP, PORT, GROUP	1	—	B	JB30/1725
10277	3Z7349	(Mod. 1017) TRAY, DRIP, STARBOARD, GROUP	1	—		
	46Z7349	(Pre-Mod. 1017) TRAY, DRIP, STARBOARD, GROUP	1	—	B	JB30/1726
		Spares for:—				
	41Z7349	Boss, special (Mod. 1017)	1	—	MR	
	1SS5002	Chain, retaining (Mod. 1017)	1	—	MR	
	2eZ7349	COVER GROUP	1	—		JB30/1727
		Spares for:—				
28FP/ 9520205	A3/20	Fastener, dzus	2	—	C	
26FP/10114	44Z7349	Gasket (Mod. 1017)	1	—	MR	JB30/1728
	1SS1585	Lug, for chain (Mod. 1017)	2	—	C	
	43Z7349	Piece, packing (Mod. 1017)	1	—		
11787	40Z7349	Plug (Mod. 1017)	1	—	MR	JB30/1729
	42Z7349	Ring, reinforcing (Mod. 1017)	1	—	C	JB30/1730
	21Z7349	Seal, 14-3/4" x 2-1/2" x 1/16"	4	Rubber	MR	JB30/1731
	2mZ7349	Seal, 17-1/2" x 2-1/2" x 1/16"	1	Rubber	MR	JB30/1732
	2tZ7349	Seal, 16" x 1.75"	2	Rubber	MR	JB30/1733
28FP/ 1200486	3SS4649	Seal, for plug (Mod. 1017)	1	Rubber	MR	JB30/1734
	S3/150	Spring, dzus	2	—	C	
TROUGHING IN BOMB BAY, PORT AND STARBOARD (1 & 2V8031)						
		Spares for:—				
	117V8031	Angle	2	L72		JB34/1750
	118V8031	Angle	2	L72		JB33/1751
	119V8031	Angle, port	1	L72		JB35/1752
	120V8031	Angle, starboard	1	L72		JB36/1753
	124V8031	Angle	2	L72		JB33/1754
	125V8031	Angle	6	L72		JB33/1755
	132V8031	Angle, starboard	1	L72		JB33/1756
	133V8031	Angle, port	1	L72		JB34/1757
	134V8031	Angle	2	L72		JB35/1758
	135V8031	Angle, port	1	L72		JB35/1759
	136V8031	Angle, starboard	1	L72		JB36/1760
	153V8031	Angle, attachment, port	1	L72		JB37/1761
	154V8031	Angle, attachment, starboard	1	L72		JB35/1762
	155V8031	Angle, attachment	2	L72		JB37/1763
	164V8031	Angle, starboard	1	L72		JB34/1764
	185V8031	Angle, port	1	L72		JB33/1765
	186V8031	Angle, starboard	1	L72		JB34/1766
	28V6778	Block, mounting	36	BSS972		JB33/1767
	112V8031	Block, mounting	2	BSS972		JB35/1768

VULCAN Mk. 2

FUSELAGE
CENTRE PORTION

Page JB. 119

Ref. No.	Part No.	Description	No. off	Matl. Spec.	Cl. of St.	Plate and Illust'n No.	
					M.R.		
		1 2 3 4					
		TROUGHING IN BOMB BAY (1 & 2V8031) (Cont'd)					
	105V8031	Bracket, mounting	4	L72		JB33/1769	
	106V8031	Bracket, mounting	4	L72		JB33/1770	
	107V8031	Bracket, mounting, port	5	L72		JB33/1771	
	108V8031	Bracket, mounting, port	4	L72		JB33/1772	
	130V8031	Bracket, mounting, starboard	1	L72		JB34/1773	
	131V8031	Bracket, mounting, port	1	L72		JB33/1774	
	143V8031	Bracket, mounting	2	L72		JB33/1775	
	144V8031	Bracket, mounting	2	L72		JB33/1776	
	166V8031	Bracket, mounting, starboard	1	L72		JB34/1777	
	168V8031	Bracket, clip	4	L72		JB337/1778	
	169V8031	Bracket, clip	4	L72		JB37/1779	
	178V8031	Bracket, mounting	2	L72		JB34/1780	
	179V8031	Bracket, mounting	2	L72		JB33/1781	
	189V8031	Bracket, mounting	2	L72		JB34/1782	
	190V8031	Bracket, mounting, starboard	1	L72		JB36/1783	
	191V8031	Bracket, mounting, port	1	L72		JB35/1784	
	201V8031	Bracket, mounting, starboard	1	L72		JB36/1785	
	202V8031	Bracket, mounting, port	1	L72		JB35/1786	
	203V8031	Bracket, mounting, starboard	1	L72		JB36/1787	
	204V8031	Bracket, mounting, port	1	L72		JB35/1788	
	17V6354	Bracket, mounting	4	L72			
	51V8031	Clip	62	L72		JB35/1789	
	52V8031	Clip	2	L72		JB35/1790	
	53V8031	Clip	2	L72		JB35/1791	
	54V8031	Clip	2	L72		JB35/1792	
	55V8031	Clip	2	L72		JB35/1793	
	56V8031	Clip	2	L72		JB33/1794	
	111V8031	Clip	2	L72		JB33/1795	
	21V6590	Clip	36	L72		JB33/1796	
	AGS.1617/13	Clip	4	-		JB34/1797	
	AS.4799	Clip, spring	28	-	MR		
	10SS3859	Clip	2	-			
	38SS3264	Clip	8	L72		JB37/1798	
	15SS3264	Clip	2	L72			
	121V8031	Channel, mounting	8	L72		JB33/1799	
	122V8031	Channel, mounting	2	L72		JB33/1800	
	126V8031	Channel, mounting	2	L72		JB34/1801	
	128V8031	Channel, mounting	2	L72		JB35/1802	
	129V8031	Channel, mounting	2	L72		JB35/1803	
	145V8031	Channel, mounting	2	L72		JB33/1804	
	146V8031	Channel, mounting	2	L72		JB33/1805	
	200V8031	Channel, mounting	2	L72		JB35/1806	
	17V8031	Member, attachment	2	L72		JB35/1807	
	18V8031	Member, attachment	2	L72		JB35/1808	
	19V8031	Member, attachment	2	L72		JB35/1809	
	20V8031	Member, attachment	2	L72		JB35/1810	
	21V8031	Member, attachment	2	L72		JB35/1811	
	22V8031	Member, attachment	2	L72		JB35/1812	
	23V8031	Member, attachment	2	L72		JB35/1813	
	24V8031	Member, attachment	4	L72		JB35/1814	
	25V8031	Member, attachment	2	L72		JB35/1815	

FUSELAGE
CENTRE PORTION

Ref. No.	Part No.	Description	No. off	Matl. Spec.	Cl. of St.	Plate and illust'n No.
					M.R.	
		1 2 3 4				
TROUGHING IN BOMB BAY (1 & 2V8031) (Cont'd)						
	26V8031	Member, attachment	2	L72		JB35/1816
	27V8031	Member, attachment	2	L72		JB35/1817
	28V8031	Member, attachment	2	L72		JB35/1818
	41V8031	Member, attachment	2	L72		JB35/1819
	42V8031	Member, attachment	2	L72		JB35/1820
	43V8031	Member, attachment	2	L72		JB35/1821
	44V8031	Member, attachment	1	L72		JB35/1822
	45V8031	Member, attachment	2	L72		JB35/1823
	46V8031	Member, attachment	2	L72		JB35/1824
	47V8031	Member, attachment	2	L72		JB35/1825
	48V8031	Member, attachment	2	L72		JB35/1826
	49V8031	Member, attachment	2	L72		JB35/1827
	50V8031	Member, attachment	2	L72		JB35/1828
	165V8031	Member, attachment	2	L72		JB35/1829
	172V8031	Member, attachment	2	L72		JB33/1830
	173V8031	Member, attachment	4	L72		JB33/1831
	174V8031	Member, attachment	6	L72		JB33/1832
	175V8031	Member, attachment	2	L72		JB33/1833
	176V8031	Member, attachment	2	L72		JB33/1834
	207V8031	Member, attachment	2	L72		JB35/1835
	18V6590	MEMBER, ATTACHMENT, GROUP	4	—		JB33/1836
	19V6590	MEMBER, ATTACHMENT, GROUP	4	—		JB33/1837
	20V6590	MEMBER, ATTACHMENT, GROUP	2	—		JB34/1838
	205V8031	Packing	2	L72		
	206V8031	Packing	2	L72		JB33/1839
	AS4809	Packing	164	—	MR	JB35/1840
	AS4810	Packing	92	—		JB35/1841
	194V8031	PANEL, FIBREGLASS, GROUP	2	—		JB33/1842
	87V8301	Plate, mounting	2	L72		
	AS4821	Spacer	218	—	MR	JB33/1843
	3V6850	Spacer	4	BSS2966/ 3B	MR	
	156V8031	Strap	4	L72		JB37/1844
6116190	AS8671/11	Strip, capping, 11" long	2	L72	C	JB33/1845
	AS8671/18	Strip, capping, 18" long	6	L72		JB35/1846
	AS8671/21	Strip, capping, 21" long	8	L72		JB33/1847
6116189	AS8671/31	Strip, capping, 31" long	16	L72	C	JB33/1848
	AS8671/39	Strip, capping, 39" long	6	L72		JB35/1849
6116188	AS8671/42	Strip, capping, 42" long	7	L72	C	JB33/1850
	AS8671/43	Strip, capping, 43" long	6	L72		JB34/1851
6116194	AS8671/44	Strip, capping, 44" long	8	L72	C	JB33/1852
	AS8672/11	Strip, capping, 11" long	4	L72		JB33/1853
	AS8672/18	Strip, capping, 18" long	4	L72		JB35/1854
	AS8672/21	Strip, capping, 21" long	4	L72		JB33/1855
	AS8672/31	Strip, capping, 31" long	8	L72		JB33/1856
	AS8672/39	Strip, capping, 39" long	4	L72		JB35/1857

FUSELAGE
CENTRE PORTION

Ref. No.	Part No.	Description	No. off	Mati. Spec.	Cl. of St.	Plate and illust'n No.
					M.R.	
		1 2 3 4				
		TROUGHING IN BOMB BAY (1 & 2V8031) (Cont'd)				
1510780	AS8672/43	Strip, capping, 43" long	4	L72	C	JB35/1858
	AS8672/44	Strip, capping, 44" long	8	L72		JB33/1859
	195V8031	Strip, clip attachment	2	L72		JB33/1860
	86V8031	Tube, conduit	2	L56		JB33/1861
	127V8031	Tube, conduit	4	DTD310		JB33/1862
	141V8031	Tube, conduit	4	DTD310		JB33/1863
	142V8031	Tube, conduit	2	DTD310		JB36/1864
	152V8031	Tube, conduit, fibreglass	2	Y93T5		JB33/1865
	167V8031	Tube, conduit	4	L56		JB33/1866
	30V6778	Tube, conduit	6	DTD310		JB33/1867
	32V8031	TROUGH, CONDUIT, GROUP	6	—		JB35/1868
	33V8031	TROUGH, CONDUIT, GROUP	20	—		JB33/1869
	34V8031	TROUGH, CONDUIT, GROUP	4	—		JB35/1870
	35V8031	TROUGH, CONDUIT, GROUP	8	—		JB33/1871
	36V8031	TROUGH, CONDUIT, GROUP	22	—		JB33/1872
	37V8031	TROUGH, CONDUIT, GROUP	14	—		JB33/1873
	38V8031	TROUGH, CONDUIT, GROUP	8	—		JB33/1874
	39V8031	TROUGH, CONDUIT, GROUP	8	—		JB33/1875
	40V8031	TROUGH, CONDUIT, GROUP	8	—		JB33/1876
	89V8031	TROUGH, CONDUIT, GROUP	8	—		JB33/1877
	151V8031	TROUGH, CONDUIT, GROUP	2	—		JB33/1878
	171V8031	TROUGH, CONDUIT, GROUP	4	—		JB33/1879
	180V8031	TROUGH, CONDUIT, GROUP	4	—		JB33/1880
	188V3031	TROUGH, CONDUIT, GROUP	2	—		JB35/1881
	192V8031	TROUGH, CONDUIT, GROUP	1	—		JB36/1882
	193V8031	TROUGH, CONDUIT, GROUP	2	—		JB35/1883
	11SS4619	Trough, conduit, 11" long	6	—		JB33/1884
18SS4619	Trough, conduit, 18" long	4	—	JB35/1885		
21SS4619	Trough, conduit, 21" long	6	—	JB33/1886		
31SS4619	Trough, conduit, 31" long	12	—	JB33/1887		
39SS4619	Trough, conduit, 39" long	4	—	JB35/1888		
42SS4619	Trough, conduit, 42" long	6	—	JB33/1889		
43SS4619	Trough, conduit, 43" long	4	—	JB34/1890		
44SS4619	Trough, conduit, 44" long	6	—	JB33/1891		

FUSELAGE
CENTRE PORTION

Ref. No.	Part No.	Description	No. off	Matl. Spec.	Cl. of St.	Plate and Illust'n No.
					M.R.	
		1 2 3 4				
TROUGHING IN BOMB BAY (1 & 2V8031) (Cont'd)						
	11SS4620	Trough, conduit, 11" long	4	—		JB33/1892
	18SS4620	Trough, conduit, 18" long	4	—		JB35/1893
	21SS4620	Trough, conduit, 21" long	4	—		JB33/1894
	30SS4620	Trough, conduit, 30" long	1	—		JB36/1895
	31SS4620	Trough, conduit, 31" long	8	—		JB33/1896
	39SS4620	Trough, conduit, 39" long	4	—		JB35/1897
	43SS4620	Trough, conduit, 43" long	3	—		JB35/1898
22811	44SS4620	Trough, conduit, 44" long	8	—	C	JB33/1899
7692	11SS4623	Trough, conduit, 11" long	2	—	C	JB33/1900
	18SS4623	Trough, conduit, 18" long	2	—		JB35/1901
22840	21SS4623	Trough, conduit, 21" long	2	—	C	JB33/1902
	31SS4623	Trough, conduit, 21" long	4	—		JB33/1903
	36-1/2SS4623	Trough, conduit, 36-1/2" long	2	—		JB35/1904
	43SS4623	Trough, conduit, 43" long	2	—		JB344/1905
12043	44SS4623	Trough, conduit, 44" long	2	—	C	JB33/1906
TROUGHING IN BOMB BAY, BETWEEN STR. 6 & 7, PORT AND STR. 48 & 62, STBD. (1 & 54V9651)						
Spares for:—						
	16V8031	Bracket, angle	38	L72		
	2V9651	Clip (port)	5	L72		JB37/1907
	3V9651	Clip (port)	2	L72		JB37/1908
	4V9651	Clip (port)	2	L72		JB37/1909
	5V9651	Clip (port)	1	L72		JB37/1910
	6V9651	Clip	2	L72		JB37/1911
	7V9651	Clip	4	L72		JB37/1912
	8V9651	Clip	4	L72		JB37/1913
	9V9651	Clip	4	L72		JB37/1914
	10V9651	Clip	2	L72		JB37/1915
	11V9651	Clip (starboard)	1	L72		JB37/1916
	12V9651	Clip (starboard)	1	L72		JB37/1917
	13V9651	Clip (starboard)	1	L72		JB37/1918
	14V9651	Clip (starboard)	1	L72		JB37/1919
	15V9651	Clip (starboard)	1	L72		JB37/1920
	19V8651	Member, attachment, starboard	1	L72		JB37/1921
	20V9651	Member, attachment	9	L72		JB37/1922
	21V9651	Member, attachment, starboard	1	L72		JB37/1923
	22V9657	Member, attachment, starboard	1	L72		JB37/1924
	23V9651	Member, attachment	3	L72		JB37/1925
	24V9651	Member, attachment	4	L72		JB37/1926
	25V9651	Member, attachment	4	L72		JB37/1927
	26V9651	Member, attachment	4	L72		JB37/1928
	27V9651	Member, attachment	4	L72		JB37/1929
	28V9651	Member, attachment	4	L72		JB37/1930
	29V9651	Member, attachment	2	L72		JB37/1931
	30V9651	Member, attachment, starboard	1	L72		JB37/1932
	31V9651	Member, attachment, starboard	1	L72		JB37/1933
	56V9651	Member, attachment, starboard	2	L72		JB37/1934

VULCAN No. 2

FUSELAGE
CENTRE PORTION

Page JB. 123

Ref. No.	Part No.	Description	No. off	Matl. Spec.	Cl. of	Plate and Illust'n No.
					St. M.R.	
		1 2 3 4				
		TROUGHING IN BOMB BAY, BETWEEN STR. 6 & 7, PORT AND STR. 48 & 62, STBD. (1 & 54V9651) (Cont'd)				
	37V9651	Trough, conduit, port	1	—		JB37/1935
	38V9651	Trough, conduit, port	1	—		JB37/1936
	39V9651	Trough, conduit, port	1	—		JB37/1937
	40V9651	Trough, conduit, port	1	—		JB37/1938
	41V9651	Trough, conduit	2	—		JB37/1939
	42V9651	Trough, conduit, port	1	—		JB37/1940
	43V9651	Trough, conduit	6	—		JB37/1941
	44V9657	Trough, conduit, port	1	—		JB37/1942
	45V9651	Trough, conduit	2	—		JB37/1943
	46V9651	Trough, conduit	2	—		JB37/1944
	47V9651	Trough, conduit	2	—		JB37/1945
	49V9651	Trough, conduit, starboard	1	—		JB37/1946
	51V9651	Trough, conduit, starboard	4	—		JB37/1947
	53V9651	Trough, conduit, starboard	1	—		JB37/1948
	57V9651	Trough, conduit, starboard	1	—		JB37/1949
	58V9651	Trough, conduit, starboard	1	—		JB37/1950
	59V9651	Trough, conduit, starboard	1	—		JB37/1951
	60V9651	Trough, conduit, starboard	1	—		JB37/1952
	61V9651	Trough, conduit, starboard	1	—		JB37/1953
	62V9651	Trough, conduit, starboard	1	—		JB37/1954
	63V9651	Trough, conduit, starboard	1	—		JB37/1955
	36V9651	Trough, conduit, starboard	1	—		JB37/1956

FUSELAGE
CENTRE PORTION

Ref. No.	Part No.	Description	No. off	Matl. Spec.	Cl. of St.	Plate and Illust'n No.
					M.R.	
		STRUCTURE, CENTRE PORTION (D10631) (Cont'd)				
		TURBINE DISC PROTECTION SHIELDS AT RIB 162.5, PORT (1F12880) AND STARBOARD (2F12880) (Mod. 2218)				
		Spares for:-				
	9F12880	ANGLE, GROUP	1	-		JB38/1957
	2SS4878	Attachments for--Angle Part No. 9F12880 Bolt, P.K. 3/8"	2	-		JB38/1958
	13F12880	ANGLE, GROUP	1	-		JB38/1959
	1SS4832	Attachments for--Angle Part No. 13F12880 Bolt, P.K. 5/16"	2	-	MR	JB38/1960
	14F12880	ANGLE, GROUP	1	-		JB38/1961
	1SS4832	Attachments for--Angle Part No. 14F12880 Bolt, P.K. 5/16"	2	-	MR	JB38/1962
	15F12880	ANGLE, GROUP	1	-		JB38/1963
	1SS4832	Attachments for--Angle Part No. 15F12880 Bolt, P.K. 5/16"	3	-	MR	JB38/1964
1510470	14F12881	BRACKET, SUPPORT, STARBOARD, GROUP Attachments for--Bracket Part No. 14F12881	2	-	C	JB38/1965
28D/1213088	A26/-1/2C	Bolt, hex. head., 2 BA	2	-	C	JB38/1966
28W/9416643	SP47/C	Washer, spring	2	-	C	
	17F12880	PLATE, MOUNTING, FORWARD, PORT, .. GROUP	1	-		JB38/1967
	18F12880	PLATE, MOUNTING, FORWARD,	1	-		JB38/1968
		STARBOARD, GROUP Attachments for--Plates 17/18F12880				
	2SS4878	Bolt, P.K. 3/8"	1	-		JB38/1969
	1SS4832	Bolt, P.K. 5/16"	2	-		JB38/1970
	27F12880	PLATE, MOUNTING, AFT, PORT,	1	-		JB38/1971
		GROUP				
	26F12880	PLATE, MOUNTING, AFT,	1	-		JB38/1972
		STARBOARD, GROUP Attachments for--Plates 27/28F12880				
	1SS4832	Bolt, P.K. 5/16"	4	-	MR	JB38/1973

FUSELAGE
CENTRE PORTION

Ref. No.	Part No.	Description	No. off	Mati. Spec.	Cl. of	Plate and Illust'n No.	
					St. M.R.		
		1	2	3	4		
TURBINE DISC PROTECTION SHIELDS AT RIB 162.5, PORT AND STARBOARD (1/2F12880) (Cont'd)							
	3F12880	SHIELD, PROTECTION, PORT, GROUP ..	1	--		JB38/1974	
	4F12880	SHIELD, PROTECTION, STARBOARD, .. GROUP	1	--		JB38/1975	
		Spares for:--					
28D/9706830	A26/7E	Bolt, hex. hd., 1/4" BSF	4	--		JB38/1976	
28D/1214511	AS2920/6E	Bolt, csk. hd., 1/4" BSF	15	--		JB38/1977	
	17F12881	BRACKET, HOISTING, GROUP	1	--		JB38/1978	
28M/1007704	A24/ET	Nut, thin, 1/4"	4				
	7F12880	Plate, port	1	TA10			
	8F12880	Plate, starboard	1	TA10			
	5F12880	Shield, port	1	TA10			
	6F12880	Shield, starboard	1	TA10			
		Attachments for--Shields Part Nos. 3/4F12880					
	21F12880	Bolt, special (Make from	6	--		JB38/1979	
		AS2920/8G)					
	22F12880	Bolt, special (Make from	8	--		JB38/1980	
		A21/6G)					
28M/10300	AGS2001/G2	Nut, 5/16"	14	--	C		
28W/12668	SP19/G	Washer, 5/16"	19	--	C		
28W/1007697	SP14/G	Washer, 5/16", for shims	A/R	--	C		
28W/9436800	SP11/G	Washer, 5/16", for shims	A/R	--	C		
28W/14305	SP14/P	Washer, 9/16", for shims	A/R	--	C		
	SP11/P	Washer, 9/16", for shims	A/R	--			
	20F12880	Tube, distance	6	T55		JB38/1981	
TURBINE DISC PROTECTION SHIELDS AT RIB 63.5, PORT, (1F12881) AND STARBOARD (2F12881) (Mod. 2218)							
		Spares for:--					
1510470	14F12881	BRACKET, SUPPORT, PORT, GROUP ... Attachments for--Bracket Part No. 14F12881	1	--	C	JB38/1982	
28D/1213088	A26/-1/2C	Bolt, hex. hd.	2	--	C	JB38/1983	
28W/9416643	SP.47/C	Washer, spring	2	--	C		
	10F12881	Plate, support	2	S527		JB38/1984	
		Attachments for--Plate Part No. 10F12881					
	3SS4991	Bolt	18	--		JB38/1985	

FUSELAGE
CENTRE PORTION

Ref. No.	Part No.	Description	No. off	Matl. Spec.	Cl. of	Plate and Illust'n No.
					St. M.R.	
		1 2 3 4				
TURBINE DISC PROTECTION SHIELDS AT RIB 63.5, PORT AND STARBOARD (1/2F12881) (Cont'd)						
	3F12881	SHIELD, PROTECTION, PORT, GROUP . . .	1	—		JB38/1986
	4F12881	SHIELD, PROTECTION, STARBOARD, GROUP	1	—		JB38/1987
Spares for:—						
28D/9706830	A26/7E	Bolt, hex. hd., 1/4" BSF	4	—	C	JB38/1988
28D/1214511	AS2920/6E	Bolt, csk. hd., 1/4" BSF	15	—	C	JB38/1989
	17F12881	BRACKET, HOISTING, GROUP	—	—		JB38/1990
28M/1007704	A24/ET	Nut, thin, 1/4"	19	—	C	
	7F12881	Plate, port	1	TA10		
	8F12881	Plate, starboard	1	TA10		
	5F12881	Shield, port	1	TA10		
	6F12881	Shield, starboard	1	TA10		
Attachments for—Shields Part Nos. 3/4F12881						
28D/1213022	A26/9G	Bolt, hex. hd., 5/16"	8	—	C	
28D/9434881	A59/14G	Bolt, hex. hd., 5/16"	10	—	C	
28M/10300	AGS2001/G2	Nut, stiff, 5/16"	8	—	C	
28M/10291	AGS2001/G1	Nut, stiff, 5/16"	10	—	C	
28W/9419403	SP13/G	Washer, 5/16"	10	—	C	
28W/1007697	SP14/G	Washer, 5/16"	8	—	C	
28W/12668	SP19/G	Washer, 5/16"	18	—	C	
28W/941945	SP10/G	Washer, 5/16" for shims	A/R	—		
28W/9436800	SP11/G	Washer, 5/16" for shims	A/R	—		
28W/9419403	SP13/G	Washer, 5/16" for shims	A/R	—		
28W/1007697	SP14/G	Washer, 5/16" for shims	A/R	—		
	9F12881	Tube, distance	18	T55		JB38/1991
TURBINE DISC PROTECTION SHIELDS, HOISTING BRACKETS AT INTERCOSTAL 25A (F12882)						
Spares for:—						
	3F12882	BRACKET, HOISTING, PORT, GROUP . . .	1	—		JB38/1992
	7F12882	BRACKET, HOISTING, STARBOARD, . . . GROUP	1	—		JB38/1993
	11F12882	BRACKET, HOISTING, PORT, GROUP . . .	1	—		JB38/1994
	15F12882	BRACKET, HOISTING, STARBOARD, GROUP	1	—		JB38/1995

FUSELAGE
CENTRE PORTION

Ref. No.	Part No.	Description	No. off	Matl. Spec.	Cl. of St.	Plate and Illust'n No.
					M.R.	
		COMPLEMENTARY PARTS				
		ATTACHMENT FITTINGS, CREW'S NACELLE FUSELAGE TO CENTRE PORTION FUSELAGE (3A3096)				
		Consisting of:—				
28D/1008145	A25/6E	Bolt, 1/4" BSF x 0.6" plain	86	—	C	
28D/1011242	A25/7E	Bolt, 1/4" BSF x 0.7" plain	10	—	C	
28D/1010031	A25/8E	Bolt, 1/4" BSF x 0.8" plain	6	—	C	
28D/1011246	A25/11E	Bolt, 1/4" BSF x 1.10" plain	12	—	C	
28D/1011259	A25/10G	Bolt, 5/16" BSF x 1" plain	38	—	C	
28M/9480017	AGS2001/E1	Nut, 1/4" BSF	106	—	C	
28M/1202770	AGS2001/G1	Nut, 5/16" BSF	38	—	C	
28W/9419405	SP15/E	Washer, 1/4" BSF	118	—	C	
28W/9419476	SP15/G	Washer, 5/16" BSF	76	—	C	
28W/9419487	SP16/E	Washer, 1/4" BSF	92	—	C	
		ATTACHMENT FITTINGS, REAR PORTION FUSELAGE TO CENTRE PORTION FUSELAGE (4A3096)				
		(See Complementary Items—Fuselage, Rear Portion)				
		ATTACHMENT FITTINGS, OUTER MAIN- PLANE TO CENTRE PORTION FUSELAGE AT FRONT, SPAR TOP, PORT AND STARBOARD (48 & 49F8775)				
		(For Spares—See Page JB.69)				
		ATTACHMENT FITTINGS, OUTER MAIN- PLANE TO CENTRE PORTION FUSELAGE AT FRONT SPAR, BOTTOM PORT AND STARBOARD (1 & 2F11338)				
		(For Spares—See Page JB.70)				
		ATTACHMENT FITTINGS, OUTER MAIN- PLANE TO CENTRE PORTION FUSELAGE AT REAR SPAR TOP AND BOTTOM, PORT AND STARBOARD (1 & 2F10811)				
		Spares for:—				
1076	3F7757	Bolt, top shackle	2	S99	C	JB20/1736
	16F7757	Bolt, bottom shackle	2	S99	MR	JB20/1737
28D/1011299	A25/6J	Bolt, at web joint plate	26	—	C	JB20/1738
28D/1011300	A25/7J	Bolt, top and bottom web joint plate	2	—	C	JB20/1739
	7F7757	Nut, for Bolts (3 & 16F7757)	4	S96		JB20/1740
28M/4095808	AGS2001/J1	Nut, at web joint	28	—	C	JB20/1741
28P/19245	SP90/K17	Pin, split	4	—	C	
	14F7757	Plate, joint (Undrilled)	1	DTD687		JB20/1742
	5F10811	Shackle, top	2	S99		JB20/1743
	6F10811	Shackle, bottom	2	S99		JB20/1744
	4F7757	Washer, for bolts (3 & 16F7757)	4	L1	MR	JB20/1745
	6F7757	Washer, under nut (7F7757)	4	S1	MR	JB20/1746
26TA/8768	3SS4665	Washer, under bolt head on web joint	26	S93	C	JB20/1747
26FP/13018	9F3564	Washer, under nuts on web joint	2	L1	C	JB20/1748

FUSELAGE
CENTRE PORTION

Ref. No.	Part No.	Description	No. off	Mati. Spec.	Cl. of	Plate and illust'n No.
					St. M.R.	
		1 2 3 4				
		ATTACHMENT FITTINGS, LEADING EDGE PORTION, OUTER MAINPLANE TO CENTRE PORTION FUSELAGE PORT AND STARBOARD (5 & 6A3096)				
		Consisting of:—				
28D/9133011	A25/2C	Bolt, 2 BA x 0.2" plain	6	—	C	
28D/9137012	A25/3C	Bolt, 2 BA x 0.3" plain	6	—	C	
28M/1010996	A24/CP	Nut, 2 BA	12	—	C	
	18F7890	Plate, rib attachment, port	2	—		
	19F7890	Plate, rib attachment, starboard	2	—		
28Q/7001239	AS2227/303	Rivet	22	—	C	
28Q/6638	AS2227/404	Rivet	22	—	C	
28D/1214470	AS3297/1C	Screw	12	—	C	
28W/9419402	SP13/C	Washer	12	—	C	
		ATTACHMENT FITTINGS, FIN TO CENTRE PORTION FUSELAGE (40H2446) (See Complementary Items—Tail Unit)				

VULCAN Mk. 2

FUSELAGE

CENTRE PORTION

SUMMARY OF STANDARD ITEMS

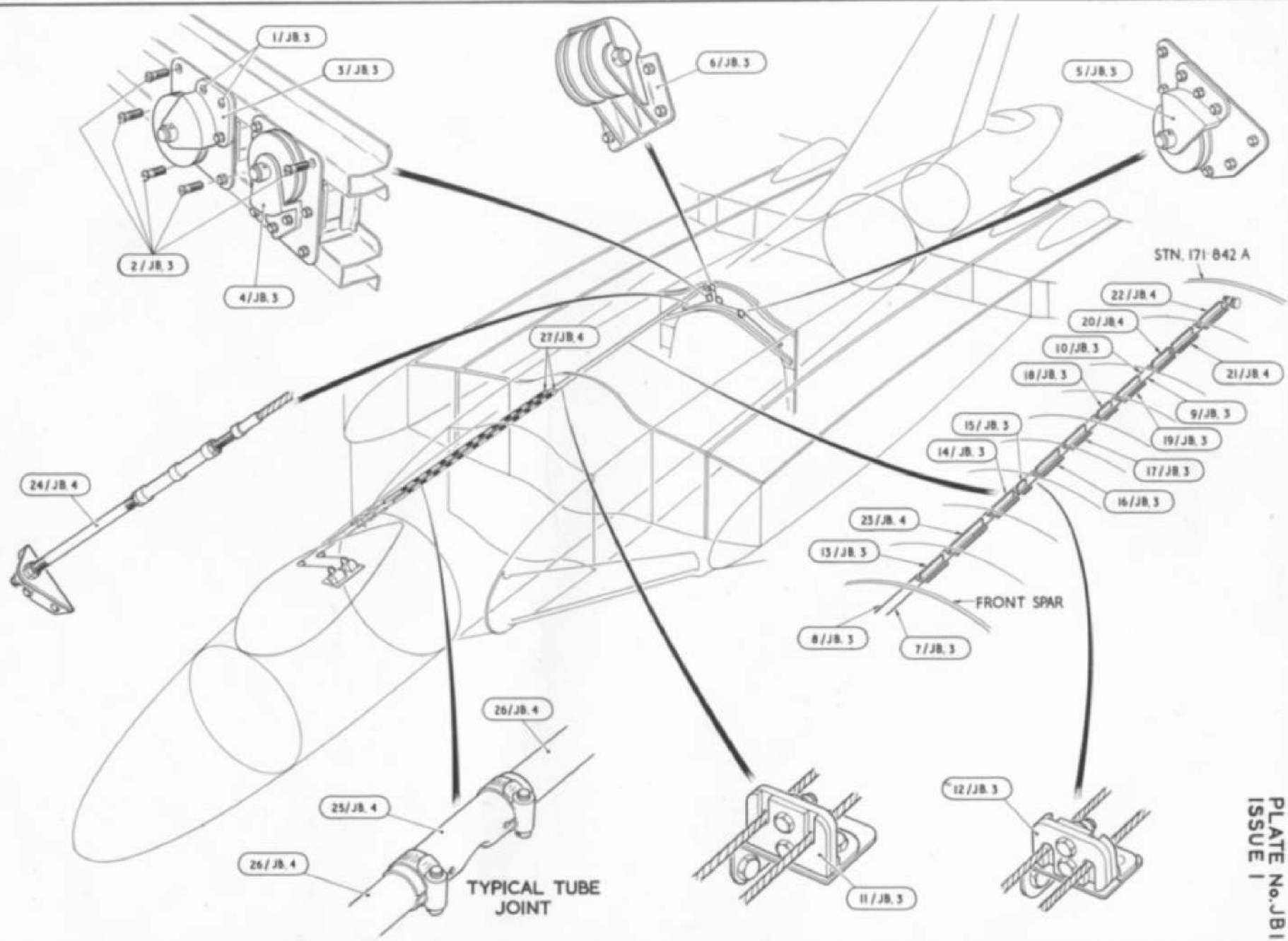
Stores Ref.		No. off	Stores Ref.		No. off	Stores Ref.		No. off
Section	Ref. No.		Section	Ref. No.		Section	Ref. No.	
2A	9500410	2	26FP	13003	7	28D	9133012	14
2A	9500419	6	26FP	13018	2	28D	9436920	4
2A	9500422	3	26FP	13043	9			
2A	9500423	4	26FP	13044	9			
2A	9500427	11	26FP	13109	5	28E	19823	2
	PART NO.		26FP	13424	12	28E	19824	1
2A	ZAEG-H	24	26FP	13457	10	28E	20012	4
			26FP	13766	4	28E	20019	1
5CW	4904	2	26FP	13942	5	28E	20104	2
			26FP	14845	4	28E	20347	2
			26FP	15025	3	28E	9129092	1
5CY	5371	1						
5CY	5609	1						
			27N	52	16	28F	10773	8
						28F	8011809	1
5CZ	868	2				28F	9428453	7
5CZ	5223	2	27QM	70551	4	28F	9471001	2
5CZ	5224	6						
5CZ	5281	4						
5CZ	5282	29	28D	12258	4	28FP	9485292	1
5CZ	5283	2	28D	9137012	6	28FP	9485857	1
5CZ	5553	4	28D	13114	8	28FP	108	4
5CZ	5554	4	28D	13132	12	28FP	341	21
5CZ	6270	1	28D	13474	8	28FP	617	10
			28D	13979	4	28FP	618	5
			28D	14265	8	28FP	649	5
5K	1200718	1	28D	14363	8	28FP	736	21
5K	9128569	2	28D	14366	4	28FP	1026	4
			28D	14554	4	28FP	1158	40
			28D	14642	4	28FP	1160	40
5W	688	2	28D	15020	8	28FP	1297	6
5W	3770	1	28D	15417	4	28FP	1298	1
			28D	1008145	86	28FP	1200486	2
			28D	1010031	6	28FP	9429531	7
10HA	2206	1	28D	1011242	10	28FP	9430915	18
10HA	9326	1	28D	1011246	12	28FP	9430916	15
			28D	1011259	38	28FP	9438491	4
			28D	1011299	26	28FP	9455495	2
26FP	2453	1	28D	1011300	2	28FP	9488815	7
26FP	10114	4	28D	1013284	28	28FP	9491457	18
26FP	10135	3	28D	9133011	6	28FP	9520205	2
							PART NOS.	
						28FP	FJ4/150	1
						28FP	TFR5/25M	10
						28FP	TFR5/31M	5

FUSELAGE
CENTRE PORTION
SUMMARY OF STANDARD ITEMS

Stores Ref.		No. off	Stores Ref.		No. off	Stores Ref.		No. off
Section	Ref. No.		Section	Ref. No.		Section	Ref. No.	
28M	1278189	1	28P	19245	4			
28M	1278190	4						
28M	10290	106						
28M	10291	38	28Q	6638	22			
28M	10292	28	28Q	7001239	22			
28M	11957	3						
28M	12931	60						
28M	13124	1	28R	6330	1			
28M	13145	6						
28M	13275	3						
28M	13590	4	28S	1013561	2			
28M	13705	2	28S	1214787	1			
28M	13717	1						
28M	13877	2						
28M	14015	2	28U	4056	1			
28M	14298	8						
28M	14555	5						
28M	14833	1	28W	1010155	8			
28M	15199	1	28W	14996	9			
28M	15396	6	28W	18749	3			
28M	15814	4	28W	1200073	1			
28M	16830	2	28W	9416193	1			
28M	1006473	1	28W	9418920	60			
28M	1010996	12	28W	9419401	1			
28M	9452621	8	28W	9419402	16			
	PART NO.		28W	9419405	118			
28M	A27/STL	1	28W	9419462	2			
			28W	9419467	6			
			28W	9419468	1			
28N	13423	1	28W	9419469	3			
28N	13513	1	28W	9419476	76			
28N	1007986	2	28W	9419482	3			
28N	2001668	2	28W	9419487	92			
28N	2001693	4	28W	9419502	1			
28N	2001695	2						
28N	2001715	10						
28N	9156370	23	28Y	15486	1			

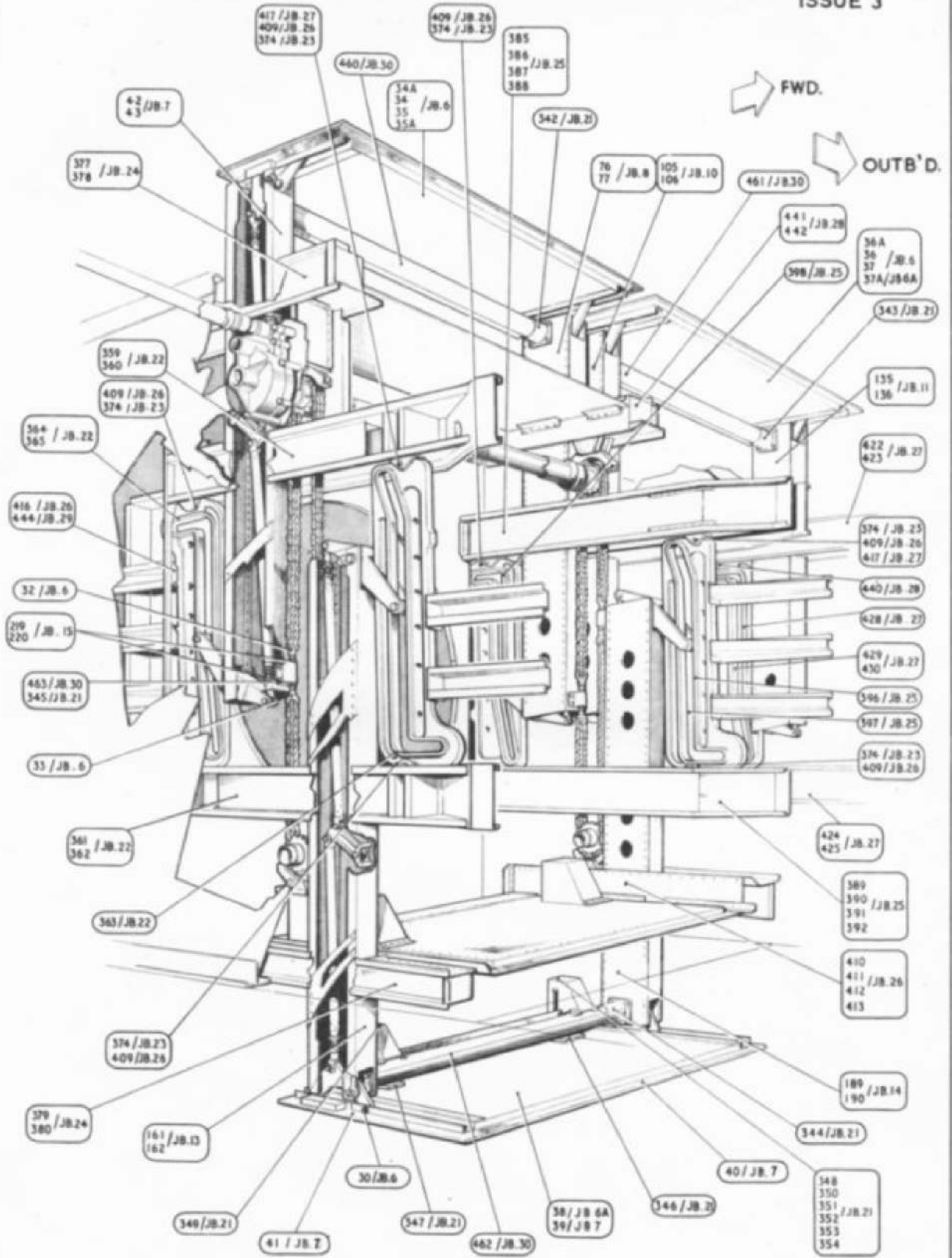
RESTRICTED

PLATE No. JB1
ISSUE 1

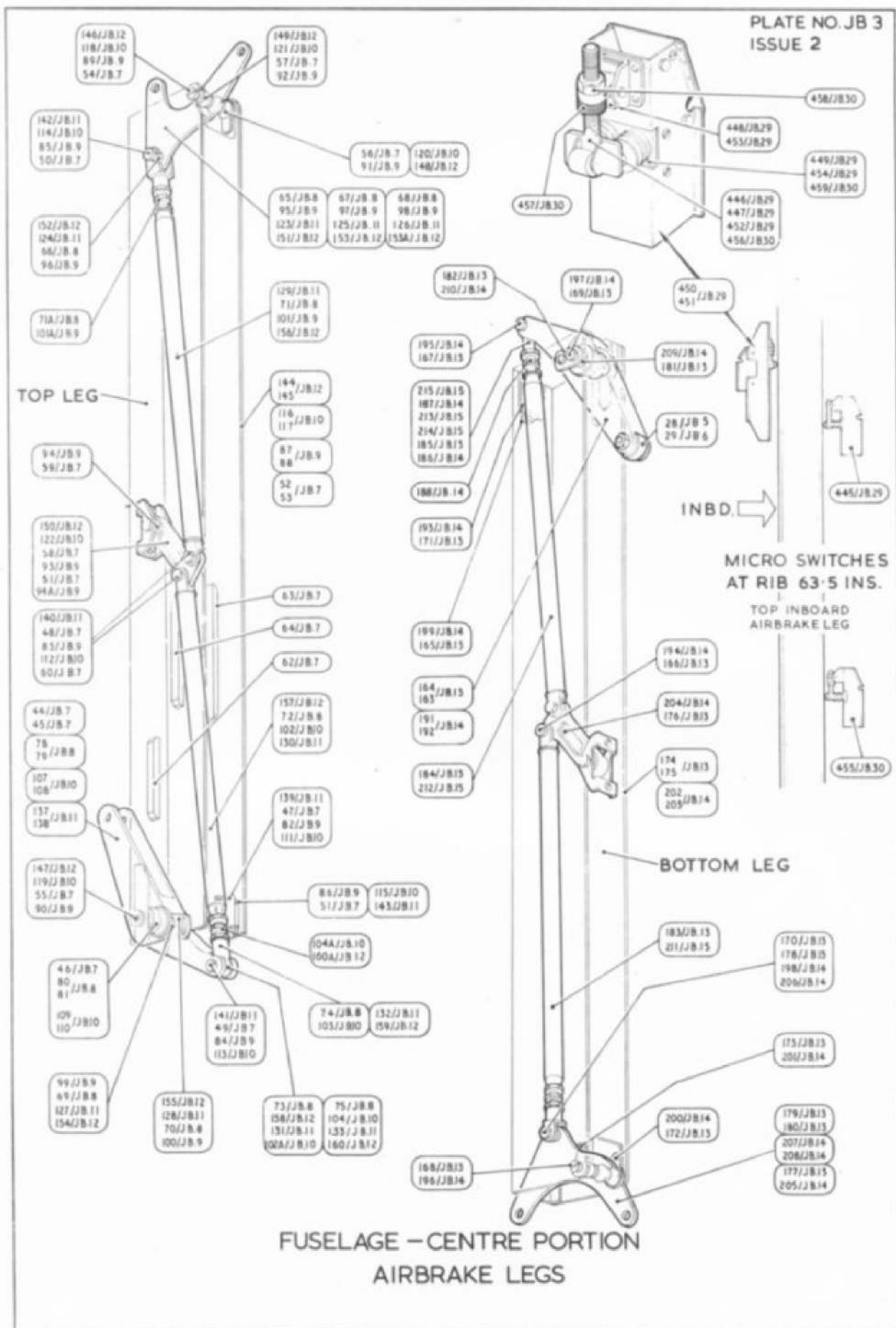


FUSELAGE - CENTRE PORTION
MECHANICAL JETTISON RELEASE

RESTRICTED

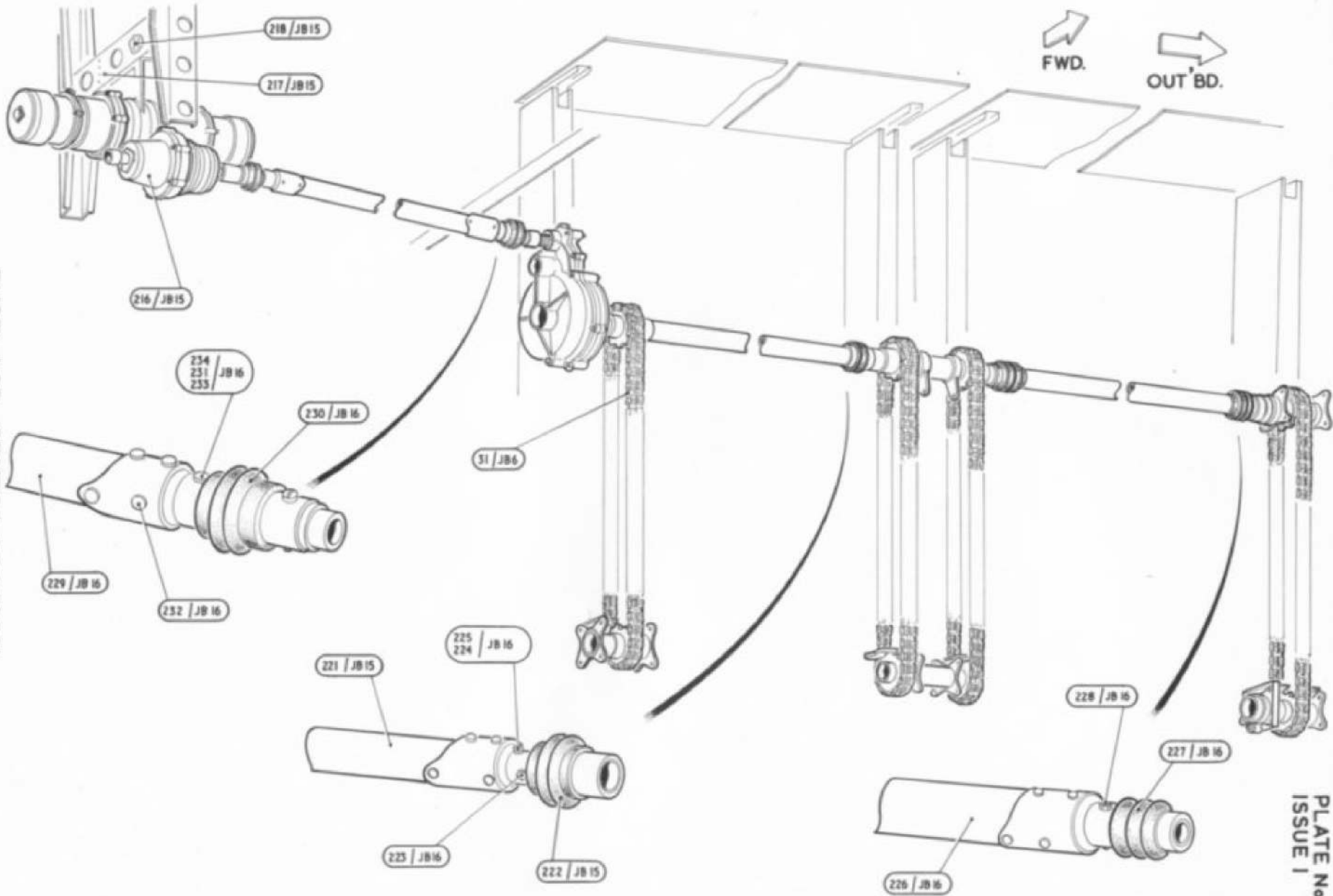


FUSELAGE - CENTRE PORTION
AIRBRAKES



RESTRICTED

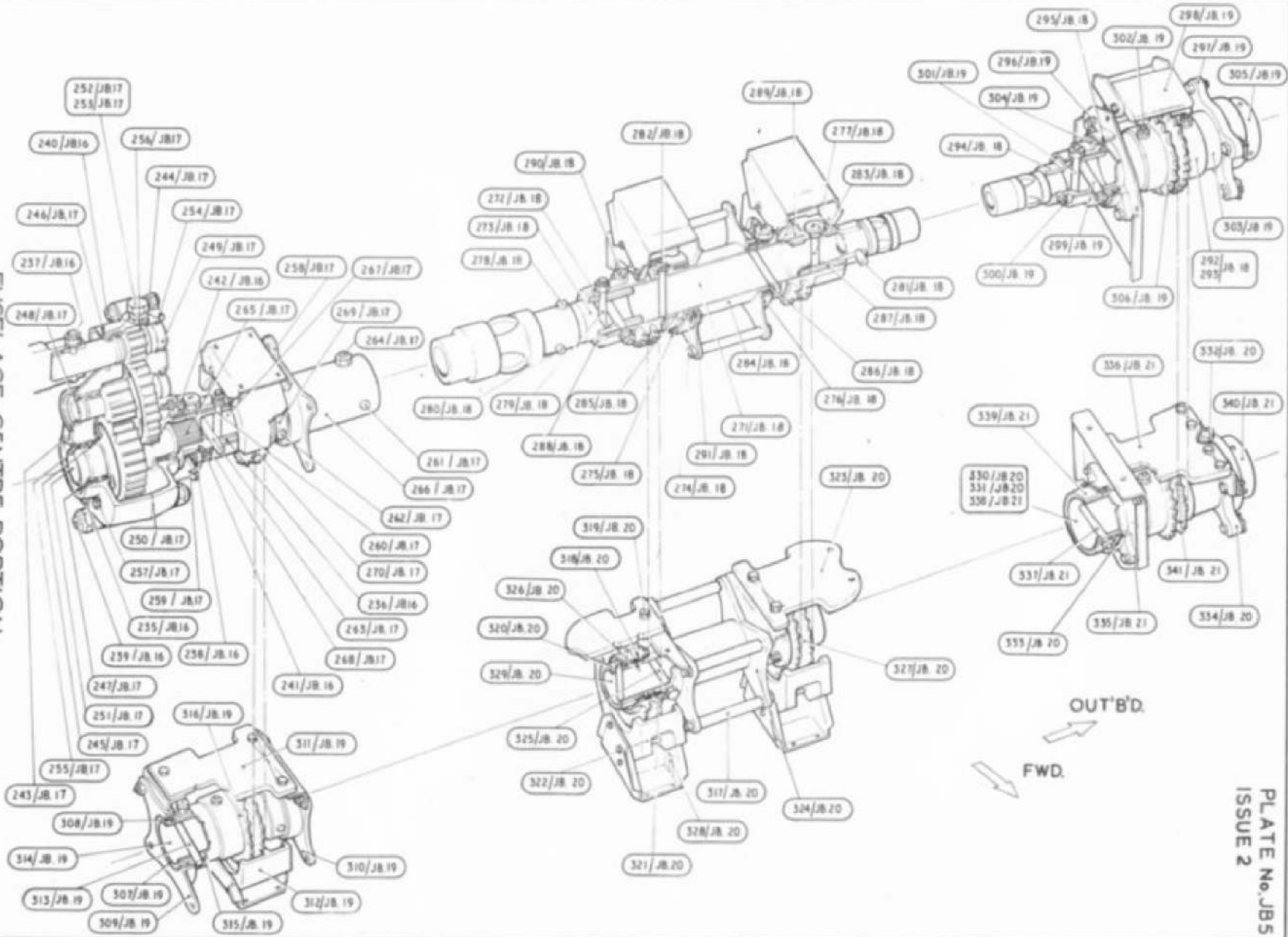
PLATE No. JB4
ISSUE 1



FUSELAGE - CENTRE PORTION
AIRBRAKES OPERATING MECHANISM

RESTRICTED

FUSELAGE-CENTRE PORTION
AIRBRAKE SPROCKET SHAFTS

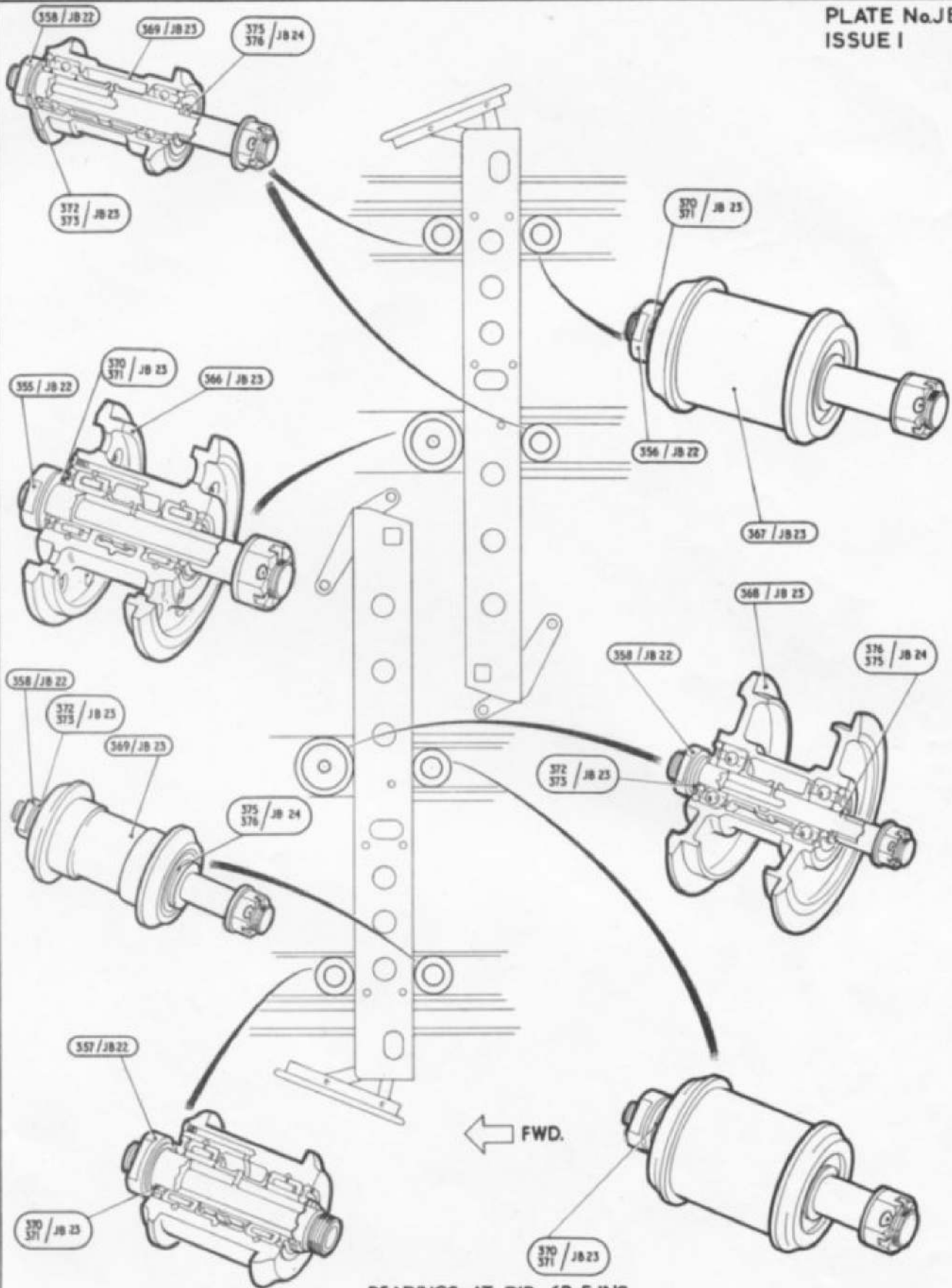


RESTRICTED

RESTRICTED

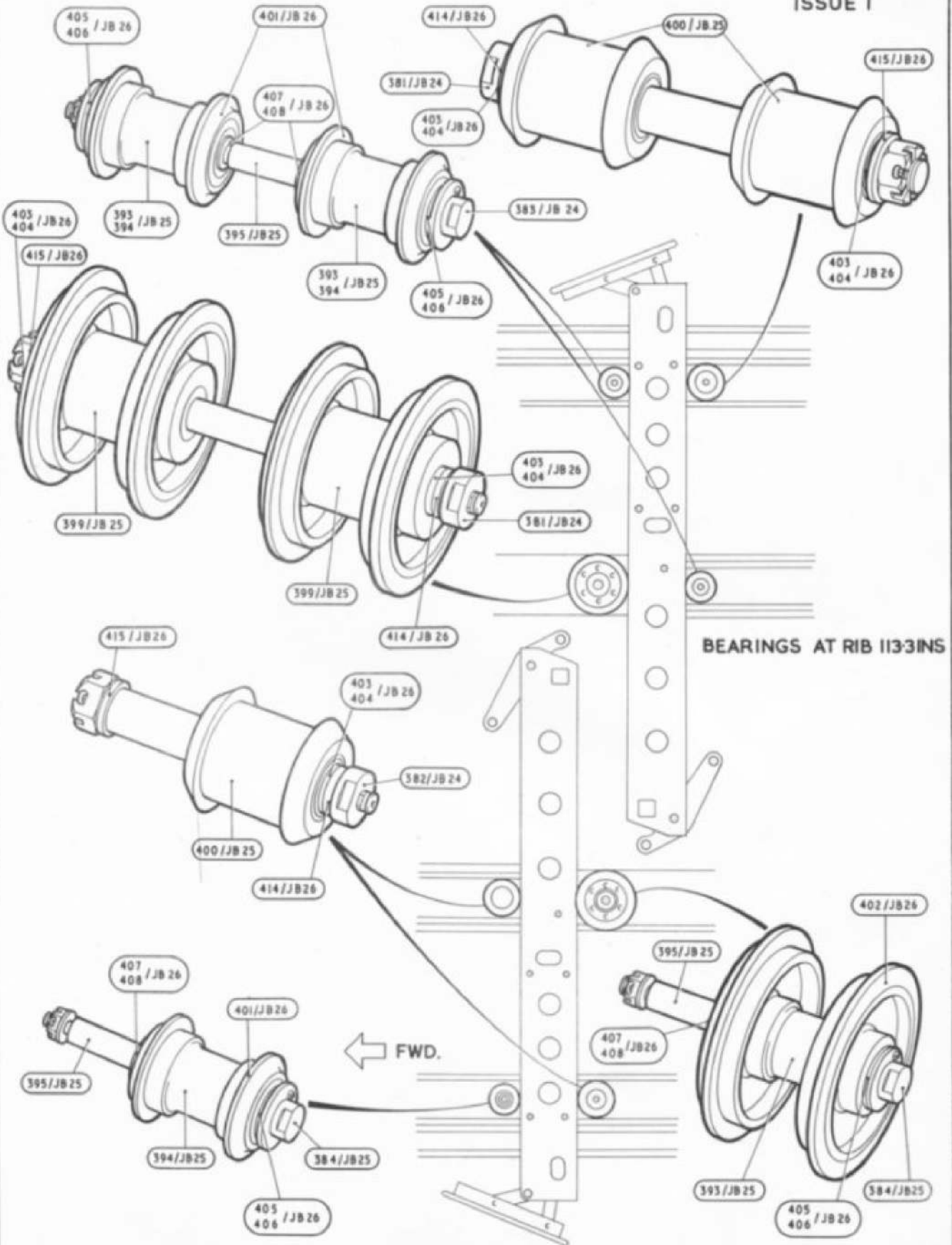
OUT'BD.
FWD.

PLATE No. JB5
ISSUE 2

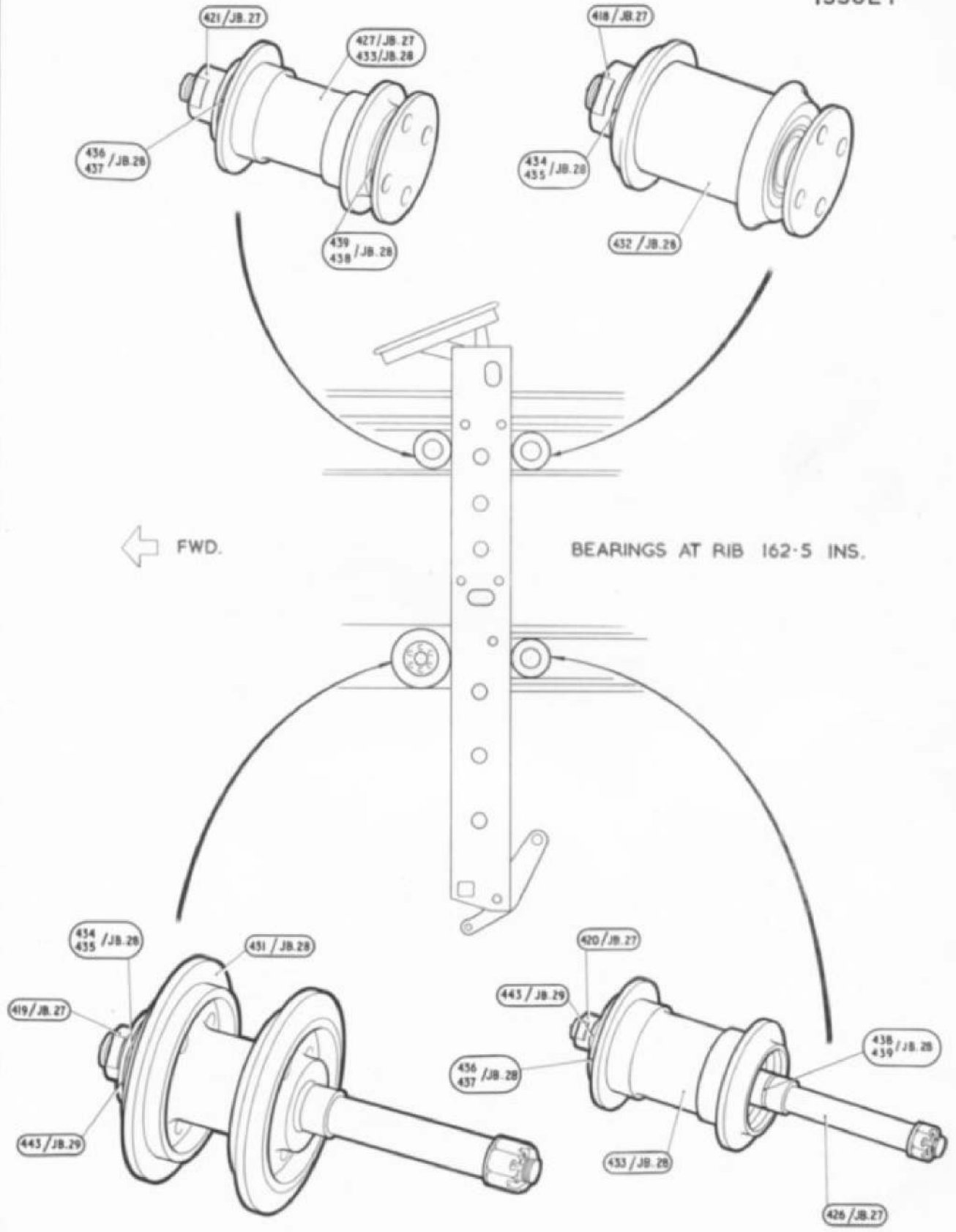


BEARINGS AT RIB 63.5 INS.

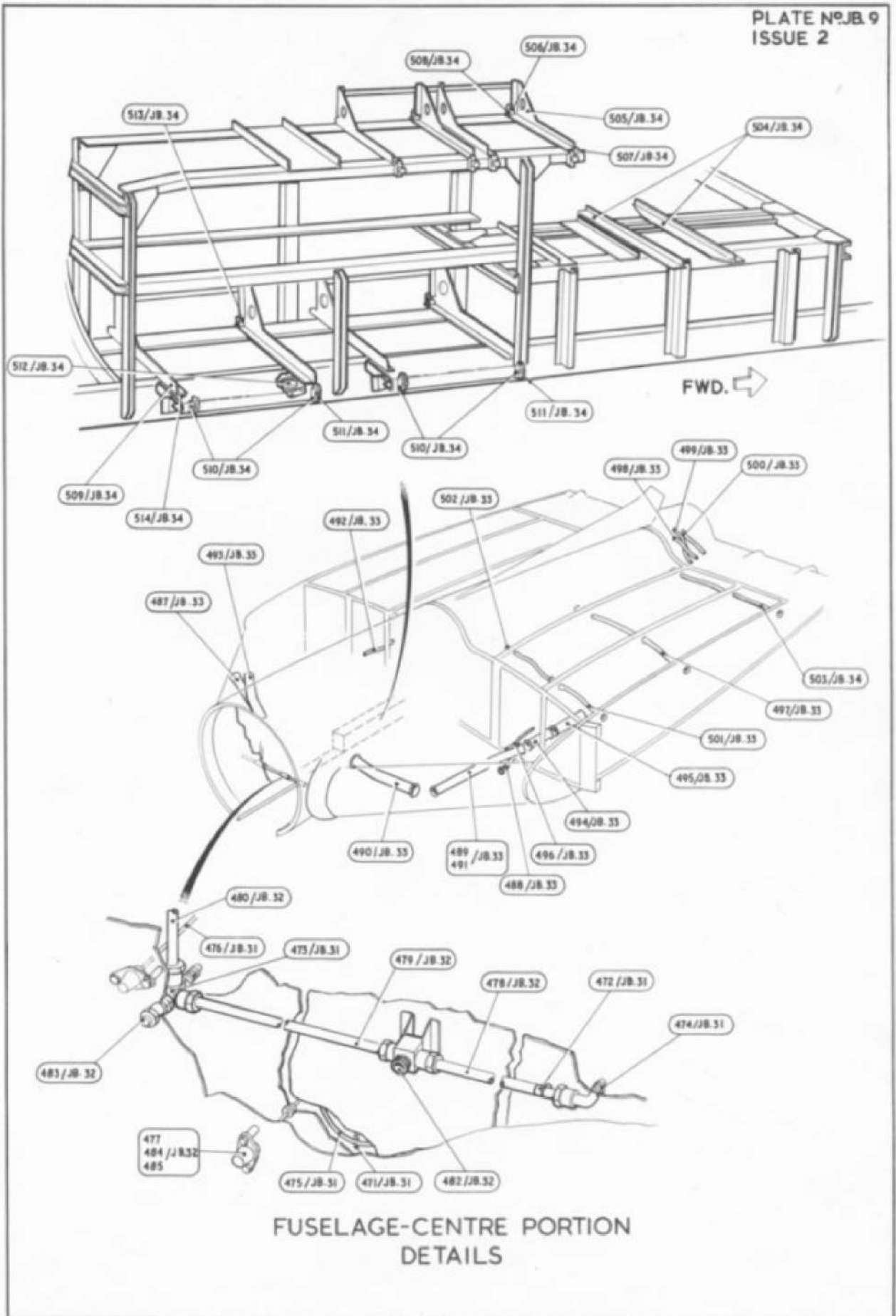
FUSELAGE-CENTRE PORTION
AIRBRAKE ROLLER BEARINGS



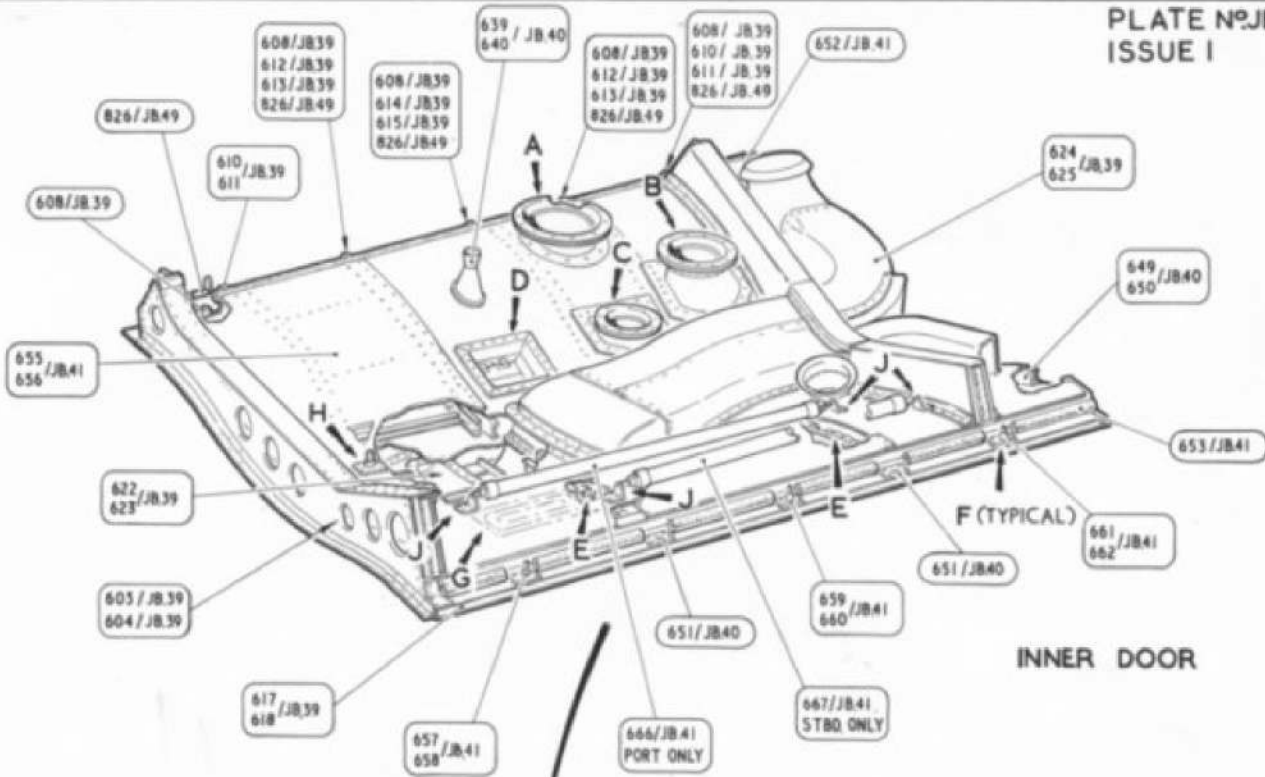
FUSELAGE-CENTRE PORTION
AIRBRAKE ROLLER BEARINGS



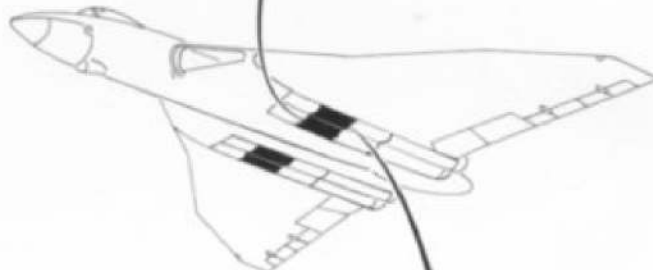
FUSELAGE-CENTRE PORTION
AIRBRAKE ROLLER BEARINGS



FUSELAGE-CENTRE PORTION
DETAILS

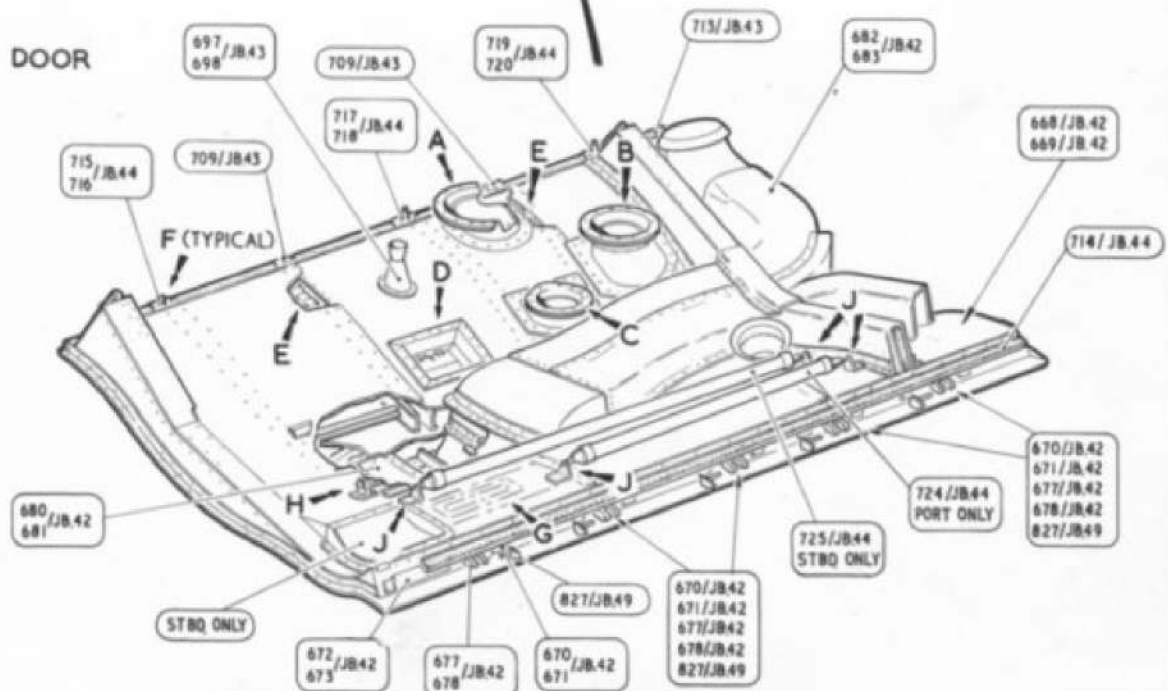


INNER DOOR

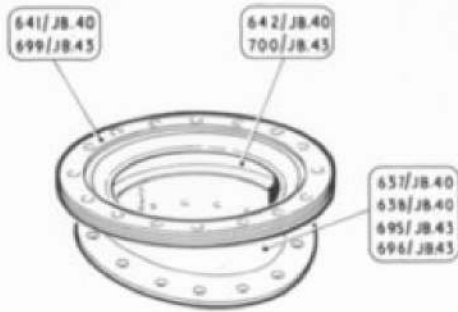


FOR DETAILS A,B,C,D,E,F,
G,H AND J SEE PLATE Nº JB 12

OUTER DOOR



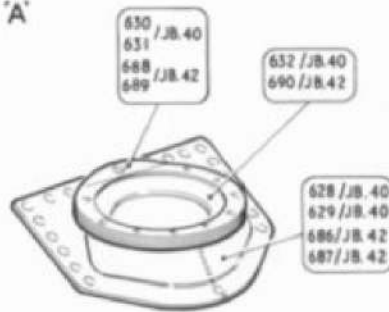
FUSELAGE - CENTRE PORTION
ENGINE ACCESS CENTRE DOORS



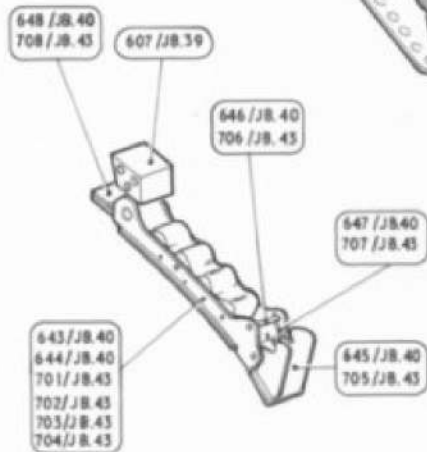
DETAIL AT 'A'



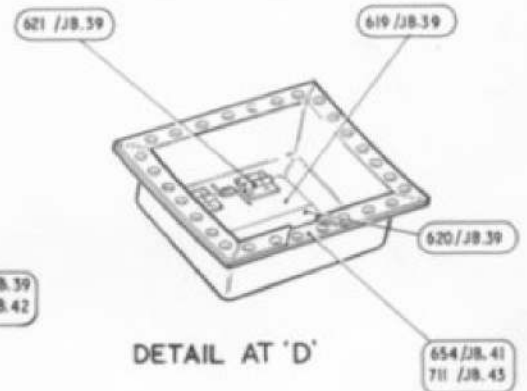
DETAIL AT 'B'



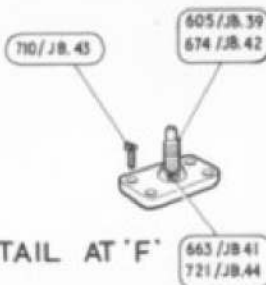
DETAIL AT 'C'



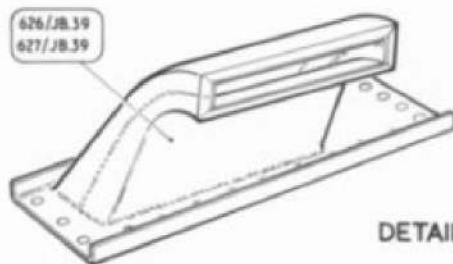
DETAIL AT 'E'



DETAIL AT 'D'



DETAIL AT 'F'

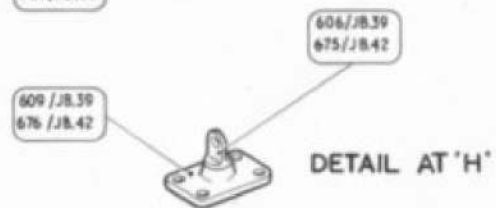


DETAIL AT 'G'

PORT OUTBD
STBD INBD



PORT INBD
STBD OUTBD



DETAIL AT 'H'

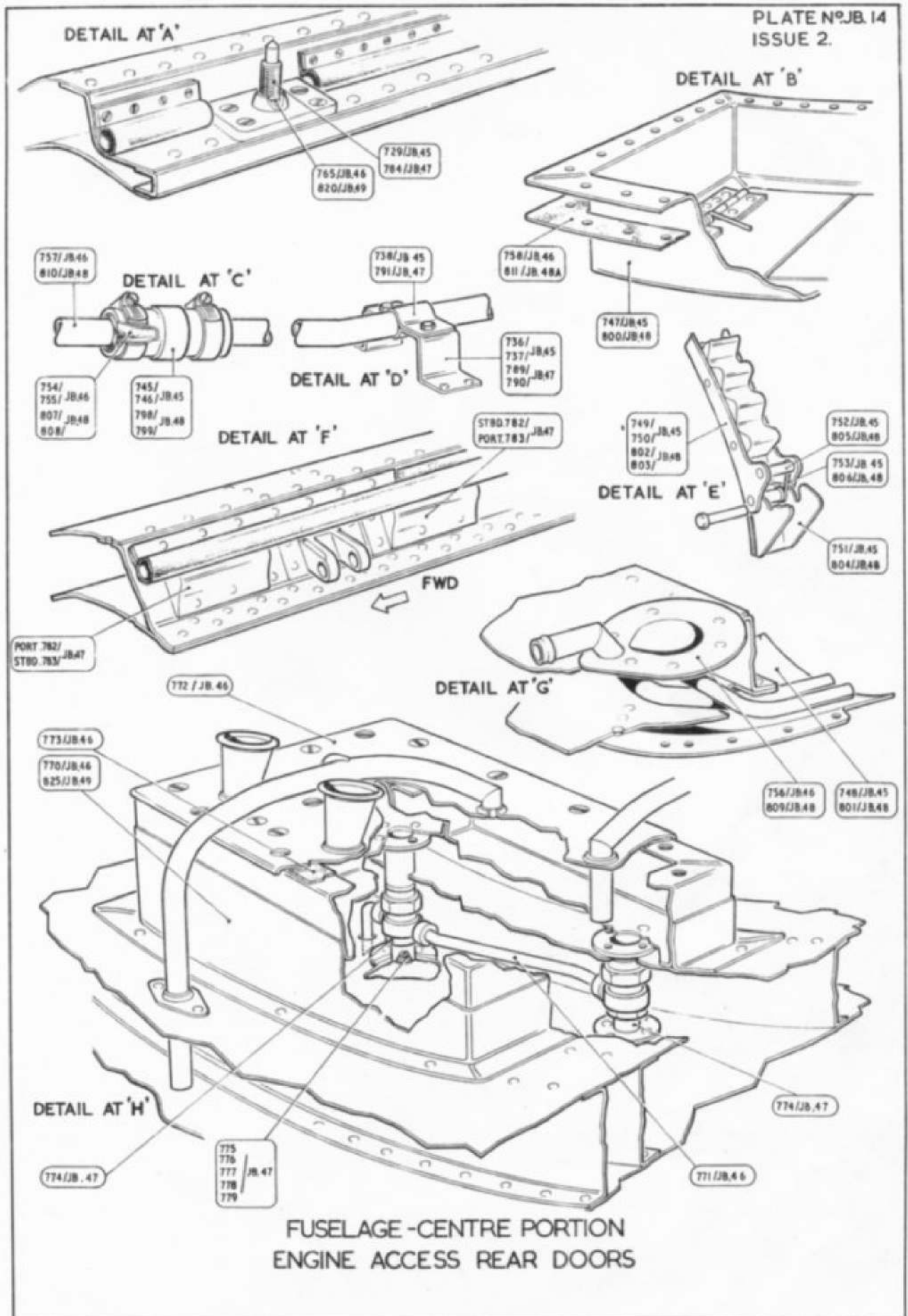


DETAIL AT 'J'

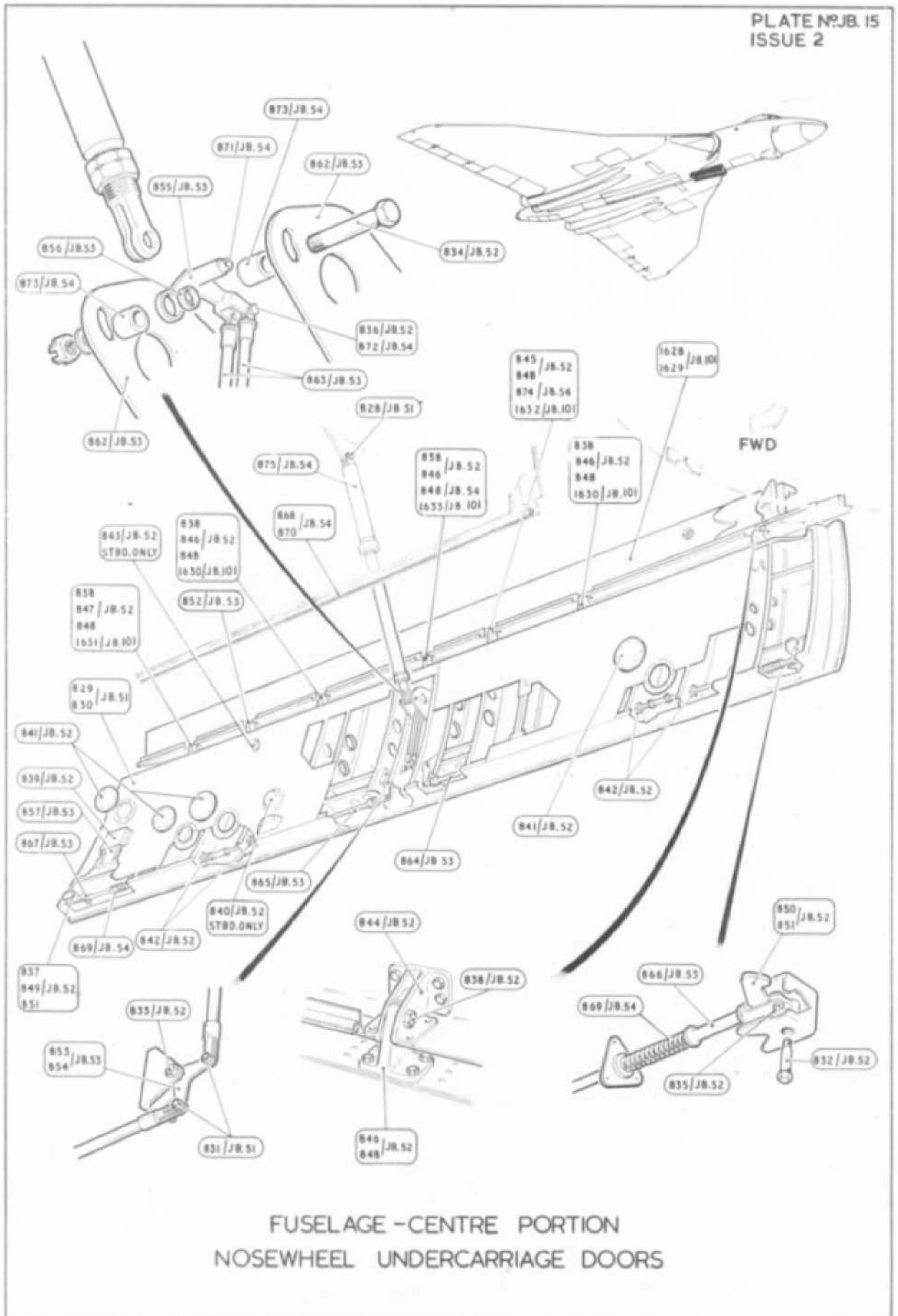
FUSELAGE-CENTRE PORTION
ENGINE ACCESS CENTRE DOORS

RESTRICTED

PLATE N°JB.14
ISSUE 2.



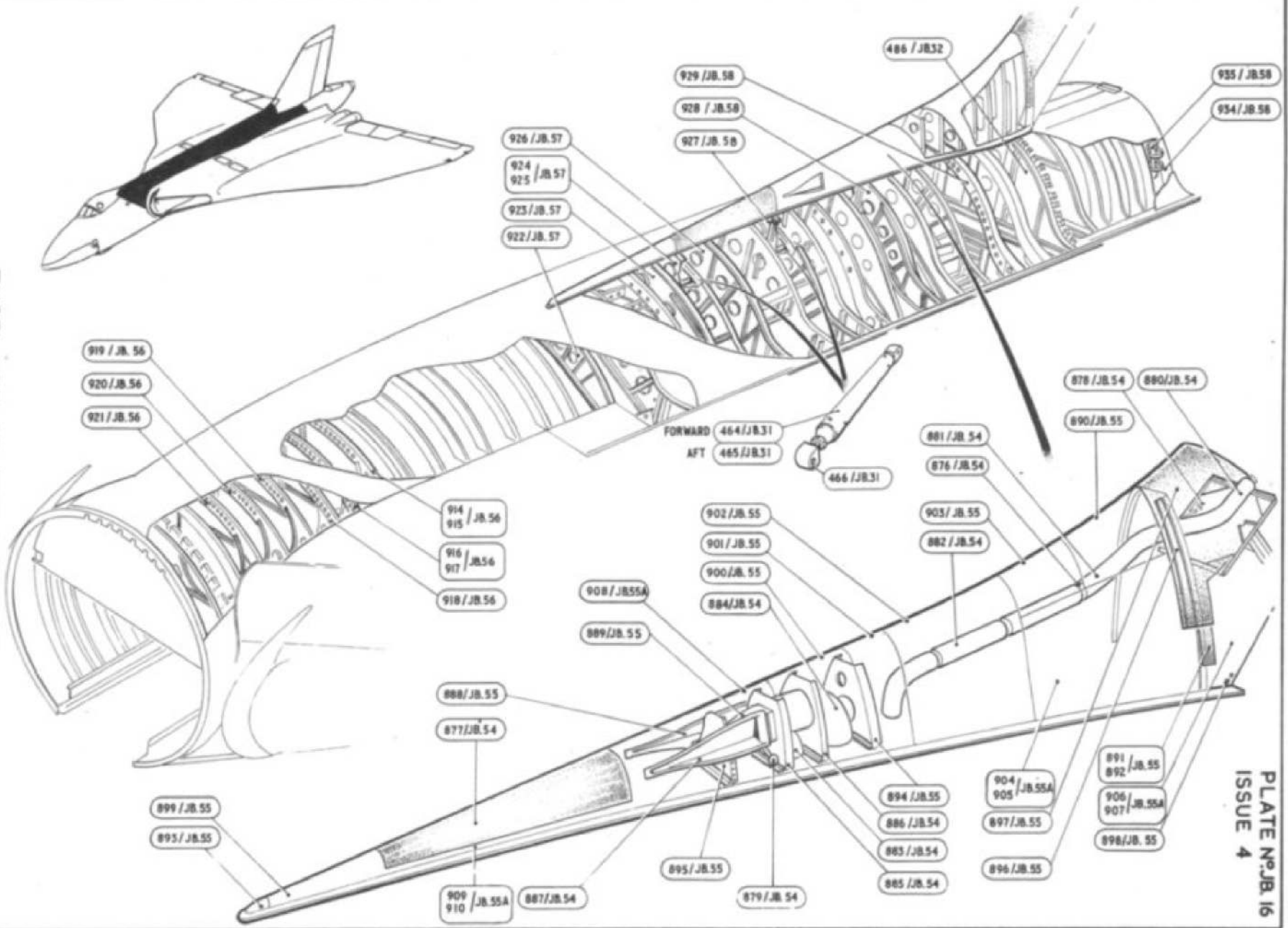
RESTRICTED



FUSELAGE - CENTRE PORTION
NOSEWHEEL UNDERCARRIAGE DOORS

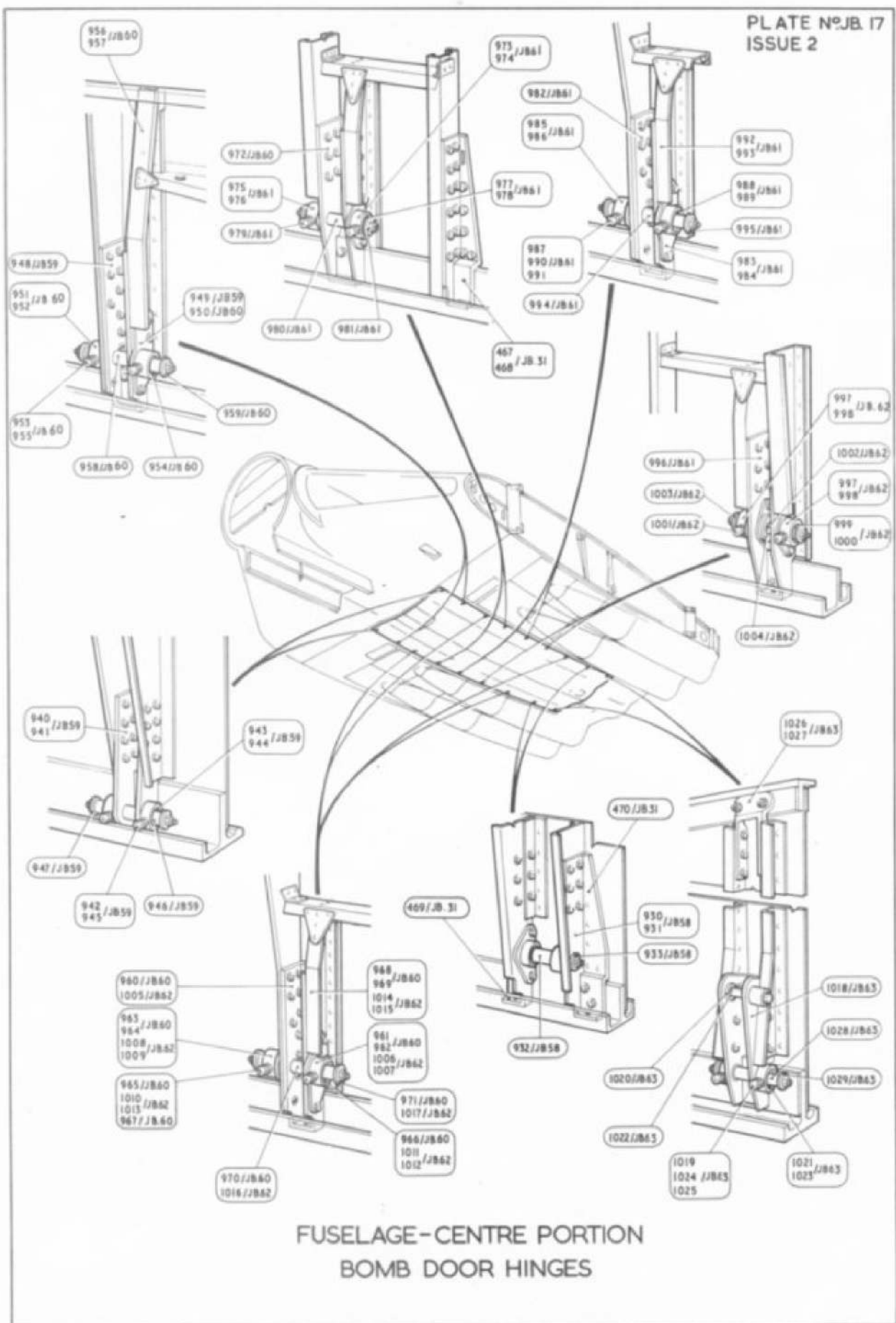
RESTRICTED

PLATE No: JB 16
ISSUE 4

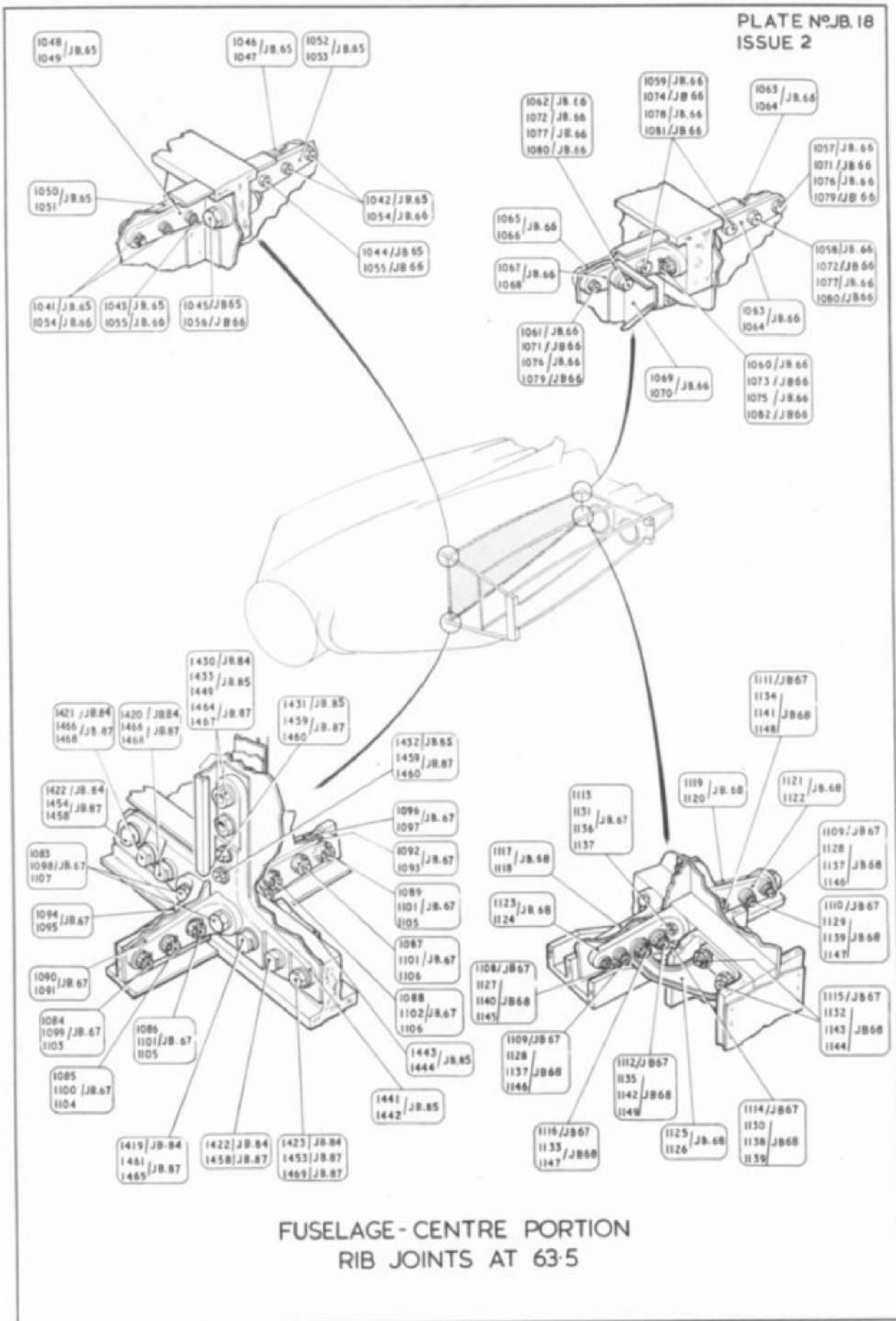


FUSELAGE-CENTRE PORTION
TOP STRUCTURE AND DORSAL FIN

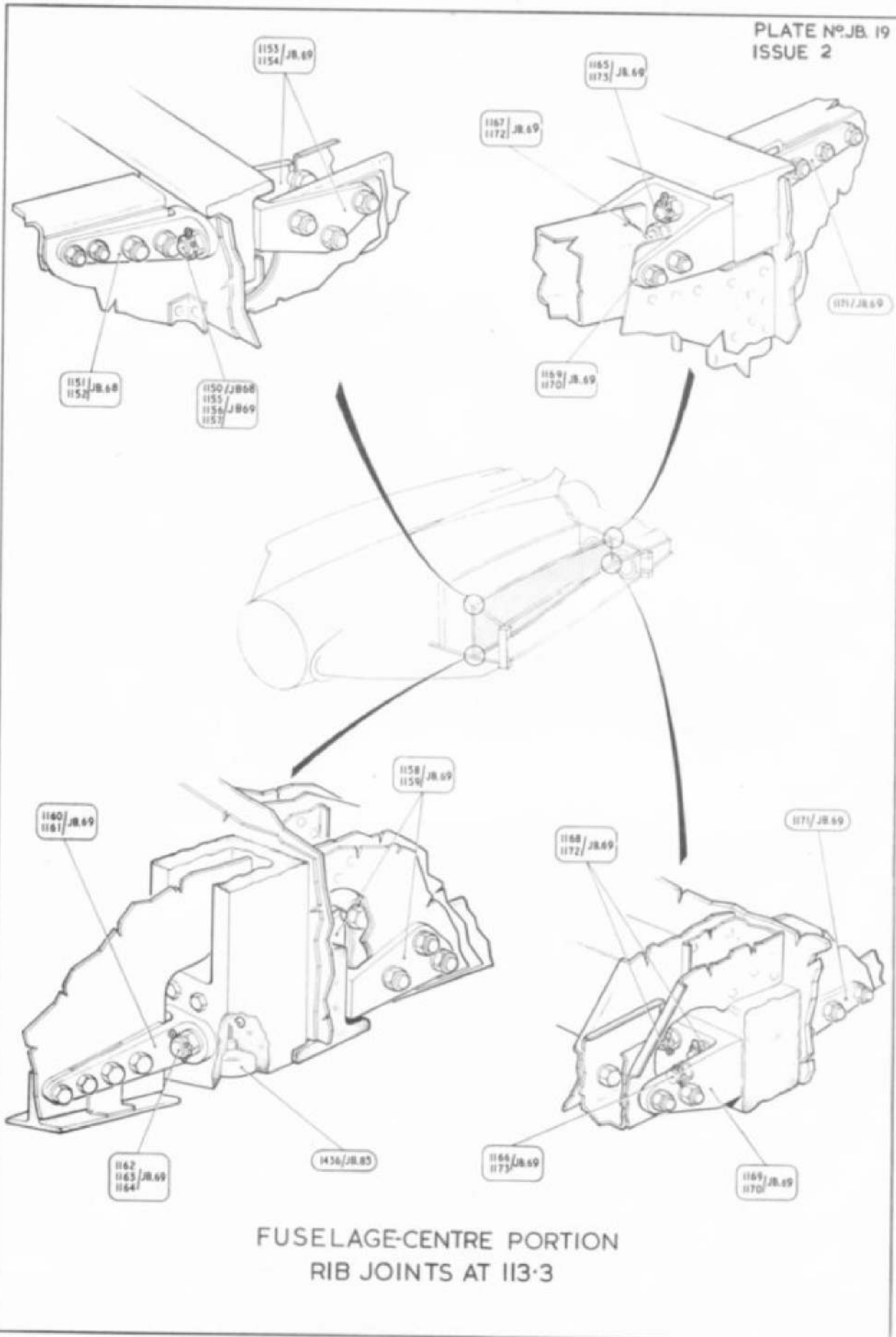
RESTRICTED



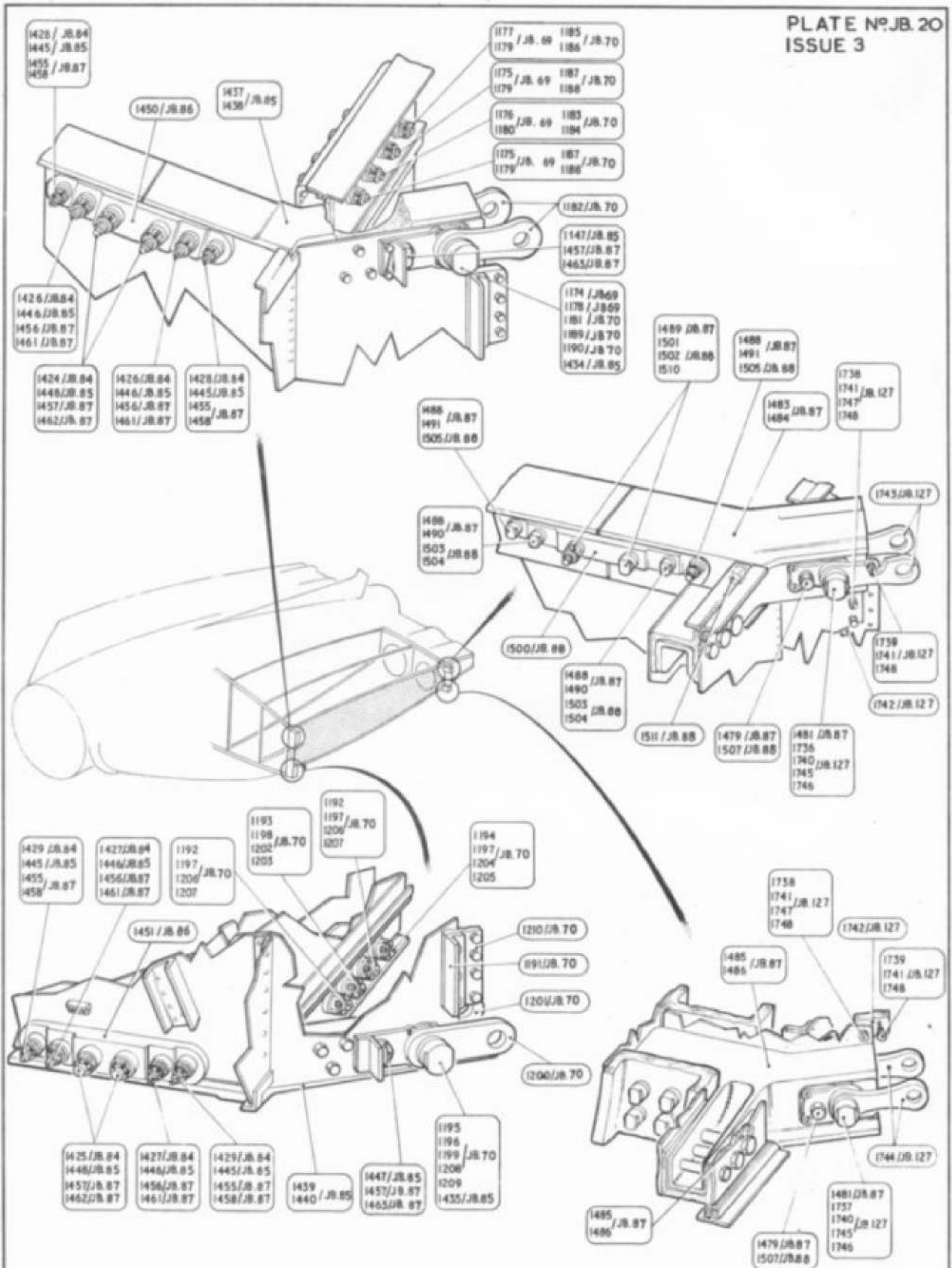
FUSELAGE-CENTRE PORTION
BOMB DOOR HINGES



FUSELAGE-CENTRE PORTION
RIB JOINTS AT 63-5



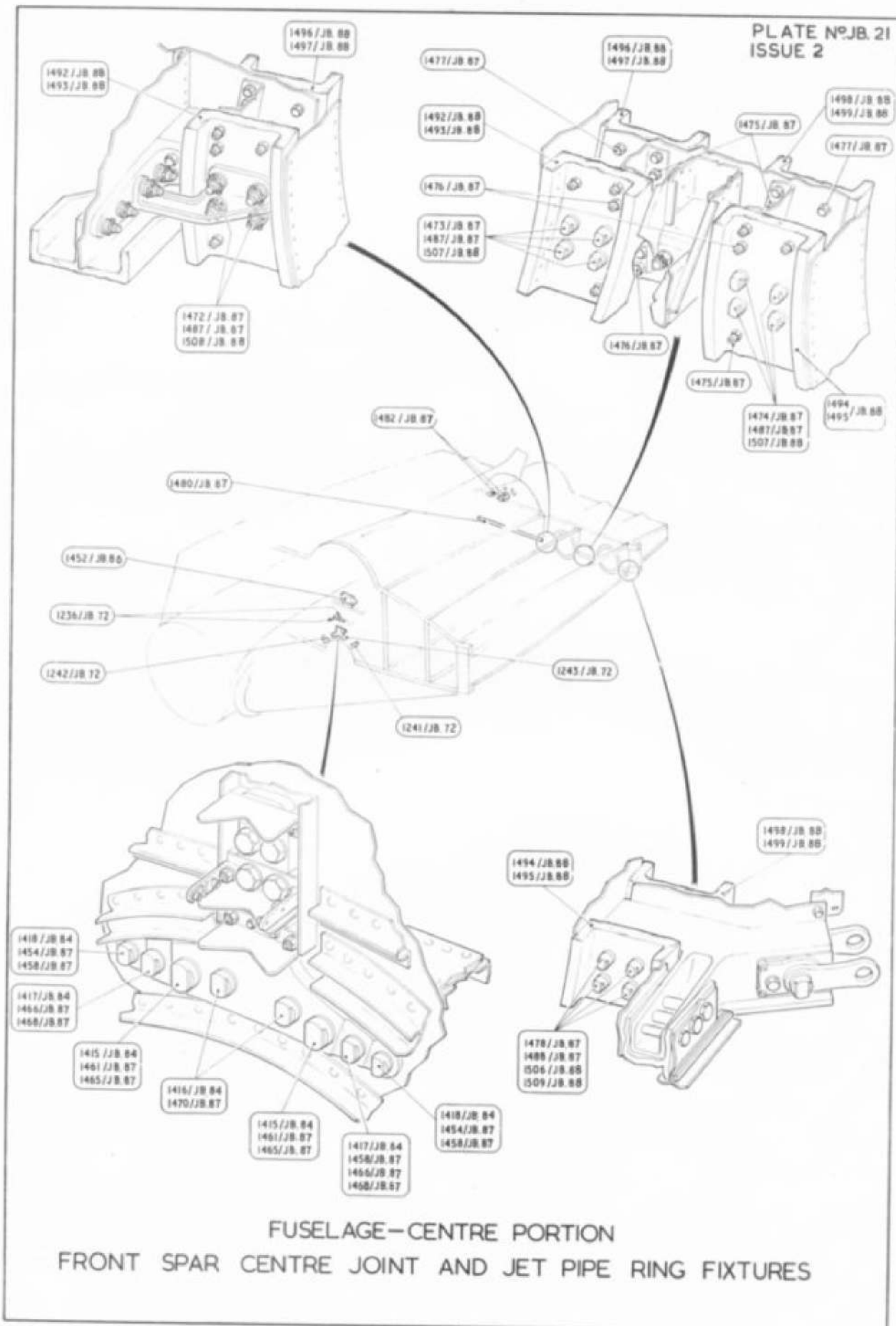
FUSELAGE-CENTRE PORTION
RIB JOINTS AT 113-3



FUSELAGE-CENTRE PORTION
RIB JOINTS AT 162.5

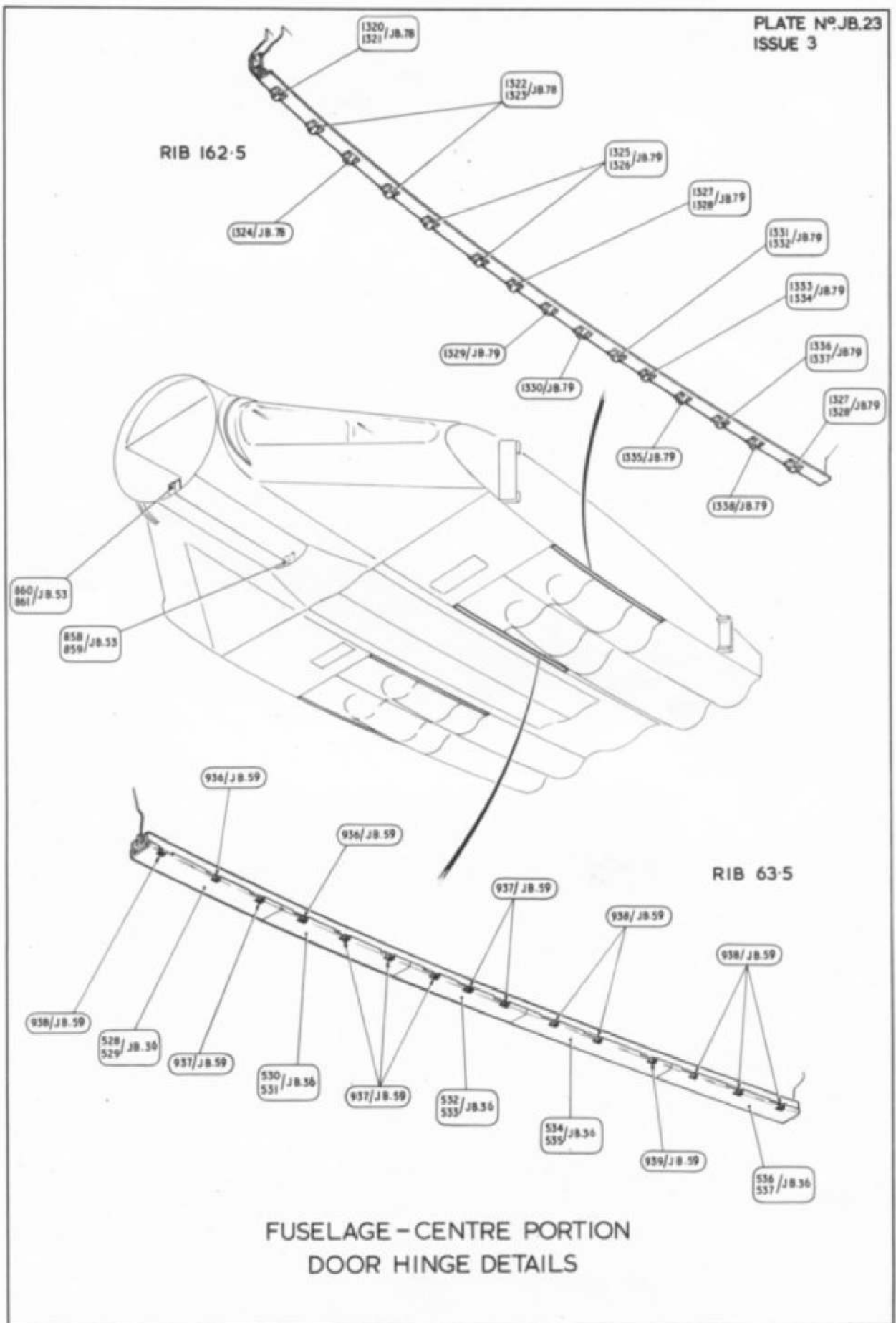
RESTRICTED

PLATE Nº JB 21
ISSUE 2



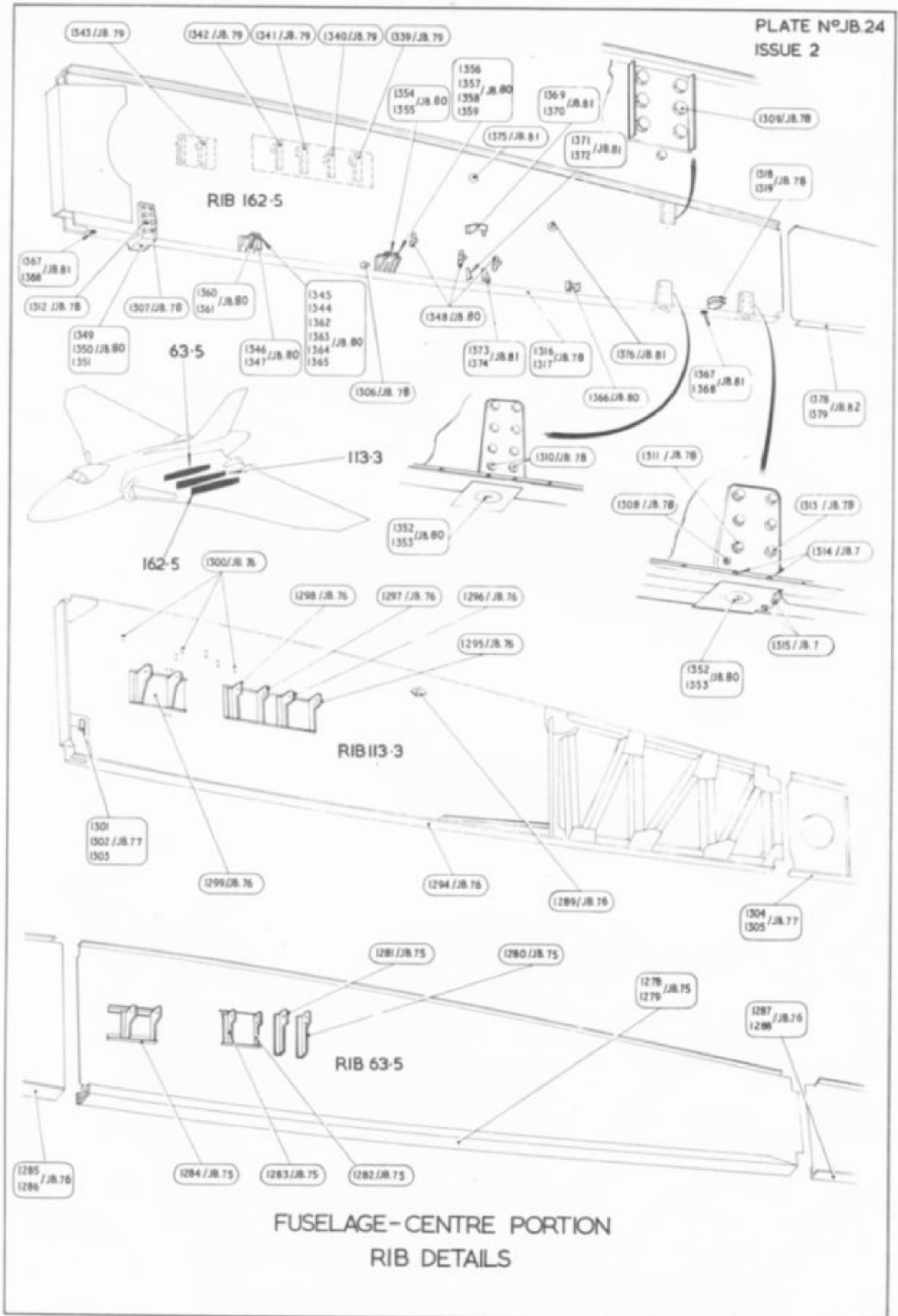
FUSELAGE—CENTRE PORTION
FRONT SPAR CENTRE JOINT AND JET PIPE RING FIXTURES

RESTRICTED



RESTRICTED

PLATE N°JB.24
ISSUE 2

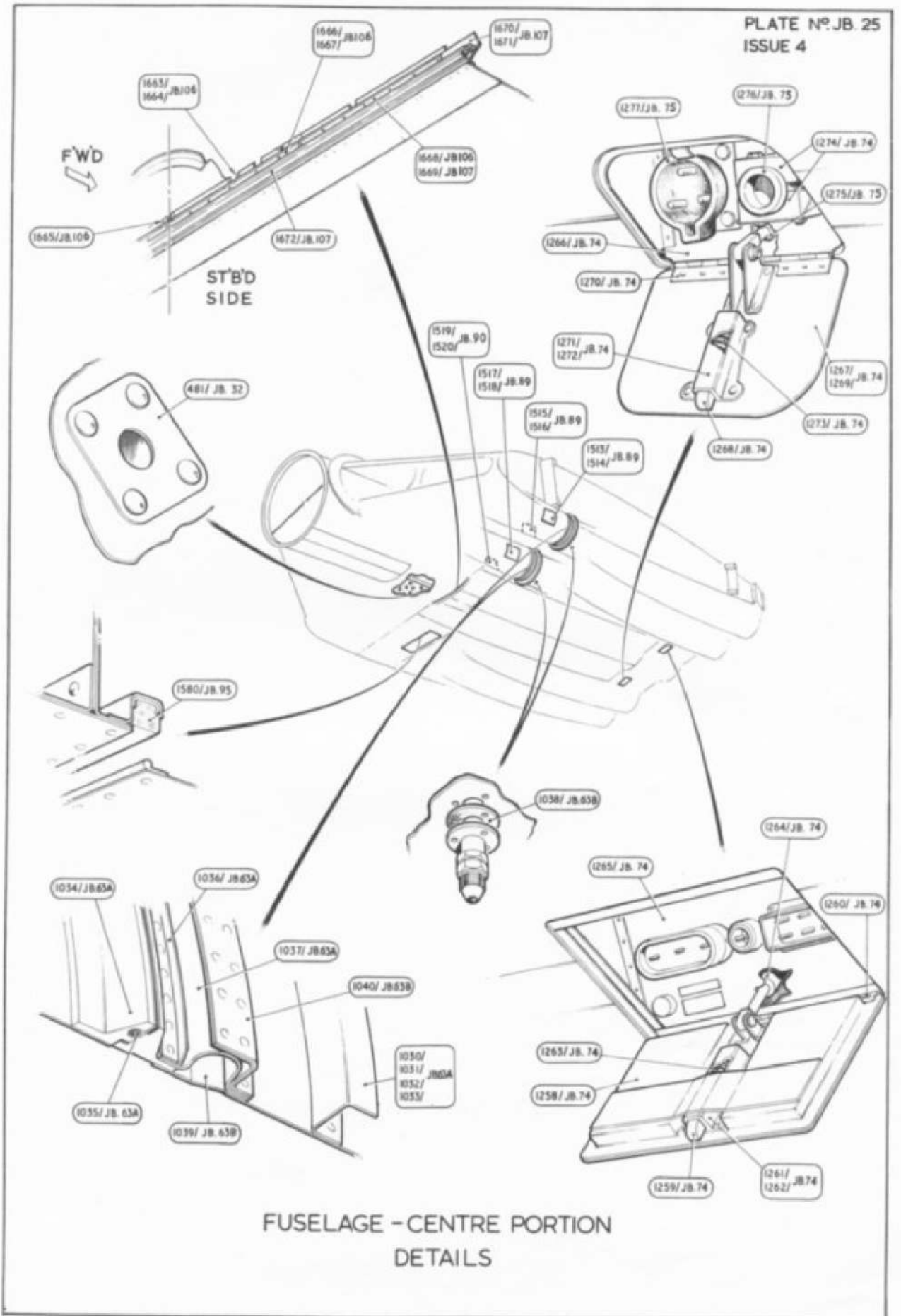


FUSELAGE-CENTRE PORTION
RIB DETAILS

RESTRICTED

RESTRICTED

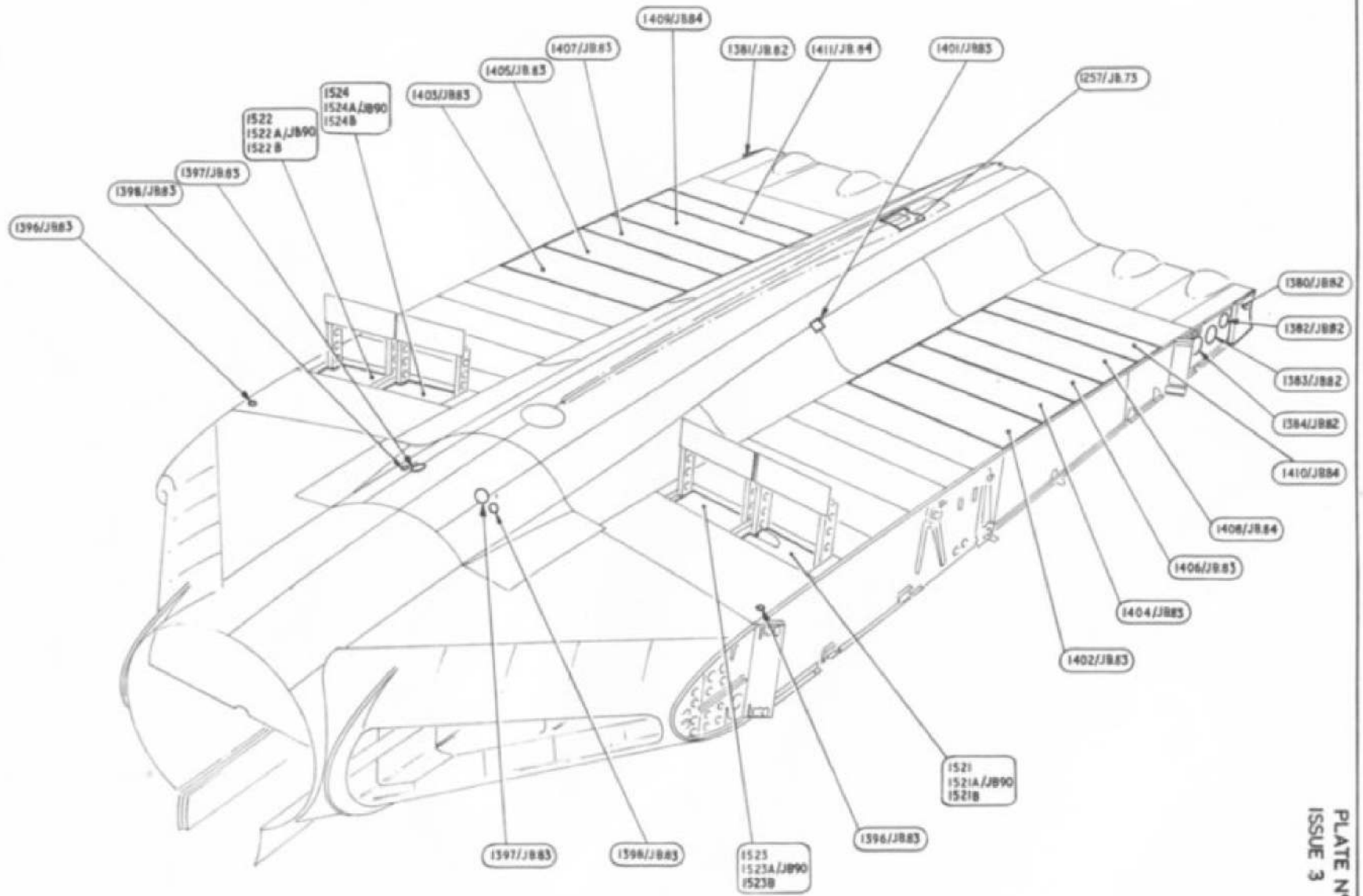
PLATE Nº JB. 25
ISSUE 4



FUSELAGE - CENTRE PORTION
DETAILS

RESTRICTED

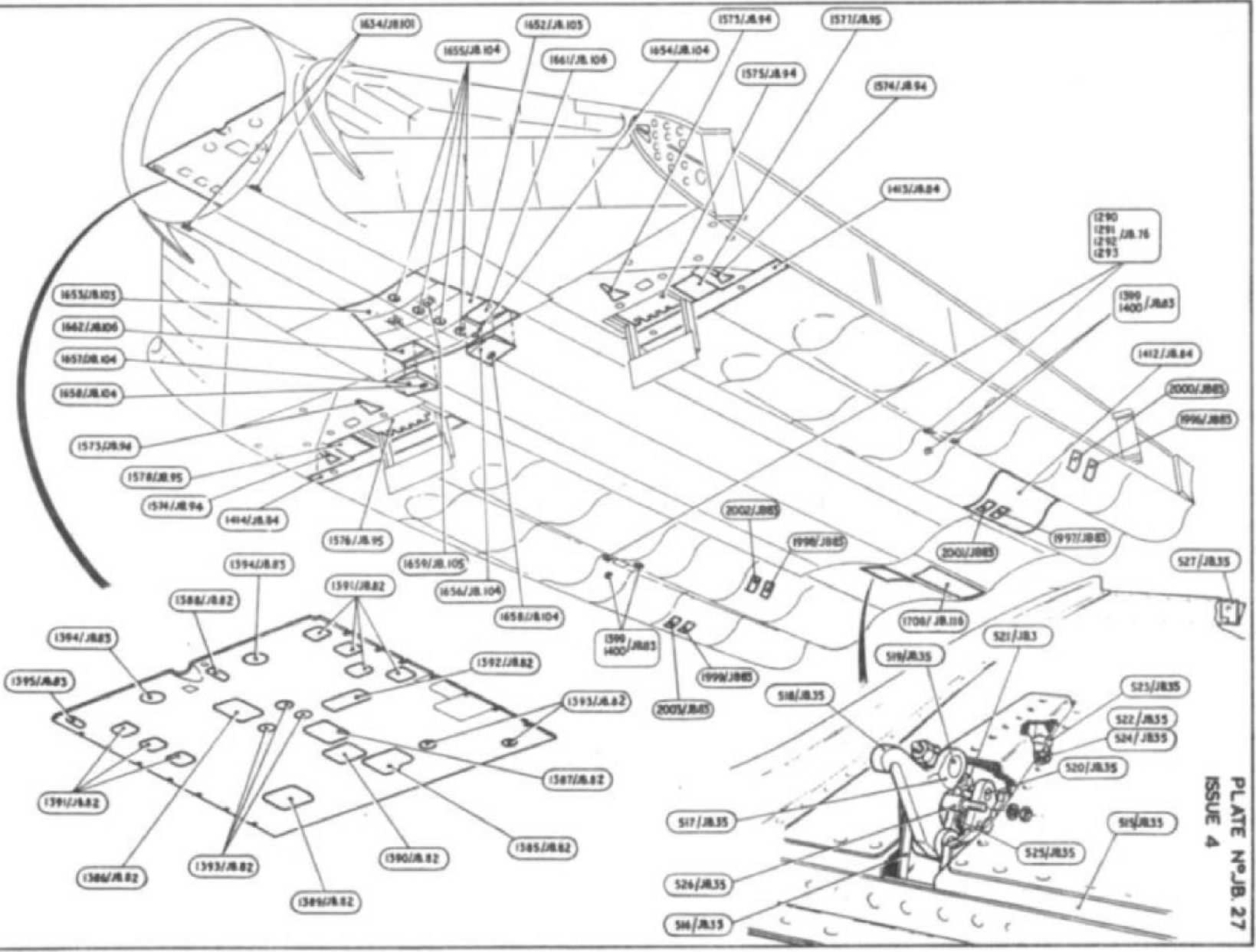
FUSELAGE - CENTRE PORTION
TOP SKINS AND ACCESS PANELS



RESTRICTED

RESTRICTED

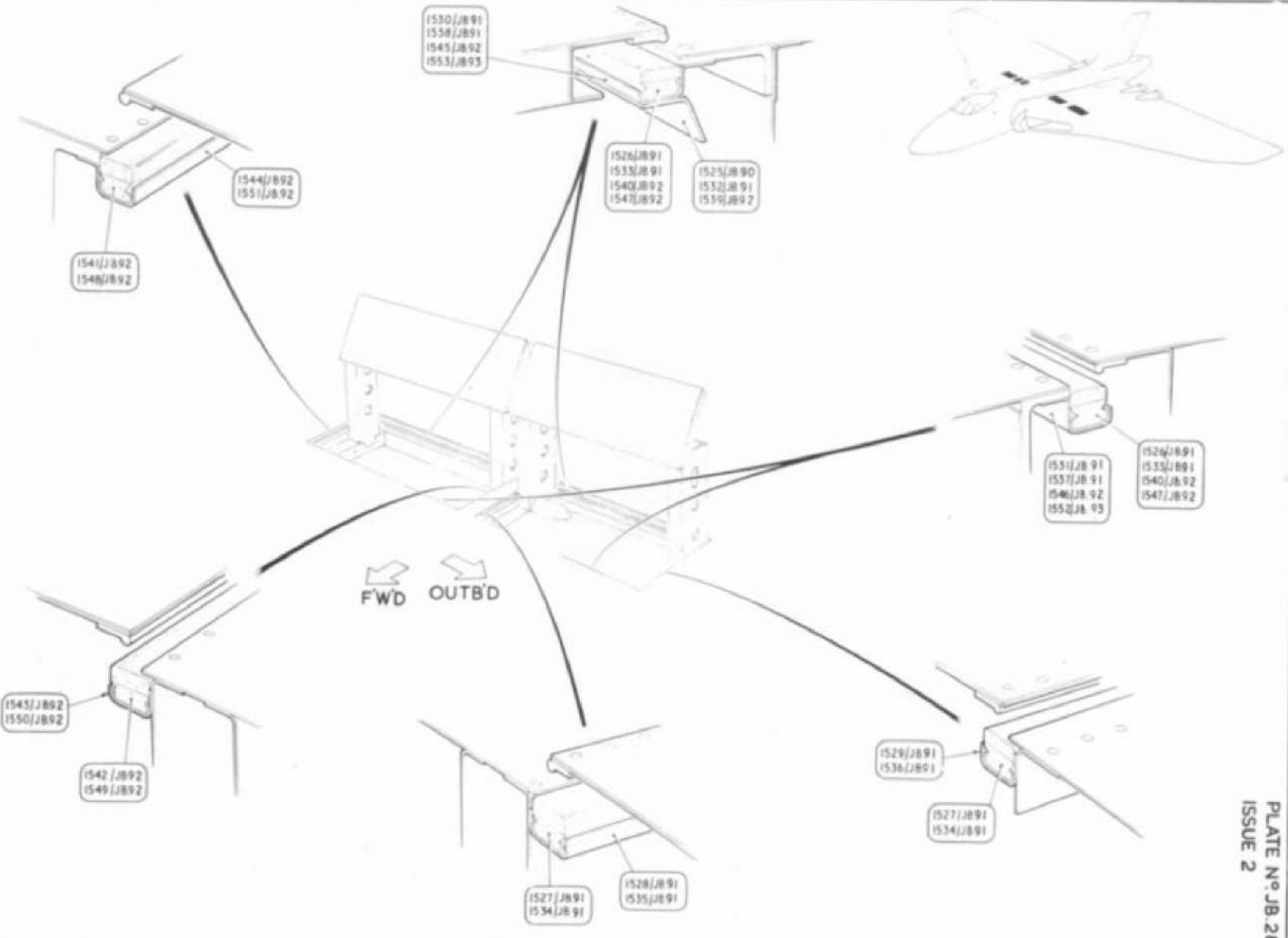
FUSELAGE-CENTRE PORTION
REMOVABLE PANELS



RESTRICTED

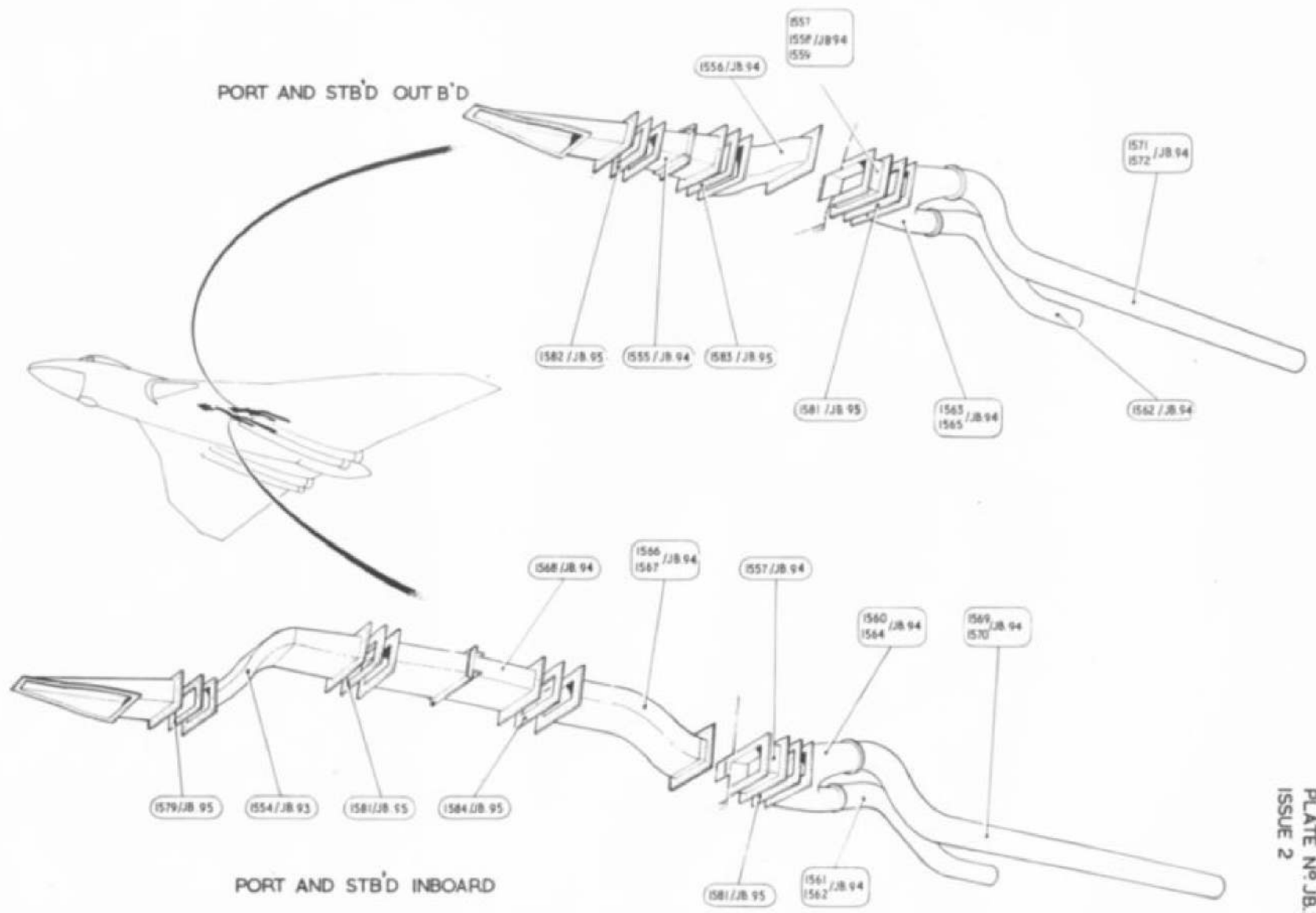
PLATE N° JB.28
ISSUE 2

FUSELAGE - CENTRE PORTION
TOP AIRBRAKE SEALING



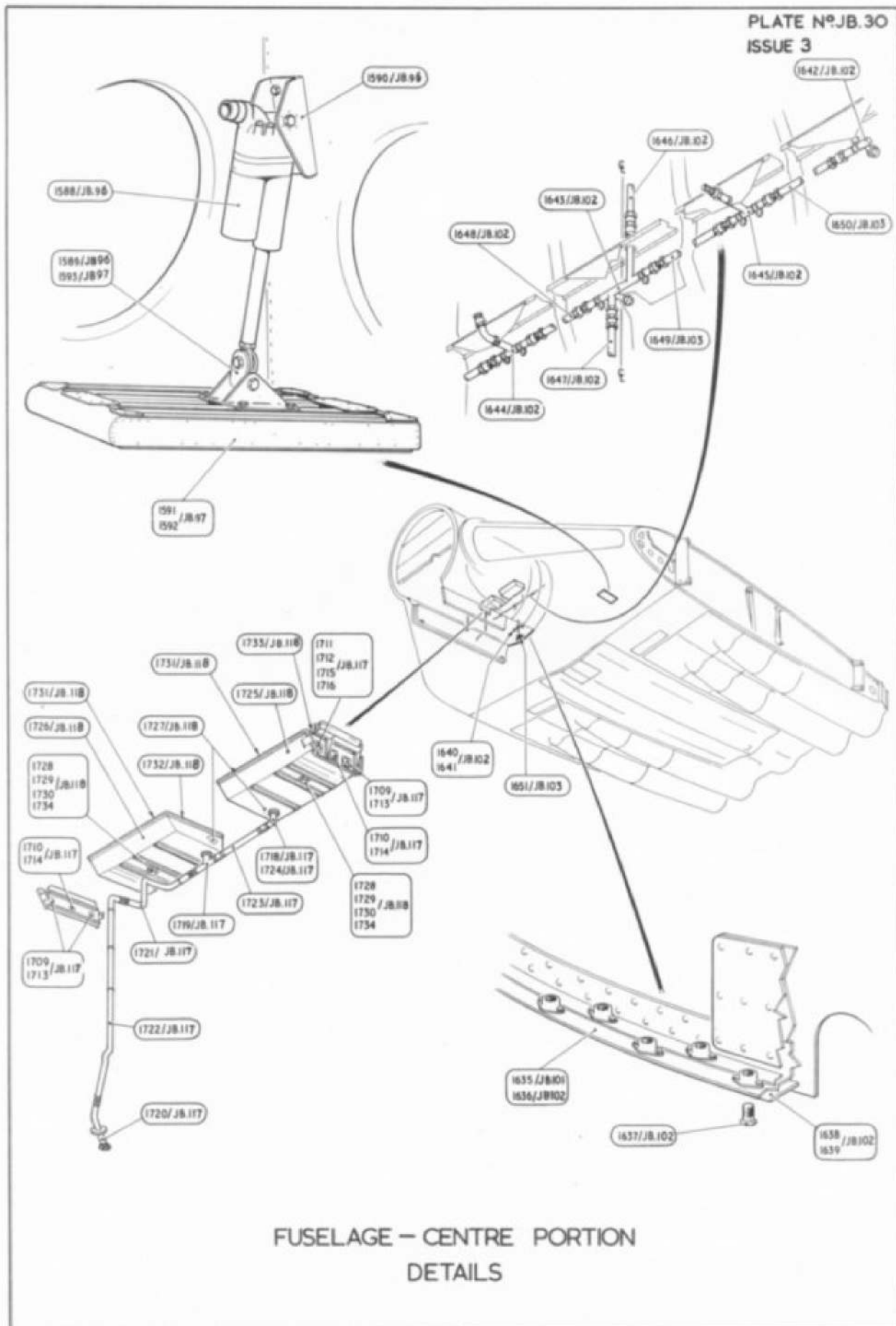
RESTRICTED

FUSELAGE - CENTRE PORTION
COOLING DUCTS



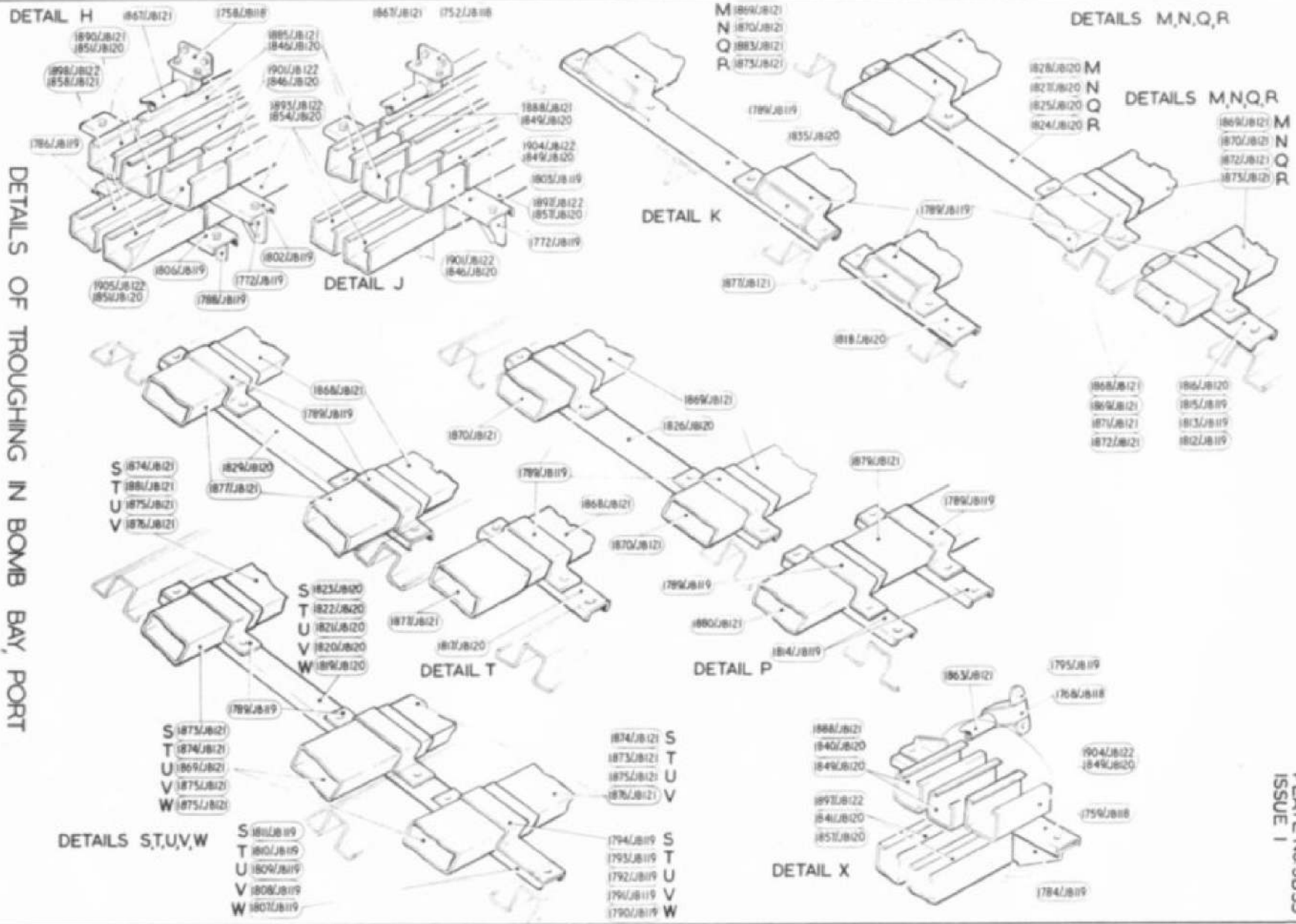
RESTRICTED

RESTRICTED



FUSELAGE - CENTRE PORTION
DETAILS

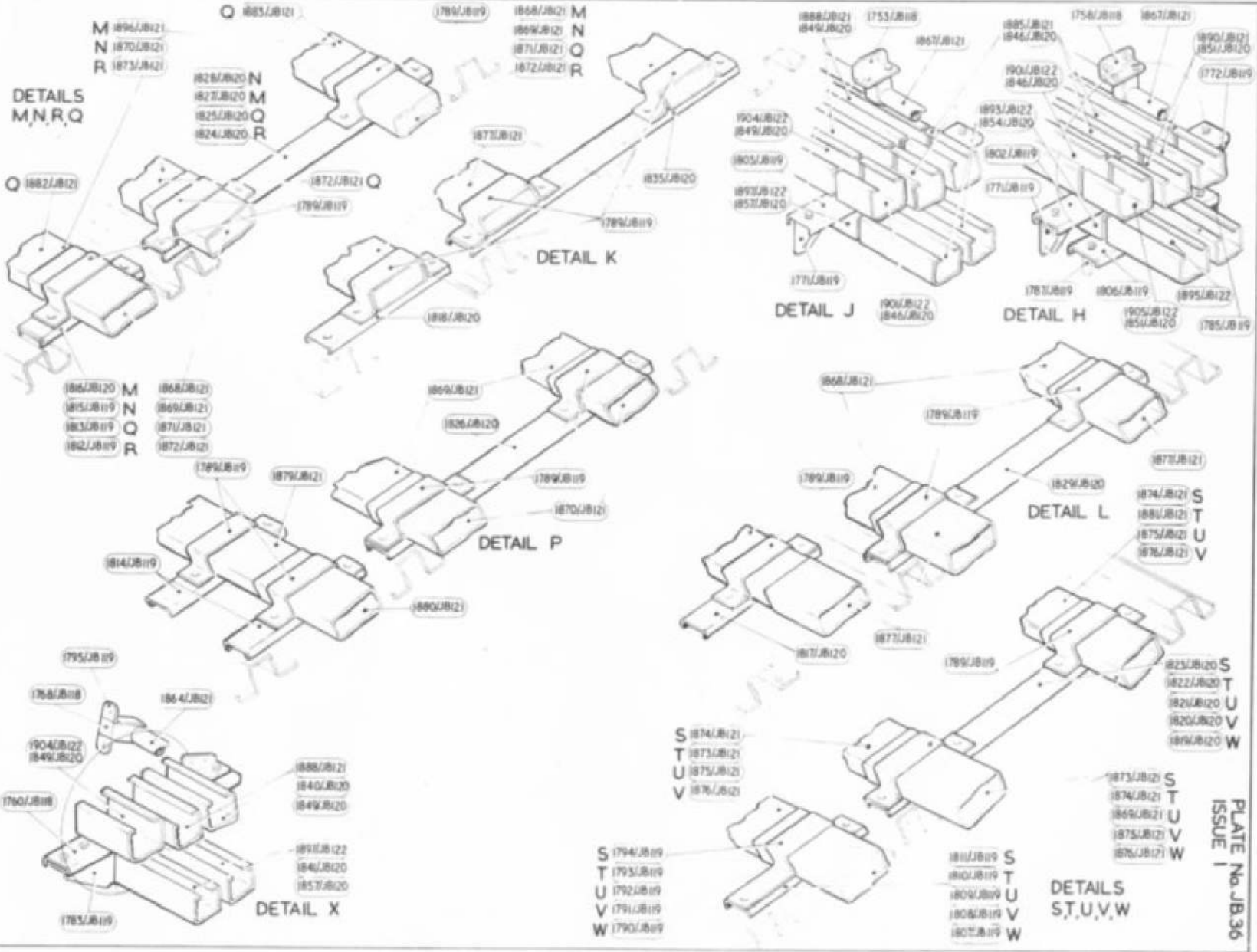
DETAILS OF TROUGHING IN BOMB BAY, PORT



RESTRICTED

RESTRICTED

DETAILS OF TROUGHING IN BOMB BAY, STBD.



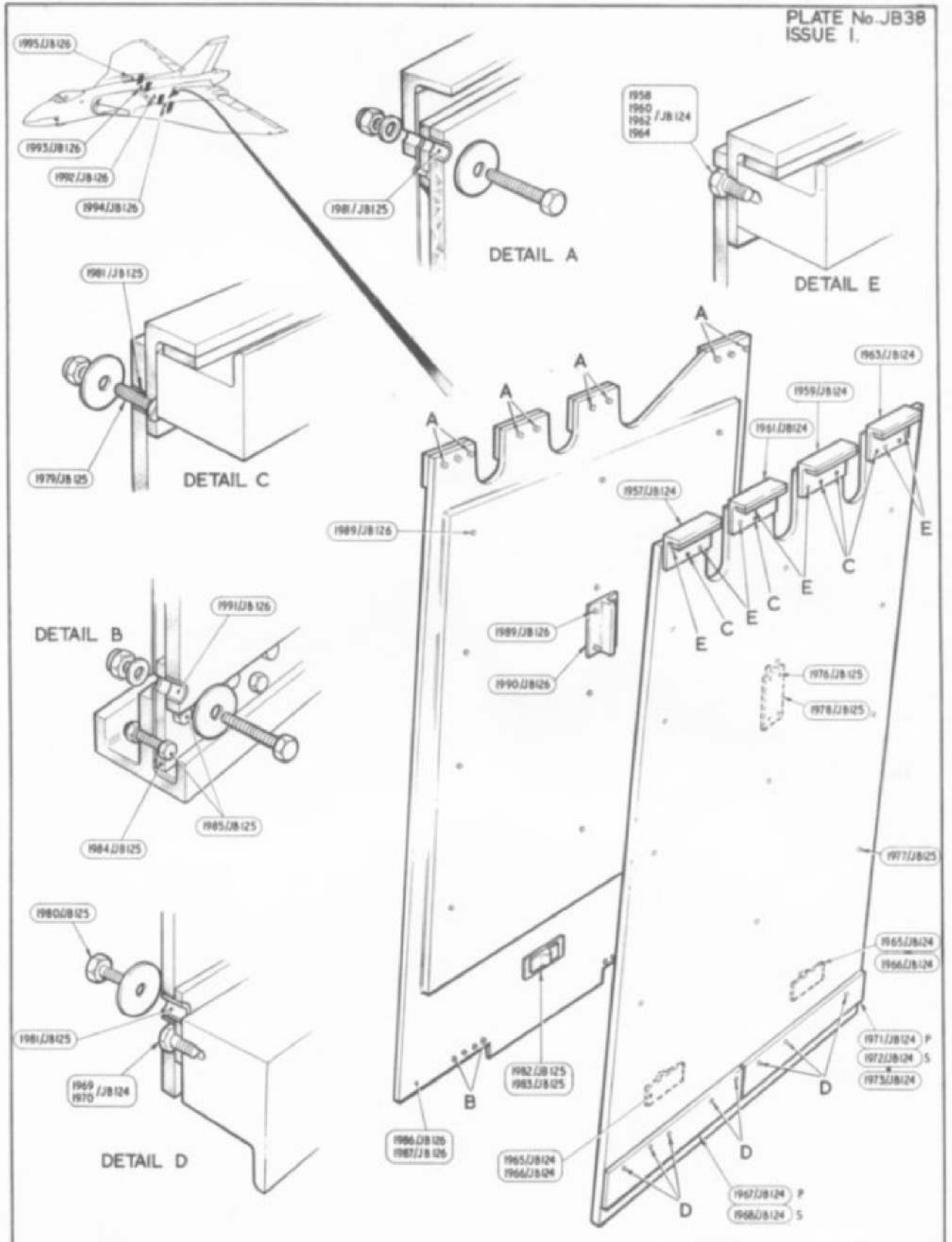
RESTRICTED

RESTRICTED

PLATE No. JB 36
ISSUE 1

RESTRICTED

PLATE No JB38
ISSUE I.

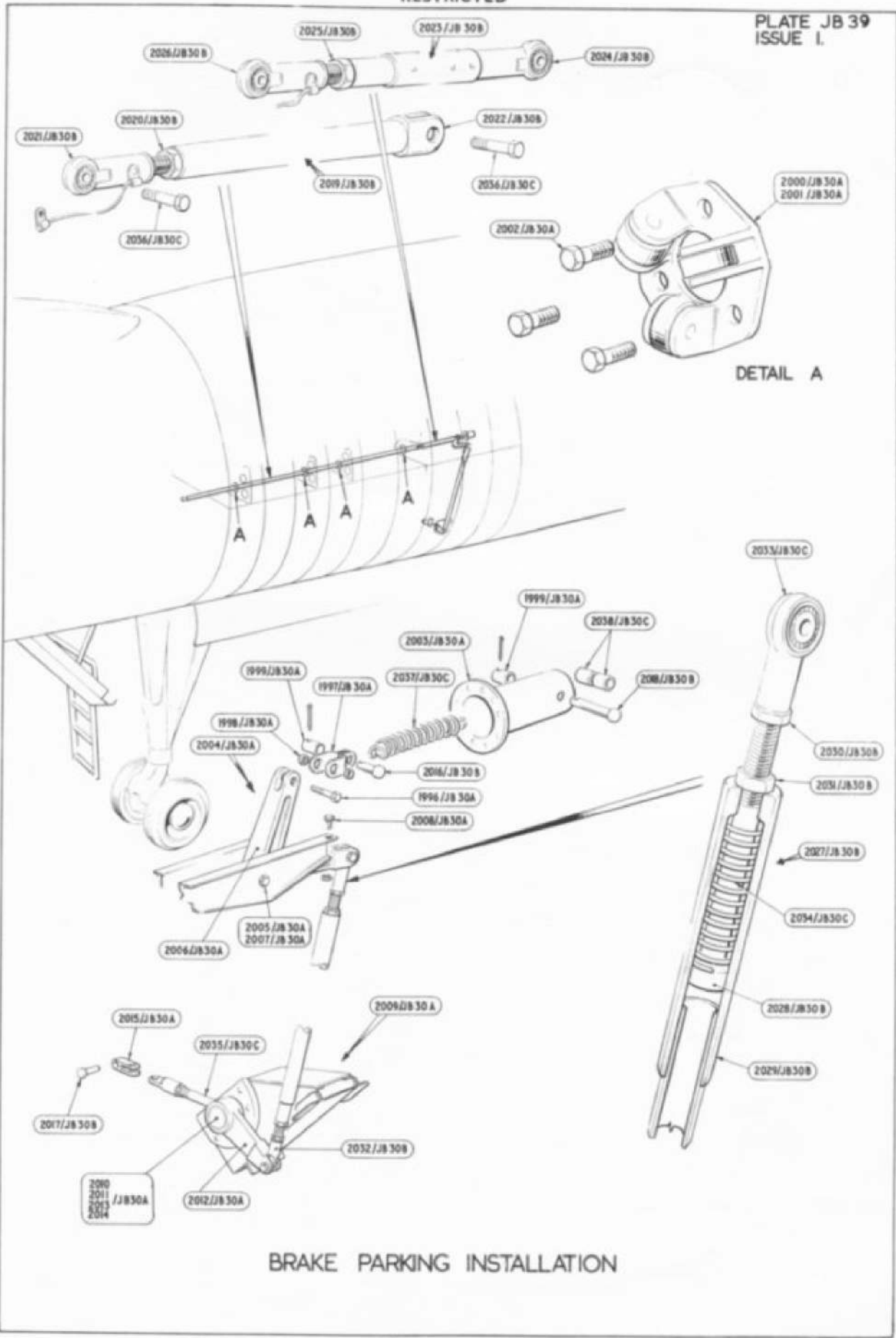


TURBINE DISC PROTECTION

RESTRICTED

RESTRICTED

PLATE JB 39
ISSUE I.



BRAKE PARKING INSTALLATION

RESTRICTED

This file was downloaded
from the RTFM Library.

Link: www.scottbouch.com/rtfm

Please see site for usage terms,
and more aircraft documents.

A close-up photograph of a red aircraft fuselage. A grey fabric cover is draped over a section, with the text "LIGHTNING MK. 1", "COVER PITOT HEAD", and "EB2-88-511" printed on it in black. To the right, a rectangular metal plate is mounted on the red surface with four screws. The background shows the curved structure of the aircraft and several rivets.

LIGHTNING MK. 1
COVER PITOT HEAD
EB2-88-511