

FUSELAGE
FAIRING, MAIN UNDERCARRIAGE

Ref. No.	Part No.	Description	No. off	Matl. Spec.	Cl. of St.	Plate and Illust'n No.
					M.R.	
		1 2 3 4				
		FAIRING, MAIN UNDERCARRIAGE				
27	1F8773	FAIRING, HINGED, MAIN UNDER- CARRIAGE BAY, PORT, GROUP	1	—	A	JF1/1
28	2F8773	FAIRING, HINGED, MAIN UNDER- CARRIAGE BAY, STARBOARD, GROUP	1	—	A	JF1/2
		Spares for:—				
3513	5F8787	Bracket, hinge, outboard, port	1	DTD364B	MR	JF1/3
	6F8787	Bracket, hinge, outboard, starboard	1	DTD364B	C	JF1/4
	7F8787	Bracket, hinge, inboard, port	1	DTD364B	MR	JF1/5
	8F8787	Bracket, hinge, inboard, starboard	1	DTD364B	MR	JF1/6
3516	120F8773	CATCH, GREEN SATIN WINDOW, PORT, GROUP	1	—	C	JF1/7
		Consisting of:—				
	120bF8773	Bracket, mounting	1	L65		
	120aF8773	Lever	1	L65		
	120dF8773	Pin	1	S96		
	120cF8773	Spring	1	—	MR	JF1/8
	75F8773	FLAP, HINGED, PORT, GROUP	1	—	MR	JF1/9
	76F8773	FLAP, HINGED, STARBOARD, GROUP	1	—	MR	JF1/10
		Spares for:—				
	75gF8773	Hinge (Make from Ref. 28N/10786 x 14-1/2" long) port	1	L72		
	76gF8773	Hinge (Made from Ref. 28N/10786 x 14-1/2" long) starboard	1	L72		
	85F8773	STIFFENER, SPRING ANCHORAGE, PORT, GROUP	1	—	MR	JF1/11
	86F8773	STIFFENER, SPRING ANCHORAGE, STARBOARD, GROUP	1	—		JF1/12
		Spares for:—				
	89F8773	ANCHORAGE, SPRING, GROUP	1	—	MR	
28N/9153394	AGS899/6	Collar, for pin	1	—	C	JF1/13
28P/1117555	SP4Z/F19	Pin	1	—	C	JF1/14
	80F7766	Spring	1	—	MR	JF1/15
7521	1F10802	FAIRING, FIXED, UNDERCARRIAGE, INBOARD, PORT, GROUP	1	—	B	JF1/16
7522	2F10802	FAIRING, FIXED, UNDERCARRIAGE, INBOARD, STARBOARD, GROUP	1	—	B	JF1/17
		Spares for:—				
	3F10802	FAIRING, REMOVABLE, PORT, GROUP	1	—	MR	JF1/18
	4F10802	FAIRING, REMOVABLE, STARBOARD GROUP	1	—	MR	JF1/19
		Spares for:—				
	9gF8774	Seal (Make from SS4493, Ref. 26DC/12285 x 12" long)	1	DTD458A		JF1/20
	9fF8774	Strip, retaining	1	L72		JF1/21

FUSELAGE
FAIRING, MAIN UNDERCARRIAGE

Ref. No.	Part No.	Description	No. off	Matl. Spec.	Cl. of St.	Plate and Illust'n No.
					M.R.	
		1 2 3 4				
		FAIRING, FIXED, UNDERCARRIAGE, INBOARD, PORT AND STARBOARD (1 & 2F10802) (Cont'd)				
	17F10802	PANEL, HONEYCOMBE, PORT, GROUP (Mod. 1200)	1	—		JF1/22
	18F10802	PANEL, HONEYCOMBE, STARBOARD, GROUP (Mod. 1200)	1	—		JF1/23
	5F8774	Spares for:— ANGLE, ATTACHMENT, PORT, GROUP	1	—		JF1/24
28FP/340	S5/300	Spares for:— Spring, dzus	3	—	C	
	6F8774	Angle, attachment, starboard	1	L72		JF1/25
9085	34F8774	Bracket, angle, for struts, port	3	L65	C	JF1/26
8818	35F8774	Bracket, angle, for struts, starboard	3	L65	C	JF1/27
9086	36F8774	Bracket, angle, for struts, port	3	L65	C	JF1/28
8819	37F8774	Bracket, angle, for struts, starboard	3	L65	C	JF1/29
	45F8774	Connection, drain, starboard	1	—		
1939	13F8774	DOOR, ACCESS, PORT, GROUP	1	—	C	JF1/30
		Spares for:—				
28FP/736	EF5/40A	Fastener, dzus	3	—	C	
	13bF8774	Hinge (Make from Ref. 28N/10786 x 11" long)	1	L72	C	
	3uF8774	Seal, Linatex (Make from K.O.118 x 53" long)	1	—	MR	JF1/31
	3tF8774	Seal (Make from SS4494 x 53" long)	1	DTD560		JF1/32
	3vF8774	Strip, seal retaining	1	L72		JF1/33
	38F8774	Washer, special, at angle brackets	6	L72		JF1/34
		STOWAGE, JURY STRUT, MAIN U/C BAY, PORT AND STARBOARD (1 & 2Z9528)				
		Spares for:—				
7527	3Z9528	BRACKET, SUPPORT, PORT, GROUP	1	—	C	JF1/35
7528	4Z9528	BRACKET, SUPPORT, STARBOARD, GROUP	1	—	C	JF1/36
7529	1Z9529	BRACKET, SUPPORT, PORT, GROUP	1	—	C	JF1/37
	2Z9529	BRACKET, SUPPORT, STARBOARD, GROUP	1	—	MR	JF1/38
		Spares for:—				
	ASHTON CHAIN					
	14Z9529	Chain, 6" long	1	—		
	5Z9529	Cushion, 3/16" x 1.9" x 4.25"	1	Rubber		
28FP/9432062	A413	Pin, quick release	1	—	C	JF1/39
	15Z9529	Ring, split, for chain	2	—		
	6Z9529	Strap, leather	1	—		
	798SS6002	Label, "Stowage for jury strut etc."	1	—		JF1/40

VULCAN Mk 2

FUSELAGE

Page JF. 3

FAIRING, MAIN UNDERCARRIAGE

Ref. No.	Part No.	Description	No. off	Matl. Spec.	Cl. of St.	Plate and Illust'n No.
					M.R.	
		1 2 3 4				
FAIRING, FIXED, UNDERCARRIAGE, INBOARD, PORT AND STARBOARD (1 & 2F10802) (Cont'd.)						
7526 1941	8F10802	Strut, aft	1	—	MR	JF1/41
	9F10802	Strut, forward	1	—	C	JF1/42
	25F8774	Strut, centre	1	—	C	JF1/43
		Attachments, Struts, 25F8774, 8 & 9F10802				
28N/1045680	AGS899/2	Collar	6	—	C	JF1/44
28P/1207865	SP4Y/B5	Pin, shackle, 3/16" x 0.45" long	3	—	C	JF1/45
28P/7134168	SP4Y/B6	Pin, shackle, 3/16" dia. x 0.50" long	3	—	C	JF1/46
28P/1006943	SP9/C6	Pin, split	6	—	C	

FUSELAGE

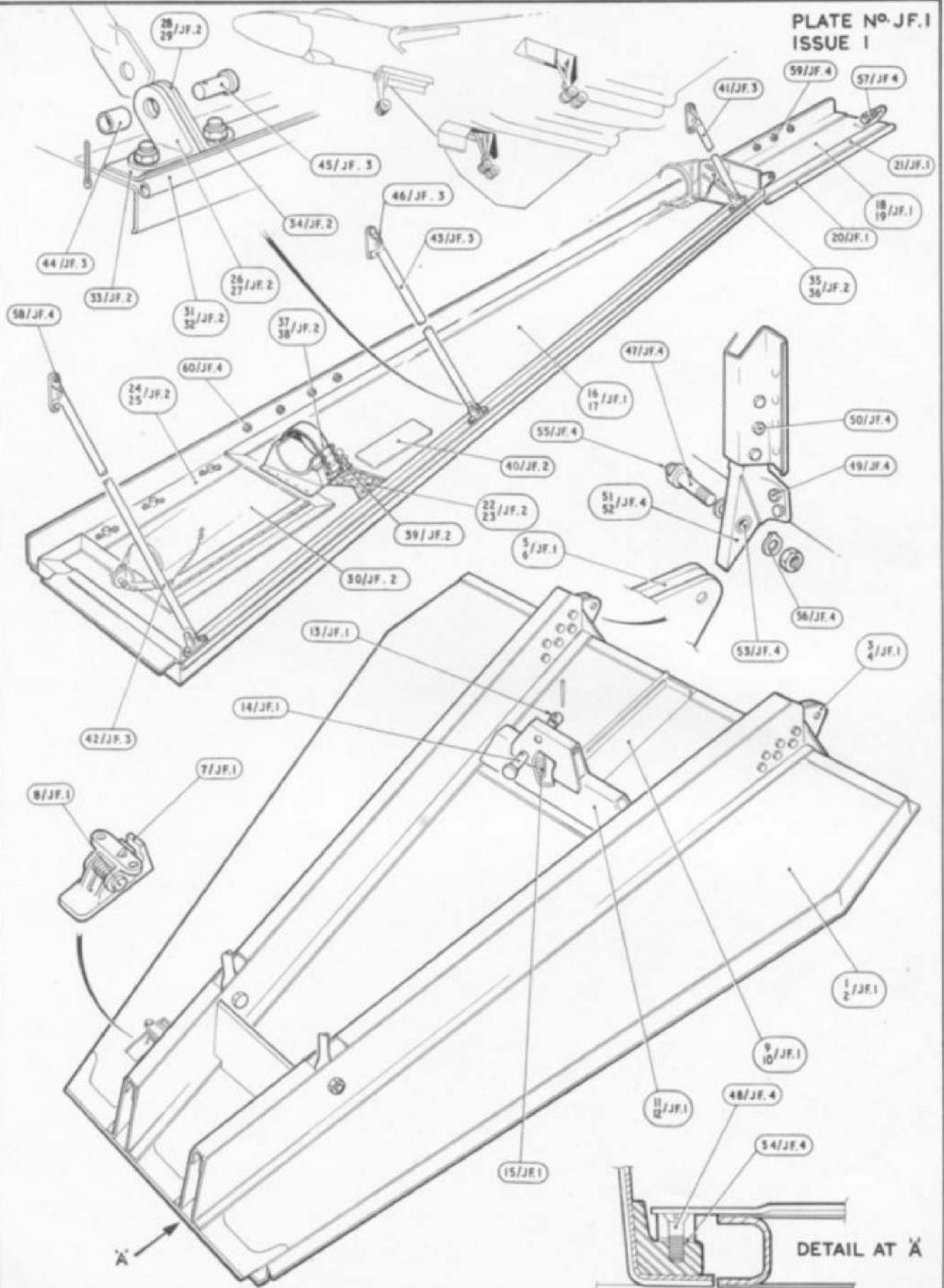
FAIRING, MAIN UNDERCARRIAGE

Ref. No.	Part No.	Description	No. off	Matl. Spec.	Cl. of St.	Plate and Illust'n No.
					M.R.	
		1 2 3 4				
		COMPLEMENTARY ITEMS				
		ATTACHMENT FITTINGS, U/C HINGED FAIRING, PORT AND STARBOARD (10 & 11A3096)				
		Consisting of:—				
	161F9701	Block, distance (Mod. 1200)	2	—		
	14A3071	Bolt, hinge	2	—	MR	JF1/47
28D/1214091	AS1242/2C	Bolt, 2 BA x 2" plain	2	—	C	JF1/48
28D/9133012	A25/3C	Bolt, 2 BA x 3" plain	8	—	C	JF1/49
28D/1011258	A25/8G	Bolt, 5/16" BSF x 8" plain	6	—	C	JF1/50
3520	60F8310	Bracket, hinge arm, on bulkhead	1	—	C	JF1/51
3521	61F8310	Bracket, hinge arm, on bulkhead	1	—	C	JF1/52
	15A3071	Bush, hinge bracket	2	—	MR	JF1/53
	162F9701	Laminations (Mod. 1200)	2	—		JF1/54
28N/9156370	SP21	Nipple, lubricating	2	—	C	JF1/55
28M/1202770	AGS2001/G/1	Nut, stiff 5/16" BSF	2	—	C	
28M/5808571	A27/GS	Nut, slotted 5/16" BSF	6	—	C	
28M/1012015	AGS2001/C1/66	Nut, stiff, 2 BA	2	—	C	
28P/1007741	SP9/C8	Pin, split	2	—	C	
28W/9419402	SP13/C	Washer, 2 BA	8	—	C	
28W/9419403	SP13/G	Washer	8	—	C	
28W/9419502	SP41/J	Washer, lock	2	—	C	JF1/56
		ATTACHMENT FITTINGS U/C REMOVABLE FAIRING, PORT & STARBOARD (8 & 9A3096)				
		Consisting of:—				
28D/9133011	A25/2C	Bolt, hex. hd. 2 BA	1	—	C	JF1/57
28D/9133012	A25/3C	Bolt, hex. hd. 2 BA	6	—	C	JF1/58
28D/7002428	A25/6C	Bolt, hex. hd. 2 BA	4	—	C	JF1/59
28D/1008145	A25/6E	Bolt, 1/4" BSF	27	—	C	JF1/60
28M/1012015	AGS2001/C1/66	Nut, stiff 2 BA	4	—	C	
28M/9480017	AGS2001/E/1	Nut, 1/4" BSF	27	—	C	
28W/9418921	SP13/E	Washer	27	—	C	

VULCAN Mk. 2

**FUSELAGE
FAIRING, MAIN UNDERCARRIAGE
SUMMARY OF STANDARD ITEMS**

Stores Ref.		No. off	Stores Ref.		No. off	Stores Ref.		No. off
Section	Ref. No.		Section	Ref. No.		Section	Ref. No.	
			28M	10288	6	28P	831	3
			28M	10290	27	28P	832	3
			28M	10291	2	28P	17462	1
			28M	13122	6	28P	1006943	6
						28P	1007741	2
28D	8307	2						
28D	1008145	27						
28D	1011258	6						
28D	7002428	4						
28D	9133011	1						
28D	9133012	14						
			28N	5549	6	28W	9418921	27
			28N	10786	3	28W	9419402	8
			28N	9153394	1	28W	9419403	8
			28N	9156370	2	28W	9419502	2
28FP	340	3						
28FP	736	3						
28FP	9432062	1						



FUSELAGE
MAIN UNDERCARRIAGE FAIRINGS

This file was downloaded
from the RTFM Library.

Link: www.scottbouch.com/rtfm

Please see site for usage terms,
and more aircraft documents.

