

VULCAN Mk. 2

FUSELAGE  
REAR PORTION

Page JH. 1

Ref. No.	Part No.	Description	No. off	Matl. Spec.	Cl. of St.	Plate and Illust'n No.
					M.R.	
	1D11106	REAR PORTION ASSEMBLY, COMPLETE . . . . WITH EQUIPMENT Complementary parts, e.g. intercomponents listed at the end of this assembly will not be supplied with the assembly spare, and must be demanded separately when required Spares for:— CONTROLS, FLYING (20R4207) (See Controls, Flying, Rear Portion Fuselage)  COOLING SYSTEM, R.C.M. (1O2111) (See Services—Cooling System, Power Unit and Radar Equipment)  ELECTRICAL SERVICES (V8624) (See Electrical Installation, Rear Portion Fuselage)  GUARD, RUDDER SPRING CONTROL RODS (1Z10362) (Mod. 1102) Spares for:—	1	—		
1432649	7Z10362	Angle, support, for clips . . . . .	1	L72		
1433158	AQ.5SS4234	Clip, half assy. top . . . . .	1	—	C	
	AQ8SS4234	Clip, half assy. bottom . . . . .	1	—	C	
	2Z10362	GUARD, GROUP . . . . .	1	—		JH1/1
	8Z10362	Strut, support, port upper . . . . .	1	—	C	
	9Z10362	Strut, support, port lower . . . . .	1	—	C	
	10Z10362	Strut, support, starboard lower . . . . .	1	—		
	11Z10362	Strut, support, starboard upper . . . . .	1	—		
		INDICATOR, CONTROL SURFACE POSITION (5Z9881) Spares for:— MOUNTING OF TRANSMITTER ON RUDDER (1Z7132) Spares for:—				
	3Z7132	BRACKET, LEVER, GROUP . . . . .	1	—	MR	JH1/2
10120	2Z7132	BRACKET, MOUNTING, GROUP . . . . .	1	—	C	JH1/3
9813	4Z7132	CLIP, RETAINING, GROUP . . . . .	1	—	C	JH1/4
	5Z7132	Lever . . . . .	1	DTD364	MR	JH1/5
	6Z7132	ROD, CONTROL, GROUP . . . . . Consisting of:—	1	—	MR	JH1/6
2516	1SS4091	End, fork . . . . .	2	S96	C	
28M/1006473	A27/CT	Nut, lock, 2 BA . . . . .	2	—	C	
	7Z7132	Rod, screwed . . . . .	1	S1	MR	
6A/4102	SANGAMO WESTON S132	Transmitter . . . . .	1	—	A	JH1/7

FUSELAGE  
REAR PORTION

Ref. No.	Part No.	Description	No. off	Matl. Spec.	Cl. of St.	Plate and Illust'n No.
					M.R.	
		<p>REAR PORTION ASSEMBLY, COMPLETE WITH EQUIPMENT (1D11106) (Cont'd)</p> <p>INSTALLATION, FREON CONDENSOR (1Z9823) (See Services—Cooling System, Power Units and Radar Equipment)</p> <p>INSTALLATION, R.C.M. AFT (200T42S2) (See Radio and Radar Installation)</p> <p>INSTALLATION OF RADIO &amp; RADAR EQUIPMENT IN RUDDER P.F.C. BAY (T8147) (Mod. 2304) (See Radio and Radar Installation)</p> <p>INSTALLATION PLUG BREAK BRACKET IN RUDDER P.F.C. BAY (T8149) (Mod. 2304) (See Radio and Radar Installation)</p> <p>PLATES, BALLAST AND SOCKET (1Z9980) (See Equipment—Special Operational)</p> <p>PRESSURISATION PIPE RUN, R.C.M. COOLING (1Q2117) (See Services—Air Conditioning)</p> <p>PRESSURISATION, RADAR (1Q2110) (See Services—Air Conditioning)</p> <p>RADIO AND RADAR IN REAR PORTION (15T4292) (See Radio and Radar Installation)</p>				

VULCAN Mk. 2

FUSELAGE  
REAR PORTION

Page JH. 3

Ref. No.	Part No.	Description	No. off	Matl. Spec.	Cl. of St.	Plate and Illust'n No.
					M.R.	
		1 2 3 4				
		STRUCTURE, REAR PORTION, WHITE, .....	1	—		
		COMPLETE (1D10702/W)				
		STRUCTURE, REAR PORTION, CAM- .....	1	—		
		OUFLAGED, COMPLETE (1D10702/C)				
		Spares for:—				
	1D10703/W	STRUCTURE, REAR PORTION, WHITE, .....	1	—		
		GROUP				
	1D10703/C	STRUCTURE, REAR PORTION, .....	1	—		
		CAMOUFLAGED, GROUP				
		Spares for:—				
	1D10745	BEAM, CROSS, AT FORMER 22.25", .....	1	—	MR	JH1/12
		GROUP				
		Spares for:—				
13430	11D10745	Bracket, adaptor .....	1	—	C	
	1D10747	BEAM, CROSS, AT FORMER 71.25", .....	1	—	MR	JH1/13
		GROUP				
	1D10748	BEAM, CROSS, AT FORMER 95.75", .....	1	—	MR	JH1/14
		GROUP				
		Spares for:—				
	29D10748	Diaphragm .....	1	—	MR	
	24D10748	Pin, for cable roller .....	1	S92	C	
	21D10748	PLATE, BEARING, FORWARD, .....	1	—	MR	
		GROUP				
	22D10748	PLATE, BEARING, AFT, GROUP .....	1	—		
13894	18D10748	PLATE, HOIST, PULLEY SUPPORT, .....	1	—	MR/C	
		GROUP				
		Spares for:—				
	18bD10748	Boss .....	1	DTD423B		
	53Z9316	Roller, cable .....	1	S82	MR	JH6/15
	25D10748	Tube, guide, assy. ....	1	—		
		BEAM, PARACHUTE DRAG (1D10714)				
		Spares for:—				
	3D10714	BEAM, PORT, GROUP .....	1	—	MR	
	4D10714	BEAM, STARBOARD, GROUP .....	1	—	MR	
	3jD10714	Boom, bottom .....	1	—	MR	
	4jD10714	Boom, bottom .....	1	—	MR	
22256	3kD10714	Plate, side .....	1	—	C	
22257	4kD10714	Plate, side .....	1	—	C	
	3mD10714	Plate, support .....	1	—	MR	
	4mD10714	Plate, support .....	1	—	MR	
7832	40D10714	Block, hook retaining .....	1	S97	C	JH1/16
11807	91D10714	Bolt, special (Mod. 1156) .....	1	S97	C	JH1/17
10124	92D10714	Bolt, special (Mod. 1156) .....	1	S97	C	JH1/18
9539	77D10714	BOX, BUFFER AND BLOCK, GROUP .....	1	—	C	JH1/19
	3D13151	Bush (Mod. 1898) .....	1	S94	MR	JH1/20
7838	22D10714	Washer, under bolt head (91D10714) .....	1	L65	C	JH1/21
7839	23D10714	Washer, for bolt (91D10714) .....	1	L65	C	JH1/22
7850	28D10714	Washer, for bolt (92D10714) .....	1	L65	C	JH1/23
7849	30D10714	Washer, under bolt head (92D10714) .....	1	L65	C	JH1/24

FUSELAGE  
REAR PORTION

Ref. No.	Part No.	Description	No. off	Matl. Spec.	Cl. of St.	Plate and Illust'n No.
					M.R.	
		1 2 3 4				
		STRUCTURE, REAR PORTION (1D10703) (Cont'd.)				
	1D10757	BEAM, RUDDER POWER UNIT .....	1	—	MR	JH1/25
		SUPPORT, GROUP Spares for:—				
	9D9122	BLOCK, HINGE, GROUP .....	2	—	MR	JH1/26
		Consisting of:—				
1743	9aD9122	Block .....	2	DTD364B		
	9bD9122	Bush .....	2	DTD197	C	
	22D9122	Bolt, eye .....	2	S96	MR	JH1/27
	24D9122	Bolt, for hinge bracket .....	2	S96	MR	JH1/28
13151	2D9772	Bracket, centre strut attachment .....	1	DTD364B	MR	JH1/29
	8D9122	Bracket, hinge .....	1	DTD364B	C	JH1/30
	1D13975	BRACKET, STOP, PORT, GROUP .....	1	—		
		(Mod. 2304)				
	2D13975	BRACKET, STOP, STARBOARD, .....	1	—		
		GROUP (Mod. 2304)				
9555	14D9772	Tube, distance .....	2	DTD423	C	JH1/32
	29F7761	Washer, for bolt (24D9122) .....	2	—	MR	JH1/33
		COOLING, PIPING, FOR SCANNER (Z9320) (See Services—Cooling System, Power Units and Radar Equipment)				
	313D10703	Bolt, special (Mod. 1868) .....	1	—	MR	JH1/34
		(Make from A59/13N)				
	314D10703	Bolt, special (Mod. 1868) .....	1	—	MR	JH1/35
		(Make from A59/12N)				
		COOLING, RUDDER POWER UNITS (Z9330) (See Services—Cooling System, Power Units and Radar Equipment)				

VULCAN Mk. 2

FUSELAGE  
REAR PORTION

Page JH. 4A

Ref. No.	Part No.	Description	No. off	Matl. Spec.	Cl. of St.	Plate and Illust'n No.
					M.R.	
		1 2 3 4				
		STRUCTURE, REAR PORTION (1D10703) (Cont'd.)				
1433003	35D12923	DOOR, ACCESS, FORWARD, GROUP ..... (Mod. 2024) (Pre-Mod. 2369 S.O.O.)	1	—	B	JH1/36
	1D14273	DOOR, ACCESS, FORWARD, GROUP ..... (Mod. 2369 S.O.O.)	1	—		
1510782	1D14272	DOOR, ACCESS, FORWARD, GROUP ..... (Mod. 2369 S.O.O.)	1	—	B	
7863	1D10760	DOOR, ACCESS, CENTRE, GROUP .....	1	—	B	JH1/37
7864	1D10761	DOOR, ACCESS, AFT, GROUP .....	1	—	B	JH1/38
		Spares for:—				
	7D10759	Angle, aft landing forward door .....	1	L72	MR	JH1/39
	29D10759	Bolt, eye, forward and aft door .....	1	L65	MR	JH1/40
	106D10759	Bush, at hinge channels, forward and centre doors	4	BS369	MR	JH1/41
	10bD10761	Bush, at hinge channels, aft door .....	4	BS369		JH1/42
	60D10759	Bracket, attachment .....	1	L72	MR	
	40D10759	CHANNEL, FORWARD HINGE, .....	1	—		
		FORWARD DOOR, GROUP				
	41D10759	CHANNEL, AFT HINGE, FORWARD .....	1	—		
		DOOR, GROUP				
	40D10760	CHANNEL, FORWARD HINGE, .....	1	—		
		CENTRE DOOR, GROUP				
	41D10760	CHANNEL, AFT HINGE, CENTRE .....	1	—	MR	
		DOOR, GROUP				
		Spares for:—				
	13D10760	Channel .....	1	L72	MR	
	40D10761	CHANNEL, FORWARD HINGE, AFT .....	1	—	MR	
		DOOR, GROUP				



VULCAN MR. 2

FUSELAGE  
REAR PORTION

Page JH. 5

Ref. No.	Part No.	Description	No. off	Mati. Spec.	Cl. of St.	Plate and Illust'n No.
					M.R.	
		1 2 3 4				
		DOOR, ACCESS, FORWARD CENTRE AFT (35D12923) (1D10760) (1D10761) (Cont'd.)				
	41D10761	CHANNEL, AFT HINGE, AFT DOOR, .... GROUP	1	—		
	13D10761	Channel .....	1	L72	MR	
28E/9513854	AS2294/8 TERRY	Spares for:— Clip, spring, forward and aft .....	1	—	C	JH1/43
28E/9128839 26FP/9874	257 10SS4327 54D10759 65D10760 53D10761 KING A/C C8925	Clip, forward door .....	3	—	C	JH1/44
	42D10760	Ferrule, forward and doors .....	2	—	C	
	54D10759	Guard, cable, forward door .....	1	L72		
	65D10760	Guard, cable, centre door .....	1	L72		
	53D10761	Guard, cable, aft, door .....	1	L72		
	42D10760	Housing, fastener .....	3	—	C	JH1/45
	45D10761	Insert, cast, centre door .....	1	DTD711 L125		
	55D10761	Insert, tufnol .....	2	BS2572	MR	
1432785	16D12923	FAIRING ASSEMBLY, REMOVABLE .... (Mod. 2024)	1	—	B	
	16dD12923	Spares for:— Seal, rubber, 10-1/2" long .....	2	—		
	16fD12923	(Make from Ref. No. 1432786) Seal, rubber, 13" long .....	1	—		
1432786	16hD12923	(Make from Ref. No. 1432786) Seal, rubber, 19-1/2" long .....	1	—	C	
	2D14272	FAIRING, ASSEMBLY .....	1	—		
	39D10759	(Mod. 2369 S.O.O.) LANYARD, FORWARD DOOR, .....	1	—		JH1/46
	13D14272	GROUP (Mod. 2024) LANYARD, FORWARD DOOR, GROUP (Mod. 2369 S.O.O.)	2	—		JH1/46A
	45D10759	Member, ring .....	1	L72	MR	
	28D10759	Mounting, eye bolt, forward and rear .. doors	1	L65	MR	JH1/47
	42D10759	PANEL, ACCESS, FORWARD DOOR, ... GROUP	1	—	MR	JH1/48
28FP/9539060	F4/30	Spares for:— Fastener, dzus .....	4	—	C	
	31D12923	PANEL, ASSEMBLY (Mod. 2024 and ... Mod. 2369 S.O.O.)	2	—		JH1/48A

FUSELAGE  
REAR PORTION

Ref. No.	Part No.	Description	No. off	Matl. Spec.	Cl. of St.	Plate and Illust'n No.
					M.R.	
		1 2 3 4				
		DOOR, ACCESS, FORWARD, CENTRE, AFT (35D12923) (1D10760) (1D10761) (Cont'd.)				
	34D10761	PIN, QUICK RELEASE, FOR STRUT ..... AFT DOOR, GROUP Spares for:—	1	—	MR	JH1/49
	Z405/12	Pin, pip .....	1	—	C	
	50D10760	PIN, QUICK RELEASE, FOR STRUT ..... CENTRE DOOR, GROUP Spares for:—	2	—		JH1/50
28FP/4062322	A416	Pin, pip .....	1	—	C	
1432784	15D12923	RADOME ASSEMBLY, FORWARD ..... ACCESS DOOR (Mod. 2024) (Mod 2369 S.O.O.)	1	—		
28FP/9455495	S4/250	Spring, dzus .....	4	—	C	
	25D10759	Strip, landing, forward door .....	1	L72	MR	
	19D10760	Strip, landing, centre door .....	1	L72	MR	
	19D10759	STRUT, SUPPORT, FORWARD DOOR, GROUP	1	—	MR	JH1/51
	21D10761	STRUT, SUPPORT, AFT DOOR, ..... GROUP	1	—	MR	JH1/52
10364	43D10759	Support, pressing .....	1	L72	MR	
	24D10759	Washer, special, at support strut, forward door	1	L72	C	JH1/53
	20D10761	Washer, special, at support strut, aft door	1	L72	MR	JH1/54
	58D10759	Window, at forward door .....	1	DTD5545		JH1/55
		DOOR AND CONTAINER, BRAKE PARACHUTE (1D10752) Spares for:—				
	3D11939	BUFFER STOP .....	1	—	MR	
	113D10752	CONTAINER ASSEMBLY, GROUP ..... Spares for:—	1	—		JH2/56
	17D10752	Adaptor, drain assy .....	1	—		
	59D10752	Angle, 10G x 1.45" x 12.5" .....	1	L72	MR	
	60D10752	Angle, 20G x 1.45" x 12.5" .....	1	L72	MR	
8381	100D10752	Bolt, hinge .....	2	S92	C	JH2/57
	121D10752	Bracket .....	—	—	MR	
22291	122D10752	Bracket .....	—	—	C	
13392	88D10752	Bracket, parachute strap .....	1	—	C	JH2/58
	99D10752	BRACKET, PIVOT, GROUP .....	1	—		
	23D10752	Channel, drain .....	1	—		
	61D10752	Cleat .....	1	L72	MR	
	63D10752	Cleat .....	1	L72	MR	
	65D10752	Cleat .....	1	L72	MR	
	66D10752	Cleat .....	1	L72	MR	
	75D10752	Cleat .....	1	L72	MR	
	76D10752	Cleat .....	1	L72	MR	
	127D10752	Cleat .....	1	L72	MR	
	128D10752	Cleat .....	1	L72	MR	

VULCAN Mk. 2

FUSELAGE  
REAR PORTION

Page JH. 7

Ref. No.	Part No.	Description	No. off	Matl. Spec.	Cl. of	Plate and Illust'n No.
					St. M.R.	
		1 2 3 4				
		CONTAINER ASSEMBLY (113D10752) (Cont'd)				
	7D10752	Diaphragm .....	1	L72	MR	
	8D10752	Diaphragm .....	1	L72	MR	
	11D10752	Diaphragm .....	1	L72	MR	
	12D10752	Diaphragm .....	1	L72	MR	
	21D10752	Diaphragm .....	1	L72	MR	
	93D10752	Diaphragm .....	1	L72	MR	
	94D10752	Diaphragm .....	1	L72	MR	
	167D10752	Diaphragm .....	1	L72	MR	
	47D10752	Diaphragm .....	1	L72	MR	
	48D10752	Diaphragm .....	1	L72	MR	
	49D10752	Diaphragm .....	1	L72	MR	
	50D10752	DIAPHRAGM, GROUP .....	1	--	MR	JH2/59
	51D10752	DIAPHRAGM, GROUP .....	1	--	MR	JH2/60
	52D10752	DIAPHRAGM, GROUP .....	1	--	MR	JH2/61
12135	86D11939	Cover (Pre Mod. 1837) .....	1	--	C	
		DRAINAGE, WEATHERPROOF, AT FORMERS 71.25" - 120.25" (1D10777)				
		Spares for:-				
1510403	192D10734	BRACKET, STOWAGE, GROUP ... (Mod. 2240)	1	--	C	JH3/62
	191D10734	BRACKET, HOIST ADAPTOR .... GROUP (Mod. 2240)		--		JH3/64
		Spares for:-				
1510404	191aD10734	Bracket .....	1	DTD5020	C	JH3/64A
	54Z9316	Collar .....	2	--	MR	JH3/64B
	191bD1073X	Cord, retaining .....	1	--		JH3/64C
	616SS6065	Label .....	1	--		JH3/64D
	52Z9316	Pin .....	1	--	MR	JH3/64E
	AS2434/27	Pin, drop nose .....	1	--		JH3/64F
	AS2434/33	Pin, drop nose .....	1	--		JH3/64G
	53Z9316	Roller, cable .....	1	--	MR	JH3/64H
28E/1983164	SP91/E	Clip, hose .....	18	--	V	JH3/63
26FP/13420	10SS3859	Clip, pipe .....	1	--	C	JH3/65
26FP/13421	14SS3859	Clip, pipe .....	4	--	C	JH3/66
	17D10777	Hose, rubber, 3/4" i/d x 1-3/4" .....	4	3F45/Type 1		JH3/68
	6D10777	Hose, rubber, 1" i/d x 1-3/4" .....	3	3F45/Type 1		JH3/69
	7D10777	Hose, rubber, 1" i/d x 2-1/2" .....	2	3F45/Type 1		JH3/70
	2D10777	Pipe, drain, top former 71.25" .....	1	--	MR	JH3/71
10378	3D10777	Pipe, drain, centre, former 71.25" ..	1	--	C	JH3/72
10379	4D10777	Pipe, drain, bottom, former 72.25" ..	1	--	C	JH3/73
	13D10777	Pipe, drain, top, former 120.25" ...	1	--	MR	JH3/74

FUSELAGE  
REAR PORTION

Ref. No.	Part No.	Description	No. off	Matl. Spec.	Cl. of St.	Plate and Illust'n No.
					M.R.	
		1 2 3 4				
		DRAINAGE, WEATHERPROOF, AT FORMERS 71.25"-120.25" (1D10777) (Cont'd.)				
10381	14D10777	Pipe, drain, centre, former, 120.25"	1	—	C	JH3/75
10382	15D10777	Pipe, drain, bottom former, ..... 120.25"	1	—	C	JH3/76
	176D10752	Lining, rubber .....	1	CS3092A	MR	JH3/78
	177D10752	Lining, rubber .....	2	CS3092A	MR	JH3/79
	8D11939	Panel, plywood (Pre-Mod. 1837) .....	1	—	MR	
	8aD11939	Panel (Mod. 1837) .....	1	—	MR	
13703	17D11939	Panel, plywood (Mod. 1837) .....	1	—	C	
	9Q2114	PIN, QUICK RELEASE, GROUP .....	1	—		
28FP/9469299	AGS2105/409	Spares for:— Pin, pip .....	1	—	C	
	129D10752	Plate .....	—		MR	
	130D10752	Plate .....	—		MR	
	164D10752	Plate .....	—		MR	
	165D10752	Plate .....	—		MR	
	172D10752	Plate .....	—		MR	
	173D10752	Plate .....	—		MR	
10236	2D11939	SHOCK ABSORBER .....	1	—		
		STRUCTURE, R.C.M. UNIT HOIST ..... (77, 78 & 78D10749) Spares for:—				
	2D10749	Block, spigot .....	1	L65		
	132D10749	Panel, access, forward port .....	1	L72		
	134D10749	Panel, access, forward starboard .....	1	L72		
	135D10749	Panel, access, aft .....	1	L72		
	5D10752	Wall, outer .....	—		MR	
	6D10752	Wall, outer .....	—		MR	
	115D10752	Wall, inner .....	—		MR	
	116D10752	Wall, inner .....	—		MR	
	1D10775/W	DOOR, BRAKE PARACHUTE ..... CONTAINER, WHITE, GROUP (Pre-Mod. 2213)	1	—		JH2/80
	1D10775/P	DOOR, BRAKE PARACHUTE ..... CONTAINER, PRIMERED, GROUP (Pre-Mod. 2213)	1	—		JH2/80A
	1D10775/EP	DOOR, BRAKE PARACHUTE ..... CONTAINER, POLYURATHANE FINISH, GROUP (Mod. 2129)	1	—		
1510280	83D10775/P	DOOR, BRAKE PARACHUTE ..... CONTAINER, PRIMERED, GROUP (Mod. 2240)	1	—	A	
9285	59D10775	Spares for:— ARM, HINGE, PORT, GROUP .....	1	—	C	JH2/81



FUSELAGE  
REAR PORTION

Ref. No.	Part No.	Description	No. off	Matl. Spec.	Cl. of	Plate and Illust'n No.
					St. M.R.	
		1 2 3 4				
<b>MECHANISM, BRAKE PARACHUTE DOOR (1D10773) (Cont'd)</b>						
	2D 10773	Bolt, adjuster .....	1	S92		JH2/104
8388	14D 10773	Bolt, lever to bracket .....	4	S92		JH2/105
	19D 10773	Bolt, lever to spring box .....	2	S92	C	JH2/106
8389	22D 10773	Bolt, lever to door .....	2	—	C	JH2/107
		(Make from A59/9G)				
10388	12SS4663	Bolt, actuator arm and hook .....	1	—	C	JH2/108
10389	13SS4663	Bolt, actuator arm and lever .....	1	—	C	JH2/109
11213	25D 10774	<b>BOX, SPRING, GROUP (Mod. 1348) .</b>	2	—	A	JH2/110
		Spares for:—				
8386	8D 10774	Bush, bearing, fork-end .....	2	BS369	C	JH2/111
	21D 10774	Bush .....	1	BS369	MR	JH2/112
	2D 10774	End, fork, 2.1" long .....	1	DTD410		JH2/113
10391	11D 10774	End, fork, 3.4" long .....	1	DTD410	C	JD2/114
10393	18D 10774	Piston .....	1	S96	C	JH2/115
8385	6D 10774	Spring .....	1	DTD5A	C	JH2/116
		TERRY				
26TA/60126	1383/8	Washer, belleville .....	16	—	C	
	7D 10773	Bracket .....	—		MR	
	8D 10773	Bracket .....	—		MR	
	15D 10773	Bracket .....	—		MR	
	16D 10773	Bracket .....	—		MR	
	32D 10773	<b>BRACKET, MOUNTING, MICRO- SWITCH, GROUP</b> .....	3	—	MR	JH2/117
	99D 10752	<b>BRACKET, PIVOT, GROUP</b> .....	1	—		JH2/118
28N/1045680	BE/15SS4335	Clip, half, spring actuator .....	2	—		
	AGS899/2	Collar, pin .....	4	—	C	
8390	31D 10773	<b>HOOK, DOOR RELEASE, GROUP .</b>	1	—	B	JH2/119
		Consisting of:—				
	6D 10773	Hook .....	1	L65	MR	
	R & M					
	BRA 1/4 B	Race, ball .....	2	—		
8383	1D 10779	<b>LEVER, LOWER, GROUP</b> .....	2	—	C	JH2/120
		Spares for:—				
8386	8D 10774	Bush .....	4	BS369	C	
	7D 10774	Tube, assy. ....	1	—		
	1D 11423	<b>LEVER, UPPER, GROUP</b> .....	2	—	MR	JH2/121
		Spares for:—				
10394	ROSE BROS.	Bearing, rod end .....	1	—	C	JH2/122
8386	RFX/5G	Bush .....	1	BS369	C	
28M/1011470	A27/GT	Nut, lock (Pre-Mod. 2213) .....	1	—	C	
	4D 11423	Tube, assy. ....	1	—		

FUSELAGE  
REAR PORTION

Ref. No.	Part No.	Description				No. off	Matl. Spec.	Cl. of St.	Plate and Illust'n No.
		1	2	3	4			M.R.	
		MECHANISM, BRAKE PARACHUTE DOOR (1D10173) (Cont'd)							
8393	30D10773	LEVER, BETWEEN ACTUATORS, . . . GROUP				1	—	B	JH2/123
		Spares for:—							
	R & M BRA 1/4 B TECALEMIT	Race, ball . . . . .				1	—		
26FP/14665	NB5951 TECALEMIT	Nipple, at bolt (19D10773) . . . . .				2	—	C	
10395	NC6059	Nipple, at bolt (14D10773) . . . . .				4	—	C	
28P/5808574	SP113/C5	Pin, solid . . . . .				2	—	C	
28P/17924	SP113/C6	Pin, solid . . . . .				2	—	C	
22278	10D10773	Plate . . . . .				—	—	C	
22289	13D10773	Plate . . . . .				—	—	C	
22286	17D10773	Plate . . . . .				—	—	C	
22281	18D10773	Plate . . . . .				—	—	C	
22282	25D10773	Plate . . . . .				—	—	C	
22290	26D10773	Plate . . . . .				—	—	C	
10390	1D11451	SPRING, ACTUATOR, GROUP . . . . .				2	—	C	JH2/103
		Spares for:—							
	5D11451	Plunger, assy. . . . .				1	—		
	6D11451	Spring . . . . .				1	DTD5A		
	7D11451	Washer, rubber . . . . .				1	—		
5CW/6865	HONEYWELL 1EN/N14	Switch, micro . . . . .				3	—	A	JH2/124
	34D10773	SWITCH, GROUP . . . . .				1	—		JH2/125
		Consisting of:—							
	12SS4491	Plate, upper shroud . . . . .				1	—		
28S/1013430	A44/B20 ROTAX	Screw . . . . .				4	—	C	
5CW/6589	N135530	Shroud, upper . . . . .				1	—	C	
	13SS4492	Shroud, lower . . . . .				1	—		
5CW/1047697	—	Switch . . . . .				1	—	B	
		DRAINAGE, WEATHERPROOF, IN . . . . . RUDDER COMPARTMENT (Z9323)							
		Spares for:—							
28E/20104	SP91/F	Clip, hose . . . . .				4	—	C	JH3/126
26FP/13421	14SS3859	Clip, pipe . . . . .				2	—	C	JH3/127
	7Z9323	Pipe, joint, 1" i/d x 2-1/2" long . . . . .				2	3F45/Type 1		JH3/128
10433	10Z9323	Pipe, drain, 24G x 1" o/d x 5' 6" . . . . .				1	L54	C	JH3/129
	8Z9323	Pipe, stub . . . . .				1	—		JH3/130
95389	1Z9324	TRAY, DRIP, BOTTOM, GROUP . . . . .				1	—		JH3/131
	13Z9325	TRAY, DRIP, TOP, GROUP . . . . . (Mod. 2304)				1	—	C	JH3/132
		Spares for:—							
	AS.1248/ 1/2C	Bolt, mush. hd. . . . .				12	—		
	AGS.200/C1	Nut, anchor . . . . .				12	—		
	2Z12649	Panel, access . . . . .				1	—		

FUSELAGE  
REAR PORTION

Ref. No.	Part No.	Description	No. off	Matl. Spec.	Cl. of	Plate and Illust'n No.
					St. M.R.	
		1 2 3 4				
		TRAY, DRIP, ADDITIONAL DRAINAGE, PORT AND STARBOARD (1 & 2Z10525) (Mod. 1399)				
		Spares for:—				
28E/10154	AGS605/00	Clip, hose .....	2	—	C	JH3/133
28E/1006378	AS3181/8C	Clip, pipe .....	1	—	C	JH3/134
11827	6Z10525	Pipe, drain, 22G x 1/2" o/d x 18" port	1	L54	C	JH3/135
11826	5Z10525	Pipe, drain, 22G x 1/2" o/d x 18" .....	1	L54	C	JH3/136
		starboard				
	7Z10525	Pipe, joint, 1/2" i/d x 2" long .....	1	3F45/Type 1		JH3/137
11824	3Z10525	TRAY, DRIP, PORT, GROUP .....	1	—	C	JH3/138
11825	4Z10525	TRAY, DRIP, STARBOARD, GROUP	1	—	C	JH3/139
		DRAINAGE, RUDDER, UPPER-FAIRING (1Z9327) (Mod. 1095)				
		Spares for:—				
28E/20347	SP91/E	Clip, hose .....	4	—	C	JH3/140
28E/14211	AS5418/12	Clip, pipe .....	2	—	C	JH3/141
13422	5Z9327	Pipe, drain, upper .....	1	—	C	JH3/142
12425	8Z9327	Pipe, drain, 24G x 3/4" o/d x 20" .....	1	L54	C	JH3/143
17684	3Z9327	Pipe, joint, 3/4" i/d x 1-3/4" long .....	2	3F45/Type 1	C	JH3/144
	12Z9327	TRAY, DRIP, GROUP .....	1	—		JH3/145
13818	14Z9327	WATERSHED, PORT, GROUP .....	1	—		JH3/146
13817	13Z9327	WATERSHED, STARBOARD, GROUP .	1	—		JH3/147
8395	1D10776	FAIRING, PARACHUTE HOOK, GROUP .	1	—	B	JH2/148
		Spares for:—				
10595	6D10776	Angle, door landing .....	1	L72	C	JH2/149
10596	45D10776	Angle, door landing .....	2	L72	C	JH2/150
10945	5D10776	CHANNEL, DRAIN, GROUP .....	1	—	C	JH2/151
	8D10776	Flange, pivot bearing .....	4	L65		
10820	54D10776	FRAME, PANEL, GROUP .....	1	—	C	JH2/152
		Spares for:—				
28FP/9455495	54bD10776	Seal, 1/16" x 8" x 13" .....	1	Neoprene		
	S4/250	Spring, dzus .....	9	—	C	
9980	56D10776/W	PANEL, ACCESS, WHITE, GROUP ....	1	—	B	JH2/153
13330	56D10776/C	PANEL, ACCESS, CAMOUFLAGED, ... GROUP (Mod. 1877)	1	—	B	JH2/153A
1433350	56D10776/PC	PANEL, ACCESS, POLYURETHANE .. FINISH (Mod. 2129)	1	—	B	
		Spares for:—				
28FP/73	F4/35	Fastener, dzus .....	9	—	C	
28FP/9483371	GF4/150	Grommet, dzus .....	9	—	C	

FUSELAGE  
REAR PORTION

Ref. No.	Part No.	Description	No. off	Mati. Spec.	Cl. of	Plate and Illust'n No.
					St. M.R.	
		1 2 3 4				
		FAIRING, PARACHUTE HOOK (1D10776) (Cont'd)				
1433347	2D10776/W	Panel, skin, outer .....	1	L72	MR	JH2/154
	2D10776/C	Panel, skin, outer, camouflaged .....	1	L72		JH2/154A
	2D10776/PC	Panel, skin, outer, polyurathane finish ... (Mod. 2129)	1	L72	C	
10946	51D10776	Stiffener .....	1	—	C	
	1D10735	FAIRING, FILLET, BETWEEN CENTRE PORTION AND TRAILING EDGE, PORT, GROUP	1	—		JH5/155
	2D10735	FAIRING, FILLET, BETWEEN CENTRE PORTION AND TRAILING EDGE,	1	—		JH5/156
		STARBOARD, GROUP Spares for:—				
	51D10735	Fillet .....	1	—	MR	
	29D10735	Skin .....	1	—	MR	
	30D10735	Skin .....	1	—	MR	
		TUBE, GUIDE, FOR FLYING CONTROL, PORT (1D18768) AND STARBOARD (1D10771) Spares for:—				
	2D9457	Tube, guide, port .....	1	L72		JH1/157
	2D9458	Tube, guide, starboard .....	1	DTD464A		JH1/158
	KING A/C D8940	Fastener, lever and attachment .....	9	—	MR	JH1/159
		FORMER, 22.25" PORT AND STAR- BOARD (1 & 2D10726) Spares for:—				
	9D10726	Angle, port .....	1	L72	MR	JH4/160
	10D10726	Angle, starboard .....	1	L72	MR	JH4/161
	5D10726	Boom, outer, port .....	1	L65	MR	JH4/162
	6D10726	Boom, outer, starboard .....	1	L65	MR	JH4/163
		FORMER, 46.75" PORT AND STAR- BOARD (1 & 2D10727) Spares for:—				
	3D10727	Boom, outer, port .....	1	L65	MR	JH4/164
	4D10727	Boom, outer, starboard .....	1	L65	MR	JH4/165
		FORMER, 71.25", PORT AND STAR- BOARD (1D10728) Spares for:—				
	3D10728	Boom, outer, port .....	1	L65	MR	JH4/166
	4D10728	Boom, outer, starboard .....	1	L65	MR	JH4/167
	21D10728	SHROUD, CABLE, GROUP .....	1	—	MR	JH4/168
		Spares for:—				
	21aD10728	Cover .....	1	L72		
	21bD10728	Guide, cable .....	1	Tufnol		

FUSELAGE  
REAR PORTION

Ref. No.	Part No.	Description	No. off	Mati. Spec.	Cl. of St.	Plate and illust'n No.
					M.R.	
		1 2 3 4				
		FORMER, 71.25", PORT AND STARBOARD (1D10728) (Cont'd.)				
	22D10728	SHROUD, CABLE, GROUP .....	1	—	MR	JH4/169
	22aD10728	Spares for:— Cover .....	1	L72		
	22bD10728	Guide, cable .....	1	Tufnol		
		FORMER, 95.75" (1D10742)				
		Spares for:—				
	7D10742	Angle, beam .....	1	L72	MR	
	9D10742	Angle, centre, aft .....	1	L72	MR	
	10D10742	Angle, centre, forward .....	1	L72	MR	
	19D10742	ANGLE, R.C.M. SUPPORT, PORT, GROUP .....	1	—	MR	JH4/170
	20D10742	ANGLE, R.C.M. SUPPORT, STARBOARD, GROUP .....	1	—	MR	JH4/171
		FORMER, 120.25" (1D10743)				
		Spares for:—				
	10D10743	Angle, lipped, bottom .....	1	L72	MR	
	13D10743	Angle, door landing .....	1	L72	MR	JH4/172
13409	7D10743	Bracket .....	1	L72	C	JH4/173
28FP/340	S5/300	Spring, dzus .....	5	—	C	
12330	1D10744	FORMER, 141.5", GROUP .....	1	—	C	JH4/174
		Spares for:—				
	10D10744	BRACKET, GROUP .....	4	—	MR	
	11D10744	Former, bottom .....	1	L72	MR	
		FORMER, 162.2" (1D10720)				
		Spares for:—				
	3D10720	Bush .....	4	DTD130	MR	JH4/175
	2D10720	Former .....	1	L72	MR	JH4/176
		FORMER, 428A", TRANSPORT JOINT (1D10736)				
		Spares for:—				
	5D10736	Former, bottom, port .....	1	L65	MR	JH4/177
	6D10736	Former, bottom, starboard .....	1	L65	MR	JH4/178
	9D10736	Strap, joint, bottom, port .....	1	L73	MR	
	10D10736	Strap, joint, bottom, starboard .....	1	L72	MR	
		FORMER, 442.5" (1D10737)				
		Spares for:—				
	7D10737	Former, lower, port .....	1	L72	MR	JH4/179
	8D10737	Former, lower, starboard .....	1	L72	MR	JH4/180
	20D10737	BRACKET, GROUP .....	1	—	MR	

VULCAN Mk. 2

FUSELAGE  
REAR PORTION

Page JH. 15

Ref. No.	Part No.	Description	No. off	Matl. Spec.	Cl. of St.	Plate and Illust'n No.
					M.R.	
		1 2 3 4				
		STRUCTURE, REAR PORTION (1D10703) (Cont'd.)				
		FORMER, 461.5" (1D10738) Spares for:—				
	5D10738	Former, lower, port .....	1	L72	MR	JH4/181
	6D10738	Former, lower, starboard .....	1	L72	MR	JH4/182
		FORMER, 472.5" (1D10739) Spares for:—				
	12D10739	Channel, joint .....	1	L72	MR	
	5D10739	Former, lower, port .....	1	L72	MR	JH4/183
	6D10739	Former, lower, starboard .....	1	L72	MR	JH4/184
		FORMER, 487.5" (1D10740) Spares for:—				
	9D10740	Angle, bottom, inner boom .....	1	L65		JH4/185
	10D10740	Angle, bottom, inner boom .....	1	L65		JH4/186
22255	87D10740	BLOCK, SIGHTING ROD PIVOT, .....	1	—	C	JH4/187
		GROUP (Mod. 1657) Spares for:—				
	93D10740	BLOCK, GROUP .....	1	—		
13063	269dD8618	Knob .....	1	—	C	
28P/9451803	SP28/E6	Pin, taper .....	1	—	C	
	269bD8618	Spigot .....	1	—	MR	
	178SS4700	Spring .....	1	—	C	
	92D10740	BRACKET, TOP HAT, GROUP .....	1	—		
	71D10740	Dishing, plug break .....	1	L72		
	61D10740	PIN, QUICK RELEASE, GROUP .....	1	—		JH5/188
	Z405/10	Spares for:— Pin, pip .....	1	—		
		HOIST FOR RADIO TRANSMITTER (D12924) (Mod. 2024) Spares for:—				
	12D12924	Bracket, suspension .....	1	—		
	13D12924	Bracket, suspension .....	1	—		
	2D12924	Boss, pulley .....	2	—		
	2SS4879	Pulley .....	1	—		
		INTAKE, AIR, R.C.M. COOLING (1D11141) Spares for:—				
	69D11141	Conduit, station 7.5" to 2.38", .....	1	L56		JH5/189
		starboard Attachments—Conduit (69D11141)				
28D/9436920	A25/1C	Bolt, 2 BA .....	2	—	C	
28E/1006378	AS3181/8C	Clip, pipe .....	2	—	C	JH5/190
5K/9504964	SP40/B16	Grommet, rubber .....	1	DTD560	C	JH5/191
28M/1012015	AGS2001/C1/66	Nut .....	2	—	C	
28W/9419475	SP15/C	Washer .....	2	—	C	

FUSELAGE  
REAR PORTION

Ref. No.	Part No.	Description	No. off	Matl. Spec.	Cl. of St.	Plate and Illust'n No.
					M.R.	
		1 2 3 4				
		INTAKE, AIR, R.C.M. COOLING (1D11141) (Cont'd.)				
	78D11141/W	COVER, CENTRE, WHITE, GROUP .....	1	—	MR	JH5/192
	78D11141/C	COVER, CENTRE, CAMOUFLAGED, .... GROUP (Mod. 1877)	1	—		JH5/192A
28FP/9430916	78bD11141 S4/200	Spares for:— Seal, neoprene .....	1	BS2752/C2		
		Spring, dzus .....	3	—	C	
22249	63D11141	INTAKE, AIR, FRONT PORTION, .....	1	—	C	
		GROUP Spares for:—				
	61D11141	COVER, FORWARD, GROUP .....	1	—		JH5/193
11990	59D11141	FORMER, FIBREGLASS, GROUP .....	1	—	C	JH5/194
22250	25D11141	Seal, rubber (Make from 1SS4296 ... x 37" long)	1	DTD552	C	
	21D11141	Strip, seal retaining, 24G x 0.5" x 8" . long)	1	L72		
	22D11141	Strip, seal retaining, 24G x 0.5" x .... 10-1/2" long	1	L72		
	23D11141	Strip, seal retaining, 24G x 0.5" x 8" . long	1	L72		
	24D11141	Strip, seal retaining, 24G x 0.5" x .... 10-1/2" long	1	L72		
22252	67D11141	INTAKE, AIR, AFT PORTION, .....	1	—	C	
		GROUP Spares for:—				
	64D11141	COVER, AFT, GROUP .....	1	—		JH5/195
	66D11141	FORMER, FIBREGLASS, GROUP .....	1	—		JH5/196
22253	45D11141	Seal, rubber (Make from 1SS4296 ... x 35" long)	1	DTD552	C	
	41D11141	Strip, seal retaining, 24G x 0.5" x .... 7-1/2" long	1	L72		
	42D11141	Strip, seal retaining, 24G x 0.5" x .... 10" long	1	L72		
	43D11141	Strip, seal retaining, 24G x 0.5" x .... 7-1/2" long	1	L72		
	44D11141	Strip, seal retaining, 24G x 0.5" x .... 10" long	1	L72		
10365	58D11141/W	NOSE, DETACHABLE, C/W HEATER, ... WHITE, GROUP	1	—	A	JH5/197
	58D11141/C	NOSE, DETACHABLE, C/W HEATER, ... CAMOUFLAGED, GROUP (Mod. 1877)	1	—		JH5197A

FUSELAGE  
REAR PORTION

Ref. No.	Part No.	Description	No. off	Matl. Spec.	Cl. of St.	Plate and Illust'n No.
					M.R.	
		1 2 3 4				
		INTAKE, AIR, R.C.M. COOLING (1D11141) (Cont'd)				
1433346	58D11141/PC	NOSE, DETACHABLE, C/W HEATER, POLYURATHANE FINISH, GROUP (Mod. 2129)	1	—	A	
26FP/13689	3SS3237	(Attachments—Nose (58D11141) ) Bolt, 120° csk. head .....	28	—	C	JH5/198
	80D11141/W	PANEL, ACCESS, CENTRE COVER, ... WHITE, GROUP	1	—	MR	JH5/199
	80D11141/C	PANEL, ACCESS, CENTRE COVER, ... CAMOUFLAGED, GROUP (Mod. 1877)	1	—		JH5/199A
1433349	80D11141/PC	PANEL, ACCESS, CENTRE COVER, ... POLYURATHANE FINISH, GROUP (Mod. 2129)	1	—	B	
28FP/9488815	A4/30	Spares for:— Fastener, dzus .....	3	—	C	
	802D11141	Seal, neoprene .....	1	BS2752/C2		
	79D11141	Ring, mounting .....	1	—	MR	
		INSTALLATION, TAIL NAVIGATION LIGHTS (1D10788)				
	2D10788	Spares for:— BRACKET, LAMP, GROUP .....	2	—		JH7/200
	3D10788	Spares for:— BRACKET, GROUP .....	1	—		
5CX/4330071	—	Holder, lamp .....	1	—	B	JH7/201
28S/9435886	A45/A14	Screw, for lampholder .....	3	—	C	
	5D10788	Cover .....	1	L17	MR	JH7/202
	5D10787	Gasket .....	1	DTD818	MR	JH7/203
	9D10788	Panel, perspex .....	1	DTD846	MR	JH7/204
	4SS4199	Screw .....	12	—	MR	JH7/205
		JOINT OF STRINGERS AT TRANSPORT FORMER 428A" (1D10729)				
		Spares for:—				
12874	33D10729	Bracket, stringer, port top .....	1	L65	MR	
	55D10729	Bracket, stringer .....	1	DTD88C	C	
	34D10729	Bracket, stringer, starboard top .....	1	L65	MR	
	47D10729	Bracket, stringer 5 port .....	1	L65	MR	
	48D10729	Bracket, stringer 49 starboard .....	1	L65	MR	
1433669	72D10729	Bracket, stringer .....	1	—	C	
	75D10729	Bracket, stringer .....	1	—	MR	
1433218	77D10729	Bracket, stringer .....	1	—	C	
	79D10729	Bracket, stringer .....	1	—	MR	
	127D9545	Bracket, stringer .....	1	L65	MR	
	77D9545	Bracket, stringer 109 port and 110 starboard .....	1	DTD88C	MR	

FUSELAGE  
REAR PORTION

Ref. No.	Part No.	Description	No. off	Mtl. Spec.	Cl. of St.	Plate and Illust'n No.
					M.R.	
		1 2 3 4				
		JOINT OF STRINGERS AT TRANSPORT FORMER 428A" (1D10729) (Cont'd)				
	37D10729	Bracket, stringer 5 port .....	1	L65	MR	
	38D10729	Bracket, stringer 49 starboard .....	1	L65	MR	
		Attachment—Brackets (77D9545 & 33, 34, 37, 38, 47 & 48D10729)				
28D/1010030	A25/7C	Bolt, 2 BA .....	6	—	C	
28D/1011030	A25/2E	Bolt, 1/4" BSF .....	12	—	C	
28D/1011238	A25/3E	Bolt, 1/4" BSF .....	6	—	C	
28D/1008151	A25/4E	Bolt, 1/4" BSF .....	18	—	C	
28D/1011240	A25/5E	Bolt, 1/4" BSF .....	8	—	C	
28M/9403520	A27/CP	Nut, 2 BA .....	6	—	C	
28M/1011475	A27/EP	Nut, 1/4" BSF .....	44	—	C	
28W/9419475	SP.15/C	Washer, 2 BA .....	12	—	C	
28W/9419405	SP.15/E	Washer, 1/4" BSF .....	44	—	C	
	1D10754	LONGERON, PORT, GROUP .....	1	—	MR	JH7/206
		Spares for:—				
10371	117D10754	Bracket, hinge, hinge 6" .....	1	L65	C	JH7/207
10372	118D10754	Bracket, hinge, hinge 36" .....	1	L65	C	JH7/208
10373	119D10754	Bracket, hinge, hinge 54" .....	1	L65	C	JH7/209
10374	120D10754	Bracket, hinge, hinge 77.25" .....	1	L65	C	JH7/210
	121D10754	Bracket, hinge, hinge 90.25" .....	1	L65	MR	JH7/211
10376	122D10754	Bracket, hinge, hinge 113.5" .....	1	L65	C	JH7/212
		Attachments, hinge brackets (117, 118, 119, 120, 121, 122D10754)				
28D/9133012	A25/3C	Bolt, 2 BA .....	32	—	C	
28D/1200119	A25/4C	Bolt, 2 BA .....	4	—	C	
28W/9419475	SP.15/C	Washer .....	32	—	C	
28W/9419404	SP.16/C	Washer .....	4	—	C	
	1D10762	LONGERON, STARBOARD, GROUP .....	1	—		JH7/213
		Spares for:—				
28FP/340	S5/300	Spring, dzus .....	13	—	C	
		MECHANISM, PARACHUTE HOOK RELEASE (16D10782) (See Equipment Aircraft—Brake Parachute) MOUNTING, HOIST, FOR R.C.M. UNITS (1Z9316)				
		Spares for:—				
10417	72Z9316	Bolts, top pulleys (Make from A25/6J) ..	18	—	C	JH6/214
8458	9Z9316	BRACKET, MOUNTING, AT FORMER . 22.25", AFT FACE OF BEAM, PORT, INBOARD, GROUP	1	—	C	JH6/215
8460	10Z9316	BRACKET, MOUNTING, AT FORMER . 22.25", AFT FACE OF BEAM, STARBOARD, INBOARD, GROUP	1	—	C	JH6/216
8459	11Z9316	BRACKET, MOUNTING, AT FORMER . 22.25", FORWARD FACE OF BEAM, PORT, INBOARD, GROUP	1	—	C	JH6/217

VULCAN Mk. 3

FUSELAGE  
REAR PORTION

Page JH. 19

Ref. No.	Part No.	Description				No. off	Matl. Spec.	Cl. of St.	Plate and Illust'n No.
		1	2	3	4			M.R.	
		MOUNTING, HOIST, FOR R.C.M. UNITS (1Z9316) (Cont'd)							
8461	12Z9316					1	—	C	JH6/218
		BRACKET, MOUNTING, AT FORMER . 22.25", FORWARD FACE OF BEAM, STARBOARD, INBOARD, GROUP							
8462	17Z9316					1	—	C	JH6/219
		BRACKET, MOUNTING, AT FORMER . 46.75", AFT FACE OF BEAM, PORT, INBOARD, GROUP							
8464	18Z9316					1	—	C	JH6/220
		BRACKET, MOUNTING, AT FORMER . 46.75", AFT FACE OF BEAM, STARBOARD, INBOARD, GROUP							
8463	19Z9316					1	—	C	JH6/221
		BRACKET, MOUNTING, AT FORMER . 46.75", AFT FACE OF BEAM, PORT, INBOARD, GROUP							
8465	20Z9316					1	—	C	JH6/222
		BRACKET, MOUNTING, AT FORMER . 46.75", FORWARD FACE OF BEAM, STARBOARD, INBOARD, GROUP							
8466	25Z9316					1	—	C	JH6/223
		BRACKET, MOUNTING, AT FORMER . 71.25", AFT FACE OF BEAM, PORT, INBOARD, GROUP							
8468	26Z9316					1	—	C	JH6/224
		BRACKET, MOUNTING, AT FORMER . 71.25", AFT FACE OF BEAM, STARBOARD, INBOARD, GROUP							
8467	27Z9316					1	—	C	JH6/225
		BRACKET, MOUNTING, AT FORMER . 71.25", FORWARD FACE OF BEAM, PORT, INBOARD, GROUP							
8469	28Z9316					1	—	C	JH6/226
		BRACKET, MOUNTING, AT FORMER . 71.25", FORWARD FACE OF BEAM, STARBOARD, INBOARD, GROUP							
	ARMSTRONG 1255-8N 1/2"	Spares for:—							
		Insert, threaded . . . . .				1	—		
8427	61Z9316					1	—	C	JH6/227
		BRACKET, MOUNTING, AT FORMER . 487.5", GROUP							
8429	63Z9316					1	—	C	JH6/228
		BRACKET, MOUNTING, AT FORMER . 487.5", GROUP							
	3Z9316	Spares for:—							
		BRACKET, GROUP . . . . .				1	—		
	4Z9316	BRACKET, GROUP . . . . .				1	—		
		Spares for:—							
8428	60Z9316	Peg . . . . .				2	S21	C	
	63Z9316	BRACKET, AND PULLEY, AT . . . . . FORMER 22.25", PORT, OUTBOARD, GROUP				1	—		JH6/229

FUSELAGE  
REAR PORTION

Ref. No.	Part No.	Description	No. off	Mati. Spec.	Cl. of St.	Plate and Illust'n No.
					M.R.	
		1 2 3 4				
		MOUNTING, HOIST, FOR R.C.M. UNITS (1Z9316) (Cont'd)				
	64Z9316	BRACKET AND PULLEY AT FORMER 22.25", STARBOARD, OUTBOARD GROUP	1	—		JH6/230
10417	73Z9316	Spares for:— Bolt, for pulley .....	1	S92	C	JH6/231
	5Z9316	BRACKET, MOUNTING, AFT FACE, PORT, GROUP	1	—	MR	JH6/232
	7Z9316	BRACKET, MOUNTING, FORWARD FACE, PORT, GROUP	1	—	MR	JH6/233
8439	6Z9316	BRACKET, MOUNTING, AFT .....	1	—	C	JH6/234
		FACE, STARBOARD, GROUP				
8440	8Z9316	BRACKET, MOUNTING, FORWARD .....	1	—	C	JH6/235
		FACE, STARBOARD, GROUP				
		Spares for:—				
	ARMSTRONG 1255-8N 1/2"	Insert, threaded .....	1	—	C	
	54Z9316	Collar, for pulley .....	2	S92	MR	JH6/236
	52Z9316	Pin .....	1	S92	MR	JH6/237
8433	39Z9316	PIN, QUICK RELEASE, GROUP .....	1	—	C	JH6/238
		Spares for:—				
28FP/4069727	A428	Pin, pip .....	1	—	C	
8434	49Z9316	PULLEY, HOIST, PORT, GROUP .....	1	—	C	JH6/239
8441	50Z9316	PULLEY, HOIST, STARBOARD, .....	1	—	C	JH6/240
		GROUP				
		Consisting of:—				
	GLACIER METAL CO. 06/DU/08	Bearing, dry .....	2	—	MR	JH6/241
	49aZ9316	Pulley, port .....	1	L51		
	50aZ9316	Pulley, starboard .....	1	L51		
	53Z9316	Roller, cable .....	1	S82	MR	
26TA/12081	AS2811/8/039	Tube, distance, 1/2" o/d x 0.41" .....	1	—	C	
		long				
	AS2811/8/068	Tube, distance, 1/2" o/d x 0.81" .....	1	—		
		long				
	65Z9316	BRACKET AND PULLEY, AT FORMER 46.75", PORT, OUTBOARD, GROUP	1	—		JH6/242
	66Z9316	BRACKET AND PULLEY, AT FORMER 46.75", STARBOARD, OUTBOARD, GROUP	1	—		JH6/243
		Spares for:—				
10417	73Z9316	Bolt, for pulley .....	1	S92	C	JH6/241
	13Z9316	BRACKET, MOUNTING, AFT FACE, PORT, GROUP	1	—	MR	JH6/245
8443	15Z9316	BRACKET, MOUNTING, FORWARD FACE, PORT, GROUP	1	—	C	JH6/246
8444	14Z9316	BRACKET, MOUNTING, AFT FACE, STARBOARD, GROUP	1	—	C	JH6/247
8445	16Z9316	BRACKET, MOUNTING, FORWARD FACE, STARBOARD, GROUP	1	—	C	JH6/248
		Spares for:—				
	ARMSTRONG 1255-8N 1/2"	Insert, threaded .....	1	—		

VULCAN Mk. 2

FUSELAGE  
REAR PORTION

Page JH. 21

Ref. No.	Part No.	Description				No. off	Matl. Spec.	Cl. of St.	Plate and Illust'n No.
		1	2	3	4			M.R.	
				BRACKET AND PULLEY, AT FORMER 46.75", PORT AND STARBOARD (65 & 66Z9316) (Cont'd.)					
	54Z9316			Collar, for pulley .....	2	S92	MR	JH6/249	
	52Z9316			Pin .....	1	S92	MR	JH6/250	
8433	39Z9316			PIN, QUICK RELEASE, GROUP .....	1	—	C	JH6/251	
				Spares for:—					
28FP/927	A428			Pin, pip .....	1	—	C		
8434	49Z9316			PULLEY, HOIST, PORT, GROUP .....	1	—	C	JH6/252	
8441	50Z9316			PULLEY, HOIST, STARBOARD, .....	1	—	C	JH6/253	
				GROUP (For Spares—See Page JH. 17)					
	53Z9316			Roller, cable .....	1	S82	MR		
26TA/12081	AS2811/8/039			Tube, distance, 1/2" o/d x 0.41" .....	1	—	C		
				long					
	AS2811/8/068			Tube, distance, 1/2" o/d x 0.81" .....	1	—			
				long					
	67Z9316			BRACKET AND PULLEY, AT FORMER .....	1	—		JH6/254	
				71.25", PORT, OUTBOARD, GROUP					
	68Z9316			BRACKET AND PULLEY, AT FORMER .....	1	—		JH6/255	
				71.25", STARBOARD, OUTBOARD, GROUP					
				Spares for:—					
9185	73Z9316			Bolt, for pulley .....	1	S92	C	JH6/256	
8446	21Z9316			BRACKET, MOUNTING, AFT FACE, .....	1	—	C	JH6/257	
				PORT, GROUP					
	23Z9316			BRACKET, MOUNTING, FORWARD .....	1	—	MR	JH6/258	
				FACE, PORT, GROUP					
	22Z9316			BRACKET, MOUNTING, AFT FACE, .....	1	—	MR	JH6/259	
				STARBOARD, GROUP					
	24Z9316			BRACKET, MOUNTING, FORWARD .....	1	—	MR	JH6/260	
				FACE, STARBOARD, GROUP					
				Spares for:—					
	ARMSTRONG 1255-8N 1/2"			Insert, threaded .....	1	—			
	54Z9316			Collar, for pulley roller .....	1	S92	MR	JH6/261	
	52Z9316			Pin .....	1	S92	MR	JH6/262	
8433	39Z9316			PIN, QUICK RELEASE, GROUP .....	1	—	C	JH6/263	
				(For Spares—See Page JH. 18)					
8434	49Z9316			PULLEY, HOIST, PORT, GROUP .....	1	—	C	JH6/264	
8441	50Z9316			PULLEY, HOIST, STARBOARD, .....	1	—	C	JH6/265	
				GROUP (For Spares—See Page JH. 17)					
	53Z9316			Roller, cable .....	1	S82	MR		
26TA/12081	AS2811/8/039			Tube, distance, 1/2" o/d x 0.41" long	1	—	C		
	AS2811/8/068			Tube, distance 1/2" o/d x 0.81" long	1	—			

FUSELAGE  
REAR PORTION

Ref. No.	Part No.	Description	No. off	Mati. Spec.	Cl. of St.	Plate and Illust'n No.
					M.R.	
		1 2 3 4				
		MOUNTING, HOIST, FOR R.C.M. UNITS (129316) (Cont'd.)				
	7129316	BRACKET AND PULLEY, AT FORMER ..... 95.75", INBOARD, GROUP	1	—		JH6/266
		Spares for:—				
8438	5529316	Bolt, for pulley roller .....	2	S92	C	JH6/267
10419	5629316	Bolt, for pulley, hex. head .....	2	S92	C	JH6/268
10418	7629316	Bolt, for pulley, csk. head .....	1	S92	C	JH6/269
8470	2929316	BRACKET, MOUNTING, FORWARD ..... FACE, PORT, OUTBOARD, GROUP	1	—	C	JH6/270
8471	3029316	BRACKET, MOUNTING, FORWARD ..... FACE, STARBOARD, OUTBOARD, GROUP	1	—	C	JH6/271
8450	3129316	BRACKET, MOUNTING, FORWARD ..... FACE, PORT, INBOARD, GROUP	1	—	C	JH6/272
8451	3229316	BRACKET, MOUNTING, FORWARD ..... FACE, STARBOARD, INBOARD, GROUP	1	—	C	JH6/273
8472	3329316	BRACKET, MOUNTING, AFT FACE, ..... PORT, GROUP	1	—	C	JH6/274
	3429316	BRACKET, MOUNTING, AFT FACE, ..... CENTRE AND STARBOARD, GROUP	1	—	MR	JH6/275
		Spares for:—				
	ARMSTRONG 1255-8N-1/2"	Insert, threaded .....	1	—		
	5429316	Collar, for roller .....	5	S92	MR	JH6/276
	5929316	Collar, flanged, for roller .....	1	S92	MR	JH6/277
	5829316	Pin, for roller .....	1	S92	MR	JH6/278
	4429316	PIN, QUICK RELEASE, GROUP .....	3	—	MR	JH6/279
		Spares for:—				
	Z402/24	Pin, pip .....	1	—	C	
	4029316	PIN, SCREWED, GROUP .....	6	—	MR	JH6/280
		Spares for:—				
	163SS4700	Spring .....	1	DTD271		
8434	4929316	PULLEY, HOIST, GROUP .....	3	—	C	JH6/281
		(For Spares—See Page JH. 17)				
	7729316	Washer, for bolt (5629316) .....	1	DTD130		
8473	8929316	BRACKET, MOUNTING, FORWARD ..... FACE, 120.25", PORT, GROUP	1	—	C	JH6/282
8474	7029316	BRACKET, MOUNTING, FORWARD ..... FACE, 120.25", STARBOARD, GROUP	1	—	C	JH6/283
		Spares for:—				
	ARMSTRONG 1255-8N-1/2"	Insert, threaded .....	1	—		
8428	6029316	Peg .....	2	S21	C	

FUSELAGE  
REAR PORTION

Ref. No.	Part No.	Description	No. off	Matl. Spec.	Cl. of St.	Plate and Illust'n No.
					M.R.	
		1 2 3 4				
		MOUNTING, HOIST, FOR R.C.M. UNITS (1Z9316) (Cont'd)				
8475	41Z9316	CABLE, HOISTING, 15' LONG, ..... GROUP	3	—	C	JH6/284
8476	42Z9316	CABLE, HOISTING, 16' LONG, ..... GROUP	6	—	C	JH6/285
8430	40Z9316	PIN, SCREWED, GROUP .....	30	—	C	JH6/286
	163SS4700	Spares for:—				
	AS103	Spring .....	1	DTD271		
28R/1052624		Pulley, top .....	18	—	B	JH6/287
		MOUNTING, X-BAND TRANSMITTER (T6620) (Mod. 2024)				
		Spares for:—				
	14T6620	BRACKET, ASSEMBLY .....	1	—		
	4T6620	BRACKET, ASSEMBLY .....	3	—		
	5T6620	Channel, attachment, forward .....	1	—		
	7T6620	Channel, attachment, aft .....	1	—		
	6T6620	Channel, attachment .....	1	—		
	8T6620	Channel, attachment, aft .....	1	—		
		CRADLE FOR TRANSMITTER (T6595)				
		Spares for:—				
	2T6595	Beam, lifting .....	1	—		
	5T6595	Beam .....	2	—		
	14T6595	Bracket .....	2	—		
	15T6595	Bracket .....	2	—		
	11T6620	Eyebolt .....	4	—		
	SP8Y/4	Rod, tension, 1/4" B.S.F. ....	2	—		
	AS2387	Trunnion, left-hand .....	2	—		
	AS2384	Trunnion, right-hand .....	2	—		

FUSELAGE  
REAR PORTION

Ref. No.	Part No.	Description	No. off	Matl. Spec.	Cl. of St.	Plate and Illust'n No.
					M.R.	
		1 2 3 4				
		PANEL, DETACHABLE, AT TAIL BUMPER STRUCTURE (1D10772) (Pre-Mod. 2444)				
		PANEL, DETACHABLE, AT TAIL BUMPER STRUCTURE (44D10772) (Mod. 2444)				
10398	41D10772	Spares for:— DOOR, ACCESS, FORWARD, GROUP .....	1	—		JH5/288
		(Pre-Mod. 2444)				
23035	43D10772	DOOR, ACCESS, FORWARD, GROUP (Mod. 2444)	1	—	B	
		PANEL, ACCESS, GROUP (1D74525) (Mod. 2444)				
23033	3D14525	PANEL, ASSY., REINFORCING .....	1	—	B	
		Spares for:—				
	3aD14525	Plate, reinforcing .....	1			
28FP/9429531	S4—225	Spring, dzus .....	8			
23034	2D14525	PANEL ASSY., ACCESS .....	1	—	B	
		Spares for:—				
	AS44445B175J	Cord, retaining .....	1			
28FP/9491457	AJ4—30	Fastener .....	8			
28FP9430915	GA4—250	Grommet .....	8			
	2aD14525	Panel .....	1			
28E/9467497	SS169-½	Ring, split (Mod. 2444) .....	2			
	42D10772	Seal (Made from 1SS4489) .....	2			
28Y/6458070	AS41089A	Tag (Mod. 2444) .....	2			
10396	33D10772	PANEL, ACCESS, PORT, GROUP .....	1	—	C	JH5/289
10397	34D10772	PANEL, ACCESS, STARBOARD, .....	1	—	C	JH5/290
		GROUP				
		Attachments—Panels (33 & 34D10772)				
	2SS4353	Bolt, csk. head .....	16	—	C	JH5/291
28FP/6946	AS1248/1/2C	Bolt, mushroom head .....	4	—	C	JH5/292
10360	165D10703	Pin, hinge, for access doors .....	6	—	C	JH1/293
7869	1D10785/W	RADOME AND MOUNTING .....	1	—	A	JH4/294
		RING, WHITE, GROUP				



FUSELAGE  
REAR PORTION

Ref. No.	Part No.	Description	No. off	Matl. Spec.	Cl. of St.	Plate and Illust'n No.
					M.R.	
		1 2 3 4				
		STRUCTURE, REAR PORTION (1D10703) (Cont'd.)				
	1D10785/C	RADOME AND MOUNTING RING, ..... CAMOUFLAGED, GROUP (Mod. 1877)	1	—		JH4/294A
	1D10785/PC	RADOME AND MOUNTING RING, ..... POLYURATHENE FINISH, GROUP (Mod. 2129)	1	—		
	D13149	RADOME AND MOUNTING RING, ..... GROUP (Mod. 2017)	1	—		
		Spares for:—				
28D/1212373	2D10785	Bolt, mushroom head, 3/8" BSF .....	4	S96	MR	JH4/295
	AS1248/4E	Bolt, mushroom head, 1/4" BSF .....	20	—	C	
7868	1D10716/W	RADOME, FOR REAR WARNING ..... SCANNER ARI-X5919, WHITE, GROUP	1	—	A	JH4/296
	1D10716/C	RADOME, FOR REAR WARNING ..... SCANNER ARI-X5919, CAMOUFLAGED, GROUP (Mod. 1877)	1	—		JH4/296A
143345	1D10716/PC	RADOME, FOR REAR WARNING ..... SCANNER ARI-X5919, POLYURATHENE FINISH GROUP (Mod. 2129)	1	—	A	
17396	D13150	RADOME, FOR REAR WARNING ..... SCANNER ARI5952 (Mod. 2017)	1	—		
17395	1D10718	RING, MOUNTING, GROUP .....	1	—		JH4/297
		Spares for:—				
	13D10718	Block, at sealing plates .....	4	L72		
	15D10718	Bolt, special, through bush ..... ((Pre-Mod. 2017)	4	S80	MR	
17500	2T6471	Bolt, special, through bush ..... (Mod. 2017)	4	—		
	11D10718	Bush, in mounting ring .....	4	Nylon	MR	JH4/298
	KING A/C					
	D4727	Fitting, attachment for radome .....	4	—	MR	JH4/299
	C4583	Lever, and male link assy .....	4	—	MR	JH4/300
	6D10718	Plate, retaining, outer seal .....	12	L72	MR	JH4/301
	7D10718	Plate, retaining, outer seal .....	2	L72	MR	JH4/302
	8D10718	Plate, retaining, inner seal .....	2	L72	MR	JH4/303
	9D10718	Plate, retaining, inner seal .....	2	L72	MR	JH4/304
	1D10710	Ring, mounting .....	1	L65		
	12D10718	Seal, inflatable, aft .....	1	—	MR	JH4/305
	DUNLOP					
	RR/B/820667/13	Seal, inflatable, forward .....	1	—	MR	JH4/306
	2D10718	Spigot .....	4	DTD130	MR	JH4/307
	3D10718	TEE, RADOME SEAL, GROUP .....	1	—	MR	JH4/308
	4D10718	Tube, neoprene, 3-1/4" long .....	1	—		
	5D10718	Tube, neoprene, 9" long .....	1	—		
	14D10718	Washer, under head of bolt ..... (15D10718)	4	Nylon	MR	JH4/309

VULCAN Mk. 2

FUSELAGE  
REAR PORTION

Page JH. 25

Ref. No.	Part No.	Description	No. off	Matl. Spec.	Cl. of	Plate and Illust'n No.
					St. M.R.	
		1 2 3 4				
		STRUCTURE, REAR PORTION (1D10703) (Cont'd)				
		SKINNING, REAR PORTION (1D10719) Spares for:—				
		PANEL, ACCESS, BETWEEN FORMERS 428A" AND 442.5", PORT (1D10769), STARBOARD (1D10770)				
		Spares for:—				
	12D10770	FAIRLEAD, STARBOARD, GROUP .	1	—	MR	JH7/310
10407	3D10769	PANEL, ACCESS, PORT, GROUP ...	1	—	C	JH7/311
10408	2D10770	PANEL, ACCESS, STARBOARD, .... GROUP	1	—	C	JH7/312
		Attachments—Panels (3D10769 & 2D10770)				
28D/9436920	A25/1C	Bolt, 2 BA .....	25	—	C	
28D/9133011	A25/2C	Bolt, 2 BA, starboard .....	4	—	C	
28W/9419475	SP15/C	Washer, port .....	25	—	C	
28W/9419402	SP13/C	Washer, starboard .....	27	—	C	
10846	1D10982	UNDERFAIRING, RUDDER, GROUP .	1	—	B	JH5/313
		Spares for:—				
	26D9211	Clip, half .....	2	—	MR	JH5/314
	4D10982	Dishing, port .....	1	—	MR	JH5/315
	5D10982	Dishing, starboard .....	1	—	MR	JH5/316
		Attachments—Dishing (4 & 5D10982)				
28D/9436920	A25/1C	Bolt, hex. head, 2 BA .....	15	—	C	
1510622	17D10982	Fairing, aft .....	1	L72	C	JH5/317
10404	18D10982	Panel, side, port .....	1	L72	C	JH5/318
	19D10982	Panel, side, starboard .....	1	L72	MR	JH5/319
		Attachments—Panels (18 & 19D10982)				
26FP/6946	2SS4353	Bolt, csk. head .....	30	—	C	JH5/320
	6D10982	Seal, at dishings, forward .....	1	Rubber		JH5/321
	11D10982	Seal, at dishings, aft .....	1	Rubber		JH5/322
	2Z9191	Skirt, half .....	2	L72	MR	JH5/323
		SEALING, FOR ACCESS DOORS ON PORT LONGERON (1D11520)				
		Spares for:—				
	2D11520	STRIP, SEALING, FORWARD, .... 8" LONG, GROUP	1	—		JH7/324
		Consisting of:—				
	2bD11520	Seal .....	1	CS2808		
	2aD11520	Strip, retaining .....	1	S521		

FUSELAGE  
REAR PORTION

Ref. No.	Part No.	Description	No. off	Matl. Spec.	Cl. of	Plate and Illust'n No.
					St. M.R.	
		1 2 3 4				
		SEALING, FOR ACCESS DOORS ON PORT LONGERON (1D11520) (Cont'd)				
	3D11520	STRIP, SEALING, 2' 6" LONG, ..... GROUP	1	—		JH7/325
	3bD11520	Consisting of:— Seal .....	1	CS2808	MR	
	3aD11520	Strip, retaining .....	1	S521		
	4D11520	STRIP, SEALING, 18" LONG, ..... GROUP	1	—		JH7/326
	4bD11520	Consisting of:— Seal .....	1	CS2808		
	4aD11520	Strip, retaining .....	1	S521		
	5D11520	STRIP, SEALING, 2' LONG, GROUP .	1	—		JH7/327
	5bD11520	Consisting of:— Seal .....	1	CS2808		
	5aD11520	Strip, retaining .....	1	S521		
	6D11520	STRIP, SEALING, 1' 15" LONG, ..... GROUP	1	—		JH7/328
	6bD11520	Consisting of:— Seal .....	1	CS2808		
	6aD11520	Strip, retaining .....	1	S521		
	7D11520	STRIP, SEALING, 2' LONG, GROUP .	1	—		JH7/329
	7bD11520	Consisting of:— Seal .....	1	CS2808		
	7aD11520	Strip, retaining .....	1	S521		
	8D11520	STRIP, SEALING, AFT, 8" LONG, .. GROUP	1	—		JH7/330
	8bD11520	Consisting of:— Seal .....	1	CS2808		
	8aD11520	Strip, retaining .....	1	S521		
		SOCKET, GROUND A.C. BETWEEN FORMERS 461.5" & 472.5" (1V8636)				
	7V8636	Spares for:— Bracket, hook .....	1	L72		
10421	2V8636	DOOR, ACCESS, GROUP .....	1	—	B	JH7/331
		Spares for:— Fastener, dzus .....	2	—	C C	
28FP/4062384	FJ4/30	Grommet, dzus .....	2	—		
28FP/9483371	GF4/150 2dV8636	Hinge (Make from AS1878/25) .....	1	—		
	14Z7504	Hook .....	1	DTD364B		
	3V8636	PANEL, MOUNTING, GROUP .....	1	—		JH7/332
		Attachments Panel (3V8636)				
28D/1007982	AS1248/1C	Bolt .....	10	—	C C	
28W/9419475	SP15/C	Washer .....	15	—		

VULCAN Mk. 2

FUSELAGE  
REAR PORTION

Page JH. 27

Ref. No.	Part No.	Description	No. off	Matl. Spec.	Cl. of	Plate and Illust'n No.
					St. M.R.	
		1 2 3 4				
SOCKET, GROUND A.C. BETWEEN FORMERS 461.5" AND 472.5" (1V8636) (Cont'd)						
5CY/5371	—	Plug, external power, 115-200V .....	1	—	B	JH7/333
28FP/9438491	S4/275	Spring, dzus .....	2	—	C	
STRUCTURE, BETWEEN FORMERS 120.25 AND 162.20" (1D10734)						
Spares for:—						
	181D10734	Angle, attachment (Mod. 2240) .....	1	—		
	183D10734	Angle, stiffener (Mod. 2240) .....	1	L72		
	119D10734	Bracket, at former 120.25", port .....	1	L72	MR	JH7/334
	120D10734	Bracket, at former 120.25", starboard ...	1	L72	MR	JH7/334
	182D10734	Bracket, attachment (Mod. 2240) .....	1	DTD5020		
	4D10734	BRACKET, GUIDE RAIL, GROUP .....	4	—		JH7/335
	195D10734	BUNG, GROUP (Mod. 2240) .....	1	—	MR	JH7/336
Spares for:—						
28D/9133012	A25/3C	Bolt, 2 BA .....	1	—	C	
	2bSS5206	Bush, rubber .....	1	BSS2752/CZ		
	195bD10734	Cord, nylon, 1/16" dia. x 16" long ...	1	FTF786		
	195aD10734	Nut .....	1	S93		
	2aD10734	Washer .....	1	DTD130		
28W/9419454	SP10/C	Washer, 2 BA .....	1	—	C	
	194D10734	Cleat (Mod. 2240) .....	2	L72		
	180D10734	Channel, attachment (Mod. 2240) .....	1	—		
28E/3318	AGS606/A	Clip, hose .....	4	—	C	
26FP/2721	2SS3859	Clip, pipe, for drain .....	2	—	C	
26FP/13093	8SS3264	Clip, for guide tube (Mod. 2240) .....	3	—	C	
	AS.3179/1	Cover, handhole, curved .....	1	—	MR	JH7/339
	17D10734	Fastener, for radome attachment to former 162.2" .....	4	—	MR	JH7/340
INDICATOR, TAIL BUMP, (D12613) (Mod. 1583)						
Spares for:—						
	3D12613	FAIRING, GROUP .....	1	—	MR	JH7/341
Spares for:—						
	3bD12613	Seal .....	1	DTD762	MR	JH7/342

FUSELAGE  
REAR PORTION

Ref. No.	Part No.	Description	No. off	Matl. Spec.	Cl. of St.	Plate and Illust'n No.
					M.R.	
		1 2 3 4				
		INDICATOR, TAIL BUMP (D12613) (Mod. 1583) (Cont'd)				
1432751	2D12613	KEEL, ASSEMBLY, GROUP .....	1	—	C	JH7/343
	12D12613	Spares for:— Bolt, adjustment .....	2	S93	MR	JH7/344
	6D12613	LEG, INDICATOR, GROUP .....	1	—		JH7/345
	6jD12613	Spares for:— Block, striker .....	1	S80	MR	
	6aD12613	Leg, indicator .....	1	—	MR	
	13D12613	Spring .....	1	DTD239	MR	JH7/346
5CW/1084481	DOWTY DN1241Z Mk. 1A	Switch, micro .....	2	—	A	JH7/347
1432752	4D12613	Plate .....	1	—	C	
1432753	5D12613	Stop .....	1	L65	C	JH7/348
	1Z9319	INTAKE, N.A.C.A. FLUSH FOR SCANNER COOLING, GROUP .....	1	—		
	188D10734	Packer, 20G (Mod. 2240) .....	1	L72	LM	
11220	87D10734	PANEL, LOUVRE, GROUP .....	1	—	C	JH7/349
28FP/9539060	F4/30	Spares for:— Fastener, dzus .....	3	—	C	
11338	151D10734	Pipe, drain at former 162.2", port .....	1	L56		JH7/350
	61010734	Pipe, conical outlet .....	1	—	C	JH7/351
	150D10734	Pipe, drain, at fastener .....	1	—		JH7/352
	155D10734	Pipe, stub at outer skin .....	1	—		JH7/353
1505097	63D10734	Plate, coupling at conical pipes outlet ...	1	S92	C	JH7/353A
	187D10734	Plate, cover (Mod. 2240) .....	1	L72	LM	
17058	160D10734	RAIL GUIDE, GROUP .....	4	—	MR	JH7/354
1510400	184D10734	ROLLER, CABLE, GROUP (Mod. 2240) Spares for:—	1	—	C	JH7/338
	GLACIER 04.DU.06	Bush .....	1	—		
		Attachments for:— Roller, Part No. 184D10734				
28D/9140645	A25/10C	Bolt, hex. hd., 2 BA .....	1	—	C	
28M/5808573	A27/CS	Nut, 2 BA .....	1	—	C	
28P/9710567	SP.90/C4	Pin, split .....	1	—	C	
26DL/6831	AS.2806/4/095	Tube, distance .....	1	—	C	
28W/9419402	SP.13/C	Washer, 2 BA .....	1	—	C	

VULCAN Mk. 2

FUSELAGE  
REAR PORTION

Page JH. 27B

Ref. No.	Part No.	Description	No. off	Matl. Spec.	Cl. of St.	Plate and Illust'n No.
					M.R.	
		1 2 3 4				
		STRUCTURE, BETWEEN FORMERS 120.25" AND 162.20" (1D10734) (Cont'd.)				
	56D10734	Strip, sealing at fasteners .....	4	Rubber	MR	JH7/355
		STRUCTURE, SCANNER, VIBRATION DAMPING (1D10789) Spares for:—				
	15D10789	BRACKET, CHANNEL, BOTTOM, ..... L.H. FOR SPIDER, GROUP	1	—	MR	JH7/356
	16D10789	BRACKET, CHANNEL, BOTTOM ..... R.H. FOR SPIDER, GROUP	1	—	MR	JH7/357
	19D10789	Diaphragm, bottom .....	1	L72	MR	JH7/358
	20D10789	Diaphragm, top .....	1	L72	MR	JH7/359
	186D10734	Tube, guide (Mod. 2240) .....	1	DTD5019	MR	JH7/360
	152D10734	Tube, rubber, drain pipes .....	2	EL1357		



VULCAN Mk. 2

FUSELAGE  
REAR PORTION

Page JH. 29

Ref. No.	Part No.	Description	No. off	Matl. Spec.	Cl. of St.	Plate and Illust'n No.
					M.R.	
		1 2 3 4				
<b>STRUCTURE, R.C.M. HOIST UNITS (1D10749) (Cont'd.)</b>						
22317	87D10749	Bracket, pulley, R.H., (for 74D10749)	1	L72	C	JH6/367
22318	89D10749	Bracket, pulley, L.H., (for 74D10749)	1	L72	C	JH6/368
22319	27D10749	Bracket, pulley, L.H., for 75 & ..... 76D10749)	1	L72	C	JH6/369
22320	28D10749	Bracket, pulley, R.H., (for 75 & ..... 76D10749)	1	L72	C	JH6/370
22321	102D10749	Bracket, pulley, L.H., for 75D10749)	1	L72	C	JH6/371
22322	103D10749	Bracket, pulley, L.H., (for 76D10749)	1	L72	C	JH6/372
22305	17D10749	Diaphragm .....	1	L72	C	
22306	18D10749	Diaphragm .....	1	L72	C	
22307	19D10749	Diaphragm .....	1	L72	C	
	20D10749	Diaphragm .....	1	L72	MR	
22311	21D10749	Diaphragm .....	1	L72	C	
	124D10749	Panel, access, (for 71 & 72D10749) ...	1	L72	C	JH6/373
	127D10749	Panel, access, (for 73 & 74D10749) ...	1	L72		JH6/374
	111D10749	Panel, access, (for 75 & 76D10749) ...	1	L72		JH6/375
	22D10749	Shield, pulley .....	1	L72	MR	
	25D10749	Shield, pulley .....	3	L72		
	26D10749	Shield, pulley .....	2	L72		
<b>STRUCTURE, SUPPORT, FOR RUDDER POWER UNIT (1D10766)</b>						
Spares for:—						
5320	20D9121	Bolt, eye .....	2	S96	C	JH1/376
7867	7D10766	STRUT, SUPPORT, GROUP .....	2	—	C	JH1/377
5321	21D9121	Washer, shim, at strut, top .....	2	—	C	JH1/378
<b>STRUCTURE, TAIL BUMPER (1D10750)</b>						
Spares for:—						
	51D10750	Angle, door land, on edge member ....	1	L72	MR	
	52D10750	Angle, door land, on edge member ....	1	L72	MR	
	94D10750	ARCH, ASSEMBLY, AT FORMER ..... 428", GROUP	1	—	MR	JH5/379
	1D10756	BEAM, MAIN, PORT, GROUP .....	1	—	MR	JH5/380
Spares for:—						
13474	39D10756	Angle, door landing .....	1	L72	C	
	2D10756	BEAM, MAIN, STARBOARD, GROUP ...	1	—	MR	JH5/381
Spares for:—						
13475	40D10756	Angle, door landing .....	1	L72	C	
	25D10750	Bracket, at former 428", port .....	1	L65	MR	
	26D10750	Bracket, at former 428", starboard .....	1	L65	MR	
10410	3D10750	Bracket, bearing, front port .....	1	L65	C	JH5/382
10411	4D10750	Bracket, bearing, front starboard .....	1	L65	C	JH5/383
10412	5D10750	Bracket, bearing, aft, port .....	1	L65	C	JH5/384

FUSELAGE  
REAR PORTION

Ref. No.	Part No.	Description	No. off	Mati. Spec.	Cl. of St.	Plate and Illust'n No.
					M.R.	
		1 2 3 4				
		STRUCTURE, TAIL BUMPER (1D10750) (Cont'd.)				
10413	6D10750	Bracket, bearing, aft, starboard .....	1	L65	C	JH5/385
	27D10750	Channel, bridge, at former 472.5" .....	1	L65	MR	
	7D10750	Diaphragm, at former 428", port .....	1	L72	MR	
	8D10750	Diaphragm, at former 428", starboard ..	1	L72	MR	
	90D10750	DIAPHRAGM, AT FORMER 442.5", .....	1	—	MR	JH5/386
		GROUP				
		Spares for:—				
	32D10750	Angle, door landing .....	1	L72	MR	JH5/387
	91D10750	DIAPHRAGM, AT FORMER 461.5", .....	1	—	MR	JH5/388
		GROUP				
	KING A/C D8487	Fastener, stronghold (Base only) .....	19	—		JH5/389
5CX/4679628	—	Glass, amber, for downward ident lamp	1	—	B	JH5/390
	59D10750	Intercostal .....	1	L72	MR	
	60D10750	Intercostal .....	1	L72	MR	
5CX/1053245	—	Lamp, ident .....	1	—	B	JH5/391
	18D10750	Member, cross, at former 428" .....	1	L72	MR	
	41D10750	Member, edge, between formers 428" . & 442.5"	1	L72	MR	
	42D10750	Member, edge, between formers 428" . & 442.5"	1	L72	MR	
10414	TECALEMIT NA5792/1	Nipple, grease, at forward bearing .....	2	—	C	
		brackets				
7855	1D10764	PANEL, ACCESS, AFT, GROUP .....	1	—	B	JH5/392
10416	92D10750	Panel, window, group .....	1	—	B	JH5/393
		Spares for:—				
1433484	38D10750	Rim, inner, for window .....	1	L72	C	
1433485	39D10750	Rim, outer, for window .....	1	L72	C	
7856	47D10750	Window, perspex .....	1	DTD339/A	C	JH5/394
	1D10765	PANEL, ACCESS, FORWARD, GROUP .. (Pre-Mod. 1149)	1	—		
10187	1D12027	PANEL, ACCESS, FORWARD, GROUP .. (Mod. 1149)	1	—	B	JH5/395
		Spares for:—				
	KING A/C D7293	Fastener, stronghold (Pre-Mod. 114) .	19	—	MR	
10415	13D10765	HANDLE, GROUP .....	1	—	C	
28M/4095775	AGS2014/C31	Nut, floating anchor (Mod. 1149) ....	19	—	C	
1747	1D9779	STRUT, SUPPORT, FOR RUDDER .....	1	—	C	
		POWER UNIT, GROUP (Pre-Mod. 2317)				
	1D13812	STRUT, SUPPORT, FOR RUDDER .....	1	—	MR	JH1/396
		POWER UNIT, GROUP (Mod. 2317)				
558	1D10704/W	STRUCTURE, TAILING EDGE, PORT, .....	1	—	A	JH10/397
		WHITE, GROUP				

VULCAN Mk. 2

FUSELAGE  
REAR PORTION

Page JH. 31

Ref. No.	Part No.	Description	No. off	Matl. Spec.	Cl. of St.	Plate and Illust'n No.
					M.R.	
		1 2 3 4				
	1D10704/C	STRUCTURE, TRAILING EDGE, PORT, ..... CAMOUFLAGED, GROUP (Mod. 1877)	1	—		JH10/397A
	1D10704/PC	STRUCTURE, TRAILING EDGE, PORT, ..... POLYURETHENE FINISH, GROUP (Mod. 2129)	1	—		
559	2D10704/W	STRUCTURE, TRAILING EDGE, ..... STARBOARD, WHITE, GROUP	1	—	MR/A	JH10/398
	2D10704/C	STRUCTURE, TRAILING EDGE, ..... STARBOARD, CAMOUFLAGED, GROUP (Mod. 1877)	1	—		JH10/398A
	2D10704/PC	STRUCTURE, TRAILING EDGE, ..... STARBOARD, POLYURETHENE FINISH, GROUP (Mod. 2129)	1	—		
	185D8760	Spares for:— Box, collector fuel drain between former ..... 472.5" and 480", port and starboard	2	—	MR	JH8/399
	77D8760	Bracket, stringer attachment .....	9P 14S	L72		
	78D8760	Bracket, stringer attachment .....	14P 9S	L72		
3714	109D8760	Bracket, stringer attachment .....	14P 20S	L72	MR/C	
3715	110D8760	Bracket, stringer attachment .....	20P 14S	L72	MR/C	
	113D8760	Bracket, stringer attachment .....	9	L72		
	114D8760	Bracket, stringer attachment .....	9	L72		
	1D10906	CAP, JET PIPE I/B, PORT, GROUP ..... (Pre-Mod. 906)	1	—		
11771	1D11459	CAP, JET PIPE I/B, PORT, GROUP ..... (Mod. 906)	1	—	A	JH10/400
12208	49D10906	CAP, JET PIPE I/B, PORT, GROUP ..... (Mod. 1133)	1	—	A	JH11/401
	2D10906	CAP, JET PIPE I/B, STARBOARD, ..... GROUP (Pre-Mod. 906)	1	—		
11772	2D11459	CAP, JET PIPE I/B, STARBOARD, ..... GROUP (Mod. 906)	1	—	A	JH10/402
12210	50D10906	CAP, JET PIPE I/B, STARBOARD, ..... GROUP (Mod. 1133)	1	—	A	JH11/403
	1D10907	CAP, JET PIPE O/B, PORT, GROUP ..... (Pre-Mod. 906)	1	—		
11773	1D11460	CAP, JET PIPE O/B, PORT, GROUP ..... (Mod. 1133)	1	—	A	JH10/404
12209	21D10907	CAP, JET PIPE O/B, PORT, GROUP ..... (Mod. 1133)	1	—	A	JH11/405

FUSELAGE  
REAR PORTION

Ref. No.	Part No.	Description	No. off	Matl. Spec.	Cl. of St.	Plate and Illust'n No.
					M.R.	
		1 2 3 4				
		STRUCTURE, TRAILING EDGE, PORT AND STARBOARD (1 & 2D10704) (Cont'd.)				
	2D10907	CAP, JET PIPE O/B STARBOARD, ..... GROUP (Pre-Mod. 906)	1	—		
11774	2D11460	CAP, JET PIPE O/B STARBOARD, ..... GROUP (Mod. 906)	1	—	A	JH10/406
12211	22D10907	CAP, JET PIPE O/B STARBOARD, ..... GROUP (Mod. 1133)	—	—	A	JH11/407
	186D8760	Fairing for fuel drain collector box, port ..... and starboard	2	L59	MR	JH11/408
		FORMER, JET PIPE 428" A BOTTOM ..... PORTION, PORT AND STARBOARD (3 & 4D10731)	—	—		JH9/409
		Spares for:—				
3647	11D8761	Angle, wing I/B & O/B, port .....	2	DTD364B	MR/C	
	13D8761	Angle, wing L.H., port .....	1	DTD364B	MR	
	14D8761	Angle, wing L.H., starboard .....	1	DTD364B	MR	
	23D8761	Angle, wing, centre, port .....	1	DTD364B	MR	
3648	24D8761	Angle, wing I/B & O/B, starboard .....	2	DTD364B	MR/C	
	5D10731	Angle, wing R.H., port .....	1	DTD364B	MR	
	6D10731	Angle, wing R.H., starboard .....	1	DTD364B	MR	
	7D10731	Angle .....	—	—	MR	
	8D10731	Plate .....	—	—	MR	
22599	11D10731	Plate .....	—	—	C	
	12D10731	Plate .....	—	—	MR	
	13D10731	Plate .....	—	—	MR	
3651	15D8761	Plate, joint, port and starboard .....	2	L72	MR/C	
3650	16D8761	Plate, joint, port and starboard .....	2	L72	MR/C	
3649	17D8761	Plate, joint, port and starboard .....	2	L72	MR/C	
3652	22D8761	Plate, joint, port and starboard .....	2	L72	MR/C	
17845	1D8772 2D8772	FORMER, JET PIPE 442.5" INBOARD, ..... PORT AND STARBOARD	—	—	B	JH9/410
		Spares for:—				
3656	10D8772	Angle, bottom .....	1	L72	MR/C	
3654	15D8772	Channel, jointing, side .....	1	L72	MR/C	
3655	16D8772	Channel, jointing, side .....	1	L72	MR/C	
	4D8772	Member, bottom .....	1	L72	MR	
	1D8775 2D8775	FORMER, JET PIPE 442.5 OUT- ..... BOARD, PORT & STARBOARD	—	—		JH9/411
		Spares as for 1 & 2D8772				
17844	1D9262 2D9262	FORMER, JET PIPE 452" , PORT ..... AND STARBOARD	—	—	B	JH9/412
		Spares for:—				
3659	7D9262	Channel, joint bottom .....	2	L72	MR/C	
	5D9262	FORMER, bottom half, starboard .....	1	L72	MR	
	6D9262	Former, bottom half, port .....	1	L72		

FUSELAGE  
REAR PORTION

Ref. No.	Part No.	Description	No. off	Matl. Spec.	Cl. of	Plate and Illust'n No.
					St. M.R.	
		1 2 3 4				
		STRUCTURE TRAILING EDGE, PORT AND STARBOARD (1 & 2D10704) (Cont'd)				
		FORMER, JET PIPE 472.5", INBOARD & OUTBOARD, PORT AND STARBOARD (1 & 2D10979) (1 & 2D10980)	-			JH9/413
		Spares for:-				
22578	15D10979	Channel, joint, top, forward, L.H.	1	L72	MR/C	
	16D10979	Channel, joint, bottom, aft, R.H.	1	L72	MR	
	19D10979	Channel, joint, top, forward, R.H.	1	L72	MR	
	20D10979	Channel, joint, bottom, aft, L.H.	1	L72	MR	
	7D10979	Former, bottom, forward	1	L72	MR	
	8D10979	Former, bottom, aft	1	L72	MR	
22577	18D10979	Plate, doubling, top, aft, L.H.	1	L72	MR/C	
	22D10979	Plate, doubling, top, aft, R.H.	1	L72	MR	
	25D10979	Plate, doubling, top, forward, L.H.	1	L72	MR	
	26D10979	Plate, doubling, top, forward, R.H.	1	L72	MR	
		FORMER, JET PIPE 461.5", INBOARD AND OUTBOARD, PORT AND STARBOARD (1 & 2D10986) (1 & 2D10987)	-			JH9/414
		Spares for:-				
	13D10986	Angle, bottom	1	L72	MR	
	10D10986	Channel, joint, top, L.H.	1	L72	MR	
	14D10986	Channel, joint, top, R.H.	1	L72	MR	
	12D10986	Former, bottom	1	L72	MR	
	11D10986	Plate, doubling, bottom	1	L72	MR	
		FORMER, JET PIPE 480" A, INBOARD, AND OUTBOARD (1 & 2D10722) (11 & 12D9259)	-			JH9/415
		Spares for:-				
	15D9258	Channel, joint, bottom, inner	1	L72		
	16D9258	Channel, joint, bottom, outer	1	L72		
	9D9258	Former, bottom portion, port	1	L72		
	10D9258	Former, bottom portion, starboard	1	L72		
		FORMER, JET PIPE 487.5" OUTBOARD, PORT & STARBOARD (1 & 2D9089)				
		Spares for:-				
3671	9D9088	Angle, bottom, port	1	DTD364B	MR/C	
	10D9088	Angle, bottom, starboard	1	DTD364B	MR	
	5D9089	Angle, inboard, port	1	DTD364B	MR	
	6D9089	Angle, inboard, starboard	1	DTD364B	MR	
	3D9089	Angle, top, port	1	DTD364B	MR	
	4D9089	Angle, top, starboard	1	DTD364B	MR	
3674	19D9088	Angle, joint	1	DTD124A	MR/C	
3675	20D9088	Angle, joint	1	DTD124A	MR/C	
10113	8D9088	Angle, outboard, starboard	1	DTD364B	MR/C	
	22D9088	Plate, joint	2	L72	MR	
3673	31D9088	Plate, joint	2	L72	MR/C	
3669	29D9088	Web, bottom, port	1	L72	MR/C	
3670	30D9088	Web, bottom	1	L72	MR/C	
	23D9088	Web, top centre, port	1	L72	MR	
10114	24D9088	Web, top, centre, starboard	1	L72	MR/C	

FUSELAGE  
REAR PORTION

Ref. No.	Part No.	Description	No. off	Matl. Spec.	Cl. of St.	Plate and Illust'n No.
					M.R.	
		1 2 3 4				
		FORMER, JET PIPE, 487.5", OUT-BOARD, PORT AND STARBOARD (1 & 2D9089) (Cont'd)				
	13D9089	Web, top inboard, port .....	1	L72	MR	
	14D9089	Web, top inboard, starboard .....	1	L72	MR	
	15D9089	Web, top outboard, port .....	1	L72	MR	
10045	16D9089	Web, top outboard, starboard .....	1	L72	MR/C	
11862	1D10723	FORMER, JET PIPE, 487.5", INBOARD, PORT, GROUP	1	-	MR/C	JH9/417
	2D10723	FORMER, JET PIPE, 487.5", INBOARD, STARBOARD, GROUP	1	-	MR	JH9/418
		Spares for:-				
3671	9D9088	Angle, bottom, port .....	1	DTD364B	MR/C	
	10D9088	Angle, bottom, starboard .....	1	DTD364B	MR	
	5D10723	Angle, inboard, port .....	1	DTD364B	MR	
	6D10723	Angle, inboard, starboard .....	1	DTD364B	MR	
	7D9088	Angle, outboard, port .....	1	DTD364B	MR	
10113	8D9088	Angle, outboard, starboard .....	1	DTD364B	MR/C	
	3D10723	Angle, top, port .....	1	DTD364B	MR/C	
	4D10723	Angle, top, starboard .....	1	DTD364B	MR	
3674	19D9088	Angle, joint .....	1	DTD124A	MR/C	
3675	20D9088	Angle, joint .....	1	DTD124A	MR/C	
	22D9088	Plate, joint .....	2	L72	MR	
3673	31D9088	Plate, joint .....	2	L72	MR/C	
3669	29D9088	Web, bottom, port .....	1	L72	MR/C	
3670	30D9088	Web, bottom, starboard .....	1	L72	MR/C	
	23D9088	Web, top centre, port .....	1	L72	MR/C	
10114	24D9088	Web, top centre, starboard .....	1	L72	MR/C	
	25D9088	Web, top inboard, port .....	1	L72	MR	
	26D9088	Web, top inboard, starboard .....	1	L72	MR	
	27D9088	Web, top outboard, port .....	1	L72	MR	
	28D9088	Web, top outboard, starboard .....	1	L72	MR	
		PANELS, ACCESS, FOR ELECTRICAL CABLES, PORT AND STARBOARD (1 & 2D11149)				
		Spares for:-				
10540	3D11149	PANEL, ACCESS, INBOARD, GROUP	1	-	B	JH10/419
10541	4D11149	PANEL, ACCESS, INBOARD, STARBOARD, GROUP	1	-	B	JH10/420
		Spares for:-				
10544	14D11149	Panel .....	1	L72	C	JH10/421
26FP/10135	2SS4337	Screw .....	12	-	C	JH10/422
	5D11149	Seal .....	1	DTD762	MR	JH10/423
10542	15D11149	PANEL, ACCESS, OUTBOARD, PORT, GROUP	1	-	B	JH10/424
10543	16D11149	PANEL, ACCESS, OUTBOARD, STARBOARD, GROUP	1	-	B	JH10/425
		Spares for:-				
26FP/10135	21D11149	Panel .....	1	L72	C	JH10/426
	2SS4337	Screw .....	12	-	C	JH10/427
	17D11149	Seal .....	1	DTD762	MR	JH10/428

FUSELAGE  
REAR PORTION

Ref. No.	Part No.	Description				No. off	Mati. Spec.	Cl. of St.	Plate and Illust'n No.
		1	2	3	4			M.R.	
		STRUCTURE, TRAILING EDGE, PORT AND STARBOARD (1 & 2D10704) (Cont'd)							
		RIB, INBOARD ENGINE, 63.5", PORT AND STARBOARD (1 & 2D10711)							JH9/429
		Spares for:—							
	5D10711	Angle, bottom, port			1	L65	MR		
	6D10711	Angle, bottom, starboard			1	L65	MR		
	11D9076	Angle, at former 442.5"			1	L72	MR		
	15D10711	Angle, at former 480"			1	L72	MR		
	17D10711	Angle, at former 480"			1	L72	MR		
	23D9076	Angle, at former 461.5"			1	L72	MR		
	27D10711	Angle, at former 461.5"			1	L72	MR		
	28D10711	Angle, at former 442.5"			1	L72	MR		
	35D10711	Angle, at former 472.5"			1	L72	MR		
	36D10711	Angle, at former 472.5" port			1	L72	MR		
	37D10711	Angle, at former 472.5", starboard			1	L72	MR		
	29D10711	Bracket, at former 487.5", port			1	L72	MR		
	30D10711	Bracket, at former 487.5", starboard			1	L72	MR		
		RIB, CENTRE ENGINE 112.38", PORT AND STARBOARD (36 & 39D9077)							JH9/430
		Spares for:—							
	7D9077	Angle, bottom, port			1	DTD364B	MR		
	37D9077	Angle, bottom, starboard			1	DTD364B	MR		
	24D9077	Angle, at former 487.5" (Pre-Mod. 1392)			2	L72	MR		
22586	45D9077	Angle, at former 487.5" (Mod. 1392)			1	S514	MR/C		
	46D9077	Angle, at former 487.5" (Mod. 1392)			1	S514	MR		
	9D9077	Angle, at former 442.5"			1	L72	MR		
	10D9077	Angle, at former 442.5"			1	L72	MR		
	11D9077	Angle, at former 461.5"			1	L72	MR		
	12D9077	Angle, at former 461.5"			1	L72	MR		
	13D9077	Angle, at former 472.5"			1	L72	MR		
	14D9077	Angle, at former 472.5"			1	L72	MR		
	22D9077	Angle, at former 480"			1	L72	MR		
	23D9077	Angle, at former 480"			1	L72	MR		
		RIB, OUTBOARD, ENGINE 162.5", AND ELEVATOR FILLET (3 & 4D10704)							JH9/434
		Spares for:—							
10547	1F10602	FILLET, ELEVATOR, PORT, GROUP			1	—	MR/C	JH10/432	
10548	2F10602	FILLET, ELEVATOR, STARBOARD, GROUP			1	—	MR/C	JH10/433	
		Spares for:—							
	9F10602	Channel, port			1	L72	MR		
	10F10602	Channel, starboard			1	L72	MR		



FUSELAGE  
REAR PORTION

Ref. No.	Part No.	Description				No. off	Matl. Spec.	Cl. of St.	Plate and Illust'n No.
		1	2	3	4			M.R.	
		SKINNING, BOTTOM SURFACE, BETWEEN RIBS 63.5" & 162.5", PORT AND STARBOARD (1 & 2D10713) (Cont'd)							
	6D9010	Panel, access, to jet pipe fairing cap . . . . . attachment bolts between formers 480"—487" and rib 63.5" and stringer 73, starboard				3	L72	MR	JH11/438
1980	8D9010	Panel, access, to jet pipe fairing cap . . . . . attachment bolts between formers 480"—487" and between stringer 83—73 and 89 to 99, port, 74 to 84 and 90 to 100, starboard				6	L72	C	JH11/439
1981	10D9010	Panel, access, to jet pipe fairing cap . . . . . attachment bolts between former 480"—487" and rib 63.5" and stringer 74, starboard				1	L72	C	JH11/440
1982	12D9010	Panel, access to jet pipe fairing cap . . . . . attachment bolts between formers 480"—487" i/b and o/b of rib 63.5", starboard				3	L72	C	JH11/441
	AS3179/1	PANEL, ACCESS, TO JET PIPE . . . . . ADJUSTING MECHANISM, PORT AND STARBOARD, GROUP				2	—	MR	JH11/442
	28D9010	RING, PANEL REINFORCING, . . . . . GROUP				3	—	MR	JH11/443
	29D9010	RING, PANEL REINFORCING, . . . . . GROUP				3	—		JH11/444
	30D9010	RING, PANEL REINFORCING, . . . . . GROUP				6	—	MR	JH11/445
	31D9010	RING, PANEL REINFORCING, . . . . . GROUP				1	—		JH11/446
	32D9010	RING, PANEL REINFORCING, . . . . . GROUP				1	—		JH11/447
26FP/10135	2SS4337	Screw, panel attachment . . . . .				30	—	C	JH11/448
		SKINNING, INNER, JET PIPE TUNNELS, INBOARD AND OUTBOARD, PORT AND STARBOARD (1 & 2D11162) (Pre-Mod. 1392) (101, 102, 103 & 104D11162) (Mod. 1392) Spares for:—							
	24D11162	Drain, between formers 428A" and . . . . . 452"				2	—	MR	JH8/449

FUSELAGE  
REAR PORTION

Ref. No.	Part No.	Description				No. off	Mati. Spec.	Cl. of	Plate and Illust'n No.
		1	2	3	4			St. M.R.	
		SKINNING, INNER, JET PIPE TUNNELS, INBOARD AND OUTBOARD, PORT AND STARBOARD (D11162) (Cont'd)							
12001	29D11162				Drain, between formers 480"A and 487.5"	2	—	C	JH8/450
5K/1009087	SP40/A10				Grommet, at drain (24D11162)	1	—	C	JH8/451
5K/1058171	SP40/A12				Grommet, at drain (29D11162)	1	—	C	JH8/452
	17D11162				Member, expansion, between formers 428" and 452", top	1	DTD712		JH8/453
	18D11162				Member, expansion, between formers 428" and 452", bottom	1	DTD712	MR	JH8/454
	30D11162				Member, expansion, between formers 428" and 452", bottom	1	DTD712	MR	JH8/455
	9D11162				Skin, inner, top, between formers 452" and 472.5"	1	AVR49 or 50		JH8/456
	10D11162				Skin, inner, bottom, between formers 452" and 472.5"	1	AVR49 or 50		JH8/457
10105	11D11162				Skin, inner, top, between formers 442.5" and 452"	1	AVR49 or 50	C	JH8/458
	12D11162				Skin, inner, bottom, between formers 442.5" and 452"	1	AVR49 or 50	MR	JH8/459
	13D11162				Skin, inner, top, between formers 428A" and 442.5"	1	AVR49 or 50		JH8/460
	14D11162				Skin, inner, bottom, between formers 428A" and 442.5"	1	AVR49 or 50		JH8/461
	32D11162				Skin, inner, top, between formers 472.5" and 487.5"	1	AVR49 or 50		JH8/462
	33D11162				Skin, inner bottom, between formers 472.5" and 487.5"	1	AVR49 or 50		JH8/463
	35D11162				Skin, half, contoured between formers 480A" and 487.5" (Pre-Mod. 1392)	4	DTD171		
	36D11162				Skin, inner, top, between formers 413.5" and 428A"	1	AVR49 or 50		JH8/464
	37D11162				Skin, inner, bottom, between formers 413.5" and 428A"	1	AVR49 or 50		JH8/465
	39D11162				Skin, inner, bottom L.H., between former 480A" and 487.5" (Mod. 1392)	1	S521		JH8/466
	40D11162				Skin, inner, bottom R.H., between formers 480A" and 487.5" (Mod. 1392)	1	S521		JH8/467
	41D11162				Skin, inner, bottom R.H., between formers 480A" and 487.5" (Mod. 1392)	1	S521		JH8/468
	42D11162				Skin, inner, R.H. bottom, between formers 480A" and 487.5"	1	S521		JH8/468A
	43D11162				Skin, inner, top R.H., outboard tunnel, between formers 480A" and 487.5", port (Mod. 1392)	1	S521		JH8/469
	44D11162				Skin, inner, top L.H., outboard tunnel, between formers 480A" and 487.5", starboard	1	S521		JH8/470

FUSELAGE  
REAR PORTION

Ref. No.	Part No.	Description	No. off	Mati. Spec.	Cl. of	Plate and Illust'n No.
					St. M.R.	
		SKINNING, INNER, JET PIPE TUNNELS, INBOARD AND OUTBOARD, PORT AND STARBOARD (D11162) (Cont'd)				
	45D11162	Skin, inner, top L.H., outboard tunnel, . . between formers 480A" and 487.5", port (Mod. 1392)	1	S521		JH8/471
	46D11162	Skin, inner, top L.H., outboard tunnel, . . between formers 480A" and 487.5", starboard (Mod. 1392)	1	S521		JH8/472
	47D11162	Skin, inner, top R.H., inboard tunnel, . . . between formers 480A" and 487.5", port (Mod. 1392)	1	S521		JH8/473
	48D11162	Skin, inner, top R.H., inboard tunnel, . . . between formers 480A" and 487.5", starboard (Mod. 1392)	1	S521		JH8/474
	49D11162	Skin, inner, top L.H., inboard tunnel, . . . between formers 480A" and 487.5", port (Mod. 1392)	1	S521		JH8/475
	50D11162	Skin, inner, top L.H., inboard tunnel, . . . between formers 480A" and 487.5", starboard (Mod. 1392)	1	S521		JH8/476
		SKIN, INNER, BETWEEN FORMERS . . 428A" AND 442.5", INBOARD TUNNELS (4D11162) Consisting of:—				JH8/477
	17D11162	Member, expansion . . . . .	1	DTD712		JH8/478
	34D11162	Shroud, insulation . . . . .	1	—		
	5D10999	Shroud, insulation . . . . .	1	—		
	4aD11162	Skin, forward . . . . .	1	AVR49 or 50	MR	JH8/479
	4bD11162	Skin, rear . . . . .	1	AVR49 or 50		JH8/480
	6D10999	Strip, retaining, 24G x 0.625" x 6" . . .	4	S521		
	7D10999	Strip, retaining, 14G x 0.625" x 39" . .	4	S521		
	97jD11162	Strap, butt . . . . .	8	AVR49 or 50		
	97mD11162	Strap, butt . . . . .	3	AVR49 or 50		
	51D11162	Cover . . . . .	1	—	MR	
	52D11162	Cover . . . . .	1	—	MR	
	53D11162	Cover . . . . .	1	—	MR	
	54D11162	Cover . . . . .	1	—	MR	



VULCAN Mk. 2

FUSELAGE  
REAR PORTION

Page JH. 41

Ref. No.	Part No.	Description	No. off	Matl. Spec.	Cl. of St.	Plate and Illust'n No.
					M.R.	
COMPLEMENTARY ITEMS						
ATTACHMENT FITTINGS, CENTRE PORTION TO REAR PORTION FUSELAGE (4A3096)						
Consisting of:-						
28D/9436920	A25/1C	Bolt, 2 BA	34	-	C	
28D/1200119	A25/4C	Bolt, 2 BA	20	-	C	
28D/9133013	A25/5C	Bolt, 2 BA	2	-	C	
28D/7002428	A25/6C	Bolt, 2 BA	2	-	C	
28D/1011019	A25/8C	Bolt, 2 BA	4	-	C	
28D/1011238	A25/3E	Bolt, 1/4" BSF	120	-	C	
28D/1008151	A25/4E	Bolt, 3/4" BSF	62	-	C	
28D/1011240	A25/5E	Bolt, 1/4" BSF	84	-	C	
28D/1008145	A25/6E	Bolt, 1/4" BSF	26	-	C	
28D/1011242	A25/7E	Bolt, 1/4" BSF	2	-	C	
28D/1010031	A25/8E	Bolt, 1/4" BSF	2	-	C	
28D/1011244	A25/9E	Bolt, 1/4" BSF	2	-	C	
28D/7002427	A25/6G	Bolt, 5/16" BSF	16	-	C	
28D/1011257	A25/7G	Bolt, 5/16" BSF	2	-	C	
28D/1018884	A25/9G	Bolt, 5/16" BSF	30	-	C	
28D/1011259	A25/10G	Bolt, 5/16" BSF	4	-	C	
28D/1212386	A25/11G	Bolt, 5/16" BSF	2	-	C	
28D/1212387	A25/14G	Bolt, 5/16" BSF	4	-	C	
28D/14218	A30/9G	Bolt, 5/16" BSF	6	-	C	
28D/1212756	A25/9J	Bolt, 3/8" BSF	8	-	C	
28D/9435055	A59/11J	Bolt, 3/8" BSF	4	-	C	
28D/19749	A59/11L	Bolt, 7/16" BSF	4	-	C	
	A59/11N	Bolt, 1/2" BSF	4	-	C	
28D/1213530	A25/12P	Bolt, 9/16" BSF	2	-	C	
28D/8337	AS1248/1B	Bolt, mush. hd., 4 BA	1	-	C	
28D/9140202	AS1246/1C	Bolt, 2 BA	4	-	C	
28D/9137409	AS1246/2C	Bolt, 2 BA	4	-	C	
28D/9140203	AS1246/3C	Bolt, 2 BA	6	-	C	
28M/1278189	AGS2001/B1	Nut, 4 BA	1	-	C	
28M/1278190	AGS2001/C1	Nut, 2 BA	110	-	C	
28M/9480017	AGS2001/E1	Nut, 1/4" BSF	320	-	C	
28M/10291	AGS2001/G1	Nut, 5/16" BSF	62	-	C	
28M/10292	AGS2001/J1	Nut, 3/8" BSF	6	-	C	
28M/9612071	A27/GC	Nut, 5/16" BSF	2	-	C	
28M/13289	A27/JC	Nut, 3/8" BSF	4	-	C	
28M/15396	A27/LC	Nut, 7/16" BSF	4	-	C	
28M/14015	A27/NC	Nut, 1/2" BSF	4	-	C	
28M/13415	A27/PS	Nut, 9/16" BSF	2	-	C	
28P/1007741	SP9/C8	Pin, split	6	-	C	
28P/1202461	SP9/E8	Pin, split	2	-	C	
28P/9429652	SP9/E10	Pin, split	8	-	C	
28W/9419474	SP15/B	Washer, 4 BA	1	-	C	
28W/9419454	SP10/C	Washer, 2 BA	14	-	C	
28W/9419475	SP15/C	Washer, 2 BA	110	-	C	
28W/9419404	SP16/C	Washer, 2 BA	8	-	C	
28W/9419405	SP15/E	Washer, 1/4" BSF	320	-	C	
28W/9419403	SP13/G	Washer, 5/16" BSF	8	-	C	
28W/9419476	SP15/G	Washer, 5/16" BSF	60	-	C	
28W/9419466	SP13/J	Washer, 3/8" BSF	4	-	C	

FUSELAGE  
REAR PORTION

Ref. No.	Part No.	Description	No. off	Matl. Spec.	Cl. of St.	Plate and Illust'n No.
					M.R.	
		1 2 3 4				
		ATTACHMENT FITTINGS, CENTRE PORTION TO REAR PORTION FUSELAGE (4A3096) (Cont'd)				
28W/9419477	SP15/J	Washer, 3/8" BSF .....	6	-	C	
28W/9419467	SP13/L	Washer, 7/16" BSF .....	4	-	C	
28W/9419468	SP13/N	Washer, 1/2" BSF .....	4	-	C	
28W/9419469	SP13/P	Washer, 9/16" BSF .....	2	-	C	
	18A3096	Washer, special .....	32	-		

VULCAN Mk. 2

FUSELAGE

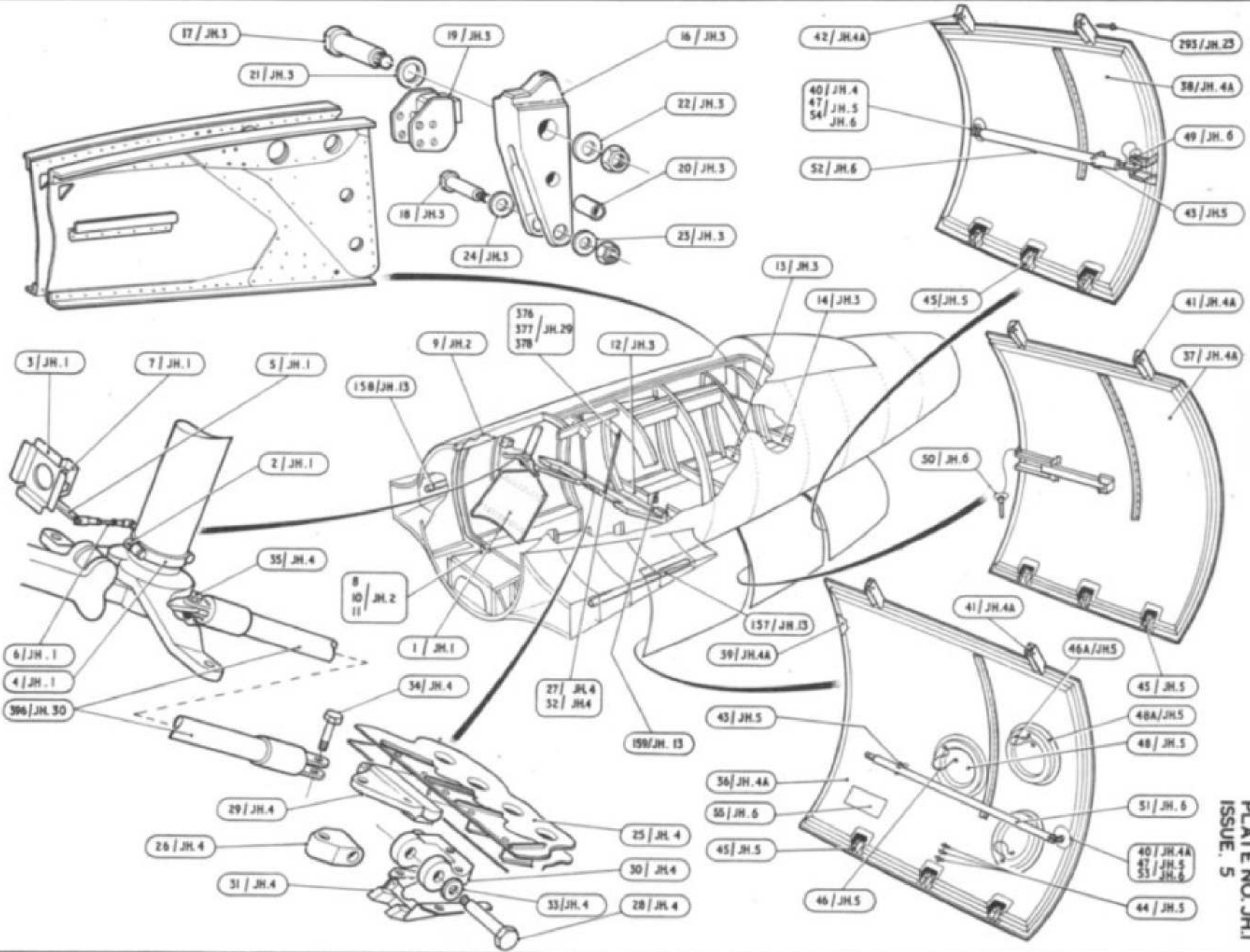
REAR PORTION

SUMMARY OF STANDARD ITEMS

Stores Ref.		No. off	Stores Ref.		No. off	Stores Ref.		No. off
Section	Ref. No.		Section	Ref. No.		Section	Ref. No.	
5CW	3918	2	28D	1010031	2	28M	10244	19
5CW	5824	1	28D	1011019	4	28M	10291	62
5CW	6589	1	28D	1011030	12	28M	10292	6
5CW	6865	3	28D	1011238	126	28M	13289	4
5CW	7412	2	28D	1011240	92	28M	13415	2
			28D	1011242	2	28M	14015	4
			28D	1011244	2	28M	15396	4
5CX	557	1	28D	1011257	2	28M	1006473	2
5CX	2783	1	28D	1011259	4	28M	1011470	1
5CX	3465	1	28D	1200119	24	28M	1011475	44
			28D	7002427	16	28M	1278189	1
			28D	7002428	2	28M	1278190	112
5CY	5371	1	28D	9133011	4	28M	9403520	6
			28D	9133012	32	28M	9480017	320
			28D	9133013	2	28M	9512071	2
5K	1009087	1	28D	9137409	4			
5K	1011139	1	28D	9140202	4			
5K	1200719	1	28D	9140203	6	28N	5549	4
			28D	9435055	4			
			28D	9436920	76			
6A	4102	1				28P	17924	2
						28P	1007741	6
			28E	20104	4	28P	1202461	2
26FP	2453	1	28E	20347	4	28P	5808574	2
26FP	6946	30	28E	3318	4	28P	9429652	8
26FP	10114	1	28E	10154	6	28P	9451803	1
26FP	10135	60	28E	14211	2			
26FP	13421	6	28E	1006378	3			
26FP	14665	2	28E	19823	26	28R	13514	18
26FP	15023	1	28E	9513854	1			
						28S	1013430	4
26TA	12081	3	28F	1013401	1	28S	9435886	3
26TA	60126	16	28F	9128943	1			
			28F	9129085	1			
			28F	9428453	1	28W	9419402	27
28D	8337	1				28W	9419403	8
28D	14218	6				28W	9419404	12
28D	19749	4	28FP	5	1	28W	9419405	364
28D	1007981	4	28FP	9	1	28W	9419454	14
28D	1007982	10	28FP	71	10	28W	9419466	4
28D	1018884	30	28FP	73	9	28W	9419467	4
28D	1212373	20	28FP	107	2	28W	9419468	4
28D	1212386	2	28FP	340	18	28W	9419469	2
28D	1212387	4	28FP	927	1	28W	9419474	1
28D	1212756	8	28FP	2721	4	28W	9419475	196
28D	1213530	2	28FP	6946	16	28W	9419476	60
28D	1008145	26	28FP	13689	28	28W	9419477	6
28D	1008151	80	28FP	9430916	3			
28D	1010030	6	28FP	9438491	8			
			28FP	9455495	13			
			28FP	9483371	11			
			28FP	9488815	3			

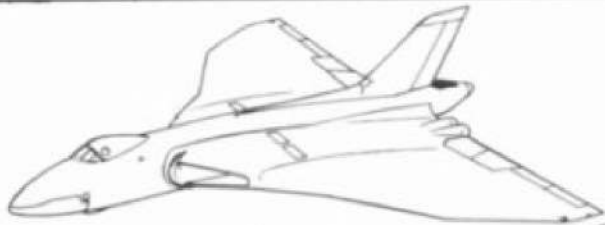
RESTRICTED

PLATE NO. JH1  
ISSUE. 5

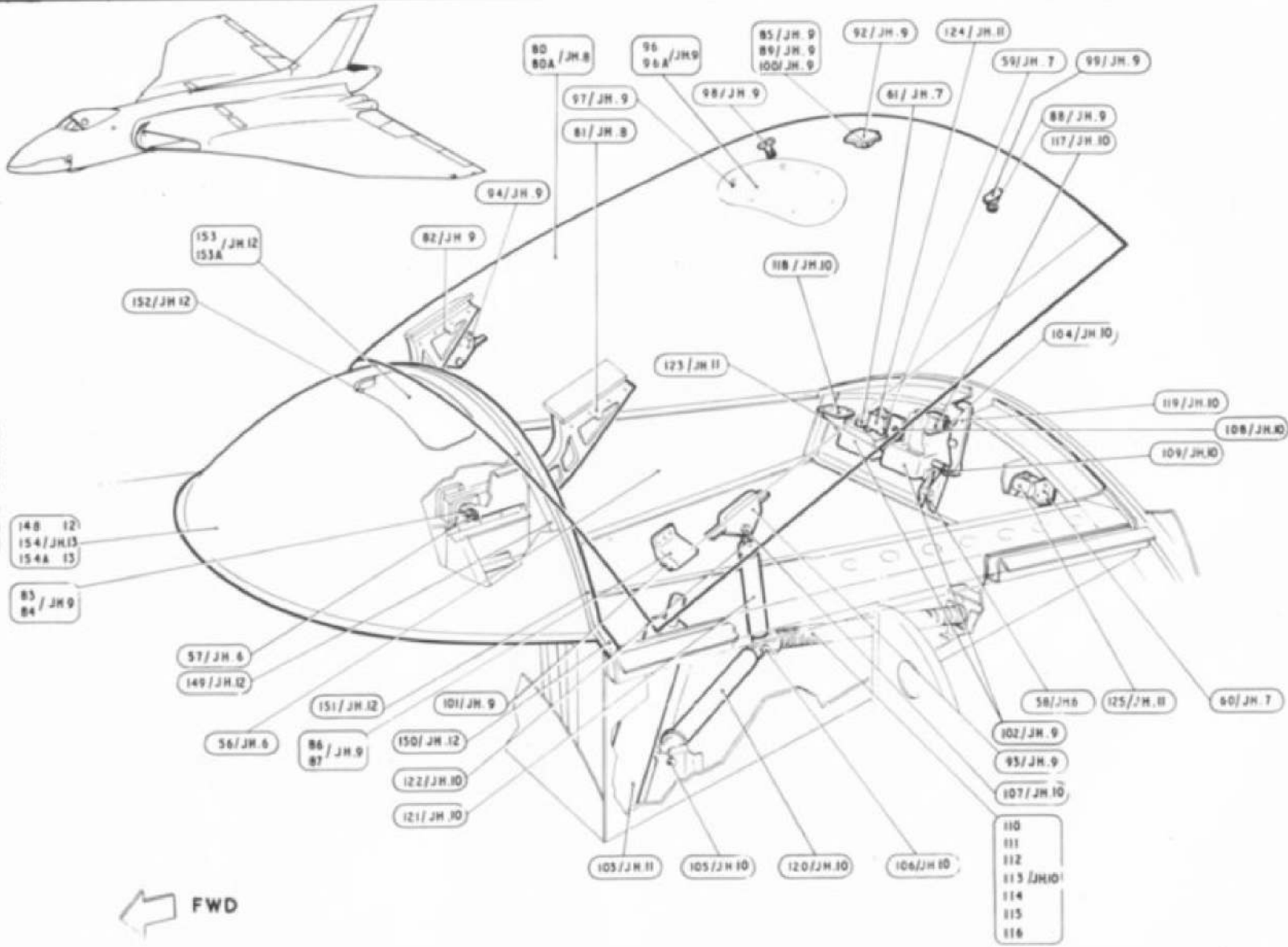


FUSELAGE  
REAR PORTION

RESTRICTED



FUSELAGE  
REAR PORTION



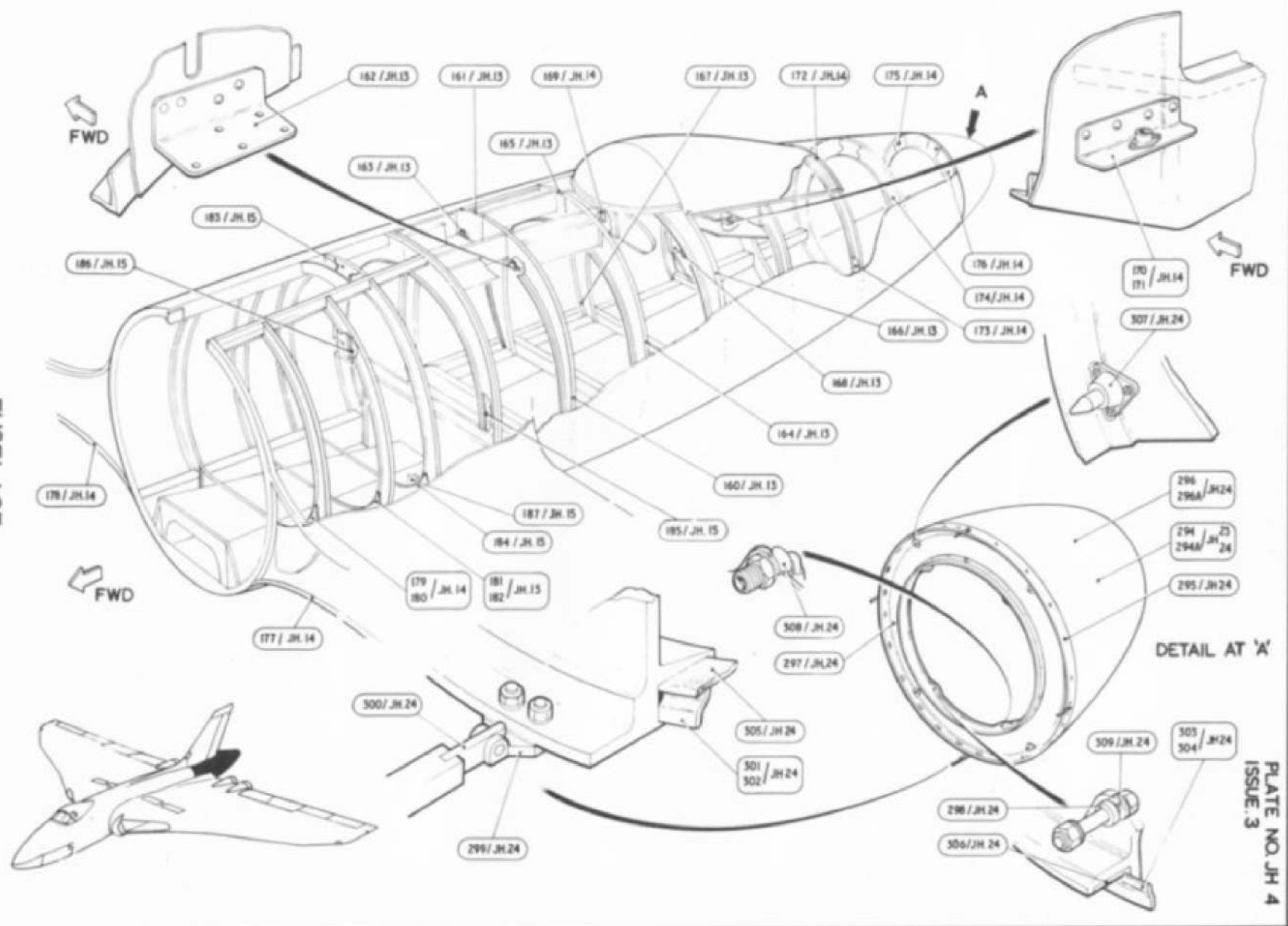
RESTRICTED

RESTRICTED

PLATE NO. JH 2  
ISSUE 3



FUSELAGE  
REAR PORTION



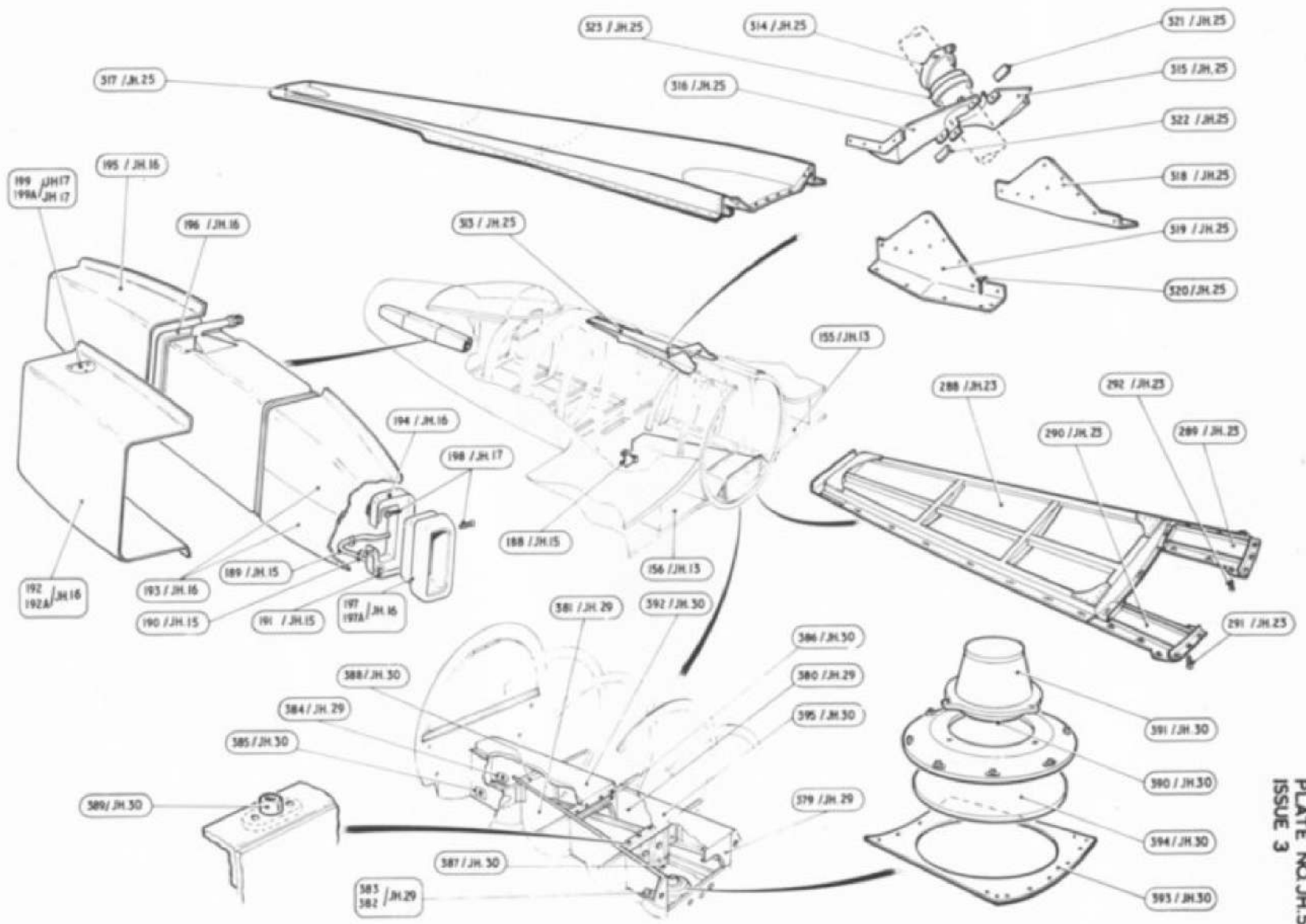
RESTRICTED

RESTRICTED

PLATE NO. JH 4  
ISSUE 3

RESTRICTED

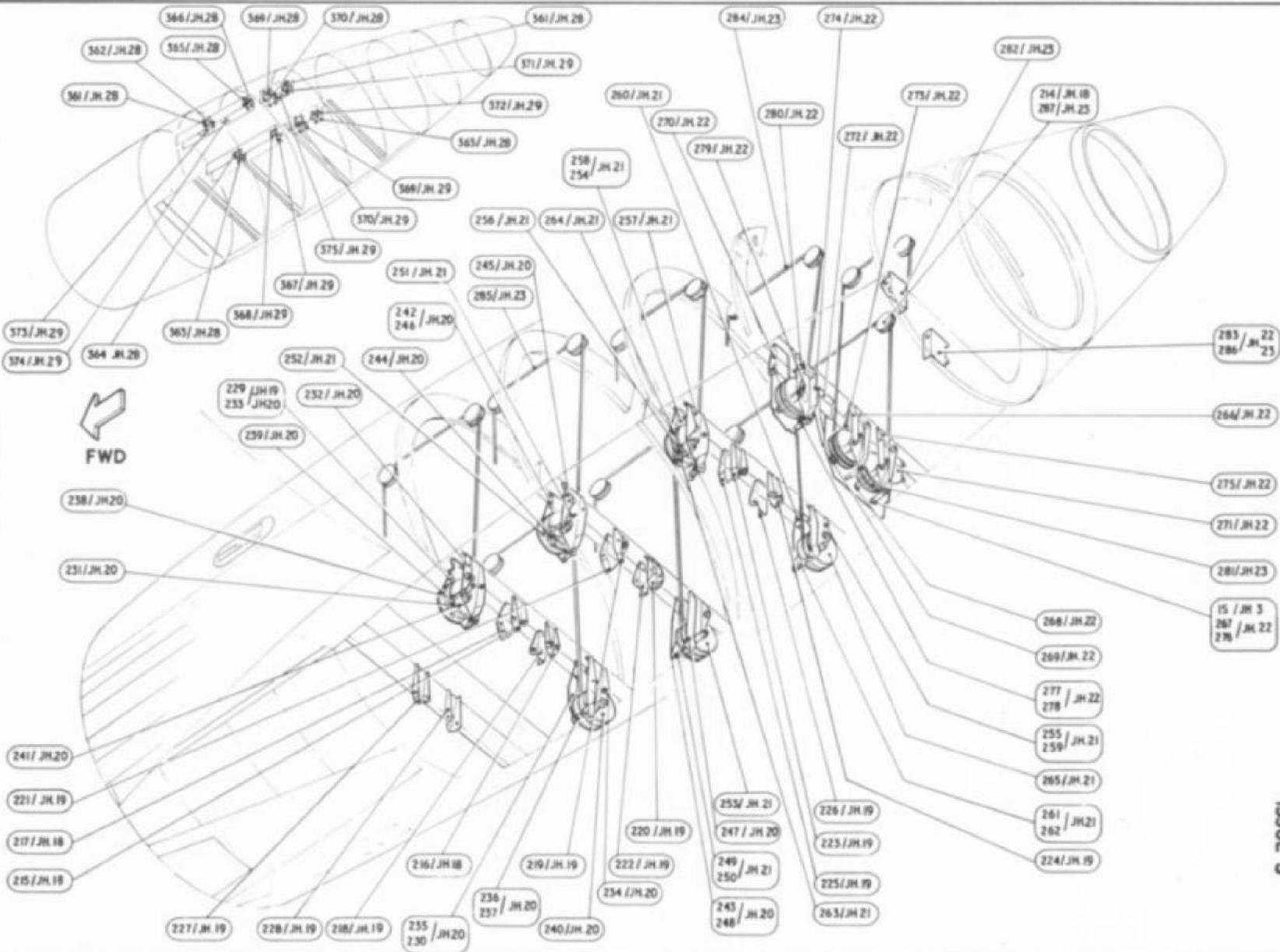
FUSELAGE  
REAR PORTION



RESTRICTED

RESTRICTED

PLATE NO. JH.6  
ISSUE 3



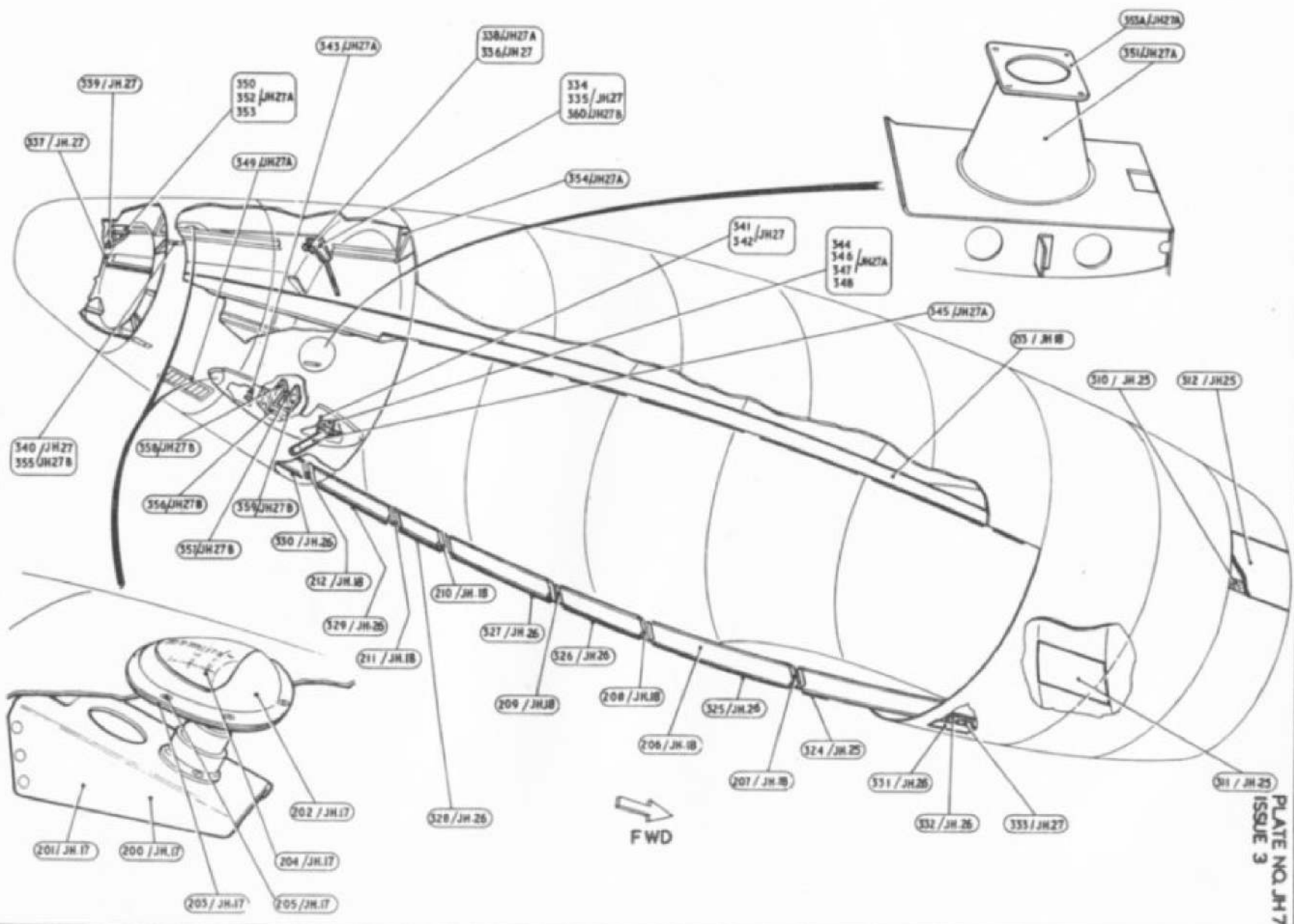
FUSELAGE  
REAR PORTION



RESTRICTED

RESTRICTED

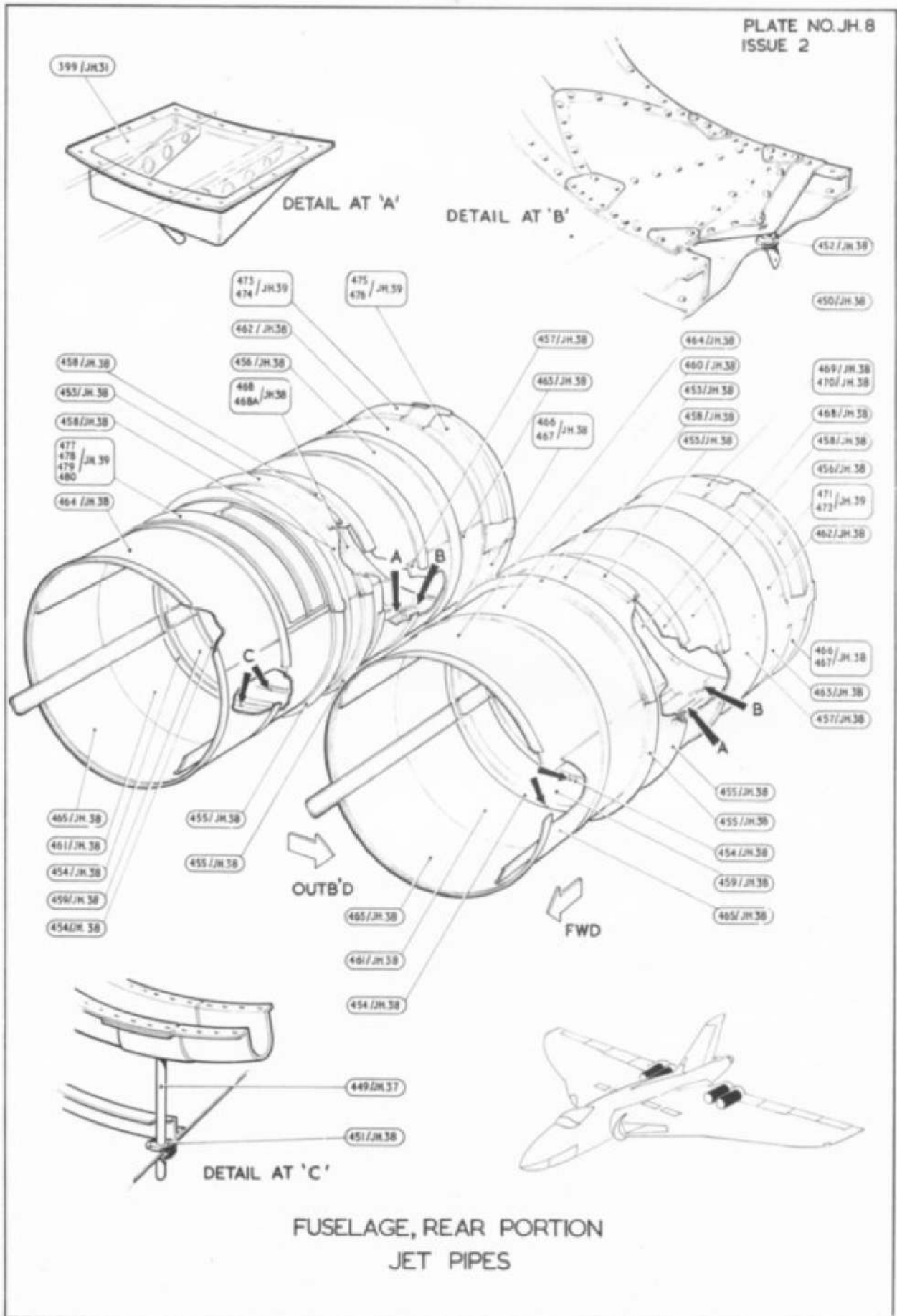
PLATE NO. JH 7  
ISSUE 3



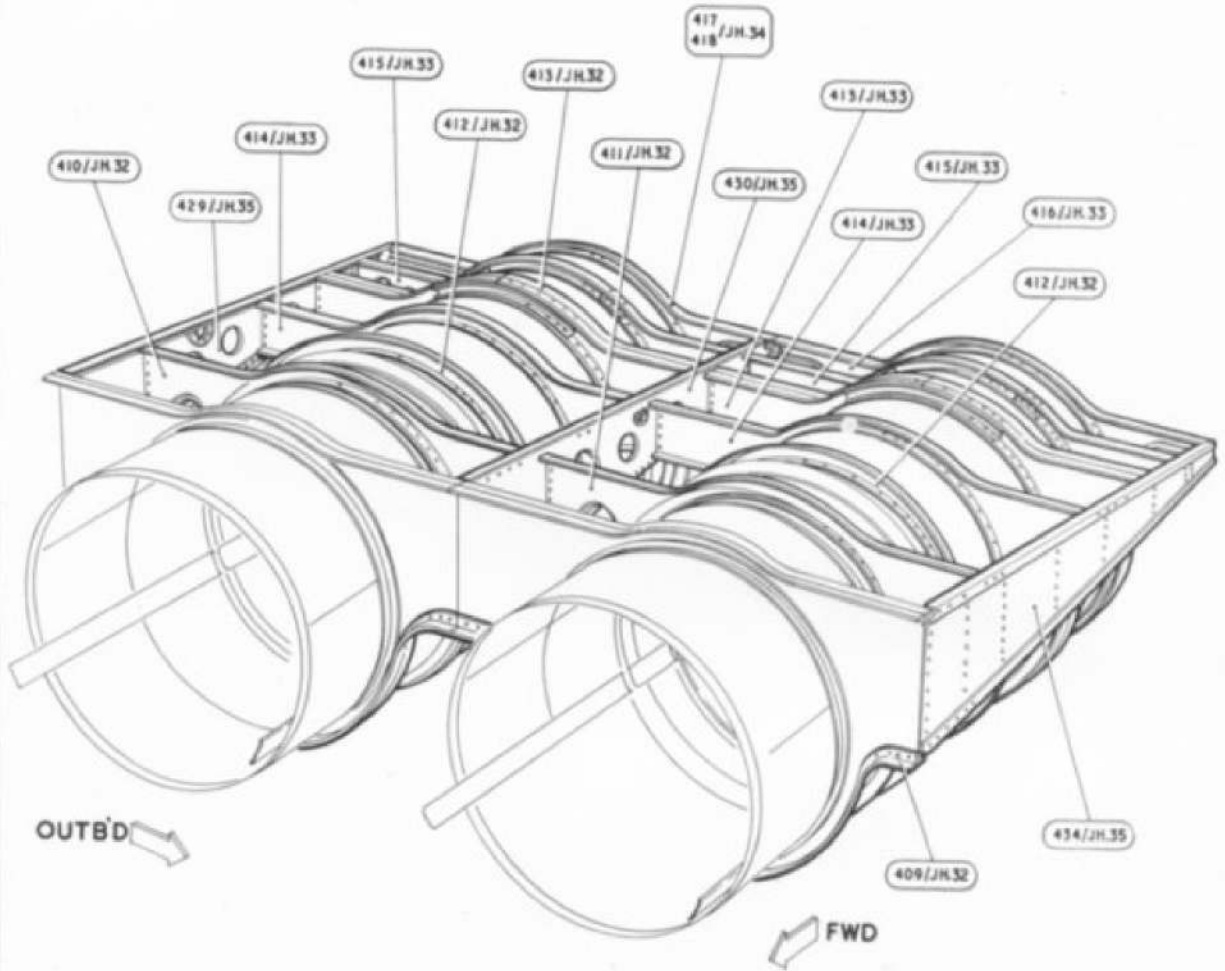
FWD

FUSELAGE  
REAR PORTION

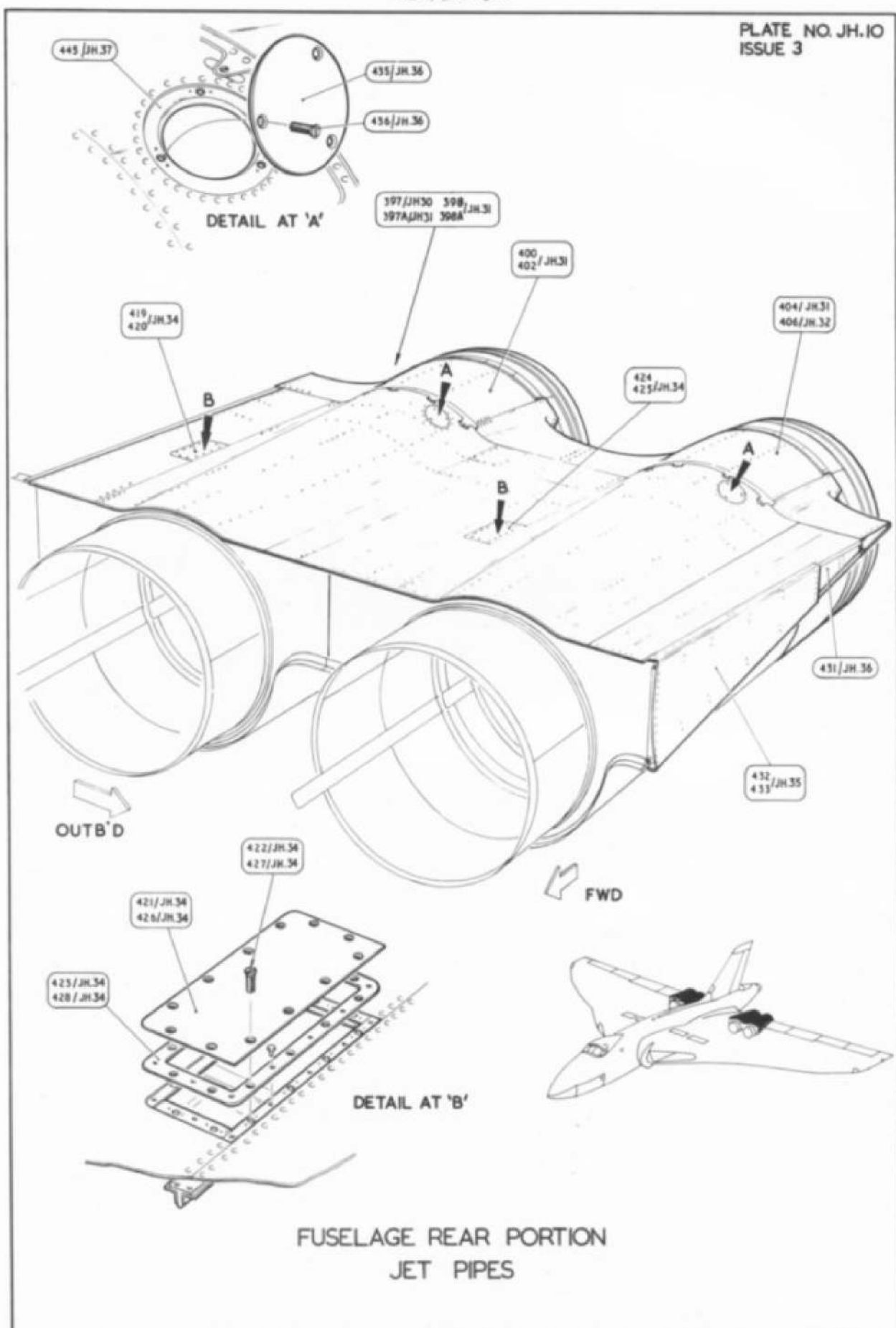
RESTRICTED

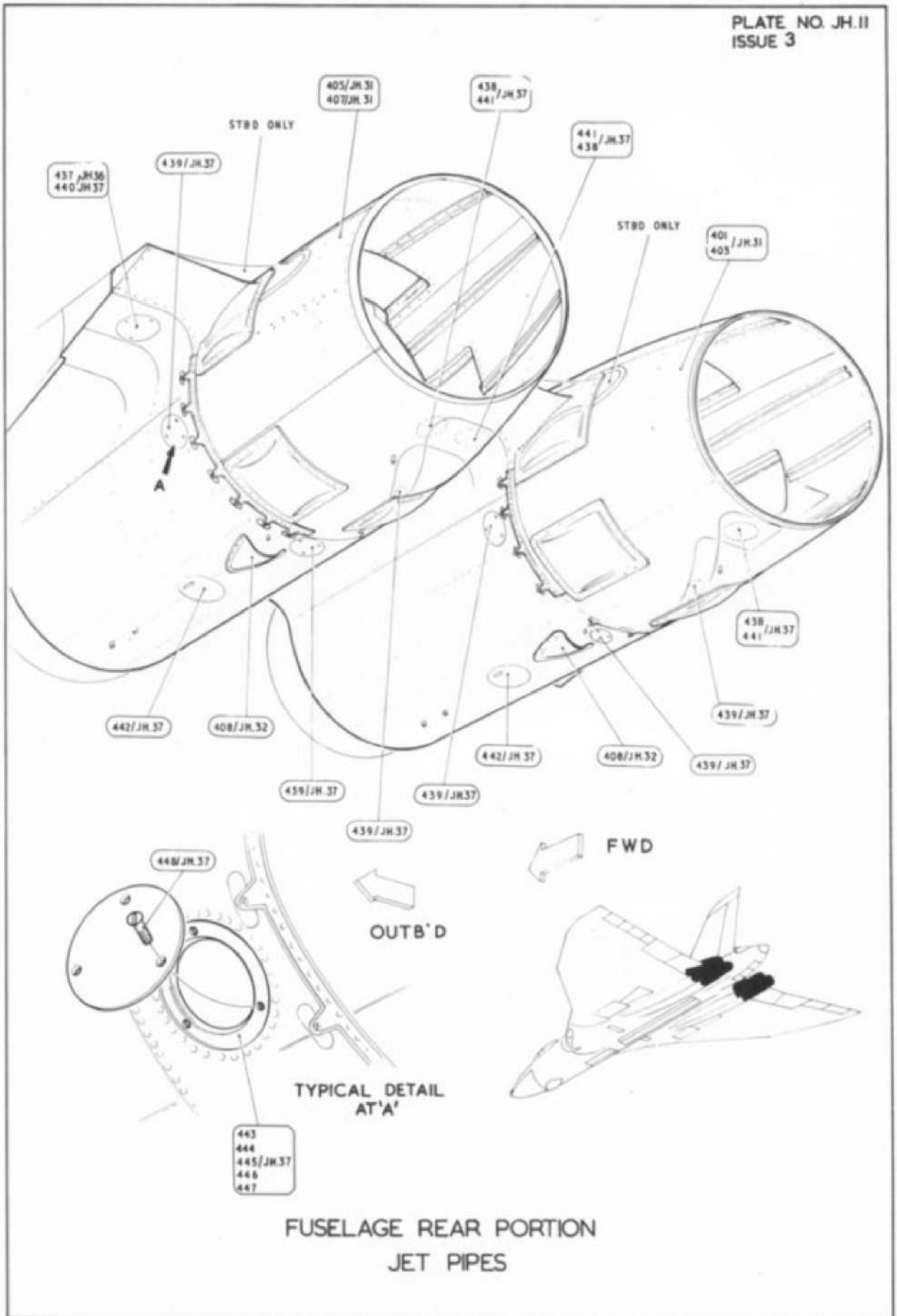


FUSELAGE, REAR PORTION  
JET PIPES



FUSELAGE REAR PORTION  
JET PIPES







The P/Q Family

Why "P/Q"?

The P/Q family of Masks

MCA "Warning Connector"

V-Type Separator

This file was downloaded from the RTFM Library. Link: [www.scottbouch.com/rtfm](http://www.scottbouch.com/rtfm) Please see site for usage terms, and more aircraft documents.