

VULCAN Mk. 2

GROUND EQUIPMENT

Page KB. 1

FLIGHT TOOL KIT

Ref. No.	Part No.	Description	No. off	Matl. Spec.	Cl. of St.	Plate and Illust'n No.
					M.R.	
		1 2 3 4				
4G/6246	—	FLIGHT TOOL KIT (Z9625) Consisting of:— Adapter, inflation, main undercarriage	1	—	A	
5G/6219	DUNLOP AM20895 BOULTON PAUL	Adapter, inner flange removable main wheel .	1	—	B	
27KC/4677308	P100-88-79	Adapter, charging (replenishing P.F.C. units .. in situ)	1	—	A	
	P135-88-1	Adaptor, charging (replenishing P.F.C. units .. in situ)	2	—		
27QM/ 4119010	DOWTY ST2034	Adapter, charging, for hydraulic separator ...	1	—	A	
95399	1Z9893	Adapter, bleeding for brake foot motor	1	—	C	
10S/10793942	1Z11693	Adapter, T.F.R., ground cooling (S.O.O.)	1	—	B	
		(Mod. 2137)				
		ATTACHMENTS ENGINE MOUNTING BOLTS Consisting of:—				
95123	1Z7682	Bar, extension 24" long	4	—	A	
	BRITOOOL A91	Joint, universal	4	—		
	BRITOOOL AD525	Socket, 1/4" whit. long bi-hex	4	—		
	BRITOOOL AD600	Socket, 5/16" whit. long bi-hex	4	—		
		ATTACHMENTS SUNSTRAND NUTS Consisting of:—				
1L/49	—	Bar, extension, 1/2" square drive 12" long ...	2	—	A	
1L/50	—	Handle, ratchet, 1/2" square drive	1	—	A	
	BRITOOOL DT387594	Socket, 1/2" square drive	1	—		
5120-99- 4118956	DOWTY 111 Mk. 31	Bar, tommy, for use with ST2112 and ST2750	2	—	A	
27VA/1047775	DUNLOP ACO5928 MARTIN BAKER	Clamp, bleed, relay valve	4	—	A	
27L/4527551	A/MBEU/3965	Clamp, special, outer cylinder	1	—	A	
95151	1Z7567	Connection, Engine Oil Drum	1	—	B	
95162	1Z9140	DIE, FOR CRIMPING, GROUP	1	—	A	
95420	1Z10235	DIE, CRIMPING, 18 & 24 AMP. FERRULE,	1	—	A	
		GROUP				
4G/8062584	DUNLOP A12700	Equipment, associated and removal rings	1	—	A	
95356	A10195	Extractor, main wheel	1	—	A	
95118	DUNLOP A4793	Extractor, nosewheel	1	—	A	
27G/4618594	DUNLOP AO104181	Extractor, piston brakes	1	—	A	
	1Z9843	Extractor, wing root bolts	1	—	A	

GROUND EQUIPMENT

FLIGHT TOOL KIT

Ref. No.	Part No.	Description	No. off	Mati. Spec.	Cl. of St.	Plate and Illust'n No.
					M.R.	
		1 2 3 4				
95058	1Z7306	EXTRACTOR, FOR PIN IN BOMB DOOR MECHANISM, GROUP	1	—	A	
95414	1Z9251	EXTRACTOR, FOR SHEARPIN BRAKE PARACHUTE, GROUP	1	—	A	
4G/5907	DUNLOP A10351	Frame, basic type removal	1	—	A	
27G/6212	DUNLOP A10366	Fixture, brake alignment	1	—	A	
27A/4560435	DUNLOP AM20065	Gauge, alignment and locating ring cap main wheel	1	—	B	
27L/4527551	MARTIN BAKER O/MBEU/3669	Gauge, protrusion	1	—	B	
27G/4618588	DUNLOP AO102435	Gauge, tension wear, brakes	1	—	B	
4G/5874	—	Gauge, pressure, a/c type check	1	—	A	
95576	1U1995	Gauge, pressure (Mod. 1740)	1	—	A	
27G/4618587	DUNLOP AO103401	Gauge, pad wear	1	—	B	
95508	1Z10423	GAUGE, CHECKING, PARACHUTE RELEASE MECHANISM, GROUP	1	—	A	
1B/4467	TECALEMIT GB2761	Gun, charging, for hydraulic separators	1	—		
4G/5970	—	Gun, charging, P.F.C. unit	1	—	A	
95354	—	Inflator, automatic, a/c tyre	1	—	A	
95415	1Z8597	Key, special, window launching	1	Mild steel	B	
	1Z9692	Key, special, main fuse carrier	1	—	C	
95300	1Z9306	KIT, TOOL, HAND PRESS, FOR BALL RACE, .. SECURING WASHERS IN BOX, GROUP	1	—	A	
95302	1Z9521	Consisting of:— BOX, GROUP	1	—	B	
95342	41Z9306	Bush	1	Mild Steel	B	
95343	42Z9306	Bush	1	Mild Steel	B	
95303	2Z9306	Die, top, for .9014" dia. bearing	1	Tool Steel	A	
95304	3Z9306	Die, top, for .875" dia. bearing	1	Tool Steel	B	
95305	4Z9306	Die, top, for .9375" dia. bearing	1	Tool Steel	A	
95306	5Z9306	Die, top, for .5625" dia. bearing	1	Tool Steel	B	
95307	6Z9306	Die, top, for 1.9375" dia. bearing	1	Tool Steel	A	
95308	7Z9306	Die, top, for 1.375" dia. bearing	1	Tool Steel	A	
95309	8Z9306	Die, top, for 1.4375" dia. bearing	1	Tool Steel	A	
95310	9Z9306	Die, top, for .750" dia bearing	1	Tool Steel	A	
95311	10Z9306	Die, top, for 1.250" dia. bearing	1	Tool Steel	A	
95312	11Z9306	Die, top, for 1.500" dia. bearing	1	Tool Steel	A	
95313	12Z9306	Die, top, for 1.750" dia. bearing	1	Tool Steel	A	
95314	13Z9306	Die, top, for 1.750" dia. bearing	1	Tool Steel	A	
95315	14Z9306	Die, top, for 2.00" dia. bearing	1	Tool Steel	A	
95316	15Z9306	Die, top, for 2.0475" dia. bearing	1	Tool Steel	A	
95317	16Z9306	Die, top, for 1.6875" dia. bearing	1	Tool Steel	A	
95318	17Z9306	Die, bottom, for .9014" dia. bearing	1	Tool Steel	B	
95319	18Z9306	Die, bottom, for .875" dia. bearing	1	Tool Steel	B	
95320	19Z9306	Die, bottom, for .9375" dia. bearing	1	Tool Steel	A	

GROUND EQUIPMENT
FLIGHT TOOL KIT

Ref. No.	Part No.	Description	No. off	Matl. Spec.	Cl. of St.	Plate and Illust'n No.
					M.R.	
		1 2 3 4				
		KIT, TOOL, HAND PRESS, FOR BALL RACE, SECURING WASHERS IN BOX, GROUP (1Z9306) (Cont'd)				
95321	20Z9306	Die, bottom, for .5625" dia. bearing	1	Tool Steel	B	
95322	21Z9306	Die, bottom, for 1.9375" dia. bearing	1	Tool Steel	A	
95323	22Z9306	Die, bottom, for 1.375" dia. bearing	1	Tool Steel	A	
95324	23Z9306	Die, bottom, for 1.4375" dia. bearing	1	Tool Steel	A	
95325	24Z9306	Die, bottom, for .750" dia. bearing	1	Tool Steel	B	
95326	25Z9306	Die, bottom, for 1.250" dia. bearing	1	Tool Steel	A	
95327	26Z9306	Die, bottom, for 1.500" dia. bearing	1	Tool Steel	A	
95328	27Z9306	Die, bottom, for 1.750" dia. bearing	1	Tool Steel	A	
95329	28Z9306	Die, bottom, for 1.125" dia. bearing	1	Tool Steel	A	
95330	29Z9306	Die, bottom, for 2.00" dia. bearing	1	Tool Steel	A	
95331	30Z9306	Die, bottom, for 2.0475" dia. bearing	1	Tool Steel	A	
95332	31Z9306	Die, bottom, for 1.6875" dia. bearing	1	Tool Steel	A	
95333	32Z9306	Die, bottom, for .875" dia. bearing	1	Tool Steel	B	
	43Z9306	Label	1	L57		
95334	33Z9306	Mandrel	1	Tool Steel	B	
95335	34Z9306	Mandrel	1	Tool Steel	B	
95336	35Z9306	Mandrel	1	Tool Steel	B	
	37Z9306	Mandrel	1	Tool Steel		
95339	38Z9306	Mandrel	1	Tool Steel	B	
95340	39Z9306	Mandrel	1	Tool Steel	B	
	36Z9306	NUT, THRUST, GROUP	1	-		
95341	40Z9306	Tool, extracting	1	-	B	
	W. & S. LTD. 779765/1	Washer, retaining	3	-		
	W. & S. LTD. 779765/2	Washer, retaining	3	-		
	W. & S. LTD. 779765/4	Washer, retaining	3	-		
	W. & S. LTD. 779765/6	Washer, retaining	3	-		
	W. & S. LTD. 779765/7	Washer, retaining	3	-		
	W. & S. LTD. 779765/8	Washer, retaining	3	-		
	W. & S. LTD. 779765/9	Washer, retaining	3	-		
	W. & S. LTD. 779765/10	Washer, retaining	3	-		
	W. & S. LTD. 779765/11	Washer, retaining	3	-		
	W. & S. LTD. 779765/12	Washer, retaining	3	-		
	W. & S. LTD. 779765/13	Washer, retaining	3	-		
	W. & S. LTD. 779765/14	Washer, retaining	3	-		
	W. & S. LTD. 779765/15	Washer, retaining	3	-		

GROUND EQUIPMENT

FLIGHT TOOL KIT

Ref. No.	Part No.	Description	No. off	Matl. Spec.	Cl. of	Plate and Illust'n No.
					St.	
		1 2 3 4				
		M.R.				
		KIT, TOOL, HAND PRESS, FOR BALL RACE, SECURING WASHERS IN BOX, GROUP (TZ9306) (Cont'd)				
	W. & S. LTD. 779765/16	Washer, retaining	3	-		
	W. & S. LTD. 779765/17	Washer, retaining	3	-		
95114	1U1189	Pin, setting airbrake	2	-	C	
95160	1D10232	Plate, blanking, for relief valve on forward pressure test D2	1	-	B	
95355	1Z9662	Pliers, special, for fuse removal	1	-	B	
95413	1U1491	PLUG, FOR BREATHER P.F.C. UNITS, GROUP	1	-	A	
4G/6214	DUNLOP AM20752	Ring, adaptor	2	-	B	
95405	2Z9862	Spanner, claw, special extension 1.67" A/F	1	-	A	
95406	3Z9862	Spanner, claw, special extension 1.20" A/F	1	-	A	
95407	4Z9862	Spanner, claw, special extension 1.10" A/F	1	-	A	
95408	5Z9862	Spanner, claw, special extension 1.01" A/F	1	-	A	
95409	6Z9862	Spanner, claw, special extension .82" A/F	1	-	A	
95410	7Z9862	Spanner, claw, special extension .60" A/F	1	-	A	
95411	8Z9862	Spanner, claw, special extension .525" A/F	1	-	A	
95412	9Z9862	Spanner, claw, special extension .710" A/F	1	-	A	
27M/8782	AVA127B	Spanner, key for "Avery" self coupling 1/4"	1	-	A	
	AVERY					
	AVA127C	Spanner, key, for "Avery" self coupling 3/8"	1	-		
	AVERY					
	AVA127D	Spanner, key, for "Avery" self coupling 1/2"	1	-		
27L/4527725	MARTIN BAKER O/MBEU/10358	Spanner, Mk. 4. T/R rack plunger cap	1	-	B	
	AVERY					
	AVA127E	Spanner, key, for "Avery" self coupling 5/8"	1	-		
	AVERY					
	AVA127F	Spanner, key, for "Avery" self coupling 3/4"	1	-		
	AVERY					
95059	AVA127K 1Z323	Spanner, key, for "fuel" system	1	-		
		Spanner, special, coupler for outer wing attachment bolts	1	-	A	
1L/28	-	Spanner, standard, double ended, open jaw	1	-	B	
		0 BA x 2 BA				
1L/154	-	Spanner, standard, double ended, open jaw	1	-	B	
		1/8" x 3/16" whit.				
1L/24	-	Spanner, standard, double ended, open jaw	1	-	B	
		3/16" x 1/4" whit.				
1L/25	-	Spanner, standard, double ended, open jaw	1	-	B	
		5/16" x 3/8" whit.				
1L/26	-	Spanner, standard, double ended, open jaw	1	-	B	
		7/16" x 1/2" whit.				
1L/59	-	Spanner, standard, double ended, open jaw	1	-	B	
		9/16" x 5/8" whit.				
1L/73	-	Spanner, standard, double ended, open jaw	1	-	B	
		11/16" x 3/4" whit.				

VULCAN Mk. 2

GROUND EQUIPMENT

Page KB. 7

FLIGHT TOOL KIT

Ref. No.	Part No.	Description	No. off	Mati. Spec.	Cl. of St.	Plate and Illust'n No.
					M.R.	
		1 2 3 4				
27L/4527546	MARTIN BAKER A/MBEU/3968	Spanner, auxiliary breech cap	1	—	B	
27L/1300	MARTIN BAKER MBEU/10617 128530	Spanner, canopy jettison gun	1	—	B	
95299	129426 129484	Spanner, special, for refuelling valve ring nut No. 4 tank	1	—		
		Spanner, filler cap windscreen de-icing tank	1	—	C	
27G/4618590	DUNLOP A0102975	Spanner, for auxiliary fuel pump pipe union	1	S11		
		adaptors	1			
27G/4618589	DUNLOP AM20676	Spanner, key for cylinder liner	1	—	B	
27Q/14258	DOWTY ST2112	Spanner, peg for torque tube nut	1	—	B	
27Q/17044	DOWTY ST2750	Spanner, tubular key, for main undercarriage axle nut	1	—	B	
		Spanner, tubular key, for nose undercarriage axle nut	1	—	C	
27UA/1253	7Z9981	Spanner, special peg, Graviner fuse holder nut, E.318	1	—		
		Syringe, for re-oiling plannair blower (for Rover—EAPP)	1	—	A	
27L/1031936	MARTIN BAKER A/MBEU/10240 Z9865	Tester, G switch	1	—	B	
		Tool, beading	1	—		
27L/1046823	MARTIN BAKER MBEU/11038	Tool, cocking Mk. 4	1	—	B	
27L/1046822	MARTIN BAKER A/MBEU/4341	Tool, cocking, drogue gun	1	—	B	
27L/4665807	MARTIN BAKER A/MBCJ/129	Tool, cocking, for canopy jettison unit	1	—	B	
27L/1046816 5X/6462 95161	MARTIN BAKER A/MBEU/5826 CZ72111 129139	Tool, cartridge extractor	1	—	B	
		Tool, hand crimping, heavy duty	1	—	A	
		Tool, hand crimping	1	—	A	
27L/1046921	MARTIN BAKER O/MBEU/1321	Tool, for cocking sear	1	—	B	
27A/4560523	DUNLOP AO.101984	Tool, removal of lockring, main wheel and nose- wheel	1	—	B	
27G/4618591	DUNLOP A10500	Tool, checking loading and extracting spring housing-brakes c/w box	1	—	A	
27A/4251	DUNLOP A0104275	Tool, spacer, ring removal mainwheel	1	—	B	
27Q/12407	DOWTY ST1657	Tool, resetting, for undercarriage switch	1	—	B	

GROUND EQUIPMENT

FLIGHT TOOL KIT

Ref. No.	Part No.	Description	No. off	Matl. Spec.	Cl. of St.	Plate and Illust'n No.
					M.R.	
		1 2 3 4				
4GC/4232222	A42/1	MINI-HOIST, 5 CWT, BRAKE PARACHUTE DOOR (Mod. 2240)	1	—	A	
	1U16501 MARTIN BAKER	Tool, setting, nose entrance door lock	1	—		
27L/4527762	O/MBEU/13935	Tool, special release top latch plunger	1	—	B	
27G/4618466	DUNLOP AM20616	Tube, bleed brakes	1	—	B	
3A/3304	—	Unit, press hydraulic crimping (portable)	1	—	A	
	1Z9997	Tool, special Hydraulic connections	1	—		
95516	1Z10582	Tool, special Windscreen wiper seal fitting	1	—	A	
1433483	TDE82/19/6 DUNLOP	Tool, countersunk	1	—	C	
27G/2927	AM.21347	Tool fitting, and removal of Maxaret	1	—	B	

VULCAN Mk. 2

GROUND EQUIPMENT
HANDLING AND STORAGE

Page KC. 1

Ref. No.	Part No.	Description	No. off	Matl. Spec.	Cl. of St.	Plate and Illust'n No.
					M.R.	
		1 2 3 4				
4GB/4398927	1U1146	HANDLING AND STORAGE Consisting of:— BAR, LOCKING, FOR MAIN WHEEL, GROUP	4	—	A	KC1/1
	2U1146	Hook, adjusting, L.H. thread	1	M/S		
	3U1146	Hook, adjusting, R.H. thread	1	M/S		
	6U1146	Turnbuckle	1	—		
4GB/4398929	1U1148	BAR, LOCKING, FOR NOSEWHEEL, GROUP	2	—	A	KC1/2
	2U1148	Hook, adjusting, L.H. thread	1	M/S		
	3U1148	Hook, adjusting, R.H. thread	1	M/S		
	6U1148	Turnbuckle	1	—		
95566	1U2042	BAR, PICKETING NOSE U/C, GROUP (Mod. 1678)	1	—	A	KC1/3
4GB/4398926	1U1145	CHOCK, MAIN WHEEL, GROUP	4	—	A	KC1/4
4GB/4398928	1U1147	CHOCK, NOSE WHEEL, GROUP	2	—	A	KC1/5
95082	1Z7733	COVER, BOMBaimer's WINDOW, GROUP	1	—	A	KC1/6
95195	1U1357	FRAME, SUPPORT, FOR MAIN UNDER- CARRIAGE UNIT, GROUP	1	—	A	KC1/7
95016	1U1075	Spares for:— Bolt, special, for wheel	4	S96	C	KC1/8
96111	10U1075	WHEEL, GROUP	4	—	A	KC1/9
	106U1075	Consisting of:— Bush, 1-5/8" dia. x 1-11/16" long	1	Brass or Bronze		
	10aU1075	Wheel, 4" dia. x 1-5/8"	1	M/S		
95358	1U1609	FRAME SUPPORT, FOR NOSE-WHEEL UNDERCARRIAGE UNIT, GROUP	1	—	A	KC1/10
96112	11U1075	Spares for:— Bolt, special, for wheel	4	S96	C	KC1/11
96111	10U1075	WHEEL, GROUP	4	—	A	KC1/12
	10bU1075	Consisting of:— Bush, 1-5/8" dia. x 1-11/16" long	1	Brass or Bronze		
	10aU1075	Wheel, 4" dia. x 1-5/8"	1	M/S		

GROUND EQUIPMENT
HANDLING AND STORAGE

Ref. No.	Part No.	Description	No. off	Matl. Spec.	Cl. of St.	Plate and Illust'n No.
					M.R.	
		1 2 3 4				
1433186	1U2186	LEG, SUPPORT, FOR BOMB BAY	4	—	B	KC1/13
		CYLINDRICAL TANK, GROUP (Mod. 2120)				
		Spares for:—				
	17U2186	Bolt, tube	5	—		KC1/14
28D/1213389	A25/3L	Bolt, 7/16" BSF	4	—	C	
	FLEXELLO					
	6/55AMB	Castor, swivel	1	—		KC1/15
	ASTON					
	CHAIN Co.					
	V15	Chain, 16" long	1	—		KC1/16
	V15	Chain, 11" long	1	—		
	V15	Chain, 10" long	1	—		
28M/13553	14U2186	Label	1	—	C	KC1/17
	A27/LP	Nut	4	—	C	
	2U2186	Plate, base	1	—		KC1/18
	3U2186	Plate, gusset	2	—		KC1/19
	4U2186	Plate, support	2	—		KC1/20
4G/4282	AS2436/49	Pin, pip	3	—	C	KC1/21
	13U2186	Ring, split	4	—		KC1/22
28W/9419467	SP13/L	Washer	4	—	C	
95400	1U1623	Rail, guard for E.C.U. charge	4	—	C	
40B/1255	—	Stand, transit, servicing E.C.U.	4	—	A	
40B/1268	—	Stand, transit, servicing Rover A.A.P.P.	—	—	A	
95230	1U1321	STAND, BOMB DOOR, GROUP	1	—	A	KC2/24
		Spares for:—				
	FLEXELLO					
26DL/6010527	6-55RT	Castor (55 series)	2	—	C	KC2/25
	6-55RTL	Castor	2	—		
	12U1321	Label	1	—		
95404	1U1647	STAND, JET PIPE, GROUP	4	—	A	KC2/27
		Spares for:—				
	FLEXELLO					
	855NSGL	Wheel, castoring, direction and locking	4	—		KC2/28
95235	1U1329	Strap, securing hose air conditioning trolley	1	—	A	
95101	1U1239	TROLLEY, FOR CREWS NACELLE, GROUP	1	—	A	KC2/30
		Spares for:—				
4G/2451	3U1239	Body, jacking	4	—	A	KC2/31
	10U1239	Label	1	—		KC2/32
	7U1239	Wheel, castoring No. 1541A	4	—		KC2/33
95100	1U1224	TROLLEY FOR RADOME NOSE, GROUP	1	—	A	KC1/34
		Spares for:—				
	7U1224	Label	1	—		KC1/35
	3U1224	Wheel, castoring 655	2	—	MR	KC1/36
95680	4U1224	Wheel, fixed 688	2	—	C	KC1/37

VULCAN Mk. 2

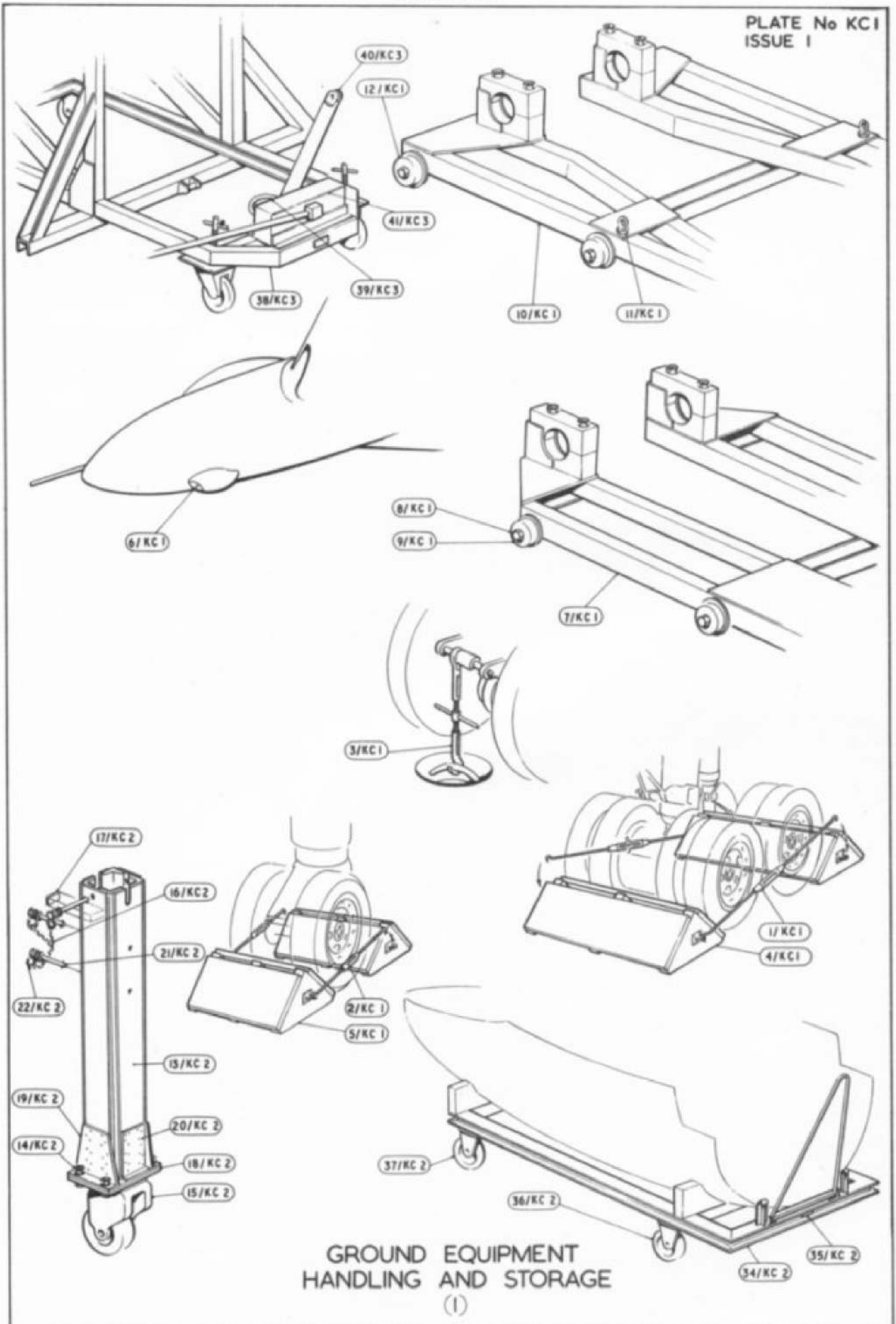
GROUND EQUIPMENT
HANDLING AND STORAGE

Page KC. 3

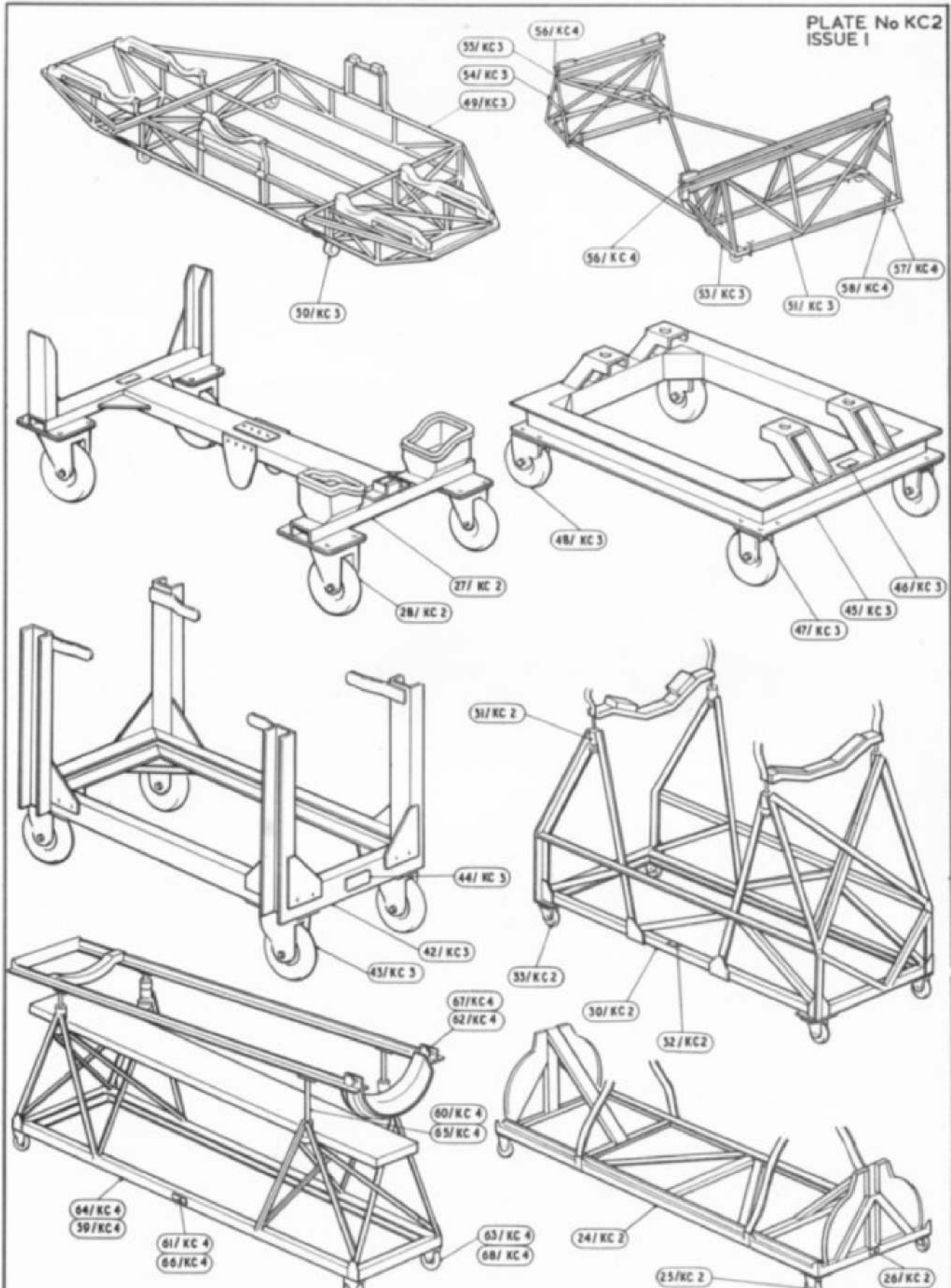
Ref. No.	Part No.	Description	No. off	Mati. Spec.	Cl. of St.	Plate and Illust'n No.
					M.R.	
95149	1U1242	TROLLEY FOR NOSE AND MAIN UNDER- CARRIAGE UNIT, GROUP	1	—	A	KC1/38
		Spares for:—				
	7U1242	Bar, Tommy	4	MS		
96100	10U1242	Pipe, pressure c/w connecting	1	—	C	KC1/39
1432810	9U1242	RAM, HYDRAULIC, GROUP	1	—	A	KC1/40
		Consisting of:—				
	9GU1242	Bush, 1.015 dia. x 1.5" long	1	Phosphor Bronze		
	9CU1242	Bush, 1.140" dia. x 3.52" long	1	Phosphor Bronze		
	9aU1242	RAM, 0.20243	1	—		
96201	8U1242	Reservoir and pump unit	1	—	A	KC1/41
1505015	5U1242	Screw, adjusting	4	—	C	
95725	6U1242	Wheel, castoring (No. 855S/VT)	4	—	C	
95150	1U1262	TROLLEY, FOR AIR CONDITIONING UNIT, GROUP	1	—	A	KC2/42
		Spares for:—				
	3U1262	Wheel, No. XL514	4	—		KC2/43
	10U1262	Label	1	—		KC2/44
95095	U1238	TROLLEY, FOR GREEN SATIN, GROUP	1	—	A	KC2/45
		Spares for:—				
	7U1238	Label	1	—		KC2/46
1432833	5U1238	Pin, screwed, .75" dia. x 8.45" long	2	MS	C	
95713	3U1238	Wheel, fixed, XLFH51	2	—	C	KC2/47
95679	4U1238	Wheel, castoring, XLFH514	2	—	C	KC2/48
	1U1622	TROLLEY, FOR CENTRE SECTION TRAILING EDGE, GROUP	1	—		KC2/49
	1U544	CASTORING WHEEL AND PIVOT, GROUP, FOR TROLLEYS	4	—		KC2/50
		Spares for:—				
	5U544	Ball, bearing	36	—		
	6U544	Ball, bearing	20	—		
95196	1U1355	TROLLEY, WING, PORT OR STARBOARD, GROUP (Mod. 1474)	1	—	A	KC2/51
		Spares for:—				
	5U1355	Label	1	—		
	1U1131	TRESTLE, INBOARD WING RIB 338.186, GROUP	1	—		KC2/53
	1U1523	TRESTLE, OUTBOARD WING RIB 60.25 GROUP	1	—		KC2/54
		Spares for:—				
4G/2451	—	Body, jack	2	—	A	KC2/55
4G/2457	—	Bracket, type "B"	1	—	A	
4G/2460	—	Bracket, type "B"	1	—	A	

GROUND EQUIPMENT
HANDLING AND STORAGE

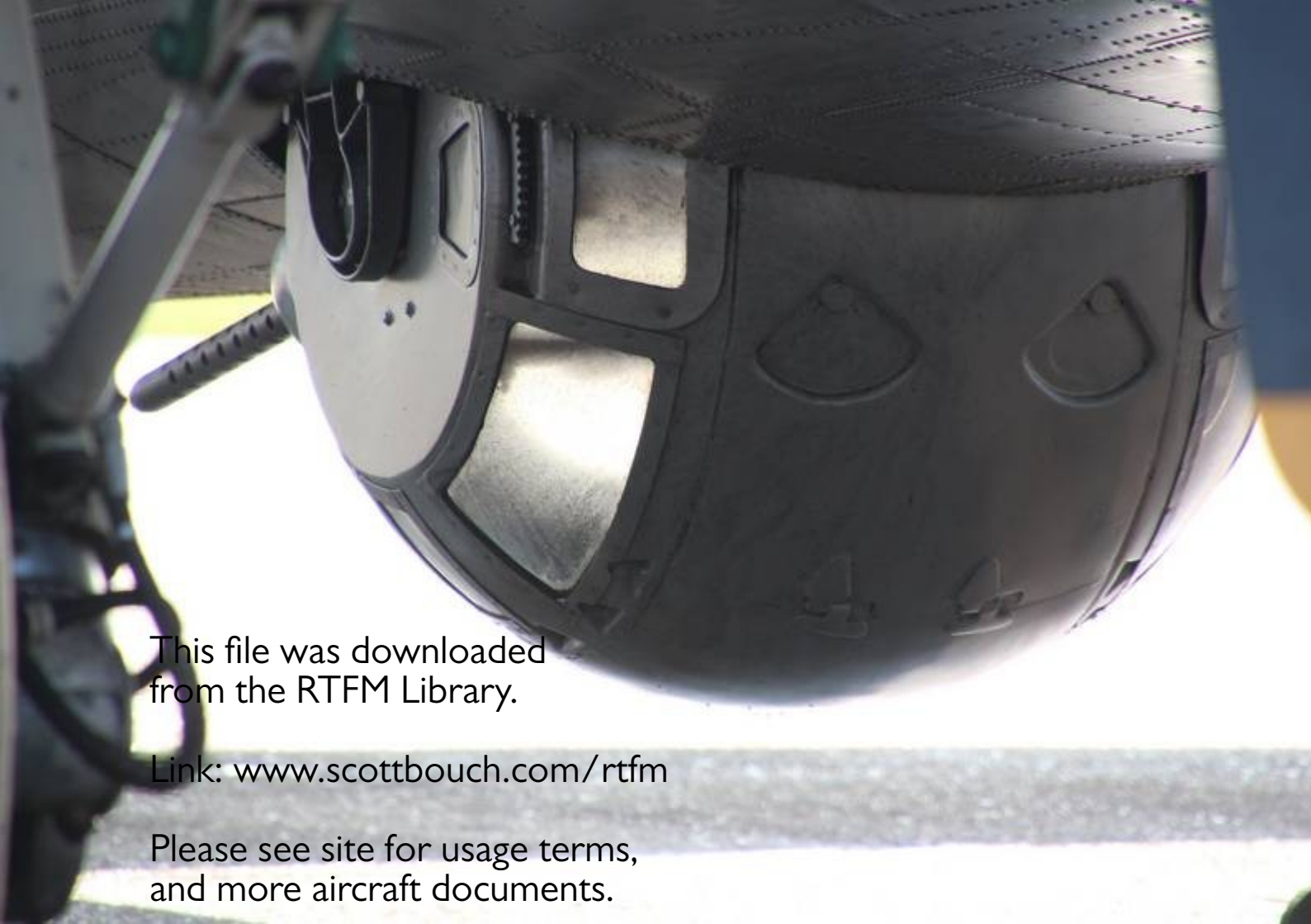
Ref. No.	Part No.	Description	No. off	Matl. Spec.	Cl. of St.	Plate and Illust'n No.
					M.R.	
		1 2 3 4				
		TRESTLE, INBOARD WING RIB & OUTBOARD WING RIB (Cont'd.)				
	43U1131 SLINGSBY A1541A 4U1855	Bolt, special	2	—		KC2/56
		Castor	4	—		KC2/57
		Jack, screw (Mod. 1474)	4	—		KC2/58
		Attachments for 4U1855				
28D/7002427	A25/6G	Bolt	4	—	C	
28M/1202770	AGS2001/G1	Nut	4	—	C	
28W/9419403	SP13/G	Washer	4	—	C	
28M/13553	A27/LP	Nut	2	—	C	
4Q/4230862	—	TROLLEY, TRANSPORTER, GROUP	1	—	A	
95348	1U1535	TROLLEY, JET PIPE, LOW TYPE, OLYMPUS B.O.L.6, GROUP	1	—	A	KC2/59
		Spares for:—				
4G/2451	—	Body, jack	4	—	A	KC2/60
	21U1535	Label	1	L59		KC2/61
	32U1535	WHEEL GROUP	2	—		KC2/62
		Spares for:—				
	32BU1535	Bush	1	Brass		
	32AU1535	Wheel	1	MS		
	HUGHES & CO. 655S/VT	Wheel, castoring	4	—	MR	KC2/63
95361	1U1608	TROLLEY, JET PIPE, HIGH TYPE, OLYMPUS B.O.L.6, GROUP	1	—	A	KC2/64
		Spares for:—				
4G/2451	—	Body, jack	4	—	A	KC2/65
	13U1608	Label	1	—		KC2/66
	32U1535	WHEEL, GROUP	2	—		KC2/67
		Spares for:—				
	32BU1535	Bush	1	Brass		
	32AU1535	Wheel	1	MS		
	HUGHES & CO. 655S/VT	Wheel, castoring	4	—	MR	KC2/28
	1U2276	TROLLEY FOR AIR MONITORING POD GROUP (Mod. 2390 S.O.O.)	1	—		
		Spares for:—				
27FR/1045799	—	Trolley (Ministry supply)	1	—	B	



GROUND EQUIPMENT
HANDLING AND STORAGE
(1)



GROUND EQUIPMENT
HANDLING AND STORAGE
(2)



This file was downloaded
from the RTFM Library.

Link: www.scottbouch.com/rtfm

Please see site for usage terms,
and more aircraft documents.