

VULCAN Mk. 2

GROUND EQUIPMENT

RIGGING

Ref. No.	Part No.	Description	No. off	Mati. Spec.	Cl. of St.	Plate and Illust'n No.
					M.R.	
		1 2 3 4				
		RIGGING EQUIPMENT FOR COMPLET AIRCRAFT				
	1U1763	Consisting of:— ADAPTOR, RIGGING, GROUP	1	—		
95033	1Z7225	JIG INCIDENCE, FOR SETTING RUDDER IN CONTINUITY WITH FIN, RUDDER RIB 18 FIN RIB 11, GROUP	1	—	A	
95481	1Z10297	JIG INCIDENCE, FOR SETTING FIN VERTICALLY, GROUP (Mod. 1048)	1	—	A	
4G/4421168	1U1221	LEVEL, DUMPY, FOR INCIDENCE AND DIHEDRAL CHECKS, GROUP	1	—	A	
95028	1Z7344	PLATE, LEVELLING C/W PLUMB LINE, GROUP	1	—	B	
		Spares for:—				
96099	10Z7344	Cap, screwed	2	Brass	C	
95704	11Z7344	Plumb, bob	1	Brass	C	
95703	9Z7344	Plug, screwed	1	MS	C	
95036	1U1014	ROD, SIGHTING, FOR INCIDENCE AND DIHEDRAL, GROUP	1	—	A	

GROUND EQUIPMENT

RIGGING

Ref. No.	Part No.	Description	No. off	Matl. Spec.	Cl. of St.	Plate and Illust'n No.
					M.R.	
		1 2 3 4				
26FP/1510069	1U2233	ALIGNMENT JIG FOR DECCA 72 ANTENNA UNIT TYPE 9307 C/W BOX (Mod. 2269)			A	
	1D13620	Spares for:— ADJUSTER, FINE, GROUP	1	—		KE1/1
	2D13620	Spares for:— Body	1	S80		KE1/2
	4D13620	Bolt, eye	1	S80		KE1/3
	3D13620	Nut	1	S80		KE1/4
28M/9416046	A103/ET	Nut	1	—	C	
28M/9416050	A103/NT	Nut	1	—	C	
	1U2235	ALIGNMENT JIG, GROUP	1	—		KE1/5
		Spares for:—				
28D/1013301	AS.1248/4C	Bolt, mush. hd., 2 BA	2	—	C	KE1/6
28D/7002428	A25/6C	Bolt, hex. hd., 2 BA	4	—	C	KE1/7
28D/1204937	AS1242/6C	Bolt, csk. hd. 2 BA	6	—	C	KE1/8
	6R4Y539	Bolt, special	1	—		
	8U2235	Dowel, 11/16" x 3/16" dia.	2	MS		
	4U2235	Label	1	—		
26DL/6011717	3U2235	MIRROR BAR, GROUP	1	—	C	KE1/10
	6R4Y533A	MIRROR PLATE, GROUP	1	—		KE1/11
		Spares for:—				
	6R4Y545A	BACKPLATE, GROUP	1	—		
		Spares for:—				
	6R4Y553ND	Plate, back	1	—		
	6R4Y555ND	Plate, side	1	—		
	6R4Y559	Trunnion	1	—		
28S/1008075	A41/B16	Screw, csk. hd., 4 BA	2	—	C	
	6R4Y547A	CLAMP, GROUP	2	—		
	6R4Y549A	NUT, HAND, GROUP	2	—		
		Nut, hand	1	—		KE1/12
26FP/2451	AS2163	Nut, 2 BA	13	—	C	
28M/9403520	A27/CP	Nut, 1/4" BSF	2	—	C	
28M/9512070	A27/EC	Nut, 1/4" BSF	1	—	C	
28M/1011475	A27/EP	Nut, 1/4" BSF	1	—	C	
28M/1011476	A27/JS	Nut, 3/8" BSF	1	—	C	
	2U2235	PLATE, MOUNTING, GROUP	1	—		
	6R4Y815	Pin, hinge	2	—		KE1/14
28P/9527619	SP90/C7	Pin, split	3	—	C	
	5U2235	Rod, screwed	1	—		KE1/15
	6U2235	Shim (Make from Ref. No. 26FC/6726)	AR	—		
28W/9419402	SP13/C	Washer, 2 BA	1	—	C	
28W/9418921	SP13/E	Washer, 1/4"	1	—	C	
28W/9419466	SP13/J	Washer, 3/8"	1	—	C	

GROUND EQUIPMENT
RIGGING

Ref. No.	Part No.	Description	No. off	Matl. Spec.	Cl. of	Plate and Illust'n No.
					St. M.R.	
		1 2 3 4				
		ALIGNMENT JIG, C/W BOX (1U2233) (Mod. 2269) (Cont'd)				
	1U2236	BOX, GROUP	1	-		KE1/16
		Spares for:-				
	2U2236	BOX	1	-		KE1/17
	OAKDEN LTD. C6529	Buffer, rubber	4	-		KE1/18
	WILMOT BREEDON 7/1406	Catch, throw over	2	-		KE1/19
28E/1007418	AS.2294/4	Clip, spring	1	-	C	KE1/20
	BAXENDALE No. 246	Handle, chest	2	-		KE1/21
28N/16453	AS1879/30	Hinge, 3" long	2	-	C	KE1/22
	4U2236	Label	1	-		
	5U2236	Label	1	-		
	3U2236	LID, GROUP	1	-		KE1/23
28N/1046381	SP121/E	Collar	2	-	C	
28P/9486478	SP90/C5	Pin, split	1	-	C	
28P/9529222	SP113/E4-1/2	Pin, shear	1	-	C	
26DL/6011395	6R4Y365A	ALIGNMENT MIRROR, C/W BOX (Mod. 2269) Spares for:-	1	-	C	KE1/24
	6R4Y571	BOX	1	-		
	CHENEY & SON 3126	Clasp, case	2	-		
26DL/6011744	6R4Y595ND	Glove	1	-	C	
28N/16453	AS1879/30	Hinge	2	-	C	
	6R4Y599	Label	1	-		
	6R4Y601	Label	1	-		
26DL/6011743	6R4Y817	MIRROR, GROUP	1	-	C	
		Spares for:-				
	6R4Y597	Envelope	1	-		
	6R4Y585	Mirror	1	-		

GROUND EQUIPMENT
RIGGING

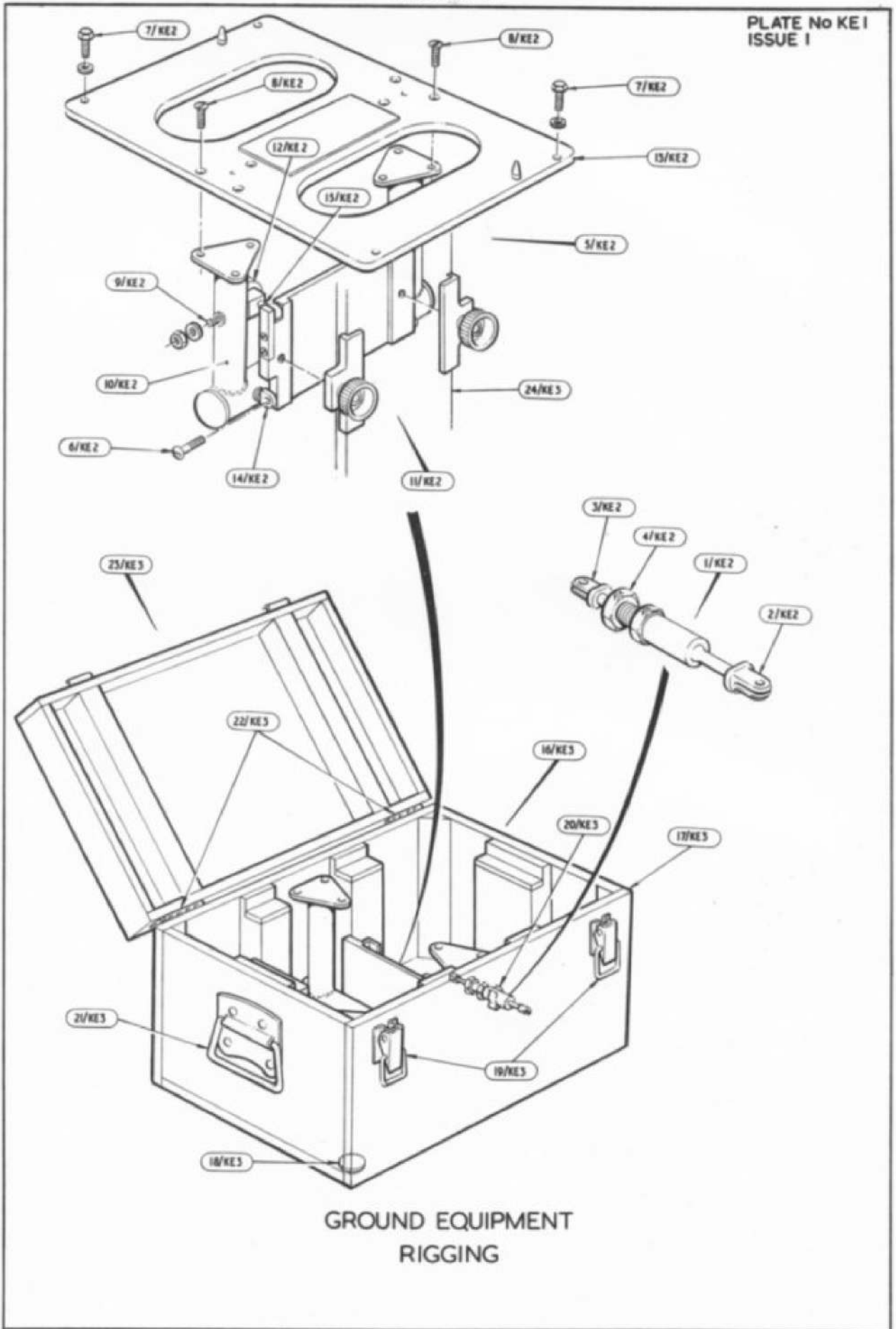
Ref. No.	Part No.	Description	No. off	Mati. Spec.	Cl. of	Plate and Illust'n No.
					St. M.R.	
		1 2 3 4				
26DL/6791		ALIGNMENT JIG, FORE AND AFT FOR FIN CAP AERIALS, C/W BOX (1U2251) (Mod. 2304)				
	1U2257	Spares for:— ALIGNMENT JIG, FORE AND AFT, FIN CAP AERIALS	1	—		KE2/25
	4U2257	Spares for:— ADJUSTER, GROUP	1	—		KE2/26
	4aU2257	Adjuster	1	—		
	AS2163	Hand nut	1	—		
	SP10/E	Washer	1	—		
	A27/EP	Nut, plain	1	—		
	6U2257	BAR, STEADY, GROUP	2	—		KE2/27
	6cU2257	Spares for:— Block, end	4	M.S.		KE2/28
	6dU2257	Bolt, "U"	4	M.S.		KE2/29
	6bU2257	Pin, location	4	M.S.		KE2/30
	6aU2257	Plate, base	1	M.S.		
	6eU2257	Block, support	2	M.S.		KE2/31
	AS1248/4C	Bolt	2	—		KE2/32
	A25/14C	Bolt	8	—		KE2/33
6R4Y539	Bolt, special	1	—		KE2/34	
5U2257	Label	1	Scotchcal			
6R4Y533A	MIRROR, PLATE, GROUP	1	—		KE2/35	
	Spares for:—					
6R4Y545A	BACKPLATE, GROUP	1	—			
	Spares for:—					
6R4Y553ND	Plate, back	1	—			
6R4Y555ND	Plate, side	1	—			
6R4Y559	Trunnion	1	—			
A41/B16	Screw, csk. hd., 4 BA	2	—			
64RY547A	CLAMP, GROUP	2	—			
64RY549A	NUT, HAND, GROUP	2	—			
7U2257	Pin, locking	2	M.S.		KE2/36	
3U2257	Pin, hinge	2	—	C	KE2/37	
D/DHS/69	Shim	AR	—			

GROUND EQUIPMENT
RIGGING

Ref. No.	Part No.	Description	No. off	Matl. Spec.	Cl. of St.	Plate and Illust'n No.
					M.R.	
		1 2 3 4				
		ALIGNMENT JIG, C/W BOX (1U2251) (Mod. 2304) (Cont'd)				
	1U2258	BOX, GROUP	1	—		KE2/38
	3U2258	Spares for:—				
	OAKDEN LTD. C6529	BOX, BASE, GROUP	1	—		KE2/39
	WILMOT BREEDON 7/1406	Buffer, rubber	4	—		KE2/40
	BAXENDALE No. 246	Catch, throw-over	2	—		KE2/41
	AS.1879/4.0	Handle, chest	2	—		KE2/42
	2U2258	Hinge, 4" long	2	—		KE2/43
	5U2258	Label	1	—		
	4U2258	Label	1	—		
		LID, GROUP	1	—		KE2/44

RESTRICTED

PLATE No KE I
ISSUE I

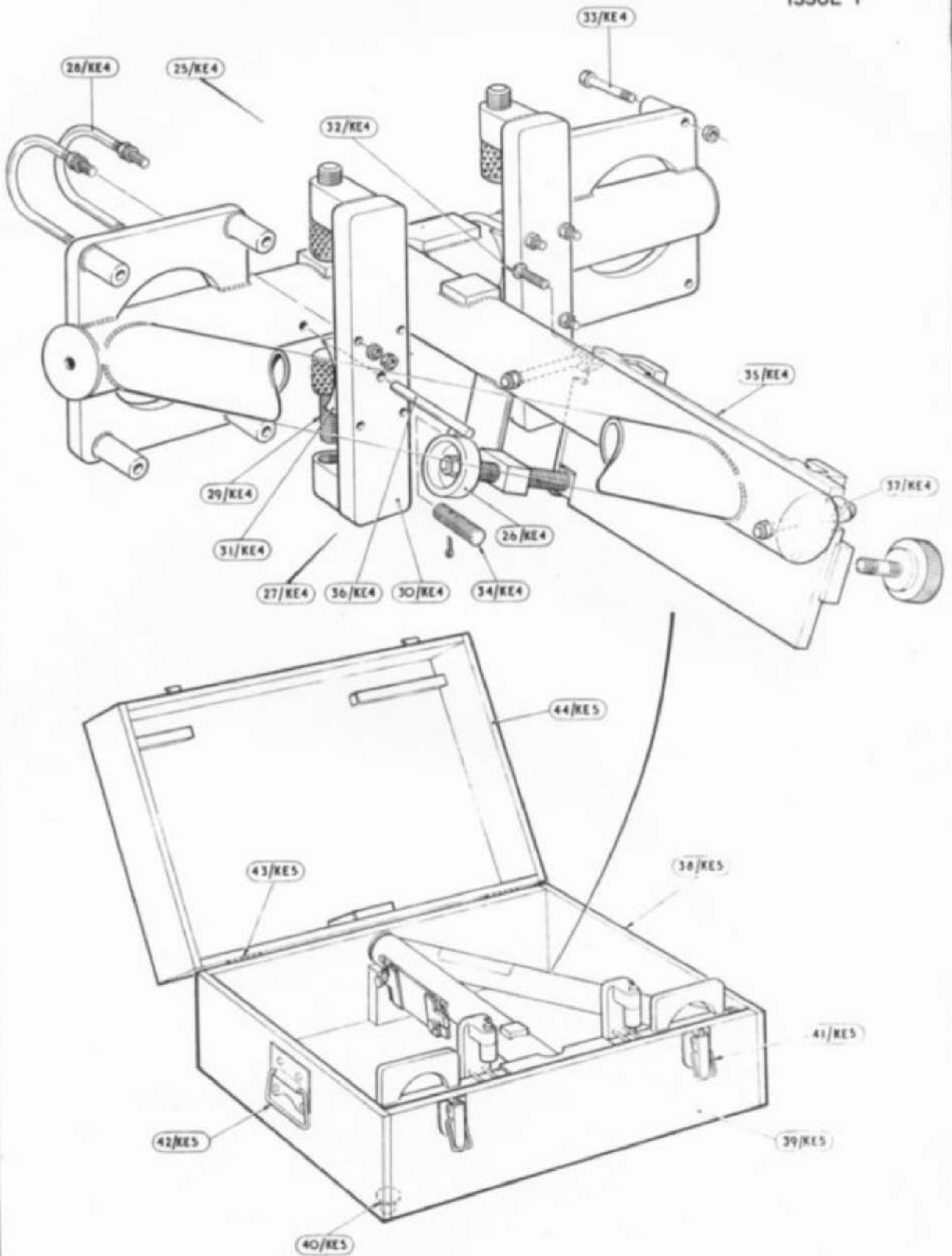


GROUND EQUIPMENT
RIGGING

RESTRICTED

RESTRICTED

PLATE No. KE2
ISSUE 1



GROUND EQUIPMENT
RIGGING

RESTRICTED



This file was downloaded
from the RTFM Library.

Link: www.scottbouch.com/rtfm

Please see site for usage terms,
and more aircraft documents.