

VULCAN Mk. 2

GROUND EQUIPMENT
TESTING AND SERVICING

Page KF. 1

Ref. No.	Part No.	Description	No. off	Matl. Spec.	Cl. of St.	Plate and Illust'n No.
					M.R.	
		1 2 3 4				
6A/2729	—	TESTING AND SERVICING Consisting of:— Amplifier, F.C.A. for use with Z9102	1	—	A	
95249	129260	BAR, SETTING, AILERON & ELEVATOR	1	—	A	KF1/1
		CONTROLS, GROUP Spares for:—				
	1229260	Eyebolt, 1/4" BSF	1	Mild Steel		KF1/2
	1329260	Eyebolt, 2 BA	1	Mild Steel		KF1/3
	429260	Hingepiece, slide bracket	1	Mild Steel		KF1/4
	529260	Hingepiece	1	Mild Steel		KF1/5
	1129260	Label, ident	1	L59		KF1/6
	829260	Pin, hinge 3/16" dia. x .55" long	2	Mild Steel		KF1/7
	929260	Pin, hinge 1/4" dia. x .7" long	2	Mild Steel		KF1/8
	1029260	Screw, wing, slide bracket	1	—		KF1/9
95159	128532	BAR, SETTING, RUDDER PEDALS, GROUP	1	—	A	KF1/10
		Spares for:—				
	828532	Label, ident	1	L59		KF1/11
	628532	Pennant, warning	1	—		KF1/12
95189	1U1589	BOLT-EYE, FOR CANOPY LIFTING,	1	—	A	KF1/13
		GROUP				
95403	U1631	BOX OF EQUIPMENT, FLYING CONTROL	1	—	A	KF1/14
		FORCE, GROUP Consisting of:—				
	129949	BOX, GROUP	1	—		KF1/15
	129507	CABLE, DISCONNECTING, GROUP	1	—		KF1/16
	129508	CABLE, DISCONNECTING, GROUP	1	—		KF1/17
	129509	CABLE, DISCONNECTING, GROUP	1	—		KF1/18
	129510	CABLE, DISCONNECTING, GROUP	1	—		KF1/19
	129511	CABLE, DISCONNECTING, GROUP	1	—		KF1/20
	129810	SET OF MASTER TRACES, GROUP	1	—		KF1/21
	1U1379	TRANSMITTER, CONTROL COLUMN,	1	—		KF1/22
		GROUP				
	1U1380	TRANSMITTER, RUDDER PEDAL PORT,	1	—		KF1/23
		GROUP				
95249	2U1380	TRANSMITTER, RUDDER PEDAL STAR-	1	—	A	KF1/24
		BOARD, GROUP				
	129506	UNIT, MONITOR, COCKPIT, GROUP	1	—		KF1/25

GROUND EQUIPMENT
TESTING AND SERVICING

Ref. No.	Part No.	Description	No. off	Matl. Spec.	Cl. of St.	Plate and Illust'n No.
					M.R.	
		1 2 3 4				
		BOX OF EQUIPMENT, FLYING CONTROL FORCE (U1631) (Cont'd.)				
	1Z8763	UNIT, RECORDING, GROUP	1	—		KF1/26
95295	1U1285	Cable, support (g round electrical connections) ..	2	—		KF1/27
	1U1493	Cap, pressure release (extrn. cabin de-pressurisation)	1	—	B	KF1/28
95401	1U1629	CARRIER & LINKAGES, FLYING CONTROL FORCE, DEFLECTOR PLOTTER TEST SET, GROUP	1	—	A	KF1/29
	1Z9947	Consisting of:— BOX, FOR CARRIER AND LINKAGE MECHANISMS, GROUP	1	—		KF1/30
	1Z8814	CARRIER, AILERON AND ELEVATOR, GROUP	1	—		KF1/31
	1Z8816	CARRIER, RUDDER, GROUP	1	—		KF1/32
	1Z9807	LINKAGE MECHANISM, AILERON AND ELEVATOR, GROUP	1	—		KF1/33
	1Z9809	LINKAGE MECHANISM, RUDDER, GROUP	1	—		KF1/34
95393	1U1624	Connector, test A.A.P.U.	1	—	A	KF1/35
95096	1U1185	GAUGE, TEST, FULL TANK PRESSURISATION, GROUP	1	—	A	KF1/36
	2U1185	Spares for:— Gauge, 0-4 lbs.	1	—		KF1/37
	7U1185	Hose, rubber, 3/16" i/d x 3/8" o/d x 12" long	1	—		KF1/38
	6U1185	Pipe, 22G x 3/16" o/d x 1" long	1	Brass		KF1/39
95362	1Z9729	GAUGE, SETTING, AIR BRAKE FLAP, TOP, GROUP	1	—	A	KF1/40
95363	1Z9730	GAUGE, SETTING, AIR BRAKE BOTTOM, GROUP	1	—	A	KF1/41
95178	1U1358	GAUGE, SETTING, ELEVATOR, INNER, GROUP	1	—	A	KF1/42
95179	1U1359	GAUGE, SETTING, ELEVATOR, OUTER, GROUP	1	—	A	KF1/43
95180	1U1360	GAUGE, SETTING, AILERON, INNER, GROUP	1	—	A	KF1/44

GROUND EQUIPMENT
TESTING AND SERVICING

Ref. No.	Part No.	Description	No. off	Matl. Spec.	Cl. of St.	Plate and Illust'n No.
					M.R.	
		1 2 3 4				
	1V1998	BOX, COMPLETE WITH SIGHTING RODS	1	—		
	1U2178	FOR COMPASS SWINGING (Pre-Mod. 2078) BOX, COMPLETE WITH SIGHTING RODS	1	—		KF2/45
		FOR COMPASS SWINGING (Mod. 2078) Consisting of:—				
	1U1980	BOX, FOR SIGHTING RODS, GROUP	1	—		
		(Pre-Mod. 2078)				
	1U2181	BOX, FOR SIGHTING RODS, GROUP	1	—		KF2/46
		(Mod. 2078) Spares for:—				
	SP59	CATCH, SPRING, GROUP (Pre-Mod. 2078)	3	—		
	WILMOT					
	BREEDON					
	7/1406	Catch, throw over (Mod. 2078)	2	—		KF2/47
	HELLERMAN					
	EC107/S/1007	Handle	1	—		KF2/48
		Attachments for Handle Part No. Hellerman EC107/S1007:—				
28D/1007319	AS1242/4B	Bolt, 4 BA	2	—	C	
28M/1278189	AGS2001/B/1	Nut, stiff, 4 BA	2	—	C	
28W/9419465	SP13/B	Washer, 4 BA	2	—	C	
28N/16453	AS1879/45	Hinge, 4-1/2" long	3	DTD610	C	
	8U1980	Label, outside (Pre-Mod. 2078)	1	L59		
	8U2181	Label, outside (Mod. 2078)	1	—		KF2/49
	7U1980	Label, inside (Pre-Mod. 2078)	1	L59		
	9U2181	Label, inside (Mod. 2078)	1	—		K12/50
	1U1978	ROD, SIGHTING, FRONT, FOR COMPASS .	1	—		
		SWINGING, GROUP (Pre-Mod. 2078)				
95594	1U2179	ROD, SIGHTING, FRONT, FOR COMPASS .	1	—	B	KF2/51
		SWINGING, GROUP (Mod. 2078) Spares for:—				
	7U1978	Bolt, special	1	—		
	4U1978	BRACKET, SUPPORT, GROUP	1	—		KF2/52
	3U1978	Block, clamping	1	MS BAR		KF2/53
	6U1978	Bracket, level mounting (Pre-Mod. 2078) . .	1	—		
	3U2089	Bracket, level mounting (Mod. 2078)	1	MS		KF2/54
	HILGER					
	& WATTS LTD.					
	SA19	Level, with 2 min. bubble	1	—		KF2/55
	4U2179	Label	1	—		KF2/56
	HILGER					
	& WATT LTD.					
	A13	Plate, base for level	1	—		KF2/57
	8U1978	Rod, sighting, front (Pre-Mod. 2078)	1	—		
	2U2179	Rod, sighting, front (Mod. 2078)	1	—		KF2/58
	5U1978	Wheel, locking	1	MS BAR		KF2/59

GROUND EQUIPMENT
TESTING AND SERVICING

Ref. No.	Part No.	Description	No. off	Mati. Spec.	Cl. of St.	Plate and Illust'n No.
					M.R.	
		1 2 3 4				
		BOX, C/W SIGHTING RODS FOR COMPASS SWINGING (1V1998) (Pre-Mod. 2078) (1U2178) (Mod. 2078) (Cont'd)				
95595	1U1979	ROD, SIGHTING, REAR FOR COMPASS ... SWINGING, GROUP (Pre-Mod. 2078)	1	—		
	1U2180	ROD, SIGHTING, REAR, FOR COMPASS ... SWINGING, GROUP (Mod. 2078)	1	—	B	KF2/60
		Spares for:—				
	7U1979	Bolt, special	1	—		KF2/61
	3U1979	Bracket, level mounting (Pre-Mod. 2078) ..	1	—		
	3U2089	Bracket, level mounting (Mod. 2078)	1	—		KF2/62
	4U1979	Block, clamping	1	—		KF2/63
	3U2180	Label	1	—		KF2/64
		HILGER & WATTS LTD. SA.19				
		HILGER & WATTS LTD. A13				
		Level, with 2 min. bubble	1	—		KF2/65
	Plate, base for level	1	—		KF2/66	
	2U1979	Rod, sighting, rear (Pre-Mod. 2078)	1	M.S.		
	2U2180	Rod, sighting, rear (Mod. 2078)	1	M.S.		KF2/67
	6U1979	Wheel, locking	1	M.S.		KF2/68
1433675	1U2230	EQUIPMENT, T.F.R. POD ALIGNMENT	1	—	A	
		(Mod. 2207)				
		Consisting of:—				
	1U2223	BOX, GROUP	1	—		
		Spares for:—				
	WILMOT BREEDON 7/1406					
28N/9486784	AS1879/60	Catch, throw over	3	—		
	2U2220	Hinge, 6" long	3	DTD610	C	
	4U2223	Label	1	—		
		Label	1	—		
	1U2224	FIXTURE, T.F.R. ALIGNMENT	1	—		
		GROUP				
		Spares for:—				
	7U1014	Bob, plumb	2	—		
	5U2224	Label	1	—		
	6D13198	RAIL, POD CARRIER	1	—		
		Spares for:—				
	6aD13198	Rail	1	—		
	6bD13198	Pin	3	—		
28M/1012015	AGS2001/C1/66	Nut, stiff, 1/2"	3	—	C	
	4U2224	Bolt, special	2	—		
28W/9419405	SP15/E	Washer, 1/4"	3	—	C	
	2U2224	Tube, assembly (welded)	1	—		

GROUND EQUIPMENT
TESTING AND SERVICING

Ref. No.	Part No.	Description	No. off	Matl. Spec.	Cl. of	Plate and Illust'n No.
					St. M.R.	
		1 2 3 4				
95181	1U1361	GAUGE, SETTING, AILERON, OUTER, GROUP	1	—	A	KF2/69
95167	1U1280	GUARD, FOR MAIN ENTRANCE DOOR JACKS, GROUP	1	—	C	KF2/70
95359	1U1588	LADDER, SERVICING CREWS NACELLE ACCESS, GROUP	1	—	A	KF2/71
	2U1588	Spares for:— LADDER, FIXED PORTION, GROUP	1	—		KF2/72
	3U1588	LADDER, SLIDING PORTION, GROUP	1	—		KF2/73
	6U1588	Label	1	—		KF2/74
4G/6103	—	Mat, mainplane, large	1	—	B	
	—	Mats, radome	1	—		
		Set				
	1Z9113	PANEL, TEST, STABILISED POWER PACK, .. GROUP	1	—		KF2/75
		Spares for:—				
	SANGAMO WESTON 14Z9113	Ammeter, Q-5A.DC	1	—		KF3/76
	2Z9113 WILCOX LTD.	CONTAINER, GROUP	1	—		KF3/77
	X5344	Fuse, (5 amp.)	2	—		
	12Z9113	Label	1	—		KF3/78
	26Z9113	Label	1	—		KF3/79
	27Z9113	Label	1	—		KF3/80
	28Z9113	Label	1	—		KF3/81
	29Z9113	Label	1	—		KF3/82
	31Z9113	Label	1	—		KF3/83

VULCAN Mk. 2

GROUND EQUIPMENT
TESTING AND SERVICING

Page KF. 5

Ref. No.	Part No.	Description	No. off	Matl. Spec.	Cl. of St.	Plate and Illust'n No.
					M.R.	
		PANEL, TEST, STABILISED POWER PACK (Z9113) (Cont'd)				
	32Z9113	Label	1	—		KF3/84
	33Z9113	Label	1	—		KF3/85
	42Z9113	Label	1	—		KF3/86
	45Z9113	Label	1	—		KF3/87
	46Z9113	Label	1	—		KF3/88
	47Z9113	Label	1	—		KF3/89
	48Z9113	Label	1	—		KF3/90
	SANGAMO WESTON 16Z9113	Milliammeter (p.25 M/amps. DC)	1	—		KF3/94
	DOX LTD 18Z9113	Potentiometer (No. PX25/B)	1	—		KF2/91
96103	BULGIN LTD 19Z9113	Potentiometer (No. 1.V.C. 13)		—	B	KF3/92
96218	BULGIN LTD 40Z9113	Resistor (No. P.R.138)	1	—		KF3/93
	BULGIN LTD 20Z9113	Switch (No. 3261)	2	—		KF3/95
	BELLING LEE 21Z9113	Terminal (No. 1001/1W Black)	1	—		KF3/96
	BELLING LEE 22Z9113	Terminal (No. 1001/1W Red)	1	—		KF3/97
	SANGAMO-WESTON 13Z9113	Voltmeter (0-30V, DC)	1	—		KF3/98
	SANGAMO-WESTON 15Z9113	Voltmeter (0-50V, DC)	1	—		KF3/99
95250	1Z9114	PANEL, TEST, SEQUENCE TIMER C/W CABLES, GROUP	1	—	A	KF3/100
	2Z9114	Spares for:— CONTAINER GROUP				KF3/101
5L/1928	—	Filament lamp	7	—	B	
	19Z9114	Label	1	L59		KF3/102
	20Z9114	Label	1	L59		KF3/103
	20Z9102	Label	1	L59		KF3/104
	26Z9102	Label	1	L59		KF3/105
	27Z9102	Label	1	L59		KF3/106
	28Z9102	Label	1	L59		KF3/107
	29Z9102	Label	1	L59		KF3/108
	30Z9102	Label	1	L59		KF3/109
	31Z9102	Label	1	L59		KF3/110
5CX/1085815	ROTAX H2702	Lamp, warning	7	—	C	KF3/111
	18Z9114 ROTAX	Panel, back	1	L72		KF3/112
5CW/1047690	D5404	Switch	2	—	C	KF3/113
28S/9128950	A32/C/16	Screw, 2 BA	12	—	C	
28S/1009986	A32/B/6	Screw, 4 BA	4	—	C	

GROUND EQUIPMENT
TESTING AND SERVICING

Ref. No.	Part No.	Description	No. off	Matl. Spec.	Cl. of St.	Plate and Illust'n No.	
					M.R.		
		1 2 3 4					
95206	1Z9102	PANEL, TEST, FOR RE-FUELLING PANELS, ... 36P & 37P, GROUP	1	—	A	KF4/114	
5CZ/4350489	66Z9102	Spares for:— Bar, commoning	1	—	C	KF4/116	
	—	Block, terminal 5-way	1	—			
	BELLING LEE	BUSH & COLLAR GROUP (L1004/1L)	1	—		KF4/117	
	91Z9102	CONTAINER GROUP	1	—		KF4/118	
	2Z9103	Cable, 460-453	1	—	MR	KF4/119	
	3Z9103	Cable, 448-455	1	—	MR	KF4/120	
	4Z9103	Cable, 447-454	1	—	MR	KF4/121	
	5Z9103	Cable, 450-457	1	—	MR	KF4/122	
	6Z9103	Cable, 451-458	1	—	MR	KF4/123	
	7Z9103	Cable, 449-456	1	—	MR	KF4/124	
	8Z9103	Cable, amp, supply	1	—	MR	KF4/125	
	9Z9103	Cable, power pack supply	1	—	MR	KF4/126	
	10Z9103	Cable, 452-459	1	—	MR	KF4/127	
	21Z9103	Cable, 552-554	1	—	MR	KF4/128	
	22Z9103	Cable, supply	1	—	B	KF4/129	
	96232	—	Filament lamp	9	—		
	5L/1928	SANGAMO- WESTON	Indicator (No. S.37.1.862)	1	—		KF4/130
59Z9102	Label	1	L59		KF4/131		
14Z9102	Label	1	L59		KF4/132		
15Z9102	Label	1	L59		KF4/133		
16Z9102	Label	1	L59		KF4/134		
17Z9102	Label	1	L59		KF4/135		
18Z9102	Label	1	L59		KF4/136		
19Z9102	Label	1	L59		KF4/137		
25Z9102	Label	1	L59		KF4/138		
26Z9102	Label	1	L59		KF4/139		
27Z9102	Label	1	L59		KF4/140		
28Z9102	Label	1	L59		KF4/141		
29Z9102	Label	1	L59		KF4/142		
30Z9102	Label	1	L59		KF4/143		
31Z9102	Label	1	L59		KF4/144		
32Z9102	Label	1	L59		KF4/145		
33Z9102	Label	1	L59		KF4/146		
34Z9102	Label	1	L59		KF4/147		
35Z9102	Label	1	L59		KF4/148		
36Z9102	Label	1	L59		KF4/149		
37Z9102	Label	1	L59		KF4/150		
38Z9102	Label	2	L59		KF4/151		
39Z9102	Label	1	L59		KF4/152		
40Z9102	Label	1	L59		KF4/153		
41Z9102	Label	1	L59		KF4/154		
42Z9102	Label	1	L59		KF4/155		
43Z9102	Label	1	L59		KF4/156		
44Z9102	Label	1	L59		KF4/157		
62Z9102	Label	1	L59		KF4/158		
64Z9102	Label	1	L59		KF4/159		
65Z9102	Label	1	L59		KF4/159		

GROUND EQUIPMENT
TESTING AND SERVICING

Ref. No.	Part No.	Description	No. off	Matl. Spec.	Cl. of St.	Plate and illust'n No.
					M.R.	
		1 2 3 4				
		PANEL, TEST, FOR REFUELLING PANELS (1Z9102) (Cont'd.)				
	77Z9102	Label	1	L59		KF4/160
	81Z9102	Label	1	L59		KF4/161
	82Z9102	Label	1	L59		KF4/162
	83Z9102	Label	1	L59		KF4/163
	84Z9102	Label	1	L59		KF4/164
	85Z9102	Label	1	L59		KF4/165
	86Z9102	Label	1	L59		KF4/166
	87Z9102	Label	1	L59		KF4/167
	88Z9102	Label	1	L59		KF4/168
	89Z9102	Label	1	L59		KF4/169
	79Z9102	Label	1	L59		KF4/170
5CX/1069	ROTAX H2702	Lamp, warning	9	—	C	KF4/171
	11Z9102	Plate, back	1	L72		KF4/172
	12Z9102	Plate, base	1	L72		KF4/173
5CW/9010256	—	Relay, type S.2	1	—		KF4/174
	—	Relay, type S.4	1	—	C	KF4/175
5CW/1047697	ROTAX 45Z9102	Switch (D5506)	3	—	B	KF4/176
5CW/4400113	50Z9102	Switch, push button (8450/B1)	1	—	B	KF4/177
	80Z9102	Switch (8450/B4)	1	—		KF4/178
	SANGAMO WESTON 51Z9102	Switch, selector (S18-112430)	1	—		KF4/179
	SANGAMO WESTON 52Z9102	Switch, selector (S.18-112429)	1	—		KF4/180
5CW/4407828	ROTAX 4bZ9102	Switch (D5403)	1	—	B	KF4/181
5CW/936	61Z9102	Switch	1	—	B	KF4/182
5CW/1047699	ROTAX 78Z9102	Switch (D5504)	1	—	B	KF4/183
5CW/6209280	ROTAX 72Z9102	Switch (D5404)	1	—	B	KF4/184
	BELLING LEE 90Z9102	Terminal, black (Type L1004/1 2BA)	1	—		KF4/185
28S/9128950	A32/C/16	Screw, 2BA	31	—	C	
28S/9995376	A32/B/20	Screw, 4BA	25	—	C	
4G/4421159	1U1571	RIG, MOBILE TESTING, ALTERNATOR AND ... CSD, GROUP	1	—	A	
	1U1546	RIG, TEST, B.S. HYD.P.D. MOTOR, GROUP ...	1	—		
	1U1894	RIG, TEST, B.S. HYDRAULIC AND REFRIGE- RATION PACKS (Mod. 1897)	1	—		

GROUND EQUIPMENT
TESTING AND SERVICING

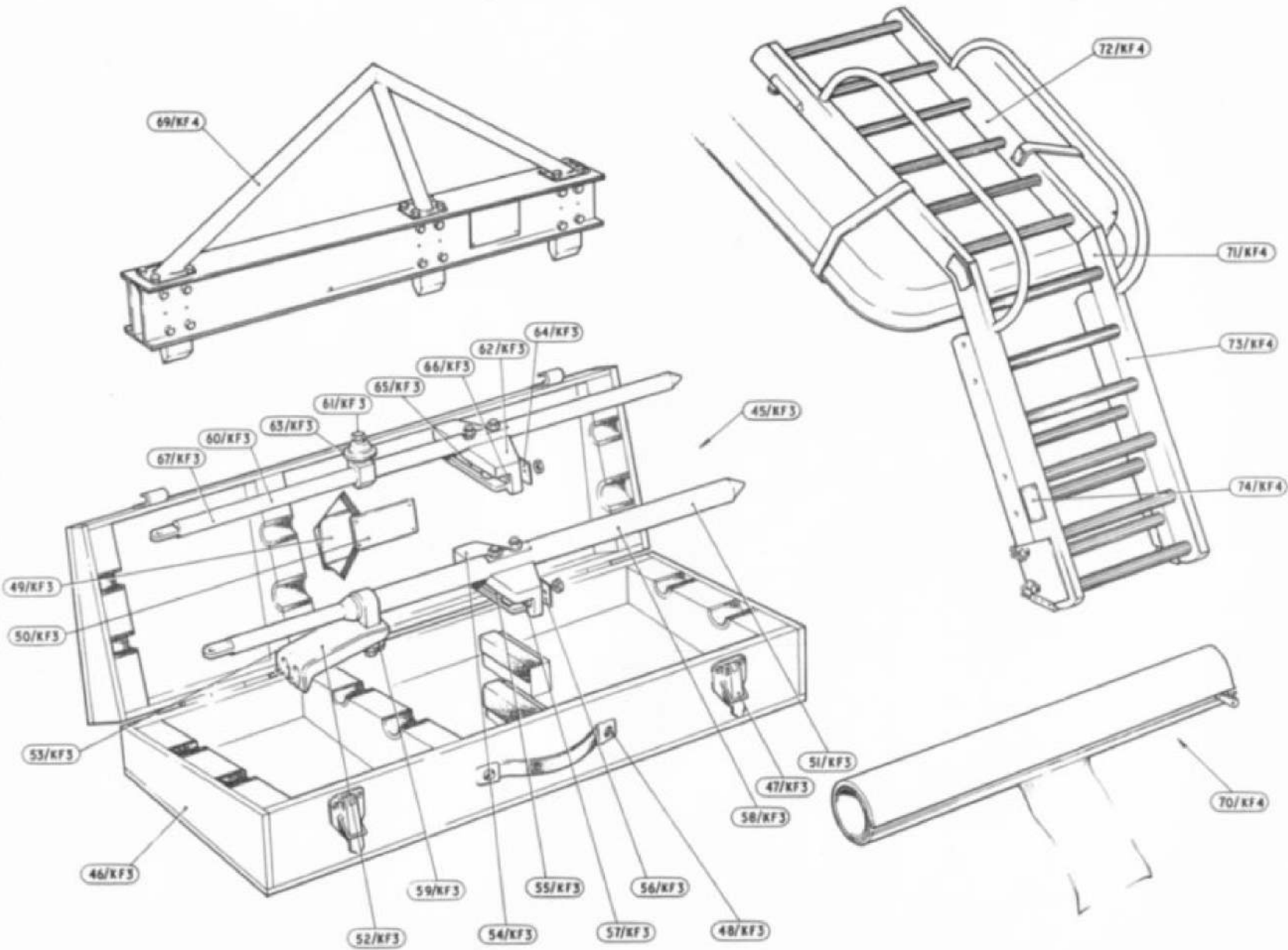
Ref. No.	Part No.	Description	No. off				Matl. Spec.	Cl. of St. M.R.	Plate and Illust'n No.
			1	2	3	4			
	1U1544	RIG, TORQUE TEST, P.F.C. C/W HYD- RAULIC POWER PACK ELECTRIC MOTOR, GROUP	1						
95218	1U1383	SETS, TEST, TANK PRESSURISATION PANEL, GROUP	1				A		
96194	1U2029	SETS, TEST, TANK PRESSURISATION PANEL ADAPTOR, GROUP (Mod. 1738)	1						
	13U2029	Spares for:— Label	1						
95215	1U1339	SETS, TEST, ELECTRICAL AIR BRAKES, GROUP	1				A		
95294	1U1522	SETS, TEST, ELECTRICAL FOR FIRE WARN- ING, U/C NOSE WHEEL STEERING BOMB BAY DOORS AND FUEL SYSTEMS, GROUP	1				A		
	1U1584	SET, TEST, AUTOSTABILISER, GROUP	1						
95217	1U1390	SET, TEST, ARTIFICIAL FEEL UNIT, GROUP	1				A		
96227	20U1390	Spares for:— Gauge, disc (Batey Model No. AL7)	1						
96205	2U1390	Strut	1						
95396	1U1632	STRAP, CHECK, NOSE ENTRANCE DOOR, . . . GROUP	—					KF5/186	
		Spares for:—							
	GREENGATE & IRWELL								
	2U1632	Belt (Balata 2" x 3pg x 12'0" long)	1					KF5/187	
	7U1632	Cord, attachment	1					KF5/188	
	ASTON CHAIN Co.								
	5U1632	Chain, 8" long	1			V15		KF5/189	
	8U1632	GUARD, GROUP	1					KF5/190	
	1U1586	Label	1					KF5/191	
	3U1632	Plate, attachment	4			MS		KF5/192	
	AV. DEV. LTD. A403								
	4U1632	Pin, pip, 1/4" dia.	2					KF5/193	
		Ring, S & G1	5					KF5/194	
95045	1U1011	STRUT, JURY, CANOPY LOCKING, GROUP . .	2				A	KF5/195	
		Spares for:—							
	6U1011	Label	1					KF5/196	

VULCAN Mk. 2

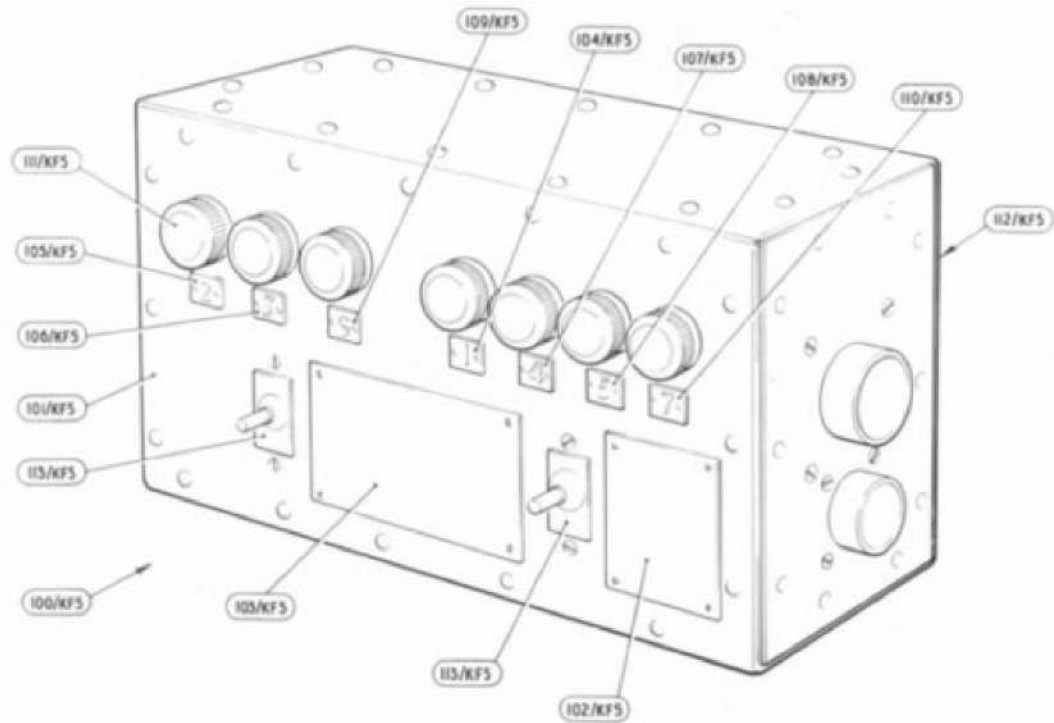
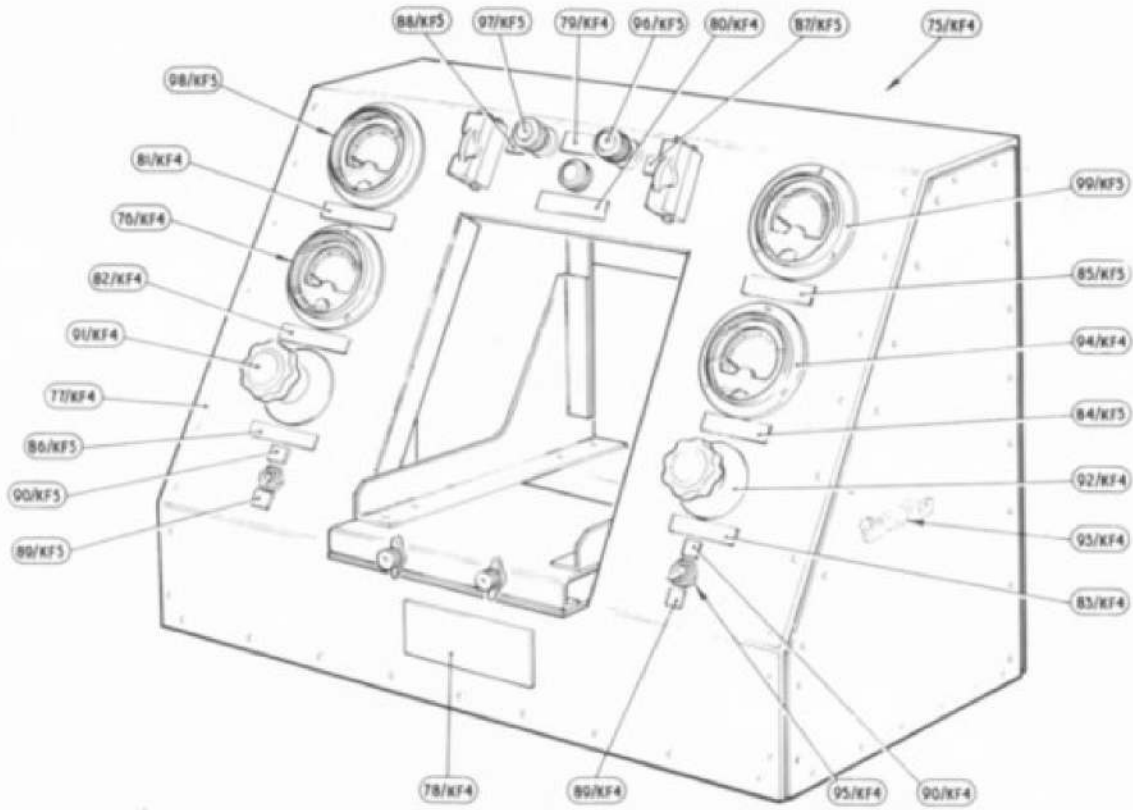
GROUND EQUIPMENT
TESTING AND SERVICING

Page KF. 9

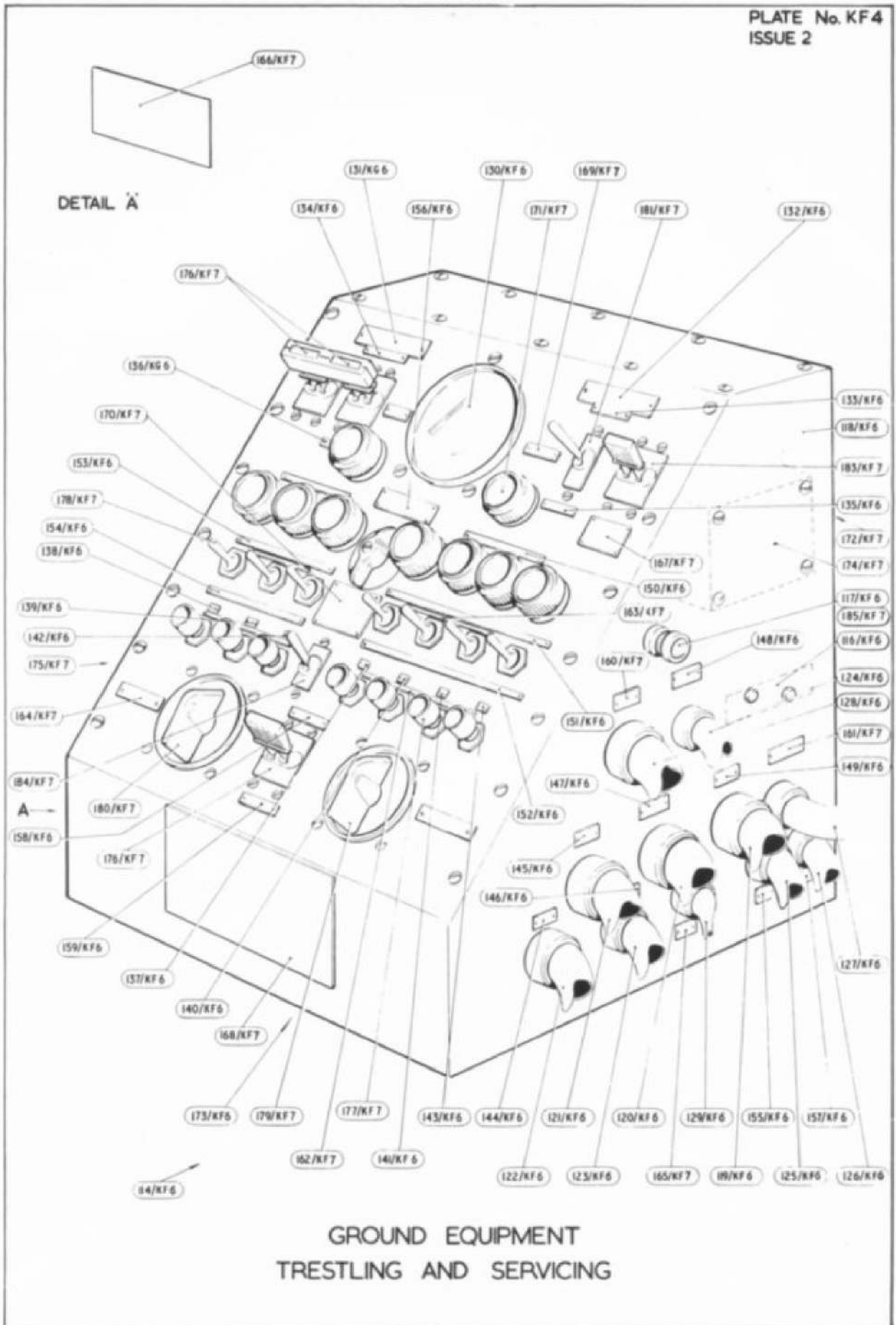
Ref. No.	Part No.	Description	No. off	Matl. Spec.	Cl. of St.	Plate and Illust'n No.
					M.R.	
		1 2 3 4				
95039	1U1053	STRUT, JURY, FOR RUDDER ACTUATOR ... MOTOR, GROUP Spares for:—	1	—	A	KF5/197
	ASTON CHAIN Co.					
	4U1053	Chain, 8" long	1	V9		KF5/198
	5U1053	Label	1	—		KF5/199
	3U1052	Pennant	1	—		KF5/200
28FP/690	AVIATION DEV. A1220	Pin, quick release 3/4" dia.	1	—	C	KF5/201
28FP/817	AVIATION DEV. A1021	Pin, quick release 5/8" dia.	1	—	C	KF5/202
95198	1U1362	STRUT, JURY, FOR AILERON ACTUATOR ... MOTOR, INNER & OUTER, GROUP Spares for:—	4	—	A	KF5/203
	ASTON CHAIN Co.					
	5U1362	Chain, 8" long	2	V9		KF5/204
	3U1362	Label	1	—		KF5/205
	3U1052	Pennant	1	—		KF5/206
28FP/	AVIATION DEV. A1219	Pin, quick release	2	—		KF5/207
	6U1362	Ring, split	4	—		KF5/208
95200	1U1364	STRUT, JURY, FOR ELEVATOR ACTUATOR ... MOTOR, INNER & OUTER, GROUP Spares for:—	4	—	A	KF5/209
	ASTON CHAIN Co.					
	6U1364	Chain, 8" long	2	V9		KF5/210
	3U1364	Label	1	L59		KF5/211
	3U1052	Pennant	1	—		KF5/212
28FP/690	AVIATION DEV. A1220	Pin, quick release	1	—		KF5/213
28FP/1014	AVIATION DEV. A1419	Pin, quick release	1	—		KF5/214
	7U1364	Ring, split		—		KF5/215



TESTING AND SERVICING
FIG. 2



GROUND EQUIPMENT
TESTING AND SERVICING



This file was downloaded
from the RTFM Library.

Link: www.scottbouch.com/rtfm

Please see site for usage terms,
and more aircraft documents.

