

VULCAN Mk. 2

GROUND EQUIPMENT  
TOWING AND STEERING

Page KG. 1

Ref. No.	Part No.	Description	No. off	Matl. Spec.	Cl. of St.	Plate and Illust'n No.
					M.R.	
		1 2 3 4				
95191	1U1342	ARM, TOWING, NOSE, GROUP .....	1	—	A	KG1/1
		Spares for:—				
96158	1U1496	ABSORBER, SHOCK, GROUP .....	1	—	A	KG2/2
		Spares for:—				
	3U1496	BAR, TENSION, GROUP .....	1	—		KG2/3
	7U1150	Block, bearer, forward and rear .....	2	—		KG2/4
	16U1150	Block, bearer .....	1	Phos. Bronze		KG2/5
	4U1150	Block, bearer, forward, centre and rear .....	3	L.45		KG2/6
	30U1496	Block, bearer, release container tube .....	1	—		KG2/7
	9U1150	Bolt, cable adjusting .....	1	—		KG2/8
	12U1150	Bolt, bearer, block attachments .....	32	—		KG2/9
	22U1150	Bolt, special .....	1	S11 or S96		KG2/10
	23U1150	Bolt, special .....	2	S11 or S96		KG2/11
	36U1150	Bolt (Made from A25/13J) .....	1	—		KG2/12
	37U1150	Bolt (Made from A25/ML) .....	1	—		KG2/13
	39U1150	Bolt, special .....	1	—		KG2/14
	29U1496	Bolt, 3/8" BSF (Made from A25/B6) .....	12	—		KG2/15
	47U1496	Bolt, for towing eye, 3/4" BSP .....	1	—		KG2/16
		(Made from A25/18S)				
	27U1150	Buffer, rubber, 1-3/4" x 1/16" x 3/4" .....	2	—		KG2/17
	10U1496	CABLE, GROUP (Pre-Mod. 2244) .....	1	—		KG2/18
	55U1496	CABLE, GROUP (Mod. 2244) .....	1	—		
	53U1496	CABLE, GROUP (used as alternative to .....	1	—		
		10U1496, when testing towing bar)				
	8U1150	CAP, END, GROUP .....	1	—		KG2/19
	ASTON CHAIN Co.					
96105	44U1496	Chain, 12" long .....	1	V15		KG2/20
96107	19U1496	Chain, 8" long .....	1	V16		KG2/21
	33U1496	Claw, female .....	1	S96		KG2/22
	34U1496	Claw, male .....	1	S96		KG2/23
	13U1150	COVER, FORWARD, GROUP .....	1	—		KG2/24
95709	18U1150	COVER, RELEASE CONTAINER, GROUP .....	1	—		KG2/25
96185	15U1150	Eye, towing .....	1	S99		KG2/26
	50U1496	Handle, release mechanism .....	1	—		KG2/27
	6U1150	Head, shock absorber .....	1	S1		KG2/28
	52U1496	LINK, GROUP .....	1	—		KG2/29
	32U1150	Link, top and bottom .....	2	DTD124A		KG2/30
	35U1496	Link, guide, R.H. and L.H. .....	2	MS		KG2/31
	40U1150	Link, guide to cable (Pre-Mod. 2244) .....	1	MS		KG2/32
	54U1496	Link, guide to cable (Mod. 2244) .....	1	S96		
28FP/916	5255/305	Pin, quick release .....	1	—	C	KG2/33
	17U941	Pin, for towing eye .....	1	MS	MR	KG2/34
96174	14U1496	Plug, rear at towing eye .....	1	—	C	KG2/35
	5U1496	Ring, stop, forward, top and bottom .....	2	MS		KG2/36
	42U1496	Ring, split .....	4	—		KG2/37
	21U1150	Ring, 6-3/4" dia. .....	1	MS		KG2/38
	38U1150	Roller, top and bottom .....	2	MS		KG2/39
	4U1496	RUBBER, COMPRESSION, GROUP .....	1 set	—		KG2/40
	26U1150	Screw, locating, 1/4" BSF .....	2	MS		KG2/41

GROUND EQUIPMENT  
TOWING AND STEERING

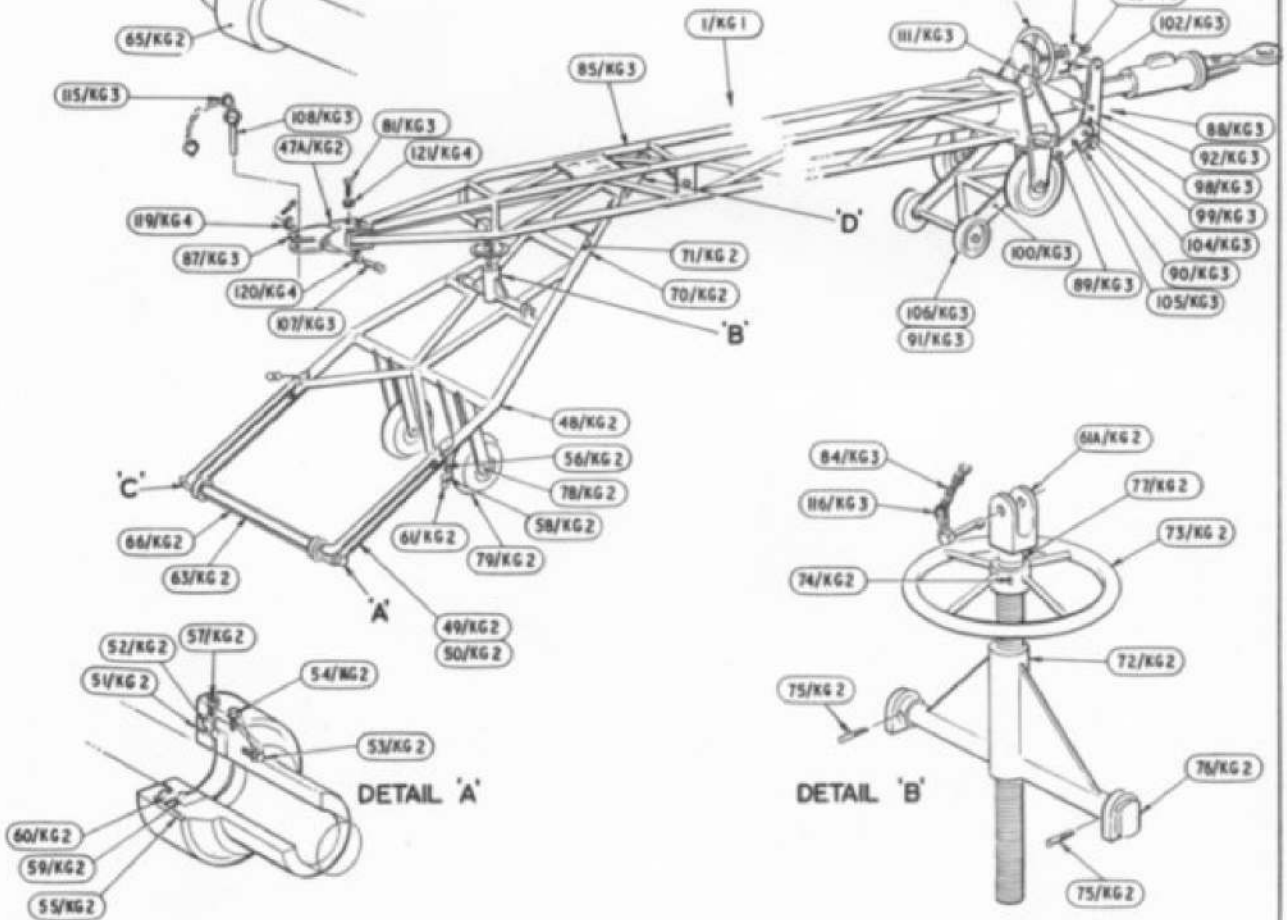
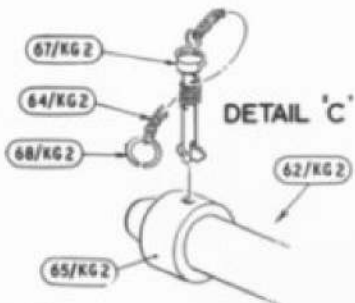
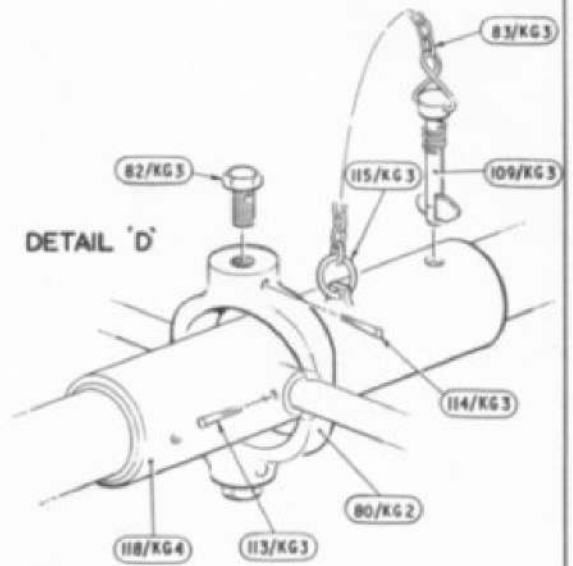
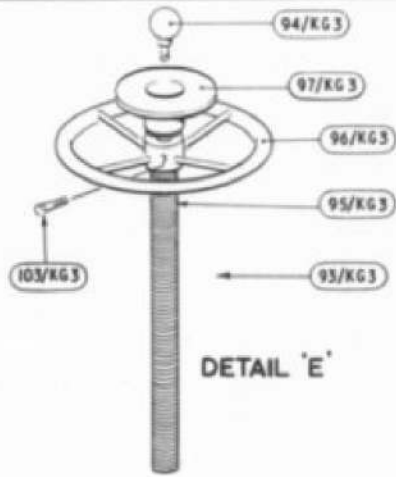
Ref. No.	Part No.	Description	No. off	Mati. Spec.	Cl. of St.	Plate and Illust'n No.
					M.R.	
		1 2 3 4				
		ABSORBER, SHOCK, GROUP (1U1496) (Cont'd.)				
	49U1496	Spring, for handle .....	1	—	C	KG2/42
	48U1150	Tab, 16 swg .....	1	Brass		KG2/43a
	2U1496	Tube, outer .....	1	—		KG2/44
	20U1496	Tube, release, container .....	1	—		KG2/45
	48U1496	Washer, 1-3/4" o/d .....	2	MS		KG2/43
	24U1150	Washer, special, 22G .....	2	—		KG2/46
	2SS1585	Washer, tab .....	1	—	MR	KG2/47
	35U1012	Attachment, swivel .....	1	BSS32		KG1/47a
1510117	1U1499	ARM, STEERING, GROUP .....	1	—	C	KG1/48
		Spares for:—				
	1U1618	ARM, SWIVEL, L.H., GROUP .....	1	—	MR	KG1/49
	2U1618	ARM, SWIVEL, R.H., GROUP .....	1	—	MR	KG1/50
		Spares for:—				
	7U1252	Ball, bearing, 5/16" dia. ....	29	—		KG1/51
	8U1252	Ball, bearing, 1/4" dia. ....	49	—		KG1/52
	3HU1230	Ball, 1/4" BSF (made from A25/8E) .....	2	—		KG1/53
	10U1230	Ball, 1/4" BSF (made from A25/1E) .....	2	—		KG1/54
1433407	5U1230	Cap .....	1	—	C	KG1/55
	ASTON CHAIN CO.					
95715	5U1618	Chain, 8" long .....	1	V16	C	KG1/56
	9U1252	Nipple, grease .....	1	—		KG1/57
	14U1252	Pin, quick release .....	1	—	MR	KG1/58
	3GU1230	Plate, race .....	1	S96		KG1/59
	6U1230	Plate, thrust bearing .....	1	—		KG1/60
	6U1618	Ring, split, 1" dia. ....	2	Spring Steel		KG1/61
	13U1151	Bracket, fork .....	1	S1		KG1/61a
	1U1253	BAR, AXLE, GROUP .....	1	—	MR	KG1/62
		Spares for:—				
96129	2U1253	Bar .....	1	MS	C	KG1/63
	ASTON CHAIN CO.					
	5U1253	Chain, 6" long .....	1	—	MR	KG1/64
	3U1253	Collar, 3" dia. ....	1	MS	MR	KG1/65
28FP/4069771	AS2438/36	Pin, quick release .....	1	—	C	KG1/67
95689	4U1253	Ring, split, 1" o/d .....	2	Spring Steel	C	KG1/68
	—	Cover, 10" x 3" .....	2	—		KG1/66
	2U1499	FRAME GROUP .....	1	—		KG1/70
	29U1086	Label, instruction .....	1	L16		KG1/71
	6U1151	Hinge, top centre .....	1	MS		KG1/72
	5U1286	Handwheel .....	1	—	MR	KG1/73
28P/13837	SP31/No.4	Pin, taper, split .....	1	—	C	KG1/74
28P/4668992	SP31/L14	Pin, taper, split .....	2	—	C	KG1/75
96184	30U1086	Pin, hinge, special .....	2	—	C	KG1/76
	4U1151	Spindle, ball .....	1	S1	MR	KG1/77
6MT14/2610- 99-509-3267	—	Tube, 10" x 3" .....	2	—		KG1/78
4GB/4409944	—	Wheel (identical to Dunlop wheel T.W.49)	2	—		KG1/79
	27U1012	Bar, pivot .....	1	MS		KG1/80

**GROUND EQUIPMENT**  
**TOWING AND STEERING**

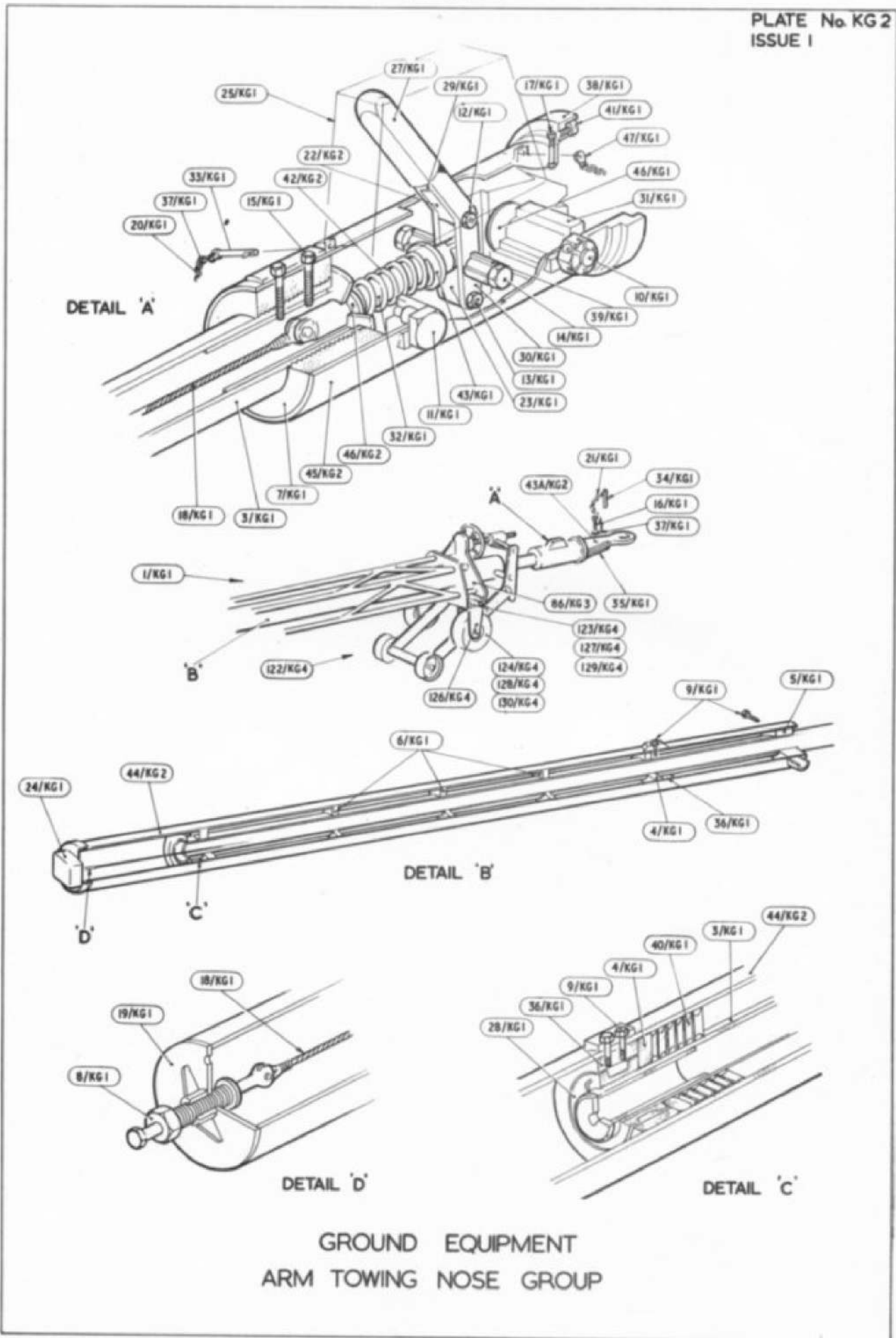
Ref. No.	Part No.	Description	No. off	Matl. Spec.	Cl. of	Plate and Illust'n No.
					St.	
		1 2 3 4				
<b>ARM TOWING NOSE (1U1342) (Cont'd)</b>						
96106	36U1342	Bolt, special, 1/2" BSF x 5.1" long .....	2	S97		KG1/81
	23U1086	Bolt, special, 1" BSF x 1.69" long .....	2	S96		KG1/82
	VICTORY CHAIN CO. 30U1342	Chain, 8" long .....	1	—		KG1/83
	ASTON CHAIN CO. 37U1342	Chain .....	1	—		KG1/84
	66U1342	FRAME, GROUP .....	—	—		KG1/85
96228	48U1342	Label .....	1	L16	MR	KGS/86
	34U1342	Link .....	—	MS		KG1/87
	1U1286	MECHANISM, RAISING & LOWERING, .... GROUP	1	—		KG1/88
		Spares for:—				
96183	13U1286	Bar, pivot, 1/2" dia. x 12-1/4" long .....	1	S1	C	KG1/89
96104	11U1286	Chain, 6" long .....	2	V16	C	KG1/90
1432923	15U1286	Collar, 3/4" o/d .....	2	—	C	KG1/91
1432922	2U1286	Fork .....	1	—	C	KG1/92
95616	16U1286	JACK, SCREW, GROUP .....	1	—	B	KG1/93
		Spares for:—				
95702	6U1386	Ball, end, 1-3/4" dia. ....	1	S1	C	KG1/94
95722	4U1286	Bar, screwed, 1-1/2" o/d x 18.87" long ..	1	S1	C	KG1/95
	5U1286	Handwheel .....	1	—	MR	KG1/96
	7U1286	Socket, ball .....	1	MS	MR	KG1/97
	17U1286	Label, "down" .....	2	L59		KG1/98
	19U1286	Label, "up" .....	2	L59		KG1/99
1432924	3U1286	Leg .....	1	—	C	KG1/100
1432736	8U1286	Pivot .....	1	—	C	KG1/101
96101	9U1286	Pin, special hinge, 1" dia. ....	2	—	C	KG1/102
28P/13837	SP31/H24	Pin, taper .....	2	—	C	KG1/103
	AVIATION DEV.					
28FP/4062326	A512	Pin, quick release .....	1	—	C	KG1/104
	12U1286	Ring, split, 3/4" i/d .....	2	—		KG1/105
	FLEXELLO					
	14U1286	Wheel, R.H.W. ....	2	—	MR	KG1/106
96226	32U1012	Pin, link, 1-3/4" dia. ....	1	—		KG1/107
	51U1012	PIN, SPECIAL LINK, GROUP .....	1	—	MR	KG1/108
28FP/4069751	AVIATION DEV. A1232	Pin, quick release .....	—	—		KG1/109
96101	9U1286	Pin, special hinge .....	2	—	C	KG1/111
28P/13761	SP31/H14	Pin, taper, at hinge .....	2	—	C	KG1/112
28P/9158817	SP28/L20	Pin, taper, at pivot bar side .....	2	—	C	KG1/113
28P/1384747	SP28/L16	Pin, taper, at pivot bar, top .....	2	—	C	KG1/114
	31U1342	Ring, split, 3/4" i/d .....	4	—		KG1/115
	38U1342	Ring, split .....	2	—		KG1/116
	43U1012	Socket, ball .....	1	—		KG1/117

GROUND EQUIPMENT  
TOWING AND STEERING

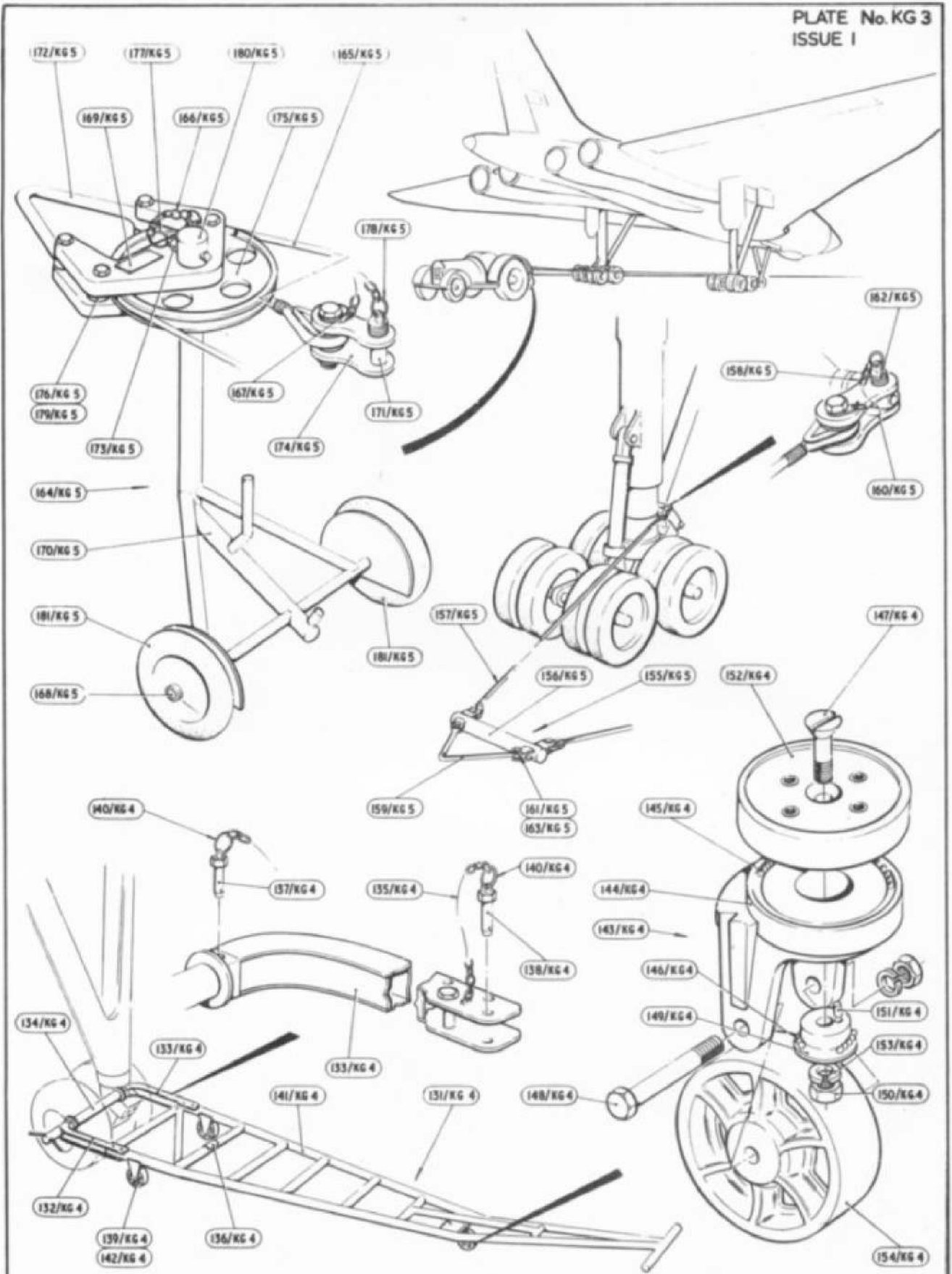
Ref. No.	Part No.	Description	No. off	Matl. Spec.	Cl. of	Plate and Illust'n No.
					St.	
		1 2 3 4				
		ARM, TOWING NOSE (1U1342) (Cont'd)				
	52U1342	TUBE, SLIDE, GROUP .....	1	—	MR	KG1/118
	33U1342	Washer, special, 2-1/4" o/d x 1-1/4" i/d .....	1	MS		KG1/119
	24U1086	Washer, special spring, 2" o/d .....	2	Spring Steel		KG1/120
	54U1012	Washer, tab at fork .....	1	MS		KG1/121
	46U1342	WHEEL, REAR, GROUP .....	2	—		KG2/122
		Spares for:—				
	42U1342	Ball, bearing, 5/16" dia. ....	128	—		KG2/123
	LV6HT14/ 8093256	Cover, 10" x 3" outer .....	2	—	C	KG2/124
	2U1096	Fork .....	2	—	MR	KG2/126
	4U1140	Plate, top, 5-7/8" x 4-5/8" x 1-1/8" thick ..	2	MS	MR	KG2/127
	LV6MT14/ 8093257	Tube, 10" x 3" inner .....	2	—		KG2/128
95695	6U1096	Washer, special, 1-5/8" o/d x 35/64" i/d ... x 3/16" thick	2	—		KG2/129
	DUNLOP TW49	Wheel (Identical to Dunlop Wheel T.W.49) .	2	—	C	KG2/130
4GB/4409944						
95397	1U1634	ARM, NOSEWHEEL STEERING, GROUP .....	1	—		KG3/131
		Spares for:—				
	2U1634	ATTACHMENT, SWIVEL, GROUP .....	1	—		KG3/132
	3U1634	ATTACHMENT, SWIVEL, GROUP .....	1	—		KG3/133
	4U1634	Bar, tommy .....	1	MS		KG3/134
	ASTON CHAIN					
	5U1634	Chain, 8" long .....	1	V16		KG3/135
96191	7U1634	Label .....	1	L4		KG3/136
28FP/4069771	AS2438/36	Pin, quick release .....	2	—	C	KG3/137
28FP/4069772	AS2438/38	Pin, quick release .....	2	—		KG3/138
26FP/95557	19U572	Pin, quick release .....	2	—		KG3/139
	6U1634	Ring, split, 3/4" dia. ....	8	—		KG3/140
	2U1013	STRUCTURE, FRAME, GROUP .....	1	—		KG3/141
26FP/95526	16U572	WHEEL, FORWARD, GROUP .....	2	—	C	KG3/142
	1U544	WHEEL, REAR, GROUP .....	1	—		KG3/143
		Spares for:—				
	12U544	Body .....	1	C1		KG3/144
	5U544	Ball, 5/16" dia. ....	36	Steel		KG3/145
	6U544	Ball, 1/4" dia. ....	20	Steel		KG3/146
	8U544	Bolt, special, 1/2" BSF x 1-3/4" long .....	1	MS		KG3/147
	9U544	Bolt, special, 1/2" BSF x 3-3/4" long .....	1	MS		KG3/148
	4U544	Nut, bearing .....	1	MS		KG3/149
	11U544	Nut, 1/2" BSF .....	2	MS		KG3/150
	7U544	Pin, 5/32" dia. x 1/2" long .....	1	S1		KG3/151
	13U544	Plate, top .....	1	Steel		KG3/152
	10U544	Washer, spring, 1/2" dia. x 7/64" .....	2	—		KG3/153
	3U544	Wheel .....	1	C1		KG3/154



GROUND EQUIPMENT  
ARM, TOWING NOSE GROUP



GROUND EQUIPMENT  
ARM TOWING NOSE GROUP



GROUND EQUIPMENT  
TOWING AND STEERING

This file was downloaded  
from the RTFM Library.  
Link: [www.scottbouch.com/rtfm](http://www.scottbouch.com/rtfm)

Please see site for usage terms,  
and more aircraft documents.

