

MAINPLANES  
AILERON INBOARD

Ref. No.	Part No.	Description	No. off	Matl. Spec.	Cl. of	Plate and Illust'n No.
					St. M.R.	
		1 2 3 4				
(ELEVON INBOARD OUTER)						
1432848	1F9725	AILERON, INBOARD, PORT, GROUP .....	1	—		MA1/1
	1F9725/C	AILERON, INBOARD, PORT, GROUP .....	1	—		
	1F9725/P	AILERON, INBOARD, PORT, GROUP .....	1	—		
	1F9725/PC	AILERON, INBOARD, PORT, GROUP .....	1	—	A	
705 1432849	2F9725	AILERON, INBOARD, STB'D., GROUP .....	1	—		
	2F9725/C	AILERON, INBOARD, STB'D., GROUP .....	1	—	A	
	2F9725/P	AILERON, INBOARD, STB'D., GROUP .....	1	—		
	2F9725/PC	AILERON, INBOARD, STB'D., GROUP .....	1	—	A	
(Complementary parts e.g. inter-component attachments are not supplied with this assembly, but are listed in the complementary items at the end of the Mainplane Outer)						
Spares for:—						
	41F9725	Angle .....	1	—	MR	
	47F9725	Angle .....	1	—	MR	
28D/9133012	1F10690	ARM, MASS BALANCE, INBOARD, PORT, ... GROUP	1	—	MR	MA1/2
	2F10690	ARM, MASS BALANCE, INBOARD, ... STARBOARD, GROUP	1	—	MR	
	A25/3C	Attachments—Balance arm, Part Nos. 1 and 2F10690 Bolt, 2 BA .....	4	—	C	
	1F10691	ARM, MASS BALANCE, CENTRE, PORT, ... GROUP	1	—	MR	
28D/9133012	2F10691	ARM, MASS BALANCE, CENTRE, STARBOARD, GROUP	1	—	MR	MA1/3
	A25/3C	Attachments—Balance Arm, Part Nos. 1 and 2.F.10691 Bolt, 2 BA .....	4	—	C	
	1F10692	ARM, MASS BALANCE, OUTBOARD, ... PORT, GROUP	1	—	MR	
	2F10692	ARM, MASS BALANCE, OUTBOARD, ... STARBOARD, GROUP	1	—	MR	
28D/9133012	A25/3C	Attachments—Balance Arm, Part Nos. 1 and 2.F.10692 Bolt, 2 BA .....	4	—	C	
6571	64F9725	BEARING, HINGE, INBOARD, PORT AND ... STARBOARD, GROUP	—	—	B	MA1/5
Consisting of:—						
2A/9501379	SKEFCO 22205	Bearing .....	1	—	C	
6556	6F9725	Bracket, hinge .....	1	L65	C	
	45F9725	Bush .....	2	S1	C	

MAINPLANES  
AILERON INBOARD

Ref. No.	Part No.	Description	No. off	Matl. Spec.	Cl. of St.	Plate and Illust'n No.
					M.R.	
		(ELEVON INBOARD OUTER)				
6572	63F9725	BEARING, HINGE, CENTRE, PORT AND STARBOARD, GROUP Consisting of:—	1	—	C	MA1/6
2A/9501524	SKEFCO 22206	Bearing .....	1	—	C	
6558	93F9725	Bracket, hinge .....	1	DTD683	C	
6559	115F9725	Bush, shoulder end .....	1	S1	C	
28N/2001719	116F9725	Bush, circlip end .....	1	S1	C	
	AGS2030/94	Circlip .....	1	—	C	
6570	62F9725	BEARING, HINGE, OUTBOARD, PORT AND STARBOARD, GROUP Consisting of:—	1	—	C	MA1/7
2A/9501379	SKEFCO 22205	Bearing .....	1	—	C	
6556	5F9725	Bracket, hinge .....	1	L65	C	
	45F9725	Bush .....	2	S1	C	
	—	FAIRING, POWER UNIT, PORT AND STARBOARD (3 and 4F9908) Spares for:—	—	—		MA1/8
6510	7F9908	Fairing, fixed, port .....	1	L72	C	
6511	8F9908	Fairing, fixed, starboard .....	1	L72	C	
26FP/13043	ISS3259	Plate, mod record .....	1	—	C	
28S/1008327	A32/B14	Attachments—Plate, Part No. 1SS3259				
28W/9419465	SP13/B	Screw, r'd h'd 4 BA .....	4	—	C	
26FP/13044	1SS3260	Washer, 4 BA .....	4	—	C	
	130F9725	Plate, serial .....	1	—	C	
	131F9725	Rib, nose, port and starboard .....	1	—	MR	MA1/9
	132F9725	RIB, NOSE, PORT, GROUP .....	1	—	MR	MA1/10
	132F9725	RIB, NOSE, STARBOARD, GROUP .....	1	—		
6581	56F9725	Shield, inboard, hinge bracket .....	1	DTD166B	C	MA1/11
6580	55F9725	Shield, inboard, hinge bracket .....	1	DTD166B	C	MA1/12
6579	54F9725	Shield, outboard, hinge bracket .....	1	DTD166B	C	MA1/13
6578	53F9725	Shield, outboard, hinge bracket .....	1	DTD166B	C	MA1/14
		Attachments—Shields, Part Nos. 53, 54, 55 and 56F9725				
6573	1SS4140	Screw, c'sk h'd 2 BA .....	8	—	MR	
	329725	Skirf, detachable, nose, between outboard mass balance and nose rib	1	L72	C	MA1/15
6574	133F9725	SKIN, DETACHABLE, NOSE, BETWEEN CENTRE HINGE RIB AND POWER UNIT RIB, PORT, GROUP	1	—	C	MA1/16
6575	134F9725	SKIN, DETACHABLE, NOSE, BETWEEN CENTRE HINGE RIB AND POWER UNIT RIB, STARBOARD, GROUP	1	—	C	

VULCAN MS. 2

**MAINPLANES  
AILERON INBOARD  
(ELEVON INBOARD OUTER)**

Page MA. 3

Ref. No.	Part No.	Description	No. off	Matl. Spec.	Cl. of	Plate and Illust'n No.
					St. M.R.	
		1 2 3 4				
6576	135F9725	SKIN, DETACHABLE, NOSE, BETWEEN CENTRE HINGE AND NOSE RIB, PORT, GROUP	1	—	C	MA1/17
6577	136F9725	SKIN, DETACHABLE, NOSE, BETWEEN CENTRE HINGE AND NOSE RIB, STARBOARD, GROUP	1	—	C	
	15S4140	Attachments—Nose Skins, Part Nos. 32, 133, 134, 135 & 136F9725 Screw, c'sk. hd. 2 BA     ...     ...     ...	24	—	MR	



VULCAN Mk. 2

MAINPLANES  
AILERON OUTBOARD  
(ELEVON OUTBOARD OUTER)

Page MA. 5

Ref. No.	Part No.	Description	No. off	Matl. Spec.	Cl. of St.	Plate and Illust'n No.
					M.R.	
		1 2 3 4				
509	1F9726	AILERON, OUTBOARD, PORT, GROUP .....	1	—	A	MA1/18
706	1F9726/C	AILERON, OUTBOARD, PORT, GROUP .....	1	—	A	
1432850	1F9726/PC	AILERON, OUTBOARD, PORT, GROUP .....	1	—	A	
510	2F9726	AILERON, OUTBOARD, STARBOARD, .....	1	—	A	MA1/19
707	2F9726/C	AILERON, OUTBOARD, STARBOARD, .....	1	—	A	
1432851	2F9726/PC	AILERON, OUTBOARD, STARBOARD, .....	1	—	A	
		(Mod. 2129) GROUP (Complementary parts e.g. inter-component attachments are not supplied with this assembly, but are listed in the complementary items at the end of the Mainplane Outer)				
	1F10693	ARM, MASS BALANCE, INBOARD, CENTRE AND OUTBOARD, PORT, GROUP	3	—	MR	
	2F10693	ARM, MASS BALANCE, INBOARD, CENTRE AND OUTBOARD, STARBOARD, GROUP	3	—	MR	
		Attachments—Balance Arms, Part Nos. 1 and 2F10693				
28D/1200119	A25/4C	Bolt, 2 BA .....	12	—	C	
6555	47F9726	BEARING, HINGE, OUTBOARD, PORT AND STARBOARD, GROUP	1	—	C	MA1/20
		Consisting of:—				
2A/9501379	SKEFCO 22205	Bearing .....	1	—	C	
	5F9726	Bracket, hinge .....	1	L65	C	
6556	45F9725	Bush .....	2	S1	C	
6557	48F9726	BEARING, HINGE, CENTRE, PORT AND STARBOARD, GROUP	1	—	C	MA1/21
		Consisting of:—				
2A/9501524	SKEFCO 22206	Bearing .....	1	—	C	
	60F9726	Bracket, hinge .....	1	L65	C	
6558	115F9725	Bush, shoulder end .....	1	S1	C	
6559	116F9725	Bush, circlip end .....	1	S1	C	
28N/2001719	AGS2030/94	Circlip .....	1	—	C	
12605	49F9726	BEARING, HINGE, INBOARD, PORT AND STARBOARD, GROUP	1	—	C	MA1/22
		Consisting of:—				
2A/9501379	SKEFCO 22205	Bearing .....	1	—	C	
	4F9726	Bracket, hinge .....	1	L65	C	
6556	45F9725	Bush .....	2	S1	C	
		FAIRING, POWER UNIT, PORT AND STARBOARD (3 & 4F9909)				MA1/23
		Spares for:—				
6516	7F9909	Fairing, fixed, port .....	1	L72	C	
6517	8F9909	Fairing, fixed, starboard .....	1	L72	C	

MAINPLANES  
AILERON OUTBOARD  
(ELEVON OUTBOARD OUTER)

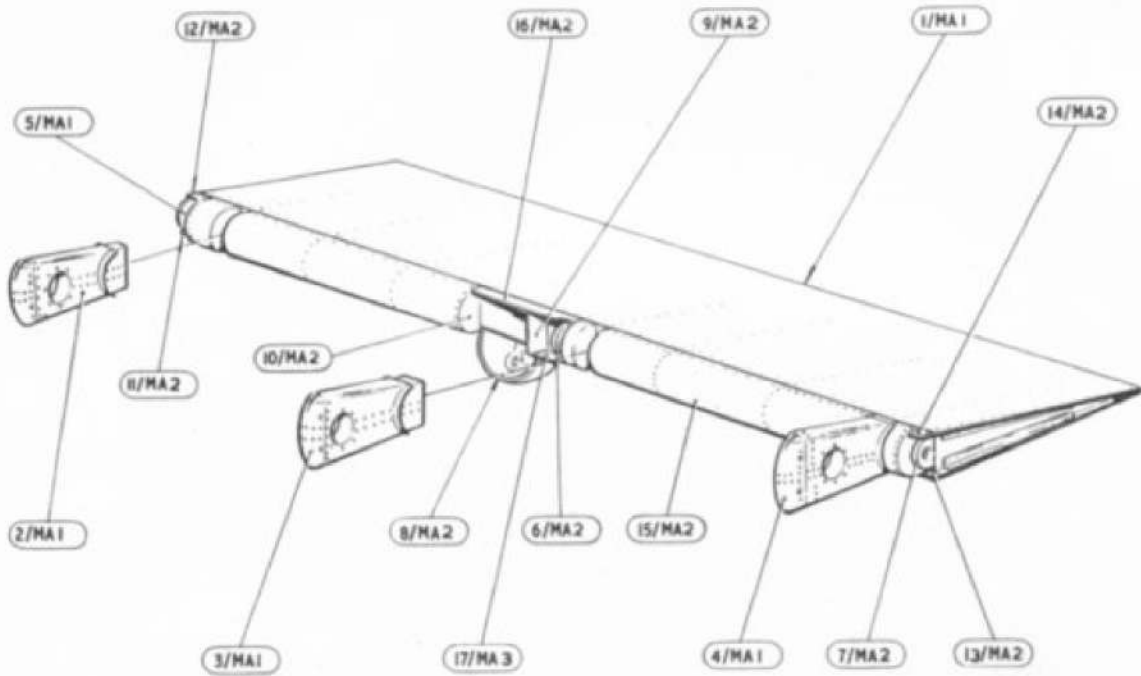
Ref. No.	Part No.	Description	No. off	Matl. Spec.	Cl. of	Plate and Illust'n No.
					St. M.R.	
		1 2 3 4				
26FP/13043	1SS.3259	Plate, mod. record .....	1	—	C	
		Attachments—Plate, Part No. 1SS3259				
28S/1008327	A32/B14	Screw, r'd. h'd., 4 BA .....	4	—	C	
28W/9419465	SP13/B	Washer, 4 BA .....	4	—	C	
26FP/13044	1SS3260	Plate, serial .....	1	—	C	
13147	67F9726	RIB, NOSE, PORT, GROUP .....	1	—	C	MA1/24
	68F9726	RIB, NOSE, STARBOARD, GROUP .....	1	—		
12291	69F9726	Rib, nose, port and starboard .....	1	—	C	MA1/25
6566	43F9726	Shield, inboard, hinge bracket .....	1	DTD166B	C	MA1/26
6567	44F9726	Shield, inboard, hinge bracket .....	1	DTD166B	C	MA1/27
6568	45F9726	Shield, outboard, hinge bracket .....	1	DTD166B	C	MA1/28
6569	46F9726	Shield, outboard, hinge bracket .....	1	DTD166B	C	MA1/29
		Attachments—Shields, Part Nos. 43, 44, 45 & 46F9726				
1161	1SS4140	Screw, c'sk h'd., 2 BA .....	8	—	C	
6561	20F9726	Skin, detachable, nose beneath outboard balance and nose rib, port and starboard	1	L72	C	MA1/30
6562	63F9726	SKIN, DETACHABLE, NOSE, BETWEEN ..... CENTRE HINGE RIB AND NOSE RIB, TOP, PORT, GROUP	1	—	C	MA1/31
6563	64F9726	SKIN, DETACHABLE, NOSE, BETWEEN ..... CENTRE HINGE RIB AND NOSE RIB, TOP, STARBOARD, GROUP	1	—	C	
6564	65F9726	SKIN, DETACHABLE, NOSE, BETWEEN ..... CENTRE HINGE RIB AND POWER UNIT RIB, BOTTOM, PORT, GROUP	1	—	C	MA1/32
6565	66F9726	SKIN, DETACHABLE, NOSE, BETWEEN ..... CENTRE HINGE RIB AND POWER UNIT RIB, BOTTOM, STARBOARD, GROUP	1	—	C	
		Attachments—Nose, Skins, Part Nos. 20, 63, 65 & 66F9726				
1161	1SS4140	Screw, c'sk h'd., 2 BA .....	18	—	C	
8354	2SS4140	Screw, c'sk h'd., 2 BA .....	17	—	C	

VULCAN Mk. 2

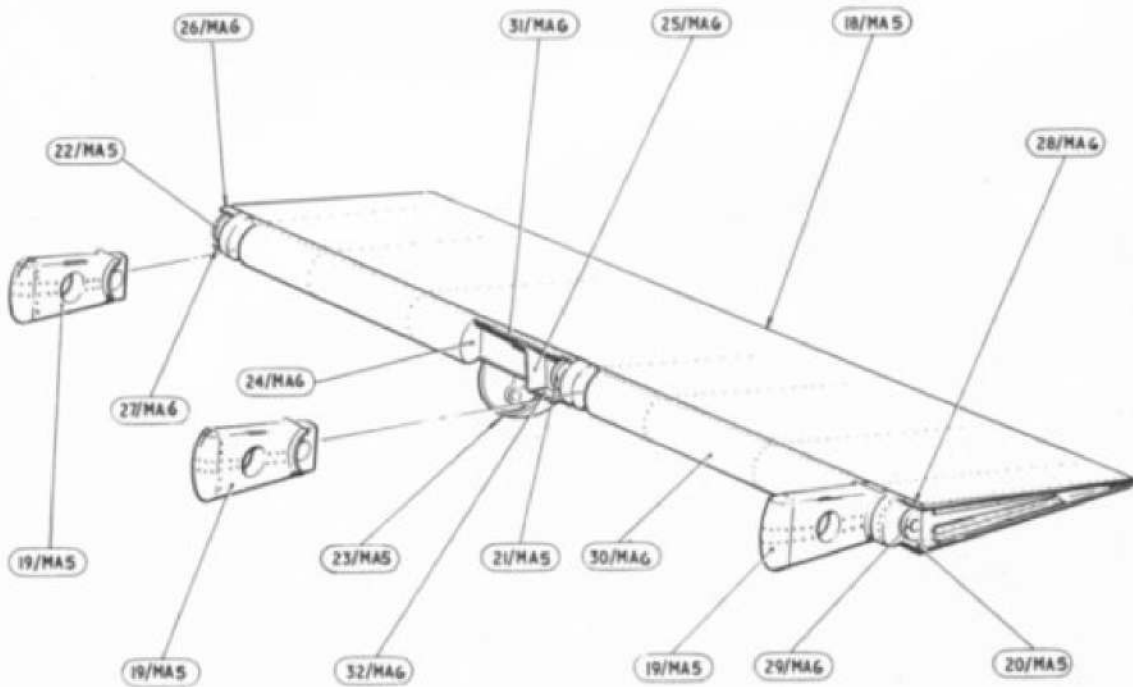
**MAINPLANES  
AILERONS (ELEVONS)  
SUMMARY OF STANDARD ITEMS**

Page MA. 7

Stores Ref.		No. off	Stores Ref.		No. off	Stores Ref.		No. off
Section	Ref. No.		Section	Ref. No.		Section	Ref. No.	
28D	1200119	24	28N	2001719	2	28W	9419465	8
28D	9133012	24	28S	1008327	8			



INBOARD



OUTBOARD

MAIN PLANES  
AILERONS - INBOARD AND OUTBOARD

This file was downloaded  
from the RTFM Library.

Link: [www.scottbouch.com/rtfm](http://www.scottbouch.com/rtfm)

Please see site for usage terms,  
and more aircraft documents.



LIGHTNING MK. 1  
COVER PITOT HEAD  
EB2-88-511