

MAINPLANE

TIP

Ref. No.	Part No.	Description	No. off	Matl. Spec.	Cl. of St.	Plate and Illust'n No.
					M.R.	
		1 2 3 4				
716	230F9910/C	TIP, WING, DETACHABLE, PORT, GROUP ... (Pre-Mod. 2129)	1	—	A	ME1/1
1433116	230F9910/PC	TIP, WING, DETACHABLE, PORT, GROUP ... (Mod. 2129)	1	—	A	
717	231F9910/C	TIP, WING, DETACHABLE, STARBOARD, ... GROUP (Pre-Mod. 2129)	1	—	A	ME1/2
1433117	231F9910/PC	TIP, WING, DETACHABLE, STARBOARD, ... GROUP (Mod. 2129)	1	—	A	
Complementary items, e.g. inter-component attachments are listed at the end of MAIN-PLANE OUTER						
Spares for:—						
	12F9940	BRACKET, MOUNTING, DETECTOR ... UNIT, PORT, GROUP	1	—	MR	
	41F9940	BRACKET, MOUNTING, DETECTOR ... UNIT, STARBOARD, GROUP	1	—	MR	
Attachments—Brackets, Part Nos. 12 & 41F9940						
26FP/13610	6SS3160	Bolt	4	—	C	
	SS4354/CP	Nut	4	—	C	
28W/9419475	SP15/C	Washer, 2 BA	4	—	C	
	1F9935	Bracket, forging, front spar rib 623	1	L65	MR	
Attachments—Bracket, Part No. 1F9935						
28D/1215660	A59/4C	Bolt, 2 BA	2	—	C	
28D/1212317	A60/4E	Bolt, 1/4" BSF	2	—	C	
28D/1212318	A60/5E	Bolt, 1/4" BSF	2	—	C	
28D/1212342	A60/5G	Bolt, 5/16" BSF	2	—	C	
28M/1012015	AGS2001/C1/66	Nut, stiff, 2 BA	2	—	C	
28M/1011475	A27/EP	Nut, 1/4" BSF	4	—	C	
28M/4199618	A58/GT	Nut, thin, 5/16" BSF	2	—	C	
28W/9419404	SP16/C	Washer, 2 BA	2	—	C	
28W/9419487	SP16/E	Washer, 1/4"	4	—	C	
28W/9418920	SP10/E	Washer, 1/4"	4	—	C	
28W/9419488	SP16/G	Washer, 5/16"	2	—	C	
28W/9419455	SP10/G	Washer, 5/16"	2	—	C	
	1F9938	Bracket, forging, rear spar rib 623	1	L65	MR	
Attachments—Bracket, Part No. 1F9938						
28D/1215659	A59/3C	Bolt, 2 BA	2	—	C	
28D/1212317	A60/4E	Bolt, 1/4" BSF	4	—	C	
28D/1212341	A60/4G	Bolt, 5/16" BSF	2	—	C	
28M/1012015	AGS2001/C1/66	Nut, stiff, 2 BA	2	—	C	
28M/1011475	A27/EP	Nut, 1/4" BSF	4	—	C	
28M/4199618	A58/GT	Nut, thin, 5/16" BSF	2	—	C	
28W/9419475	SP15/C	Washer, 2 BA	12	—	C	
28W/9419405	SP15/E	Washer, 1/4"	4	—	C	
28W/9419476	SP15/G	Washer, 5/16"	2	—	C	

MAINPLANE

TIP

Ref. No.	Part No.	Description	No. off	Matl. Spec.	Cl. of St.	Plate and Illust'n No.
					M.R.	
		1 2 3 4				
8714	198F9910	ELECTRICAL SERVICES, PORT AND STARBOARD (15 & 16.V.8061) (See—Electrical Installation) Panel, access, to detector unit... ..	1	L72	C	ME1/3
28S/9992523	A45/C20	Attachments—Access Panel, Part No. 198F9910 Screw, csk. hd., 2 BA	11	—	C	ME1/4
		RADIO EQUIPMENT, PORT AND STARBOARD (19 & 20T4292 or 203 & 204T4292) (See Radio and Radar Installation) Seal, soft rubber, $\frac{1}{16}$ " x 1.5" x 24"	1	DTD552 GRADE "A"		ME1/5
		SKINNING, PORT AND STBD., (51 & 52F9911) Spares for :—				
	40F9911	Cover	1	L73		ME1/6
		Attachments—Cover, Part No. 40F9911				
1292	5SS3847	Bolt, csk. hd.	8	—	C	ME1/7
	41F9911	Door, access	2	L72		ME1/8
		Attachments—Access Door, Part No. 41F9911				
1292	5SS3847	Bolt, csk. hd.	24	—	C	ME1/9
	56F9911	Panel, access	1	L72	MR	ME1/10
		Attachments—Access Panel, Part No. 56F9911				
	5SS4032	Bolt, csk. hd.	8	—	MR	ME1/11
13469	49F11069	TIP, WING, OUTBOARD PORTION, PORT, GROUP	1	—	A	ME1/12
	50F11069	TIP, WING, OUTBOARD PORTION, STARBOARD, GROUP	1	—		ME1/13
		Spares for :—				
	AS3179/1	Cover, handhole, curved	1	—	MR	ME1/14
8712	1F11067	COVER, LAMP, NAVIGATION, PORT, GROUP	1	—	C	ME1/15
8713	2F11067	COVER, LAMP, NAVIGATION, STARBOARD, GROUP	1	—	C	ME1/16
		Attachments—Cover, Part Nos. 1 & 2F11067				
10550	6SS3847	Screw, csk. hd.	14	—	C	ME1/17
	7F11069	Diaphragm, port	1	—		ME1/18
	8F11069	Diaphragm, starboard	1	—		ME1/19
	45F11069	Diaphragm, port	1	—	MR	ME1/20
	46F11069	Diaphragm, starboard	1	—		ME1/21
	63F11069	Diaphragm, port	1	—	MR	ME1/22
	64F11069	Diaphragm, starboard	1	—	MR	ME1/23

MAINPLANE

TIP

Ref. No.	Part No.	Description	No. off	Matl. Spec.	Cl. of St.	Plate and Illust'n No.
					M.R.	
		1 2 3 4				
		TIP, WING, OUTBOARD PORTION, PORT AND STARBOARD (49 & 50F11069) (Cont'd)				
		Attachments—Diaphragm, Part Nos. 7, 8, 45, 46, 63 & 64F11069				
	9SS3161	Bolt	23	Monel		
	59F11069	Bolt	1	Monel		
	40F11069	Bolt	2	Monel		
28M/4342850	AGS2001/E/4	Nut, stiff, 1/4" BSF	11	—	C	
28M/4095797	AGS2001/C/4	Nut, stiff, 2 BA	2	—	C	
28W/9419405	SP15/E	Washer, 1/4"	13	—	C	
28W/9419475	SP15/C	Washer, 2 BA	2	—	C	
	628SS6033	Label, port	1	L59		
	629SS6033	Label, starboard	1	L59		
	710SS6030	Label, port	1	L59		
	723SS6030	Label, starboard	1	L59		
	711SS6030	Label, port	1	L59		
	724SS6030	Label, starboard	1	L59	MR	
6536	31F9940	Panel, access, aerial housing, port	1	DTD797	B	ME1/24
6537	32F9940	Panel, access, aerial housing, starboard	1	DTD797	B	ME1/25
		Attachments—Access Panel, Part Nos. 31 & 32F9940				
	A45/C16	Screw, csk. hd., 2 BA	20	—	C	
	1F11884	PANEL, COVER, SLOT AERIAL, PORT, ... GROUP (Mod. 1585)	1	—	MR	ME1/26
12434	2F11884	PANEL, COVER, SLOT AERIAL, STAR- ... BOARD, GROUP (Mod. 1585)	1	—	B	ME1/27
		Spares for:—				
	15F11884	PANEL, BOTTOM, PORT, GROUP	1	—		
	14F11884	PANEL, BOTTOM, STARBOARD, ... GROUP	1	—		
		Spares for:—				
17107	5F11085	Panel, aft, port	1	—		ME1/28
	6F11085	Panel, aft, starboard	1	—		ME1/29
	16F11884	PANEL, BOTTOM, FORWARD, ... PORT, GROUP	1	—	MR	ME1/30
	17F11884	PANEL, BOTTOM, FORWARD, ... STARBOARD, GROUP	1	—	MR	ME1/31
		Spares for:—				
12709	12F11884	Block, indicator	1	—	C	ME1/32
1433005	18F11884	Nut, knurled	1	—	C	ME1/33
	3F11884	Panel, bottom, forward, port	1	—		ME1/34
	4F11884	Panel, bottom, forward, starboard ...	1	—		ME1/35
12710	13F11884	PLATE, INDICATOR, GROUP	—	—	C	ME1/36
		Spares for:—				
	13cF11884	Bush	1	—		ME1/37
	13aF11884	Stud	1	—		ME1/38
12711	197SS4700	Spring	1	—	C	ME1/39
1433004	19F11884	Stud	1	—	C	ME1/40
	1910	Washer, shakeproof	1	—		
12713	17F11085	Window	1	—	C	ME1/41

MAINPLANE

TIP

Ref. No.	Part No.	Description	No. off	Mati. Spec.	Cl. of St.	Plate and Illust'n No.
					M.R.	
		1 2 3 4				
12713		PANEL, BOTTOM, PORT AND STARBOARD, GROUP (14 & 15F11884) (Cont'd.)				
	18F11085	Panel, removable, port	1	—	MR	ME1/42
	19F11085	Panel, removable, starboard	1	—	MR	ME1/43
	17F11085	Window	1	—	C	ME1/44
	7F11884	PANEL, TOP, PORT, GROUP	1	—		ME1/45
	8F11884	PANEL, TOP, STARBOARD, GROUP	1	—		ME1/46
		Attachments—Cover Panel, Part Nos. 1 & 2F11884				
	5SS4032	Bolt	6	MONEL	MR	ME1/47
	6SS4032	Bolt	96	MONEL	MR	ME1/48
	27F11069	Seal, rubber, 1/16" x .75" x 4.1"	1	DTD552	MR	ME1/49
	47F11069	Seal, rubber, 1/16" x .7" x 3' 4.44"	1	DTD552		ME1/50
	48F11069	Seal, rubber, 1/16" x .75" x 3' 4.46"	1	DTD552		ME1/51
	13SS4225	Transfer	2	—	MR	
	14SS4225	Transfer	1	—	MR	

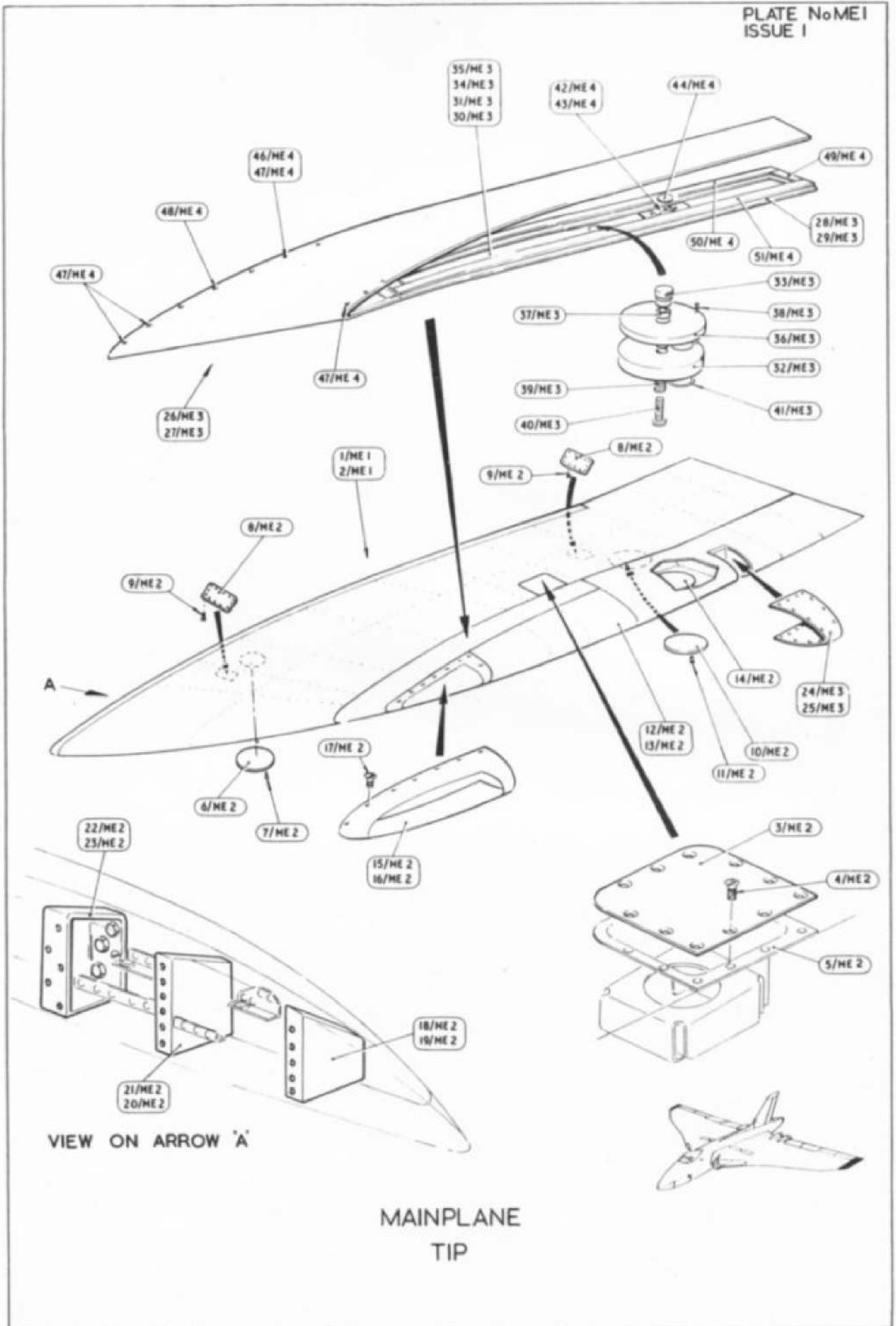
VULCAN Mk. 2

MAINPLANE

TIP

SUMMARY OF STANDARD ITEMS

Stores Ref.		No. off	Stores Ref.		No. off	Stores Ref.		No. off
Section	Ref. No.		Section	Ref. No.		Section	Ref. No.	
28D	1212317	12	28M	10275	4	28W	9418920	8
28D	1212318	4	28M	4342850	22	28W	9419404	4
28D	1212341	4	28M	1278190	8	28W	9419405	34
28D	1212342	4	28M	14877	8	28W	9419455	4
28D	1215659	4	28M	1011475	16	28W	9419475	16
28D	1215660	4				28W	9419476	4
						28W	9419487	8
			28S	9992523	22	28W	9419488	4



This file was downloaded
from the RTFM Library.

Link: www.scottbouch.com/rtfm

Please see site for usage terms,
and more aircraft documents.

