

VULCAN Mk. 2

POWER INSTALLATION
ENGINE BULKHEADS

Page NA. 1

Ref. No.	Part No.	Description	No. off	Matl. Spec.	Cl. of	Plate and Illust'n No.
					St. M.R.	
		1 2 3 4				
		ENGINE BULKHEAD ASSEMBLIES DRAWING REF. (D10631) Consisting of:- BULKHEAD, ENGINE, FRONT, PORT AND STARBOARD (1 & 2E2928) (Mod. 360)				
	3E2928	BULKHEAD, OUTBOARD, PORT, GROUP . . (Pre-Mod. 980)	1	—	MR	
	136E2928	BULKHEAD, OUTBOARD, PORT, GROUP . . (Mod. 980)	1	—	MR	NA1/1
		Spares for:-				
21536	87E2928	Angle, door seal	1	L72	C	NA1/2
28F/1013402	AGS1111/B	Body, cone union	1	—	C	
	1SS5824	Cap, end (Mod. 2280)	8	—	MR	
26FP/10114	1SS1585	Lug, locking	2	—	C	
28F/9128928	AGS1115/2	Plate, washer	1	—	C	
	58E2858	Seal, door (Pre-Mod. 488)	1	DTD552		
	106E2858	Seal, door (Make from 1SS4488, Ref. No. . . 26DC/7738) (Mod. 488) (Pre-Mod. 2280)	1	DTD5509		NA1/3
	134E2858	Seal, door (Make from 1SS5823, Ref. No. . . 26DC/1510281) (Mod. 2280)	1	—		
	5E2928	BULKHEAD, INBOARD, PORT, GROUP . . . (Pre-Mod. 980)	1	—	MR	
	138E2928	BULKHEAD, INBOARD, PORT, GROUP . . . (Mod. 980)	1	—	MR	NA1/4
		Spares for:-				
21834	8E2928	Angle, door seal	1	L72	C	NA1/5
28F/1013402	AGS1111/B	Body, cone union	1	—	C	
	1SS5824	Cap, end (Mod. 2280)	4	—	MR	
	93E2928	Fitting, strut	1	S94		NA1/6
26FP/10114	1SS1585	Lug, locking	2	—	C	
	170E2928	Plate, blanking	1	—		
28F/9128928	AGS1115/2	Plate, washer	1	—	C	
	91E2858	Seal, door (Pre-Mod. 488)	1	DTD552		
	105E2858	Seal, door (Make from 1SS4488, Ref. No. . . 26DC/7738) (Mod. 488) (Pre-Mod. 2280)	1	DTD5509		
	133E2858	Seal, door (Make from 1SS5823, Ref. No. . . 26DC/1510281) (Mod. 2280)	1	—		NA1/7
	110F11016	Stud, blanking	1	—		NA1/8
	4E2928	BULKHEAD, OUTBOARD, STARBOARD . . GROUP (Pre-Mod. 980)	1	—	MR	
	137E2928	BULKHEAD, OUTBOARD, STARBOARD, . . GROUP (Mod. 980)	1	—	MR	NA1/9
		Spares for:-				
21837	88E2928	Angle, door seal	1	L72	C	NA1/10
28F/1013402	AGS1111/B	Body, cone union	1	—	C	
	1SS5824	Cap, end (Mod. 2280)	2	—	MR	
26FP/10114	1SS1585	Lug, locking	2	—	C	
28F/9128928	AGS1115/2	Plate, washer	1	—	C	
	58E2858	Seal, door (Pre-Mod. 488)	1	DTD552		
	106E2858	Seal, door (Make from 1SS4488, Ref. No. . . 26DC/7738) (Mod. 488) (Pre-Mod. 2280)	1	DTD5509		

POWER INSTALLATION
ENGINE BULKHEADS

Ref. No.	Part No.	Description	No. off	Matl. Spec.	Cl. of St.	Plate and Illust'n No.
					M.R.	
		1 2 3 4				
	169E2858	BULKHEAD, OUTBOARD, STARBOARD (4 & 137E2928) (Cont'd.) Seal, door (Make from 1SS5823, Ref. No. ... 26DC/1510281) (Mod. 2280)	1	—		NA1/11
	6E2928	BULKHEAD, INBOARD, STARBOARD, GROUP (Pre-Mod. 980)	1	—	MR	
	139E2298	BULKHEAD, INBOARD, STARBOARD, GROUP (Mod. 980)	1	—	MR	NA1/12
	90E2928	Spares for:— Angle, door seal	1	L72	C	NA1/13
21835	AGS1111/B	Body, cone union	1	—	C	
28F/1013402	1SS5824	Cap, end	4	—	MR	
	94E2928	Fitting, strut	1	S94		NA1/14
26FP/10114	1SS1585	Lug, locking	2	—	C	
	170E2928	Plate, blanking	1	—		
28F/9128928	AGS.1115/2	Plate, washer	1	—	C	
	91E2858	Seal, door (Pre-Mod. 488)	1	DTD552		
	105E2858	Seal, door (Make from 1SS4488, Ref. No. ... 26DC/7738) (Mod. 488) (Pre-Mod. 2280)	1	DTD5509		
	168E2928	Seal, door (Make from 1SS5823, Ref. No. ... 26DC/1510281) (Mod. 2280)	1	—		NA1/15
	110F11016	Stud, blanking	1	—		NA1/16
		BULKHEAD, ENGINE, REAR, PORT AND STARBOARD (1 & 2E2911)				
		Spares for:—				
21803	67E2911	Angle, shroud	1	AVR50	C	NA1/17
21797	68E2911	Angle, shroud	1	AVR50	C	NA1/18
21790	69E2911	Angle, shroud	1	AVR50	C	NA1/19
21782	70E2911	Angle, shroud	1	AVR50	C	
12595	157E2911	Angle, 16G steel	1	DTD124A	C	NA1/20
21819	53E2911	Angle, 26G titanium	1	AVR50	C	
21826	61E2911	Angle, 26G titanium	1	AVR50	C	
21828	31E2911	Bracket	1	L72	C	
	94E2911	Bracket	1	L72		
	35E2768	Bracket, L.H. (Pre-Mod. 2340)	1	—		
	101E2768	Bracket, L.H. (Mod. 2340)	1	—		
	36E2768	Bracket, R.H. (Pre-Mod. 2340)	1	—		
	102E2768	Bracket, R.H. (Mod. 2340)	1	—		
	3E2911	BULKHEAD, OUTBOARD, PORT, GROUP ...	1	—	MR	NA1/21
		Spares for:—				
11406	151E2911	Angle, lipped	1	AVR49	C	NA1/22
21802	10E2911	Angle, retaining	1	AVR50	C	NA1/23
21796	12E2911	Angle, retaining	1	AVR50	C	NA1/24
21798	14E2911	Angle, shroud	1	AVR49	C	
21824	22E2911	Bracket (Pre-Mod. 2189)	1	L72	C	
	163E2911	Bracket (Mod. 2189)	1	—		
21830	142E2911	Bracket	2	AVR50	C	
	165E2911	Bracket, stringer, port (Mod. 2228)	1	—	MR	
	166E2911	Bracket, stringer, starboard (Mod. 2228) ...	1	—	MR	

VULCAN Mk. 2

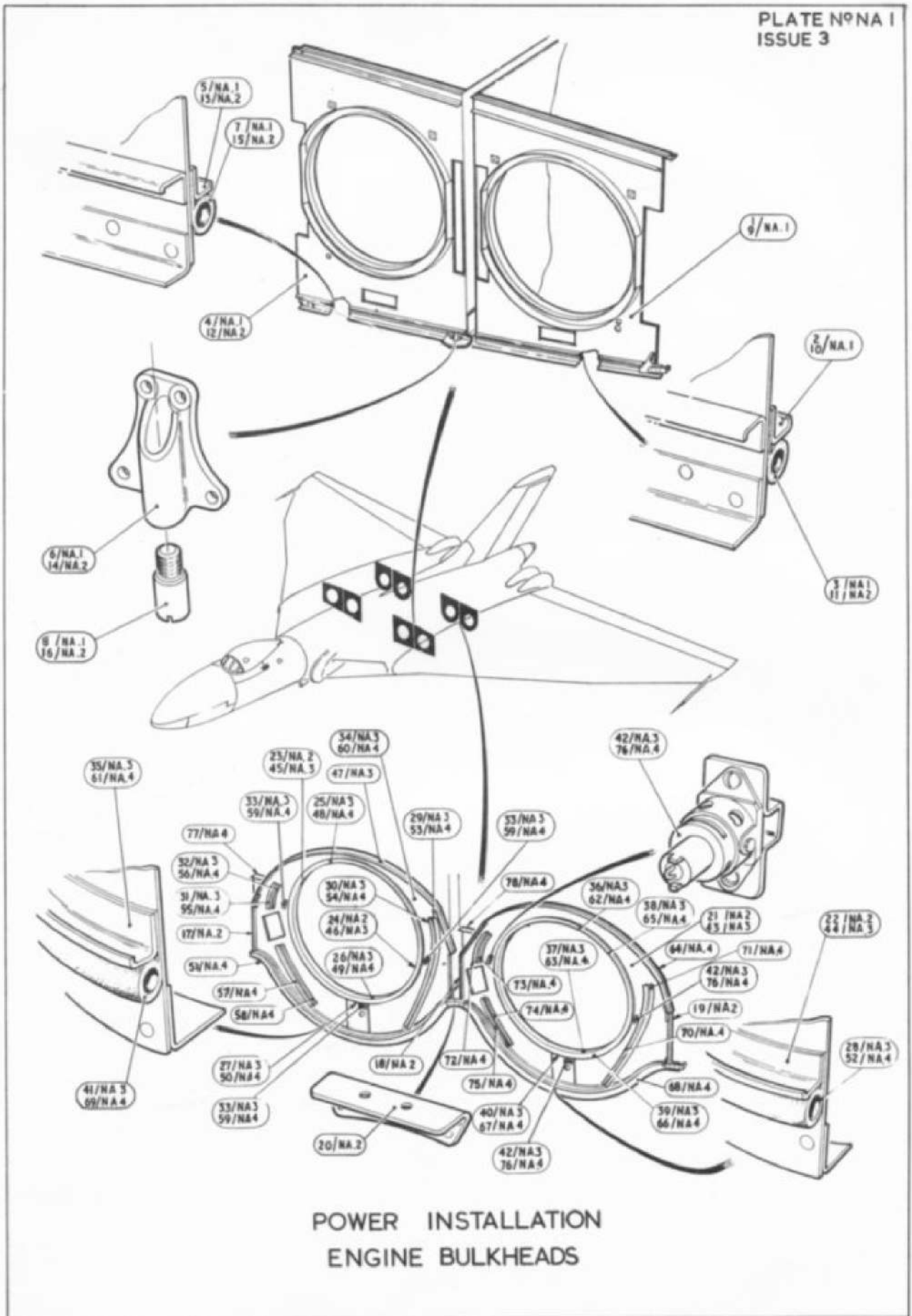
POWER INSTALLATION
ENGINE BULKHEADS

Page NA.3

Ref. No.	Part No.	Description	No. off	Mtl. Spec.	Cl. of	Plate and Illust'n No.
					St. M.R.	
		1 2 3 4				
		BULKHEAD, OUTBOARD, PORT (3E2911) (Cont'd)				
	8SS5764	Bolt, special (Mod. 2228)	1	—	MR	
	1SS5824	Cap, end (Mod. 2280)	4	—	MR	
21801	9E2911	Half-ring	1	AVR50	C	NA1/25
21795	11E2911	Half-ring	1	AVR50	C	NA1/26
	93E2911	Packing	1	AVR50	C	NA1/27
21806	63E2911	Plate, reinforcing	1	AVR50	C	
	69E2789	Seal, door (Pre-Mod. 488)	1	DTD552		
	101E2789	Seal, door (Make from 1SS4488, Ref. No. ... 26DC/7738) (Mod. 488) (Pre-Mod. 2280)	1	DTD5509		
	168E2911	Seal, door (Make from 1SS5823, Ref. No. ... 26DC/1510281) (Mod. 2280)	1			NA1/28
21805	30E2911	Stiffener	1	AVR49	C	NA1/29
21804	32E2911	Stiffener	1	AVR49	C	NA1/30
21793	110E2911	Stiffener	1	AVR49	C	NA1/31
21794	111E2911	Stiffener	1	AVR49	C	NA1/32
21798	116E2911	Stiffener	1	AVR49	C	
21799	117E2911	Stiffener	1	AVR49	C	
5CZ/4337577	—	Thermocouple	3	—	B	NA1/33
	5E2911	BULKHEAD, INBOARD, PORT, GROUP ...	1	—	MR	NA1/34
		Spares for:—				
21832	152E2911	Angle, lipped	1	AVR49	C	NA1/35
21779	42E2911	Angle, retaining	1	AVR50	C	NA1/36
21788	43E2911	Angle, retaining	1	AVR50	C	NA1/37
21777	51E2911	Angle, shroud	1	AVR50	C	
21830	142E2911	Bracket	2	AVR50	C	
	1SS5824	Cap, end (Mod. 2280)	4	—	MR	
21786	40E2911	Half-ring	1	AVR50	C	NA1/38
21787	41E2911	Half-ring	1	AVR50	C	NA1/39
	93E2911	Packing	1	AVR50	C	NA1/40
21783	143E2911	Plate, reinforcing	1	AVR50	C	
	68E2789	Seal, door (Pre-Mod. 488)	1	DTD552		
	100E2789	Seal, door (Make from 1SS4488, Ref. No. ... 26DC/7738) (Mod. 488) (Pre-Mod. 2280)	1	DTD5509		
	167E2911	Seal, door (Make from 1SS5823, Ref. No. ... 26DC/1510281) (Mod. 2280)	1	—		NA1/41
21791	104E2911	Stiffener	1	AVR49	C	
21792	106E2911	Stiffener	1	AVR49	C	
21780	108E2911	Stiffener	1	AVR49	C	
21781	109E2911	Stiffener	1	AVR49	C	
21785	114E2911	Stiffener	1	AVR49	C	
21784	115E2911	Stiffener	1	AVR49	C	
5CZ/4337577	—	Thermocouple	3	—	B	NA1/42
	4E2911	BULKHEAD, OUTBOARD, STARBOARD, ... GROUP	1	—	MR	NA1/43
		Spares for:—				
21831	153E2911	Angle, lipped	1	AVR49	C	NA1/44
21802	10E2911	Angle, retaining	1	AVR50	C	NA1/45
21796	12E2911	Angle, retaining	1	AVR50	C	NA1/46
21811	15E2789	Angle, shroud	1	AVR49	C	NA1/47

POWER INSTALLATION
ENGINE BULKHEADS

Ref. No.	Part No.	Description	No. off	Mtl. Spec.	Cl. of St.	Plate and Illust'n No.
					M.R.	
		1 2 3 4				
BULKHEAD, OUTBOARD, STARBOARD (Cont'd)						
21825	23E2911	Bracket (Pre-Mod. 2189)	1	L72	C	
	164E2911	Bracket, R.H. (Mod. 2189)	1	—		
21830	142E2911	Bracket	2	AVR50	C	
	1SS5824	Cap, end (Mod. 2280)	4	—	MR	
21801	9E2911	Half-ring	1	AVR50	C	NA1/48
21795	11E2911	Half-ring	1	AVR50	C	NA1/49
	93E2911	Packing	1	AVR50		NA1/50
	145E2911	Plate, reinforcing	1	AVR50		NA1/51
	69E2789	Seal, door (Pre-Mod. 488)	1	DTD552		
	101E2789	Seal, door (Make from 1SS4488, Ref. No. ... 26DC/7738) (Mod. 488) (Pre-Mod. 2280)	1	DTD5509		
	168E2911	Seal, door (Make from 1SS5823, Ref. No. ... 26DC/1510281) (Mod. 2280)	1	—		NA1/52
21805	30E2911	Stiffener	1	AVR49	C	NA1/53
21804	32E2911	Stiffener	1	AVR49	C	NA1/54
21793	110E2911	Stiffener	1	AVR49	C	NA1/55
21794	111E2911	Stiffener	1	AVR49	C	NA1/56
21809	118E2911	Stiffener	1	AVR49	C	NA1/57
21810	119E2911	Stiffener	1	AVR49	C	NA1/58
5CZ/4337577	—	Thermocouple	3	—	B	NA1/59
	6E2911	BULKHEAD, INBOARD, STARBOARD, ... GROUP	1	—	MR	NA1/60
Spares for:—						
21833	154E2911	Angle, lipped	1	AVR49	C	NA1/61
21779	42E2911	Angle, retaining	1	AVR50	C	NA1/62
21788	43E2911	Angle, retaining	1	AVR50	C	NA1/63
21815	52E2911	Angle, shroud	1	AVR49	C	NA1/64
21830	142E2911	Bracket	2	AVR50	C	
	1SS5824	Cap, end	4	—	MR	
21786	40E2911	Half-ring	1	AVR50	C	NA1/65
21787	41E2911	Half-ring	1	AVR50	C	NA1/66
	93E2911	Packing	1	AVR50		NA1/67
21818	58E2911	Plate, reinforcing	1	AVR50	C	NA1/68
	68E2789	Seal, door (Pre-Mod. 488)	1	DTD552		
	100E2789	Seal, door (Make from 1SS4488, Ref. No. ... 26DC/7738) (Mod. 488) (Pre-Mod. 2280)	1	DTD5509		
	167E2911	Seal, door (Make from 1SS5823, Ref. No. ... 26DC/1510281) (Mod. 2280)	1	—		NA1/69
21816	105E2911	Stiffener	1	VAR49	C	NA1/70
21817	107E2911	Stiffener	1	AVR49	C	NA1/70
21780	108E2911	Stiffener	1	AVR49	C	NA1/72
21781	109E2911	Stiffener	1	AVR49	C	NA1/73
21814	112E2911	Stiffener	1	AVR49	C	NA1/75
21813	113E2911	Stiffener	1	AVR49	C	NA1/76
5CZ/4337577	—	Thermocouple	3	—	B	NA1/76
21778	99E2911	Gusset	1	L72	C	
21807	100E2911	Gusset	1	L72	C	NA1/77
21800	101E2911	Gusset	1	L72	C	
21812	102E2911	Gusset	1	L72	C	NA1/78



POWER INSTALLATION
ENGINE BULKHEADS



This file was downloaded
from the RTFM Library.

Link: www.scottbouch.com/rtfm

Please see site for usage terms,
and more aircraft documents.