

VULCAN Mk. 2

RADIO AND RADAR INSTALLATION

Page PA. 1

CENTRE SECTION FUSELAGE

Ref. No.	Part No.	Description	No. off	Matl. Spec.	Cl. of St.	Plate and Illust'n No.
					M.R.	
		1 2 3 4				
RADIO AND RADAR INSTALLATION,						
CENTRE SECTION (3T4292)						
Spares for:—						
10B/16706	—	Aerial, marker, type 237	1	—	A	PA2/1
10B/16446	—	Aerial, loop, type 1324A	1	—	A	PA2/2
10B/18265	—	Aerial, I.F.F.	2	—	A	PA2/3
10B/19122	—	Aerial, V.H.F.	1	—	B	PA2/4
10B/0326363	—	Aerial, U.H.F.	2	—	A	PA1/5
CHELTON ENG. F.402.L5.54		Aerial, towel rail sensing	1	—		PA1/6
10B/19435	—	Aerial, type 4169	1	—	A	PA1/7
10U/16924	—	Amplifier, sense, type 1628	1	—	A	PA1/8
5841-99- 954-2618	—	Amplifier, computer Radio Altimeter 7B	1	—	A	PA1/9
10AD/9326361	—	Box, Junction, type AN/ARC/52	1	—	B	PA1/10
10112	1T4883	BOX, JUNCTION OPTICAL LINK,	1	—	B	PA2/11
GROUP						
Spares for:—						
	2T4883	Box	1	—		
	5T4883	BOARD, IDENTED, GROUP	1	—		PA2/12
Consisting of:—						
BULGIN LTD. C125		Board, 10 way	1	—		
	6T4883	BOARD, IDENTED, GROUP	1	—		PA2/13
Consisting of:—						
BULGIN LTD. C120		Board, 5 way	1	—		PA2/14
10H/0970055	—	Cap, protective	1	—	C	PA2/15
10H/0560150	—	Plug, panel, 12 pin, Mk.4	1	—	C	PA2/16
10H/0560581	—	Plug, panel, 6 pin, Mk. 4	1	—	C	PA2/17
10H/0560582	—	Plug, panel, 6 pin, Mk. 4	1	—	C	PA2/18
10H/0560260	—	Socket, panel, 6 pin, Mk. 4	1	—	C	PA2/19
10H/0560270	—	Socket, panel, 18 pin, Mk. 4	1	—	C	PA2/20
9D/2	—	Calculator, type 1, Mk. 1	1	—	A	PA1/21
10D/20968	—	Calculator, type 5A	1	—	A	PA1/22
CRATE, NOSEWHEEL BAY (T4455)						
Spares for:—						
10AJ/216	65T3673	Chain, chandelier, 3/8" pitch	3	—		
	—	Mounting, type 1033/2	1	—	C	PA1/24

RADIO AND RADAR INSTALLATION

CENTRE SECTION FUSELAGE

Ref. No.	Part No.	Description	No. off	Matl. Spec.	Cl. of St.	Plate and Illust'n No.
					M.R.	
		1 2 3 4				
CRATE, NOSEWHEEL BAY (T4455) (Cont'd.)						
5821-99-942-8544	—	Mounting, type 1477	2	—	A	PA1/25
10AJ/251	—	Mounting, type 9274	1	—	A	PA1/27
10AJ/258	—	Mounting, type 7545	1	—	A	PA1/28
	T6432	MOUNTING, JUNCTION BOX, GROUP (Mod. 2007) Spares for:—	1	—		PA1/29
10AD/9326361	—	Box, junction, AN/ARC 52	1	—	B	PA1/30
	2T6432	Plate, mounting	1	—		
	T6353	MOUNTING, A.V. FOR AMPLIFIER, TYPE 16089, GROUP Spares for:—				PA1/31
10D/22437	—	Box, Junction, type 16507	1	—	B	PA1/32
17752	89T4652	Channel, mounting	2	—	C	PA1/33
10AJ/157	—	Mounting, AV, type 966	1	—	B	PA1/34
10AJ/158	—	Mounting, AV, type 967	2	—	B	PA1/35
10AJ/160	—	Mounting, AV	1	—	B	PA1/36
	SS5456	Strip, bonding	4	—		
10AJ/699	—	Tray, mounting, type 16097 (Mod. 2057) .	1	—	C	PA1/37
10AR/3026	—	Plate, back	1	—	A	PA1/38
28FP/1243707	A405 TERRY	Pin, quick release	6	—	C	
29H/4290	No.169	Ring, split, 1/2" dia	6	—	C	
	37T4455	PLATE, TERMINAL BLOCK, GROUP Spares for:—				PA1/39
5CZ/1053794	—	Block, terminal	1	—	C	PA1/40
5X/6200370	1V5650	Block, terminal	1	—	C	PA1/41
5X/4491775	1V7871	Block, terminal	1	—	C	PA1/42
	1054T3423	Label, TB, No. 1054	1	—		
	1060T3423	Label, TB, No. 1060	1	—		
5X/4491488	15V5650	Socket	5	—	C	
5X/4491779	5V7871	Socket	3	—	C	
	1T4653	SHELF, MOUNTING, H2S, EQUIPMENT, ... GROUP Spares for:—				PA1/43
	4T3716	Bracket	2	L72		
13415	34T3722	Fairlead	2	—	C	
13414	35T3722	FAIRLEAD	2	—	C	
	1T7775	SHELF, MOUNTING, I.F.F. RECEIVER AERIAL SWITCH AND CODER UNIT, GROUP (Mod. 2155) Spares for:—	1	—		PA1/44
	5T7775	BRACKET, SWITCH, GROUP	1	—		

VULCAN Mk. 2

RADIO AND RADAR INSTALLATION
CENTRE SECTION FUSELAGE

Page PA. 3

Ref. No.	Part No.	Description	No. off	Matl. Spec.	Cl. of St.	Plate and Illust'n No.
					M.R.	
		1 2 3 4				
		CRATE, NOSEWHEEL BAY (T4455) (Cont'd)				
	1T3731	TRAY, MOUNTING H2S EQUIPMENT GROUP	1	—	—	PA1/45
	9T3731	Spares for:— Angle	4	L40	C	
10AJ/1201982	10T3731	Eyebolt, 1/4" BSF	2	S94	B	PA1/46
10AJ/9433717	—	Mounting, AV	2	—	B	PA1/47
	16T3731	Mounting, AV	2	—	B	PA1/47
	—	Plate, attachment	4	—		
5820—99— 107—5637 7092	—	TRAY, MOUNTING I.F.F. RECEIVER, TYPE 16946 (Mod. 2155)	1	—	—	PA1/48
	10T3677	TRAY, MOUNTING, N.B.C. POWER UNIT, GROUP (Mod. 477)	1	—	B	
	—	Spares for:—				
22743	5T3685	MOUNTING, GROUP	4	—	B	PA1/53
	—	Spares for:—				
	8T3685	BOLT, GROUP	1	—		
	—	Consisting of:—				
2892	9T3685	Bolt	1	S96	C	
28M/9480017	AGS2001/E1/66	Nut, 1/4" BSF	1	—	C	
28M/4095808	AGS2001/J1	Nut, 3/8" BSF	1	—	C	
2894	11T3685	Sleeve, insulating	1	BSS972	C	
2893	10T3685	Washer, insulation	2	BSS972	C	
2895	12T3685	Washer	1	S3	C	
2896	13T3685	Washer	1	S3	C	
10AJ/149	—	Mounting, AV	1	—	C	PA1/54

RADIO AND RADAR INSTALLATION

CENTRE SECTION FUSELAGE

Ref. No.	Part No.	Description	No. off	Mati. Spec.	Cl. of St.	Plate and Illust'n No.
					M.R.	
		1 2 3 4				
		CRATE, NOSEWHEEL BAY (T4455)				
		(Cont'd)				
10274	11T3678	TRAY, MOUNTING, N.B.C. CALCULATOR, GROUP			A	PA1/55
22743	5T3685	Spares for:— MOUNTING, GROUP	4	—		
		(See—Previous breakdown)				
10A/17930	—	Washer, check	20	—	C	
		E.C.M. INSTALLATION, AFT, STARBOARD ... (1 & 11D10990)				PA2/56
		Spares for:—				
10B/16914	—	Aerial	1	—		PA2/57
11734	38F11062	Pin, hinge, 7"	1	—		
10347	1D11924	Plate, counterpoise, aft, for "S" band aerial	1	—	A	PA2/58
13170	100D12235	Plate, counterpoise, aft, for "L" band aerial (Mod. 1869)	1	—	A	PA2/59
	1D10991	Splitter, aft, for "S" band aerial	1	—		PA2/60
13169	100D10991	Splitter, aft, for "L" band aerial (Mod. 1869)	1	—	A	PA2/61
10VB/6250	—	Generator, Waveform, type 68	1	—	A	PA1/62
5CW/5195356	—	Guard, locking	1	—	C	PA1/63
		E.C.M. INSTALLATION, PORT				
		(For breakdown see Equipment Special Operations, Radio and Radar)				
		INSTALLATION OF CABLES CONNECTORS, FAIRINGS, TERMINAL BLOCKS (T4288, T4320 & T5498)				
		Spares for:—				
5935-99- 940-1961		Adaptor	1	—	C	
10H/9322405		Adaptor	7	—	C	
5X/9402803	—	Block, terminal, 5 way	1	—	C	PA2/64
5X/6200370	1V5650	Block, terminal	2	—	C	PA1/65
	17T3874	BLOCK, TERMINAL INTERCOMM., GROUP	1	—		PA1/66
		Spares for:—				
5CZ/1053794	17aT3874	Angle	1	—		
5CZ/4350489	—	Block, terminal, 2 way	1	—	C	PA1/67
	—	Block, terminal, 5 way	1	—	C	PA1/68
	20T3874	BLOCK, TERMINAL INTERCOMM., V.H.F. AND U.H.F., GROUP	1	—		PA1/69
		Spares for:—				
5X/6200370	1V5650	Block, terminal	3	—	C	PA/70
5X/4491487	14V5650	Socket, double tier	1	—	C	

RADIO AND RADAR INSTALLATION
CENTRE SECTION FUSELAGE

Ref. No.	Part No.	Description	No. off	Matl. Spec.	Cl. of	Plate and Illust'n No.
					St. M.R.	
		1 2 3 4				
		INSTALLATION OF CABLES CONNECTORS FAIRLEADS AND TERMINAL BLOCKS (T4288, T4320 & T5498) (Cont'd)				
5CZ/1053794	—	Block, terminal	2	—	C	PA2/1
	9V9883	Bracket	1	—		
	7T3722	Bracket	1	—		
	26T4288	Bracket, mounting	2	—		
	27T4288	Bracket, mounting	2	—		
	25T4288	BRACKET, MOUNTING TEE JUNCTION, GROUP	1	—		PA1/72
		Consisting of:—				
	25aT4288	Bracket	1	—		
28E/1007418	AS2294/4	Clip, spring	1	—	C	
28E/100677	AS2294/5	Clip, spring	1	—	C	
	25bT4288	Packing	1	—		
	14V6356	Bracket	1	—		
11059	200T3434	CABLE, (FR200) EARTHING, GROUP ...	6	—	C	
	395T3434	CABLE, (FR395), R.P.B. PLUG 508, TO .. PLUG BREAK 561 U/C BAY, GROUP	1	—	MR	
22777	407T3434	CABLE, (FR407), R.P.B. PLUG 187, TO .. PLUG BREAK 562 U/C BAY, GROUP	1	—	C	
8760	416T3434	CABLE, (FR416), TUNING UNIT 7016, .. TO MATCHING UNIT 7949, GROUP	1	—	C	
12305	459T3434	CABLE, (FR459), TB.1005 TO TB's 591 .. AND 592, GROUP	1	—	C	
	542T3434	CABLE, (FR542), TB.1005 TO EARTH, .. GROUP	1	—		
	572T3434	CABLE, (FR572), R.P.B. PLUG 171, TO .. TB.384, GROUP	1	—		
	656T3434	CABLE, (F656), GROUP	1	—		
	688T3434	CABLE, (FR688), R.P.B. PLUG 932, TO .. JUNCTION BOX, AN/ARC 52, AND TB.1061, GROUP	1	—		
	848T3434	CABLE, (F848), GROUP	1	—		

RADIO AND RADAR INSTALLATION
CENTRE SECTION FUSELAGE

Ref. No.	Part No.	Description				No. off	Matl. Spec.	Cl. of St.	Plate and Illust'n No.
		1	2	3	4			M.R.	
	7T3434					1	—		
	727T3434					1	—		
	761T3434					1	—		
	762T3434					1	—	MR	
	763T3434					1	—	MR	
	773T3434					1	—		
1433741	774T3434					1	—	C	
	809T3434					1	—	MR	
1510407	5T7774					1	—	C	
10H/0790055	—					2	—	C	
10H/0790057	—					1	—	C	
	PATON AP1287					3	—		
	1T3636					1	—		PA1/73
	14T3636					2	—		
	18SS1862					2	—		
	14aT3636					4	T35		
	9T3635					4	—		
	2T3636					1	Fibreglass		
	3T3636					1	Fibreglass		
	10D9207					8	L72		
	1T4878					1	—		PA1/74
	3T4878					1	L72		
	9T3635					1	L72		
	5T4878					2	—		
	2T4878					1	Fibreglass		
	1T3946					1	—		
	10D/9207					2	—		

RADIO AND RADAR INSTALLATION
CENTRE SECTION FUSELAGE

Ref. No.	Part No.	Description				No. off	Matl. Spec.	Cl. of St. M.R.	Plate and Illust'n No.
		1	2	3	4				
		INSTALLATION OF CABLES, CONNECTORS, FAIRLEADS AND TERMINAL BLOCKS (T4288, T4320 & T5498) (Cont'd)							
10915	7T3874	Conduit				1	—	C	PA1/75
	17T4320	Conduit				1	L54		PA1/76
	1T4857	CONDUIT IN NOSEWHEEL BAY, PORT Spares for:—							
	37SS3863	Clip				7			
	2T4857	Conduit				1	L54		PA1/77
	3T4857	Conduit				1	L54		PA1/78
	4T4857	Conduit				1	L54		PA1/79
	1T4710	CONDUITS, INTERCOMM. IN BOMB BAY (1T4710) Spares for:—							PA2/80
26FP/13726	AGS1617/13	Clip				15	—	C	
	3SS3512	Clip				2	—		
	3T4710	Conduit, 3/4" o/d x 24G x 2' 3" long ...				9	L54		
	4T4710	Conduit, 3/4" o/d x 24G x 12" long ...				1	L54		
	6T4710	Conduit, 3/4" o/d x 24G x 2' 0" long ...				1	L54		
	8T4710	Conduit, 3/4" o/d x 24G x 12" long ...				1	L54		
	9T4710	Conduit, 3/4" o/d x 24G x 2' 4.5" long ...				1	L54		
	11T4710	Conduit, 3/4" o/d x 24G x 2' 1.5" long ...				1	L54		
	12T4710	Conduit, 3/4" o/d x 24G x 23" long ...				1	L54		
			CONDUITS, INTERCOMM. IN POWER COMPARTMENT (1T4711) Spares for:—						
26FP/13637 13619	3SS3266	Clip				2	—		
	9SS2819	Clip				1	—		
	2T4711	CONDUIT, GROUP				1	—		
		Consisting of:—							
	2aT4711	Conduit, 3/4" o/d x 24G x 12" long ..				1	L54		
	2bT4711	Conduit, 3/4" o/d x 24G x 20" long ..				1	L54		
	3T4711	Conduit, 3/4" o/d x 24G x 2' 3" long ...				1	L54		
10HB/	16T3406	Connector, R.P.B. Plug 175, to Marker Aerial 237				1	—		

RADIO AND RADAR INSTALLATION
CENTRE SECTION FUSELAGE

Ref. No.	Part No.	Description	No. off	Matl. Spec.	Cl. of	Plate and Illust'n No.
					St. M.R.	
		1 2 3 4				
INSTALLATION OF CABLES, CONNECTORS, FAIRLEADS AND TERMINAL BLOCKS (T4288, T4320 & T5498) (Cont'd)						
10HB/1941038	1T3408	Connector, Waveform generator to Automatic Calculator type 5	1	—	B	
10HB/1941039	2T3408	Connector, Power Unit 729 to Automatic . . Calculator type 5	1	—	B	
10HB/1941040	5AT3408	Connector, Waveform generator to R.P.B. . . Plug 105	1	—	B	
10HB/1941043	6T3408	Connector, Waveform generator to Power . . Unit 729	1	—	B	
10HB/1940910	7AT3408	Connector, R.P.B. Plug 107R to Power Unit 729	1	—	B	
10HB/1940913	9AT3408	Connector, R.P.B. Plug 109R to Power Unit 729	1	—	B	
10HB/1957490	18AT3408	Connector, R.P.B. Plug 120R to Waveform . generator	1	—	B	
10HB/1957487	20AT3408	Connector, R.P.B. Plug 118R to Waveform . generator	1	—	B	
10HB/1940929	30T3408	Connector, R.P.B. Plug 103R to Waveform . generator	1	—	B	
10HB/1940930	32T3408	Connector, R.P.B. Plug 104R to Waveform . generator	1	—	B	
10HB/194019	1bT3409	Connector, R.P.B. Plug 1R to Power Unit . . Mk. 1	1	—	B	
10HB/1941022	4T3409	Connector, Calculator Mk. 1 to Power Unit . Mk. 1	1	—	B	
10HB/1941024	5bT3409	Connector, R.P.B. Plug 5R to Calculator . . . Mk. 1	1	—	B	
	6T3409	Connector	1	—	B	
10HB/1941026	6bT3409	Connector, R.P.B. Plug 6R to Calculator . . . Mk. 1	1	—	B	
10HB/3001	1T4096	Connector, R.P.B. Plug 177 to Loop Aerial . 1324A	1	—	B	
10HB/3002	2T4096	Connector, R.P.B. Plug 130 to Loop Aerial . 1324A	1	—	B	
10HB/3003	3T4096	Connector, Junction Box 1629 to Loop Aerial 1324A	1	—	B	
10HB/3004	4T4096	Connector, Receiver AD7092D to Loop . . . Aerial 1324A	1	—	B	
10HB/3005	5T4096	Connector, Receiver AD7092D, to T.B.'s . . 381 and 384	1	—	B	
10HB/3006	6T4096	Connector, Receiver AD7902D to Junction Box 1629	1	—	B	
10HB/3201	10T4096	Connector, R.P.B. Plug 129 to Receiver . . . AD7092D	1	—	B	
10HB/3011	11T4096	Connector, Receiver AD7902D to Voltage . Regulator 1555A	1	—	B	

RADIO AND RADAR INSTALLATION
CENTRE SECTION FUSELAGE

Ref. No.	Part No.	Description	No. off	Matl. Spec.	Cl. of St.	Plate and Illust'n No.
					M.R.	
		1 2 3 4				
INSTALLATION OF CABLES, CONNECTORS FAIRLEADS AND TERMINAL BLOCKS (T4288, T4320 & T5498) (Cont'd)						
10HB/2224027	12T4096	Connector, Receiver AD7092D to transformer 1571	1	—	B	
10HB/3212	21T4096	Connector, T.B. 1005 to transformer 1571 .	1	—	B	
10HB/3213	22T4096	Connector, T.B. 1005 to Voltage regulator . 1555A	1	—	B	
10HB/1957590	7T4276	Connector, R.P.B. Plug 112 to Receiver . . . AD7092D	1	—	B	
10HB/1957505	8T4276	Connector, Aerial T/R 1343 to sense amplifier 1628	1	—	B	
10HB/1957588	9T4276	Connector, junction box 1629 to sense amplifier 1628	1	—	B	
10HB/1957517	10T4276	Connector, sense amplifier 1628 to sense . . Aerial	1	—	B	
10HA/0013482	4T4324	Connector, R.P.B. Plug 489 to matching . . . unit 7949	1	—	B	
10HA/0013483	5T4324	Connector, R.P.B. Plug 490 to tuning unit 7016	1	—	B	
10HB/6689	6T4324	Connector, tuning unit 7016 to matching . . unit 7949	1	—	B	
10HA/0013490	1T4326	Connector, T/R 7923 to Aerial 7165 starboard wing	1	—	B	
10HA/0013493	2T4326	Connector, R.P.B. Plug 201 to T/R 7923 . .	1	—	B	
10HA/0013490	4T4326	Connector, R.P.B. Plug 183 to T/R 7923 . .	1	—	B	
10HA/0013489	6T4326	Connector, T/R 7923 to Aerial 7165 Port wing	1	—	B	
10HB/98	8T4326	Connector, T/R 7923 to T.B. 1205	1	—	B	
10HB/0013492	9T4326	Connector, T/R 7923 to T.B. 676	1	—	B	
10HB/1957709	5T4507	Connector, R.P.B. Plug 878 to Plug break . . 895 at frame 442.5	1	—	B	
10HB/1957710	6T4507	Connector, R.P.B. Plug 879 to Plug break . . 896 at frame 442.5	1	—	B	
10HB/1957711	7T4507	Connector, R.P.B. Plug 880 to Plug break . . 897 at frame 442.5	1	—	B	
10HB/1957703	3T4508	Connector, R.P.B. Plug 200 to Plug break . . 914 at frame 442.5	1	—	B	
10HB/1957719	3T4509	Connector, R.P.B. Plug 174 to Plug break . . 894 at frame 442.5	1	—	B	

RADIO AND RADAR INSTALLATION
CENTRE SECTION FUSELAGE

Ref. No.	Part No.	Description	No. off	Matl. Spec.	Cl. of	Plate and Illust'n No.
					St. M.R.	
		1 2 3 4				
INSTALLATION OF CABLES, CONNecTORS FAIRLEADS AND TERMINAL BLOCKS (T4288, T4320 & T5498) (Cont'd)						
10HB/1957578	9T4509	Connector, R.P.B. Plug 646 to Plug break . . . 1020 at frame 442.5	1	—	B	
10HB/1957478	25T4510	Connector, R.P.B. Plug 883 to Plug break . . . 905 at frame 442.5 (Pre-Mod. 2304)	1	—	B	
10HB/1957592	27T4510	Connector, R.P.B. Plug 190 to Plug break . . . 904 at frame 442.5 (Pre-Mod. 2304)	1	—	B	
	29T4510	Connector (Pre-Mod. 748)	1	—		
10HB/1957625	41T4510	Connector, R.P.B. Plug 99 to Plug break . . . 906 at frame 442.5 (Mod. 748) (Pre-Mod. 2304)	1	—	B	
10HB/1957689	3T4511	Connector, R.P.B. Plug 881 to Plug break . . . 915 at frame 442.5 (Pre-Mod. 2017)	1	—	B	
10HB/1957640	4T4511	Connector, R.P.B. Plug 189 to Plug break . . . 916 at frame 442.5 (Pre-Mod. 2017)	1	—	B	
10HB/1940978	3T4776	Connector, R.P.B. Plug 942 to Audio filter . . .	1	—	B	
10HB/1957566	9T4776	Connector, junction box AN/ARC52 to . . . T.B.'s 1054 and 1060	1	—	B	
	13T4776	Connector	1	—		
10HB/1941006	14T4776	Connector, R.P.B. Plug 171 to T.B.'s 381, . . . 1062 and junction box AN/ARC/52	1	—	B	
10HB/4129545	15T4776	Connector, Transfer Switch to T/R ARC52/TR4	1	—	B	
10HB/4129546	16T4776	Connector, Transfer Switch to U.H.F. Aerial	1	—	B	
10HB/4129547	17T4776	Connector, R.P.B. Plug 931 to Transfer Switch	1	—	B	
10HB/6240375	18T4776	Connector, junction box AN/ARC/52 to . . . T/R ARC/52 TR4	1	—	B	
	5T4275	Connector (Pre-Mod. 748)	1	—		
10HB/1957564	5T4909	Connector, R.P.B. Plug 1016 to Radar Receiver	1	—	B	
10HB/1957518	8T4909	Connector, junction box 16507 to Radar Receiver	1	—	B	
10HB/1941007	9T4909	Connector, Aerial 4T5371 to Aerial 5T5371	1	—	B	
10HB/1957566	11T4909	Connector, T.B. 1088 to Radar Receiver . . .	1	—	B	
10HB/1957568	13T4909	Connector, T.B. 1088 to Junction Box 16507	1	—	B	
10HB/1957587	15T4909	Connector, R.P.B. Plug 170 to T.B. 1089 . .	1	—	B	
10HB/10253	17T4909	Connector, R.P.B. Plug 1017 to Junction . . . Box 16507	1	—	B	
10HB/4108341	5T4910	Connector	1	—		
10HB/4108345	9T4910	Connector	1	—		
10HB/6265142	3T8143	Connector, R.P.B. Plug 1034 to Plug 4, P.X. Radio, type 17170 (Mod. 2304)	1	—		
10HB/6265143	4T8143	Connector, R.P.B. Plug 191 to Plug 3 Power Supply Unit, type 17203 (Mod. 2304)	1	—		
10HB/1957682	3T6451	Connector, R.P.B. Plug 881 to Plug Break . . . 915 at FMR 442.5 (Mod. 2017)	1	—		
10HB/1957688	2T6451	Connector, R.P.B. Plug 189 to Plug Break . . . 916 at FMR 442.5 (Mod. 2017)	1	—		

RADIO AND RADAR INSTALLATION
CENTRE SECTION FUSELAGE

Ref. No.	Part No.	Description	No. off	Matl. Spec.	Cl. of St.	Plate and Illust'n No.
					M.R.	
		1 2 3 4				
INSTALLATION OF CABLES, CONNECTORS, FAIRLEADS AND TERMINAL BLOCKS (T4288, T4320 & T5498) (Cont'd)						
10HB/1957630	4T5808	Connector, R.P.B. Plug 173 to Coupling ... Unit 9546	1	—	B	
10HB/1957631	5T5808	Connector, R.P.B. Plug 172 to Coupling ... Unit 9546	1	—	B	
10HB/1957632	6T5808	Connector, R.P.B. Plug 178 to T/R RT636ARN/72	1	—	B	
10HB/1957633	7T5808	Connector, T/R RT636ARN/72 to T.B.952	1	—	B	
10HB/1957634	8T5808	Connector, T/R RT636ARN/72 to Coupling Unit 9546	1	—	B	
10HB/1940994	9T5808	Connector, T/R RT636ARN/72 to T.B.953	1	—	B	
10HB/1957486	10T5808	Connector, T/R RT636ARN/72 to Aerial .. 4169	1	—	B	
10HB/1957635	11T5808	Connector, Power Supply test equipment .. to T.B.953	1	—	B	
10HB/1957501	2T6206	Connector, Transfer Switch to T/R 175 ...	1	—	B	
10HB/1957500	5T6206	Connector, T/R 175 to V.H.F. Aerial	1	—	B	
10HB/1957693	11T6206	Connector, R.P.B. Plug 1199 to	1	—	B	
		Inter-comm. Box AN/ARC52				
10HB/1957694	12T6206	Connector, R.P.B. Plug 1200 to	1	—	B	
		Inter-comm. Box AN/ARC/52				
10HB/1940982	13T6206	Connector, R.P.B. Plug 1198 to	1	—	B	
		Inter-comm. Box AN/ARC/52				
10HB/1940981	14T6206	Connector, T/R 175 to Inter-comm. Box .. AN/ARC/52	1	—	B	
1510394	2T7774	Connector, R.P.B. PL1232 to I.F.F. TX/RX (Mod. 2155)	1	—	C	
1510406	4T7774	Connector, AE switch unit to AE list switch and T.B. 646(A) (Mod. 2155)	1	—	C	
1510408	6T7774	Connector, I.F.F. T/R to AE switch unit ... (Mod. 2155)	1	—	C	
10HB/1176577	7T7774	Connector, I.F.F. Aerial lower to AE switch unit, lower (Mod. 2155)	1	—	B	
10HB/1176576	8T7774	Connector, I.F.F. Aerial upper to AE switch unit, upper (Mod. 2155)	1	—	B	
1510395	3T7774	Connector, Doppler 72, Antenna unit (Mod. 2156)	1	—	B	
5X/9402794	—	Cover, 5-way, for T.B.	1	—	C	PA2/82
	13T3722	Fairlead	2	—		
	7T4288	Fairlead	2	—		
	9T4288	Fairlead	2	—		
	10T4288	Fairlead	8	—		
	22T4288	Fairlead, half	2	—		
	20T4288	Fairlead, half	2	—		
	4T3787	Fairlead	2	—		

RADIO AND RADAR INSTALLATION

CENTRE SECTION FUSELAGE

Ref. No.	Part No.	Description	No. off	Matl. Spec.	Cl. of St.	Plate and Illust'n No.
					M.R.	
		1 2 3 4				
		INSTALLATION OF CABLES, CONNECTORS, FAIRLEADS AND TERMINAL BLOCKS (T4288 & T4320) (Cont'd.)				
	22V5650	Jumper	1	—	MR	
	16T3113	Lead, bonding	2	—		
	HELLERMANN HC.302	Lug, bonding	1	—		
	19T4320	PLATE, MOUNTING, T.B., GROUP	1	—		PA1/83
		Spares for:—				
5CZ/1053794	—	Block, terminal	2	—	C	PA1/84
	20T4320	PLATE, MOUNTING, T.B., GROUP	1	—		PA2/85
		Spares for:—				
5X/6200370	1V5650	Block, terminal	2	—	C	PA2/86
5X/4491487	14V5650	Socket, double	1	—	C	
5X/4491488	15V5650	Socket, single	8	—	C	
	1T4877	PLUG, PLATE, GROUP (Pre-Mod. 748)	1	—		
	T4913	PLUG, PLATE, GROUP (Mod. 748)	1	—		
	PLESSEY CZ62275/1	Plug, socket (Pre-Mod. 748)	1	—	C	
10H/19610	—	Plug	2	—		PA2/87
5X/9994577	—	Socket	5	—	C	PA2/88
5X/4491488	15V5650	Socket, single	10	—	C	
10H/2206	—	Socket, mic-tel	2	—	B	PA1/89
	12T3874	SOCKET, INTERCOMM., GROUP	1	—		PA1/90
		Spares for:—				
	12aT3874	Box	1	—	MR	
	12cT3874	Base, plate	1	L72		
10HA/9326	—	Plug, type 3570	1	—	C	
	1T4726	TROUGH, NOSEWHEEL BAY, GROUP	1	—		PA1/91
		Spares for:—				
	2T3716	Bracket	1	L72		
	3T3716	Bracket	1	L72		
	4T3716	Bracket	1	L72		
	5T3716	Bracket	1	L72		
	6T3716	Bracket	1	L72		
	3T4001	Bracket	1	L72		
	1T4002	Trough, cable, forward portion	1	—		
	1T4003	Trough, cable, centre portion	1	—		
	1T4004	Trough, cable, aft portion	1	—		
	1T5008	Unit, audio	1	—		PA1/92
		MOUNTING, A.D.F. EQUIPMENT ABOVE No. 2 FUEL TANK BAY (T4112) Spares for:—				
	MARCONI XB-476	Bracket, stowage	1	—		

RADIO AND RADAR INSTALLATION
CENTRE SECTION FUSELAGE

Ref. No.	Part No.	Description	No. off	Mtl. Spec.	Cl. of St.	Place and Illust'n No.
					M.R.	
		1 2 3 4				
		MOUNTING, A.D.F. EQUIPMENT ABOVE No. 2 FUEL TANK BAY (T4112) (Cont'd)				
10AR/1026	—	Backplate	1	—	B	PA2/93
10D/19525	—	Box, junction, type 1629	1	—	A	PA2/94
5UC/4379169	—	Regulator, type 1355A	1	—	A	PA2/95
10D/19598	—	Receiver, type AD7902D	1	—	A	PA2/96
10K/18225	—	Transformer, type 1343	1	—	A	PA2/97
10K/16244	—	Transformer, type 1571	1	—	A	PA2/98
		MOUNTING, RADIO COMPASS AERIAL (T4114)	—	—	—	PA2/99
		Spares for:—				
	2T4114	Dishpan, aerial base plate	1	—		
	3T4114	Dishpan, radio compass aerial	1	—		
	4T4114	Window, aerial	1	—		PA2/100
		MOUNTING, RADIO ALTIMETER AERIALS AND TRANS-RECEIVER (T5371)				PA2/101
		Spares for:—				
5995-99-954-2631	—	Connector, aerial RX	1	—	B	
5995-99-954-2632	—	Connector, aerial TX	1	—	B	
10AJ/698	—	Mounting, type 16096	1	—	B	PA2/102
	4T5371	PANEL AND AERIAL, GROUP	1	—		
		Spares for:—				
10D/22920	—	Aerial	1	—	B	PA2/103
	6T5371	Panel	1	—		PA2/104
	5T5371	PANEL, AND AERIAL, GROUP	1	—		
		Spares for:—				
10D/22920	—	Aerial	1	—	B	PA2/105
	7T5371	Panel	1	—		PA2/106
5841-99-954-2617	—	Receiver, transformer (Mod. 2117)	1	—	A	PA2/107
		MOUNTING, PULSE ALTIMETER AERIALS, PORT (1T3417), STARBOARD (2T3417) (Pre-Mod. 360) PORT (1T4336) STARBOARD (2T4336) (Mod. 360)				PA2/108
		Spares for:—				
	3T3417	Mounting, aerial, port (Pre-Mod. 360)	1	—		PA2/109
	3T4336	Mounting, aerial, port (Mod. 360)	1	—		
	4T3417	Mounting, aerial, starboard (Pre-Mod. 360)	1	—		PA2/110
	4T4336	Mounting, aerial, starboard (Mod. 360)	1	—		
	SS4199/5	Screw, c'sk h'd., 2 BA x 5/8" long	25	MS	MR	
1999	7T3417	Window, 24" x 1/8" thick (Pre-Mod. 360)	1	Fibreglass	C	PA2/111
	7T4336	Window (Mod. 360)	1	—	MR	
2000	8T3417	Window, 24" x 1/8" thick (Pre-Mod. 360)	1	Fibreglass	C	PA2/112
	8T4336	Window (Mod. 360)	1	—	MR	

RADIO AND RADAR INSTALLATION
CENTRE SECTION FUSELAGE

Ref. No.	Part No.	Description	No. off	Matl. Spec.	Cl. of St.	Plate and Illust'n No.
					M.R.	
1 2 3 4						
RADIO AND RADAR INSTALLATION CENTRE SECTION (3T4292) (Cont'd)						
MOUNTING OF WINDOW FOR MARKER AERIAL (T4250)						
Spares for:—						
11888	2T4250	Cover, glass fibre	1	DTD5518	C	PA2/113
12981	3T4250	Plug	1	—	C	PA2/114
	4T3421	Washer, rubber	1	—		
MOUNTING OF LOW RANGE RADIO ALTIMETER AERIAL (T4539) (Pre-Mod. 360)						
Spares for:—						
8873	3T4539	Window, aerial	1	—		
8874	4T4539	Window, aerial	1	—		
MOUNTING, TUNING AND MATCHING UNIT, (T4298) (Pre-Mod. 2300) (T8082) (Mod. 2300)						
Spares for:—						
10AJ/73	AVA LTD. 2306	Absorber, vibration	4	—	B	PA2/115
	4T4298	BAR, CLAMPING, GROUP	1	—		PA2/116
	3T4298	BRIDGE, GROUP	1	—		
8760	416T3434	CABLE, (FR416), TUNING TO MATCHING UNIT, GROUP	1	—	B	
	26T4072	Clip	1	—		
	27T4072	Clip	1	—		
	2T4298	Feeder, aerial, copper tube 22G x 1/2" o/d ... x 39" long	1	T7		PA2/117
	8T4072	FRAME, TROLLEY, GROUP	1	—		PA2/118
22786	11T4072	Member, side, R.H.	1	—	C	
22785	12T4072	Member, side, L.H.	1	—	C	
	23T4072	Piece, distance	4	L65		
	24T4072	Plate	1	L72		
	2T8082	Plate, tapping (Mod. 2300)	1	—		
9574	7T4072	Ring, clamping	1	L16	C	
	21T4072	Roller	4	BSS927	MR	
	1T4071	Socket, P.T.F.E.	1	—	MR	
	10T4072	Socket, mounting	1	—	MR	
	15T4298	Strip, braiding, 10-1/2" long	2	—	MR	
22784	17T4298	Strip, braiding, 17" long	1	—	C	
22783	18T4298	Strip, braiding, 16-3/4" long	1	—	C	
22781	19T4298	Strip, braiding, 18-3/4" long	1	—	C	
22782	20T4298	Strip, braiding, 31-1/4" long	1	—	C	
		(Pre-Mod. 2300)				
27780	21T4298	Strip, braiding, 31-1/2" long (Pre-Mod. 2300) .	1	—	C	
9328	31T4072	Strip, braiding, 11" long	1	—	C	
1510511	2T8078	Strip, braiding (Mod. 2300)	1	—	C	
1510512	3T8078	Strip, braiding (Mod. 2300)	1	—	C	
1510513	4T8078	Strip, braiding (Mod. 2300)	1	—	C	
1510514	5T8078	Strip, braiding (Mod. 2300)	1	—	C	
1510515	6T8078	Strip, braiding (Mod. 2300)	1	—	C	
	22T4072	Strip, special	4	—		
10AJ/249	—	Tray, mounting, type 9056	1	—	B	PA2/119

RADIO AND RADAR INSTALLATION
CENTRE SECTION FUSELAGE

Ref. No.	Part No.	Description	No. off	Matl. Spec.	Cl. of St.	Plate and Illust'n No.
					M.R.	
		1 2 3 4				
		MOUNTING, TUNING AND MATCHING UNIT (T4298 & T8082) (Cont'd.)				
	1T4167	TROLLEY, H.F. AERIAL TUNING UNIT, GROUP	1	—		
	7T4167	Spares for:— LANYARD, GROUP	1	—		PA2/120
	7aT4167	Consisting of:—				
28FP/9469298	A407	Cable, 5 cwt, steel wire, 8-1/4" long	1	—		
	AGS136/A	Pin, quick release	1	—	C	
		Thimble	2	—		
	2T4167	Trolley	1	L72		PA2/121
10D/4096716	—	Unit, aerial tuning, type 7016	1	—	A	PA2/122
	16T4298	UNIT, MATCHING, GROUP (Pre-Mod. 2300)	1	—		
	3T8082	UNIT, MATCHING, GROUP (Mod. 2300)	1	—		
		Spares for:—				
9476	16aT4298	Adaptor	5	BS249	C	PA2/123
1510510	4T8082	Link, shorting (Mod. 2300)	1	—	C	
10B/4707634	—	Unit, matching type 7949	1	—	A	PA2/124
	20T4072	Washer, special	4	S1	C	
	5T3425	Plate, packing, I.F.F. Aerial	1	—		
13553	8T3425	Plate, packing, I.F.F. Aerial	1	—	C	
	1T5411	PLATE, BLANKING, HOMING AERIAL	1	—		
		REBECCA Mk. 10, GROUP				
		Spares for:—				
	2T5411	Plate, blanking	1	—		PA2/125
		R.C.M. INSTALLATION, FORWARD (60F11060) (Mod. 2368)				PA2/126
		Spares for:—				
10B/4700374	—	Aerial, type 9026	2	—	A	PA2/127
	23F11128	Fairing, removable (Stbd., only) (Mod. 1890)	1	—	MR	PA2/128
22758	2F1230	Lining, echo suppression (Mod. 1890)	1	—	C	
1510752	10F11649	Plate, counterpoise, forward	1	—		PA2/129
	13T4292	Plate, jointing, inboard	1	—		
	100F11061	Splitter, forward	1	—		PA2/130
	12T4292	Strap, butt	1	—		
	7SS4199	Screw, csk. hd. 2 BA	24	—	MR	
10AJ/213	—	Strap, mounting	1	—	B	PA2/131
	AMPHENOL	Switch, co-axial transfer	1	—	B	PA1/132
10F/1073841	CAGB-78	Transmitter, receiver type ARC-52/TR4	1	—	A	PA1/134
5821-99-942-8541	—					

RADIO AND RADAR INSTALLATION
CENTRE SECTION FUSELAGE

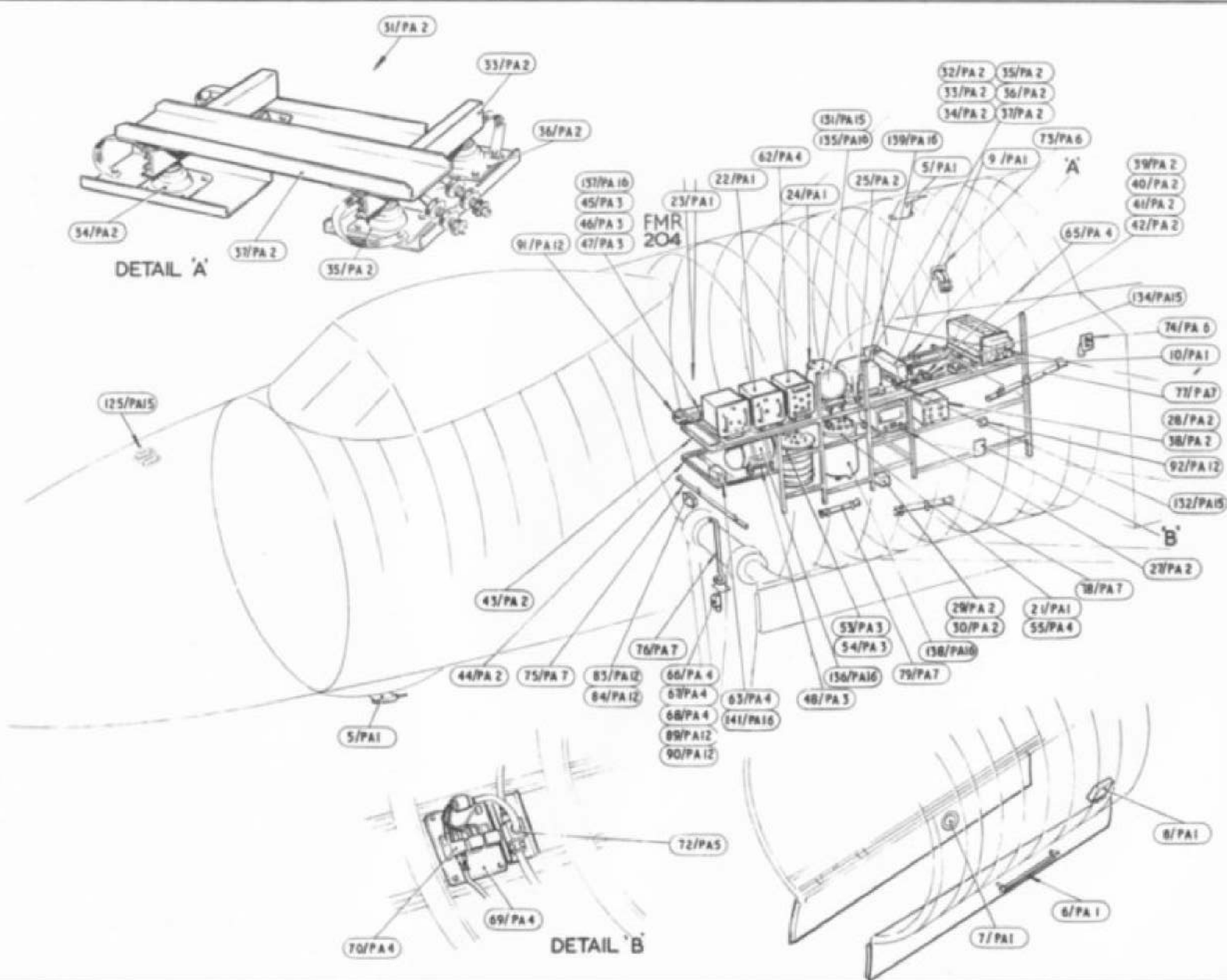
Ref. No.	Part No.	Description	No. off	Matl. Spec.	Cl. of St.	Plate and Illust'n No.
					M.R.	
		1 2 3 4				
MOUNTING, TUNING AND MATCHING UNIT (T4298, T8082) (Cont'd.)						
10D/4687810 5895-99- 956-3378	—	Transmitter, receiver, type 7923	1	—	A	PA1/135
	—	Transmitter, receiver, type 16928	1	—	A	PA1/136
		(Mod. 2155)				
10D6192118	—	Unit, power, type 729	1	—	A	PA1/137
9D/11	—	Unit, power, type Mk. 1	1	—	A	PA1/138
5821-99- 971-1781	—	Unit T/R, type P.T.R. 175	1	—	A	PA1/139
5895-99- 107-1521	—	Unit, switch, type 16941 (Mod. 2155)	1	—	A	PA1/141

RADIO AND RADAR INSTALLATION
SUMMARY OF STANDARD ITEMS

Stores Ref.		No. off	Stores Ref.		No. off	Stores Ref.		No. off
Section	Ref. No.		Section	Ref. No.		Section	Ref. No.	
28D	9706373	10	28M	9435559	10	28W	9419446	17
28D	9140635	2	28M	9434253	1	28W	9419401	14
28D	1010658	45	28M	11957	63	28W	9419454	122
28D	1008149	8	28M	9993192	10	28W	9419464	17
28D	9419452	18	28M	9434252	1	28W	9419485	542
28D	9140638	4	28M	12421	12	28W	9419402	406
28D	1010029	12	28M	10286	8	28W	9418921	45
28D	9435711	3	28M	1278189	175	28W	9419473	4
28D	9436920	1294	28M	1278190	366	28W	9419474	14
28D	9133011	104	28M	10275	8	28W	9419475	214
28D	9133012	40				28W	9419405	4
28D	1200119	7				28W	9419486	2
28D	9133013	14	28S	1201448	3	28W	9419404	16
28D	1011019	4	28S	9419435	14	28W	12588	1
28D	9435710	16	28S	1200034	4	28W	1200073	1
28D	9140649	4	28S	1200040	6	28W	1009752	26
28D	1212404	2	28S	1200033	1	28W	9416641	2
28D	1010031	4	28S	9140642	4	28W	9128181	4
28D	1011244	28	28S	9437020	6			
28D	7002413	4	28S	9131095	4			
28D	9706306	2	28S	9992997	1			
28D	7002440	2	28S	9435713	27			
28D	1214091	24	28S	1200047	6			
28D	9709461	23	28S	1007752	2			
28D	1007976	40	28S	1006948	2			
28D	1013172	6	28S	1017747	5			
28D	1214032	38	28S	1009986	2			
28D	9130082	12	28S	9992525	11			
28D	1007979	47	28S	1008327	2			
28D	1214865	16	28S	9992522	12			
28D	1214866	8	28S	9995376	15			
28D	1214867	2	28S	1007817	1			
28D	1214304	2	28S	1007405	1			
28D	9008191	12	28S	1011490	11			
28D	1214878	3	28S	9992523	43			
28D	9140202	26	28S	1011491	4			
28D	9137409	10	28S	1220007	1			
28D	1007982	82	28S	1200058	4			
			28S	1200060	6			
			28S	1200059	2			
28M	10290		28S	1200061	4			
28M	1013107	4	28S	1200062	4			
28M	9403518	2	28S	9992531	4			
28M	1011475	1	28S	9435716	4			
28M	9129528	9	28S	1200066	40			
28M	10292	4	28S	1005569	14			
28M	10278	1	28S	9992519	6			
28M	9433473	25	28S	9464989	2			
28M	7002430	4	28S	1214171	2			

RADIO & RADAR INSTALLATION
 CENTRE SECTION FUSELAGE

(1)

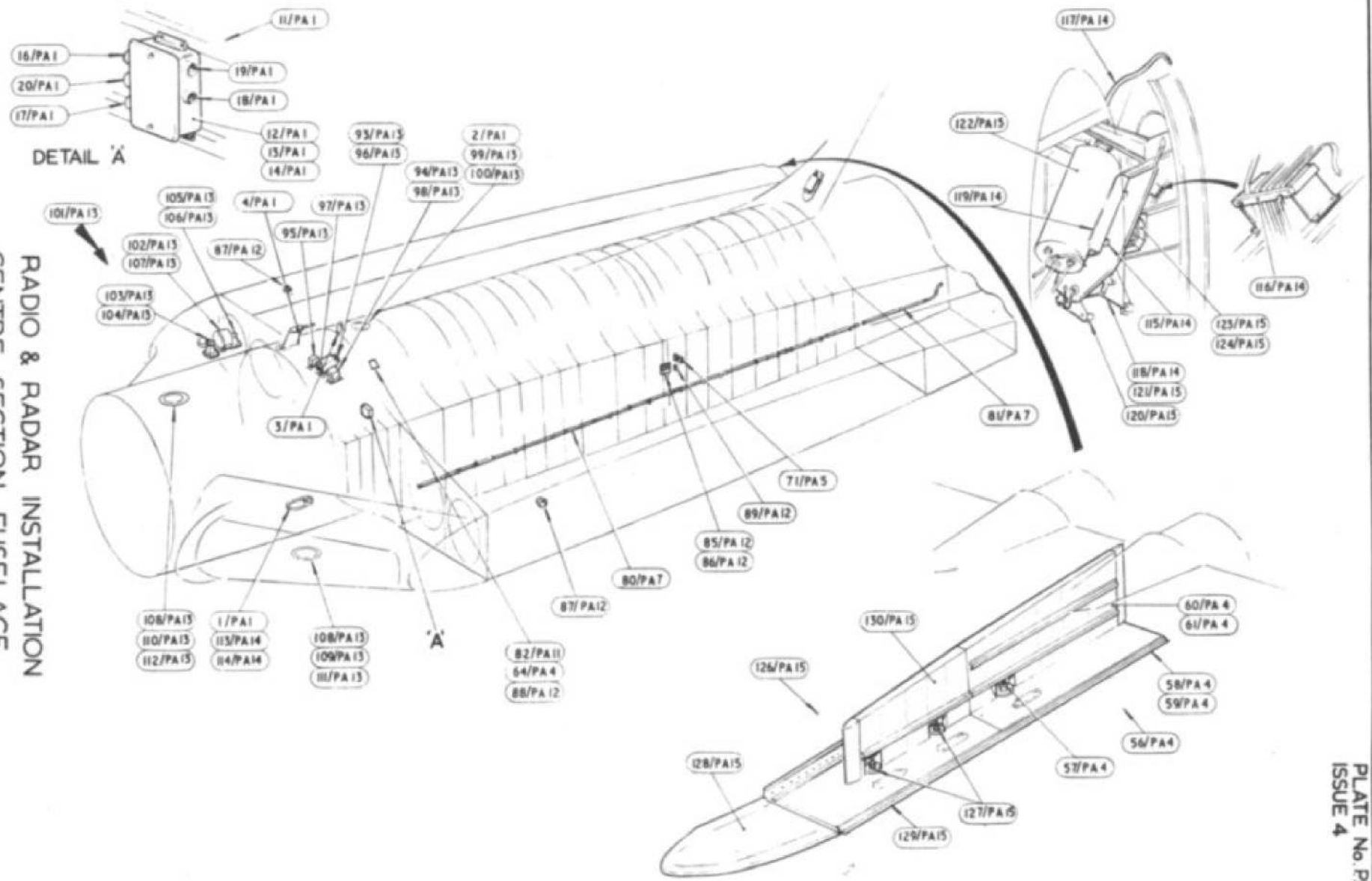


RESTRICTED

RESTRICTED

RADIO & RADAR INSTALLATION
 CENTRE SECTION FUSELAGE

(2)





This file was downloaded
from the RTFM Library.

Link: www.scottbouch.com/rtfm

Please see site for usage terms,
and more aircraft documents.