

RADIO AND RADAR INSTALLATION

CREW'S NACELLE

Ref. No.	Part No.	Description	No. off	Matl. Spec.	Cl. of St.	Plate and Illust'n No.
					M.R.	
		1 2 3 4				
RADIO AND RADAR INSTALLATION IN CREW'S NACELLE (2T4292)						
Spares for:—						
6B/633	—	Amplifier, G.P.1 (Pre-Mod. 748)	1	—	A	PB2/1 PB1/2 PB4/3
10D/4423787	—	Box, junction, type 157	1	—	A	
10D/4042156	—	Box, junction, type 16A	1	—	A	
9CA/105	—	Box, junction	1	—	A	
BOX, JUNCTION, MK. 7 RADIO ALTIMETER, A.R.I.5959 INSTALLATION (T6664) (Mod. 2057)						
Spares for:—						
	2T6820	BOX, JUNCTION, GROUP	1	—		PB1/4
Spares for:—						
36DE/4301002	2Z139596	Packing	1	—		
10F/0123877	CM5	Relay, type SM5 N33	2	—		
BOX, JUNCTION, A.R.I. 5959 INSTALLATION (T6657) (Mod. 2057)						
Spares for:—						
	2T6657	Angle, R.H.	1	L72		
	3T6657	Angle, L.H.	1	L72		
	3T6658	BOX, JUNCTION, GROUP	1	—		PB1/5
Spares for:—						
5CZ/6589	WARD BROOKE LTD. WB1110/5/10/B	Block, terminal	3	—		
1433144	6T6658	Cover (Mod. 2188)	1	—	C	
5CZ/9546256	WARD BROOKE LTD. WB1110/40	Link, 2 way, plain (Mod. 2188)	1	—		
	1T7780	LOOM, GROUP (Mod. 2188)	1	—		
5CW/4400161	PLESSEY 7CZ/105411/2	Relay	1	—	A	
	4T6657	Bracket, L.H.	1	L72		
	5T6657	Bracket, R.H.	1	L72		
9D/1373	—	Calculator, type 2	1	—	A	PB1/6
9D/1140	—	Calculator, type 3	1	—	A	PB1/7

RADIO AND RADAR INSTALLATION

CREW'S NACELLE

Ref. No.	Part No.	Description	No. off	Matl. Spec.	Cl. of St.	Plate and Illust'n No.
					M.R.	
		1 2 3 4				
		RADIO AND RADAR INSTALLATION IN CREW'S NACELLE (2T4292) (Cont'd)				
	T4495	CRATE, UNDER 1st PILOT'S FLOOR, GROUP	1	—		PB1/8
	133T4495	Spares for:— MEMBER, SUPPORT, GROUP	1	—		
	6T3793	Spares for:— Bolt, special	1	—		
	162T4495	MEMBER, SUPPORT, GROUP	1	—		
	10T3793	Stud, special	2	—		
	169T4495	Spacer (Mod. 2336)	1	—		
		CRATE AND MOUNTING STRUCTURE FOR GYRO AND E.U. COOLING UNIT (T5735)	—	—		
	21T5736	Spares for:— CRATE, GROUP	1	—		
17478	2T5736	Spares for:— Panel, louvre	1	—		
17479	3T5736	Panel, pressing	1	—		
	11T5776	MOUNTING, GYRO UNIT	1	—		
17481	8T5776	Spares for:— Bolt, special	2	—	C	
17480	5T5776	Clamp	2	—	C	
	1N2373	Cushion, knee	1	—	C	
17483	10T5776	Wedge	1	—	C	
17482	13T5776	Stud, bolt	1	—	C	

RADIO AND RADAR INSTALLATION
CREW'S NACELLE

Ref. No.	Part No.	Description	No. off	Matl. Spec.	Cl. of St.	Plate and Illust'n No.
					M.R.	
		1 2 3 4				
		RADIO AND RADAR INSTALLATION IN CREW'S NACELLE (2T4292) (Cont'd)				
	T4306	CRATE, UNDER 2nd PILOT'S FLOOR, GROUP	-	-		PB1/9
		Spares for:-				
16123	GB896/20/RG	Barry, mount	2	-	C	PB1/10
16124	GB896/35/RG	Barry, mount	2	-	C	PB1/11
	35T3695	Chain, Chandelier, 3/8" pitch	2	-		
22742	10T3696	Frame, mounting	1	-	C	PB1/12
	1T4649	MOUNTING, I/C J.B.'s FOR 2nd PILOT, ... GROUP	-	-		
		Spares for:-				
	5T4650	BOX, JUNCTION, GROUP	1	-		PB1/13
		Consisting of:-				
10D/4709927	-	Box, junction mic, type 7682	1	-	A	PB1/14
	5aT4650	Spill	8	-		
	7T4650	BOX, JUNCTION, GROUP	1	-		PB1/15
		Consisting of:-				
10D/4709928	-	Box, junction, Tel. type 7683	1	-	A	PB1/16
	2T4649	Channel	1	L72		
	3T4649	Channel	1	L72		
	AVIATION DEVELOPMENT					
28FP/1243707	A405	Pin, pip, quick release	2	-	C	
	TERRY & SON No. 169	Ring, split, 1/2" dia.	2	-		
	14T4306	STOP, RETAINING, GROUP	2	-		PB1/17
		Consisting of:-				
	14aT4306	Angle	1	-		
	14eT4306	Bolt	1	-		
	14bT4306	Nut, knurled	1	-	MR	
	14dT4306	Nut, anchor	1	-	MR	
	14fT4306	Plate	1	-		
	14cT4306	Stop	1	-	MR	
	8S1748	SWITCH, GROUP	1	-		
		Spares for:-				
5CW/6209280	ROTAX	Switch	1	-	C	PB1/17A
	1T4900	TRAY, MOUNTING, FOR GROUND SPEED RESOLVER, GROUP	1	-		PB1/18
		Spares for:-				
10681	7Z10470	Coupling, dummy	1	-		
10682	8Z10470	Coupling, dummy	1	-		
	T4817	CRATE FOR GEE RECEIVER AND WAVEFORM GENERATOR, GROUP	1	-		PB4/19

RADIO AND RADAR INSTALLATION
CREW'S NACELLE

Ref. No.	Part No.	Description	No. off	Matl. Spec.	Cl. of St.	Plate and Illust'n No.
					M.R.	
		1 2 3 4				
RADIO AND RADAR INSTALLATION CREW'S NACELLE (2T4292) (Cont'd)						
	T4818	CRATE, FOR V.H.F. SETS, GROUP	1	—		PB4/20
	17T3690	Spares for:— Angle	1	—		
	18T3690	Angle	1	—		
	AS2810/5/096	Tube, distance	2	—		
DETECTOR, AIRSTREAM DIRECTION UNIT, PORT AND STARBOARD (1 & 2D13199) FOR A.R.I.5959 INSTALLATION (Mod. 2057) Spares for:—						
10AR/1949038	DS/B/1507/1 DA NAV/ FERRANTI	Anchor	1	—	C	
6A/1109631	A51/56301 A51/56303 B51/50318 B51/56317 A51/56310	Clamp, stepwasher	8	—	C	
		Nut, spanner	8	—		
		Ring, adaptor	2	—		
		Ring, indexing	2	—		
		Ring, "O"	2	—		
6A/6456	—	Unit, A.D.D.	2	—	A	PB2/21
6B/6349772	—	Indicator, GP. Mk. 4 (Pre-Mod. 748)	1	—		
9CA/101	—	Indicator, GP. Mk. 6 (Mod. 748)	1	—		PB3/22
5826—99— 945—3807	—	Indicator, drift angle ground speed	1	—	A	PB3/23
6A/4244003	SPERRY LTD. 200050—0100	Indicator, C & D (Mod. 2091) (Pre-Mod. 2420)	2	—		PB2/24
9D/757	—	Indicator, wind	1	—	A	PB3/25
INSTALLATION OF CABLES, CONNECTORS AND EQUIPMENT (T4287) (T5499) Spares for:—						
	21T6351	Adaptor, connector (Mod. 2438)	1	—		
	5H/1	Block, terminal, 2-way	1	—		PB4/26
	5H/2	Block, terminal, 3-way	1	—		PB4/27
5X/9402803	CRABTREE TYPE 50451	Block, terminal, 5-way	1	—	C	PB4/28
	5H/6	Block, terminal	1	—		PB4/29
5X/6200370	1V5650	Block, terminal	2	—	C	PB3/30
	11T5499	Bracket, support (Mod. 2438)	1	—		
	12T5499	Bracket, V.R. (Mod. 2438)	1	—		
11059	200T3434	CABLE, EARTH, GROUP	5	—	C	
	248T3434	CABLE, (F248), TB.396 TO VOLTAGE REGULATOR, TYPE VR60, GROUP	1	—		
	249T3434	CABLE, (F249), GROUP	1	—		
	250T3434	CABLE, (F250), GROUP	1	—		
	296T3434	CABLE, (F296), TB.398 TO TB.400, GROUP (Pre-Mod. 2300)	1	—		

RADIO AND RADAR INSTALLATION

CREW'S NACELLE

Ref. No.	Part No.	Description	No. off	Matl. Spec.	Cl. of St.	Plate and Illust'n No.
					M.R.	
		1 2 3 4				
		INSTALLATION OF CABLES, CONNECTORS AND EQUIPMENT (T4287) (T5499)				
	297T3434	CABLE (F297), TB.398 TO TB.400 GROUP (Pre-Mod. 2300)	1	—		
	298T3434	CABLE (F298), TB.400 TO EARTH GROUP (Pre-Mod. 2300)	1	—		
	328T3434	CABLE (F328), GROUP	1	—		
	329T3434	CABLE (F329), GROUP	1	—		
	332T3434	CABLE (F332), GROUP	1	—		
	333T3434	CABLE (F333), GROUP	1	—		
	334T3434	CABLE (F334), GROUP	1	—		
	335T3434	CABLE (F335), GROUP	1	—		
	468T3434	CABLE (F468), GROUP (Pre-Mod. 748)	1	—		
	469T3434	CABLE (F469), GROUP (Pre-Mod. 748)	1	—		
11060	473T3434	CABLE, 3P TO TB.1027, GROUP	1	—	C	
11061	474T3434	CABLE, 3P TO 54P, GROUP	1	—	C	
11062	475T3434	CABLE, 3P TO 54P, GROUP	1	—	C	
11063	476T3434	CABLE, 4P TO 54P, GROUP	1	—	C	
11064	477T3434	CABLE, 48P TO 54P, GROUP	1	—	C	
	479T3434	CABLE (F479), 54P TO SWITCH, GROUP	1	—		
5995-99- 6379339	888T3434	CABLE (F888), 54P TO AUDIO FILTER UNIT, GROUP (Mod. 2441)	1			
	489T3434	CABLE (F489), 9P TO EARTH, GROUP	1	—		
	490T3434	CABLE (F490), GROUP	1	—		
	508T3434	CABLE (F508), CONTROL UNIT 9562 TO RELAY 631, GROUP	1	—		
	529T3434	CABLE (F529), SWITCH TO EARTH GROUP	1	—		
10175	546T3434	CABLE (F546), GROUP (Pre-Mod. 2017)	1	—	C	
11067	555T3434	CABLE, TB.1570 TO TB's 372, 373, GROUP	1	—	C	
11068	556T3434	CABLE, TB.1570 TO TB.1534, GROUP	1	—	C	

VULCAN Mk. 2

RADIO AND RADAR INSTALLATION
CREW'S NACELLE

Ref. No.	Part No.	Description				No. off	Matl. Spec.	Cl. of St.	Plate and Illust'n No.
		1	2	3	4			M.R.	
		INSTALLATION OF CABLES, CONNECTORS AND EQUIPMENT (T4287) (Cont'd)							
11069	557T3434					1	—	C	
11073	561T3434					1	—	C	
11074	562T3434					1	—	C	
11075	563T3434					1	—	C	
11076	564T3434					1	—	C	
11077	565T3434					1	—	C	
11078	566T3434					1	—	C	
	568T3434					1	—		
11081	570T3434					1	—	C	
11082	571T3434					1	—	C	
	589T3434					1	—		
	603T3434					1	—		
	604T3434					1	—		
	605T3434					1	—		
	606T3434					1	—		
	673T3434					1	—		
	674T3434					1	—		
	675T3434					1	—		

RADIO AND RADAR INSTALLATION
CREW'S NACELLE

Ref. No.	Part No.	Description	No. off	Matl. Spec.	Cl. of St.	Plate and Illust'n No.
					M.R.	
		1 2 3 4				
		INSTALLATION OF CABLES, CONNECTORS AND EQUIPMENT (T4287) (Cont'd)				
	678T3434	CABLE (F678), DIMMER SWITCHES GROUP	1	—		
	679T3434	CABLE (F679), GROUP (Pre-Mod. 748) . . .	1	—		
	686T3434	CABLE, TB.396 TO EARTH, GROUP	1	—		
	696T3434	CABLE, SWITCH TO 2nd PILOT'S JUNCTION BOX TEL., GROUP	1	—		
	697T3434	CABLE, SWITCH TO TB.1045, GROUP . . .	1	—		
	698T3434	CABLE, SWITCH MONITOR ALARM TO . . . JUNCTION BOX TEL. A.E.O's, GROUP	1	—		
	699T3434	CABLE, SWITCH MONITOR ALARM TO . . . TB.1045, GROUP	1	—		
	700T3434	CABLE, 54P TO TB.1045, GROUP	1	—		
	703T3434	CABLE (F703), GROUP	1	—		
17394	721T3434	CABLE, TB.400 TO 48P, GROUP (Pre-Mod. 2300)	1	—	C	
	726T3434	CABLE, AUDIO FILTER UNIT TO EARTH, GROUP	1	—		
	728T3434	CABLE, 54P TO AUDIO FILTER UNIT, . . . GROUP	1	—		
	729T3434	CABLE, 54P TO AUDIO FILTER UNIT, . . . GROUP	1	—		
	730T3434	CABLE, AUDIO FILTER UNIT TO TB.1038, GROUP	1	—		
	733T3434	CABLE, CONTROL UNIT 16095 TO 3P . . . AND EARTH, GROUP	1	—		
	735T3434	CABLE (F735), GROUP	1	—		
13538	741T3434	CABLE, TB's 373, 374 TO R.P.B. PLUG . . . 171, GROUP	1	—	C	
	743T3434	CABLE, 3P TO SWITCH, A.E.O's, GROUP	1	—		
	744T3434	CABLE, TB.396 TO SWITCH, A.E.O's, GROUP	1	—		
17049	811T3434	CABLE, GROUP	1	—	C	

RADIO AND RADAR INSTALLATION
CREW'S NACELLE

Ref. No.	Part No.	Description	No. off	Mati. Spec.	Cl. of St.	Plate and Illust'n No.
					M.R.	
		1 2 3 4 INSTALLATION OF CABLES, CONNECTORS AND EQUIPMENT (T4287) (Cont'd)				
	812T3434	CABLE, GROUP	1	—		
	813T3434	CABLE, PLUG BREAK 271 TO TONE SWITCH AND AERIAL SWITCH, GROUP	1	—		
	814T3434	CABLE, GROUP	1	—		
	839T3434	CABLE, GROUP (Mod. 1900)	1	—		
	840T3434	CABLE, GROUP (Mod. 1900)	1	—		
	841T3434	CABLE, GROUP (Mod. 1900)	1	—		
	847T3434	CABLE (F847), GROUP	1	—		
	849T3434	CABLE, 54P TO PLUG AND RELAY BOX, GROUP	1	—		
	855T3434	CABLE, GROUP	1	—		
	856T3434	CABLE, GROUP	1	—		
	861T3434	CABLE (F861), F.P.B. PLUG 1215 TO JUNCTION BOX T.6658, GROUP	1	—		
	864T3434	CABLE (F864), GROUP	1	—		
	868T3434	CABLE, GROUP (Mod. 2024)	1	—		
	869T3434	CABLE, GROUP (Mod. 2024)	1	—		
	870T3434	CABLE (F870), 6P TO 54P, GROUP	1	—		
	885T3434	CABLE, CIRCUIT FAIL PANEL TO PRESS TO TEST SWITCH, GROUP (Mod. 2139)	1	—		
	886T3434	CABLE, TB.1735 TO RELAY 822, GROUP (Mod. 2177)	1	—		
	14T6653	CABLE, GROUP (Mod. 2375)	1	—		
	11T4287	CLAMP, CABLE, GROUP	2	—		
10HA/14205	13T3406	Connector, junction box 157 to terminal .. block 396	1	—	B	
10HA/14206	14T3406	Connector, junction box 157 to terminal .. block, 396	1	—	B	
10HB/1957558	20T3406	Connector, junction box 157 to control ... unit 705	1	—	B	
10HB/1957497	21T3406	Connector, junction box 157 to control ... unit 705	1	—	B	

RADIO AND RADAR INSTALLATION

CREW'S NACELLE

Ref. No.	Part No.	Description	No. off	Matl. Spec.	Cl. of St.	Plate and Illust'n No.
					M.R.	
		1 2 3 4				
INSTALLATION OF CABLES, CONNECTORS AND EQUIPMENT (T4287) (Cont'd)						
10HA/1957498	22T3406	Connector, junction box 157 to control ... unit, 705	1	—	B	
10HA/1940911	8T3408	Connector	1	—		
10HA/1940915	11T3408	Connector	1	—		
10HA/1940916	12T3408	Connector	1	—		
10HB/1940917	13AT3408	Connector	1	—		
10HA/1940920	14AT3408	Connector	1	—		
10HA/1940921	16T3408	Connector (Pre-Mod. 748)	1	—		
10HA/1940923	17T3408	Connector	1	—		
10HA/1940970	20BT3408	Connector	1	—		
10HA/1940927	25BT3408	Connector	1	—		
	26T3408	Connector (Pre-Mod. 748)	1	—		
	27T3408	Connector (Pre-Mod. 748)	1	—		
10HB/1940928	29T3408	Connector	1	—		
	31T3408	Connector (Pre-Mod. 748)	1	—		
10HB/1940931	33T3408	Connector	1	—		
10HA/1941018	1AT3409	Connector	1	—		
10HA/1941020	2T3409	Connector	1	—		
10HA/1941021	3T3409	Connector	1	—		
10HA/1941023	5AT3409	Connector	1	—		
10HA/1941025	6AT3409	Connector	1	—		
10HA/1941027	7T3409	Connector	1	—		
10HA/1941028	8T3409	Connector	1	—		
10HA/1941029	10T3409	Connector	1	—		
10HA/1941030	11T3409	Connector	1	—		
10HA/1941031	12T3409	Connector	1	—		
10HA/1941032	13T3409	Connector	1	—		
10HA/1941033	41T3409	Connector	1	—		
10HA/1941034	42T3409	Connector	1	—		
10HB/1941035	48T3409	Connector	1	—		
10HB/1941036	49T3409	Connector	1	—		
10HB/1631	50T3409	Connector (Pre-Mod. 748)	1	—		
10HB/1941037	53T3409	Connector	1	—		
10HB/4115428	55T3409	Connector	1	—		
10HA/0013468	1T4053	Connector, power and radio unit to	1	—	B	
		transmitter T4188 (Pre-Mod. 2300)				
10HA/0013477	2T4053	Connector, transmitter T4188 to control ..	1	—	B	
		unit 4190 (Pre-Mod. 2300)				
10HA/0013475	3T4053	Connector, control unit 4190 to selector ...	1	—	B	
		unit 7003 (Pre-Mod. 2300)				
10HA/0013474	4T4053	Connector, control unit 4190 to JB.4191 ..	1	—	B	
		(Pre-Mod. 2300)				
10HA/0013473	5T4053	Connector, receiver R4187 to JB.4191	1	—	B	
		(Pre-Mod. 2300)				
10HA/0013471	6T4053	Connector, power and radio unit 4192 to ..	1	—	B	
		receiver R4187 (Pre-Mod. 2300)				
10HA/15339	7T4053	Connector, power and radio unit 4192 to ..	1	—	B	
		control unit 4190 (Pre-Mod. 2300)				

VULCAN Mk. 2

RADIO AND RADAR INSTALLATION
CREW'S NACELLE

Ref. No.	Part No.	Description	No. off	Matl. Spec.	Cl. of St.	Plate and Illust'n No.
					M.R.	
INSTALLATION OF CABLES, CONNECTORS AND EQUIPMENT (T4287) (Cont'd)						
10HA/0013470	8T4053	Connector, terminal block 398 to receiver . . . R.4187 (Pre-Mod. 2300)	1	—	B	
10HA/0013480	9T4053	Connector, control unit 4190 to receiver . . . R.4187 (Pre-Mod. 2300)	1	—	B	
10HA/0013479	10T4053	Connector, power and radio unit 4192 to . . . transmitter T.4188 (Pre-Mod. 2300)	1	—	B	
10HA/0013481	11T4053	Connector, control unit 4190 to R.P.B. break plug 490 (Pre-Mod. 2300)	1	—	B	
10HA/0013476	12T4053	Connector, selector unit 7003 to R.P.B. . . . break plug 489 (Pre-Mod. 2300)	1	—	B	
10HA/0013472	15T4053	Connector, power and radio unit 4192 to . . . terminal block 400 (Pre-Mod. 2300)	1	—	B	
10HA/0013485	16T4053	Connector, terminal blocks 398, 400 to . . . voltage regulator (Pre-Mod. 2300)	1	—	B	
10HA/0013479	17T4053	Connector, transmitter T.4188 to control . . . unit 4190 (Pre-Mod. 2300)	1	—	B	
10HB/2224028	15T4096	Connector, terminal blocks 1000, 1001, to R.P.B. break plug 177	1	—	B	
10HB/1940932	2T4272	Connector, junction block 164 to terminal block 596	1	—	B	
10HB/1940933	3T4272	Connector, junction block 164 to JB.157 . .	1	—	B	
10HB/1940975	9T4272	Connector, marker receiver R.1964 to R.P.B. break plug 508	1	—	B	
10HB/1940976	10T4272	Connector, marker receiver R.1964 to R.P.B. break plug 175	1	—	B	
10HB/1940977	11T4272	Connector, marker receiver R.1965 to R.P.B. break plug 187	1	—	B	
10HB/1940934	12T4272	Connector	1	—		
10HB/7834	4T4275	Connector (Pre-Mod. 748)	1	—		
10HB/8392	8T4275	Connector (Pre-Mod. 748)	1	—		
10HB/4224022	9T4275	Connector (Pre-Mod. 748)	1	—		
10HB/6240371	10T4275	Connector (Pre-Mod. 748)	1	—		
10HB/6240372	11T4275	Connector (Pre-Mod. 748)	1	—		
10HB/2228936	2T4276	Connector, terminal blocks 1000, 1001 to . . bearing and tuning indicator 1630	1	—	B	
10HB/2228937	3T4276	Connector, terminal blocks 1000, 1001 to . . bearing and tuning indicator 1630	1	—	B	
10HB/2228938	4T4276	Connector, loop controller 1342 to R.P.B. . . break plug 130	1	—	B	
10HB/2228939	5T4276	Connector, R.P.B. break plug 129 to control unit 1274	1	—	B	
10HB/1957589	6T4276	Connector, R.P.B. break plug 112 to shorting plug	1	—	B	

RADIO AND RADAR INSTALLATION
CREW'S NACELLE

Ref. No.	Part No.	Description	No. off	Matl. Spec.	Cl. of St.	Plate and Illust'n No.
					M.R.	
1 2 3 4						
INSTALLATION OF CABLES, CONNECTORS AND EQUIPMENT (T4287) (Cont'd)						
10HB/6687	2T4324	Connector, control unit 7216 to selector ... unit 7003 (Pre-Mod. 2300)	1	—	B	
10HB/6688	3T4324	Connector, control unit 4189 to JB.4191 ... (Pre-Mod. 2300)	1	—	B	
10HA/0013482	4T4324	Connector (Pre-Mod. 2300)	1	—	B	
	3T8077	Connector (Mod. 2300)	1	—		
10HA/0013469	7T4324	Connector (Pre-Mod. 2300)	1	—	B	
10HB/7765	8T4324	Connector, 54P to power and radio unit ... 4192 (Pre-Mod. 2300)	1	—	B	
10HA/0013495	3T4326	Connector	1	—		
10HA/0013494	4T4326	Connector	1	—		
10HA/0013496	5T4326	Connector	1	—		
10HB/1957706	2T4507	Connector, R.P.B. break plug 878 to ... control unit 9422	1	—	B	
10HB/1957707	3T4507	Connector, R.P.B. break plug 879 to ... control unit 9422	1	—	B	
10HB/1957708	4T4507	Connector, R.P.B. break plug 880 to ... control unit 9422	1	—	B	
10HB/1957718	32T4507	Connector, terminal block 1042 to control ... unit 9422	1	—	B	
10HB/1957702	2T4508	Connector, control unit 9456 to R.P.B. ... break plug 200	1	—	B	
10HB/1957696	2T4509	Connector, control unit 13436 to R.P.B. ... break plug 174	1	—	B	
10HB/1957700	8T4509	Connector, control unit 13436 to R.P.B. ... break plug 646	1	—	B	
10HB/1957594	5T4510	Connector, junction box 9775 to control ... unit 9562 (Pre-Mod. 2024) (Pre-Mod. 2304)	1	—	B	
10HB/	2T6692	Connector (Mod. 2024)	1	—		
10HB/1957595	6T4510	Connector, junction box 9775 to control ... unit 9562 (Pre-Mod. 2024) (Pre-Mod. 2304)	1	—	B	
10HB/1957699	3T6692	Connector (Mod. 2024)	1	—		
10HB/1957597	10T4510	Connector, F.P.B. break plug 884 to ... junction box 9775 (Pre-Mod. 2304)	1	—	B	
10HB/1957476	23T4510	Connector, F.P.B. break plug 886 to ... junction box 9775 (Pre-Mod. 2304)	1	—	B	
10HB/1957477	24T4510	Connector, junction box 9775 to R.P.B. ... break plug 883 (Pre-Mod. 2304)	1	—	B	
10HB/1957607	26T4510	Connector, junction box 9775 to R.P.B. ... break plug 190 (Pre-Mod. 2304)	1	—	B	
10HB/7461	28T4510	Connector (Pre-Mod. 748)	1	—		
10HB/1957616	30T4510	Connector, control unit 9562 to terminal ... block 1042 (Pre-Mod. 2304)	1	—	B	
10HB/1957622	43T4510	Connector, junction box 9775 to R.P.B. ... break plug 99 (Mod. 2008) (Pre-Mod. 2304)	1	—	B	
10HB/1957618	44T4510	Connector, F.P.B. break plug 885 to ... junction box 9775 (Mod. 2008) (Pre-Mod. 2304)	1	—	B	
10HB/	51T4510	Connector, junction box 9775 to control ... unit 9562 (Pre-Mod. 2024) (Pre-Mod. 2304)	1	—		
10HB/1957580	4T6692	Connector (Mod. 2024)	1	—		

RADIO AND RADAR INSTALLATION
CREW'S NACELLE

Ref. No.	Part No.	Description	No. off	Matl. Spec.	Cl. of	Plate and Illust'n No.
					St. M.R.	
		1 2 3 4				
INSTALLATION OF CABLES, CONNECTORS AND EQUIPMENT (T4287) (Cont'd)						
10HB/1957684	2T4590	Connector, 1st pilots control unit to junction box 7683	1	—	B	
10HB/1957531	4T4590	Connector, A.E.O's control unit 7681 to . . . junction box 7683	1	—	B	
10HB/7770	5T4590	Connector (Pre-Mod. 748)	1	—	B	
10HB/1957523	6T4590	Connector, Navigator Bomber control unit . 7683 to junction box 7683	1	—	B	
10HB/1957522	7T4590	Connector, 1st pilots control unit to junction box 7683	1	—	B	
10HB/1957532	8T4590	Connector, 2nd pilots control unit to junction box 7682	1	—	B	
10HB/1957521	9T4590	Connector, A.E.O's control unit 7681 to . . . junction box 7682	1	—	B	
10HB/7775	10T4590	Connector (Pre-Mod. 748)	1	—	B	
10HB/1957520	11T4590	Connector, Navigator Bombers control unit 7683 to junction box 7682	1	—	B	
10HB/1957527	12T4590	Connector, junction box 7682 to junction . box 7682	1	—	B	
10HB/1957528	13T4590	Connector, junction box 7682 to junction . box 7682	1	—	B	
10HB/1957526	14T4590	Connector, junction box 7682 to junction . box 7682	1	—	B	
10HB/1957525	15T4590	Connector, junction box 7682 to junction . box 7682	1	—	B	
10HB/1957529	16T4590	Connector, junction box 7683 to junction . box 7684	1	—	B	
10HB/1957530	17T4590	Connector, junction box 7682 to junction . box 7684	1	—	B	
10HB/1957524	18T4590	Connector, junction box 7683 to junction . box 7683	1	—	B	
10HB/1957539	19T4590	Connector, junction box 7683 to junction . box 7683	1	—	B	
10HB/1957546	20T4590	Connector, junction box 7683 to junction . box 7683	1	—	B	
10HB/1957547	21T4590	Connector, junction box 7683 to junction . box 7683	1	—	B	
10HB/1957545	22T4590	Connector, terminal block 1043 to junction box 7682	1	—	B	
10HB/1957544	23T4590	Connector, terminal block 1044 to junction box 7682	1	—	B	
10HB/1957535	27T4590	Connector, 54P to junction box 7684	1	—	B	
10HB/1957536	28T4590	Connector, 54P to junction box 7684	1	—	B	
10HB/1957543	29T4590	Connector, switch to junction box 7684 . . .	1	—	B	
10HB/1957537	30T4590	Connector, 54P to junction box 7684	1	—	B	
10HB/1957538	31T4590	Connector, 54P to junction box 7684 (Pre-Mod. 2304)	1	—	B	
10HB/1957533	32T4590	Connector, terminal block 1038 to junction box 7684	1	—	B	

RADIO AND RADAR INSTALLATION

CREW'S NACELLE

Ref. No.	Part No.	Description	No. off	Matl. Spec.	Cl. of St.	Plate and Illust'n No.
					M.R.	
		1 2 3 4				
INSTALLATION OF CABLES, CONNECTORS AND EQUIPMENT (T4287) (Cont'd)						
10HB/1957549	34T4590	Connector, 54P to JB.7684 (Pre-Mod. 2304)	1	—	B	
10HB/1957555	35T4590	Connector, TB's 372, 373 to JB.7684	1	—	B	
10HB/1957548	36T4590	Connector, amplifier, A1961 to 54P	1	—	B	
10HB/1957556	37T4590	Connector, amplifier, A1961 to 54P	1	—	B	
10HB/1957550	38T4590	Connector, TB to amplifier A1961	1	—	B	
10HB/1957557	39T4590	Connector, TB to amplifier	1	—	B	
10HB/1957551	40T4590	Connector, navigator's plotter control unit to JB.7683	1	—	B	
10HB/1957552	41T4590	Connector, navigator plotter control unit to JB.7682	1	—	B	
10HB/13710	46T4590	Connector, 54P to JB.7684	1	—		
	54T4590	Connector, TB to JB.7682	1	—		
	55T4590	Connector, TB.1069 to JB.7682	1	—		
	56T4590	Connector, TB.1068 to JB.7682	1	—		
10HB/1940990	2T4776	Connector, control unit C1607/ARC 52 ... to R.P.B. break 942	1	—	B	
10HB/1957485	8T4776	Connector, No. 1 U.H.F. Aerial to R.P.B. ... break plug 931	1	—	B	
10HB/7844	2T4798	Connector (Pre-Mod. 748)	1	—		
10HB/1957648	4T4798	Connector	1	—	B	
10HB/1957649	5T4798	Connector	1	—	B	
10HB/1957663	11T4798	Connector	1	—	B	
10HB/1957669	12T4798	Connector	1	—	B	
10HB/1957668	13T4798	Connector	1	—	B	
10HB/1957653	14T4798	Connector	1	—	B	
10HB/1957667	15T4798	Connector	1	—	B	
10HB/1957654	16T4798	Connector	1	—	B	
10HB/1957655	17T4798	Connector	1	—	B	
10HB/1957656	18T4798	Connector	1	—	B	
10HB/1957678	20T4798	Connector	1	—	B	
10HB/1957680	21T4798	Connector	1	—	B	
10HB/1957676	24T4798	Connector	1	—	B	
10HB/1957673	25T4798	Connector	1	—	B	
10HB/1957496	25T4798	Connector	1	—	B	
10HB/1957493	27T4798	Connector	1	—	B	
10HB/1957495	28T4798	Connector	1	—	B	
10HB/1957494	29T4798	Connector	1	—	B	
10HB/1957670	30T4798	Connector	1	—	B	
10HB/1957658	31T4798	Connector	1	—	B	
10HB/1957659	34T4798	Connector	1	—	B	
10HB/1957662	36T4798	Connector	1	—	B	
10HB/1957661	37T4798	Connector	1	—	B	
10HB/1957679	38T4798	Connector	1	—	B	
10HB/1957651	39T4798	Connector	1	—	B	
10HB/1957657	237T4798	Connector (Pre-Mod. 748)	1	—		
10HB/1957681	40T4798	Connector, (Mod. 2439 Part 'A')	1	—		
		free fall aircraft				
10HB/1957681	40T4798	Connector, (Mod. 2439 Part 'B') ex Blue ... Steel aircraft	1	—		
10HB/1957569	3T4909	Connector, JB.16017 to control unit — ... 16095	1	—	B	

VULCAN Mk. 2

RADIO AND RADAR INSTALLATION

Page PB. 10A

CREW'S NACELLE

Ref. No.	Part No.	Description	No. off	Matl. Spec.	Cl. of St.	Plate and illust'n No.
					M.R.	
		1 2 3 4				
		INSTALLATION OF CABLES, CONNECTORS AND EQUIPMENT (T4287) (Cont'd)				
10HB/1957563	4T4909	Connector, JB.16107 to R.P.B. break plug 1016	1	—	B	
10HB/1957567	12T4909	Connector, JB.16107 to auto-pilot	1	—	B	
10HB/6265115	57T4590	Connector, 54P to JB.7684 (Mod. 2304)	1	—		
10HB/6265116	58T4590	Connector, 54P to JB.7684 (Mod. 2304)	1	—		
10HB/6265134	59T4590	Connector, 54P to JB.7684 (Mod. 2304)	1	—		
10HB/1957559	14T4909	Connector, 3P to R.P.B. plug 170	1	—	B	
	18T4909	Connector, JB.16107 to pilot's panel	1	—		
	21T4909	Connector, JB.2T6820 to R.P.B. plug 1017	1	—		
	22T4909	Connector, JB.16107 to JB.2T6820	1	—		
10HB/4108339	3T4910	Connector	1	—	B	
10HB/4108340	4T4910	Connector	1	—	B	
10HB/4108342	5T4910	Connector	1	—	B	
10HB/4108344	8T4910	Connector	1	—	B	
10HB/4108346	10T4910	Connector	1	—	B	
10HB/4108347	11T4910	Connector	1	—	B	
10HB/4101631	2T5142	Connector	1	—	B	
10HB/4101632	3T5142	Connector	1	—	B	
10HB/4101633	4T5142	Connector	1	—	B	
10HB/4113683	8T5142	Connector	1	—	B	
10HB/4113002	22T5203	Connector	1	—	B	
10HB/4113003	24T5203	Connector	1	—	B	
	6T5246	Connector, recorder time unit to 11P	1	—		
	7T5246	Connector, recorder time unit to switch panel, navigator's station	1	—		
	8T5246	Connector, recorder time unit to JB.75142	1	—		
	6T5510	Connector (Mod. 2024)	1	—		
	7T5510	Connector (Mod. 2024)	1	—		
	5T5576	Connector	1	—		
10HB/1957608	2T5808	Connector	1	—		
10HB/1957629	3T5808	Connector	1	—		
	3T6195	Connector, JB.16107 to radio altimeter Mk. 7B	1	—		
	4T6195	Connector, JB.16107 to radio altimeter Mk. 7B	1	—		
10HB/1940983	3T6206	Connector, control unit C.1607/4 to R.P.B. plug 1198	1	—	B	
10HB/1957692	7T6206	Connector, 54P to R.P.B. break plug 1199	1	—	B	
10HB/17420	5T6254	Connector, from TB.1073	1	—	B	
	18T6286	Connector	1	—		
	19T6286	Connector	1	—		
	16T6351	Connector (Mod. 2034)	1	—		
1510526	20T6351	Connector (Mod. 2348) (Pre-Mod. 2438)	1	—	B	
	2T6391	Connector (Mod. 1900)	1	—	B	
	10T6451	Connector, TB's 1945, 1735, indicator control unit to R.P.B. plug breaks 189 and 881	1	—		

RADIO AND RADAR INSTALLATION

CREW'S NACELLE

Ref. No.	Part No.	Description	No. off	Matl. Spec.	Cl. of St.	Plate and Illust'n No.
					M.R.	
		1 2 3 4				
INSTALLATION OF CABLES, CONNECTORS AND EQUIPMENT (T4287) (Cont'd)						
10HB/17271	6T6653	Connector	1	—	B	
10HB/1115384	7T6653	Connector, control unit T.6654 to JB T. 6658 (Mod. 2123)	1	—	B	
10HB/1115385	8T6653	Connector, JB T.6658 to JB T.6820	1	—	B	
10HB/1115386	9T6653	Connector, F.P.B. break plug 1216 to	1	—	B	
10HB/1069429	8T6451	Connector, R.P.B. plug 881 and 189 to ... indicator control unit (Mod. 2017)	1	—	B	
10HB/1984051	10T6451	Connector, R.P.B. Plug 881 and 189 to ... indicator control unit (Mod. 2173)	1	—	B	
10HB/1115387	10T6653	Connector, junction box T.6658 to	1	—	B	
10HB/1115862	12T6653	A.D.D. unit, port (Mod. 2123)	1	—	B	
	13T6653	Connector, A.D.D. monitor to TB. (Mod. 2188)	1	—	B	
		Connector, control unit T.6654 to TB.767 (Mod. 2375)	1	—		

RADIO AND RADAR INSTALLATION

CREW'S NACELLE

Ref. No.	Part No.	Description	No. off	Matl. Spec.	Cl. of St.	Plate and Illust'n No.
					M.R.	
		1 2 3 4				
INSTALLATION OF CABLES, CONNECTORS AND EQUIPMENT (T4287) (Cont'd)						
1510395	3T7774	Connector, I.F.F. control unit and fail indicator to R.P.B. plug 1232 (Mod. 2155) (Pre-Mod. 2304)	1	—	C	
	11T7774	Connector, I.F.F. control unit and fail indicator to R.P.B. plug 1232 (Mod. 2304)	1	—		
1510405	9T7774	Connector, TB.1846 to press to test lamp C1101/C/7 (Mod. 2155) (Pre-Mod. 2304)	1	—	C	
	10T7774	Connector, TB.1846, to press to test lamp (Mod. 2304)	1	—		
10HB/17559	2T7824	Connector (Mod. 2256)	1	—	B	
	2T8077	Connector (Mod. 2300)	1	—		
	4T8077	Connector (Mod. 2300)	1	—		
10HB/6265137	2T8143	Connector, plug break 191 to indicator unit 17171 (Mod. 2304)	1	—	B	
10HB/6265135	9T8143	Connector, TB.1758 to control unit 17172 (Mod. 2304)	1	—	B	
10HB/6265136	10T8143	Connector, R.P.B. plug break 1034 to control unit 17172 (Mod. 2304)	1	—	B	
5X/9402796	52360	Cover, terminal block	1	—	C	PB4/31
5X/9402795	52361	Cover, terminal block	1	—	C	PB4/32
5X/9402794	52362	Cover, terminal block	1	—	C	PB4/33
	5H/12	Cover, terminal block	1	—		PB4/34
	13T4287	Fairlead, half	2	—		PB4/35
	16T4287	Fairlead, half	2	—		PB4/36
	3T3722	Fairlead, half (Pre-Mod. 748)	2	—		
	16T3722	Fairlead, half	2	—		PB4/37
5L/9959182	—	Filament	1	—	C	PB3/38
	PAGE					
10F/9561624	C500/C8	Indicator	1	—	A	PB3/39
	1T5140	PLATE, STOWAGE, GROUP	1	—		PB3/40
	36T3722	PLATE, SHORTING, GROUP (Pre-Mod. 2349) (A/c with BLUE STEEL)	1	—		
	42T3722	PLATE, SHORTING, GROUP (Mod. 2349) (A/c with BLUE STEEL)	1	—		PB3/41
10H/18830	—	Spares for:— CLAMP, GROUP (Pre-Mod. 2349)	1	—	C	
	36aT3722	Plate (Pre-Mod. 2349)	1	—		
	42aT3722	Plate (Mod. 2349)	1	—		
10H/20297	—	Plug (Pre-Mod. 2349)	1	—	C	
10H/19460	—	Plug (Mod. 2349)	1	—	C	
	8216-1103	Potentiometer (Mod. 2438)	1	—		

RADIO AND RADAR INSTALLATION

CREW'S NACELLE

Ref. No.	Part No.	Description	No. off	Mati. Spec.	Cl. of St.	Plate and Illust'n No.
					M.R.	
		1 2 3 4				
		INSTALLATION OF CABLES, CONNECTORS AND EQUIPMENT (T4287) (Cont'd)				
5X/5806535	5H/17	Socket, single	1	—		PB4/42
5X/9402798	5H/18	Socket, double	2	—		PB4/43
	J400A	Socket, jack (Mod. 2438)	1	—		
5X/9994577	AS2605	Socket, single	1	—	C	PB4/44
5X/9402799	AS2606	Socket, double	9	—	C	PB4/45
5X/4491488	15V5650	Socket, single	10	—	C	PB3/46
5CY/4376514	G-5 No. 6	Suppressor (Pre-Mod. 748)	1	—	C	
		TROUGHS, RADAR, BETWEEN FORMERS 316 AND 218, PORT (20T3715)				
		Spares for:—				
	1T4060	Cover, forward	1	—	MR	PB2/47
	1T4061	Cover, centre	1	—	MR	PB2/48
	1T4062	Cover, aft	1	—	MR	PB2/49
	1T3735	Trough, forward	1	—		PB2/50
	4T3735	Trough, aft	1	—		PB2/51
		TROUGH, CABLE, AFT OF NAVIGATOR'S TABLE, STARBOARD (9T4085)				
		Spares for:—				
	1T4082	Cover	1	—		PB4/52
	3T4080	Trough	1	—		PB4/53
		TROUGH, RADAR, ACROSS FRONT PRESSURE DOME (T4073)				
		Spares for:—				
22731	2T3712	Bracket, attachment	2	—		
	2T4073	Bracket, attachment	1	—		
22730	4T3712	Bracket, attachment	2	—	C	
22732	5T3712	Bracket, attachment	2	—		
	3T4073	Bracket, attachment	1	—		
	4T4073	Bracket, attachment	1	—		
	6T4073	Bracket, attachment	1	—		
	1T4076	Cover	1	—		PB1/54
	1T3742	Cover	1	—		PB1/55
	1T4074	TROUGH, GROUP	—	—		PB1/56
		Spares for:—				
	7T3732	Bolt	4	S94		
	9T3739	Clamp	4	L72	MR	
	3T/3732	Guide, for clamp	8	L40		
	6V5962	Nut, knurled	4	S1	MR	
	8T3732	Sleeve, for bolt	4	P.V.C.		
	2T4074	Trough	1	—		PB1/57
	3F/3732	Trough	1	—		PB1/58
		TROUGH, RADAR, BETWEEN FORMERS 302 AND 218, STARBOARD (T4077)				
		Spares for:—				
6961	1T4086	Cover	1	—	C	PB2/59
	1T4087	Cover	1	—		PB2/60
3535	1T3734	Trough	1	—	C	PB2/61

RADIO AND RADAR INSTALLATION
CREW'S NACELLE

Ref. No.	Part No.	Description	No. off	Matl. Spec.	Cl. of St.	Plate and illust'n No.
					M.R.	
		1 2 3 4				
		TROUGH, RADAR, ACROSS FRONT PRESSURE DOME (T4073) (Cont'd)				
	1T5008	UNIT, AUDIO FILTER, GROUP	2	—		PB2/62
5CZ/1053794	—	Spares for:—				
	15V9900	Block, terminal, 2-way	1	—	C	
	6T5008	Box	1	—		
10F/20366	—	Coil, assembly	1	—		
		Key, morse, type 51	1	—		PB3/63
		MOUNTING, OF JUNCTION BOX AT NAVIGATOR'S STATION (T6188)				
		Spares for:—				
	1T6187	BOX, JUNCTION, GROUP	1	—		PB4/64
		Spares for:—				
5935-99-		Plug, fixed	1	—	C	
056-0151	—					
5935-99-		Socket, fixed	1	—	C	
056-0260	—					
5935-99-		Socket, fixed	1	—	C	
056-0331	—					
		MOUNTING OF TONE GENERATOR (T6396) (Mod. 1900)				
		Spares for:—				
17475	2T6396	Bracket	1	—	C	
7956	AY12/SS4234	Clip, half	2	—	C	
7955	AY5/SS4234	Clip, half	2	—	C	
	PENNY & GILES					
	R.G.S. 1507/	Generator, tone	1	—		PB1/65
	D3043					
5K/1037443	AS3360/C6C	Lead, bonding	1	—	C	
		MOUNTING OF TRANSDUCER AND TERMINAL BLOCK (T6395) (Mod. 1900)				
		Spares for:—				
5CZ/1053794	—	Block, terminal, 2-way	1	—	C	PB1/66
	2T6395	Bracket	1	—		
	3T6395	Bracket	1	—		
	4T6395	Bracket	1	—		
	6T6395	Bracket	1	—		
	PENNY & GILES					
	P.G.S.1502/02401	Transducer	1	—		PB1/67

**RADIO AND RADAR INSTALLATION
CREW'S NACELLE**

Ref. No.	Part No.	Description	No. off	Matl. Spec.	Cl. of St.	Plate and Illust'n No.
					M.R.	
		1 2 3 4				
<p style="text-align: center;">RADIO AND RADAR INSTALLATION IN CREW'S NACELLE (2T4292) (Cont'd)</p>						
<p style="text-align: center;">MOUNTING FOR TIMING UNIT AND FLIGHT DATA RECORDER, UNDER PILOT'S FLOOR (7T6287)</p>						
Spares for:—						
22749	1T5249	Adaptor	1	—	C	
	2T6287	CHANNEL, MOUNTING, GROUP	2	—		PB1/68
Spares for:—						
	3T5235	Bolt, stud	4	—		
10AJ/136	2aT6287	Channel	1	—		
10A/17930	—	Mounting, A.V.	2	—	B	PB1/69
	—	Washer, check	2	—	C	
	5T6287	Member, top hat	2	—		
	3T6287	Member, top hat	2	—		
22747	1T5248	TRAY, MOUNTING, GROUP	1	—	B	PB1/70
Spares for:—						
22748	4T5248	Quick release, assembly	1	—	C	PB1/71
Consisting of:—						
	4aT5248	Block	2	—		
	4bT5248	Clamp	2	—		
	4cT5248	Nut, knurled	2	—		
10AJ/137	—	Mounting, A.V.	2	—	B	PB1/72
10AJ/144	—	Mounting, A.V.	2	—	B	PB1/73
	2T5248	Plate, cover, assembly	1	—		PB1/74
<p style="text-align: center;">MOUNTING FOR STR. 18/B2 H.F. EQUIPMENT (T4919) (Pre-Mod. 2300)</p>						
Spares for:—						
10D/19066		Box, junction, type 4191	1	—	A	PB3/75
	S.T.C. LTD. L93997/206	Tray, mounting	1	—		PB3/76
	S.T.C. LTD. L93997/206	Tray, mounting	1	—		PB3/77
<p style="text-align: center;">MOUNTING OF TRANSMITTER RECEIVER (T8080) (Mod. 2300)</p>						
Spares for:—						
10AJ/9451643	—	Mount, resilient	1	—		
<p style="text-align: center;">MOUNTING OF N.B.C. JB AND RESISTANCE UNIT (1T3728) (Pre-Mod. 748)</p>						
<p style="text-align: center;">MOUNTING OF N.B.C. RESISTANCE UNIT (T4911) (Mod. 748)</p>						
Spares for:—						
9D/12	—	Unit, resistance, Mk. 1	1	—	A	PB4/78
<p style="text-align: center;">MOUNTING OF N.B.C. JUNCTION BOX (T4933)</p>						
Spares for:—						
9D/1399	—	Box, junction, type 343 Mk. 2	1	—	A	PB4/79
	2T3728	Bracket, support	1	—		
	9T3728	Bracket, support	1	—		

RADIO AND RADAR INSTALLATION
CREW'S NACELLE

Ref. No.	Part No.	Description	No. off	Matl. Spec.	Cl. of St.	Plate and Illust'n No.
					M.R.	
			1	2	3	4
RADIO AND RADAR INSTALLATION IN CREW'S NACELLE (2T4292) (Cont'd)						
MOUNTING OF JUNCTION BOX (T5378)						
Spares for:—						
10D/21798	—	Box, junction, type 16107	1	—	B	PB1/80
MOUNTING OF JUNCTION BOX, TYPE 7684 (T4651) (Mod. 2304)						
Spares for:—						
5X/6200370	1V5650	Block, terminal	1	—	C	PB4/81
10D/4709929	—	Box, junction, type 7684	1	—	A	PB4/82
5935—99—	—	Cap, protective	2	—	C	PB4/83
097—0055	—	Label	1	—		
	681V7728					
	PLESSEY					
5CW/4400161	7CZ/105411/2	Relay (Pre-Mod. 2304)	1	—	A	PB4/84
5X/4491488	15V5650	Socket, single	1	—	C	
5X/4491487	14V5650	Socket, double	1	—	C	
MOUNTING OF JUNCTION BOX, TYPE 6205 (T8846) (Mod. 2411 S.O.O.)						
Spares for:—						
10D/20817	—	Box, junction, type 6205	1	—	B	PB4/84A
28S/9992997	A31/C18	Screw, 2 BA	6	—	C	PB4/84B
28W/9419454	SP10/C	Washer, 2 BA	6	—	C	PB4/84C
MOUNTING OF JUNCTION BOX FOR HEADING REF. SYSTEM (T5685)						
Spares for:—						
	T5141	BOX, JUNCTION MOUNTING, GROUP	1	—		PB1/85
Spares for:—						
10D/4418427	—	Box, junction, type 16049	1	—	A	PB1/86
	1T4902	Bracket, mounting	1	—		PB1/87
10AJ/756	—	Mounting	1	—	B	PB1/88
MOUNTING OF JUNCTION BOX (T4708)						
Spares for:—						
10D/4419527	—	Box, junction, type 9775	1	—	A	PB4/89
MOUNTING OF RELAY BOX FOR SIM. BOMBING (T4825)						
Spares for:—						
11357	10T4607	BOX, RELAY, GROUP (Mod. 1427)	1	—	A	PB2/90
Spares for:—						
	2T4607	Box, plug and relay	1	—		PB2/91
	T.C.C.					
5910—99—	—	Capacitor	1	—	C	PB2/92
012—4700	—	Plate, mounting	1	—		
	4T4607	Plug	1	—	C	PB2/93
10H/0560070	—					
	ERIE					
5905—99—	—	Resistor, 27K (Pre Mod. 1427)	1	—	C	PB2/94
022—2181	—					
5905—99—	—	Resistor, 560Ω (Mod. 1427)	1	—	C	PB2/95
022—1205	—					
5905—99—	—	Resistor, 4.7KΩ	1	—		PB2/96
022—2085	—					
5905—99—	—	Resistor, 680Ω	1	—	C	PB2/97
011—3483	—					

RADIO AND RADAR INSTALLATION

CREW'S NACELLE

Ref. No.	Part No.	Description	No. off	Mati. Spec.	Cl. of St.	Plate and Illust'n No.
					M.R.	
		1 2 3 4				
MOUNTING OF RELAY BOX FOR SIM. BOMBING (T4825) (Cont'd)						
5945-99-011-9239	G.E.C. LTD.	Relay	1	—	B	PB2/98
5945-99-011-9253	—	Relay	1	—	B	PB2/99
10H/0560250	5T4607	Seal, rubber	1	—	MR	PB2/100
10AJ/9487904	—	Socket	1	—	C	PB2/101
	A.V.A. LTD.	Mounting, A.V.	1	—	C	PB2/101
	A.V.A.2305/H					
MOUNTING OF CONTROL UNIT (4796)						
Spares for:—						
10L/263	—	Unit, control, type 705	1	—	A	PB2/102
MOUNTING OF CONTROL UNIT, 2nd PILOTS STATION (T4822)						
Spares for:—						
	2T4822	Bracket, mounting	1	—		
	3T4822	Bracket, mounting	1	—		
	4S2107	Clip, half, special	1	—		
10L/4708907	—	Unit, control, type 7681 (Pre-Mod. 2304)	1	—	A	PB1/103
10L/16836	—	Unit, control, type 7681B (Mod. 2304)	1	—	A	
MOUNTING OF TRANSDUCER, A.R.I.5959 INSTALLATION (T6185) (Mod. 2057)						
Spares for:—						
6A/10432	PENNY & GILES D3457	Transducer, type P.P.4D	1	—	A	PB1/104
MOUNTING OF HEAD-UP INDICATOR BRACKET, A.R.I.5959 INSTALLATION (T6663) (Mod. 2057)						
Spares for:—						
5X/6200370	1V5650	Block, terminal	2	—	C	PB2/105
10AR/9561688	10T6663	Bracket (Pre-Mod. 2420)	1	—	C	
	13T6663	Bracket	1	—		
	14T6663	Bracket	1	—		
	H. K. PORTER LTD.					
5L/9951273	C18091	Clamp (Pre-Mod. 2420)	2	—		
5CX/1069	—	Filament	2	—	C	PB2/106
	—	Lamp, warning	2	—	C	PB2/107
	15T6663	Plate, reinforcing (Mod. 2091)	1	L72		
5X/4491488	15V5650	Socket, single	8	—	C	PB2/108
MOUNTING OF A.D.D. MONITOR AND T.B. (T7744) (Mod. 2188)						
Spares for:—						
26FP/8735	2T7744	PLATE, GROUP	1	—		PB1/108A
	—	Spares for:—				
	1V5650	Block, terminal	1	—	C	PB1/108B
	GJ5M	Diode	1	—		PB1/108C
	FERRANTI					
	3851/60077	Monitor, A.D.D.	1	—		PB1/108D

RADIO AND RADAR INSTALLATION
CREW'S NACELLE

Ref. No.	Part No.	Description	No. off	Matl. Spec.	Cl. of St.	Plate and Illust'n No.
					M.R.	
		1 2 3 4				
MOUNTING, I.L.S. VOLTAGE REGULATOR I/C, AMPLIFIER AND I/C JB (T4538) (Cont'd)						
5945-99- 011-9239	22V5650	Jumper	2	—	MR	PB2/126
5945-99- 011-9244	—	Relay, 543	1	—	B	PB2/127
5X/4491487	14V5650	Relay, 544	1	—	B	PB2/128
5X/4491488	15V5650	Socket, double	3	—	C	PB2/129
		Socket, single	40	—	C	PB2/130
	1T5940	LOOM, CABLE, GROUP	1	—		
5X/9402794	52362	Cover, terminal block	1	—	C	PB2/131
5X/9402800	AS2666	Link	1	—	C	PB2/132
10AJ/154	—	Mpunting, A.V.	1	—	B	PB2/133
	2T4744	Panel (54P)	1	—		PB2/134
5X/9402799	AS2606/2	Socket	5	—	C	PB2/135
5UC/4379142	—	Regulator, voltage	1	—	A	PB2/136
10A/19421	—	Washer, check	3	—	C	
MOUNTING, SWITCH, RELAY AND LAMP PANEL ON 9P (T6274) (Mod. 2007)						
Spares for:—						
5L/9951273	2T6274	Bracket, switch panel	1	—		PB3/137
5CX/1085815	—	Filament	1	—	C	PB3/138
	—	Lamp (Red)	1	—	C	PB3/139
5CW/4405757	ROTAX N135531/1	Plate, fixing, lower	2	—	C	PB3/140
	15SS4624	Plate, fixing, upper	1	—		PB3/141
	PLESSEY					
5CW/4400162	7CZ/103739/2	Relay	1	—	A	PB3/142
	ROTAX					
5CW/4405756	N135530	Shroud	1	—	C	PB3/143
5CW/4405758	N136930	Shroud	1	—	C	PB3/144
5CW/1047696	—	Switch, double pole	1	—	C	PB3/145
5CW/1047691	—	Switch, single pole	1	—	B	PB3/146
MOUNTING OF CONTROL UNIT, TYPE 6204, ON PANEL 9P (T8847) (Mod. 2411 S.O.O.)						
Spares for:—						
10L/16429	—	Unit, control, type 6204	1	—	B	PB3/146A

VULCAN ML. 2

RADIO AND RADAR INSTALLATION

Page PB. 18A

CREW'S NACELLE

Ref. No.	Part No.	Description	No. off	Matl. Spec.	Cl. of St.	Plate and Illust'n No.
					M.R.	
		1 2 3 4				
		MOUNTING RELAY MODULE UNDER CREW'S FLOOR (T8156) (Mod. 2304)				
		Spares for:—				
	2T8156	BRACKET, MOUNTING, GROUP	1	—		PB5/190
5K/1037441	AS3360/B6C	Lead, bonding	1	—	C	PB5/191
		Attachments for part No. AS3360/B6C				
	A54/C	Locknut	1	—		
28M/1990760	AGS2002/C4	Nut, stiff	1	—	C	
28S/9992519	A43/C24	Screw	1	—	C	PB5/192
28W/1009752	SP25/C	Washer	4	—	C	
1510662	1T8155	MODULE RELAY, GROUP	1	—	B	PB5/193
		Attachments for Part No. 1T8155				
28S/9419453	A31/B14	Screw	4	—	C	PB5/194
28W/9419454	SP10/C	Washer	4	—	C	
	2T8155	BRACKET, GROUP	1	—		PB5/195
		Spares for:—				
5K/9483758	SP93/B8	Grommet	2	—	C	PB5/196
	BULGIN C125	Board, terminal	1	—		PB5/197
		Attachments for Part No. C125				
28S/1200059	A33/A14	Screw	2	—	C	PB5/198
28M/9418829	AGS2002/A1	Nut, stiff	2	—	C	
28W/9419446	SP10/A	Washer	2	—	C	
	WARD BROOKE LTD.					
5CZ/1035015	WB/1110/S/5/W	Block, terminal, No. T.B.1760	1	—	C	PB5/199
	WARD BROOKE LTD.					
5CZ/1035016	WB/1110/S/10/W	Block, terminal, Nos. T.B.17584, T.B.1759	2	—	C	PB5/200
	HELLERMANN 4223					
	WARD BROOKE LTD.	Base, relay	2	—		PB5/201
	WARD BROOKE LTD.					
5CZ/1035034	WB/1110/24	Cable, spacer	4	—	C	PB5/202
	—	Cable (Minyvin)	20'	—		
	WARD BROOKE LTD.					
	WB/1110/B/4/W	Cover, terminal block	1	—		PB5/203
	WARD BROOKE LTD.					
	WB/1110/B/5/W	Cover, terminal block	1	—		PB5/208
	E.M.L.					
	69F465G7	Capacitor, 160 uf	2	—		PB5/205
	FERRANTI					
10CU/1180725	ZS172	Diode	7	—	C	PB5/206

RADIO AND RADAR INSTALLATION

CREW'S NACELLE

Ref. No.	Part No.	Description	No. off	Matl. Spec.	Cl. of St.	Plate and Illust'n No.
					M.R.	
		1 2 3 4				
		MODULE RELAY, GROUP (1T8155) (Cont'd.)				
5CZ/1037737	WARD BROOKE LTD. WB/1110/41	Link, 3-way	1	—	C	PB5/207
5CZ/6424	WARD BROOKE LTD. WB/1114/28	Pillar, fixing	6	—	C	PB5/208
5905-99- 014-0513	WELWYN —	Resistor, 10 Ω , type W21	1	—	C	
1510663	3T8155	RESISTOR, GROUP (C21—220 Ω ±5%)	1	—	C	
1510664	4T8155	RESISTOR, GROUP (C21—68 Ω ±5%)	1	—	C	
1510665	5T8155	RESISTOR, GROUP (C21—91 Ω ±5%)	1	—	C	
1510666	6T8155 HELLERMANN HDD1—SF2— D06	RESISTOR, GROUP (C21—100 Ω ±5%)	1	—	C	
	—	Relay, No's. RL832 & RL833	2	—		PB5/209
	—	MOUNTING TRAY INSTALLATION, FOIL	Ref.	—		
	—	INDICATOR UNIT, AR15952 (Ref. Drg. T6471 and T6593) (Mod. 2017, Part 'B')				
1433108.	1T6594	Spares for:— TRAY, MOUNTING, GROUP	1	—	C	
17499	3T6594	Spares for:— LOCKING, GROUP	2	—	C	
	2ATEC10	Spares for:— Knob	1	—		
	5T6594	Screw	1	—		
	6T6594	Bush, clamping	1	—		
	2ATEC12	Nut, special	1	—		
	2T6594	TRAY, GROUP	1	—		
	4T6594	Spares for:— Plate	1	—		
	7T6594	Spigot	1	—		
	5841/99/954/ 7737	Unit, indicator azimuth range	1	—		

RADIO AND RADAR
CREW'S NACELLE

Ref. No.	Part No.	Description	No. off	Matl. Spec.	Cl. of St.	Plate and illust'n No.	
					M.R.		
		1	2	3	4		
		MOUNTING OF A.D.A.M DETECTOR UNITS AIR MONITORING SYSTEM (Z12726) (Mod. 2390 S.O.O.) Spares for:—					
10AJ/9556585	B64/CA/10	Barrymount	6	—	C	PB6/1	
10AJ/9556305	B64/CA/20	Barrymount	6	—	C	PB6/2	
28D/9436920	A25/1C	Bolt	16	—	C	PB6/3	
28D/9133011	A25/2C	Bolt	8	—	C	PB6/4	
28D/9133012	A25/3C	Bolt	16	—	C	PB6/5	
28D/9140645	A25/10C	Bolt	6	—	C	PB6/6	
28D/9435710	A25/11C	Bolt	2	—	C	PB6/7	
26FP/13942	1SS3867	Bracket, for cable stowage	2	—			
	S71/3	Chain, retaining	2	—			
5X/6991	—	Crimp end, for cable stowage	2	—	C		
		Attachments for 5X/6991					
		Bolt	1	—	C		
28D/9436920	A25/1C	Nut, stiff	1	—	C		
28M/1012015	AGS2001/C1/66	Washer	1	—	C		
28W/9419402	SP13/C						
		ELECTRIC CABLES (See Section FG)	Ref.	—			
28N/	AS1881	Hinge	2	—		PB6/8	
		Attachment for AS1881					
28D/1013284	AS1248/2C	Bolt	3	—	C	PB6/9	
28M/1012015	AGS2001/C1/66	Nut, stiff	3	—	C		
28W/9419454	SP10/C	Washer	3	—	C		
28M/1012015	AGS2001/C1/66	Nut, stiff, for Barrymount Bolts	16	—	C		
	22Z12726	PLATFORM MOUNTING, GROUP	1	—		PP6/10	
		Spares for:—					
10AJ/9556305	25Z12726	Angle, mounting	1	—			
	B64/CA/20	Barrymount	4	—	C	PB6/11	
		Attachment for B64/CA/20					
28D/1212804	AS1248/12C	Bolt	3	—	C	PB6/12	
28D/1212796	AS1248/13C	Bolt	1	—	C	PB6/13	
28M/1012015	AGS2001/C1/66	Nut, stiff	4	—	C		
28W/9419402	SP13/C	Washer	4	—	C		
		Attachment for 22Z12726					
28D/	A25/13C	Bolt	5	—	C	PB6/14	
28W/9419402	SP13/C	Washer	5	—	C		
		PANEL, 4P FUSE AND RELAY, GROUP	Ref.	—			
		(See Section FG Page 55)					
26FP/9469298	A407	Pin, pip	2	—	C	PB6/15	
		STOWAGE EQUIPMENT PANEL	Ref.	—		PB6/16	
		(See Section FG)					

RESTRICTED

VULCAN No. 2

Page PB. 18D

RADIO AND RADAR

CREW'S NACELLE

Ref. No.	Part No.	Description	No. off	Matl. Spec.	Cl. of St.	Plate and Illust'n No.
					M.R.	
		1 2 3 4				
	211Z12726	STRUT ADJUSTABLE SUPPORT, GROUP ...	1	—		PB6/17
		Consisting of:—				
28M/1007404	213Z12726	End, fork	1	S93		
	A27/JT	Nut, thin	1	—	C	
28W/9419456	212Z12726	Strut	1	L85		
	SP10/J	Washer	1	—	C	
		Attachment for 211Z12726				
28N/1046381	SP121/E	Collar	2	—	C	
28P/2231775	SP113/E7	Pin, shear	2	—	C	PB6/18
28P/9486478	SP90/C5	Pin, split	2	—	C	
	HR/0/572642/1	Unit, Detector, NIS385	1	—		PB6/19
	HR/0/572642/2	Unit, Detector, NIS385	1	—		PB6/20
	HR/0/572642/3	Unit, Detector, NIS385	1	—		PB6/21
	HR/0/572642/4	Unit, Detector, NIS385	1	—		PB6/22
		Attachment for Unit Detectors				
28W/9418920	S12/6E,SS4751	Bolt	4	—	C	PB6/23
	SP10/E	Washer	4	—	C	
	HR/1/598046	Unit, Control, NIS385	1	—		PB6/24
	HR/1/598046	Unit, Control, NIS385	1	—		PB6/25
		Attachments for Unit Control				
28D/	AS1248/47C	Bolt	4	—	C	PB6/26
28W/9419454	SP10/C	Washer	4	—	C	
	HR/1/598047	Unit, Display, NIS385	1	—		PB6/27
		(Service Supply and Fit)				
		Attachment for Unit Display				
28S/9992525	A32/B12	Screw	5	—	C	PB6/28
29C/1206/41	AGS2035/B	Washer, shakeproof	5	—	C	
	S58/B6	Washer, tab	2	—		PB6/29
28W/9419454	SP10/C	Washer for Barrymount Bolts	—	QR	C	
28W/9419402	SP13/C	Washer for Barrymount Bolts	—	QR	C	
		MOUNTING OF MONITOR DETECTOR	Ref.	—		
		UNIT, POD AND PYLONS IN				
		MAINPLANE (See Page PC. 3)				

RESTRICTED

VULCAN MR. 2

RADIO AND RADAR INSTALLATION

CREW'S NACELLE

Ref. No.	Part No.	Description	No. off	Matl. Spec.	Cl. of St.	Plate and Illust'n No.
					M.R.	
		1 2 3 4				
	1T6787	PANEL AIRSPEED ADJUSTMENT AIR5959 INSTALLATION (T6788) (Mod. 2057) Spares for:— PANEL, AIRSPEED ADJUSTMENT GROUP	1	—		PB1/147
5X/6200370	1V5650	Block, terminal	1	—	C	PB1/148
5X/4491486	2T6787	Channel	1	—		
	10V5650	Ferrule	4	—	C	PB1/149
	COLVERN LTD. A100	Lock, spindle	2	—		PB1/150
	COLVERN LTD. CLR1501/ 264/15/S	Potentiometer, 2K \diamond	1	—		PB1/151
5905—99— 011—9859	—	Potentiometer, 1K \diamond	1	—	B	PB1/152
	AW3101	Resistor, 3300 \diamond \pm 5%	1	—		PB1/153
	AW3101	Resistor, 1500 \diamond \pm 5%	1	—		PB1/154
		PANEL, REDUNDANT CIRCUIT FAIL, AIR.5959 INSTALLATION (T6662) (Mod. 2057)	—	—		PB1/154A
	16V5650	Spares for:— Block, connector	1	—		PB1/155
	884T3434	CABLE, GROUP (Mod. 2139)	1	—		
	COLVERN LTD. A100	Lock, spindle	2	—		PB1/156
	2T6662	Panel	1	L72		PB1/157
	COLVERN LTD. CLR4501/ 264/15/S	Potentiometer	2	—		PB1/158
5CW/9255	AS10512C-1	Switch, isolation (Mod. 2188)	1	—	C	PB1/158A
5905—99— 012—1493	N25	Resistor, 1K \diamond	2	—	C	PB1/159
6B/6349756	—	Plate, back (Pre-Mod. 748)	1	—	B	
10AR/6196851	—	Plate, back, for indicator 101	1	—	B	PB3/160
10AR/4702284	—	Plate, back, for transmitter 4188 (Pre-Mod. 2300)	1	—	A	PB3/161
10AR/4427380	—	Plate, back, for control unit 4190 (Pre-Mod. 2300)	1	—	A	PB3/162
10AR/4702285	—	Plate, back, for receiver 4187 (Pre-Mod. 2300)	1	—	A	PB3/163
10AR/4702283	—	Plate, back, for power unit 4192 (Pre-Mod. 2300)	1	—	A	PB3/164
10AR/4702287	—	Plate, back, for selector unit 7003 (Pre-Mod. 2300)	1	—	A	PB3/165
5UC/4379173	—	Plate, back (Pre-Mod. 2300)	1	—	C	PB3/166

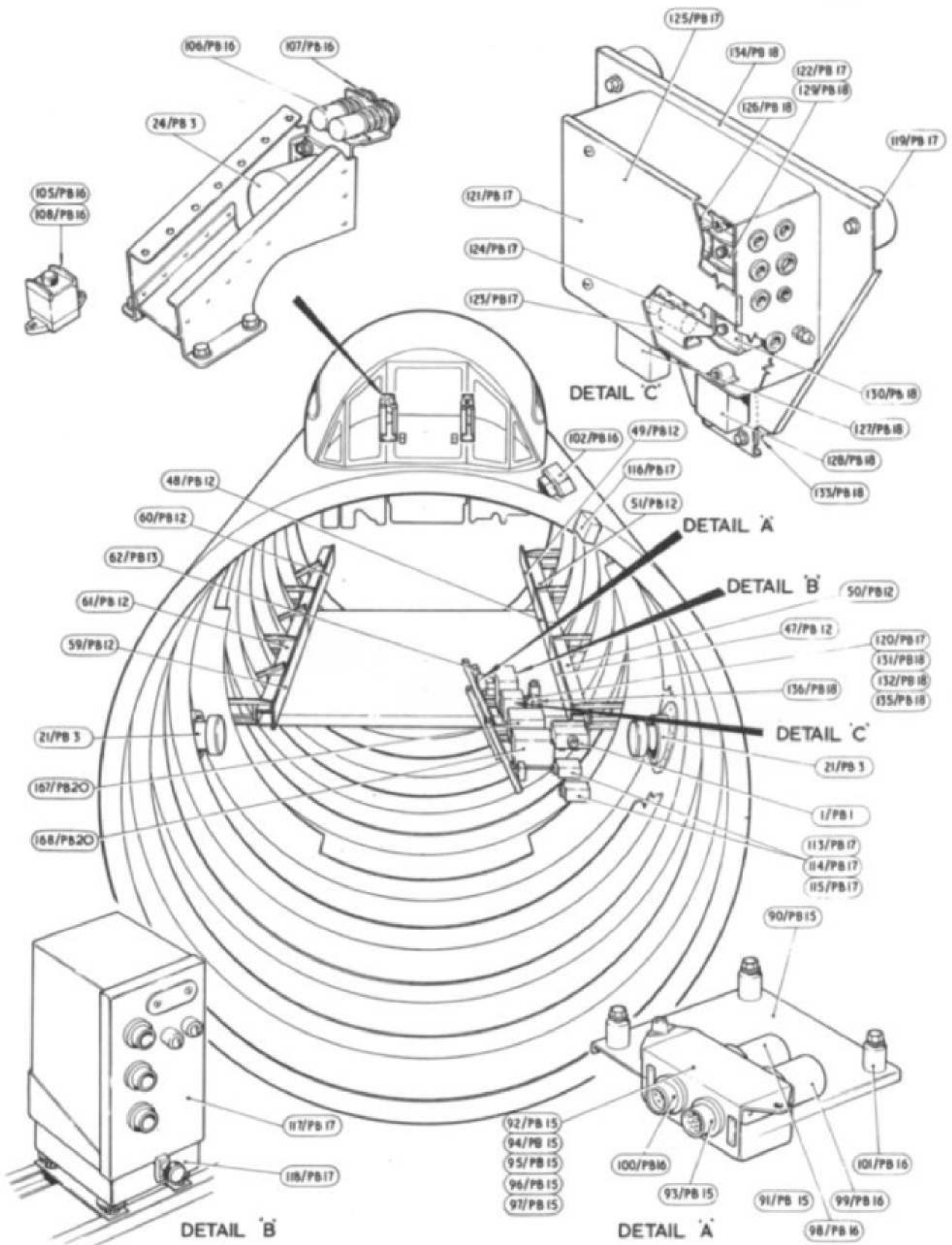
RADIO AND RADAR INSTALLATION

CREW'S NACELLE

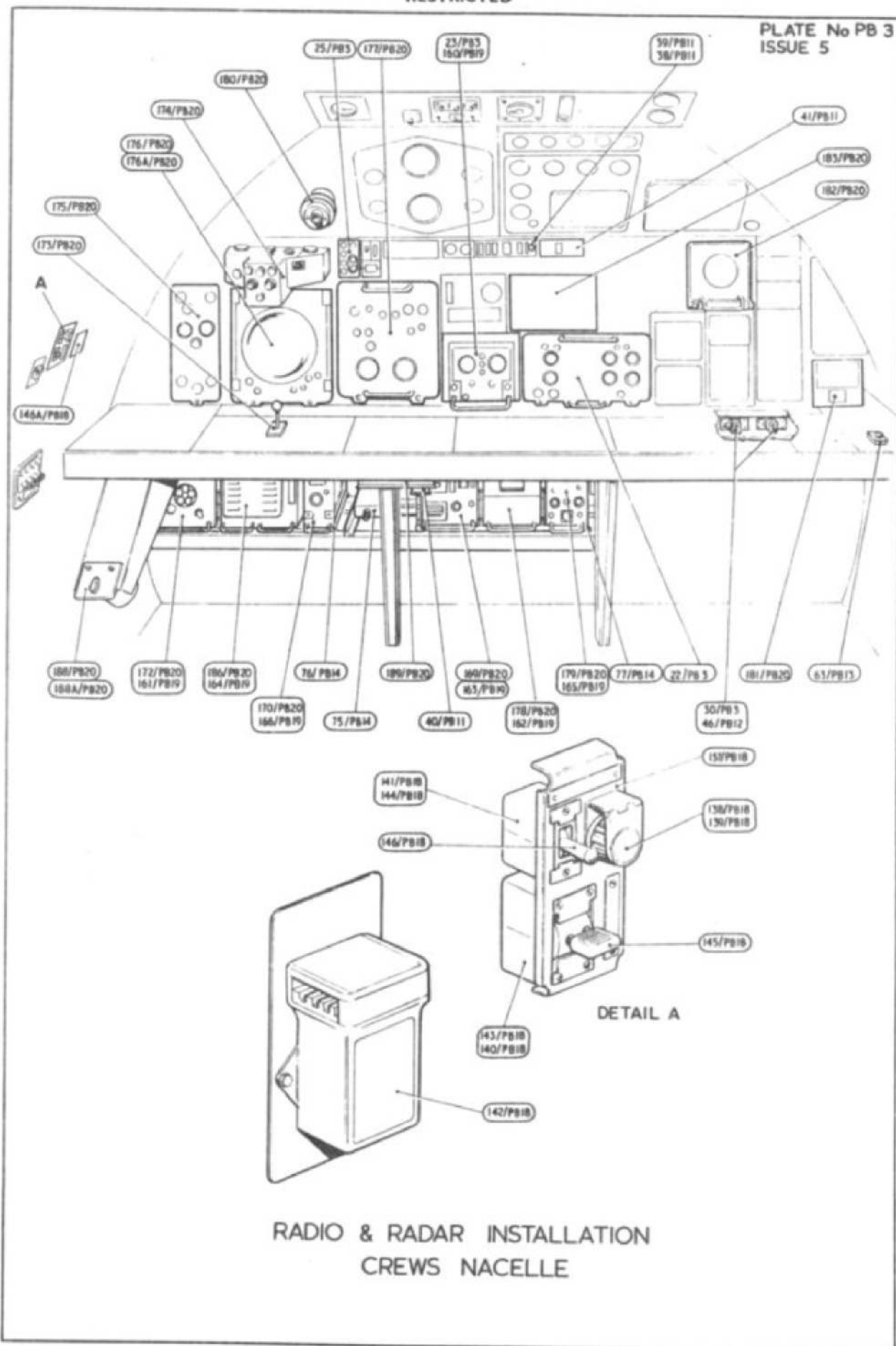
Ref. No.	Part No.	Description				No. off	Matl. Spec.	Cl. of St.	Plate and Illust'n No.
		1	2	3	4			M.R.	
RADIO AND RADAR INSTALLATION IN CREW'S NACELLE (2T4292) (Cont'd)									
10D/6352827	—	Receiver, type R1964 (Mod. 2447)				1	—	A	PB2/167
10D/6352825	—	Receiver, type R1965 (Mod. 2447)				1	—	A	PB2/168
10D/19604	—	Receiver, H.F., type R4187 (Pre-Mod. 2300) ...				1	—	A	PB3/169
5UC/6423525	—	Regulator, voltage, type (Pre-Mod. 2300)				1	—	A	PB3/170
9CA/4491981	3D6136	Resolver, ground speed (Pre-Mod. 2434)				1	—	A	PB1/171
9CA/1497	75D24004	Resolver, ground speed (Mod. 2434)				1	—	A	
10D/4427341	—	Transmitter, H.F., type T4188 (Pre-Mod. 2300)				1	—	A	PB3/172
10L/6192066	—	Unit, control, type 626				1	—	A	PB3/173
10L/6193340	—	Unit, control, type 903				1	—	A	PB3/174
10LB/6197634	—	Unit, control, type 595				1	—	A	PB3/175
10QB/6192099	—	Unit, indicator, type 301				1	—	A	PB3/176
10Q/9537439	12A/D22151	Unit, indicator, type 301D (Mod. 2411 S.O.O.)				1	—	B	PD3/176A
10LB/6197633	—	Unit, control, type 585				1	—	A	PB3/177
10L/4427344	—	Unit, control, type 4190 (Pre-Mod. 2300)				1	—	A	PB3/178
10D/4096712	—	Unit, selector, type 7003 (Pre-Mod. 2300)				1	—	A	PB3/179
10Q/4706366	—	Unit, Pulse altitude indicator, type 7921				1	—	A	PB3/180
10L/16856	—	Unit, control, type 7681 B (Mod. 2304)				1	—	A	PB3/181
10Q/16420	—	Unit, indicator, type 6935				1	—	A	PB3/182
9CA/103	—	Unit, control				1	—	A	PB3/183
9CA/155	—	Unit, recorder timing				1	—	A	PB1/184
9CA/154	—	Unit, recorder, type 173-15-61				1	—	A	PB1/185
10D/19067	—	Unit, power and radio, type 4192				1	—	A	PB3/186
		(Pre-Mod. 2300)							
9D/756	—	Unit, wind				1	—	A	PB4/187
10L/16485	—	Unit, control, type 12580				1	—	A	PB3/188
10L/6215709	RRC813225	Unit, control, type 12580A				1	—	B	PB3/188A
		(Mod. 2411 S.O.O.)							
10L/16493	—	Unit, control, type 12558				1	—	A	PB3/189
10L/946— 5125	—	Unit, control, type 13044 (Mod. 2024)				1	—	A	
10V/6197654	11A/D4200	Unit, generator, waveform, type 68B				1	—	B	PB4/189A
		(Mod. 2411 S.O.O.)							
9CD/1117244	SPERRY 249901-0100	Unit, heading, navigator (Mod. 2257)				1	—	A	
110D/6043307	—	Unit, Transmitter/Receiver, type M15				1	—	A	
		(Mod. 2300)							
5821—99— 914—8966	—	Unit, Pre-Amplifier, type VA6002				1	—	A	
		(Mod. 2300)							

RADIO AND RADAR INSTALLATION
SUMMARY OF STANDARD PARTS

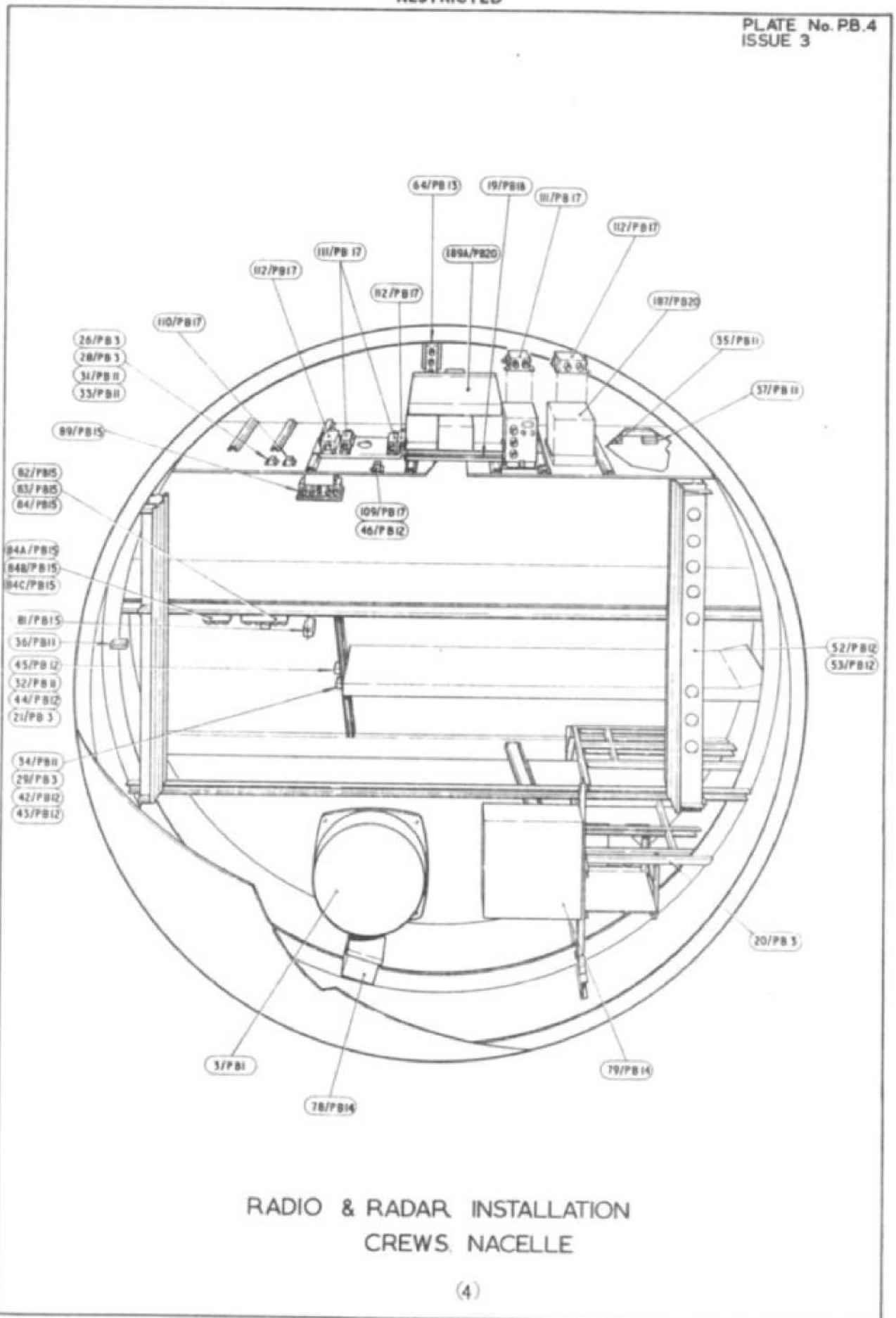
Stores Ref.		No. off	Stores Ref.		No. off	Stores Ref.		No. off
Section	Ref. No.		Section	Ref. No.		Section	Ref. No.	
28D	1008147	2	28M	1010014	2	28S	9992533	5
28D	9706373	1	28M	9129528	24	28S	1011491	7
28D	1010658	29	28M	9706320	8	28S	9512511	2
28D	1008149	26	28M	9480973	4	28S	1200061	6
28D	9419452	3	28M	10286	28	28S	1200062	8
28D	1011006	8	28M	10273	2	28S	9130764	16
28D	1010142	2	28M	1278189	145	28S	9446553	2
28D	9435711	2	28M	1278190	280	28S	9992520	1
28D	9436920	116	28M	10275	24	28S	9992519	23
28D	9133011	84	28M	10292	4	28S	1012361	1
28D	9133012	23	28M	10326	2			
28D	1200119	8	28M	1086618	26			
28D	9133013	6	28M	9433473	30			
28D	9140644	3	28M	9434253	2			
28D	9140649	12	28M	11957	20			
28D	9435710	8	28M	9434251	9	28W	9419446	19
28D	9133014	3	28M	9435067	2	28W	9419401	133
28D	1011021	18	28M	12421	1	28W	9419454	134
28D	1214311	2	28M	13774	1	28W	9419464	8
28D	1011025	1				28W	9419465	112
28D	1011242	2				28W	9419402	291
28D	1011244	4				28W	9418921	5
28D	1011246	4				28W	9419466	8
28D	1007285	8				28W	9419473	2
28D	1013172	4	28S	1200049	7	28W	9419474	18
28D	9137408	8	28S	1200044	12	28W	9419475	60
28D	1007979	8	28S	9419437	6	28W	9419405	2
28D	1214865	5	28S	9435712	2	28W	9419486	16
28D	1214867	8	28S	1201448	2	28W	9419404	28
28D	1214868	3	28S	9419435	10	28W	9419487	4
28D	9140202	4	28S	9419453	14	28W	1200073	4
28D	9137409	6	28S	1200034	16	28W	1200071	11
28D	9710453	2	28S	1200036	6	28W	9995407	6
28D	13223	4	28S	1200040	4	28W	9437455	2
28D	9128739	10	28S	1005622	4	28W	1009752	72
28D	8337	9	28S	1011479	2	28W	9128182	10
28D	1218386	4	28S	9997545	11			
28D	1213722	5	28S	9992997	3			
28D	1007981	65	28S	9435713	9			
28D	1007982	31	28S	1200047	2			
28D	1013284	1	28S	9419411	1			
28D	1013301	3	28S	1007753	2			
28D	1212800	5	28S	1017747	20			
			28S	1011486	4			
			28S	9992525	88			
			28S	1008327	11			
			28S	9992522	8			
			28S	1007817	3			
			28S	1008085	4			
28DU	9480269	4	28S	1011490	12			



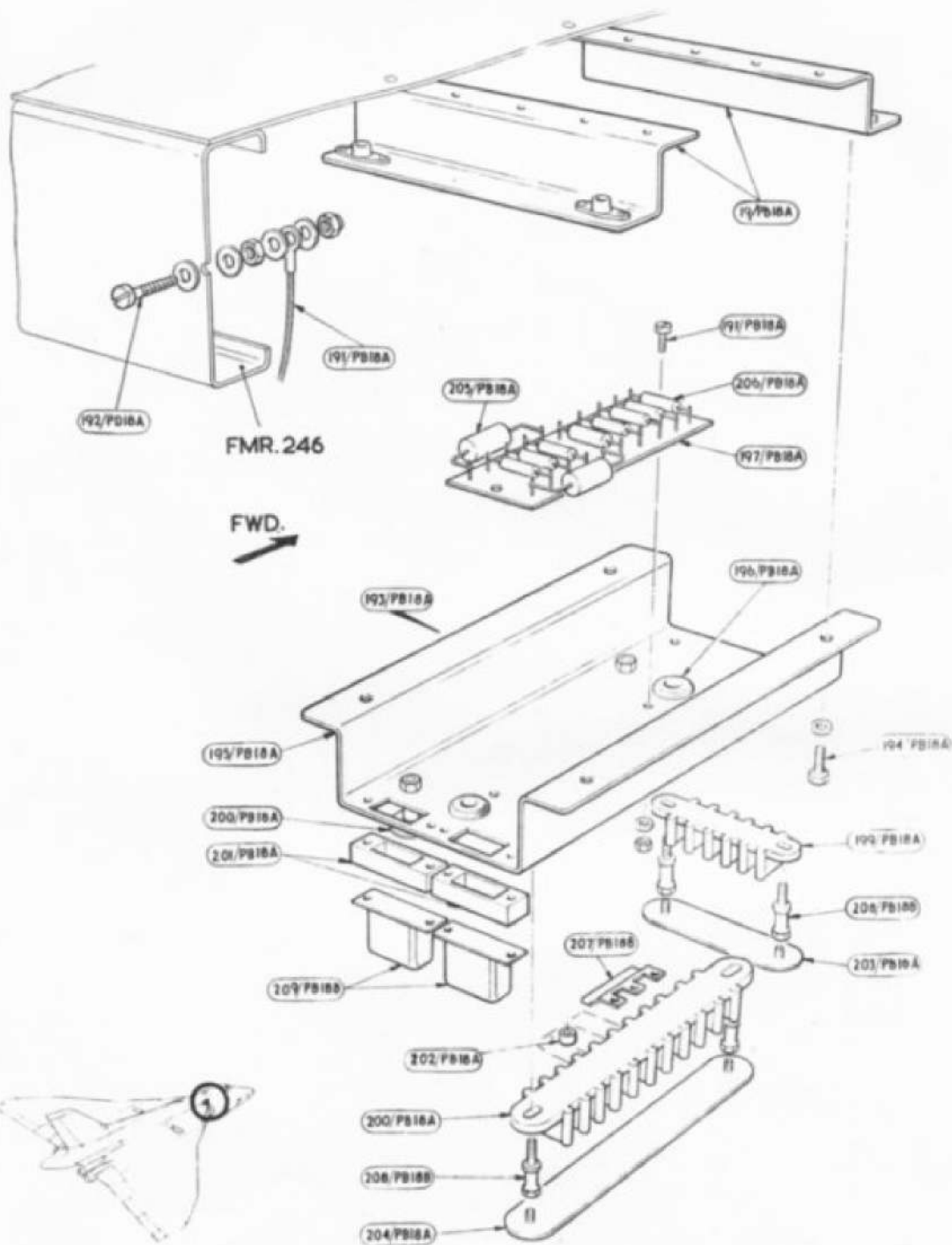
RADIO & RADAR INSTALLATION
CREW'S NACELLE



RADIO & RADAR INSTALLATION
CREWS NACELLE

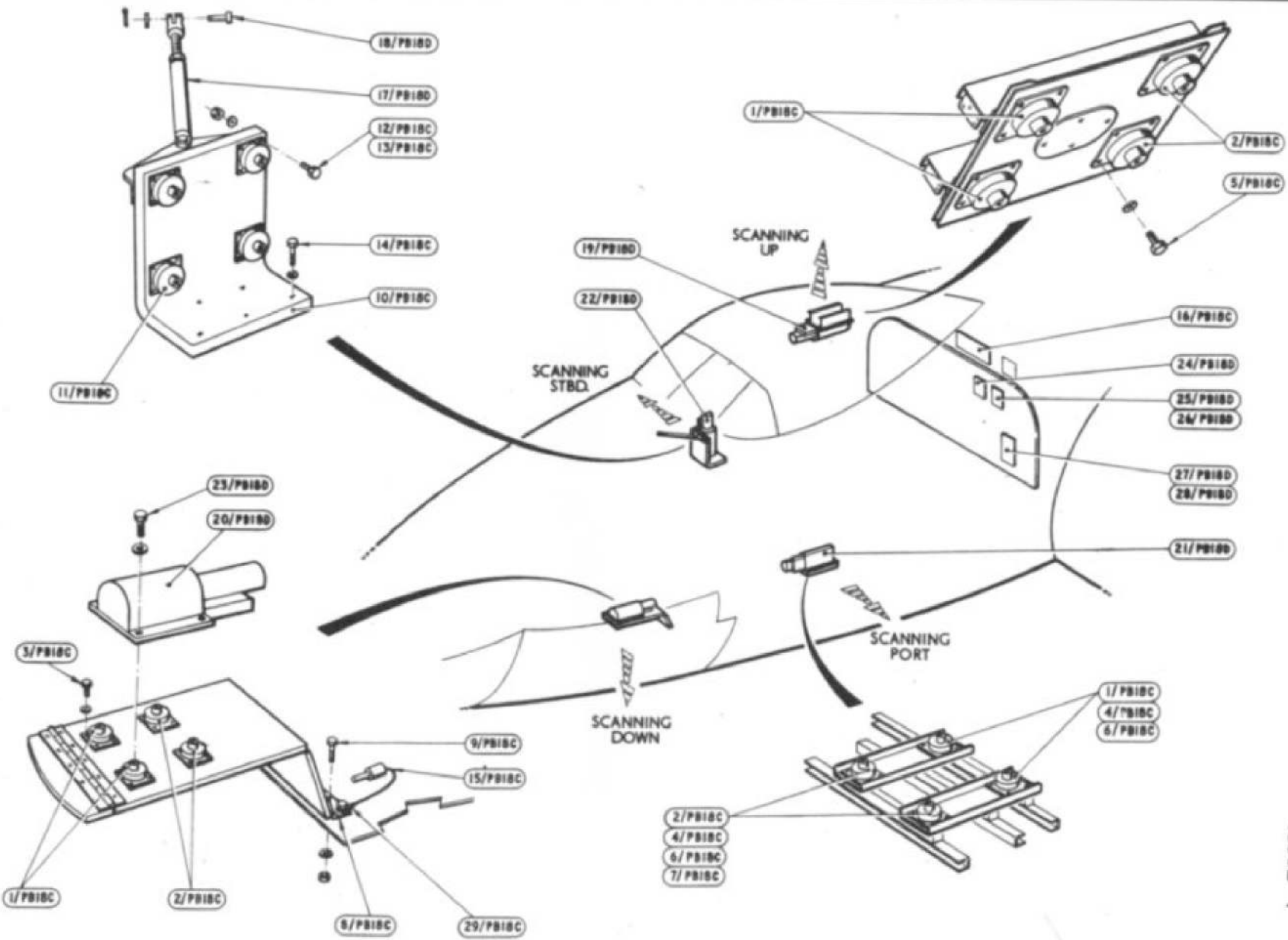


RADIO & RADAR INSTALLATION
CREWS. NACELLE



RADIO AND RADAR INSTALLATION
CREW'S NACELLE

MOUNTING OF ADAM DETECTOR UNITS
AIR MONITORING SYSTEM



This file was downloaded
from the RTFM Library.

Link: www.scottbouch.com/rtfm

Please see site for usage terms,
and more aircraft documents.

