

RADIO AND RADAR INSTALLATION

MAINPLANE

Ref. No.	Part No.	Description	No. off	Matl. Spec.	Cl. of St.	Plate and Illust'n No.
					M.R.	
		1 2 3 4				
		RADIO AND RADAR INSTALLATION IN WING (5T4292) PORT AND (6T4292), STARBOARD Spares for:—				
	9307RA17	Aerial, Doppler, type 72 (Mod. 2256) .....	1	—		PC1/1
10D/9713321	S.T.C. LTD. 140/LRU/31C	AERIAL, PORT SIDE ONLY, GROUP .....	1	—	A	PC1/2
		(Mod. 1586) Consisting of:—				
	S.T.C. LTD. 33L/RA/322D 140/LRE31 Item 29	Connector, cord .....	1	—		
	L148496/D21	Plate, shorting .....	1	—		
	L148496/D22	Plate, side .....	1	—		
	216/LRU27A	Plate, side .....	1	—		
		Unit, coupling, aerial .....	1	—		
10D/9713318	S.T.C. LTD. 140/LRU/31D	AERIAL, STARBOARD SIDE ONLY, GROUP .....	1	—	A	PC1/3
		(Mod. 1586) Consisting of:—				
	S.T.C. LTD. 33L/RA322D 140/LRE31 Item 29	Connector, cord .....	1	—		
	L148496/D23	Plate, shorting .....	1	—		
	L148496/D24	Plate, side .....	1	—		
	216/LRU27B	Plate, side .....	1	—		
		Unit, coupling aerial .....	1	—		
10B/4697309	—	Aerial, Localiser, type 239, Port .....	1	—		PC1/4
10B/4707699	—	Aerial, Glide Path, type 238, Starboard .....	1	—		PC1/5
26FP/13797	5SS3160	Bolt .....	2	—	C	PC1/6
26FP/13610	6SS3160	Bolt .....	8	—	C	PC1/7
	18SS3160	Bolt .....	2	—		PC1/8
	21T4292	Fairlead, half .....	2	BS2572		PC1/9
		INSTALLATION OF CABLES, CONNECTORS FAIRLEADS (1T4290, 1T5497) Spares for:—				
	—	Adaptor, Type ABR40 (Mod. 2178) .....	1	—		
10HZ560042	6V10150	Bracket (Mod. 2256) .....	1	—	C	
26TA/14778	7V5497	Bracket (Mod. 2256) .....	1	—		
	380T3434	CABLE, PLUG BREAK 561 U/C BAY TO PLUG BREAK 775 PORT WING, GROUP .....	1	—		
12675	381T3434	CABLE, PLUG BREAK 775 PORT WING TO LOCALISER AERIAL, GROUP .....	1	—	C	
	382T3434	CABLE, PLUG BREAK 563 U/C BAY TO PLUG BREAK 776 STB'D WING, GROUP .....	1	—		

RADIO AND RADAR INSTALLATION  
MAINPLANE

Ref. No.	Part No.	Description	No. off	Matl. Spec.	Cl. of St.	Plate and Illust'n No.
					M.R.	
		1 2 3 4				
		INSTALLATION OF CABLES CONNECTORS, FAIRLEADS (1T4290) (Cont'd.)				
1433735	383T3434	CABLE PLUG BREAK STARBOARD WING TO GLIDE PATH AERIAL, GROUP	1	—	A	
10HB/7836	6T4275	Connector (Pre-Mod. 748)	1	—		
10HB/7837	7T4275	Connector (Pre-Mod. 748)	1	—		
10HB/1957447	5T4508	Connector, Plug break 889 Transport Rib Filter, rear fuselage	1	—	A	
10HB/1957446	6T4508	Connector, Plug break 890 Wing Tip Starboard to Plug break 889 Transport Rib	1	—	A	
10HB/1957448	9T4508	Connector, Plug break 887 Transport Rib to Filter Unit, Rear fuselage	1	—	A	
10HB/1957436	10T4508	Connector, Plug break 888 Wing Tip, Port to Plug break 887 Transport Rib	1	—	A	
10HB/1957484	40T4510	Connector, Plug break 930 U/C Bay, Port to Plug break 913 at frame 442.5 (Pre-Mod. 2304)	1	—	A	
10HB/6700	16T3412	Connector (Pre-Mod. 748)	1	—	B	
	20T3412	Connector (Pre-Mod. 748)	1	—		
10HB/	40T5510	Connector (Mod. 2178)	1	—		
	13T4290	Fairlead, Half	2	—		PC1/10
	20T4290	Fairlead, Half	2	—		PC1/11
10H/19610	—	Plug	1	—	C	
	McMICHAEL EDB14342	Socket, adaptor type 11242	2	—		PC1/12
	1Z12495	Plate, blanking (used when Aerial Part No. 9307RA17, is not available) (Mod. 2256)	1	—		PC1/13

RADIO AND RADAR INSTALLATION

MAINPLANE

Ref. No.	Part No.	Description	No. off	Matl. Spec.	Cl. of St.	Plate and Illust'n No.
					M.R.	
		1 2 3 4				
INSTALLATION OF AIR MONITOR UNIT, POD AND PYLON TO WING (PORT & STBD.) (Z12726) (Mod. 2390 S.O.O.)						
	221Z12726	COVER, EXTERNAL, GROUP ..... (For Pylon pickup Link)	2	—		PC2/1
	224Z12726	Pin, steel .....	1	—		PC2/2
	225Z12726	Screw, bar .....	1	—		PC2/3
28M/1011475	A27/EP	Nut .....	1	—	C	
28M/7002430	AGS2002/E1	Nut, stiff .....	1	—	C	
28W/9419402	SP13/C	Washer .....	1	—	C	
	HR/1/598048	Detector, Monitor (Port only) ..... (Service Supply and Fit)	1	—		PC2/4
		Attachments for HR/1/598048				
28D/1011257	A25/7G	Bolt, 5/16" .....	4	—	C	PC2/5
28W/9419455	SP10/G	Washer, 5/16" .....	4	—	C	
	16SS5333	Inserts .....	4	—		
	121Z12726	LINK, PICK-UP, GROUP .....	2	—		PC2/6
	56Z12726	PLATE, BLANKING, GROUP (Port only) .....	1	—		PC2/7
	1Z12740	POD, GROUP .....	1	—		PC2/8
		Spares for:—				
28D/1007982	AS.1248/1C	Bolt .....	40	—	C	PC2/9
	WB/1114/S/5	Block, terminal .....	1	—		PC2/10
		Attachments for WB/1114/S/5				
28D/9130082	AS1246/B	Bolt .....	2	—	C	
28M/1278189	AGS2001/B1	Nut, stiff .....	2	—	C	
28W/9419465	SP13/B	Washer .....	2	—	C	
	1V17784	Cable, complete .....	1	—		
28E/9712163	SP91/C	Clip, jubilee .....	10	—	C	
5K/4329348	AS1661/A	Clip .....	7	—	C	
	6Z12741	Conduit .....	1	—		
	7Z12741	Conduit .....	1	—		
	11Z12735	Conduit .....	1	—		
	BRISTOL COMP. LTD. 75-06-3014-2 BAS6529	Hose, rubber, braided 1/2" i/d .....	5	L.M.		
		Lead, bonding .....	5	—		
	2Z12740	LUG, ATTACHMENT, GROUP .....	1	—		PC2/11
	5Z12741	Plate, plug .....	1	—		
	806243H8	Panel, access .....	1	—		PC2/12
		Attachment for 806243H8				
	EFR43A	Fastener (Dzus) .....	4	—		

RESTRICTED

VULCAN Mk 2

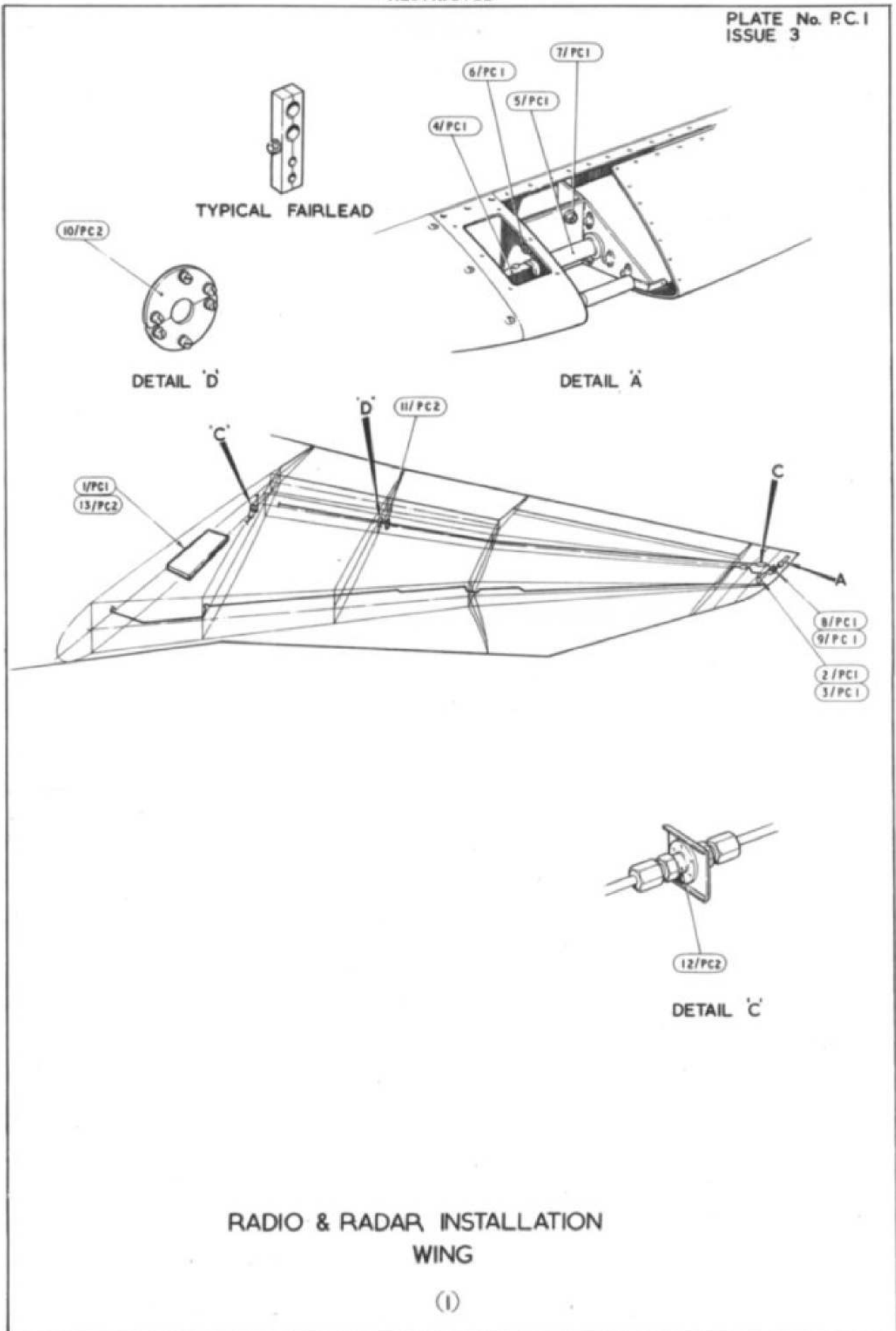
Page PC 4

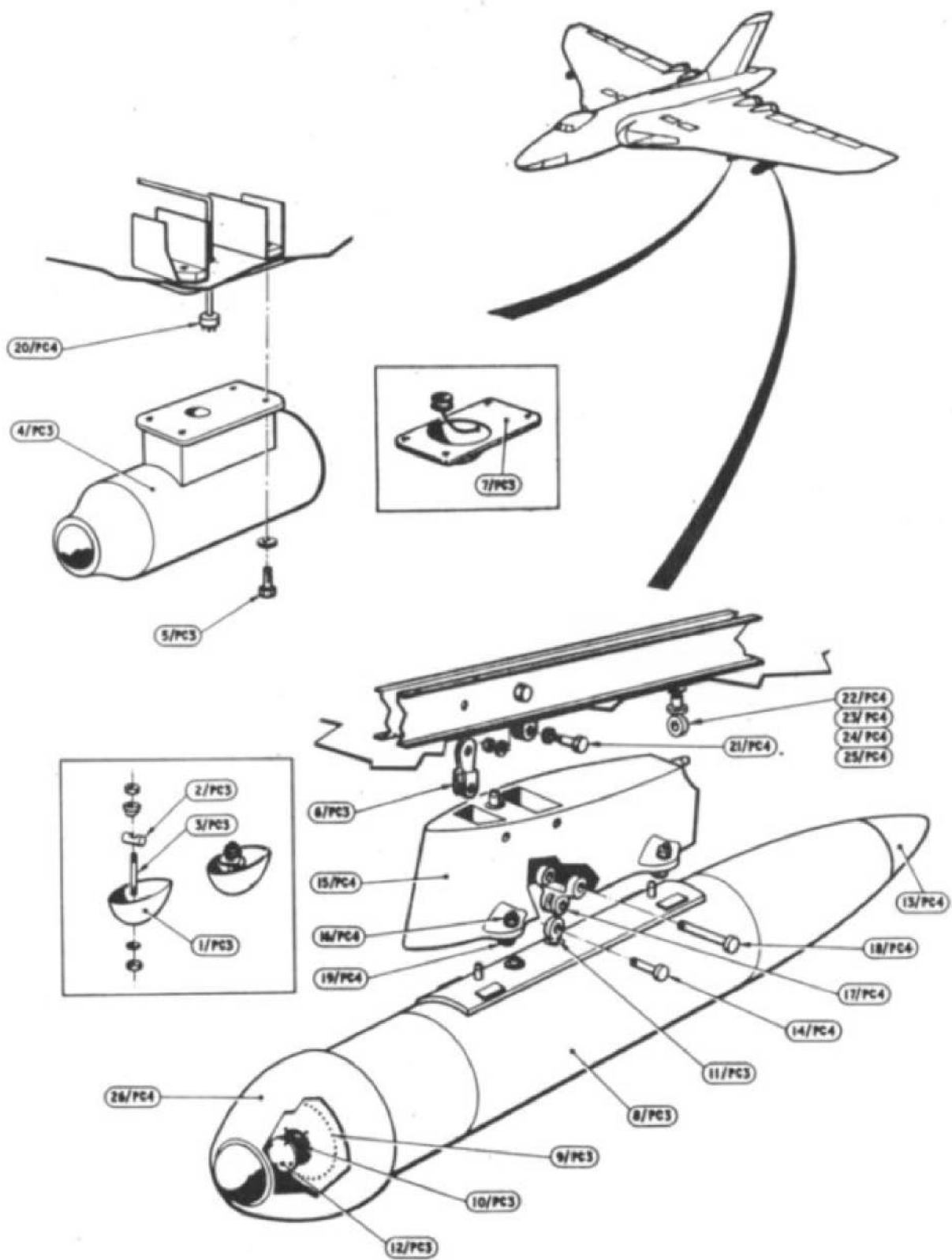
## RADIO AND RADAR INSTALLATION

## MAINPLANE

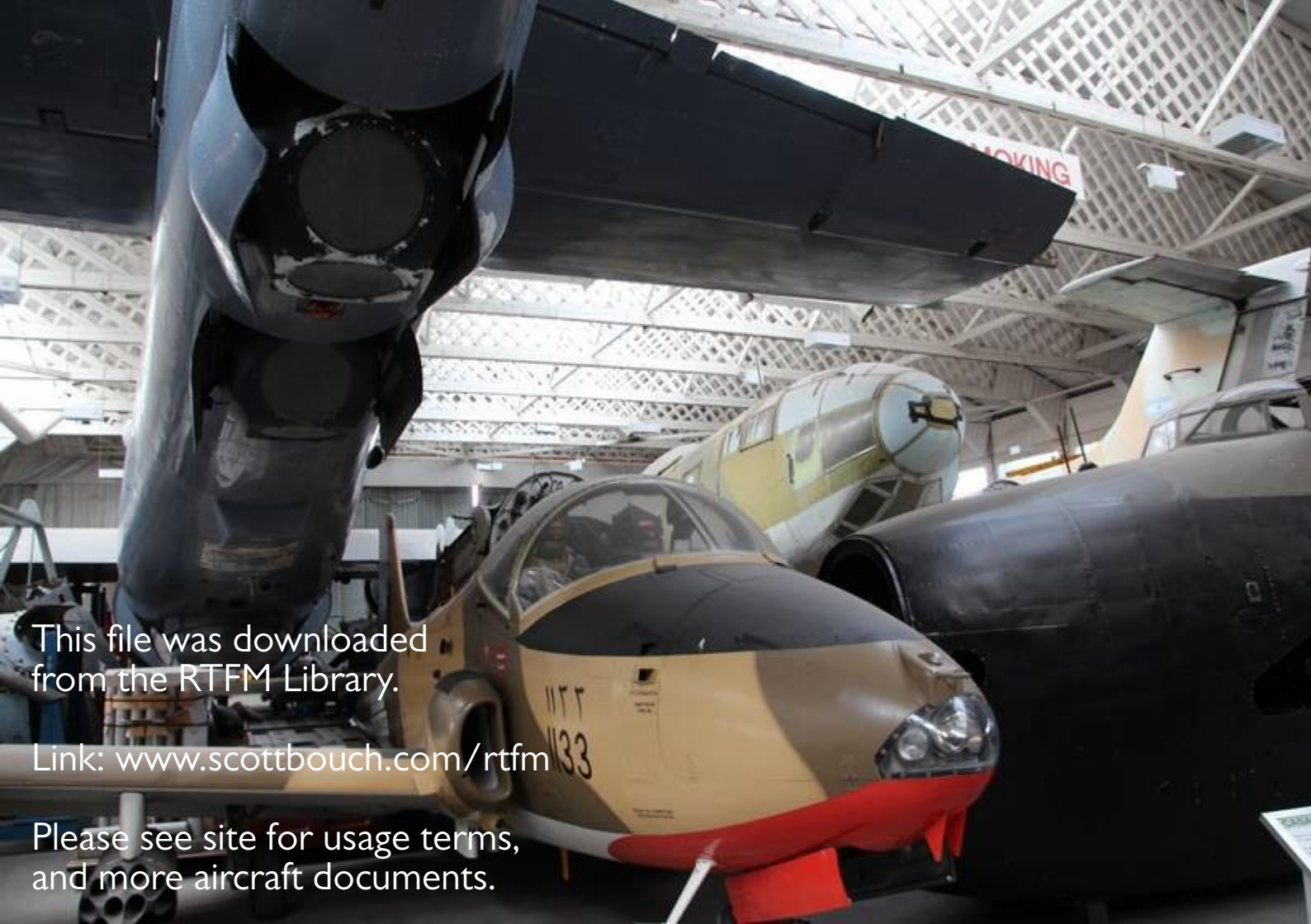
Ref. No.	Part No.	Description				No. off	Matl. Spec.	Cl. of St.	Plate and Illust'n No.
		1	2	3	4			M.R.	
28FP/4062482	BRISTOL COMP. LTD. 75-08-0335 75-08-0301 S5-300 5Z12740	Ring, sealing .....				1	—	C	PC2/13
		Ring, sealing .....				1	—	C	
		Spring (Dzus) .....				4	—	C	
		Tailcone .....				1	—		
28P/	SP4Y/P18 or	Attachments for Pod 1Z12740				1	—	C	PC2/14
		Pin, solid .....							
28P/	SP4Y/P19	Pin, solid .....				1	—	C	
28N/	AGS899/14	Collar .....				1	—	C	
28P/1279969	SP90/H11	Pin, split .....				1	—	C	
	1Z12743	PYLON, GROUP .....				1	—		PC2/15
	1V17812	Spares for:— CABLE, GROUP .....				1	—		
26TA/4721	5SS4935	Clip .....				3	—	C	
26TA/4718	1SS4935	Cradle .....				3	—	C	
28N/4186917	AS8455/9 85Z12726	Inserts, helicoil wire thread .....				4	—	C	PC2/16
		Link, suspension .....				1	—		PC2/17
		Attachments for 85Z12726							
	26Z12726	Pin, special .....				1	—		PC2/18
28N/4043777	AGS899/18	Collar .....				1	—	C	
28P/1279968	SP90/H13	Pin, split .....				1	—	C	
11A/1993642	AMD7370-90A	PAD, GRUTCHING, GROUP .....				4	—	C	PC2/19
		Attachments for AMD7370-90A							
28M/9416053	A103/ST	Nut, 3/4" UNF .....				1	—	C	
28W/1220799	SP125/S	Washer, 3/4" UNF .....				1	—	C	
10H/5801774	11BCN-75-4-3C	Plug (SUHNER) .....				1	—	C	PC2/20
		Attachments for Pylon 1Z12743							
	203Z12726	Bolt, special .....				2	—		PC2/21
	202Z12726	Eyebolt, Group .....				1	—		PC2/22
28M/1011476	A27/JS	Nut, 3/8" .....				2	—	C	
28W/9156622	SP18/J	Washer, 3/8" .....				2	—	C	
1433433	7SS4667	Washer .....				2	—	C	
	196Z12726	Washer, special .....				1	—		PC2/23
	197Z12726	Washer, special .....				1	—		PC2/24
	200Z12726	Washer, special .....				1	—		PC2/25
28P/9527619	SP90/C7	Pin, split .....				2	—	C	
		Installation of Air Sampler .....				1	—		PC2/26
		Handley Page 806234H or H.S.A. Ltd. 1Z12762 (Service supply and fit)							

RESTRICTED





INSTALLATION OF AIR MONITOR UNIT, POD &  
PYLON TO WING. (MOD 2390. S.O.Q.)



This file was downloaded  
from the RTFM Library.

Link: [www.scottbouch.com/rtfm](http://www.scottbouch.com/rtfm)

Please see site for usage terms,  
and more aircraft documents.