

VULCAN Mk. 2

RADIO AND RADAR INSTALLATION

Page PE. 1

REAR FUSELAGE AND FIN

Ref. No.	Part No.	Description	No. off	Matl. Spec.	Cl. of	Plate and Illust'n No.
					St. M.R.	
		1 2 3 4				
		INSTALLATION OF RADIO AND RADAR IN REAR FUSELAGE AND FIN (15 & 16T4292)				
		Spares for:—				
10B/4443927	—	Aerial, type 11319 (Pre-Mod. 2304)	2	—	A	PE1/1
10B/4443928	—	Aerial, type 11320 (Pre-Mod. 2304)	2	—	A	PE1/2
10D/4419527	—	Box, junction, type 9772 ST1/Radio (Pre-Mod. 2304) (Airborne 383B (Rear))	1	—	A	PE1/3
10500	107T4292	Bolt, special (Pre-Mod. 2304)	4	—	MR	
	108T4292	Bolt, special (Pre-Mod. 2304)	8	—	C	
	1T6158	Box, junction, for AIR18146 (Mod. 2024) (Mod. 2369 S.O.O.)	1	—		
		INSTALLATION OF GROUND INTERCOMM. (T4373)				
		Spares for:—				
5X/6200370	1V5650	Block, terminal, 5-way No. 1055	1	—	C	PE1/4
11059	200T3434	CABLE (FR200), EARTH, GROUP	1	—		
	677T3434	CABLE (FT677), TB.1055 to TB's 329 AND 405, GROUP	1	—		
26FP/13135	5SS3264	Clip, cable	1	—	C	
26FP/13093	8SS3264	Clip, cable	2	—	C	
8E/9995928	AS4580/2	Clip, cable	25	—	C	
	8T4373	DOOR, ACCESS, GROUP	1	—	MR	RE1/5
		Spares for:—				
28FP/4062385	FJ4/35	Fastener, dzus	2	—	C	
28FP/9483371	GF4/150	Grommet, dzus	2	—	C	
	8CT4373	Hinge (Made from AS1878/50)	1	—		
5K/1955957	SP93/A10	Grommet	6	—	C	
5K/9518404	SP93/B10	Grommet	2	—	C	
	22V5650	Link, cable	1	—	MR	
	1T4388	PANEL, GROUND INTER-COMM, GROUP	1	—		PE1/6
		Spares for:—				
5CZ/1053794	—	Block, terminal Nos. 239, 330	2	—	C	PE1/7
5CZ/1053795	—	Block, terminal No. 405	1	—	C	PE1/8
5CZ/4340381	—	Indicator, magnetic	1	—	C	PE1/9
	16T3113	Lead, bonding	1	—		
	10T3874	LEAD, EXTENSION, GROUP	1	—		PE1/10
		Consisting of:—				
5E/1116723	—	Cable, trimetvinsmall 2.5" x 4"	1	—		
5K/9520210	—	Cable, end, eye	6	—	C	
10H/10991	—	Plug, type 119	1	—	B	
	HELLERMANN P3	Sleeve, cable	1	—		
	10bT3874	Socket, mic-tel	1	—		
	10cT3874	Wire, copper	Q/R	—		

RADIO AND RADAR INSTALLATION

REAR FUSELAGE AND FIN

Ref. No.	Part No.	Description	No. off	Matl. Spec.	Cl. of St.	Plate and Illust'n No.
					M.R.	
		1 2 3 4				
		PANEL, GROUND INTER-COMM, GROUP (Cont'd)				
	2T4388	PANEL, MOUNTING, GROUP	1	—		PE1/11
	2V1575	SATCHEL, EXTENSION LEAD, GROUP	1	—		PE1/12
10H/2206	—	Socket, mic-tel	1	—	B	PE1/13
10HA/9326	—	Socket, connector	1	—	C	PE1/14
		INSTALLATION OF CABLES, CONNECTORS FAIRLEAD, AND TROUGHS (T4654)				
		Spares for:—				
10H/540015	—	Adaptor, plug to plug	2	—	C	PE1/15
5X/6200370	1V5650	Block, terminal	3	—	C	
	41T4654	Block, spacing	1	—		
	12V6356	Bracket, clip mounting, unit panel	3	—		
		(Mod. 2017)				
1432755	499T3434	CABLE, (F499), P14 TO No. 1 POWER UNIT TYPE 9421, GROUP	1	—		
	500T3434	CABLE, (FR500), P14 TO No. 2 POWER UNIT TYPE 9421, GROUP	1	—		
	501T3434	CABLE, (FR501), P14 TO No. 3 POWER UNIT TYPE 9421, GROUP	1	—		
	502T3434	CABLE, (FR502), P14 TO No. 2 TRANSMITTER TYPE 9420, GROUP	1	—		
	503T3434	CABLE, (FR503), P14 TO No. 3 TRANSMITTER TYPE 9430, GROUP	1	—		
1505051	504T3434	CABLE (FR504), P14 TO No. 1 TRANSMITTER TYPE 9420, GROUP	1	—		
	505T3434	CABLE (FR505), POWER FILTER TO P14, GROUP	1	—		
13144	506T3434	CABLE, (FR506), POWER FILTER TO P14, GROUP	1	—	B	
	507T3434	CABLE, (FR507), TRANSMITTER TYPE 7810 TO P14, GROUP	1	—		
	510T3434	CABLE, (FR510), TB. 1041 TO EARTH, GROUP	1	—		
11513	530T3434	CABLE, (FR530), TB. 1039, 1040 AND 1041, TO RADAR UNIT (Pre-Mod. 2017)	1	—	B	
	531T3434	CABLE, (F531), TB's 1039, 1040 and 1041 TO P44, GROUP	1	—		
10HB/6208582	854T3434	CABLE, (FR853), TB1039 TO EARTH TERMINAL (Mod. 2071)	1	—	B	
10HB/6208583	853T3434	CABLE (FR854), TB. 1039, 1040 AND 1041 TO RADAR UNIT (Mod. 2017)	1	—	B	

RADIO AND RADAR INSTALLATION
REAR FUSELAGE AND FIN

Ref. No.	Part No.	Description				No. off	Matl. Spec.	Cl. of St.	Plate and Illust'n No.
		1	2	3	4			M.R.	
		INSTALLATION OF CABLES, CONNECTORS FAIRLEADS AND TROUGHS (T4654) (Cont'd)							
	545T3434	CABLE, (FR545), TB.1041 TO P44, GROUP				1	—		
	859T3434	CABLE, (FR859), RELAY 324 TO TB.1752, GROUP (Mod. 2024)				1	—		
	AS4808/12	Capping				2	—		PE1/16
10HB/1957455	8T4507	Connector, No. 1 transmitter type 9420 to Plug break 898 at former 487.5				1	—	A	
10HB/1957712	14T4507	Connector, No. 1 power unit type 9421 to No. 1 transmitter type 9420				1	—	A	
10HB/1957458	15T4507	Connector, No. 1 power unit type 9421 to No. 1 transmitter type 9420				1	—	A	
10HB/1957713	16T4507	Connector, No. 2 power unit type 9421 to No. 2 transmitter type 9420				1	—	A	
10HB/1957459	17T4507	Connector, No. 2 power unit type 9421 to No. 2 power unit type 9420				1	—	A	
10HB/1957714	18T4507	Connector, No. 3 power unit type 9421 to No. 3 transmitter type 9420				1	—	A	
10HB/1957457	19T4507	Connector, No. 3 power unit type 9421 to No. 3 transmitter type 9420				1	—	A	
10HB/1957451	23T4507	Connector, Plug break 898 at frame 487.5 to Plug break 909 at FMR428A				1	—	A	
10HB/1957450	24T4507	Connector, Plug break 898 at FMR487.5 to Plug break 908 at FMR428A				1	—	A	
10HB/1957449	25T4507	Connector, Plug break 900 at FMR22.25 to Plug break 907 at FMR42A				1	—	A	
10HB/1957715	29T4507	Connector, Plug break 895 at FMR442.5 to No. 1 transmitter type 9420				1	—	A	
10HB/1957716	30T4507	Connector, Plug break 896 at FMR442.5 to No. 2 transmitter type 9420				1	—	A	
10HB/1957717	31T4507	Connector, Plug break 896 at FMR442.5 to No. 3 transmitter type 9420				1	—	A	
10HB/1957453	33T4507	Connector, Plug break 899 at FMR487.5 to No. 3 transmitter type 9420				1	—	A	
10HB/1957454	34T4507	Connector, Plug break 900 at FMR22.25 to No. 2 transmitter type 9420				1	—	A	
10HB/1957704	4T4508	Connector, Plug break 914 at FMR442.5 to transmitter type 9454				1	—	A	
10HB/1957705	8T4508	Connector, No. 1 transmitter type 9454 to No. 2 transmitter type 9454				1	—	A	
10HB/1957445	11T4508	Connector, Aerial filters to transmitters Nos. 1 and 2 type 9454				2	—	A	
10HB/1957444	12T4508	Connector, Aerial filter to No. 1 transmitter type 9454				1	—	A	
10HB/1957697	6T4509	Connector, Plug break 894 at FMR442.5 to transmitter type 7810				1	—	A	
10HB/1957464	12T4510	Connector, Receiver type 9561 to junction box type 9775 (Pre-Mod. 2304)				1	—	A	
	5T8143	Connector, Radio Type 1770 P1 to fwd. RF head S1 (Mod. 2304)				1	—		
	6T8143	Connector, Radio P2 to ASC—RF head S1 (Mod. 2304)				1	—		
	7T8143	Connector, Power unit type 17203 to TB's 1747 and 1748 in fin (Mod. 2304)				—	—		

RADIO AND RADAR INSTALLATION

REAR FUSELAGE AND FIN

Ref. No.	Part No.	Description	No. off	Matl. Spec.	Cl. of St.	Plate and Illust'n No.
					M.R.	
		1 2 3 4				
INSTALLATION OF CABLES, CONNECTORS FAIRLEADS AND TROUGHS (T4654) (Cont'd)						
10HB/1957600	14T4510	Connector, Receiver type 9561 to junction box 9775 (Pre-Mod. 2304)	1	—	B	
10HB/1957474	17T4510	Connector, junction box 9775 to Receiver ... type 9561 (Pre-Mod. 2304)	1	—	B	
10HB/1957602	19T4510	Connector, junction box type 9775 to Receiver type 9561 (Pre-Mod. 2304)	1	—	B	
10HB/1957619	32T4510	Connector, junction box to Plug break 904 . at FMR442.5 (Pre-Mod. 2304)	1	—	B	
10HB/1957480	33T4510	Connector, junction box type 9775 to Plug . break 906 at FMR442.5 (Pre-Mod. 2304)	1	—	B	
10HB/1957614	34T4510	Connector, junction box 9775 to Plug break at FMR442.5 (Pre-Mod. 2304)	1	—	B	
10HB/1957481	35T4510	Connector, junction type 9775 to blanking ... unit (Pre-Mod. 2304)	1	—	B	
10HB/1957626	36T4510	Connector, junction box type 9775 to blanking unit (Pre-Mod. 2304)	1	—	B	
10HB/1957482	38T4510	Connector, blanking unit to radar unit (Pre-Mod. 2304)	1	—	B	
10HB/1957483	39T4510	Connector, blanking unit to Plug break 913 at FMR442.5 (Pre-Mod. 2304)	1	—	B	
10HB/1957612	42T4510	Connector, junction box type 9775 to Receiver type 9561 (Pre-Mod. 2304)	1	—	B	
10HB/1957621	48T4510	Connector, Receiver type 9561 to junction . . box type 9775 (Pre-Mod. 2304)	1	—	B	
10HB/1957610	50T4510	Connector, junction box type 9775 to blanking unit (Pre-Mod. 2304)	1	—	B	
10HB/1957685	5T4511	Connector, Plug break 916 at FMR442.5 to radar unit (Pre-Mod. 2017)	1	—	B	
10HB/1957682	5T6451	Connector, Plug break 916 at FMR442.5 to radar unit (Mod. 2017)	1	—	B	
10HB/1957686	6T4511	Connector, Plug break 915 at FMR442.5 to radar unit (Pre-Mod. 2017)	1	—	B	
10HB/1957687	4T6451	Connector, Plug break 915 at FMR442.5 to radar unit (Mod. 2017)	1	—	B	
10HB/1957701	6T4714	Connector, Plug, break 1020 at FMR442.5 to transmitter type 7810	1	—		
10HB/1957514	8T5510	Connector, Plug break 199 to interference ... blanker (Mod. 2024)	1	—		
10HB/1957513	9T5510	Connector, Plug break 10 HZ560042 to interference blanker (Mod. 2024)	1	—		
10HB/1957512	10T5510	Connector, Power supply set to control frequency selector (Mod. 2024)	1	—		
10HB/1957575	11T5510	Connector, Plug break 1207 to plug break 1208 (Mod. 2024)	1	—		
10HB/1957574	12T5510	Connector, Power supply set to control frequency selector (Mod. 2024) (Pre-Mod. 2468)	1	—		
10HB/6379337	44T5510	Connector, Power supply set to Control frequency selector (Post Mod. 2468)	1	—		
10HB/1957573	13T5510	Connector, Power supply set to X-brand transmitter (Mod. 2024)	1	—		
10HB/1957509	14T5510	Connector, Power supply set to X-brand transmitter (Mod. 2024)	1	—		
10HB/1957511	15T5510	Connector, Power supply set to X-brand transmitter (Mod. 2024)	1	—		

VULCAN Mk. 2

RADIO AND RADAR INSTALLATION
REAR FUSELAGE AND FIN

Page PE. 5

Ref. No.	Part No.	Description	No. off	Mati. Spec.	Cl. of St.	Plate and Illust'n No.
					M.R.	
		1 2 3 4				
INSTALLATION OF CABLES CONNECTORS FAIRLEADS AND TROUGHS (T4654) (Cont'd)						
10HB/1957506	16T5510	Connector, Power Supply set to X-band	1	—		
		(Mod. 2024)				
10HB/6265114	7T4511	Connector, Plug Break Panel to radar	1	—		
		unit (Mod. 2304)				
10HB/1957508	17T5510	Connector, Power supply set to X-band	1	—	B	
		transmitter (Mod. 2024)				
10HB/1957473	18T5510	Connector, Power supply set to power	1	—	B	
		monitor (Mod. 22024)				
	19T5510	Connector, plug break 1208 to test box	1	—		
		(Mod. 2024)				
10HB/1940998	20T5510	Connector, Power supply set to plug break .	1	—	B	
		1020, TB.1738, TB.1739 and				
		TB.1752 (Mod. 2024)				
10HB/1947572	21T5510	Connector, Test box to aerial switch	1	—	B	
		(Mod. 2024)				
10HB/1957584	23T5510	Connector, Test box to TB.1752 and	1	—	B	
		TB.739 (Mod. 2024)				
10HB/1950996	24T5510	Connector, Test plug to X-band receiver	1	—	B	
		(Mod. 2024)				
10HB/1957582	25T5510	Connector, X-band receiver to TB.1737	1	—	B	
		(Mod. 2024)				
10HB/1957581	26T5510	Connector, Power supply set to X-band	1	—	B	
		receiver (Mod. 2024)				
10HB/1957507	27T5510	Connector, Power supply set to X-band	1	—	B	
		receiver (Mod. 2024)				
10HB/1957579	28T5510	Connector, Power supply set to distribution	1	—	B	
		box (Mod. 2024)				
10HB/1957585	29T5510	Connector, Distribution box to TB.1736	1	—	B	
		and TB.1737 (Mod. 2024)				
10HB/1957472	30T5510	Connector, X-band receiver to interference	1	—	B	
		blanker (Mod. 2024)				
10HB/1957586	32T5510	Connector, Plug break 894 to TB.1738	1	—	B	
		and TB.1752 (Mod. 2024)				
10HB/1957583	33T5510	Connector, Control frequency selector to ...	1	—	B	
		X-band receiver (Mod. 2024)				
10HB/1957471	34T5510	Connector, Tee-piece to radar head	1	—	B	
		(Mod. 2024)				
10HB/1957470	35T5510	Connector, Blanking unit to Tee-piece	1	—	B	
		(Mod. 2024)				
10HB/1957468	36T5510	Connector, Tee-piece to interference	1	—	B	
		blanker (Mod. 2024)				
10HB/1957577	38T5510	Connector, Plug break 174 to plug break	1	—	B	
		894 (Mod. 2024)				
	41T5510	Connector, Test box to waveguide switch ...	1	—	C	
		(Mod. 2369 S.O.O.)				
10HB/1069348	7T6451	Connector, "J", Socket at FMR141.5 to	1	—	B	
		scanner unit, panel (Mod. 2017)				
26FP/13461	21SS3264	Clip	1	L72	C	
26FP/13924	14SS3264	Clip	1	L72	C	
26FP/13109	10SS3264	Clip	3	L72	C	
26FP/13108	9SS3264	Clip	1	L72	C	
26FP/13093	8SS3264	Clip	1	L72	C	
28E/1012876	AS3181/4C	Clip	2	—	C	
28E/1052069	AS3181/7C	Clip	8	—	C	
7683	12SS4622	Duct, cable	2	—	C	PE1/17

RADIO AND RADAR INSTALLATION

REAR FUSELAGE AND FIN

Ref. No.	Part No.	Description	No. off	Mati. Spec.	Cl. of St.	Plate and Illust'n No.
					M.R.	
		1 2 3 4				
INSTALLATION OF CABLES, CONNECTORS FAIRLEADS AND TROUGHS (T4654) (Cont'd)						
	35T4654	FAIRLEAD, GROUP	2	—		PE1/18
		Consisting of:—				
	35aT4654	Fairlead, half	1	—		
	35bT4654	Fairlead, half	1	—		
	1T4898	PLUG, BREAK 907, 908 PORT AND 909 STARBOARD, GROUP	1	—		PE1/19
		Spares for:—				
10H/19273	—	Adaptor, bulkhead	3	—	C	
5X/4491487	14V5650	Sockets, double	2	—	C	
5X/4491488	15V5650	Socket, single	2	—	C	
	25T4654	Support, cable	2	—		
TROUGHS, RADIO AND RADAR INSTALLATION (T4375)						
		Spares for:—				
22802	3T4375	Cover, for port forward trough	1	—	C	PE1/20
22803	4T4375	Cover, for starboard forward trough	1	—	C	PE1/21
22804	29T4375	Cover, for port aft trough	1	—	C	PE1/22
22806	30T4375	Cover, for starboard aft trough	3	—	C	PE1/23
22805	53T4375	Cover, for port aft trough	4	—	C	PE1/24
	1T4381	Trough, cable port forward	1	—		PE1/25
	1T4382	Trough, cable starboard forward	1	—		PE1/26
	1T4384	Trough, cable port aft	1	—		PE1/27
	1T4385	Trough, cable starboard aft	1	—		PE1/28
INSTALLATION OF AERIALS AND CABLES IN FIN (T4742) (Pre-Mod. 2304)						
		Spares for:—				
10AD/153	—	Adaptor	1	—	A	
10B/18937	—	Aerial, V.H.F. type 10228	1	—	A	PE1/29
	4T3494	Aerial, Gee (See Section RA tail unit)	1	L72		PE1/30
10HB/1957463	10T4509	Bracket	1	—		
10HB/1957699	11T4509	Connector, aerial type 10228 to transmitter type 7810	1	—		
		Connector, aerial type 10228 to Plug	1	—		
		break 1035				
INSTALLATION OF X-BAND AERIAL ON FWD. ACCESS DOOR (1D12923) (Pre-Mod. 2369) (Mod. 2024)						
		Spares for:—				
5895-99- 946-5121	—	Aerial	1	—	A	
	2D12923	Bracket, waveguide mounting	1	—		
	20D12923	Cover	1	—		
	22D12923	Pipe assembly, 20G x 3/16" o/d	1	L56		
5895-99- 9455356	—	Seal assembly	1	—		
10B/1953821	21D12923	Waveguide assembly	1	—	A	

RADIO AND RADAR INSTALLATION
REAR FUSELAGE AND FIN

Ref. No.	Part No.	Description	No. off	Matl. Spec.	Cl. of	Plate and Illust'n No.
					St. M.R.	
		1 2 3 4				
<p style="text-align: center;">INSTALLATION OF X-BAND AERIAL ON FWD. ACCESS DOOR (1D14272) (Mod. 2369 S.O.O.)</p> <p style="text-align: center;">Spares for:—</p>						
5895-99- 9465121	GEN. ELECTRIC —	Aerial	2	—	A	
28D/9133012	A25/3C	Attachment for Aerial Bolt	4	—	C	
28F/8011890	9D14272	Clamp, waveguide	1	—		
28F/9440881	AGS952/A	Collar	4	—	C	
	AGS1118/A	Piece, "T"	1	—		
	10D14272	Pipe	1	L56		
	11D14272	Pipe	1	L56		
28F/9128936	6D14272	Platform, waveguide mounting	1	—		
110F/0688089	AGS904/A	Sleeve	4	—	C	
	—	Switch, change-over	1	—	C	
	7D14272	Waveguide assembly	1	—		
	8D14272	Waveguide assembly	1	—		
28DU/9513893	A102/3C	Attachments for Waveguide assembly Bolt, 8 UNC	24	—	C	
28M/1221216	A125/C	Nut, stiff 8 UNC	24	—	C	
<p style="text-align: center;">INSTALLATION OF RADIO AND RADAR EQUIPMENT IN RUDDER P.F.C. BAY (T8147) (Mod. 2304)</p>						
26DL/6009006	1SS4980	Bolt, pan. hd.	2	—	C	PE2/64
28DU/9480168	A102/1C	Bolt, cheese hd.	2	—	C	PE2/65
26DL/6007676	11T6420	Lead, bonding	4	—	C	
	2T8147	Piece, locking	1	—		PE2/66
	3T8147	Piece, packing	1	—		PE2/67
	1T8148	PLATFORM, GROUP	1	—		PE2/68
		Spares for:—				
	2T8148	Platform, honeycomb	1	—		
10AJ/9700790	CEMENTATION MUFFLITE LTD. GB770-6G	Shock mount	2	—	B	PE2/69
	CEMENTATION MUFFLITE LTD. GB896-16G	Shock mount	2	—		PE2/70
		Attachments for Part Nos. GB770-6G and GB896-16G				
28D/1200119	A25/4C	Bolt, hex. hd.	4	—	C	PE2/71
28M/1012015	AGS2001/C1/66	Nut, stiff	4	—	C	
28W/9419402	SP13/C	Washer	8	—	C	
	8T8148	TRAY, RECEIVER, GROUP	1	—		PE2/72
		Spares for:—				
26TD/7190	SMITHS LTD. JBU-45	Pin, hold down, rear	2	—	C	
28P/18051	S113A/4-1/2	Pin, shear	2	—	C	
28P/1040788	SP90/C8	Pin, split	2	—	C	
26FP/15507 or 26TA/16392	SMITHS LTD. MTG29	Screw, hold-down, front	2	—	C	

RADIO AND RADAR INSTALLATION
REAR FUSELAGE AND FIN

Ref. No.	Part No.	Description	No. off	Matl. Spec.	Cl. of St.	Plate and Illust'n No.
					M.R.	
		1 2 3 4				
INSTALLATION OF RADIO AND RADAR EQUIPMENT IN RUDDER P.F.C. BAY (T8147) (Cont'd)						
	13T8148	TRAY, POWER UNIT, GROUP	—	—		PE2/73
		Spares for:—				
26TD/7190	SMITHS LTD.	Pin, hold-down, rear	2	—	C	
28P/18051	JBU—45	Pin, shear	2	—	C	
28P/1040788	SP113A/4-1/2	Pin, split	2	—	C	
26FP/15507	SMITHS LTD.	Screw, hold-down, front	2	—	C	
or	MTG29					
26TA/16392						
	A.E.I.	Receiver, Radio, type 17170	1	—		PE2/74
	316441/D					
	1Z12697	TRAY, DRIP, GROUP	1	—		PE2/75
		Spares for:—				
28D/1010658	A25/1B	Bolt	4	—		PE2/76
28D/9436920	A25/1C	Bolt	4	—		PE2/77
	4Z12697	Bracket	1	L72		PE2/78
	5Z12697	Bracket	1	L72		PE2/79
1510653	6Z12697	Strip, edging (Make from Edging Gromex type A x 6" x 6" long) (Southern Ocean Supplies)	1	—		PE2/80
	2Z12697	Tray, drip	1	—		PE2/81
	A.E.I.	Unit, power, type 17203	1	—		PE2/82
	316437/A1					
28W/9128188	SP55/E	Washer, spring	2	—	C	
28W/1009699	SP55/C	Washer, spring	2	—	C	
INSTALLATION OF PLUG BREAK BRACKET IN P.F.C. BAY (T8149) (Mod. 2304)						
	5T8151	BRACKET, PLUG BREAK, GROUP	1	—		PE2/83
		Spares for:—				
	PB1238SS6082	Label	1	—		
	PB1239SS6082	Label	1	—		
	PB1240SS6082	Label	1	—		
	PB1241SS6082	Label	1	—		
	PB1242SS6082	Label	1	—		
	PB1243SS6082	Label	1	—		
	5aT8151	Panel	1	—		
MOUNTING, POWER AND AERIAL LEAD FILTERS (1T5792)						
		Spares for:—				
12280	4T5792	Fairlead, half	4	BS2572	C	PE1/31
12281	5T5792	Fairlead, half	4	BS2572	C	PE1/32
10P/16712	—	Filter, aerial, type M40	2	—		PE1/33
10P/16713	—	Filter, power, type M41	2	—		PE1/34
12282	7T5792	Plate, mounting	2	DTD5578	C	PE1/35

VULCAN Mk. 2

RADIO AND RADAR INSTALLATION
REAR FUSELAGE AND FIN

Page PE. 7

Ref. No.	Part No.	Description	No. off	Matl. Spec.	Cl. of St.	Plate and Illust'n No.	
					M.R.		
		1 2 3 4					
10AJ/150	1T4862	MOUNTING TOP FOR R.C.M. UNIT, TYPE 945A, GROUP Spares for:—	2	—	MR	PE1/36	
	4T4362	Eyebolt	1	S94	B	PE1/37	
	1T4371	Mounting, top	1	—		PE1/38	
	—	Mounting, A.V. type 959	1	—		PE1/39	
	7T4361	Piece, distance	3	L65	B	PE1/40	
	3T4362	Piece, distance	1	L65			
	9T4361	Spigot	1	L65			
22809	1T4368	MOUNTING, TOP FOR R.C.M. UNIT TYPE ... 7810, GROUP Spares for:—	1	—		PE1/41	
	11T4361	Eyebolt	1	S1	B		
	1T4369	Mounting, tubular structure	1	—			
	—	Mounting, A.V. type 959	1	—			
9T4361	Spigot	1	L65				
10AJ/150	1T4361	MOUNTING, TOP FOR R.C.M. UNIT TYPE ... 9421, GROUP Spares for:—	3	—		PE1/42	
	10T4361	Eyebolt	1	S1	B		
	1T4371	Mounting, top	1	—			
	—	Mounting, A.V. type 959	1	—			
	7T4361	Piece, distance	3	L65			
9T4361	Spigot	1	L65				
10AJ/150	1T4362	MOUNTING, TOP, FOR R.C.M. UNIT TYPE ... 9420, GROUP Spares for:—	3	—		PE1/43	
	4T4362	Eyebolt	1	S94	B		
	1T4371	Mounting, top	1	—			
	—	Mounting, A.V. type 959	1	—			
	2T4362	Piece, distance	3	L65			
	3T4362	Piece, distance	1	L65			
	9T4361	Spigot	1	L65			
	3T6159	MOUNTING, TOP, FOR POWER SUPPLY SET, GROUP (Mod. 2024)	1	—			A
	MOUNTING, X-BAND RECEIVER (T6160) (Mod. 2024) Spares for:—						
T6165	CRADLE FOR RECEIVER UNIT, GROUP	1	—				
A. WELLS & CO. 6D/HDPM/10 CD/HDPM/20	Mounting, A.V. Mounting, A.V.	2 2	— —				
5895-99- 945-2053	—	POWER SUPPLY SET (Mod. 2024)	1	—			
28D/1007973		PATCHING OF AERIAL POSITIONS IN TAIL BETWEEN FMRS. 120.25 AND 141.5" (1Z12606) (Mod. 2304) Spares for:—					
	2Z12604	Plate, patch	4	—		PE1/83	
	5Z12604	Pad	2	—		PE1/84	
	6Z12604	Pad	2	—		PE1/85	
	AS1242/2B	Screw, bolt	16	—		PE1/86	

RADIO AND RADAR INSTALLATION

REAR FUSELAGE AND FIN

Ref. No.	Part No.	Description	No. off	Matl. Spec.	Cl. of St.	Plate and Illust'n No.
					M.R.	
		1 2 3 4				
	100T4292	R.C.M. TRANSMITTERS TYPE 9420, GROUP .	3	—		PE1/44
	1T4863	Spares for:— MOUNTING, BASE, GROUP	1	—		PE1/45
	1T4363	Spares for:— Bracket, mounting	3	—		PE1/46
10AJ/150	—	Mounting, A.V. type 959	8	—	B	PE1/47
	1T4859	Plate, mounting	2	—		PE1/48
	1T4364	RING, MOUNTING, GROUP	1	—		PE1/49
9790	51T4292	Nut, sleeve, 3/4" UNF	3	S92	C	PE1/50
10D/20525	—	Transmitter, type 9420	1	—	A	PE1/51
9764	106T4292	Washer, special	3	—	C	PE1/52
	101T4292	R.C.M. POWER UNIT TYPE 9421, GROUP	3	—		PE1/53
	1T4365	Spares for:— MOUNTING, BASE, GROUP	1	—	B	
9766	1T4366	Spares for:— Bracket, mounting	3	—		
	—	Mounting, A.V., type 959	8	—	B	
10AJ/150	5T4370	Plate, mounting	2	—		
	SP9/C/6	Pin, split	12	—		
	SP9/G/8	Pin, split	8	—		
	1T4364	RING, MOUNTING, GROUP	1	—		
	50T4292	Nut, sleeve, 5/8" UNF	3	—	MR	
10K/4093084	—	Unit, power type 9421	1	—	A	
9764	106T4292	Washer, special	3	—	C	
	102T4292	R.C.M., TRANSMITTERS TYPE 9454, GROUP .	2	—		PE1/54
	1T4863	Spares for:— MOUNTING, BASE, GROUP	1	—		
	1T4363	Spares for:— Bracket, mounting	3	—		
10AJ/150	—	Mounting, A.V. type 959	8	—	B	
	1T4859	Plate, mounting	2	—		
	1T4364	RING, MOUNTING, GROUP	1	—		
	50T4292	Nut, sleeve, 5/8" UNF	3	S92	MR	
10D/4426540	—	Transmitter, type 9454	—	—	A	
9764	106T4292	Washer, special	3	—	C	
	103T4292	R.C.M., TRANSMITTER TYPE 7810, GROUP ..	—	—		PE1/55
	5985-99- 9144-599	Spares for:— MOUNTING, BASE, GROUP	1	—	B	
	1T4367	Spares for:— Bracket, mounting	3	—		
	1T4363	Mounting, A.V. type 959	8	—	B	
10AJ/150	—	Plate, mounting	2	—		
	5T4370	RING, MOUNTING, GROUP	1	—		
	1T4364	Nut, sleeve, 3/4" UNF	3	S92	C	
9790	51T4292	Transmitter, type 7810	1	—	A	
10D/1138724	—	Washer, special	3	—	C	
9764	106T4292	Receiver, type 9561 (Pre-Mod. 2304)	2	—	A	
10D/4419522	—					

RADIO AND RADAR INSTALLATION

REAR FUSELAGE AND FIN

Ref. No.	Part No.	Description	No. off	Matl. Spec.	Cl. of St.	Plate and Illust'n No.
					M.R.	
		1 2 3 4				
	1T4390	SPIDER, SCANNER DAMPING STRUCTURE, GROUP	1	-		PE1/56
	5T4390	Spares for:- SPIDER, GROUP	1	-		PE1/57
22807	4T4390	Spares for:- SPIGOT, GROUP	1	-	C	PE1/58
	4aT4390	Consisting of:- Spigot, housing	1	L51		
28P/14904	4bT4390	Spigot	1	S94		
	SP31/L14	Pin, split taper	1	-		
	3T4390	STRUT, SUPPORT, GROUP	1	-		PE1/59
	3aT4390	Consisting of:- Channel	2	L72		
	3bT4390	Plate, reinforcing	2	L72		
26FZ/26403	3cT4390	Plate, reinforcing	2	L72		
	AS2806-5-090	Tube, distance	1	-	C	
	3T4390	STRUT, SUPPORT, GROUP	2	-		PE1/60
		(For breakdown see above)				
26FZ/26403	AS2806-5-090	Tube, distance	6	-	C	
	-	TRAY MOUNTING INSTALLATION,	Ref.	-	B	
		SCANNER ALIGNMENT UNIT FOR ARI.5952 (Ref. Drg. T64714 and T6469) (Mod. 2017)				
	T6470	Spares for:- PANEL, MOUNTING ASSY	1	-		
	2T6470	Consisting of:- Plate, base	1	-		
	3T6470	Angle	1	-		
	4T6470	Angle	1	-		
	5841/99/954/7740	Unit, scanner alignment	1	-		
		Attachments for Unit:-				
28S/1011491	A32/C24	Screw	4	-	C	
28W/9419454	SP10/C	Washer	4	-	C	
	AS2811/5/02	Tube, distance	4	-		
10AJ/278	-	Tray, mounting, type 9822 (Pre-Mod. 2304)	3	-		PE1/61
10D/21506	-	Unit, blanking, type 1871 (Pre-Mod. 2304)	1	-		PE1/62
10D/20974	-	Unit, radar (Pre Mod. 2017, Part B)	1	-		PE1/63
5841/99/954/7738	-	Unit, radar (Mod. 2017, Part B)	-	-	A	

RADIO AND RADAR INSTALLATION
REAR FUSELAGE AND FIN

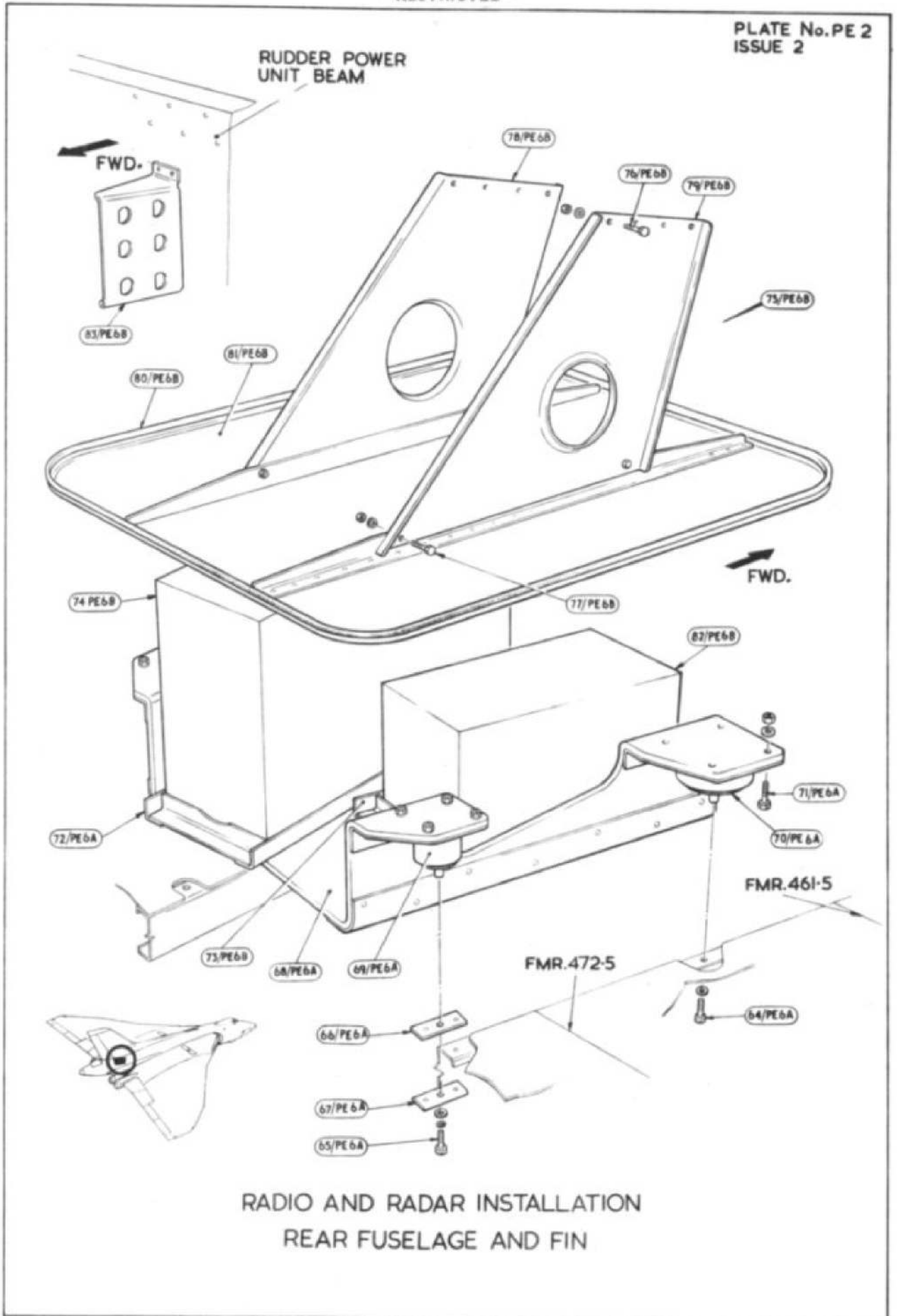
Ref. No.	Part No.	Description				No. off	Matl. Spec.	Cl. of St.	Plate and Illust'n No.
		1	2	3	4			M.R.	
		WAVEGUIDE INSTALLATION, X-BAND (Q3772) (Mod. 2024)							
		Spares for:—							
1432783	10Q3772	Bracket, clip				1	—		
	11Q3772	Bracket, clip				2	—		
	12Q3772	Bracket, clip				1	—		
	13Q3772	Bracket, clip				1	—		
	6Q3772	Cover, guard				1	—	C	
	14Q3772	GUARD, GROUP				1	—	C	
	18Q3772	GUARD, GROUP				1	—		
	19Q3772	Guard				1	—		
5985/99/ 083/0053	—	Ring, sealing				14	—	C	
10B/1953824	2Q3772	WAVEGUIDE, ASSEMBLY				1	—	B	
10B/1432780	3Q3772	WAVEGUIDE, ASSEMBLY				1	—	B	
10B/1953823	4Q3772	WAVEGUIDE, ASSEMBLY				1	—	B	
10B/1953822	5Q3772	WAVEGUIDE, ASSEMBLY				1	—	B	

VULCAN Mk. 2

RADIO AND RADAR INSTALLATION
SUMMARY OF STANDARD ITEMS

Page PE. 11

Stores Ref.		No. off	Stores Ref.		No. off	Stores Ref.		No. off
Section	Ref. No.		Section	Ref. No.		Section	Ref. No.	
28D	1008147	2	28S	9419437	2			
28D	9706373	5	28S	9419453	2			
28D	9140635	7	28S	1200034	8			
28D	1010658	2	28S	9997545	25			
28D	9436920	66	28S	1017747	6			
28D	9133011	129	28S	9995376	14			
28D	9133012	2	28S	9992520	1			
28D	1200119	18	28S	9464989	1			
28D	9133013	8						
28D	7002428	2						
28D	1010030	4	28W	9419454	25			
28D	1011019	12	28W	9419456	2			
28D	9435710	1	28W	9419460	9			
28D	933014	9	28W	9419461	9			
28D	9453970	4	28W	9419464	5			
28D	1212403	8	28W	9419402	102			
28D	1010132	3	28W	9418921	3			
28D	1215081	4	28W	9419466	8			
28D	1007982	10	28W	9419474	3			
			28W	9419475	36			
			28W	9419477	18			
28FP	4062385	2	28W	9419481	15			
28FP	9483371	2	28W	9419482	12			
			28W	9419489	8			
			28W	9419493	6			
28M	1010996	4	28W	9419494	3			
28M	13273	1	28W	1200071	86			
28M	9403520	24	28W	9403514	9			
28M	1011473	3	28W	1010155	2			
28M	5808573	12						
28M	1011476	8						
28M	9129528	1						
28M	9480973	4						
28M	9706320	8						
28M	17406	15						
28M	17407	12						
28M	10286	5						
28M	1278190	107						
28M	10275	1						
28M	10290	3						
28M	10292	16						
28M	1086618	1						
28M	9433473	23						



RADIO AND RADAR INSTALLATION
REAR FUSELAGE AND FIN



This file was downloaded
from the RTFM Library.

Link: www.scottbouch.com/rtfm

Please see site for usage terms,
and more aircraft documents.