

SERVICES  
AIR CONDITIONING

Ref. No.	Part No.	Description	No. off	Mati. Spec.	Cl. of St.	Plate and Illust'n No.
					M.R.	
		AIR CONDITIONING INSTALLATION Consisting of:— AIR CONDITIONING, PRESSURISATION IN CABIN (1Z7635) Spares for:—				
	35Z7635	Clip, half, 4" dia., for duct .....	4	L72		QA1/1
	36Z7635	Clip, half, 4" dia., for duct .....	7	L72		QA1/2
	38Z7635	Clip, half, 4" dia., for duct .....	2	L72		QA1/3
	39Z7635	Clip, half, 4" dia., for duct .....	1	L72		QA1/4
	40Z7635	Clip, half, 4" dia., for duct .....	1	L72		QA1/5
	41Z7635	Clip, half, 4" dia., for duct .....	1	L72		QA1/6
	42Z7635	Clip, half, 4" dia., for duct .....	1	L72	MR	QA1/7
	45Z7635	Clip, half, 3" dia., for duct .....	2	L72	MR	QA1/8
	46Z7635	Clip, half, 3" dia., for duct .....	2	L72	MR	QA1/9
	60Z7635	Clip, half, for ducting support, forward, ..... pilot's floor	2	L72	MR	QA2/10
	71Z7635	Clip, for duct extraction .....	2	L72		QA2/11
	72Z7635	Clip, for feed pipe to bomb aimer's window, ... port	1	L72		QA1/12
	73Z7635	Clip, for feed pipe to bomb aimer's window, ... starboard	1	L72		QA2/13
	72Z6948	Clip, half, 4" dia., for duct .....	17	L72		QA1/14
	89Z6948	Clip, half, 1-1/2" dia. ....	7	L72		QA2/15
	100Z6948	Clip, half, 3" dia. ....	4	L72	MR	QA1/16
28E/9712165	SP91/G	Clip, pipe .....	6	—		QA1/20
28E/20019	SP91/K	Clip, pipe .....	7	—		QA1/21
26FP/13112	12/SS3264	Clip, pipe .....	4	—		QA1/22
26TA/13084	20/SS3264	Clip, pipe .....	4	—		QA1/23
	28SS3264	Clip, pipe .....	6	—		QA1/24
	2Z7634	CLIP, DUCT JOINTING, 3" DIA. WITH ..... ATTACHMENTS, GROUP	5	—	MR	QA2/17
	4Z7634	CLIP, DUCT JOINTING, 4" DIA. WITH ..... ATTACHMENTS, GROUP	25	—	MR	QA2/18
	6Z7634	CLIP, DUCT JOINTING, 5" DIA. WITH ..... ATTACHMENTS, GROUP	1	—	MR	QA2/19
	85Z7635	Clip, for duct, 4.06" dia. ....	26	L72	MR	QA1/25
	86Z7635	Clip, for duct, 3.06" dia. ....	8	L72		QA1/26
27KD/4631702	505570	Connection, ground press .....	1	—	A	QA2/27
4853	3Z7635	Duct, branch feed, between former 232 and .... 204, 5" and 3" o/d x 22G, port	1	L54 & L59	C	QA1/28
4855	6Z7635	Duct, feed, at former 232, 5" o/d x 22G, port	1	L59	C	QA1/29
4857	8Z7635	Duct, feed, between former 274 and 302, 4" ..... o/d x 27-1/2" long approx., port	1	L72	C	QA1/30
	9Z7635	Duct, feed, between former 302 and 344, ..... port	1	L59	MR	QA1/32
4859	10Z7635	Duct, feed, between former 302 and 344, ..... starboard	1	L59	C	QA1/33
4860	12Z7635	Duct, feed at former 232, 4" o/d x 22G, ..... starboard	1	L59	C	QA1/34
	13Z7635	Duct, extraction, between former 232 and ..... 246, 4" o/d x 20" long approx., port	1	L59	MR	QA2/35

**SERVICES**  
**AIR CONDITIONING**

Ref. No.	Part No.	Description	No. off	Matl. Spec.	Cl. of St.	Plate and Illust'n No.
					M.R.	
		1 2 3 4				
<b>AIR CONDITIONING, PRESSURISATION IN CABIN (1Z7635) (Cont'd)</b>						
4862	14Z7635	Duct, extraction branch, between former 232 and 246, 1½" o/d and 4" o/d × 20" long approx., starboard	1	L54 & L59	C	QA2/36
4863	15Z7635	Duct, extraction, joint to joint, through former 260, 4" o/d × 18" long approx., starboard	1	L72	C	QA2/37
4864	16Z7635	Duct, extraction, joint to joint, through former 274 and 288, 4" o/d × 24" long approx.	2	L72	C	QA2/38
4865	17Z7635	Duct, extraction, joint to joint, through former 316 and 330, 4" o/d × 30" long approx.	2	L59	C	QA2/39
	18Z7635	Duct, extraction, joint to joint, through former 316 and 330, 4" o/d × 30" long approx.	2	L72	MR	QA2/40
4867	19Z7635	Duct, extraction, joint to joint, through former 344 and 358, 4" o/d × 24" long approx.	2	L72	C	QA2/41
4868	22Z7635	Duct, extraction, joint, forward former 358 to joint, forward former 372 above pressure control units, 4" o/d and 1½" o/d, starboard	1	L54 & L59	C	QA2/42
4869	23Z7635	Duct, extraction, joint, above pilot's floor to joint branch duct, forward former 372, 4" o/d, port	1	L59	C	QA2/43
4870	24Z7635	Duct, extraction, joint to combined valve unit, 4" o/d × 16" long approx., port	1	L59	C	QA2/44
	26Z7635	Duct, branch feed, centre aft, former 272, 1½" o/d and 4" o/d × 3' 5" long approx.	1	L54 & L59	MR	QA1/45
	78Z7635	<b>DUCT, EXTRACTION, C/W NON-RETURN FLAP, FROM JOINT BELOW PILOT'S FLOOR TO JOINT BETWEEN FORMER 358 AND 372, PORT, GROUP</b>	1	—		QA2/46
	83Z7635	Spares for :— Duct, branch extraction ... ..	1	L54 & L59		QA2/47
	79Z7635	<b>FLAP, NON-RETURN, GROUP ...</b>	1	—		QA2/48
	78aZ7635	Pin, hinge, ⅜" dia. × 4½" long ... ..	1	DTD130A		QA2/49
	82Z7635	<b>DUCT, EXTRACTION, C/W NON-RETURN FLAP, JOINT TO JOINT BELOW PILOT'S FLOOR, STARBOARD, GROUP</b>	1	—		QA2/50
	84Z7635	Spares for :— Duct, extraction, 4" o/d × 30" long approx.	1	L59		QA2/51
	80Z7635	<b>FLAP, NON-RETURN, GROUP ...</b>	1	—		QA2/52
	78aZ7635	Pin, hinge, ⅜" dia. × 4½" long ... ..	1	DTD130A		QA2/53

**SERVICES**  
**AIR CONDITIONING**

Ref. No.	Part No.	Description	No. off	Matl. Spec.	Cl. of St.	Plate and Illust'n No.
					M.R.	
1 2 3 4						
<b>AIR CONDITIONING, PRESSURISATION IN CABIN (1Z7635) (Cont'd)</b>						
10110	90Z7635	Duct, extraction, joint through former 260 4" o/d × 13½' long approx., port	1	L72	C	QA2/54
	97Z7635	Duct, feed, from former 204 to branch duct, 3" o/d × 22G, port	1	L59	MR	QA1/55
	98Z7635	Duct, feed, joint to joint through former 246 and 260 4" o/d × 27½" long approx.	1	L72	MR	QA1/56
	99Z7635	Duct, feed, from former 204 to injector, port	1	L59		QA1/57
	—	<b>DUCTING FROM COMBINED VALVE UNIT TO DECOMPRESSION UNIT, FORWARD FRONT PRESSURE BULK-HEAD (1Z7568)</b>				QA2/58
		Spares for :—				
4880	1Z7189	Cap, end ... ..	1	L59	C	
	1Z7165	<b>CAP, END GROUP</b> ... ..	1	—		
	1Z7162	<b>SHROUD, GROUP</b> ... ..	1	—	MR	
4882	4Z7568	Sleeve ... ..	1	L59	C	
4883	3Z7568	Unit, shroud ... ..	1	L59	C	
	25K32347	Duct, extraction joint to joint through formers 344 and 356, 1½" o/d and 4" o/d × 22G, port and between formers 344 and 358, starboard	1	L54 & L59	MR	QA1/59
	35K32347	Duct, extraction, joint to joint, through formers 344 and 356, 1½" o/d and 4" o/d × 22G, starboard and between formers 344 and 358, port	1	L54 & L59	MR	QA1/60
22017	124Z7635	Duct, feed, to bomb aimer's window, 1½" o/d × 22G × 15" long approx., port	1	L54	C	QA1/61
	127Z7635	Duct, feed, to bomb aimer's window 1½" o/d × 22G × 15" long approx., port	1	L54	MR	QA1/62
	29SK32347	Duct, feed, to bomb aimer's window, 1½" o/d × 22G × 35" long approx., starboard	1	L54	MR	QA1/63
	23SK32347	Duct, reducing feed, forward pilot's floor, port	1	L54 & L59		QA1/64
	24SK32347	Duct, reducing feed, forward pilot's floor, starboard	1	L54 & L59		QA1/65
	26SK32347	Duct, feed, top pilot's floor, 1" o/d × 22G × 12" long approx., starboard	1	L54		QA1/66
	27SK32347	Duct, feed, from joint below pilot's floor to joint between formers 358 and 372, 2" o/d × 22G × 4'-0" long approx., port	1	L54		QA1/67
22015	28SK32347	Duct, feed, from below pilot's floor to joint between formers 358 and 372, 2" o/d × 22G × 4'-0" long approx., starboard	1	L54	C	QA1/68
22016	121Z7635	Duct, feed, top pilot's floor to joint between formers 358 and 372, 2" o/d × 22G × 4'-0" long approx., starboard	1	L54	C	QA1/69
4878	93Z7635	Duct, extraction, at former 232, 1½" o/d × 12" long	1	L56	C	

**SERVICES**  
**AIR CONDITIONING**

Ref. No.	Part No.	Description	No. off	Matl. Spec.	Cl. of St.	Plate and Illust'n No.	
					M.R.		
		1	2	3	4		
<b>AIR CONDITIONING, PRESSURISATION IN CABIN (1Z7635) (Cont'd)</b>							
	122Z7635	Duct, extractor, between stringers 8-11, port	1	—		QA2/70	
	123Z7635	Duct, extractor, between stringers 11-14, port	1	—		QA2/71	
<b>27V/5272</b>	<b>TEDDINGTON FHG A35 55Z7635</b>	<b>Element, temperature sensing (Ductstat)</b>	<b>2</b>	<b>—</b>		<b>QA2/72</b>	
<b>4886</b>	<b>59Z6948</b>	<b>Gasket, emergency, ram air valve, <math>\frac{1}{16}</math>" × <math>4\frac{1}{2}</math>" × <math>4\frac{1}{2}</math>"</b>	<b>1</b>	<b>DTD378A</b>	<b>MR</b>	<b>QA1/73</b>	
	<b>59Z6948</b>	<b>Gasket, for mushroom, crew's floor, <math>\frac{1}{16}</math>" × <math>3\frac{1}{2}</math>" × <math>3\frac{1}{2}</math>"</b>	<b>2</b>	<b>DTD762</b>	<b>C</b>	<b>QA1/74</b>	
	<b>87Z6948</b>	<b>Gasket, non-return valve ... ..</b>	<b>1</b>	<b>DTD378A</b>	<b>MR</b>	<b>QA1/75</b>	
<b>INJECTOR, WITH MESH GUARD, BETWEEN FORMERS 218 AND 240 (1Z9007)</b>							
		Spares for:—					
<b>9755</b>	<b>3Z9007</b>	<b>GUARD, MESH, TOP, GROUP ...</b>	<b>1</b>	<b>—</b>	<b>C</b>	<b>QA1/77</b>	
<b>22021</b>	<b>2Z9007</b>	<b>GUARD, MESH, BOTTOM, GROUP</b>	<b>1</b>	<b>—</b>	<b>C</b>	<b>QA1/78</b>	
<b>22019</b>	<b>1Z9006</b>	<b>INJECTOR, GROUP ... ..</b>	<b>1</b>	<b>—</b>	<b>C</b>	<b>QA1/79</b>	
<b>LEVER, CONTROL, FOR LOCKING 4-10" NON-RETURN VALVE, ON REAR PRESSURE BULKHEAD (1Z9138)</b>							
		Spares for:—					
<b>5718</b>	<b>4Z9138</b>	<b>Arm, operating ... ..</b>	<b>1</b>	<b>DTD171B</b>	<b>C</b>	<b>QA1/81</b>	
<b>5719</b>	<b>6Z9138</b>	<b>Bolt, special ... ..</b>	<b>1</b>	<b>S80</b>	<b>C</b>	<b>QA1/82</b>	
<b>5720</b>	<b>3Z9138</b>	<b>BRACKET, LOCATING, GROUP ...</b>	<b>1</b>	<b>—</b>	<b>C</b>	<b>QA1/83</b>	
		Spares for:—					
	<b>217/SS6004</b>	<b>Label, "Flight Position" ... ..</b>	<b>1</b>	<b>L59</b>		<b>QA1/84</b>	
<b>5721</b>	<b>5Z9138</b>	<b>Pin, special ... ..</b>	<b>1</b>	<b>S80</b>	<b>C</b>	<b>QA1/85</b>	
<b>5722</b>	<b>2Z9138</b>	<b>Spring, 22G × .80" long ... ..</b>	<b>1</b>	<b>Spring Steel</b>	<b>C</b>	<b>QA1/86</b>	
<b>MOUNTING, COMBINED VALVE UNIT, FORWARD FRONT PRESSURE BULKHEAD (14Z6945)</b>							
		Spares for:—					
<b>27KD/4631826</b>	<b>NORMALAIR 504375/AA</b>	<b>Adaptor ... ..</b>	<b>1</b>	<b>—</b>	<b>C</b>	<b>QA2/88</b>	
<b>BOX, EXTRACTION AIR COLLECTION WITH DECOMPRESSION FLAP (1Z7489)</b>							
		Spares for:—					
	<b>31Z7489</b>	<b>ADJUSTER, SPRING, GROUP ...</b>	<b>1</b>	<b>—</b>		<b>QA2/90</b>	
<b>6244</b>	<b>41Z7489</b>	<b>DOOR, ACCESS, GROUP ...</b>	<b>1</b>	<b>—</b>	<b>C</b>	<b>QA2/91</b>	
		Spares for:—					
<b>2151</b>	<b>8Z7489</b>	<b>Pad, felt, <math>\frac{1}{2}</math>" thick, 7" × 7" ...</b>	<b>1</b>	<b>RS4</b>		<b>QA2/92</b>	
	<b>6Z7489</b>	<b>Spring, 13 G ... ..</b>	<b>2</b>	<b>Spring Steel</b>	<b>C</b>	<b>QA2/93</b>	
	<b>14Z7489</b>	<b>Tube, distance, <math>\frac{3}{16}</math>" o/d × 17G × 0-58" long</b>	<b>1</b>	<b>T35</b>		<b>QA2/94</b>	

SERVICES  
AIR CONDITIONING

Ref. No.	Part No.	Description	No. off	Mati. Spec.	Cl. of	Plate and Illust'n No.
					St. M.R.	
		1 2 3 4				
		BOX, EXTRACTION AIR COLLECTION, WITH DECOMPRESSION FLAP (127489) (Cont'd)				
	33Z7489	Pin, adjuster .....	1	S1		QA2/95
2153	19Z7489	PLATE, COVER, GROUP .....	1	-	C	QA2/96
	38Z7489	Tube, distance, 5/16" o/d x 17G x 0.50" long	1	T35		QA2/97
27KD/4631827	NORMALAIR 504376/W	Clamp .....	1	-	C	QA2/98
27KD/4631828	NORMALAIR 504372/W 3Z6945	Ring, sealing .....	1	-	C	QA2/99
	4Z6945	Seal, adaptor, "Hallite", 1/32" thick x 8" x 8"	1	DTD378A	MR	QA2/100
	4Z6945	Seal, mounting, "Hallite", 1/32" thick x 10.5" x 10.5"	1	DTD378A	MR	QA2/101
27KD/4631737	NORMALAIR 510680	Unit, combined valve .....	1	-	A	QA2/102
		MOUNTING, INWARD RELIEF VALVE, ON FORWARD PRESSURE BULKHEAD (127894)				
	2Z7894	Spares for:- MOUNTING, INWARD RELIEF VALVE, GROUP	1	-		QA1/104
		Attachments—Mounting, Part No. 2Z7894				
28D/9133011	A25/2C	Bolt, 2 BA .....	20	-	C	
28M/1012015	AGS2001/C1/66	Nut, 2 BA .....	20	-	C	
28W/9419475	SP15/C 3Z7894	Washer, 2 BA .....	20	-	C	
	4Z7894	Seal, relief valve, "Hallite", 1/32" thick x 11" dia.	1	DTD378A	MR	QA1/105
	4Z7894	Seal, mounting, "Hallite", 1/32" thick x 9.5" dia.	1	DTD378A	MR	QA1/106
27KD/4631886	NORMALAIR 509180	Valve, inward relief, 6.10" dia. ....	1	-	A	QA1/107
		Attachments—Valve, Part No. 509180				
28D/9133012	A25/3C	Bolt, 2 BA .....	15	-	C	
28D/1011238	A25/3E	Bolt, 1/4" BSF .....	1	-	C	
28M/1012015	AGS2001/C1/66	Nut, 2 BA .....	15	-	C	
28M/9480017	AGS2001/E1/66	Nut, 1/4" BSF .....	1	-	C	
28W/9419475	SP15/C	Washer, 2 BA .....	15	-	C	
28W/9419405	SP15/E	Washer, 1/4" BSF .....	1	-	C	
		MOUNTING, CABIN ALTITUDE SWITCH AND TEMPERATURE CONTROL UNIT (129912) (Mod. 690)				QA2/108
		Spares for:-				
5CZ/4335567	TEDDINGTON CONTROL FLM/A/14	Controller, temperature .....	1	-	A	QA2/109

SERVICES  
AIR CONDITIONING

Ref. No.	Part No.	Description	No. off	Matl. Spec.	Cl. of	Plate
					St.	and
		1 2 3 4			M.R.	Illust'n No.
		MOUNTING, CABIN ALTITUDE SWITCH AND TEMPERATURE CONTROL UNIT (1Z9912) (Cont'd)				
5CZ/5140	TEDDINGTON CONTROL PAD/A/0/4	Switch, altitude, cabin .....	1	—	A	QA2/110
		MOUNTING, PRESSURE CONTROL UNITS AND AMBIENT PRESSURE SWITCH, STARBOARD (17Z28508)				QA2/111
	9Z8508	Spares for:— BRACKET, SWITCH, GROUP .....	1	—		QA2/112
	181/SS6002	Spares for:— Label, "Pressure Warning Horn" .....	1	L72		QA2/113
	13Z7384	SWITCH, GROUP .....	1	—		QA2/114
	299/SS6002	Consisting of:— Label, "On" .....	1	—		QA2/115
5CW/4407828	—	Switch .....	1	—	A	QA2/116
28W/1097257	B. & C 1906/1	Washer, locking .....	2	—	C	QA2/117
27KD/4631731	NORMALAIR 509320	Controller, pressure, motorised, type "F" .....	1	—	A	QA2/118
27KD/4631732	NORMALAIR 511930	Controller, pressure, unmotorised, type "F" .....	1	—	A	QA2/119
	10Z8508	Insulator, bottom, outer .....	1	Fibreglass		QA2/120
	11Z8508	Insulator, top, outer .....	1	Fibreglass		QA2/121
	12Z8508	Insulator, bottom, inner .....	1	Fibreglass		QA2/122
	13Z8508	Insulator, top, inner .....	1	Fibreglass		QA2/123
	20Z8508	Insulator, bottom .....	1	—		QA2/123a
	19Z8508	Insulator, top .....	1	—		QA2/123b
5CW/4402920	TEDDINGTON CONTROL PAD/A/D/3	Switch, altitude, ambient .....	1	—	A	QA2/124
		MOUNTING, RELIEF VALVE, FORWARD PRESSURE BULKHEAD (1Z8100)				QA2/125
		Spares for:—				
27KD/4631885	NORMALAIR 510660	Valve, pressure, relief .....	1	—	A	QA2/126
		Attachments—Pressure, relief, Part No. 510660				
28D/1214311	A25/17C	Bolt, 2 BA .....	3	—	C	
28D/1011026	A25/26C	Bolt, 2 BA .....	3	—	C	
28M/9433473	AGS2002/C1	Nut, 2 BA .....	6	—	C	
4895	68Z6948	Mushroom, on crew's floor .....	2	—	C	QA2/127
		Attachments—Mushroom, Part No. 68Z6948				
28D/1214035	AS1242/13C	Bolt, 2 BA, csk. hd. ....	4	—	C	
28M/1012015	AGS2001/C1/66	Nut, 2 BA .....	4	—	C	
28W/9419475	SP15/C	Washer, 2 BA .....	4	—	C	

SERVICES  
AIR CONDITIONING

Ref. No.	Part No.	Description	No. off	Matl. Spec.	Cl. of St.	Plate and Illust'n No.
					M.R.	
		1 2 3 4				
		AIR CONDITIONING, PRESSURISATION IN CABIN (127635) (Cont'd)				
4896	7SK32347 5Z7635	Nozzle, feed duct, bomb aimer's window . . . .	2	L54		QA1/128
		Piece, breeches, at former 232, port . . . . .	1	L54 & L59	C	QA1/129
4898	89Z7635	PIPE, DOUBLE STUB, EXTRACTION BOX, . BETWEEN FORMERS 274 AND 288.4" o/d AND 1-1/2" o/d x 22G, STARBOARD, GROUP	2	L54 & L59	C	QA2/130
4899	57cZ7635	Spares for:— Seal, 1/16" thick x 7" x 6.25" (Hallite) . . .	1	DTD378C	C	
4900	62Z7635	Pipe, extraction, lower, forward former 372, . . 1-1/2" o/d x 22G x 3' 9" long approx., port	1	L56	C	QA2/131
	100Z7635	Pipe, extraction, lower, forward, former 372, . . 1-1/2" o/d x 22G x 18" long approx., starboard	1	L56		QA2/132
	101Z7635	Pipe, extraction, between stringers 35 and . . . . 40, forward former 372, 1-1/2" o/d x 22G x 28" long approx., starboard	1	L56		QA2/133
	102Z7635	Pipe, extraction, between stringer 40 and . . . . pilot's floor 1-1/2" o/d x 22G x 22" long approx., starboard	1	L56		QA2/134
	103Z7635	Pipe, extraction, between pilot's floor and . . . . stringer 46, 1-1/2" o/d x 22G x 30" long approx., starboard	1	L54 & L59		QA2/135
	33Z6948	Pipe, feed, to mushroom on crew's floor, . . . . 1-1/2" o/d x 20G, port	1	L54 & L59		QA1/136
	34Z6948	Pipe, feed, to mushroom on crew's floor, . . . . 1-1/2" o/d x 20G, starboard	1	L54 & L59		QA1/137
	1Z8489	PIPE, STUB, BETWEEN FORMERS 246 . . . . AND 260, 1-1/2" o/d x 22G, GROUP	2	L54 & L59		QA1/138
	3Z8489	PIPE, STUB, BETWEEN FORMERS 288 . . . . AND 302, 1-1/2" o/d x 22G, GROUP	2	L54 & L59		QA1/139
	1dZ7676	Spares for:— Seal, 1/32" thick x 5-3/4" x 4" (Hallite) . . .	1	DTD378A	C	
	4Z8489	PIPE, STUB, BETWEEN FORMERS 316 . . . . AND 330, 1-1/2" o/d x 22G, GROUP	2	L54 & L59		QA1/140
	5Z8489	PIPE, STUB, BETWEEN FORMERS 344 . . . . AND 358, 1-1/2" o/d x 22G, GROUP	2	L54 & L59		QA1/141
	4dZ7676	Spares for:— Seal, 1/32" thick x 4-1/2" x 4" (Hallite) . . .	1	DTD378A		
	2Z7677	PIPE, STUB, BETWEEN FORMERS 302 . . . . AND 316, 1-1/2" o/d x 22G, GROUP	2	L54 & L59		QA2/142
	3Z7677	PIPE, STUB, BETWEEN FORMERS 33C . . . . AND 344, 1-1/2" o/d x 22G, GROUP	2	L54 & L59		QA2/143
8064	107Z7635	Pipe, feed, between formers 316 and 330, 1" o/d x 22G x 13" long, port	1	L54	C	QA1/143a
	108Z7635	Pipe, feed, between formers 316 and 330, 1" o/d x 22G x 13" long, starboard	1	L54		QA1/143b

SERVICES  
AIR CONDITIONING

Ref. No.	Part No.	Description	No. off	Matl. Spec.	Cl. of St.	Plate and Illust'n No.
					M.R.	
		1 2 3 4				
		AIR CONDITIONING, PRESSURISATION IN CABIN (1Z7635) (Cont'd.)				
	4Z7677	PIPE, STUB, BETWEEN FORMERS 316 ..... AND 330, 1-1/2" o/d x 22G, GROUP	1	L54 & L59		QA2/144
	1dZ7677	Spares for:— Seal, 1/32" thick x 4" x 5-3/4" (Hallite) .....	1	DTD378A		
		PIPING, FROM PRESSURE CONTROLLERS TO COMBINED VALVE UNIT (150Z7741)				
		Spares for:—				
	33Z7741	Arm, fork-end, release valve unit .....	1	S3 & S21	MR	QA4/145
27K/4611187	TELEFLEX 39960	Box, adjustable lever, R.H. ....	1	—	C	QA4/146
	36Z7741	Bracket, spring loaded swivel .....	1	—		QA4/147
	TELEFLEX					
27K/4700346	DS23/2	Cable, 17' 0" long approx. ....	1	—	C	QA4/148
26FP/2721	2SS3859	Clip, bonded .....	8	—	C	QA4/149
9007	3SS3859	Clip, bonded .....	4	—	C	QA6/150
	34Z7741	Clip, conduit .....	6	L72	MR	QA4/151
	35Z7741	Clip, conduit .....	1	L72	MR	QA4/152
	TELEFLEX					
27K/4611023	DS56/2	Conduit, "Teleflex", 3' 0" long approx. ....	2	—	C	QA4/153
	TELEFLEX					
27K/4611023	DS56/2	Conduit, "Teleflex", 4' 0" and 5' 0" long approx. ....	1	—	C	QA4/154
	TELEFLEX					
	B29140	Connector, conduit .....	3	—		QA4/154a
	8S1984	FAIRLEAD, FOR PIPES, GROUP .....	1	—		QA6/155
	24Z7741	FAIRLEAD, FOR PIPES, GROUP .....	3	—		QA6/156
	25Z7741	FAIRLEAD, FOR PIPES, GROUP .....	1	—	MR	QA6/157
	13Q1627	FAIRLEAD, FOR PIPES, GROUP .....	4	—		QA6/158
	25Z3224	FAIRLEAD, FOR PIPES, GROUP .....	3	—	MR	QA6/159
	31Q1311	FAIRLEAD, FOR PIPES, GROUP .....	1	—	MR	QA4/160
		(Mk. 1 only)				
	TELEFLEX C1858	Fork-end, sliding, release valve unit .....	1	—		QA4/161
		(Make up from AP4515 to Vol. 3, Part 1)				
	2SS4298	Fork-end, at release valve .....	1	—		QA4/162
	32Z7741	HANDLE, CONTROL, UNIT, GROUP .....	1	—		QA4/163
		Consisting of:—				
	16Z7131	Bush, 1/2" dia. x 1/2" long .....	1	DTD364B		QA4/164
	11Z7131	Cap, screwed .....	1	DTD364B		QA4/165
	TELEFLEX					
27K/747	A16527/B	Ferrule, knob screw .....	1	—	C	QA4/166
	12Z7131	Grip, handle .....	1	DTD364B		QA4/167
1505495	46Z7131	Knob .....	1	—	C	QA4/168

VULCAN MK. 2

SERVICES  
AIR CONDITIONING

Page QA. 9

Ref. No.	Part No.	Description	No. off	Matl. Spec.	Cl. of St.	Plate and Illust'n No.	
					M.R.		
		1	2	3	4		
		HANDLE, CONTROL UNIT (32Z7741) (Cont'd.)					
	10Z7131	Lever, barrel .....	1	DTD364B		QA4/169	
	SR3-1848	Marker, Betalite .....	1	—			
	15Z7131	Peg .....	1	DTD364B		QA4/170	
	19Z7131	Pin, 1/8" dia. x 1-1/4" long .....	1	S3		QA4/171	
	13Z7131	Plunger .....	1	DTD364B		QA4/172	
	TELEFLEX						
27K/46011011	A5507/B	Screw, knob, locating .....	1	—	C	QA4/173	
	14Z7131	Spring, 16G .....	1	Spring Steel	C	QA4/174	
	58/SS3554	Piece, 4-way, 5/16" x 1/4" x 1/8" BSP .....	1	—	C	QA6/175	
	2/SS4098	Pin, solid, for fork-end and arm, release valve unit	3	—	MR	QA6/176	
	5Z7741	PIPE, BULKHEAD ADAPTOR TO CV UNIT, 1/4" o/d x 22G x 3' 6" LONG APPROX., GROUP	1	L56	MR	QA6/177	
	6Z7741	PIPE, BULKHEAD ADAPTOR TO CV UNIT, 1/4" o/d x 22G x 2' 4" LONG APPROX., GROUP	1	L56	MR	QA6/178	
4923	7Z7741	PIPE, BULKHEAD ADAPTOR TO TEE-PIECE, 1/4" o/d x 22G x 2' 6" LONG APPROX., GROUP	1	L56	C	QA6/179	
	8Z7741	PIPE, BULKHEAD ADAPTOR TO TEE-PIECE, 1/4" o/d x 22G x 2' 10" LONG APPROX., GROUP	1	L56	MR	QA6/180	
4925	9Z7741	PIPE, TEE-PIECE TO AFT RELEASE VALVE UNIT, 5/16" o/d x 22G x 2' 4" LONG APPROX., GROUP	1	L56	C	QA6/181	
4926	10Z7741	PIPE, TEE-PIECE TO FORWARD RELEASE VALVE UNIT, 5/16" o/d x 22G x 18" LONG APPROX., GROUP	1	L56	C	QA6/182	
	13Z7741	PIPE, PRESSURE CONTROLLER TO AFT WATER TRAP, 1/4" o/d x 22G x 6" LONG APPROX., GROUP	1	L56	MR	QA6/183	
4928	15Z7741	PIPE, AFT RELEASE VALVE TO TEE-PIECE, 5/16" o/d x 22G x 2' 4" LONG APPROX., GROUP	1	L56	C	QA6/184	
	16Z7741	PIPE, FORWARD RELEASE VALVE TO TEE-PIECE, 5/16" o/d x 22G x 20" LONG APPROX., GROUP	1	L56	MR	QA6/185	
	17Z7741	PIPE, BULKHEAD ADAPTOR TO TEE-PIECE, 5/16" o/d x 22G x 2' 7" LONG APPROX., GROUP	1	L56		QA6/186	
	103Z7741	PIPE, FROM TEE-PIECE TO UNION THROUGH FAIRLEAD GROUP, 1/4" o/d x 22G, GROUP	1	L56	MR	QA6/186a	

SERVICES  
AIR CONDITIONING

Ref. No.	Part No.	Description	No. off	Matl. Spec.	Cl. of St.	Plate and Illust'n No.
					M.R.	
		1 2 3 4				
		PIPING, FROM PRESSURE CONTROLLERS TO COMBINED VALVE UNIT (15Z7741) (Cont'd.)				
	21Z7741	PIPE, PRESSURE CONTROLLER ..... TO TEE-PIECE, 1/4" o/d x 22G x 6" LONG APPROX., GROUP	1	L56	MR	QA6/187
4932	56Z7741	PIPE, BULKHEAD ADAPTOR TO ..... TEE-PIECE, 5/16" o/d x 22G x 3' 0" LONG APPROX., GROUP	1	L56	C	QA6/188
4938	63Z7741	PIPE, TEE-PIECE TO TEE-PIECE ..... AFT RELAY VALVE, 5/16" o/d x 22G x 6" LONG APPROX., GROUP	1	L56	C	QA6/189
22025	77Z7741	PIPE, FROM TEE-PIECE UNDER ..... PILOT'S FLOOR TO 4-WAY PIECE, 1/4" o/d x 22G x 4' 4" LONG APPROX., GROUP	1	L56	C	QA6/190
22026	78Z7741	PIPE, FROM TEE-PIECE UNDER ..... PILOT'S FLOOR TO UNION, 1/4" o/d x 22G x 3' 0" LONG APPROX., GROUP	1	L56	C	QA6/191
22027	79Z7741	PIPE, FROM TEE-PIECE UNDER ..... PILOT'S FLOOR TO UNION, 1/4" o/d x 22G x 4' 4" LONG APPROX., GROUP	1	L56	C	QA6/192
	80Z7741	PIPE, FROM TEE-PIECE UNDER ..... PILOT'S FLOOR TO WATER TRAP, 1/4" o/d x 22G x 5' 0" LONG APPROX., GROUP	1	L56	MR	QA6/193
17429	81Z7741	PIPE, FROM AMBIENT SWITCH ..... TO 4-WAY, PIECE, 3/16" o/d x 22G x 14" LONG APPROX., GROUP	1	L56	C	QA6/194
11025	82Z7741	PIPE, FROM MOTORISED PRESSURE CONTROLLER TO WATER TRAP, 1/4" o/d x 22G x 12" LONG APPROX., GROUP	1	L56	C	QA6/195
	83Z7741	PIPE, FROM MOTORISED PRESSURE CONTROLLER TO 4-WAY PIECE, 1/4" o/d x 22G x 12" LONG APPROX., GROUP	1	L56	MR	QA6/196
22023	84Z7741	PIPE, FROM UNION TO WATER ..... TRAP, 1/4" o/d x 22G x 2' 8" LONG APPROX., GROUP	1	L56	C	QA6/197
22024	85Z7741	PIPE, FROM UNION TO WATER ..... TRAP, 1/4" o/d x 22G x 2' 8" LONG APPROX., GROUP	1	L56	C	QA6/198

SERVICES  
AIR CONDITIONING

Ref. No.	Part No.	Description	No. off	Matl. Spec.	Cl. of	Plate and Illust'n No.
					St. M.R.	
		1 2 3 4				
PIPING FROM PRESSURE CONTROLLERS (150Z7741) (Cont'd)						
5CW/4742	DOWTY C1381/Y	Switch .....	1	—	A	QA6/199
27K/4690895	TELEFLEX C24196	Swivel, spring loaded .....	1	—	B	QA4/200
	34/SS3557	Tee-piece .....	3	—		QA6/201
	119/SS3557	Tee-piece .....	2	—		QA6/202
26FP/13758	134/SS3557	Tee-piece .....	2	—	C	QA6/203
26FP/15243	1/SS3297	Tumbuckle, 2 BA .....	1	—	C	QA4/204
27QM/4680107	DOWTY C5748Y-Mk. 1	Unit, release valve .....	2	—	A	QA4/205
2549	26Z7741	WATER-TRAP, GROUP .....	4	—	C	QA6/206
	—	SYSTEM, DE-MISTING WINDSCREEN .....	—	—		
		(1Z9622)				
		Spares for:—				
8031	1Z9696	BRACKET, MTG, HEATER, GROUP .....	1	—	C	QA5/207
5503	35Z7700	Bracket, spray pipe .....	2	—	C	QA5/208
	30Z7700	Bracket, at cockpit rail .....	1	—		QA5/209
	13Z9622	Bracket, at cockpit rail .....	1	—		QA5/210
26TA/13084	20SS3264	Clip, "P", for pipe .....	2	—	C	QA5/211
26FP/13093	8SS3264	Clip, "P", for pipe .....	2	—	C	QA5/212
	31Z7700	Clip, duct to cockpit rail .....	2	—		QA5/213
28E/9712163	SP91/C	Clip, hose .....	A/R	—	C	QA5/214
28E/4710971	SP91/N	Clip, hose .....	A/R	—	C	QA5/217
	9Z9622	DUCT, FROM Y-PIECE TO JOINT, L.H., . . . GROUP	1	—	MR	QA5/218
	10Z9622	DUCT, FROM Y-PIECE TO JOINT, R.H., . . . GROUP	1	—	MR	QA5/219
8027	11Z9622	DUCT, FROM CENTRE DUCT, BELOW . . WINDSCREEN, L.H., GROUP	1	—	C	QA5/220
8028	12Z9622	DUCT, FROM CENTRE DUCT, BELOW . . WINDSCREEN, R.H., GROUP	1	—	C	QA5/221
	36Z7700	DUCT, CENTRE FEED, BELOW . . . . . WINDSCREEN, GROUP	1	—	MR	QA5/222
8024	8Z9622	DUCT, Y-PIECE AT BLOWER AND . . . . . HEATER UNIT, GROUP	1	—	C	QA5/223
	15Z9596	Gasket, blower .....	1	DTD378A	MR	QA5/224
	5Z9622	Gauze, wire mesh, 22G, No. 8 .....	1	Brass		QA5/225
	AS3360/C3	Lead, bonding .....	2	—		QA5/226
28E/1983164	SP91/E or	Clip, hose .....	A/R	—	C	QA5/215
28E/20104	SP91/F or	Clip, hose .....	A/R	—	C	
28E/9712165	SP91/G	Clip, hose .....	A/R	—	C	
28E/6250283	SP91/J or	Clip, hose .....	A/R	—	C	QA5/216
28E/20019	SP91/K	Clip, hose .....	A/R	—	C	

SERVICES  
AIR CONDITIONING

Ref. No.	Part No.	Description	No. off	Matl. Spec.	Cl. of	Plate and Illust'n No.
					St. M.R.	
		1 2 3 4				
		SYSTEM DE-MISTING WINDSCREEN (1Z9622) (Cont'd)				
11582	15Z9622	Pipe, spray, side window, port .....	1	L54 & L59	C	QA5/227
11583	16Z9622	Pipe, spray, side window, starboard .....	1	L54 & L59	C	QA5/228
5506	50Z7700	Pipe, side, cockpit to inboard duct, .....	1	L54 & L59	C	QA5/229
		starboard				
5507	51Z7700	Pipe, side, cockpit to inboard duct, .....	1	L54	C	QA5/230
		starboard				
5509	53Z7700	Pipe, outboard duct to side cockpit, port ..	1	L54	C	QA5/231
	67Z7700	Pipe, joint to joint, side cockpit .....	1	L54	MR	QA5/232
10664	14Z9622	Pipe, spray, centre window .....	—	—	C	QA5/233
9246	64Z7700	PIPE FROM JOINT TO PILOT'S SIDE .... WINDOW, PORT, 3/4" O/D x 22G x 9" LONG, GROUP	1	—	C	QA5/234
9247	65Z7700	PIPE, FROM JOINT TO PILOT'S SIDE .... WINDOW, STARBOARD, 3/4" O/D x 22G x 9" LONG, GROUP	1	—	C	QA5/235
	PLANNAIR 3PL/182-254H	UNIT, BLOWER AND HEATER, .....	1	—		QA5/236
		GROUP				
		Consisting of:—				
5UD/1095866	3PL182-271 Mk. 3	Blower .....	1	—	B	
5UD/4388637	1000-354H Mod. 1	Heater .....	1	—	B	
	AS/2811/5/190	Tube, distance .....	2	—		QA1/237
	AS/2801/5/016	Tube, distance .....	2	—		QA1/238
	AS/2811/5/050	Tube, distance .....	1	—		QA1/239
22022	1Z7238	VALVE, BUTTERFLY, 4" DIA., .....	2	—	A	QA1/240
		BETWEEN FORMERS 232-246, GROUP				
		Spares for:—				
	5Z6531	Spring .....	1	—		
	4Z6531	Washer, locking .....	1	—		
27KD/4631874	NORMALAIR 513600	Valve, non-return, 4.10" dia. ....	1	—	A	QA1/241
27KD/4631829	NORMALAIR 503400	Valve, air, emergency, ram .....	1	—	A	QA1/242
27KD/4631869	NORMALAIR 512330 DEV. 1	Valve, non-return, 3" dia. ....	1	—	A	QA1/243

VULCAN Mk 2

SERVICES  
AIR CONDITIONING

Page QA. 13

Ref. No.	Part No.	Description	No. off	Matl. Spec.	Cl. of St.	Plate and Illust'n No.
					M.R.	
		1 2 3 4				
		CONTINUOUS PRESSURIZATION INSTALLATION FOR RADIO EQUIPMENT (2T7571) (Mod. 2193)				
	2T7666	Spares for:— PANEL, CONTINUOUS PRESSURIZATION, GROUP	1	—		
	3T7666	Spares for:— Panel .....	1	—		
	40T7571	PIPE, GROUP .....	1	L56		
	41T7571	PIPE, GROUP .....	1	L56		
	42T7571	PIPE, GROUP .....	1	L56		
	43T7571	PIPE, GROUP .....	1	L56		
	44T7571	PIPE, GROUP .....	1	L56		
	45T7571	PIPE, GROUP .....	1	L56		
28Y/9701165	DAMIC DC22 DUNLOP	Valve, charging .....	2	—	C	
27VA/1501701	ACM26758	Valve, pressure relief .....	1	—	A	
27VA/1501702	ACM26760	Valve, pressure relief .....	1	—	A	
27VA/1502686	ACM25138	Valve, pressure reducing .....	1	—	A	
27VA/1501700	ACM25164	Valve, pressure reducing .....	1	—	A	
		(For spares see AP.4515, Vol. 3, Pt. 1, Chap. 55)				
	31T7571	PIPE, GROUP (Pre Mod. 2321) .....	1	L56		
	34T7571	PIPE, GROUP .....	1	L56		
	36T7571	PIPE, GROUP .....	1	L56		
	38T7571	PIPE, GROUP .....	1	L56		
	39T7571	PIPE, GROUP .....	1	L56		
	26T7571	PIPE, FLEXIBLE, GROUP .....	1	—		
	27T7571	PIPE, FLEXIBLE, GROUP .....	1	—		
	28T7571	PIPE, FLEXIBLE, GROUP .....	1	—		
	33T7571	PIPE, FLEXIBLE, GROUP .....	1	—		
	35T7571	PIPE, FLEXIBLE, GROUP .....	1	—		
	37T7571	PIPE, FLEXIBLE, GROUP .....	1	—		
	47T7571	PIPE, FLEXIBLE, GROUP .....	1	—		

SERVICES  
AIR CONDITIONING

Ref. No.	Part No.	Description	No. off	Matl. Spec.	Cl. of St.	Plate and Illust'n No.
					M.R.	
		1 2 3 4				
		CONTINUOUS PRESSURIZATION INSTALLATION FOR RADIO EQUIPMENT (2T7571) (Cont'd)				
1433870	5T7571 BESTOBELL	Summary of materials for flexible pipes:— Adaptor, special .....	4	—	C	
1433872	BAS243/C2	Clip .....	14	—	C	
1433871	6T7571	Ferrule .....	8	—	C	
1433873	46T7571 117SS6065	Ferrule .....	2	—	C	
	BRIFLEX LTD.	Label .....	4	—		
1433869	NF30	Nylon, tubing .....	—	—	C	
	AGS2111	Sleeve, outer .....	9	—		
	AGS904/A	Sleeve, outer .....	2	—		
27VA/4626238	DUNLOP ACM21228	Valve, non-return .....	4	—		
		CONTINUOUS PRESSURIZATION INSTALLATION FOR X-BAND EQUIPMENT (3T7571) (Mod. 2193)				
		Spares for:—				
	16T7571	PANEL, GROUP .....	1	—		
	15T7571	PIPE, GROUP .....	1	L56		
	17T7571	PIPE, GROUP .....	1	L56		
	18T7571	PIPE, GROUP .....	1	L56		
	7T7571	PIPE, FLEXIBLE, GROUP .....	1	—		
	8T7571	PIPE, FLEXIBLE, GROUP .....	1	—		
	9T7571	PIPE, FLEXIBLE, GROUP .....	1	—		
	10T7571	PIPE, FLEXIBLE, GROUP .....	1	—		
	11T7571	PIPE, FLEXIBLE, GROUP .....	1	—		
	12T7571	PIPE, FLEXIBLE, GROUP .....	1	—		
	13T7571	PIPE, FLEXIBLE, GROUP .....	1	—		
	14T7571	PIPE, FLEXIBLE, GROUP .....	1	—		
	29T7571	PIPE, FLEXIBLE, GROUP .....	1	—		
	30T7571	PIPE, FLEXIBLE, GROUP .....	1	—		
1433870	5T7571	Summary of materials for flexible pipes:— Adaptor, special .....	3	—		
1433872	BESTOBELL BAS243/C2	Clip .....	20	—		

SERVICES  
AIR CONDITIONING

Ref. No.	Part No.	Description	No. off	Mati. Spec.	Cl. of St.	Plate and Illust'n No.
					M.R.	
		1 2 3 4				
		Summary of materials for flexible pipes (Cont'd)				
1433871	6T7571	Ferrule .....	14	—	C	
1433873	46T7571	Ferrule .....	3	—	C	
	117SS6065	Label .....	3	—		
1433869	BRIFLEX LTD. NF30	Nylon tubing .....	—	—	C	
	AGS2111	Sleeve, outer .....	14	—		
	AGS904/4	Sleeve, outer .....	3	—		
	DAMIC DC22	Valve, charging .....	1	—		
	DUNLOP					
27VA/4626238	ACM21228	Valve, non-return .....	3	—	C	
27VA/4619829	ACO1564	Valve, pressure maintaining .....	1	—	C	
27VA/1502686	ACM25138	Valve, pressure reducing .....	1	—	C	
		DUCTING, COOLING, IN RADOME (55Z7981)				
		Spares for:—				
20240	17Z7981	Bracket, attachment .....	1	—	C	QA3/244
20241	18Z7981	Bracket, attachment .....	1	—	C	QA3/245
20242	36Z7981	Bracket .....	1	—	C	QA3/246
20243	37Z7981	Bracket .....	1	—	C	QA3/247
	49Z7981	Bracket, channel .....	1	—	MR	QA3/248
	64Z7981	Bracket, attachment .....	1	—	MR	QA3/249
20244	72Z7981	BRACKET, GROUP .....	1	—	B	QA3/250
	73Z7981	BRACKET, GROUP .....	1	—		QA3/251
	20Z7981	Clip, half, for 3-1/8" o/d duct .....	3	L72	MR	QA3/252
	21Z7981	Clip, half, for 3-1/8" o/d duct .....	3	L72	MR	QA3/253
2507	22Z7981	Clip, half, for 2.38" o/d duct .....	2	L72	C	QA3/254
2508	23Z7981	Clip, half, for 2.38" o/d duct .....	2	L72	C	QA3/255
	67Z7981	Clip, half, for 2.38" o/d duct .....	1	—	MR	QA3/256
	18SS3859	Clip, "P", for pipes .....	1	—	MR	QA3/257
	15SS3863	Clip, "P", for pipes .....	1	—	MR	QA3/258
	13SS2863	Clip, "P", for pipes .....	2	—		QA3/259
26FP/15120	6SS3863	Clip, "P", for pipes .....	1	—	C	QA3/260
26TA/13826	6SS3264	Clip, "P", for pipes .....	2	—	C	QA3/261
	35SS3859	Clip, pipe .....	2	—	MR	QA3/262
	BG6/SS4234	Clip, half, for 2.38" o/d duct .....	1	—	MR	QA3/263
13094	AY6/SS4234	Clip, half, for 2.0" o/d duct .....	2	—	C	QA3/264
20245	173/SS4095	Clip, half, for 1.5" o/d duct .....	2	—	C	QA3/265
	AS5/SS4234	Clip, half, for 1.5" o/d duct .....	2	—	MR	QA3/266
2184	3Z7634	CLIP, JOINT, FOR 3-1/2" DIA. DUCT, ..... GROUP	1	—	C	QA3/267
2186	5Z7634	CLIP, JOINT, FOR 4-3/4" DIA. DUCT ..... GROUP	1	—	C	QA3/268

SERVICES  
AIR CONDITIONING

Ref. No.	Part No.	Description	No. off	Matl. Spec.	Cl. of St.	Plate and Illust'n No.
					M.R.	
		1 2 3 4				
		DUCT, COOLING IN RADOME (85Z7981) (Cont'd)				
	6Z7634	CLIP, JOINT, FOR 5" DIA. DUCT, ..... GROUP	1	—	MR	QA3/269
	11Z7634	CLIP, JOINT, FOR 3-1/8" DIA. DUCT, ..... GROUP	1	—	MR	QA3/270
	12Z7634	CLIP, JOINT, FOR 2.38" DIA. DUCT, ..... GROUP	1	—	MR	QA3/271
28E/9429463	AGS605/0	Clip, hose, type "J" .....	2	—	C	QA3/272
28E/9128961	AGS605/1	Clip, hose, type "J" .....	3	—	C	QA3/273
28E/9129092	AGS605/2	Clip, hose, type "J" .....	1	—	C	QA3/274
4813	3Z7981	Duct, feed, between bulkhead .....	1	L59	C	QA3/275
4815	7Z7981	Duct, feed, from cooling duct to receiver .... (Mod. 1365)	1	L54 & L59	C	QA3/276
11821	77Z7981	Duct, feed (Mod. 1365) .....	1	—	C	QA3/277
	52Z7981	Duct, feed, between formers 400-414 .....	1	L54 & L59	MR	QA3/278
	56Z7981	Duct, feed, through former 442 .....	1	L54 & L59	MR	QA3/279
5968	57Z7981	Duct, feed, joint, starboard .....	1	L54 & L59	C	QA3/280
	58Z7981	Duct, feed, forward of former 442 .....	1	L59	MR	QA3/281
	59Z7981	Duct, feed, between formers 414-428 .....	1	L59	MR	QA3/282
	60Z7981	Duct, feed, between formers 400-414 .....	1	L54 & L59	MR	QA3/283
	61Z7981	Duct, feed, between formers 400-414 .....	1	L54 & L59	MR	QA3/284
8521	69Z7981	Duct, feed, between formers 414-428 .....	1	L54 & L59	C	QA3/285
8522	70Z7981	Duct, feed, joint .....	1	L54	C	QA3/286
8523	71Z7981	Duct, feed, flanged, at transformer .....	1	L54 & L59	C	QA3/287
	44Z7981	Pipe, cooling, between formers 414-428, port .	1	L54 & L59	MR	QA3/288
	31Z7981	Sleeve, rubber, 2" o/d .....	—	DTD552	MR	QA3/289
	33Z7981	Sleeve, rubber, 1-3/8" o/d .....	—	DTD552	MR	QA3/290
	35Z7981	Sleeve, rubber, 7/8" o/d .....	—	DTD552	MR	QA3/291
	62Z7981	STRUT, SUPPORT, GROUP .....	2	—	MR	QA3/292
5974	63Z7981	STRUT, CURVED, FOR DUCT, GROUP ....	1	—	C	QA3/293
	47Z7981	STRUT, SUPPORT, FOR DUCT, GROUP ...	1	—	MR	QA3/294
	68Z7981	STRUT, SUPPORT, FOR DUCT, GROUP ...	1	—	MR	QA3/295
11135	26Z7981	STRUT, SUPPORT, GROUP .....	1	—	C	QA3/296
		HEATING INSTALLATION IN BOMB BAY (104Z7723) (Mod. 748)				
		Spares for:—				
	92Z7723	Bush, 1/2" dia. x .75" long .....	4	—		QA8/297
	3Z7723	Cap, blanking, for branch duct, bomb arch ... 21.717A	1	L59	MR	QA7/298

SERVICES  
AIR CONDITIONING

Ref. No.	Part No.	Description	No. off	Matl. Spec.	Cl. of St.	Plate and Illust'n No.
					M.R.	
		HEATING INSTALLATION IN BOMB BAY (104Z7723) (Cont'd)				
	KING A/C Co. C4370/6A 3Z7648	Clamp, cold air valve .....	1	—	MR	QA8/299
		Clamp, half, 2.45" i/d (supplied in 2 halves wired together)	5	DTD371	MR	QA8/300
	34Z7723	Clip, duct, 2" dia. ....	21	L72	MR	QA7/301
5735	45aZ7723	Clip, half, 3" dia., used with 46aZ7723 for ducting at bomb arch 27.717A	1	L72	C	QA7/302
	46aZ7723	Clip, half, 3" dia., used with 45aZ7723 for ducting at bomb arch 27.717A	1	L72	C	QA7/303
	45bZ7723	Clip, half, 4.8" dia., used with 46bZ7723 for ductings at bomb arch 81.707A	1	L72	MR	QA7/304
5737	45cZ7723	Clip, half, 6" dia., used with 46cZ7723 for ductings at bomb arch 201.367A	1	L72	C	QA7/305
	46bZ7723	Clip, half, 4.8" dia., used with 45bZ7723 for ducting at bomb arch 81.707A	1	L72		QA7/306
21747	46cZ7723	Clip, half, 6" dia., used with 45cZ7723 for ductings at bomb arch 201.367A	1	L72	C	QA7/307
21749	46dZ7723	Clip, half, 2" dia., used with bracket 65Z7723 at bomb arch 259.092A	1	L72	C	QA7/308
5738	47aZ7723	Clip, half, 2" dia., attachments to brackets, bomb arch, stations 21.717A, 300.904A and 321.936A	4	L72	C	QA7/309
	16SS4234	Clip, half, attachment to bracket at bomb arch 300.904A	1	—		QA7/310
	5SS4234	Clip, half, attachment to bracket at bomb arch 300.904A	1	—		QA7/310a
21745	52gZ7723	Clip, half, 4" dia., used with 53gZ7723 for ductings at bomb arch, stations 44.592A and 64.592A	2	L72	C	QA7/311
21746	53gZ7723	Clip, half, 4" dia., used with 52gZ7723, for ductings at bomb arch stations 44.592A and 64.592A	2	L72	C	QA7/312
	52cZ7723	Clip, half, 4.8" dia., used with 53cZ7723 at bomb arch stations 279.092A	1	L72		QA7/313
	53cZ7723	Clip, half, 4.8" dia., used with 52cZ7723 at bomb arch station 279.092A	1	L72		QA7/314
5740	52dZ7723	Clip, half, 5.8" dia., used with 53dZ7723 at bomb arch stations 259.092A, 108.687A, 95.967A, 225.227 and 243.127A	5	L72	C	QA7/315
5741	53dZ7723	Clip, half, 5.8" dia., used with 52dZ7723 at bomb arch stations 259.092A, 108.687A, 95.967a, 225.227 and 243.127A	5	L72	C	QA7/316
	52eZ7723	Clip, half, 6" dia., used with 53eZ7723 for ducting at bomb arch, stations 123.015A, 171.842A, 151.919A and 182.967A	5	L72	MR	QA7/317

SERVICES  
AIR CONDITIONING

Ref. No.	Part No.	Description	No. off	Mati. Spec.	Cl. of St.	Plate and Illust'n No.
					M.R.	
		1 2 3 4				
		HEATING INSTALLATION IN BOMB BAY (104Z7723) (Cont'd.)				
	53eZ7723	Clip, half, 6" dia., used with 52eZ7723 for ..... ducting at bomb arch, stations 123.015A, 171.842A, 151.919A and 182.967A	5	—	MR	QA7/318
21748	56Z7723	Clip .....	1	DTD610A		QA7/319
	2Z7634	Clip, duct, joint, for 3" dia. duct .....	1	L72	MR	QA7/320
	4Z7634	Clip, duct, joint, for 4" dia. duct .....	3	L72	MR	QA7/321
2186	5Z7634	Clip, duct, joint, for 4.8" dia. duct .....	3	L72	C	QA7/322
2188	7Z7634	Clip, duct, joint, for 5.8" dia. duct .....	4	L72	C	QA7/323
	8Z7634	Clip, duct, joint, for 6.0" dia. duct .....	3	—	MR	QA7/324
	9Z7634	Clip, duct, joint, for 8" dia. duct .....	1	L72	MR	QA7/325
26FP/1685	ISS3406	Clip, special, 5/16" dia., for capillary tube .....	3	—	C	QA8/326
5CW/5237	TEDDINGTON FDF/A/3010	Control, inching .....	1	—	A	QA8/327
	13Z7723	DIFFUSER, C/W ADAPTOR FROM JOINT AT JUNCTION DUCT TO JOINT AT INJECTOR BARREL, 24" LONG APPROX., GROUP (Pre-Mod. 2127)	1	—	MR	
1433105	139Z7723	DIFFUSER, C/W ADAPTOR FROM JOINT AT JUNCTION DUCT TO JOINT AT INJECTOR BARREL, 24" LONG APPROX., GROUP (Mod. 2127)	1	—	C	QA8/328
13762	121Z7723	DUCT, FEED, C/W DIFFUSER FROM BRANCH DUCT AT BOMB ARCH, 21.717A, 24G x 2" o/d x 12" LONG APPROX., GROUP (Mod. 360)	1	—	C	QA7/329
21751	120Z7723	Duct, branch between bomb arch, stations 21.717A" and 44.529A", 22G, x 16" long, approx.	1	L54 & L59	C	QA7/330
5747	5Z7723	Duct, trunk, from joint at branch duct, between bomb arch, stations P.I.717A and 44.592A", 22G x 18" long approx.	1	L59	C	QA7/331
5748	6Z7723	Duct, trunk, from joint at bomb arch, station 44.592A to joint branch at duct between bomb arch, stations 64.592A and 81.707A", 22G x 4" o/d x 24" long, approx.	1	L59	C	QA7/332
5749	7Z7723	Duct, branch, between bomb arch, stations 64.592A" & 81.707A, 22G x 16" long	1	L54 & L59	C	QA7/333
5763	22Z7723	Duct, feed, from joint branch duct between bomb arch stations 64.592A and 81.707A", 22G x 2" o/d x 24" long	1	L54	C	QA7/334
5764	23Z7723	Duct, feed, from joint at branch duct, between bomb arch stations 64.592A" & 81.707A", 24G x 2" o/d x 5' 0" long approx.	1	L54	C	QA7/335

SERVICES  
AIR CONDITIONING

Ref. No.	Part No.	Description	No. off	Matl. Spec.	Cl. of St.	Plate and Illust'n No.	
					M.R.		
		1 2 3 4					
		<b>HEATING INSTALLATION IN BOMB BAY (104Z7723) (Cont'd.)</b>					
5750	8Z7723	Duct, branch, between bomb arch stations ..... 81.707A" & 95.967A"	1	L54 & L59	C	QA7/336	
5765	24Z7723	Duct, feed, from joint at branch duct, ..... between bomb arch stations 81.707A" & 95.967A", 24G x 2" o/d x 24" long approx.	1	L54	C	QA7/337	
5766	25Z7723	Duct, feed, from joint at branch duct, ..... between bomb arch stations 81.707A" & 95.967A", 24G x 2" o/d x 5' 0" long approx.	1	L54	C	QA7/338	
5751	9Z7723	Duct, trunk, between bomb arch stations ..... 95.967A" & 108.687A", 22G x 5/8" o/d x 16" long approx.	1	L59	C	QA7/339	
5752	10Z7723	Duct, branch, between bomb arch stations ..... 108.687A" & 123.015A	1	L54 & L59	C	QA7/340	
5753	11Z7723	Duct, trunk, between bomb arch stations ..... 123.015A" & 151.919A", 22G x 6" o/d x 3' 0" long approx.	1	L59	C	QA7/341	
5754	12Z7723	Duct, junction, between bomb arch stations ... 151.919A" & 171.842A" (Pre-Mod. 748)	1	L54 & L59	C		
14223	107Z7723	Duct, junction, between bomb arch stations ... 151.919A" & 171.842A" (Mod. 748)	1	L54 & L59	C	QA7/342	
	28Z7723	Duct, feed, from joint at junction duct, ..... between bomb arch stations 151.919A" & 171.842A", 24G x 2" o/d x 2' 0" long approx.	1	L54	MR	QA7/343	
	29Z7723	Duct, feed, from joint at junction duct, ..... between bomb arch stations 151.919A" & 171.842A", 24G x 2" o/d x 2' 0" long approx.	1	L59	MR	QA7/344	
	14Z7723	DUCT, TRUNK, C/W DIFFUSER, FROM ..... JOINT AT JUNCTION DUCT TO JOINT, FORWARD BOMB ARCH 201.367A", GROUP	1	—	MR	QA7/345	
	15Z7723	DUCT, TRUNK, C/W DIFFUSER, FROM ..... JOINT, FORWARD BOMB ARCH 201.367A" TO JOINT, FORWARD 225.227A", GROUP	1	—	MR	QA7/346	
5756	27Z7723	Spares for:— DEFLECTOR, GROUP .....	1	—	C		
	16Z7723	Duct, trunk, between bomb arch stations ..... 225.227A" & 259.029A", 22G x 5.8" o/d x 3' 0" long approx.	1	L59	MR	QA7/347	
5759	17Z7723	Duct, branch, from joint, forward bomb arch 259.092A" to joint, forward bomb arch 279.092A", 22G x 18" long approx.	1	L54 & L59	C	QA7/348	

SERVICES  
AIR CONDITIONING

Ref. No.	Part No.	Description	No. off	Matl. Spec.	Cl. of St.	Plate and Illust'n No.
					M.R.	
		1 2 3 4				
		HEATING INSTALLATION IN BOMB BAY (104Z7723) (Cont'd)				
5760	18Z7723	Duct, trunk, from joint at branch duct forward bomb arch 279.092A" to joint at branch duct aft of bomb arch 279.092", 22G x 4.8" o/d x 2' 0" long approx.	1	—	C	QA7/349
17438	134Z7723	DUCT FEED BETWEEN BOMB ARCHES ... 278.092A" AND 321.936A", GROUP (Mod. 1464)	1	—	C	QA7/350
	26Z7723	Duct, feed, from joint at branch duct between bomb arch, stations 108.687A" & 123.015A", 22G x 2" o/d x 2' 0" long approx.	1	L54	MR	QA7/351
	27Z7723	Duct, feed, from joint at branch duct between bomb arch, stations 108.687A" & 123.015A, 24G x 2" o/d x 5' 0" long approx.	1	L54	MR	QA7/352
5771	30Z7723	Duct, feed, from joint at branch duct bomb arch 259.092A", 24G x 2" o/d x 4' 6" long approx.	1	L54	C	QA7/353
	70Z7723	DUCT, FEED, FROM HOT AIR VALVE .... TO JOINT FORWARD BOMB ARCH 225.227A", GROUP	1	—	MR	QA8/354
	98Z7723	DUCT, FEED, FROM JOINT FORWARD ... BOMB ARCH 225.227A" TO JUNCTION DUCT, AFT BOMB ARCH 182.967A", GROUP	1	—	MR	QA8/355
	79Z7723	DUCT, FEED, FROM INJECTOR ..... NOZZLE TO HOT AIR VALVE, GROUP	1	—	MR	QA8/356
		INJECTOR INSTALLATION BETWEEN .... ARCH STATIONS 182.967A" AND 225.227A" (133Z7723) (Mod. 748) Spares for:—				
5777	77Z7723	BARREL, INJECTOR, GROUP .....	1	—	C	QA8/357
21753	93Z7723	Bolt, attachment, injector body .....	4	—	C	QA8/358
	19Z7648	Clamp, half, for duct (supplied in 2 halves .. and wired together)	1 pair	—	MR	QA8/359
	91Z7723	NOZZLE AND INJECTOR GROUP .....	1	—		QA8/360
		Spares for:—				
5778	1Z7691	Body, injector .....	1	—	C	
5779	1Z7715	NOZZLE GROUP .....	1	—	C	

VULCAN Mk. 2

SERVICES  
AIR CONDITIONING

Page QA. 21

Ref. No.	Part No.	Description	No. off	Mati. Spec.	Cl. of St.	Plate and Illust'n No.
					M.R.	
		1 2 3 4				
		NOZZLE AND INJECTOR GROUP (91Z7723) (Cont'd)				
	14Z7588	Ring, sealing, 1/32" thick x 3.20" dia. . .	1	DTD378A	MR	
2045	AS5413	Ring, sealing, cold air valve . . . . .	1	—	C	QA8/361
	78Z7723	Ring, sealing, injector barrel, 1/32" thick x 7.9" dia.	1	—	MR	QA8/362
10183	1Z10403	VALVE, COLD AIR, GROUP (Mod. 1136) Spares for:—	1	—	A	QA8/363
	ROTAX LTD.					
5W/4511921	C5520	Actuator Rotary (with splined coupling)	1	—	A	QA8/364
28F/8011809	AGS1104/B	Adaptor, cone . . . . .	1	—	C	QA8/365
11845	2Z10403	BODY, COLD AIR VALVE, GROUP . . . . . Spares for:—		—	B	QA8/366
	GLACIER METAL					
14598	08-DU-06	Bearing, self lubricating . . . . .	1	—	C	
	08-DU-10	Bearing, self lubricating . . . . .	1	—	MR	
	3Z10403	Liner . . . . .	1	—	MR	
	4Z10403	Liner . . . . .	1	—	MR	
	12Z7564	Bolt, 2 BA, for actuator mounting . . . . . (Make from A25/1C)	3	—	MR	QA8/367
28F/11018	AGS1159/B	Cap, cone . . . . .	1	—	C	QA8/368
	9Z10403	Collar . . . . .	1	MS	MR	QA8/369
	10Z10403	LEVER, FOR VALVE PLATE, GROUP	1	—	MR	QA8/370
	2141SS6005	Label . . . . .	1	L59		QA8/371
5789	9Z7740	Mounting, actuator . . . . .	1	—	C	QA8/372
11797	8Z10403	Plate, valve . . . . .	1	—	C	QA8/373
28P/1206938	SP28/G6	Pin, taper . . . . .	3	—	C	QA8/374
28P/9527619	SP90/C7	Pin, spar (SP9/C8) . . . . .	1	—	C	QA8/375
	6Z10403	Shaft . . . . .	1	—	MR	QA8/376
	11Z10403	Spacer . . . . .	2	S514		QA8/377
28F/8011819	AGS904/B	Sleeve, outer . . . . .	1	—	C	QA8/378
28F/9428953	AGS1186/B	Washer, 1/4" BSP . . . . .	1	—	C	QA8/379
28W/9419475	SP15/C	Washer . . . . .	2	—	C	
28W/9419454	SP10/C	Washer . . . . .	1	—	C	
28W/9419456	SP10/J	Washer, retaining . . . . .	1	—	C	
21755	10Z7564	Washer, eccentric . . . . .	1	—	C	QA7/380
	5Z7564	Lever, inching . . . . .	1	S3	MR	QA8/381
	6Z7564	Link, fork . . . . .	1	—	MR	QA8/382

SERVICES  
AIR CONDITIONING

Ref. No.	Part No.	Description	No. off	Matl. Spec.	Cl. of St.	Plate and Illust'n No.
					M.R.	
		1 2 3 4				
HEATING INSTALLATION IN BOMB BAY (104Z7723) (Cont'd)						
MOUNTING OF SENSING ELEMENT (1Z7880)						
Spares for:—						
5793	3Z7880	Bracket, mounting, for sensing elements, at bomb arch stations 44.592A", 108.687A" and 201.367	2	L72	C	QA7/383
5794	4Z7880	Bracket, mounting, for sensing element at bomb arch 279.092A"	1	L72	C	QA7/384
TEDDINGTON						
5CZ/5672	FHJ/A/2	Element, sensing	4	—	A	QA7/385
5795	6Z7880	Insulation, fibre glass sheet, .010" thick x 2" x 2", alkali-free, CF/E gloss	4	—	C	QA7/386
MOUNTING OF TEMPERATURE BULBS (2Z7702)						
Spares for:—						
SANGAMO						
WESTON						
6A/4333685	S110G/4/203	Bulb, temperature	9	—	B	QA7/387
28D/1011021	A25/16C	Bolt	12	—	C	QA7/388
28D/1214311	A25/17C	Bolt	4	—	C	QA7/389
28M/10288	AGS2001/C1	Nut, stiff	16	—	C	
5796	4Z7702	MOUNTING, TEMPERATURE BULB, . . . . GROUP	8	—	B	QA7/390
	6Z7702	Tube, distance, 5/16" o/d x 17G x 1-1/2" long	15	T35		QA7/391
	8Z7702	Tube, distance, 5/16" o/d x 17G x 1.39" long	1	—		QA7/392
28W/9419475	SP15/C	Washer	14	—	C	
28W/9419454	SP10/C	Washer	2	—	C	
TEDDINGTON						
2045	AS4503	Ring, sealing, 2.15" i/d	5	—		QA8/393
	AS5413	Ring, sealing, 6.10" i/d	1	—	C	QA8/394
5CW/5109	FHO/A/97	Switch, overheat	1	—	A	QA8/395
	89Z7723	VALVE, HOT AIR, GROUP (Pre-Mod. 748)	1	—		
	105Z7723	VALVE, HOT AIR, GROUP (Mod. 748)	1	—		QA8/396
	Spares for:—					
	85Z7723	LEVER, TOP, FOR CONNECTING ROD, GROUP	1	—	MR	QA8/397
	Spares for:—					
	10Z7032	Bolt, special, 1/2" dia. x 1" long	1	S1	MR	
	1SS4084	Bush, 5/16" dia. x 1/8" long	1	S96	MR	
4958	18Z7588	LEVER, BOTTOM, FOR CONNECTING ROD, GROUP	1	—	B	QA8/398
	Spares for:—					
	10Z7032	Bolt, special, 1/2" dia. x 1" long	1	S1	MR	
	1SS4084	Bush, 5/16" dia. x 1/8" long	1	S96	MR	

SERVICES  
AIR CONDITIONING

Ref. No.	Part No.	Description	No. off	Mati. Spec.	Cl. of	Plate and Illust'n No.
					St. M.R.	
		1 2 3 4				
		VALVE, HOT AIR, GROUP (105Z7723) (Cont'd)				
1422	85F8553	PLUNGER, AT MICRO SWITCH, GROUP . Spares for:—	1	—	B	QA8/399
	86F8553	Guide, plunger .....	1	—		
28P/9429654	SP28/E4	Pin, taper .....	1	—	C	
2467	87F8553	Plunger .....	1	S14	C	
2164	41Z7144	Spring .....	1	—	C	
2163	40Z7144	Stop .....	1	S1	C	
	TEDDINGTON FLJ/A/4	Resistor, follow-up .....	1	—	A	QA8/400
5CZ/4706917						
17060	94Z7588	ROD, CONNECTING, GROUP .....	1	—	B	QA8/401
		(Mod. 1412) Spares for:—				
	1SS4178	Fork-end, L.H. ....	1	S11	MR	
	2SS4178	Fork-end, R.H. ....	1	S11	MR	
28L/13246	A27/CT/L	Nut, 2 BA, L.H. ....	1	—	C	
28L/13124	A27/C/T	Nut, 2 BA, R.H. ....	1	—	C	
12274	94aZ7588	Rod, screwed, adjusting .....	1	S1	C	
5CW/9438275	—	Switch, micro .....	1	—	A	QA8/402
	TEDDINGTON FMP/A/5129	VALVE, hot air, 2" dia. (Mod. 1412) .....	1	—		QA8/403
		Consisting of:—				
5W/383	—	Actuator .....	1	—	A	
27V/6411	—	Valve .....	1	—	A	
		INSTALLATION OF PRESSURIZATION PANEL AND PIPING (X BAND EQPT.) (Q3774) (Mod. 2024) Spares for:—				
	PLESSEY	Cap, protective .....	1	—		
	508/1/04868/100	Cap, protective .....	1	—		
	508/1/04865/100	Cylinder, nitrogen .....	1	—	A	
6D/9429890	—					
	40Q3771	PANEL, PRESSURIZATION FOR X-BAND . . (Mod. 2193) Spares for:—	1	—		
	3Q3771	Block, connector .....	1	—		
	20Q3771	Block, connector .....	1	—		
	22T5510	Connector .....	1	—		
	37T5510	Connector .....	1	—		
5895-99-	—	Coupler, directional R.F. power .....	1	—	C	
9455359	—	Gauge, pressure .....	1	—	C	
6A/1051033	—	Gauge, pressure .....	1	—	C	
6A/39521	—					



SERVICES  
AIR CONDITIONING

Ref. No.	Part No.	Description	No. off	Matl. Spec.	Cl. of St.	Plate and Illust'n No.
					M.R.	
		1 2 3 4				
		INSTALLATION OF PRESSURIZATION PANEL AND PIPING (Q3774) (Cont'd)				
	9Q3774	PANEL, TEST, GROUP .....	1	—		
	2Q3885	PIPE, GROUP (Mod. 2304, Part "A") .....	1	DTD5016		
	13Q3773	PIPE, GROUP .....	1	L56		
	14Q3773	PIPE, GROUP .....	1	L56		
	12Q3774	PIPE, GROUP (Mod. 2184) .....	1	—		
1432806	DUNLOP 2/N14/401/8/ 8/11.0	PIPE, FLEXIBLE, GROUP .....	1	—		
		PIPING FOR PRESSURE CONTROL IN NOSE (2Z7741)				
		Spares for:—				
	50Z7741	Bracket (Supplied with metal nose structure .. Dwg. Mod. 9502)	2	L72		QA4/404
	51Z7741	Bracket (Supplied with metal nose structure .. Dwg. Mod. 9502)	1	L72		QA4/405
	53Z7741	Bracket (Supplied with metal nose structure .. Dwg. Mod. 9502)	4	L72		QA4/406
	66Z7741	Bracket (Supplied with metal nose structure .. Dwg. Mod. 9502)	3	L72		QA4/407
9007	3SS3859	Clip, bonded, for pipes .....	4	—	C	QA4/408
	25Z3224	FAIRLEAD, PIPE, GROUP .....	12	—	MR	QA4/409
20209	105Z7741	PIPE, FORWARD FORMER 484", 5/16" .... o/d x 20G, PORT, GROUP	1	L54 & L59	C	QA4/410
	106Z7741	PIPE, FORWARD FORMER 484", 5/16" .... o/d x 20G, STARBOARD, GROUP	1	L54 & L59	MR	QA4/411
20211	111Z7741	PIPE, FROM UNION TO TEE-PIECE, TOP, .. FORWARD FORMER 484", 5/16" o/d x 22G x 16" LONG APPROX., PORT, GROUP	1	L56		QA4/412
20214	112Z7741	PIPE, FROM UNION TO TEE-PIECE, .....	1	L56	C	QA4/413
		BOTTOM, FORWARD FORMER 484", 5/16" o/d x 22G x 16" LONG APPROX., PORT, GROUP				
	110Z7741	PIPE, FROM UNION TO TEE-PIECE, .....	1	L56	MR	QA4/414
		BOTTOM, FORWARD FORMER 484", 5/16" o/d x 22G, STARBOARD, GROUP				
20212	108Z7741	PIPE, FROM UNION TO TEE-PIECE, TOP, .. FORWARD FORMER 484", 5/16" o/d x 22G, STARBOARD, GROUP	1	L56	C	QA4/415

SERVICES  
AIR CONDITIONING

Ref. No.	Part No.	Description	No. off	Mati. Spec.	Cl. of	Plate and Illust'n No.
					St. M.R.	
		1 2 3 4				
PIPING FOR PRESSURE CONTROL IN NOSE (227741) (Cont'd)						
20205	97Z7741	PIPE, FROM UNION, FORWARD OF ..... BULKHEAD, 442" TO CONE TEE FORMER 484" TOP, 5/16" o/d x 22G, GROUP (Mod. 549)	1	—	C	QA4/416
20206	98Z7741	PIPE, FROM UNION, FORWARD OF ..... BULKHEAD 442" TO CONE TEE FORMER 484" BOTTOM, 5/16" o/d x 22G, GROUP (Mod. 549)	1	—	C	QA4/417
20207	99Z7741	PIPE, FROM UNION, FORWARD OF . . . . . BULKHEAD 442" TO UNION, FORWARD OF FORMER 386", TOP, 5/16" o/d x 22G, GROUP (Mod. 549)	1	—	C	QA4/418
	100Z7741	PIPE, FROM UNION, FORWARD OF ..... BULKHEAD 442" TO UNION, FORWARD OF FORMER 386", BOTTOM, 5/16" o/d x 22G, GROUP (Mod. 549)	1	—		QA4/419
20203	101Z7741	PIPE, FROM UNION, FORWARD OF ..... FORMER 368", FORWARD, 5/16" o/d x 22G, GROUP (Mod. 549)	1	—	C	QA4/420
20204	102Z7741	PIPE, FROM UNION, FORWARD OF ..... FORMER 368", AND ALONG FORMER FORMER 368", AFT, 5/16" o/d x 22G, GROUP	1	—	C	QA4/421
PRESSURISATION AND ANTI-ICING IN FUSELAGE CENTRE PORTION (1Z9446)						
21888	29Z7620	Angle, attachment .....	1	—	C	QA11/422
	30Z7620	Angle, attachment .....	1	—		QA11/423
	31Z7620	Angle, attachment .....	1	—		QA11/424
	32Z7620	Angle, attachment .....	1	—		QA11/425
	33Z7620	Angle, attachment .....	1	—		QA11/426
	34Z7620	Angle, attachment .....	1	—		QA11/427
	35Z7620	Angle, attachment .....	1	—		QA11/428
	36Z7620	Angle, attachment .....	1	—		QA11/429
21889	47Z7620	Angle, attachment .....	1	—	C	QA11/430
21890	48Z7620	Angle, attachment .....	1	—	C	QA11/431
21891	49Z7620	Angle, attachment .....	1	—	C	QA11/432
	50Z7620	Angle, attachment .....	1	—		QA11/433
21892	51Z7620	Angle, attachment .....	1	—	C	QA11/434
	52Z7620	Angle, attachment .....	1	—		QA11/435
21893	53Z7620	Angle, attachment .....	1	—	C	QA11/436
	54Z7620	Angle, attachment .....	1	—		QA9/437
21917	24Z9446	Angle, suspension .....	1	—	C	QA9/438

VULCAN Mk. 2

SERVICES  
AIR CONDITIONING

Page QA. 27

Ref. No.	Part No.	Description	No. off	Matl. Spec.	Cl. of St.	Plate and Illust'n No.
					M.R.	
		1 2 3 4				
PRESSURISATION AND ANTI-ICING IN FUSELAGE CENTRE PORTION (1Z9446) (Cont'd)						
21918	25Z9446	Angle, suspension .....	1	—	C	QA9/439
21919	46Z9446	Angle, suspension .....	1	—	C	QA9/440
21920	47Z9446	Angle, suspension .....	1	—	C	QA9/441
21921	55Z9446	Angle, suspension .....	1	—	C	QA9/442
21922	56Z9446	Angle, suspension .....	1	—	C	QA9/443
21923	57Z9446	Angle, suspension .....	1	—	C	QA9/444
	10Z7467	Angle .....	3	—		QA12/445
	13Z7467	Angle (L.H.) .....	2	—		QA12/446
	14Z7467	Angle (R.H.) .....	2	—		QA12/447
	64Z9620	BRACKET, SUSPENSION, GROUP .....	2	—		QA17/449
21900	26Z9523	Bracket, suspension .....	2	—	C	QA11/450
	74Z9446	Bracket, suspension .....	1	—		QA11/451
	75Z9446	Bracket, suspension .....	1	—		QA11/452
21094	78Z9446	Bracket, suspension .....	1	—	C	QA11/453
	79Z9446	Bracket, suspension .....	1	—		QA11/454
21913	39Z9446	Bracket, suspension .....	1	—	C	QA10/455
21914	40Z9446	Bracket, suspension .....	1	—	C	QA10/456
21915	41Z9446	Bracket, suspension .....	1	—	C	QA10/457
21916	42Z9446	Bracket, suspension .....	1	—	C	QA10/458
21932	65Z9446	Bracket, suspension .....	1	—	C	QA10/459
21933	66Z9446	Bracket, suspension .....	1	—	C	QA10/460
21930	63Z9446	Bracket, attachment .....	1	—	C	QA13/461
21931	64Z9446	Bracket, attachment .....	1	—	C	QA13/462
	72Z9446	Bracket, support .....	4	—		QA13/463
21903	76Z9446	Bracket, suspension .....	1	—	C	QA11/464
	77Z9446	Bracket, suspension .....	1	—		QA11/465
	73Z9446	Bracket, suspension .....	1	—		QA11/466
	80Z9446	Bracket, suspension .....	1	—		QA11/467
21906	3Z9523	Bracket, suspension .....	1	—	C	QA11/468
21905	5Z9523	Bracket, suspension .....	1	—	C	QA11/469
21907	101Z9446	Bracket, suspension .....	1	—	C	QA11/470
21908	102Z9446	Bracket, suspension .....	1	—	C	QA11/471
	50Z9446	Block, suspension .....	1	—		QA9/472
	51Z9446	Block, suspension .....	1	—		QA9/473
	72Z6632	Bush, for clamp at suspension joint, rib .....	1	—	MR	QA11/474
		113.3				
	7Z7441	Bush, for clamp, at extension unit nose wheel bay	4	DTD364B	MR	QA17/475
	9Z7467	Bush, for clamp, at suspension brackets ...	40	DTD464B	MR	QA12/476
21901	27Z9523	Bush, for clamp, at suspension joint, rib ...	1	L65	C	QA11/477
		113.3				
	74Z7620	Bush, for clamp, at extension units between stringers 21-22 and 22-23	8	L65	MR	QA13/478
	178Z9446	Cap, blanking .....	2	—	MR	QA13/478a
21911	18Z9446	Channel, suspension, L.H. ....	2	—	C	QA10/479
21912	19Z9446	Channel, suspension, R.H. ....	2	—	C	QA10/480
	2Z9446	Channel, upper, port .....	1	—		QA12/481
21894	3Z9446	Channel, upper, starboard .....	1	—	C	QA12/482
21895	4Z9446	Channel, lower, port .....	1	—	C	QA12/483
21896	5Z9446	Channel, lower, starboard .....	1	—	C	QA12/484

SERVICES  
AIR CONDITIONING

Ref. No.	Part No.	Description	No. off	Matl. Spec.	Cl. of St.	Plate and Illust'n No.
					M.R.	
		1 2 3 4				
PRESSURISATION AND ANTI-ICING IN FUSELAGE CENTRE PORTION (1Z9446) (Cont'd)						
21897	6Z9446	Channel, upper .....	1	—	C	QA12/485
21898	7Z9446	Channel, lower .....	2	—	C	QA12/486
	1Z8790	Channel, suspension .....	1	—		QA13/487
	2Z8790	Channel, suspension .....	1	—		QA13/488
	1Z7633	CHANNEL, SUSPENSION, PORT, GROUP ..	1	—		QA12/489
	2Z7633	CHANNEL, SUSPENSION, STARBOARD, ... GROUP	1	—		QA12/490
	70Z9446	CHANNEL, SUPPORT, PORT, GROUP .....	1	—		QA13/491
	71Z9446	CHANNEL, SUPPORT, STARBOARD, ... GROUP	1	—		QA13/492
21941	107Z9446	CHANNEL, SUPPORT, AT TRANSVERSE ... RIB, FORWARD, GROUP (Mod. 514)	1	—	C	QA12/493
21942	108Z9446	CHANNEL, SUPPORT, AT TRANSVERSE ... RIB, UPPER, GROUP (Mod. 514)	1	—	C	QA12/494
	KING A/C C5642/3B	Clamp, "King" Mk. 1X (Pre-Mod. 876) .....	4	—	MR	QA13/495
8945	KING A/C C4205/1-1/2B 7Z7648	Clamp, "King" Mk. 3 (Mod. 1128) .....	2	—	C	QA13/496
		Clamp, half, for 3" dia. duct (Supplied in ... 2 halves, wired together)	14	DTD371	MR	QA9/497
	8Z7648	Clamp, half, for 3" dia. duct (Supplied in ... 2 halves, wired together)	30	DTD371	MR	QA9/498
2051	12Z7648	Clamp, half, for 4" dia. duct (Supplied in ... 2 halves, wired together)	11	—	C	QA9/499
2054	15Z7648	Clamp, half, for 4-1/2" dia. duct (Supplied in ... 2 halves, wired together)	2	—	C	QA12/500
	16Z7648	Clamp, half, for 4-1/2" dia. duct (Supplied in ... 2 halves, wired together)	12	—	MR	QA11/501
	11Z7648	Clamp, half, for 4" dia. duct (Supplied in ... 2 halves, wired together)	1	—	MR	QA9/502
	8Z7634	CLIP, JOINT, DUCT TO INJECTOR, 6" ... DIA., PORT AND STARBOARD, GROUP	1	—	MR	QA16/503
	82Z6632	DUCT, FEED, JOINT TO JOINT, FOR- ... WARD BULKHEAD 75NWB, 3" DIA., PORT, GROUP (Pre-Mod. 360)	1	—		
21881	11Z9446	DUCT, FEED, JOINT TO JOINT, FOR- ... WARD BULKHEAD, 75NWB, 3" DIA., PORT, GROUP (Mod. 360)	1	—	C	QA17/504
1433819	77Z7620	DUCT, FEED, JOINT TO EXPANSION ... UNIT, FORWARD BULKHEAD, 75NWB, 3" DIA., GROUP	1	—	C	QA17/505
	10Z7620	DUCT, FEED, EXPANSION UNIT 3" DIA., ... STARBOARD, GROUP, (Pre-Mod. 360)	1	—		

## POWER INSTALLATION

## ENGINE

Ref. No.	Part No.	Description	No. off	Matl. Spec.	Cl. of St.	Plate and Illust'n No.
					M.R.	
		1 2 3 4				
		PRESSURISATION AND ANTI-ICING IN FUSELAGE CENTRE PORTION (1Z9446) (Cont'd.)				
21884	12Z9446	DUCT, FEED, EXPANSION UNIT, FORWARD BULKHEAD, 75NWB, TO JOINT ON OUTBOARD, 3" DIA., STARBOARD, GROUP (Mod. 360)	1	—	C	QA17/506
21880	10Z9446	DUCT, FEED, JOINT FORWARD BULKHEAD, 75NWB, EXPANSION UNIT, AFT, TRANSVERSE RIB, 3" DIA., GROUP	1	—	C	QA17/507
1510118	76Z7620	DUCT, FEED, BETWEEN EXPANSION UNIT, TRANSVERSE RIB AND DIAPHRAGM 27, 3" DIA., GROUP	1	—	C	QA12/508
	9Z7620	DUCT FEED, 3" DIA., GROUP	1	—		QA12/508A
	75Z7620	DUCT, FEED, FROM EXPANSION UNIT DIAPHRAGM 27 TO JOINT BRANCH DUCT, FORWARD FRONT SPAR, 3" DIA., PORT AND STARBOARD (Pre-Mod. 360)	2	—		
	8Z9446	DUCT, FEED, FROM EXPANSION UNIT, DIAPHRAGM 27 TO JOINT BRANCH DUCT, FORWARD FRONT SPAR, 3" DIA., PORT, GROUP (Mod. 360)	1	—		
21885	9Z9446	DUCT, FEED, FROM EXPANSION UNIT DIAPHRAGM 27 TO JOINT BRANCH DUCT FORWARD FRONT SPAR, 3" DIA., STARBOARD, GROUP (Mod. 360)	1	—	C	QA17/509
1433740	1Z8378	Duct, diffuser to injector, short 6" o/d, starboard	1	L59	C	QA16/510
	2Z8378	Duct, diffuser to injector, short 6" o/d, starboard	1	L59		QA16/511
	3Z8378	Duct, diffuser to injector, long 6" o/d, port (Pre-Mod. 2323)	1	L59		QA16/512
	1Z12496	Duct, diffuser to injector, port (Mod. 2323)	1	—		
	4Z8378	Duct, diffuser to injector, long 6" o/d starboard (Pre-Mod.2323)	1	L59		QA16/513
	2Z12496	Duct, diffuser to injector, starboard (Mod. 2323)	1	—		
12349	5Z7620	DUCT, FEED, FROM JOINT TO DUCT SUSPENSION, BETWEEN STRINGERS 5 AND 6, INBOARD ENGINE BAY 4.4" DIA., GROUP	2	—	C	QA12/514
21886	27Z9446	DUCT, FEED, FROM DUCT SUSPENSION BETWEEN STRINGERS 5 AND 6, TO 4-WAY DUCT PORT, 3-WAY DUCT STARBOARD, INBOARD ENGINE BAY, 4" DIA., GROUP	2	—	C	QA11/516

SERVICES  
AIR CONDITIONING

Ref. No.	Part No.	Description	No. off	Matl. Spec.	Cl. of St.	Plate and Illust'n No.
					M.R.	
		1 2 3 4				
		PRESSURISATION AND ANTI-ICING IN FUSELAGE CENTRE PORTION (129446) (Cont'd.)				
21963	129994	DUCT, 4-WAY INBOARD ENGINE BAY, ..... PORT, GROUP	1	—	C	QA11/517
21925	32Z9446	DUCT, 3-WAY BETWEEN SUSPENSION ..... UNITS, FORWARD INBOARD ENGINE STARBOARD, GROUP	1	—	C	QA9/518
	189Z9446	DUCT, FEED, FROM 4-WAY DUCT TO ..... INBOARD ENGINE 3" DIA., PORT, GROUP (Mod. 1098, Part "C")	1	—	MR	QA11/519
21926	30Z9446	DUCT, FEED, FROM EXPANSION UNIT ..... TO 3-WAY DUCT, FORWARD INBOARD ENGINE 4" DIA., STARBOARD, GROUP	1	—	C	QA9/520
21927	33Z9446	DUCT, 3-WAY, JOINT TO JOINT INBOARD AND OUTBOARD RIB 113.3, FORWARD INBOARD ENGINE STARBOARD, GROUP	1	—	C	QA9/521
11792	190Z9446	DUCT, FEED, FROM 3-WAY DUCT TO ..... INBOARD, ENGINE, 3" DIA., STARBOARD, GROUP (Mod. 1098, Part "B")	1	—	C	QA9/522
1433206	28Z9446	DUCT, FEED, FROM BELLOWS AT ..... 4-WAY DUCT, FORWARD INBOARD ENGINE TO JOINT OUTBOARD RIB 113.3, 3" DIA., PORT, GROUP	1	—	C	QA11/523
	31Z9446	DUCT, 3-WAY BETWEEN JOINT AND ..... EXPANSION UNIT, FORWARD OUTBOARD ENGINE, STARBOARD, GROUP	1	—	MR	QA9/524
11793	191Z9446	DUCT, FEED JOINT, AT RIB 113.3 TO ..... OUTBOARD ENGINE, 3" DIA., PORT, GROUP (Mod. 1098, Part "B")	1	—	C	QA11/525
	15Z9523	DUCT, FEED, FROM EXPANSION UNIT ..... AFT, 3-WAY DUCT STARBOARD TO EXPANSION UNIT, STRINGER 16, GROUP	1	—	MR	QA11/526
	38Z9446	DUCT, FEED, FROM EXPANSION UNIT ..... AFT, 4-WAY DUCT, PORT TO EXPANSION UNIT STRINGER 16, GROUP (Pre-Mod. 906)	1	—		
11768	174Z9446	DUCT, FEED, FROM EXPANSION UNIT, ..... AFT 4-WAY DUCT PORT, TO EXPANSION UNIT STRINGER 16, GROUP (Mod. 906)	1	—	C	QA11/527

SERVICES  
AIR CONDITIONING

Ref. No.	Part No.	Description	No. off	Matl. Spec.	Cl. of	Plate and Illust'n No.
					St. M.R.	
		1 2 3 4				
		PRESSURISATION AND ANTI-ICING IN FUSELAGE CENTRE PORTION (1Z9446) (Cont'd)				
21909	16Z9523	DUCT, FEED, BETWEEN EXPANSION . . . . UNITS, STRINGERS 16 AND 21A, INBOARD ENGINE BAY, 4" DIA., STARBOARD, GROUP	1		C	QA11/528
	15Z9446	DUCT, FEED, BETWEEN EXTENSION . . . . UNITS, STRINGERS 16 AND 21A, INBOARD ENGINE BAY, 4" DIA., PORT, GROUP (Pre-Mod. 906)				
	175Z9446	DUCT, FEED, BETWEEN EXPANSION . . . . UNITS, STRINGERS 16 AND 21A, INBOARD ENGINE BAY, 4" DIA., PORT, GROUP (Mod 906)	1	—	MR	QA11/529
21910	59Z9446	DUCT, FEED, FROM EXPANSION UNIT, . . . STRINGER 21A TO JOINT INBOARD RIB 63.5 REAR ENGINE BULKHEAD, 4" DIA., PORT, GROUP	1	—	C	QA13/530
	60Z9446	DUCT, FEED, FROM EXPANSION UNIT, . . . STRINGER 21A TO JOINT INBOARD RIB 63.5 REAR ENGINE BULKHEAD, 4" DIA., STARBOARD, GROUP	1	—	MR	QA13/531
10603	177Z9446	DUCT, BY PASS BETWEEN BOMB ARCHES 171.842 AND 182.967, 4" AND 3" DIA., GROUP (Mod. 1128)	1	—	C	QA13/532
21935	69Z9446	DUCT, FEED, BETWEEN BUTTERFLY . . . . VALVE AND EXPANSION UNITS, BOMB ARCHES 171.842 AND 182.967, 3" DIA., GROUP	1	—	C	QA13/533
21928	35Z9446	DUCT, FEED, FROM EXPANSION UNIT, . . . 3 WAY DUCT FORWARD OUTBOARD ENGINE TO EXPANSION UNIT, BETWEEN STRINGERS 14 AND 22, 3" DIA., STARBOARD, GROUP	1		C	QA9/534
11790	188Z9446	DUCT, FEED, FROM EXPANSION UNIT, . . . TO OUTBOARD ENGINE, 3" DIA., STARBOARD, GROUP (Mod. 1092, Part "B")	1	—	C	QA9/535
21964	1Z10324	DUCT, FEED, BETWEEN EXPANSION . . . . UNITS, STRINGERS 22A AND 24A OUTBOARD ENGINE BAY 2" DIA., STARBOARD, GROUP	1	—	C	QA10/536

SERVICES  
AIR CONDITIONING

Ref. No.	Part No.	Description	No. off				Mater. Spec.	Cl. of St. M.R.	Plate and Illust'n No.
			1	2	3	4			
		PRESSURISATION AND ANTI-ICING IN FUSELAGE CENTRE PORTION (1Z9446) (Cont'd)							
	37Z9446	DUCT, FEED, FROM EXPANSION STRINGER 24A, OUTBOARD ENGINE BAY, 3" DIA., STARBOARD, GROUP			1		MR	QA10/537	
21882	78Z7620	DUCT, FEED, BETWEEN SUSPENSION UNITS, PORT, GROUP			1		C	QA12/538	
21883	79Z7620	DUCT, FEED, BETWEEN SUSPENSION UNITS, STARBOARD, GROUP			1		C	QA12/538a	
		DUCTING FOR AUXILIARY AIRBORNE POWER PLANT AND GROUND STARTING, PORT (93Z9446)							
	7Z7648	Spares for:- Clamp, half, for 3" dia. duct (Supplied in two halves and wired together)			9 Pairs		MR	QA10/539	
21938	BO5/SS4235	Clip, half, 1/4" BSF			1		C	QA10/540	
21938	BO25/SS4235	Clip, half, 1/4" BSF			1		C	QA10/541	
	51SS4490	Clip			1		MR	QA10/542	
7573	90Z9446	Connection, 3" bore, engine starting			1		C	QA10/543	
7570	82Z9446	DUCT, BRANCH FROM JOINT OUTBOARD RIB 162.5 TO N.R.V. 3" DIA., GROUP			1		C	QA10/544	
7571	89Z9446	DUCT, FEED, FROM N.R.V. TO JOINT AT FLEXIBLE HOSE, 3" DIA., GROUP			1		C	QA10/545	
	85Z9446	DUCT, FEED, FROM JOINT AT DUCT BRANCH, TO AA.PP, GROUP			1			QA10/546	
	81Z9446	Spares for:- DUCT, 3" DIA., GROUP			1		MR	QA10/547	
7567	83Z9446	DUCT, 3" DIA., GROUP			1		C	QA10/548	
7568	94Z9446	Hose, flexible, "Bestoflex" 3" bore, 9" long			1		C	QA10/549	
	91Z9446	HOSE, FLEXIBLE, GROUP			1		MR	QA10/550	
28F/4051829	AS5406	Ring, sealing			9		C	QA10/551	
	VICKERS A5520	Valve, non-return (Alternative "Normalair" 518060)			2			QA10/552	

SERVICES  
AIR CONDITIONING

Ref. No.	Part No.	Description	No. off	Matl. Spec.	Cl. of	Plate and Illust'n No.
					St. M.R.	
		1 2 3 4				
		PRESSURISATION AND ANTI-ICING IN FUSELAGE CENTRE PORTION (1Z9446) (Cont'd)				
		DUCT, ANTI-ICING, TO INTAKE . . . . .	-	-		QA15/553
		SEPARATOR, PORT AND STARBOARD (1-2Z9449) (Mod. 360)				
		Spares for:-				
	7Z7120	Clip, half, bottom . . . . .	1	-	MR	QA15/554
	8Z7120	Clip, half, top . . . . .	3	-	MR	QA15/555
	9Z7120	Clip, half, bottom . . . . .	2	-	MR	QA15/556
2181	10Z7634	CLIP, DUCT JOINTING, GROUP . . . . .	3	-	C	QA15/557
	3Z7120	DUCT, INTAKE, FROM JOINT INBOARD ENGINE, INTAKE TO JOINT, OUTBOARD ENGINE INTAKE, PORT, GROUP (Pre-Mod. 360)	1	-		
21956	3Z9449	DUCT, INTAKE, FROM JOINT INBOARD ENGINE, INTAKE TO JOINT, OUTBOARD ENGINE INTAKE, PORT, GROUP (Mod. 360)	1	-	C	QA15/558
	4Z7120	DUCT, INTAKE, FROM JOINT INBOARD ENGINE, INTAKE TO JOINT, OUTBOARD ENGINE INTAKE (Pre-Mod. 360)	1	-		
21958	4Z9449	DUCT, INTAKE, FROM JOINT INBOARD ENGINE, INTAKE TO JOINT, OUTBOARD ENGINE INTAKE (Mod. 360)	1	-	C	QA15/559
	5Z7120	DUCT, FRONT SPAR, FROM INJECTOR . DUCT TO JOINT, PORT AND STARBOARD, GROUP (Pre-Mod. 360)	2	-		
21957	5Z9449	DUCT, FRONT SPAR, FROM INJECTOR . DUCT TO JOINT, PORT, GROUP (Mod. 360)	1	-	C	QA15/560
	6Z9449	DUCT, FRONT SPAR, FROM INJECTOR . DUCT TO JOINT, STARBOARD, GROUP (Mod. 360)	1	-		QA15/561
21939	103Z9446	DUCT, FEED, BETWEEN FRONT SPAR . . . . AND TRANSVERSE RIB, GROUP (Mod. 514)	1	-	C	QA12/562

SERVICES  
AIR CONDITIONING

Ref. No.	Part No.	Description	No. off	Matl. Spec.	Cl. of	Plate and Illust'n No.
					St.	
		1 2 3 4			M.R.	
		PRESSURISATION AND ANTI-ICING IN FUSELAGE CENTRE PORTION (1Z9446) (Cont'd)				
21940	104Z9446	DUCT, FEED, AT TRANSVERSE RIB, ..... CENTRE, GROUP (Mod. 514)	1	—	C	QA12/563
21943	160Z9446	DUCT, FEED, AT TRANSVERSE RIB, ..... AFT, GROUP	1	—	C	QA12/564
21944	161Z9446	DUCT, FEED, AT TRANSVERSE RIB, ..... AFT, GROUP	1	—	C	QA12/565
	38Z6632	Gasket, between duct and injector .....	2	DTD378A	MR	QA16/566
	80F8553	Gasket, between duct and injector .....	2	DTD378A	MR	QA16/567
		AIR SUPPLY PIPING TO RE-..... FRIGERATION UNIT (1Z10237 AND Z7588 SHT. 9) (Mod. 748) (Pre-Mod. 1175)				
		Spares for:—				
	10Z10237	Angle .....	1	L72		QA13/568
	11Z10237	Angle .....	1	L72		QA13/569
	21Z10237	Angle .....	1	L72		QA13/570
	22Z10237	Angle .....	1	L72		QA13/571
	12Z10237	Bracket .....	2	L72		QA13/572
	13Z10237	Bracket .....	2	L72		QA13/573
	85Z7588	Bracket .....	2	—		QA13/574
	86Z7588	Bracket .....	2	—		QA13/575
	10Z7501	Bush .....	4	L65	MR	QA13/576
14210	18Z10237	Bush .....	4	L65	C	QA13/577
	72Z6632	Bush .....	4	—		QA13/578



SERVICES  
AIR CONDITIONING

Ref. No.	Part No.	Description	No. off	Matl. Spec.	Cl. of St.	Plate and illust'n No.
					M.R.	
		1 2 3 4				
		AIR SUPPLY PIPING TO REFRIGERATION UNIT (1Z10237 and Z7588 SHT. 9) (Cont'd)				
14215	19Z10237	Cap, blanking (Pre-Mod. 200 only) . . . . .	1	—	MR	QA13/579
	5Z7648	Clamp, half, for duct (Supplied in 2 halves, . wired together)	6 pairs	—	MR	QA13/580
	17Z7648	Clamp, half, for duct (Supplied in 2 halves, . wired together)	1 pair	—	MR	QA13/581
	27Z7648	Clamp, half, for duct (Supplied in 2 halves, . wired together)	2 Pairs	—	C	QA13/582
14216 14219	AS3360/67C	Lead, bonding . . . . .	8	—		QA13/583
	20Z10237	Link . . . . .	2	—	C	QA13/584
	87Z7588	Link . . . . .	2	—	C	QA13/585
	92Z7648	LINK, FOR CLAMP AT STN. 171.842, . . . GROUP	2	—		QA13/586
	23Z10237	PIPE, BETWEEN BOMB ARCHES . . . . . 108.687 AND 95.967", GROUP	1	—	MR	QA13/587
14204	2Z10237	PIPE, BETWEEN BOMB ARCHES . . . . . 108.687" AND 151.919", GROUP	1	—	C	QA13/588
14218	84Z7586	PIPE, BETWEEN CLAMPS AT BUTTERFLY VALVE AND EXPANSION UNIT, GROUP	1	—	C	QA13/589
14206	4Z10237	PIPE, BETWEEN CLAMP AND . . . . . EXTENSION UNIT AT BOMB ARCH, STN. 95.967", GROUP	1	—	C	QA13/590
14207	5Z10237	PIPE, BETWEEN EXPANSION UNIT . . . . . AND CLAMP, BOMB ARCH, STN. 95.967", GROUP	1	—	C	QA13/591
14208	6Z10237	PIPE, BETWEEN CLAMPS AT BOMB . . . . . ARCH, STN. 95.967", GROUP	1	—	C	QA13/592
14209	7Z10237	PIPE, BETWEEN CLAMP AND . . . . . EXPANSION UNIT AT BOMB ARCH, STN. 95.967", GROUP	1	—	C	QA13/593
28F/4051853	AS5404	Ring, sealing . . . . .	12	—	C	QA13/594
	83Z7588	TEE-PIECE, BETWEEN BOMB ARCHES . . 171.842" AND 182.967", 4" DIA., GROUP	1	—		QA13/595
	12Z7613	TIE-BAR, FOR EXPANSION UNIT, . . . . . GROUP	4	—	MR	QA13/596

SERVICES  
AIR CONDITIONING

Ref. No.	Part No.	Description	No. off	Matl. Spec.	Cl. of St.	Plate and Illust'n No.
					M.R.	
		1 2 3 4				
		AIR SUPPLY PIPING TO REFRIGERATION UNIT (1Z10237 AND Z7588 SHT. 9) (Cont'd)				
14221	18Z7613	TIE-BAR, FOR EXPANSION UNIT, . . . . . GROUP	1	—	C	QA13/597
14222	19Z7613	TIE-BAR, FOR EXPANSION UNIT, . . . . . GROUP	1	—	C	QA13/598
	AS2811/5/014	Tube, distance . . . . .	2	—		QA13/599
	10Z7478	UNIT, EXPANSION, GROUP . . . . .	3	—	MR	QA13/600
	TEDDINGTON CONTROLS Ltd. FMP/A/5094	VALVE, BUTTERFLY, GROUP . . . . .	1	—		QA13/601
	65Z7620	Washer, special . . . . .	8	—	MR	QA13/602
		INJECTOR, FIN ANTI-ICING IN BOMB . . . . . BAY (79Z7588) (Pre-Mod. 2063) (97Z7588) (Mod. 2063)				
		Spares for:—				
	63Z7588	Arm, swivel . . . . .	2	L72		QA13/603
	72Z7588	Arm, link . . . . .	4	L72		QA13/604
	5Z7588	BARREL, INJECTOR, GROUP . . . . .	1	—		QA14/606
	77Z7588	BRACKET, SUSPENSION, GROUP, L.H. . . . .	1	—		QA13/607
	78Z7588	BRACKET, SUSPENSION, GROUP, R.H. . . . .	1	—		QA13/608
	96Z7723	Bracket . . . . .	2	—		QA13/609
	16Z7588	Bracket, resistor, "Follow-up" . . . . .	—	—		QA14/610
	4Z7588	Body, injector . . . . .	1	L33		QA14/611
21965	50Z7588	Bolt, special, attachment, cold air valve . . . . .	4	—	C	QA14/612
	SANGAMO WESTON S110G/3/115	Bulb, resistance . . . . .	1	—		QA14/613
	72Z6632	Bush, at link arm . . . . .	4	DTD364B	MR	QA13/614
	3Z7648	Clamp, half, for duct (Supplied in 2 halves . . . . . wired together)	1 pair	DTD371	MR	QA14/615
	4Z7648	Clamp, half, for duct (Supplied in 2 halves . . . . . wired together)	1 pair	—	MR	QA14/616
	11Z7648	Clamp, half, for duct (Supplied in 2 halves . . . . . wired together)	8 pairs	—	MR	QA13/617
	17Z7648	Clamp, half, for duct (Supplied in 2 halves . . . . . wired together)	—	—	MR	QA14/618

SERVICES  
AIR CONDITIONING

Ref. No.	Part No.	Description	No. off				Matl. Spec.	Cl. of St. M.R.	Plate and Illust'n No.
			1	2	3	4			
		INJECTOR FIN, ANTI-ICING IN BOMB BAY (79Z7588 AND 97Z7588) (Cont'd)							
	KING A/C Ltd. C4370-3A	Clamp, quick release, ducting at cold air valve (Pre-Mod. 2063)				1	--	MR	QA14/619
4956	27Z7588	Clip, special, suspension of hot air valve				1	--	C	QA14/620
2184	32Z7634	CLIP, DUCT JOINTING, 3-1/2" I/D, GROUP				1	--	C	QA14/621
	4Z7634	CLIP, DUCT JOINTING, 4" I/D, GROUP				1	--	MR	QA14/622
21966	54Z7588	CLIP, DUCT, 2" I/D, GROUP				1	--	C	QA13/623
		Consisting of:-							
28D/12512	A25/1C	Bolt, 2 BA				1	--	C	
	54aZ7588	Clip				1	--	C	
28M/1012015	AGS2001/C1/66	Nut, 2 BA				1	--	C	
28W/9419475	SP15/C	Washer, 2 BA				1	--	C	
1685	1SS3406	Clip				6	--	C	QA13/624
13373	33SS3264	Clip				1	--	C	QA13/625
21967	55Z7588	CLIP, HEATING DUCT, GROUP				1	--	C	QA13/626
		Consisting of:-							
28D/9436920	A25/1C	Bolt, 2 BA				1	--	C	
	55aZ7558	Clip				1	--	C	
28M/1012015	AGS2001/C1/66	Nut, 2 BA				1	--	C	
28W/9419475	SP15/C	Washer, 2 BA				1	--	C	
	9Z7588	DUCT, ADAPTOR, COLD AIR VALVE, GROUP (Pre-Mod. 2063)				1	--	MR	QA14/627
	6Z7588	DUCT, DE-ICING, GROUP				1	--	MR	QA14/628
9527	67Z7588	DUCT, FEED, FROM BRANCH DUCT TO N.R.V., BETWEEN BOMB ARCHES 171.842" AND 182.947", 4" DIA., GROUP				2	--	C	QA13/629
13617	93Z7588	DUCT, BRANCH, FROM INJECTOR TO TEE-PIECE, GROUP (Mod. 1195)				1	--	C	QA14/630
	61Z7588	DUCT, SLINGING, GROUP (Used on 1st and 5 Prod. A/C only)				1	--		QA14/631
	62Z7588	DUCT, SLINGING, GROUP (Used on 6th and Sub. Prod. A/C)				1	--		QA14/632
	12Z7588	Gasket, cold air valve, 1/32" x 4-1/2" dia.				1	--	MR	QA14/633
	13Z7588	Gasket, adaptor duct and cold air valve 1/32" x 4-1/2" dia.				1	--	MR	QA14/634
	14Z7588	Gasket, injector body and nozzle, 1/32" x 3-1/4" dia.				1	--	MR	QA14/635

SERVICES  
AIR CONDITIONING

Ref. No.	Part No.	Description	No. off	Matl. Spec.	Cl. of	Plate and Illust'n No.
					St. M.R.	
		1 2 3 4				
		INJECTOR FIN, ANTI-ICING IN BOMB BAY (79Z7588 AND 97Z7588) (Cont'd)				
	15Z7588	Gasket, injector body and barrel, 1/32" x 5-1/4" dia. . . . .	1	—	MR	QA14/636
	91Z7588	LEVER, CONNECTING ROD TO HOT AIR VALVE, GROUP (Mod. 940) Spares for:—	1	—	MR	QA14/637
	1SS4084	Bush . . . . .	1	S96	MR	
10318	90Z7588	LEVER, CONNECTING ROD TO MICRO SWITCH, GROUP (Mod. 940) Spares for:—	1	—	C	QA14/638
	10Z7032	Bolt, special . . . . .	1	S1	MR	
	1SS4084	Bush . . . . .	1	S96	MR	
	7Z7588	MEMBER, SUPPORT, GROUP . . . . .	1	—		QA14/639
	8Z7588	MEMBER, SUPPORT, GROUP . . . . .	1	—		QA14/640
5779	1Z7715	NOZZLE, INJECTOR, GROUP . . . . .	1	—	C	QA14/641
	2SS4098	Pin, special, for connecting rod . . . . .	2	S95	MR	QA14/642
	96Z7588	Plate, blanking (Mod. 2063) . . . . .	1	—		QA14/643
1422	85F8553	PLUNGER, HOT AIR VALVE, GROUP . . . . . Spares for:—	1	—	C	QA14/644
2467	87F8553	Plunger . . . . .	1	S14	C	
2164	41Z7144	Spring . . . . .	1	—	C	
2163	40Z7144	Stop . . . . .	1	S1	C	
5CZ/4706917	TEDDINGTON FLJ/A/4	Resistor, "Follow-up" . . . . .	1	—	A	QA14/645
28F/4051829	BELL ASBESTOS Ltd. AS5406	Ring, sealing, adaptor duct (Pre-Mod. 2063) . . . . .	1	—	C	QA14/646
28F/4051861	BELL ASBESTOS Ltd. AS5411	Ring, sealing, branch and tee-piece ducting . . . . .	1	—	C	QA14/647
28F/4051839	BELL ASBESTOS Ltd. AS5403	Ring, sealing, hot air valve . . . . .	2	—	C	QA14/648
28F/4051818	BELL ASBESTOS Ltd. AS5408	Ring, sealing, duct joint . . . . .	8	—	C	QA13/649

SERVICES  
AIR CONDITIONING

Ref. No.	Part No.	Description	No. off	Matl. Spec.	Cl. of St.	Plate and Illust'n No.
					M.R.	
		1 2 3 4				
		INJECTOR FIN, ANTI-ICING, IN BOMB BAY (79Z7588) AND 97Z7588) (Cont'd)				
17060	94Z7588	ROD, CONNECTING, RESISTOR ..... TO HOT AIR VALVE (Mod. 1412)	1	—	B	QA14/650
		Spares for:—				
	1SS4178	Fork-end, L.H. ....	1	—	MR	
12274	2SS4178	Fork-end, R.H. ....	1	—	MR	
	94aZ7588	Rod .....	1	S1	C	
9973	46Z7588	Rod, screwed suspension bracket, 3/8" dia. . x 4-1/4" long	2	S1	C	QA13/651
	8SS3847	Screw, special, stop, for inching levers, 2 . . . BA x 1-1/4" long	1	—	C	QA14/651a
	TEDDINGTON CONTROLS FHO/A/63	Switch, overheat (Mod. 940) .....	1	—		QA14/652
5CW/9438275		Switch, micro, type 1A .....	1	—	A	QA14/653
	—	VALVE, COLD AIR (1Z7564) .....	—	—		
		Spares for:—				
5W/4511921	ROTAX LTD. C5520	Actuator, rotary, with coupling .....	1	—	A	QA14/654
	TEDDINGTON CONTROLS FDF/A/3113	Control, inching (Mod. 940) .....	1	—		QA14/655
	5Z7564	Lever, inching .....	1	S3	MR	QA14/656
	6Z7564	Link, fork .....	1	S1	MR	QA14/657
	14Z7564	LOCKING ACTUATOR MOUNTING, . . GROUP	1	—	MR	QA14/658
		Consisting of:—				
	12Z7564	Bolt, 2 BA .....	1	—	MR	
	9Z7564	Plate, locking .....	1	DTD364B		
21755	10Z7564	Washer, eccentric .....	1	DTD364B	C	
28W/9419454	SP10/C	Washer, thin, 2 BA .....	1	—	C	
	10SS4098	Pin, close tolerance, for inching lever . . . and fork link	2	S96	MR	QA14/659
	1Z7563	VALVE, BUTTERFLY, GROUP .....	1	—	B	QA14/660
		Spares for:—				
	4Z7563	Lever .....	1	—		
	TEDDINGTON CONTROLS FMPA/5129	Valve, hot air, 2" dia. (Mod. 1412) .....	1	—		QA14/661
		Consisting of:—				
5W/383	—	Actuator .....	1	—	A	
27V/4605054	—	Valve .....	1	—	A	
	NORMALAIR	Valve, non-return .....	2	—	A	QA13/662
27KD/4631868	511760	Washer, for bolts at swivel arm .....	4	L72		QA13/663
	36Z7588					

VULCAN Mk. 2

SERVICES  
AIR CONDITIONING

Page QA. 39

Ref. No.	Part No.	Description	No. off	Matl. Spec.	Cl. of	Plate and Illust'n No.
					St. M.R.	
		1 2 3 4				
		PRESSURISATION AND ANTI-ICING IN FUSELAGE CENTRE PORTION (1Z9446) (Cont'd)				
	-	INJECTOR WING, PORT AND STARBOARD 1-2Z6935 (Pre-Mod. 360)	-	-		
	-	INJECTOR, WING, PORT AND STARBOARD (1-2Z9478) (Mod. 360)	-	-		
	1Z6936	Spares for:- BARREL, INJECTOR, GROUP	-	-		QA15/664
	10Z6936	Spares for:- Sleeve	1	Rubber		QA15/665
21945	8Z9478	Bracket, pick-up (Mod. 1412)	-	-	C	QA15/666
6A/3928	SANGAMO WESTON S110G/3/115 13Z7648	Bulb, resistance	1	-	B	QA15/667
		Clamp, half, duct (Supplied in 2 halves, wired together)	1	-	MR	QA15/668
	KING A/C Co. C4370/7B KING A/C Co. C4370/8B	Clamp, toggle, diffuser to injector	1	-	MR	QA15/669
		Clamp, toggle, diffuser to duct	1	-	MR	QA15/670
	8Z6935	DIFFUSER, BETWEEN INJECTOR MOUNTING AND DUCT, GROUP	1	-		QA15/671
21952	1Z6998	DUCT, WING, ANTI-ICING, INBOARD, PORT, GROUP	1	-	C	QA15/672
21954	2Z6998	DUCT, WING, ANTI-ICING, INBOARD, STARBOARD, GROUP	1	-	MR	QA15/673
21953	11Z6998	DUCT, WING, ANTI-ICING, OUTBOARD, PORT, GROUP	1	-	MR	QA15/674
21955	12Z6998	DUCT, WING, ANTI-ICING, OUTBOARD, STARBOARD, GROUP	1	-	MR	QA15/675
	1Z8139	DUCT, FEED, FROM HOT AIR VALVE, TO FRONT SPAR, PORT, GROUP	1	-		QA12/676
	8Z8139	DUCT, FEED, FROM HOT AIR VALVE, TO FRONT SPAR, STARBOARD, GROUP	-	-		QA12/677
	7Z7648	Spares for:- Clamp, half (Supplied in 2 halves, wired together)	1 pair	-	MR	QA12/678
	3Z8139	DUCT, PORT, GROUP	1	-	MR	QA12/679
1505449	12Z8139	DUCT, STARBOARD, GROUP	1	-	MR	QA12/679a
8170	23Z8139	DUCT, REDUCER, PORT, GROUP	1	-	C	QA12/680

SERVICES  
AIR CONDITIONING

Ref. No.	Part No.	Description	No. off	Matl. Spec.	Cl. of St.	Plate and Illust'n No.
					M.R.	
		1 2 3 4				
		DUCT, FEED, FROM HOT AIR VALVE TO FRONT SPAR, STARBOARD, GROUP (828139) (Cont'd.)				
1433196	24Z8139	DUCT, REDUCER, STARBOARD, ..... GROUP	1	—	C	QA12/681
28F/4051829	AS5406	Ring, sealing .....	1	—	C	QA12/682
6159	JAS. WALKER 54866/5	Ring, sealing (Alternative) .....	1	—	C	
5CW/4405417	TEDDINGTON CONTROLS FHO/A/631	Flamestat (Mod. 1704) .....	1	—	A	QA15/683
21947	17Z6935	FUNNEL, OUTBOARD DUCT TO ..... SEPARATOR GROUP (Pre-Mod. 2385)	1	—		QA15/684
	10Z9478	FUNNEL, OUTBOARD DUCT TO ..... SEPARATOR, GROUP (Mod. 2385)	1	—		
	10Z6935	Gasket, joint, between injector barrel and ... body, 1/16" thick x 8.3/4" dia.	AR	DTD378A	MR	QA15/685
	7Z6935	Gasket, joint, between injector barrel and ... body (to be used with 10Z6935 if required)	AR	DTD378A		QA15/686
2160	13Z6935	Gasket, joint, between outboard duct and ... funnel, 1/16" thick x 16-1/4" x 13-3/4"	1	DTD378A	C	QA15/687
	20Z6935	Gasket, joint, between injector body and .... hot air valve, 1/16" x 5" dia.	1	DTD378A	MR	QR15/688
	100Z6935	Gasket, joint, between inboard and ..... outboard ducts, 1/16" thick x 9-1/2" dia.	2	DTD378A	MR	QA15/689
		MOUNTING, INJECTOR, OUTBOARD (1Z7569) (Pre-Mod. 360) (1Z9489) (Mod. 360)				
	6Z6937	Crosshead .....	1	S1	MR	QA15/690
26FP/15306	4SS1945	Screw, adjusting .....	1	—	C	QA15/691
4963	7Z6937	STRAP, GROUP .....	1	—	C	QA15/692
		Consisting of:—				
21950	8Z6937	Crosshead .....	1	S1	C	
26FP/2005	4SS1944	Crosshead .....	1	—	C	
26FP/2001	1SS1942	Strap-end .....	2	—	C	
	11Z6937	Strap, 16" long .....	1	—	C	
		MOUNTING, MICRO-SWITCH AND ..... FOLLOW-UP RESISTOR, PORT AND STARBOARD (1—2Z7392) (Pre-Mod. 360) (1—2Z9482) (Mod. 360)	—	—		
		Spares for:—				
4964	9Z7147	LEVER, GROUP .....	1	—	C	QA15/693
		Spares for:—				
2524	1SS4084	Bush, special .....	1	S96	C	
	1SS4098	Pin, attachment, control rod .....	2	—	MR	QA15/694

SERVICES  
AIR CONDITIONING

Ref. No.	Part No.	Description	No. off	Matl. Spec.	Cl. of St.	Plate and Illust'n No.
					M.R.	
		1 2 3 4				
		MOUNTING, MICRO SWITCH AND FOLLOW-UP RESISTOR, PORT AND STARBOARD (1-2Z7392 AND 1-2Z9482) (Cont'd)				
5CZ/4706917	TEDDINGTON CONTROLS FLJ/A/4	Resistor, "Follow-up" .....	1	—	A	QA15/695
	3Z7032 7Z9482	ROD CONTROL, GROUP (Pre-Mod. 360) ROD CONTROL, GROUP (Mod. 360) ..	1 1	— —		QA15/696
		Spares for:—				
8054	1SS4178	Fork-end, L.H. (Pre-Mod. 360) .....	1	—	MR	
	8Z9482	Fork-end, L.H. (Mod. 360) .....	1	—	C	
	2SS4178	Fork-end, R.H. (Pre-Mod. 360) .....	1	—	MR	
8055	9Z9482	Fork-end, R.H. (Mod. 360) .....	1	—	C	
28M/4095891	A27/CTL	Locknut, L.H. ....	1	—	C	
28M/1006473	A27/CT	Locknut, R.H. ....	1	—	C	
2170	4Z7032	Rod (Pre-Mod. 360) .....	1	S1	C	
	10Z9482	Rod (Mod. 360) .....	1	—	MR	
	10Z7032	Screw, special .....	1	S1	MR	QA15/697
5CW/4038	—	Switch, micro .....	1	—	A	QA15/698
1433031	1Z11896	NOZZLE, AT HOT AIR VALVE, GROUP . (Mod. 2151) (Pre-Mod. 2323)	1	—	A	QA15/699
	2Z7714	NOZZLE, AT HOT AIR VALVE, GROUP . (Mod. 2323)	1	—	MR	
13895	BESTOBELL 28Z6935	Ring, sealing, joint between injector .....	1	—	C	QA15/700
		and diffuser				
13896	BESTOBELL 29Z6935	Ring, sealing, joint between diffuser .....	1	—	C	QA15/701
		and duct				
	AS5409 TEDDINGTON CONTROLS FMP/A/5128	Ring, sealing .....	2	—	MR	QA15/702
		Valve, hot air (Mod. 1412) .....	1	—		QA15/703
		Consisting of:—				
5W/4511930	FJC-A-19 27V6410	Actuator .....	1	—	A	
		Valve .....	1	—		
4968	8Z7440	LINK, SUSPENSION FOR TIE-BAR, .....	8	—	C	QA12/704
		GROUP				
	37Z7620	LINK, TIE-BAR ATTACHMENT, GROUP ... (Pre-Mod. 905)	8	—	MR	
12515	180Z9446	LINK, TIE-BAR ATTACHMENT, GROUP ... (Mod. 905)	8	—	C	QA11/706
4972	45Z7620	LINK, TIE-BAR ATTACHMENT, L.H., .....	9	—	C	QA11/707
		GROUP				

SERVICES  
AIR CONDITIONING

Ref. No.	Part No.	Description	No. off	Matl. Spec.	Cl. of St.	Plate and Illust'n No.
					M.R.	
		1 2 3 4				
PRESSURISATION AND ANTI-ICING IN FUSELAGE CENTRE PORTION (1Z9446) (Cont'd)						
4973	46Z7620	LINK, TIE-BAR ATTACHMENT R.H., ..... GROUP	9	—	C	QA11/708
Consisting of:—						
28D/9133012	A25/3C	Bolt, 2 BA .....	2	—	C	
	45aZ7620	Link, upper .....	1	L72		
	45bZ7620	Link, lower .....	2	L72		
28M/5808573	A27/CS	Nut, slotted, 2 BA .....	2	—	C	
28P/9527619	SP90/C7	Pin, split .....	2	—	C	
	AS2808/5/014	Tube, distance .....	2	—		
28W/9419475	SP15/C	Washer, 2 BA .....	2	—	C	
	20Z9446	LINK, TIE-BAR ATTACHMENT L.H., ..... GROUP	2	—	MR	QA10/709
	21Z9446	LINK, TIE-BAR ATTACHMENT R.H., ..... GROUP	2	—	MR	QA10/710
Consisting of:—						
28D/9133012	A25/3C	Bolt, 2 BA .....	2	—	C	
	20aZ9446	Link, upper .....	1	—		
	20bZ9446	Link, lower .....	2	—		
28M/5808573	A27/CS	Nut, slotted, 2 BA .....	2	—	C	
28P/9527619	SP90/C7	Pin, split .....	2	—	C	
	AS2808/5/014	Tube, distance .....	2	—		
28W/9419475	SP15/C	Washer, 2 BA .....	2	—	C	
	22Z9446	LINK, TIE-BAR ATTACHMENT L.H., ..... GROUP	1	—	MR	QA9/711
	23Z9446	LINK, TIE-BAR ATTACHMENT R.H., ..... GROUP	1	—	MR	
Consisting of:—						
28D/9133012	A25/3C	Bolt, 2 BA .....	2	—	C	
	22aZ9446	Link, upper .....	1	L72		
	22bZ9446	Link, lower .....	2	L72		
28M/5808573	A27/CS	Nut, slotted, 2 BA .....	2	—	C	
28P/9527619	SP90/C7	Pin, split .....	2	—		
	AS2808/5/014	Tube, distance .....	2	—	C	
28W/9419475	SP15/C	Washer, 2 BA .....	2	—	C	
	8Z9523	LINK, TIE-BAR ATTACHMENT L.H., ..... GROUP	1	—		QA11/712
	9Z9523	LINK, TIE-BAR ATTACHMENT R.H., ..... GROUP	1	—	MR	QA11/714
Consisting of:—						
28D/9133012	A25/3C	Bolt, 2 BA .....	2	—	C	
	8C9523	Link, upper .....	1	—		
	59bZ7620	Link, lower .....	2	—		
28M/5808573	A27/CS	Nut, slotted, 2 BA .....	2	—	C	
28P/9527619	SP90/C	Pin, split .....	2	—	C	
	AS2808/5/014	Tube, distance .....	2	—		
28W/9419475	SP15/C	Washer, 2 BA .....	2	—	C	

SERVICES  
AIR CONDITIONING

Ref. No.	Part No.	Description	No. off	Matl. Spec.	Cl. of	Plate
					St.	and
					M.R.	Illust'n
						No.
			1	2	3	4
		PRESSURISATION AND ANTI-ICING IN FUSELAGE CENTRE PORTION (1Z9446) (Cont'd)				
	45Z9446	LINK, TIE-BAR ATTACHMENT, GROUP ...	4	—	MR	QA9/715
	52Z9446	LINK, TIE-BAR ATTACHMENT, GROUP ...	4	—	MR	QA9/716
4973	46Z7620	LINK, TIE-BAR ATTACHMENT, GROUP ... (Pre-Mod. 906)	4	—		
11770	176Z9446	LINK, TIE-BAR ATTACHMENT, GROUP ... (Mod. 906)	4	—	C	QA11/717
21929	68Z9446	Link, attachment .....	1	—	C	QA10/718
21936	67Z9446	Link, attachment .....	2	—	C	QA13/719
21934	100Z9446	Link, attachment .....	2	—	C	QA13/720
21887	4Z8787	Plate, blanking (Mod. 996) .....	1	—	C	QA14/721
	—	SHIELDS, HEATER DUCT TO PROTECT ... PIPES (1Z9590) PORT (Mod. 514) AND (2Z9450) STARBOARD Spare for:—				
	31Z9450	SHIELD, HEAT DUCT BETWEEN ..... DIAPHRAGM 93.75" AND TRANS- VERSE RIB, PORT, GROUP	—	—		QA12/722
	2Z9590	Shield, heater duct between diaphragm ..... 49.5" and 27" port	1	L72		QA12/723
	25Z7139	SHIELD, HEATER DUCT, AFT OF ..... DIAPHRAGM 27", PORT, GROUP	1	—		QA12/724
	27Z7139	SHIELD, HEATER DUCT, CENTRE, ..... PORT, GROUP	1	—		QA12/725
	11Z7139	SHIELD, HEATER DUCT, CENTRE, ..... OUTBOARD, PORT, GROUP	1	—		QA12/726
	13Z7139	SHIELD, HEATER DUCT, AFT, ..... PORT, GROUP	1	—		QA12/727
	32Z9450	SHIELD, HEATER DUCT, BETWEEN ..... DIAPHRAGM 93.75" AND TRANSVERSE RIB, STARBOARD, GROUP	—	—		QA12/728
	18Z9450	Shield, heater duct, between diaphragm ..... 27" and 42.5" starboard	1	L72		QA12/729
	20Z9450	Shield, heater duct, between transverse ..... rib and diaphragm 49.5" starboard	1	—		QA12/730

SERVICES  
AIR CONDITIONING

Ref. No.	Part No.	Description	No. off	Mtrl. Spec.	Cl. of St.	Plate and Illust'n No.
					M.R.	
		1 2 3 4				
		PRESSURISATION AND ANTI-ICING IN FUSELAGE CENTRE PORTION (129446) (Cont'd)				
	26Z7139	SHIELD, HEATER DUCT AFT OF ..... DIAPHRAGM 27" STARBOARD, GROUP	1	—	C	QA12/731
6991	28Z7139	SHIELD, HEATER DUCT CENTRE ..... STARBOARD, GROUP	1	—	C	QA12/732
	12Z7139	SHIELD, HEATER DUCT, CENTRE ..... OUTBOARD, STARBOARD, GROUP	1	—		QA12/733
	14Z7139	SHIELD, HEATER DUCT, AFT ..... STARBOARD, GROUP	1	—		QA12/734
28F/4169558	AS5402	Ring, sealing (Mod. 1128) .....	2	—		QA13/735
28F/4051829	AS5406	Ring, sealing, for clamp joints .....	51	Asbestos	C	QA9/736
28F/4051818	AS5408	Ring, sealing, for clamp joints .....	3	Asbestos	C	QA9/737
28F/4051860	AS5410	Ring, sealing, for clamp joints .....	6	Asbestos	C	QA9/738
	165F10005	Ring, sealing, 1/16" thick x 5.4" dia. ....	2	DTD378A	MR	QA9/739
	21Z9523	Ring, sealing, 1/16" thick x 5.4" dia. ....	1	DTD378A	MR	QA11/740
	166F10005	Ring, sealing, 1/16" thick x 5.5" dia. ....	1	DTD378A		QA9/741
	20Z9523	Ring, stiffening, for sealing ring .....	--	L72		QA11/742
	3Z7630	TIE-BAR, FOR EXPANSION UNITS ..... BETWEEN DIAPHRAGM 27 AND TRANSVERSE RIB, GROUP	8	—	MR	QA12/743
	4Z7603	TIE-BAR, FOR EXPANSION UNIT, GROUP .	2	—	MR	QA17/744
	5Z7613	TIE-BAR, FOR EXPANSION UNIT, GROUP .	12	—	MR	QA11/745
	6Z7613	TIE-BAR, FOR EXPANSION UNIT, GROUP .	12	—	MR	QA11/746
	13Z7603	TIE-BAR, FOR EXPANSION UNIT, GROUP .	8	—	MR	QA10/747
	61Z9446	TIE-BAR, FOR EXPANSION UNIT, GROUP .	2	—	MR	QA9/748
7575	62Z9446	TIE-BAR, FOR EXPANSION UNIT, GROUP .	2	—	C	QA9/749
	169Z9446	TIE-BAR, FOR EXPANSION UNIT, GROUP . (Mod. 906)	8	—		QA9/750
21902	110Z9446	TIE-BAR, STARBOARD, GROUP .....	2	—	C	QA9/751
	4Z7478	UNIT, EXPANSION, 2.9" BORE, GROUP ... Spares for:—	1	—	MR	QA9/752
5587	POWER FLEX Cat. No. 127	Bellows 8 corr., 4 ply .....	1	—	C	
26FP/13607	1SS3338	Clip, pipe .....	1	L4	C	

SERVICES  
AIR CONDITIONING

Ref. No.	Part No.	Description	No. off	Matl. Spec.	Cl. of St.	Plate and Illust'n No.
					M.R.	
		1 2 3 4				
PRESSURISATION AND ANTI-ICING IN FUSELAGE CENTRE PORTION (129446) (Cont'd)						
	6Z7478	UNIT, EXPANSION, 3.9" BORE, GROUP .... Spares for:—	5	—	MR	QA9/753
5588 26FP/13607	POWER FLEX Cat. No. 129 1SS3338	Bellows, 8 corr., 4 ply .....	1	—	C	
		Clip, pipe .....	1	L4	C	
2059	7Z7478	UNIT, EXPANSION, 4.4" BORE, GROUP .... Spares for:—	—	—		QA11/756
	POWER FLEX Cat. No. 130 1SS3338	Bellows, 15 corr., 4 ply .....	1	—	MR	
26FP/13607		Clip, pipe .....	1	L4	C	
	11Z7478	UNIT, EXPANSION, 2.9" BORE, GROUP .... Spares for:—	9	—	MR	QA9/757
5585 26FP/13607	POWER FLEX Cat. No. 127 1SS3338	Bellows, 15 corr., 4 ply .....	1	—	C	
		Clip, pipe .....	1	L4	C	
21962	13Z7478	UNIT, EXPANSION, 3.9" BORE, GROUP .... Spares for:—	1	—	C	QA11/758
5588 26FP/13607	POWER FLX Cat. No. 129 1SS3338	Bellows, 15 corr., 4 ply .....	1	—	C	
		Clip, pipe .....	1	L4	C	
	18Z7478	UNIT, EXPANSION, 2.9" BORE, GROUP .... Spares for:—	1	—	MR	QA17/759
5585 26FP/13607	POWER FLEX Cat. No. 127 1SS3383	Bellows, 20 corr., 4 ply .....	1	—	C	
		Clip, pipe .....	1	L4	C	
	166Z9446	UNIT, EXPANSION, GROUP (Mod. 906) ....	4	—	MR	QA9/760
		UNIT, AIR CONDITIONING NOSE WHEEL BAY (21Z7303) Spares for:—				
		AUTO FLOW CONTROL SYSTEM, NOSE WHEEL BAY (20Z7303) Spares for:—				
5W/4511947	TEDDINGTON FJC/A/73 KING A/C Co.	Actuator (Pre-Mod. 2410) .....	1	—	A	
6148	C3991/2B	Clamp, joint at breeches piece .....	2	—	C	QA17/761
6149	C3991/2-1/2B KING A/C Co.	Clamp, joint at branch duct .....	2	—	C	QA17/762
1510168	C4205/3B	Clamp, for duct joint (Pre-Mod. 2410) ..	5	—	C	QA17/763
6152	13Z7303	DUCT, BRANCH, GROUP .....	1	—	C	QA17/765
6151	14Z7303	DUCT, GROUP (Pre-Mod. 2410) .....	1	—	C	QA17/

SERVICES  
AIR CONDITIONING

Ref. No.	Part No.	Description	No. off	Matl. Spec.	Cl. of St.	Plate and Illust'n No.
					M.R.	
		1 2 3 4				
		AUTO FLOW CONTROL SYSTEM, NOSE WHEEL BAY (20Z7303) (Cont'd)				
6155	15Z7303	DUCT, BRANCH EXTENSION, GROUP ..	1	—	C	QA17/767
6153	11Z7303	DUCT, BREECHES PIECE, GROUP .....	1	—	C	QA17/768
6154	12Z7303	DUCT, TEE-PIECE, GROUP .....	1	—	C	QA17/769
28F/4169558	BELL ASBESTOS AS5402	Ring, sealing .....	1	—	C	QA17/770
28F/4051839	BELL ASBESTOS AS5403	Ring, sealing .....	2	—	C	QA17/771
28F/4051853	BELL ASBESTOS AS5404	Ring, sealing .....	2	—	C	QA17/772
28F/4051829	BELL ASBESTOS AS5406	Ring, sealing .....	7	—	C	QA17/773
27KD/4631879	NORMALAIR 517760	Valve, non-return, insert type .....	3	—	A	QA17/774
	TEDDINGTON FMP/A/5028	Valve, butterfly, 3" dia. ....	1	—		QA17/775
26KD/4631809	NORMALAIR 512180DCV.1	Valve, control, auto-flow .....	2	—	A	QA17/776
	1Z7475	BELLOWS, BETWEEN PRESSURE .....	1	—		QA18/776a
	10Z7303	Bolt, special (Made from A25/4C) .....	6	—		QA18/777
		attachment under heat ductstat				
5000	7Z7303	BRACKET ATTACHMENT, OUTBOARD, ...	2	—	C	QA19/778
		FOR AIR CONDITIONING UNIT, GROUP				
5001	8Z7303	BRACKET ATTACHMENT, INBOARD, .....	2	—	C	QA19/779
		FOR AIR CONDITIONING UNIT, GROUP				
	13Z7648	Clamp, half, for bellows (Pre-Mod. 596) ..	1	—	MR	
		(Supplied in 2 halves, wired together)	pair			
	KING A/C CO. C4370/5B	Clamp .....	1	—	MR	QA18/780
	KING A/C CO. C3991/4-1-2E	Clamp, for branch duct to N.R.V., and air .	3	—	MR	QA18/781
		conditioning unit				
8213	1Z9703	DUCT, BRANCH, NON-RETURN .....	1	—	A	QA18/783
		VALVE TO AIR CONDITIONING UNIT, GROUP (Mod. 596)				

VULCAN Mk. 2

SERVICES  
AIR CONDITIONING

Page QA.47

Ref. No.	Part No.	Description	No. off	Matl. Spec.	Cl. of St.	Plate and Illust'n No.
					M.R.	
		1 2 3 4				
UNIT, AIR CONDITIONING, NOSE WHEEL BAY (21Z7303) (cont'd)						
5CZ/4706398	TEDDINGTON 3401004000	Ductstat, underheat .....	1	—	A	QA18/784
28FP/1048015	A405	Pin, pip, quick release .....	2	—	C	QA19/785
28F/4051859	BELLS ASBESTOS AS5409	Ring, sealing, at branch duct breeches ... pieces	4	Asbestos	C	QA18/786
5003	15Z7312	Screw, knurled, at attachment brackets, for air conditioning unit	1	S1	C	QA19/787
28F/4051818	AS5408	Seal .....	1	—	C	QA17/788
12564	30Z7330	UNIT, AIR CONDITIONING, CABIN, .....	1	—	A	QA18/789
13834	34Z7330	GROUP (Pre-Mod. 1968) UNIT, AIR CONDITIONING, CABIN, .....	1	—	A	
GROUP (Mod. 1968) Spares for:—						
28F/1014970	43Z7304	Adaptor, drain .....	1	—		QA19/790
28F/8011809	AGS1104/A	Adaptor .....	1	—	C	QA19/791
	AGS1104/B	Adaptor .....	1	—	C	QA19/792
	9Z7648	Clamp, 4.5" dia. flange (Supplied in 2 .. halves, wired together)	3	DTD371	MR	QA19/793
	11Z7648	Clamp, 5" dia. flange (Supplied in 2 ... halves, wired together)	1	DTD371	MR	QA19/794
	13Z7648	Clamp, 5.2" dia. flange (Supplied in 2 .. halves, wired together)	7	DTD371	MR	QA17/795
10268	KING A/C CO. C4370/3-3/4"	Clamp (Alternative clamp) .....	1	—	C	QA19/796
	31Z7304	Clip, half .....	2	—	MR	QA18/797
	34SS2868	Clip .....	1	—		QA19/798
	21SS1768	Clip .....	7	—		QA19/799
28E/10154	AGS605/00	Clip, jubilee .....	4	—		QA19/800
27UA/4611963	D150/4A	Cooler, primary .....	1	—	A	QA19/801
5009	5Z7304	DUCT, GROUP .....	1	—	C	QA19/802
	44Z7304	DUCT, GROUP .....	1	—	MR	QA19/803
	45Z7304	DUCT, GROUP .....	1	—	MR	QA19/804
5012	47Z7304	DUCT, GROUP .....	1	—	C	QA19/805
6161	1Z9064	DUCT, JUNCTION, GROUP .....	1	—		QA17/806
		DUCT, EXHAUST, FROM PRIMARY .... COOLER (1Z7357) (Pre-Mod. 177)				QA19/807
	Spares for:—					
	9Z7648	Clamp, for duct (Supplied in 2 halves, wired together)	1	DTD371	MR	QA19/808
8983	20Z7357	DUCT, ADAPTOR, GROUP .....	1	—	C	QA19/809

SERVICES  
AIR CONDITIONING

Ref. No.	Part No.	Description				No. off	Mati. Spec.	Cl. of St.	Plate and Illust'n No.
		1	2	3	4			M.R.	
		DUCT EXHAUST, FROM PRIMARY COOLER (19Z7357) (Cont'd)							
8984	21Z7357	DUCT, INJECTION, GROUP .....				1	—	C	QA19/810
8985	22Z7357	DUCT, GROUP .....				1	—	C	QA19/811
5018	1Z7493	DUCT, RELIEF VALVE, EXHAUST, .... GROUP				1	—	C	QA19/812
	4Z7493	Spares for:— Seal, "Hallite", 1/16" thick .....				1	—	MR	
1510094	17Z7357	DUCT, OUTER, GROUP .....				1	—	C	QA18/813
	12Z7357	Gasket, "Hallite", 1/16" thick x 6.3" ..				1	DTD378A	MR	QA19/814
	10Z7357	Gasket, strip, "Hallite", 1/16" thick ... x .7" x 13.13" long				2	DTD378A	MR	QA17/815
	11Z7357	Gasket, strip, "Hallite", 1/16" thick ... x .7" x 9.9" long				2	DTD378A	MR	QA19/816
	DUNLOP DAS/393/56/4 BESTOBELL AS5407	Hose, coupling .....				1	Rubber		QA19/817
28F/4051855		Seal .....				1	—	C	QA17/818
		ELECTRICS CABLE HARNESS .....				Ref.			
		(See Electrical Installation) (Ref. Drg. 1Z7589)							
27UA/4611962	GODFREY & PARTNER 22583	Extractor, water (WE60/Mk. 3) .....				1	—	A	QA19/819
5CZ/5097	TEDDINGTON FHO/A/87	Flamestat .....				1	—	A	QA18/820
8982	21Z7330	FILTER, GROUP .....				1	—	C	QA19/821
	34Z7304	Gasket, "Hallite", 1/16" thick .....				1	DTD378A	MR	QA17/822
12869	35Z7334	INTAKE, AIR COOLER, GROUP .....				1	—	C	QA18/823
		(Pre-Mod. 177 & 1857)							
12870	36L7334	INTAKE, AIR DUCT, GROUP .....				1	—	C	
		(Mod. 1857)							
	40Z7304	Lamp, "Cabin Air Conditioning" .....				1	L59		QA19/824
	41Z7304	Label, "Vulcan Air Conditioning" .....				1	L59		QA19/825
		LEVER, 4-WAY, AIR MIXING VALVE (1Z7911)							
		Spares for:—							
	17Z7911	Bracket, switch .....				1	—	MR	QA18/826
	5Z7911	LEVER, VALVE, GROUP .....				1	—	MR	QA18/827
		Spares for:—							
	1SS4084	Bush, special .....				2	S96	MR	

SERVICES  
AIR CONDITIONING

Ref. No.	Part No.	Description	No. off	Matl. Spec.	Cl. of	Plate and Illust'n No.
					St. M.R.	
		1 2 3 4				
		LEVER, 4-WAY AIR MIXING VALVE (1Z7911) (Cont'd)				
6250	16Z7911	LEVER, FOR FOLLOW UP .....	1	—	C	QA18/828
	1SS4054	RESISTOR, GROUP Spares for:—				
5CZ/4335563	TEDDINGTON FLJ/A/5	Bush, special .....	2	—	MR	
	6Z7911	Resistor, follow up .....	1	—	A	QA18/829
	7Z7911	ROD, CONTROL, GROUP .....	1	—	MR	QA18/830
	13Z7355	ROD, CONTROL, GROUP .....	1	—	MR	QA18/831
	1SS4178	ROD, CONTROL, GROUP .....	1	—	MR	QA18/832
	2SS4178	Spares for:— Fork end, L.H. ....	1	—	MR	
	2Z7911	Fork end, R.H. ....	1	—	MR	
6A/7002023	1SS4084	TRANSMITTER, DESYNN .....	1	—		QA18/833
	—	Spares for:— Bush, special .....	1	S96	MR	
	27Z7304	Transmitter, type "C" .....	1	—	A	
	26Z7304	PIPE, 22G x 3/16" o/d x 2.4" LONG ... APPROX., GROUP	1	DTD323	MR	QA19/834
	27Z7330	PIPE, 22G x 3/16" o/d x 2'-0" LONG .. APPROX., GROUP	1	DTD323	MR	QA19/335
	28Z7330	PIPE, 22G x 3/8" o/d x 6'-0" LONG ... APPROX., GROUP	1	—	MR	QA19/836
12006	29Z7330	PIPE, 22G x 1/4" o/d x 3'-0" LONG ... APPROX., GROUP (Pre Mod. 1969)	1	—	C	QA19/837
12176	32Z7304	PIPE, 22G x 1/4" o/d x 3'-0" LONG ... APPROX., GROUP	1	—	C	QA19/838
	33Z7330	PIPE, 22G x 1/4" o/d x 2'.75" LONG ... APPROX., GROUP	1	DTD323	MR	QA19/839
	33Z7304	PIPE, 22G x 1/4" o/d x 3'-0" LONG ... APPROX., GROUP (Mod. 1969)	1	DTD323		QA19/840
	26Z7330	PIPE, 22G x 3/16" o/d x 2.75" LONG .. APPROX., GROUP	1	DTD323	MR	QA19/841
	7Z7330	PIPE, 22G x 3/8" o/d x 8'-0" LONG ... APPROX., GROUP	1	—	MR	QA19/842
11997	12Z7330	PIPE, 20G x 3/8" o/d x 3'-5" LONG ... APPROX., GROUP	1	L54 & L59	MR	QA19/843
		PIPE, 22G x 1/2" o/d x 4" LONG .....	1	DTD323	C	QA19/844

SERVICES  
AIR CONDITIONING

Ref. No.	Part No.	Description	No. off	Matl. Spec.	Cl. of St.	Plate and Illust'n No.
					M.R.	
		1 2 3 4				
		UNIT, AIR CONDITIONING, CABIN (30-34Z7330) (Cont'd)				
10263	13Z7330	PIPE, 22G x 1" o/d x 2.5" LONG ..... APPROX., GROUP	1	T55	C	QA19/845
10262	14Z7330	PIPE, 20G x 1" o/d x 21.0" LONG ..... APPROX., GROUP	1	T55	C	QA18/846
	31Z7330	Pipe, 22G x 3/8" o/d x 2'-6" long .....	-	L52	MR	QA19/847
	6Z7330	Pipe, PR.1/2" o/d x 3/8" i/d x 7'-0" ... long	1	Rubber	MR	QA19/847a
28F/1013599	AGS1142/A	Nipple, adaptor .....	2	-	C	QA19/848
28F/801885	AGS1142/B	Nipple, adaptor (Mod. 1969) .....	3	-	C	QA19/849
28F/9486111	AGS1142/H	Nipple, adaptor .....	3	-	C	QA19/850
28F/4051855	BESTOBELL AS5407	Ring, sealing, 4.5" flange .....	3	Asbestos	C	QA19/851
28F/4051818	BESTOBELL AS5408	Ring, sealing, 5.0" dia., flange .....	1	Asbestos	C	QA19/852
28F/4051859	BESTOBELL AS5409	Ring, sealing, 5.20" dia., flange .....	1	Asbestos	C	QA17/853
	32Z7330	Rubber, joint, 3/8" i/d x 2.0" long .....	1	Rubber	MR	QA19/854
	DE					
	HAVILLAND					
	100A201711	Restrictor, thick (Mod. 1969) .....	1	-		QA19/855
	16Z7330	Restrictor, special .....	1	-	MR	QA18/856
	PLESSEY					
	7CZ103739	Relay .....	2	-		QA19/857
	1Z7312	STRUCTURE, AIR CONDITIONING ... UNIT, GROUP	1	-		QA19/858
		Spares for:-				
	18Z7329	Bracket, attachment .....	2	-		QA19/859
	26Z7312	Bracket, receiver .....	1	-		QA19/860
	27Z7312	Bracket, receiver .....	1	-	MR	QA18/861
	1Z7408	EXPANSION, PICK-UP .....	4	-	MR	QA19/862
		Spares for:-				
	6Z7408	Spring, 16G springwire .....	2	-	MR	
		MOUNTING, COLD AIR UNIT .....	-	-		QA19/863
		(1Z7315)				
		Spares for:-				
4999	16H2227	Bolt, special, 2 BA .....	6	S94, 95, 96	C	
	28Z7312	PIN, QUICK RELEASE, GROUP ....	2	-	MR	QA18/864
		Spares for:-				
	28aZ7312	Chain, 3" long, approx. ....	1	-		
28FP/9713920	A411	Pin, pip .....	1	-	C	
	28bZ7312	Ring, shear, 1/2" dia. ....	2	-		
	19Z7330	Seal, joint, "Hallite", 1/16" thick x ..... 11.31" x 13.13"	-	-	MR	QA18/865

SERVICES  
AIR CONDITIONING

Ref. No.	Part No.	Description				No. off	Matl. Spec.	Cl. of	Plate and Illust'n No.
		1	2	3	4			St. M.R.	
		UNIT, AIR CONDITIONING, CABIN (30-34Z7330) (Cont'd)							
5CW/13424	TEDDINGTON FLY/A/10				Switch, pressure ratio (Mod. 2331) . . . . .	1	-	A	QA19/866
	1Z7763				TRAY, DRIP FOR COLD AIR UNIT . . . . .	-	-		QA19/867
	7Z7763				Spares for:- Seal, 1/8" thick x 5-1/4" x 5-1/4" . . . . .	1	Rubber	MR	QA19/868
2566	2Z7763				TRAY, DRIP, GROUP . . . . .	1	-	C	QA19/869
28F/9440881	AGS1118/A				Tee-piece . . . . .	1	-	C	QA19/870
28F/8011811	AGS1118/B				Tee-piece (Pre-Mod. 1969) . . . . .	1	-	C	
21961	3SS3385				Tee-piece (Mod. 1969) . . . . .	1	-	C	QA19/871
5CZ/4335568	TEDDINGTON FLW/A/6				Unit, underheat control . . . . .	1	-	A	QA18/872
	GODFREY & PARTNER								
27UA/4611966	-				Unit, cold air (Type BT15 MK. 1A) . . . . .	1	-	A	QA19/873
					VALVE, HOT AIR GATE (17Z7330) Spares for:-				
	TEDDINGTON FKH/A/5040				Valve, hot air gate . . . . .	1	-		QA18/874
	-				Consisting of:-				
5W/4511916	-				Actuator . . . . .	1	-	A	
27V/4604687	-				Valve . . . . .	1	-	A	
					VALVE, HOT AIR GATE, "FOLLOW- UP" (10Z7416) Spares for:-				
	1SS4178				Fork-end . . . . .	1	-	MR	QA18/875
	2SS4178				Fork-end . . . . .	1	-	MR	QA18/876
	9Z7416				LEVER, GROUP . . . . .	1	-	MR	QA18/877
	1SS4084				Spares for:- Bush . . . . .	1	S96	MR	
5CZ/4335558	TEDDINGTON FLJ/A/8				Resistor, follow-up (less lever arm . . . . . only) supplied with 6-4 BA screws etc. (Teddington Drg. FLJ/inst. 169)	1	-	B	QA18/878
5027	7Z7416				Rod . . . . .	1	S1	C	QA18/879
27KD/4631849	NORMALAIR 505170				Valve, pressure relief, type 55 . . . . .	1	-	A	QA17/880
	TEDDINGTON FKH/A/5050				Valve, temperature control . . . . .	1	-		QA19/881
	-				Consisting of:-				
5W/4511938	-				Actuator . . . . .	1	-	A	
27V/4604686	-				Valve . . . . .	1	-	A	

SERVICES  
AIR CONDITIONING

Ref. No.	Part No.	Description	No. off	Matl. Spec.	Cl. of St.	Plate and Illust'n No.
					M.R.	
		1 2 3 4				
		<b>PRESSURIZATION AND ANTI-ICING IN FUSELAGE CENTRE PORTION (1Z9446) (Cont'd)</b>				
	TEDDINGTON FMP/A/5022	Valve, butterfly, 3" dia., at by-pass duct, . . . . between bomb arches 171.842" and 182.967"	1	—		QA13/882
27UD/2	ROTAX M5614	Valve, pressure regulating engine main air . . . . supply (Mod. 1508)	4	—	A	QA9/883
		<b>PRESSURIZATION INSTALLATION AIRBORNE EQUIPMENT TAIL WARNING REAR PORTION (Q2110)</b>				
28D/1010658	A25/1B	Bolt . . . . .	12	—	C	QA20/884
28F/9423227	AGS1135/B	Bolt, banjo . . . . .	1	—	C	QA20/885
28F/9439533	AGS1129/B	Body, banjo . . . . .	1	—	C	QA20/886
28F/8011887	AGS1113/B	Body, union . . . . .	1	—	C	QA20/887
28D/9133011	A25/2C	Bolt . . . . .	4	—	C	QA20/888
28D/9436920	A25/1C	Bolt . . . . .	1	—	C	QA20/889
28D/9140644	A25/9C	Bolt . . . . .	2	—	C	QA20/890
	A31/B22	Screw . . . . .	4	—		QA20/891
26FP/1727	2SS3859	CLIP, PIPE, GROUP . . . . .	9	—	C	QA20/892
6D/1825	—	Cylinder, nitrogen (Mod. 2193) . . . . .	2	—		QA20/893
6D/9429881	—	Piece, 3-way, Mk. 5 . . . . .	2	—	C	QA20/894
	2Q2110	CRADLE, MOUNTING, GROUP . . . . .	1	—		QA20/895
		Spares for:—				
10439	16Q2110	Piece, distance . . . . .	8	—	C	QA20/896
22421	3Q2110	STRUCTURE, GROUP . . . . .	—	—	C	
10438	14Q2110	STRAP, FOR CYLINDER, GROUP . . . . .	8	—	C	
		Consisting of:—				
	AS2424/6-1/4"	Strap, tank . . . . .	1	—		QA20/897
	15Q2110	Strap, packing . . . . .	1	—		QA20/898
		<b>ATTACHMENTS FOR 14Q2110</b>				
28D/9419397	A25/12C	Bolt . . . . .	8	—	C	QA20/899
28M/1012015	AGS2001/C1/66	Nut, stiff . . . . .	8	—	C	QA20/900
28W/9419475	SP15/C	Washer . . . . .	8	—	C	QA20/901
	63Q2110	<b>GAUGE, PRESSURE, PORT, GROUP . . . . . (Mod. 2193)</b>	1	—		QA20/902
		Spares for:—				
6A/2237916	—	Gauge, pressure, Mk. 14LL . . . . .	1	—	C	
6A/1037413	—	Label, air fluorescent . . . . .	1	—	C	
12633	58Q2110 DUNLOP	HOSE, FLEXIBLE, GROUP . . . . .	1	—	C	QA20/903
27VA/5446036	G4/N14/401/8/9/24	Hose, flexible, for air charging valve . . . . .	1	—	C	QA20/904
28F/1013599	AGS1142/B	Nipple, adaptor, for piping . . . . .	13	—	C	QA20/905
28F/8011885	AGS1142/A	Nipple, adaptor, for pipes . . . . .	2	—	C	QA20/906

SERVICES  
AIR CONDITIONING

Ref. No.	Part No.	Description	No. off	Mati. Spec.	Cl. of St.	Plate and Illust'n No.
					M.R.	
		1 2 3 4				
PRESSURISATION INSTALLATION (Q2110) (Cont'd.)						
1433758	59Q2110	PANEL, PRESSURISATION, GROUP .....	—	—		QA20/907
		(Mod. 2193) Spares for:—				
28D/9436920	A25/1C	Bolt .....	8	—	C	QA20/908
28F/1013599	AGS1132/B	Nipple, adaptor, for piping .....	5	—	C	QA20/909
28M/9146787	AGS2002/C1	Nut, stiff .....	4	—	C	QA20/910
10448	27Q2110	PIPE, FROM AIR CHARGING VALVE .....	1	—	C	QA20/911
		TO PRESSURE REDUCING VALVE, AFT, 22G x 1/4" o/d x 10.0", GROUP				
10446	33Q2110	PIPE, FROM AIR CHARGING VALVE .....	1	DTD323	C	QA20/912
		TO PRESSURE REDUCING VALVE, FORWARD, 22G x 1/4" o/d x 5.0", GROUP				
	53Q2110	PIPE, FROM LINE VALVE TO .....	1	—	MR	QA20/913
		PRESSURE REDUCING VALVE, 22G x 1/4" o/d x 9.5", GROUP				
	60Q2110	PIPE, GROUP (Mod. 2193) .....	1	—		QA20/914
	61Q2110	PIPE, GROUP (Mod. 2193) .....	1	—		
	62Q2110	PIPE, GROUP (Mod. 2193) .....	1	—		
	22Q2110	Panel, support .....	1	—		QA20/915
27VA/4619829	DUNLOP ACO1564	Valve, pressure maintaining .....	1	—	A	
		(Mod. 2193)				
	25Q2110	VALVE, PRESSURE REDUCING, .....	1	—		QA20/916
		GROUP Consisting of:—				
28D/1007972	A25/1/2C	Bolt .....	4	—	C	QA20/917
	26Q2110	Plate, base .....	1	—		QA20/918
	DUNLOP ACM20154	Valve, pressure, reducing 200—23 p.s.i.	1	—		QA20/919
28W/9416643	SP47/C	Washer, spring .....	4	—	C	QA20/920
	54Q2110	VALVE, LINE, GROUP .....	1	—		QA20/921
		Consisting of:—				
28D/1011019	A25/8C	Bolt .....	2	—	C	QA20/922
	54aQ2110	Packing .....	1	—		QA20/923
6D/2118	—	Valve, line .....	1	—	B	QA20/924
28W/9419475	SP15/C DUNLOP ACM16368	Washer .....	2	—	C	QA20/925
		Valve, pressure reducing, 3,500—200 p.s.i.	1	—		QA20/926

SERVICES  
AIR CONDITIONING

Ref. No.	Part No.	Description	No. off	Matl. Spec.	Cl. of	Plate and Illust'n No.
					St.	
					M.R.	
		PANEL, PRESSURIZATION (59Q2110) (Cont'd)				
28Y/9701165	DAMIC CON- TROLS LTD. DC22	Valve, air charging .....	2	--	C	QA20/927
28F/9428453	AGS1186/B	Washer, jointing .....	2	--	C	QA20/928
28W/9419454	SP10/C	Washer .....	4	--	C	QA20/929
28W/9419475	SP15/C	Washer .....	8	--	C	QA20/930
		Attachments for Panel Part No. Q2110				
28D/9353	AS1248/1-1/2C	Bolt .....	6	--	C	QA20/931
28M/1012015	AGS2001/C1/66	Nut .....	6	--	C	QA20/932
28W/9419402	SP13/C	Washer .....	6	--	C	QA20/933
10441	39Q2110	PIPE, PRESSURE AT BOTTOM CHARGING VALVE, 22D x 3/16" O/D x 11.0", GROUP	1	--	C	QA20/934
	43Q2110	PIPE, PRESSURE FROM RELIEF VALVE, .. TO BOTTOM CHARGING VALVE, STAR- BOARD, 22G x 1/4" O/D x 3'-6.0", GROUP	1	--	MR	QA20/935
	45Q2110	PIPE, PRESSURE, FROM RELIEF VALVE .. TO AIR CYLINDER, STARBOARD SIDE, 22G x 1/4" O/D x 2'.0", GROUP	1	--	MR	QA20/936
	47Q2110	PIPE, PRESSURE, BETWEEN AIR .....	1	--	MR	QA20/937
	55Q2110	PIPE, PRESSURE, FROM AIR CYLINDER, .. PORT SIDE, TO PRESSURISATION PANEL, 22G x 1/4" O/D x 12.0", GROUP	1	--	MR	QA20/938
	56Q2110	PIPE, TO FLEXIBLE HOSE JOINT, 22G x .. 1/4" O/D x 5'.0", GROUP	1	--	MR	QA20/957
	36Q2110	POINT, CHARGING, GROUP .....	1	--		QA20/939
		Spares for:-				
28F/12503	AGS1213/B	Bolt, banjo .....	1	--	C	QA20/940
28F/9128943	AGS1114/B	Sleeve, screwed .....	1	--	C	QA20/941
10440	37Q2110	Union, banjo .....	1	--	C	QA20/942
	DAMIC CONTROLS LTD.					
28Y/2203356	DC24	Valve, air charging (Mod. 2193) .....	1	--	C	QA20/943
28F/8014021	AGS1138/B	Washer, jointing .....	3	--	C	QA20/944
28U/5695	SP8/2	Rod, tension .....	4	--	C	QA20/945
28U/13999	AS2427	Trunnion, R.H. ....	4	--	C	QA20/946
28U/13997	AS2428	Trunnion, L.H. ....	4	--	C	QA20/947
	AS4561/1	Tab, locking .....	4	--	C	QA20/948

SERVICES  
AIR CONDITIONING

Ref. No.	Part No.	Description	No. off	Mati. Spec.	Cl. of	Plate and Illust'n No.
					St. M.R.	
		1 2 3 4				
PRESSURIZATION INSTALLATION (Q2110) (Cont'd)						
10447	24Q2110	UNION, TEE, GROUP .....	2	—	C	QA20/949
	41Q2110	VALVE, RELIEF, GROUP .....	1	—		QA20/950
		Spares for:—				
28D/1011019	A25/8C	Bolt .....	2	—	C	QA20/951
	42Q2110	Block, support .....	1	—		QA20/952
28M/1012015	AGS2001/C1/66	Nut, stiff .....	2	—	C	QA20/953
	DUNLOP					
	ACM23256	Valve, relief .....	1	—		QA20/954
28W/9419475	SP15/C	Washer .....	2	—	C	QA20/955
12097	21Q1872	VALVE, CHARGING, GROUP .....	1	—	C	QA20/956
		Spares for:—				
	SCHRADER 8911	Valve, charging, type 8911 .....	1	—		
28F/8014021	AGS1138/B	Washer, jointing .....	2	—	C	QA20/958
28F/9128943	AGS1114/B	Sleeve, screwed .....	1	—	C	
PRESSURISATION PIPE RUN IN REAR PORTION, FOR AIRBORNE EQUIPMENT COOLANT TANK (1Q2117)						
		Spares for:—				
28F/9129085	AGS1102/A	Body, cone union .....	1	—	C	QA20/959
28F/1013401	AGS1107/A	Body, cone union .....	1	—	C	QA20/960
26FP/2453	1SS4525	Clip, pipe .....	11	—	C	QA20/961
26FP/2721	2SS4525	Clip, pipe .....	2	—	C	QA20/962
	12V6356	MOUNTING BRACKET, CLIP, GROUP .....	1	—		QA20/963
10470	6Q2117	PIPE, FROM TANK, BETWEEN FORMERS . 428"—487" x 22G x 3/16" o/d x 5'-6" LONG, GROUP	1	—	C	QA20/964
	3Q2117	PIPE, FROM TANK, BETWEEN FORMERS . 472.5" 71.25" x 22G x 3/16" o/d x 6'-6" LONG, GROUP	1	—	MR	QA20/965
10469	4Q2117	PIPE, FROM TANK, BETWEEN FORMERS . 46.75"—71.25" x 22G x 1/4" o/d x 3' 0" LONG, GROUP	1	—	C	QA20/966
VARIABLE COLD AIR INTAKE TO WING ANTI-ICING INJECTOR, PORT (1F110388 Pre-Mod. 514, Mod. 360) (1F11035, Mod. 514) STARBOARD (2F10588, Mod. 360)						
		Spares for:—				
5W/4511920	ROTAX LTD. A/0220	Actuator .....	1	—	A	QA16/967
	4F11035	Angle, port .....	1	—		QA16a/968
	5F10588	Angle, port (Pre-Mod. 514) .....	1	—		QA16a/969

SERVICES  
AIR CONDITIONING

Ref. No.	Part No.	Description	No. off	Matl. Spec.	Cl. of St.	Plate and Illust'n No.
					M.R.	
		1 2 3 4				
		VARIABLE COLD AIR INTAKE TO WING ANTI-ICING INJECTOR, 1F10588 AND 1F11035 PORT, 2F10588 STARBOARD (Cont'd)				
21577	9F10588	Angle, port .....	1	—		QA16a/970
21563	11F10588	Angle, port .....	1	—	C	QA16a/971
21497	13F10588	Angle, port (Pre-Mod. 514) .....	1	—	C	
21567	56F10588	Angle, port (Mod. 514) .....	1	—	C	QA16a/972
21496	15F10588	Angle, port (Pre-Mod. 514) .....	1	—	C	
	58F10588	Angle, port (Mod. 514) .....	1	—	C	QA16a/973
	17F10588	Angle, port (Pre-Mod. 514) .....	1	—		QA16a/974
21559	19F10588	Angle, port (Pre-Mod. 514) .....	1	—	C	QA16a/975
	20F11035	Angle, cover, port (Mod. 514) .....	1	—		QA16a/976
	35F8553	Angle, port .....	1	—		QA16a/977
	50F10588	Angle, port .....	1	—		QA16a/978
	52F10588	Angle, port .....	1	—		QA16a/979
	54F10588	Angle, port .....	1	—		QA16a/980
21565	38F/10588	Angle, port and starboard (Pre-Mod. 514) ....	1	—	C	QA16a/981
21566	39F/10588	Angle, port and starboard (Pre-Mod. 514) ....	1	—	C	QA16a/982
	5F/11035	Angle, port (Mod. 514) .....	1	—		QA16a/982
	98F8553	Angle, port .....	1	—		QA16a/980
21560	20F10588	Angle, starboard .....	1	—	C	QA16a/983
21545	22F11035	Angle, starboard .....	1	—	C	QA16/984
	36F8553	Angle, starboard .....	1	—		QA16a/985
	44F10588	Angle, starboard .....	1	—		QA16a/986
21575	51F10588	Angle, starboard .....	1	—	C	QA16a/987
21576	53F10588	Angle, starboard .....	1	—	C	QA16a/988
21573	55F10588	Angle, starboard .....	1	—	C	QA16a/989
21564	57F10588	Angle, starboard .....	1	—	C	QA16a/990
21568	59F10588	Angle, starboard .....	1	—	C	QA16a/991
21562	60F10588	Angle, starboard .....	1	—	C	QA16a/992
	82F8553	ARM, LINK, CAM LEVER TO RAMP, ..... GROUP	1	—	MR	QA16/993
21557	1F10423	BRACKET, MOUNTING ACTUATOR, PORT, GROUP (Pre-Mod. 514)	1	—	C	QA16/994
	8F11035	BRACKET, MOUNTING ACTUATOR, PORT, GROUP (Mod. 514)	1	—		QA16/995
21558	2F10423	BRACKET, MOUNTING ACTUATOR, ..... STARBOARD, GROUP	1	—	C	QA16/996
		Spares for:—				
	7F8558	Boss .....	1	L65		
	9F8558	Boss .....	1	L65		
	15F8553	Bracket, 79.5", port .....	1	—		QA16a/997
	16F8553	Bracket, 79.5", starboard .....	2	—		QA16a/998
	17F8553	Bracket, hinge, channel, port .....	1	—		QA16a/999
	18F8553	Bracket, hinge, channel, starboard .....	1	—		QA16a/1000

SERVICES  
AIR CONDITIONING

Ref. No.	Part No.	Description	No. off	Matl. Spec.	Cl. of St.	Plate and Illust'n No.
					M.R.	
		1 2 3 4				
VARIABLE COLD AIR INTAKE TO WING ANTI-ICING INJECTOR, 1F10588, F11035 PORT AND 2F10588 STARBOARD (Cont'd)						
	19F8553	Bracket, centre, hinge rib, port .....	1	—		QA16a/1001
	20F8553	Bracket, centre, hinge rib, starboard .....	1	—		QA16a/1002
21555	31F10588	Bracket, intercostal, forward, port .....	1	—	C	QA16a/1003
21556	32F10588	Bracket, intercostal, forward, starboard .....	1	—	C	QA16a/1004
21553	33F10588	Bracket, intercostal, aft, port .....	1	—		QA16a/1005
21554	34F10588	Bracket, intercostal, aft, starboard .....	1	—		QA16a/1006
	37F10588	Bracket, port .....	1	L72		QA15/1007
	36F10588	Bracket, starboard .....	1	L72		QA15/1008
	45F10588	Bracket, starboard .....	1	—		QA16a/1009
	69F8553	Bracket, at diaphragm 27, port .....	1	—		QA16/1010
	70F8553	Bracket, at diaphragm 27, starboard .....	1	—		QA16/1011
	91F8553	Bracket, hinge channel, port .....	—	—		QA16a/1012
	103F8553	Bracket, starboard .....	1	—		QA15/1013
	104F8553	Bracket, port .....	—	—		QA15/1014
	105F8553	Bracket, port .....	1	L72		QA15/1015
	106F8553	Bracket, starboard .....	—	—		QA15/1016
	61F8553	Bush, distance, for shackle .....	1	—	MR	QA16/1017
1420	81F8553	CAM, LEVER OPERATING LINK ARM, .... FOR RAMP, GROUP	1	—	C	QA16/1018
28FP/2453	1SS3859	Clip, pipe, starboard .....	1	—	C	QA16a/1019
28E/20019	SP91/K	Clip, pipe .....	1	—	C	QA15/1020
	21SS2868	Clip, pipe .....	3	—	C	QA15/1021
	102F8553	Conduit, for capillary tube, forward, 22G x .. 1-3/4" o/d x 3' 6"	—	L56		QA15/1022
	107F8553	Conduit, for capillary tube, aft, 22G x .....	1	L56		QA15/1023
	23F10588	COVER AND RAMP, PORT, GROUP .....	1	—		QA16/1024
	24F10588	COVER AND RAMP, STARBOARD, .....	1	—		QA16/1025
		GROUP				
		Spares for:—				
7618	1F10599	COVER, PORT, GROUP .....	1	—	C	QA16a/1026
7619	2F10599	COVER, STARBOARD, GROUP .....	1	—	C	QA16a/1027
	929/10357	Angle .....	2	—		QA16a/1028
	152F8553	Angle .....	1	—		QA16a/1029
21571	18F11035	Angle, cover .....	1	—	C	QA16a/1030
21572	19F11035	Angle, cover .....	1	—	C	QA16a/1031
	17F11035	Angle .....	1	—		QA16a/1032
21550	3F8553	Bracket, hinged .....	2	—		QA16a/1033
	21F8553	Bracket, 95.67", port .....	1	—		QA16a/1034
	22F8553	Bracket, 95.67", starboard .....	1	—		QA16a/1035
	39F8554	Bracket, roller, port .....	2	—		QA16/1036
1510289	40F8554	Bracket, roller, starboard .....	2	—		QA16/1037
21551	28F10588	Channel, hinged, port .....	1	—	C	QA16a/1038
21552	29F10588	Channel, hinged, starboard .....	1	—	C	QA16a/1039

SERVICES  
AIR CONDITIONING

Ref. No.	Part No.	Description	No. off	Matl. Spec.	Cl. of	Plate
					Stc.	and
		1 2 3 4			M.R.	Illust'n No.
		COVER AND RAMP, PORT AND STARBOARD (23-24F10588) (Cont'd)				
7616	1F10600	RAMP, HINGED, PORT, GROUP .....	1	-	C	QA16/1040
7617	2F10600	RAMP, HINGED, STB'D., GROUP .....	1	-	C	QA16/1041
1418	43F8554	Spares for:- ARM, HINGE, GROUP .....	2	-	C	QA16/1042
	BSS1131/030504	Consisting of:- Bush, "Oilite" .....	1	-		
	43aF8554	Hinge .....	1	-		
	29F10600	ANGLE, ATTACHMENT ACTUATOR, . GROUP, PORT	1	-		QA16/1043
	30F10600	ANGLE, ATTACHMENT ACTUATOR, . GROUP, STARBOARD	1	-		QA16/1044
	31F10600	ANGLE ATTACHMENT, ACTUATOR, . GROUP, PORT	1	-	-	QA16/1045
	32F10600	ANGLE, ATTACHMENT, ACTUATOR, . GROUP, STARBOARD	1	-	-	QA16/1046
	33F10600	ANGLE ATTACHMENT, GROUP, ..... PORT	1	-	-	QA16/1047
	34F10600	ANGLE, ATTACHMENT, GROUP, ..... STARBOARD	1	-	-	QA16/1048
5030	21F8554	Seal (Imatex tubular, KO.118) 3/8" dia. . x flange .625"	1	-	C	QA16/1049
26FP/13003	4SS3158	Screw .....	7	-	C	QA16/1050
	4.O.3520	ROLLER, FOR RAMP, GROUP .....	1	-	MR	QA16/1051
		Consisting of:-				
	4a.O.3520	Bush, .37" dia. x 3" long .....	2	-		
	4g.O.3520	Roller, (GACO), rubber, .56" dia. x 176 .	2	-		
	23F8553	Stiffener, top hat, port .....	1	-	-	QA16a/1052
	24F8553	Stiffener, top hat, starboard .....	1	-	-	QA16a/1053
21539	26F8553	Stiffener, for roller, port and starboard ....	1	-	-	QA16a/1054
21541	26F8553	Stiffener, for roller, port and starboard ....	1	-	-	QA16a/1055
5CZ/4337596	TEDDINGTON FDF/A/3113	Control, inching (Mod. 940) .....	1	-	A	QA16/1056
21542	1F10598	DIFFUSER, PORT, GROUP (Pre-Mod. 2323) .	1	-	MR	QA16/1057
1510522	1F12955	DIFFUSER, PORT, GROUP (Mod. 2323) ....	1	-		
21543	2F10598	DIFFUSER, STARBOARD, GROUP .....	1	-	MR	QA16/1058
		(Pre-Mod. 2323)				
1510523	2F12955	DIFFUSER, STARBOARD, GROUP .....	1	-		
		(Mod. 2323)				
	35F11035	Door .....	1	L72	C	QA16a/1059

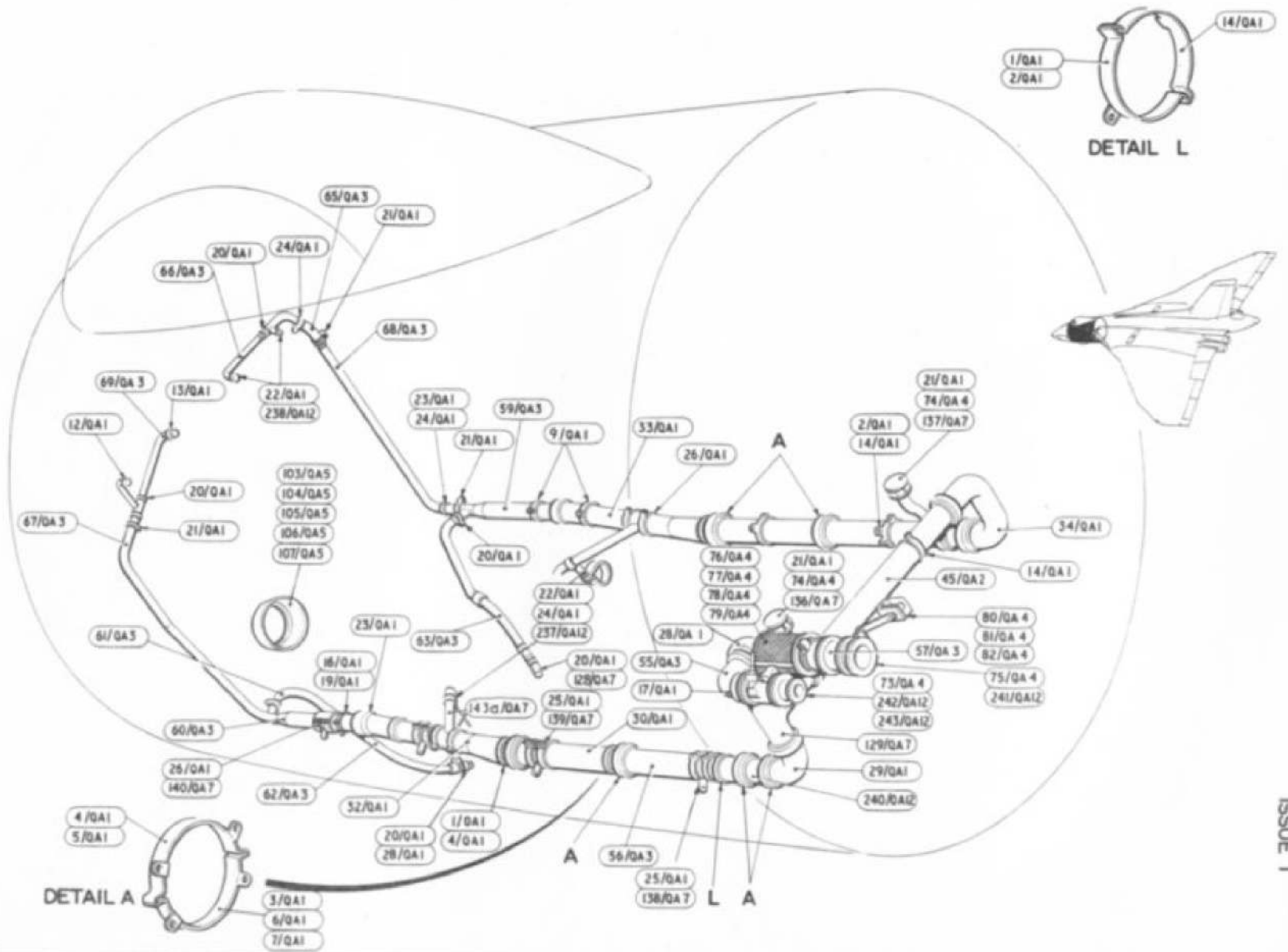
VULCAN Mk. 2

SERVICES  
AIR CONDITIONING

Page QA. 59

Ref. No.	Part No.	Description	No. off	Matl. Spec.	Cl. of	Plate and Illust'n No.
					St. M.R.	
		1 2 3 4				
		VARIABLE COLD AIR INTAKE TO WING ANTI-ICING INJECTOR, 1F10588, F11035 PORT AND 2F10588 STARBOARD (Cont'd.)				
	79F8553	Gasket, for diffuser, 1/16" x 5" x 11" . . . . .	1	DTD378A	MR	QA16/1060
	80F8553	Gasket, for diffuser, 1/16" x 7-1/2" x 7-1/2" . . . . .	1	DTD378A	MR	QA16/1061
	2F11035	Intercostal . . . . .	1	—	—	QA16a/1062
21569	26F10588	Intercostal, port . . . . .	1	—	C	QA16a/1063
21570	43F10588	Intercostal, starboard . . . . .	1	—	C	QA16a/1064
	59F8553	Link, shackle . . . . .	1	DTD364B	MR	QA16/1065
	1SS4098	Pin, close tolerance . . . . .	1	—	MR	QA16/1066
	108F8553	Plate, mounting, inching control . . . . .	1	—	—	QA16/1067
	109F8553	Plate, mounting, inching control . . . . .	1	—	—	QA16/1067
21546	21F10588	Stringer, tapered, port . . . . .	1	—	C	QA16/1069
21547	22F10588	Stringer, tapered, starboard . . . . .	1	—	C	QA16/1070
21548	40F10588	Stiffener, hinge, port . . . . .	1	—	C	QA16a/1071
21549	41F10588	Stiffener, hinge, starboard . . . . .	1	—	C	QA16a/1072
	60F8553	Tube, bearing, distance . . . . .	1	BSS249	MR	QA16/1073
	62F8553	Washer, special . . . . .	1	L1	MR	QA16/1074

AIR CONDITIONING SYSTEM  
CREWS NACELLE

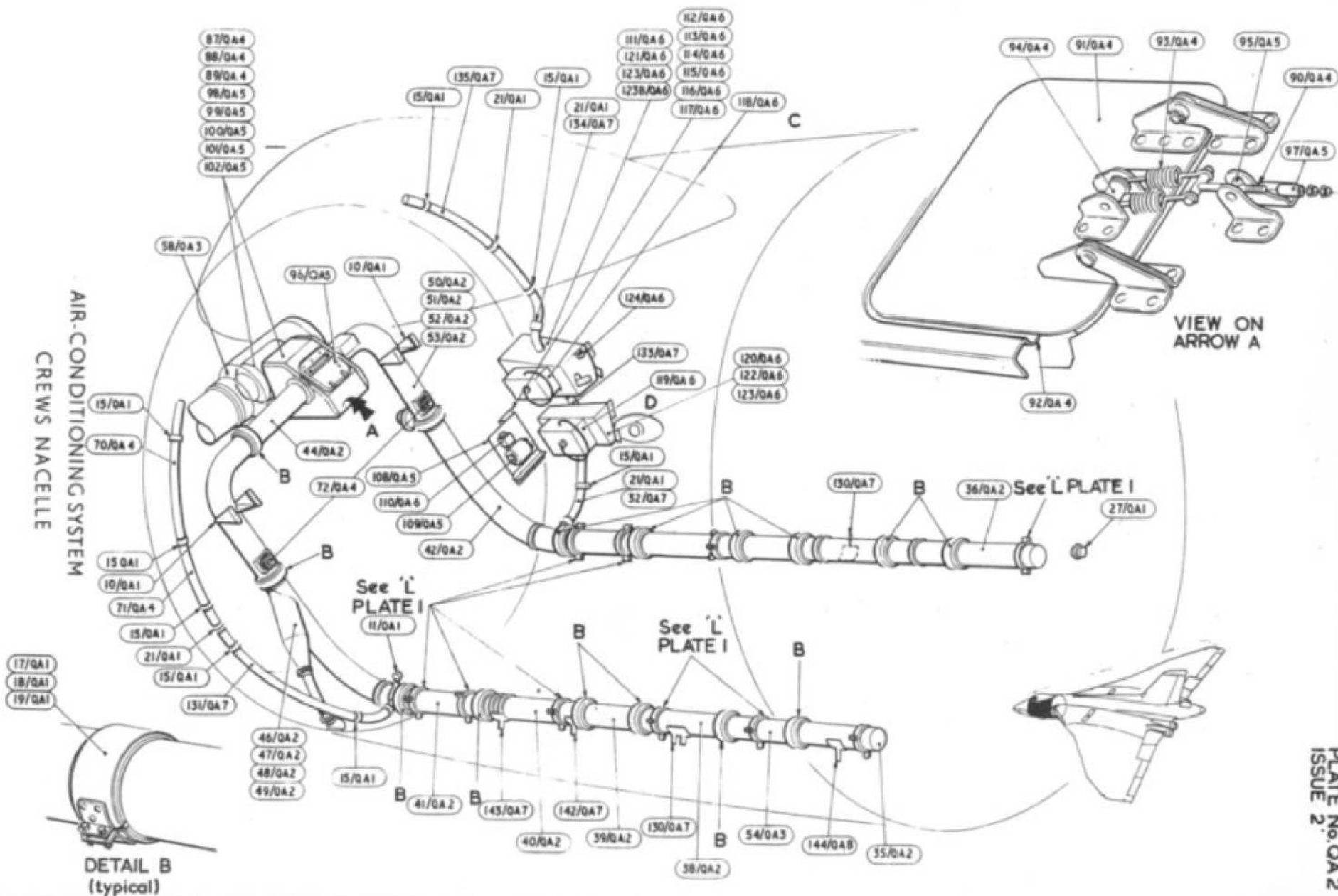


RESTRICTED

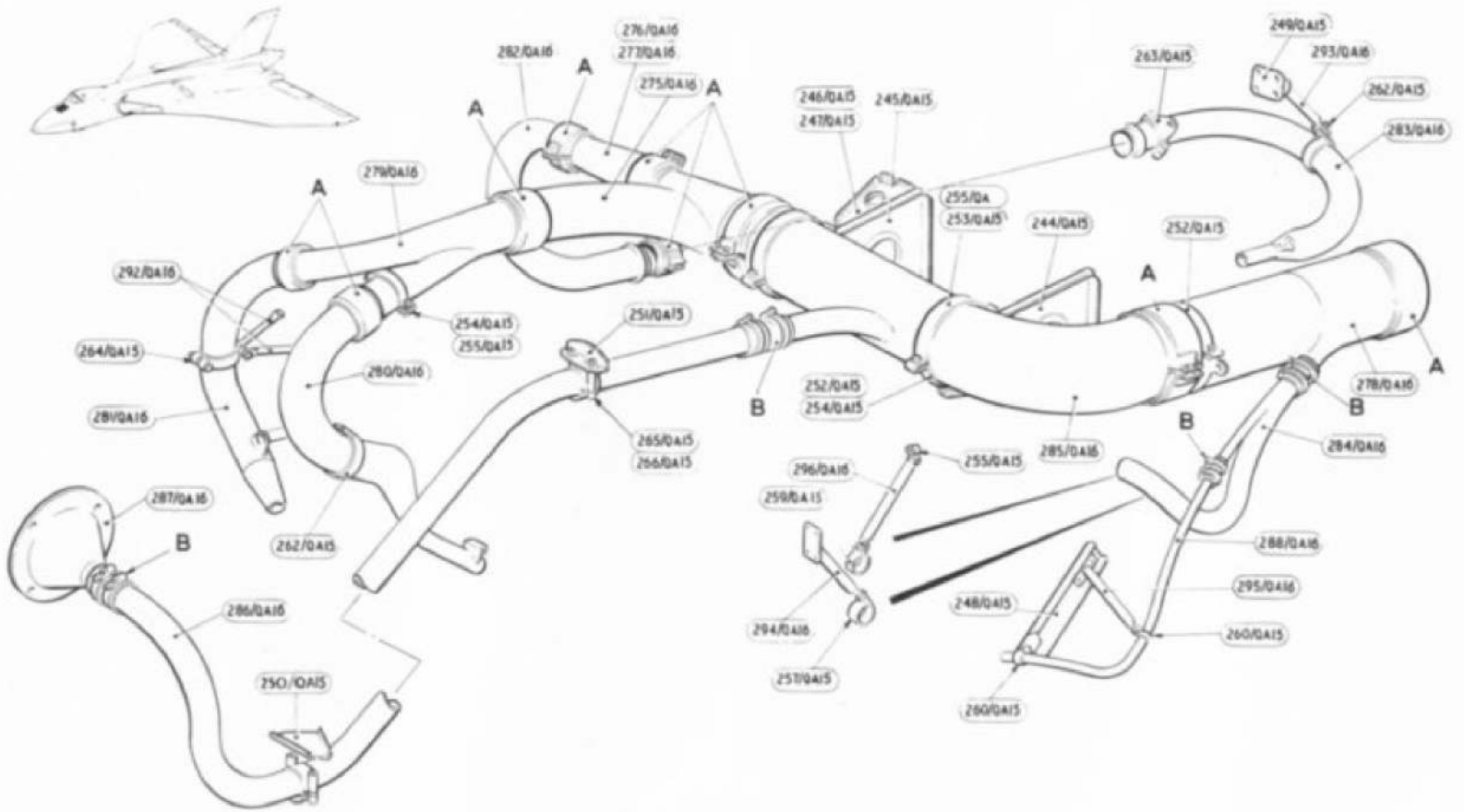
RESTRICTED

RESTRICTED

AIR-CONDITIONING SYSTEM  
CREWS NACELLE



RESTRICTED



AIR CONDITIONING  
COOLING-DUCTING RADOME

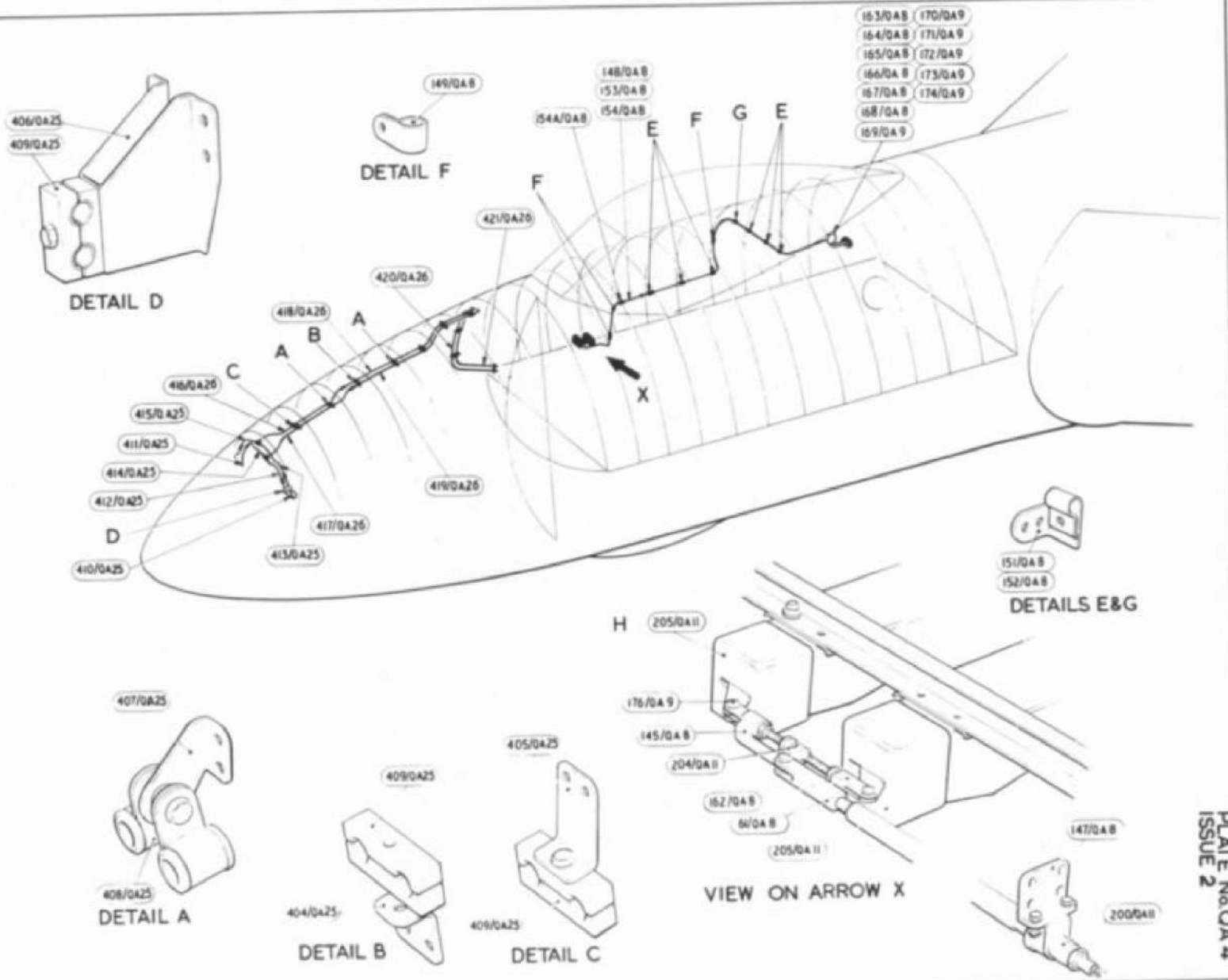
RESTRICTED

RESTRICTED

B	
272/DA16	62" DIA DUCT
273/DA16	1.125, 1.25 DIA DUCT
274/DA16	1.50 DIA DUCT
289/DA16	2.00 DIA DUCT
290/DA16	1.375 DIA DUCT
291/DA16	1.75 DIA DUCT

A	
271/DA16	2.38 DIA DUCT
270/DA16	3.125 DIA DUCT
267/DA15	3.50 DIA DUCT
268/DA15	4.75 DIA DUCT
269/DA16	5.00 DIA DUCT

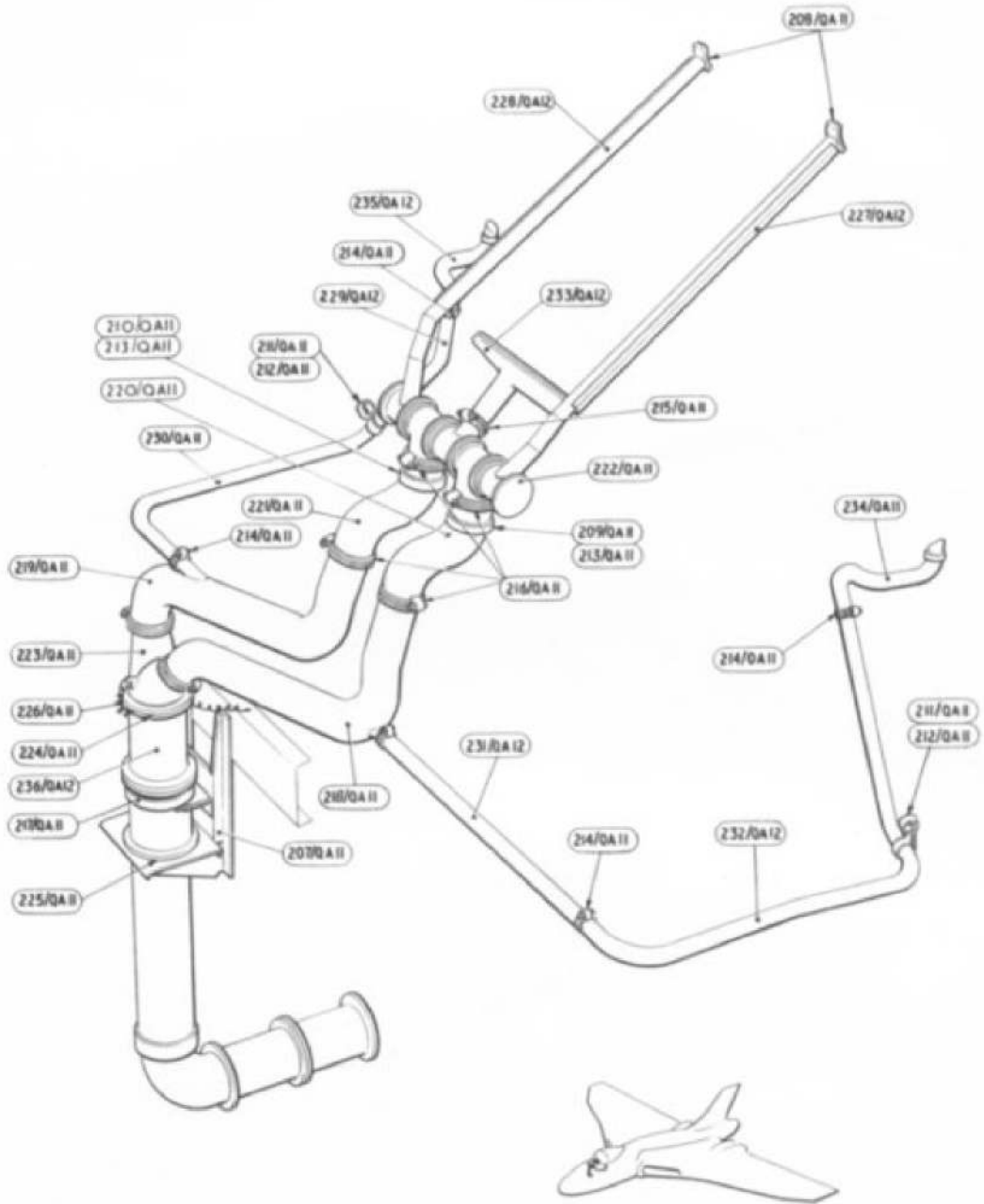
AIR CONDITIONING  
PIPING FOR PRESSURE CONTROL IN NOSE



RESTRICTED

RESTRICTED

PLATE No. 0A 4  
ISSUE 2



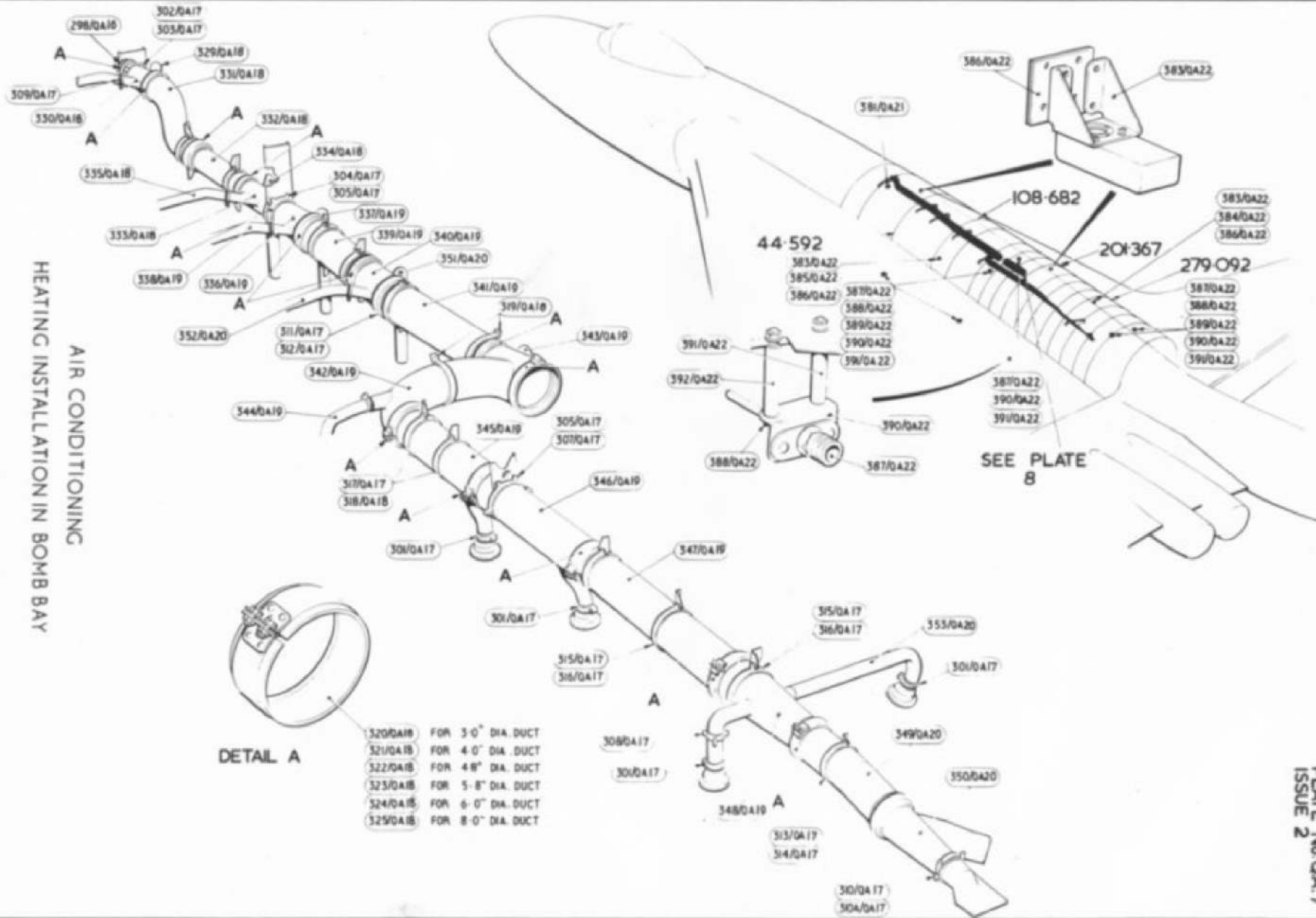
AIR CONDITIONING  
WINDSCREEN DE-MISTING SYSTEM

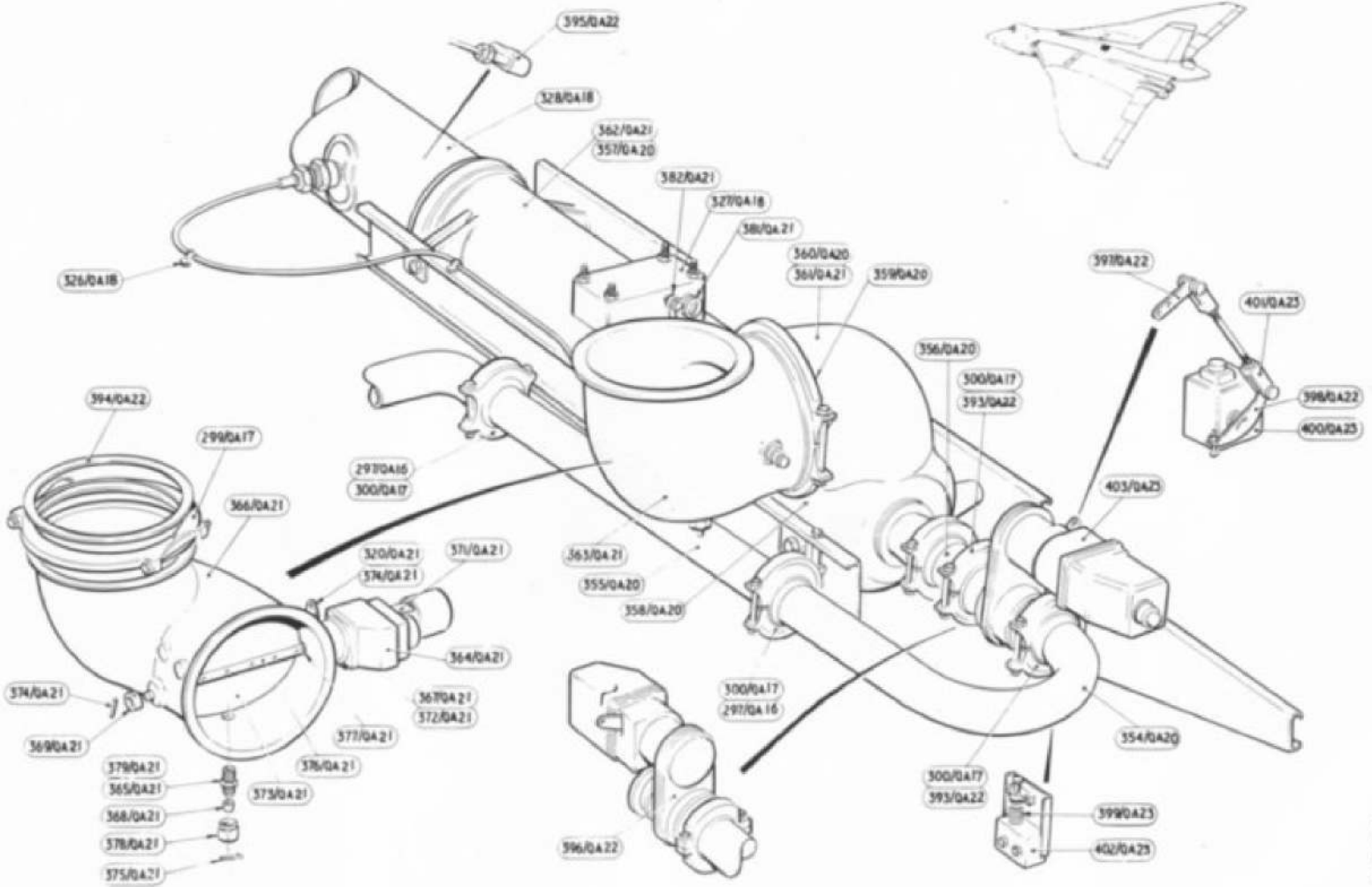
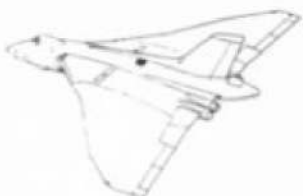


AIR CONDITIONING  
 HEATING INSTALLATION IN BOMB BAY

RESTRICTED

RESTRICTED



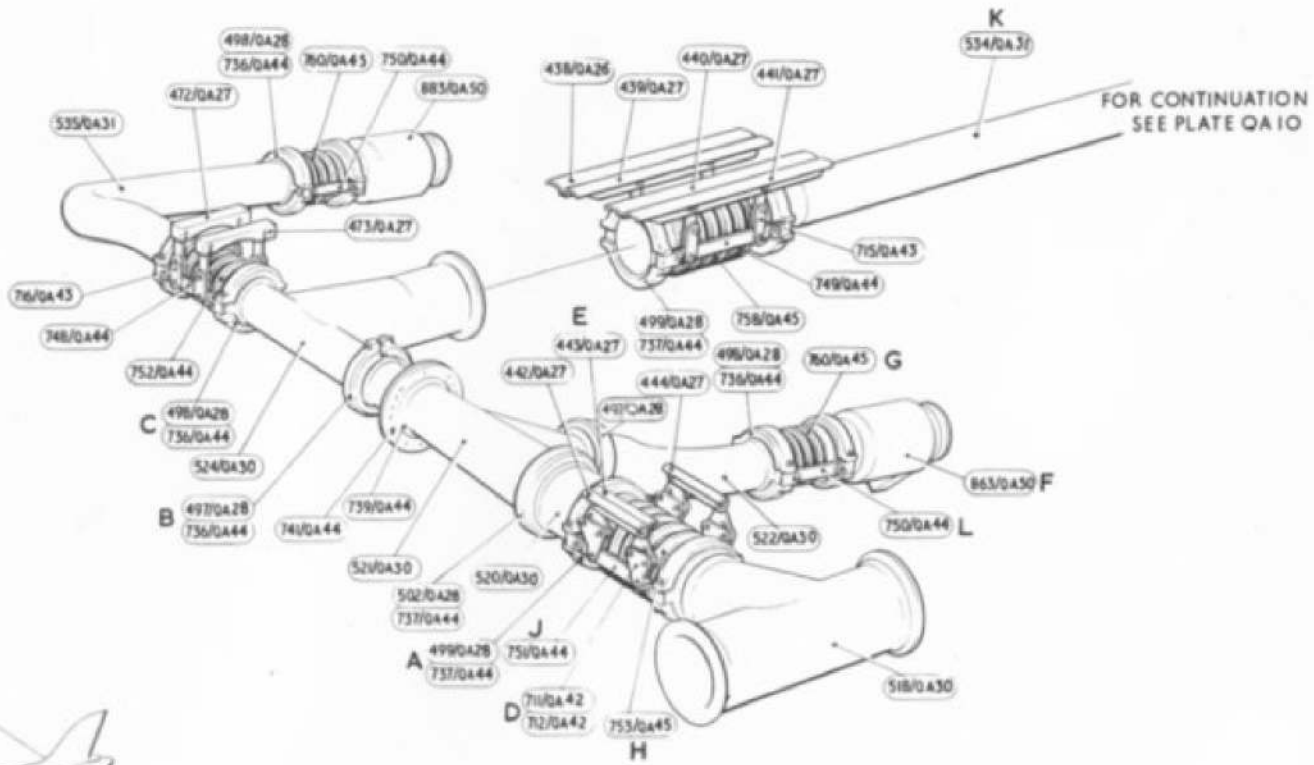


AIR CONDITIONING  
HEATING INSTALLATION IN BOMB BAY

RESTRICTED

RESTRICTED

AIR CONDITIONING  
 FUSELAGE-CENTRE PORTION

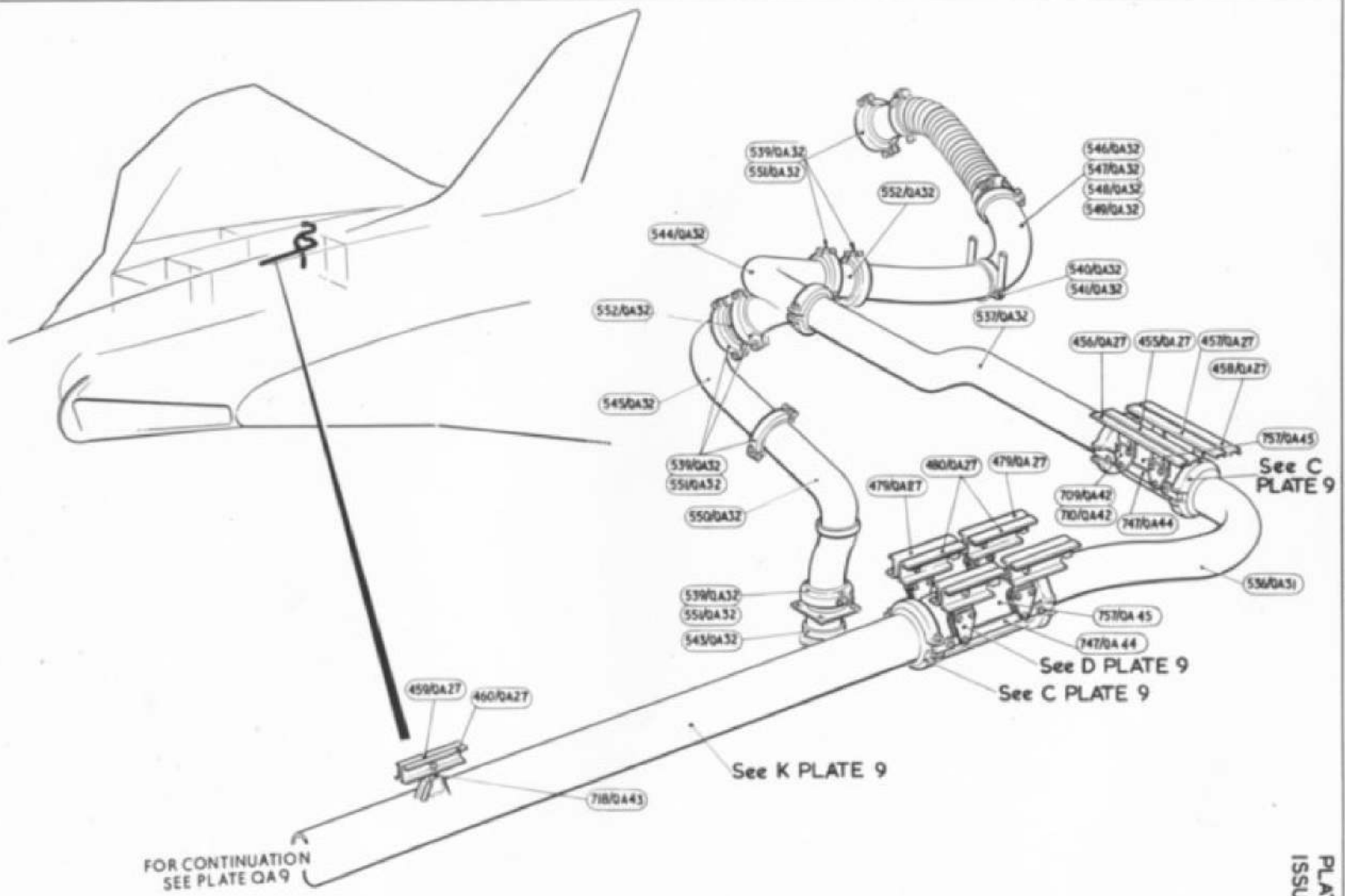


RESTRICTED

RESTRICTED

AIR CONDITIONING  
FUSELAGE-CENTRE PORTION

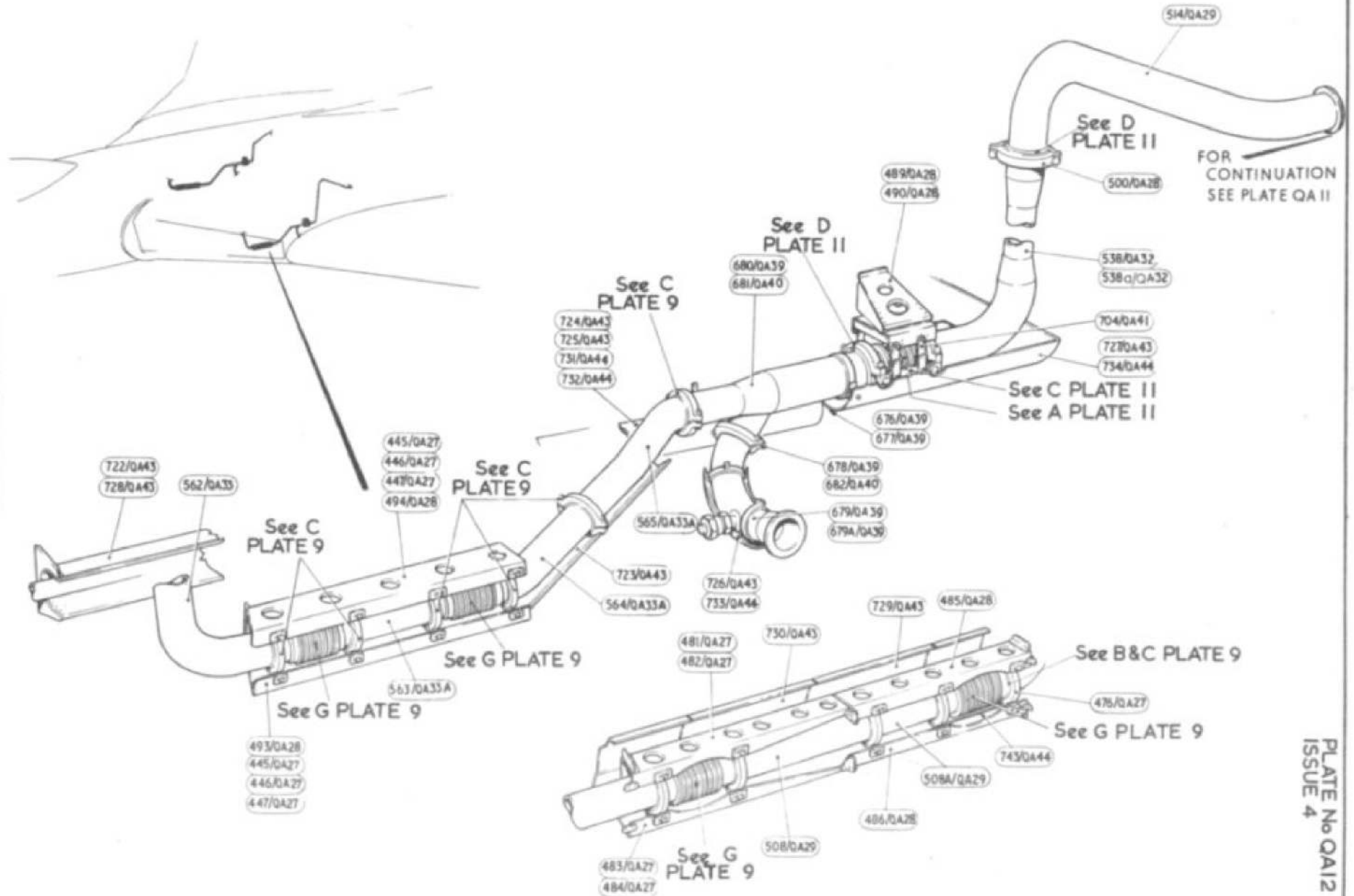
RESTRICTED



RESTRICTED

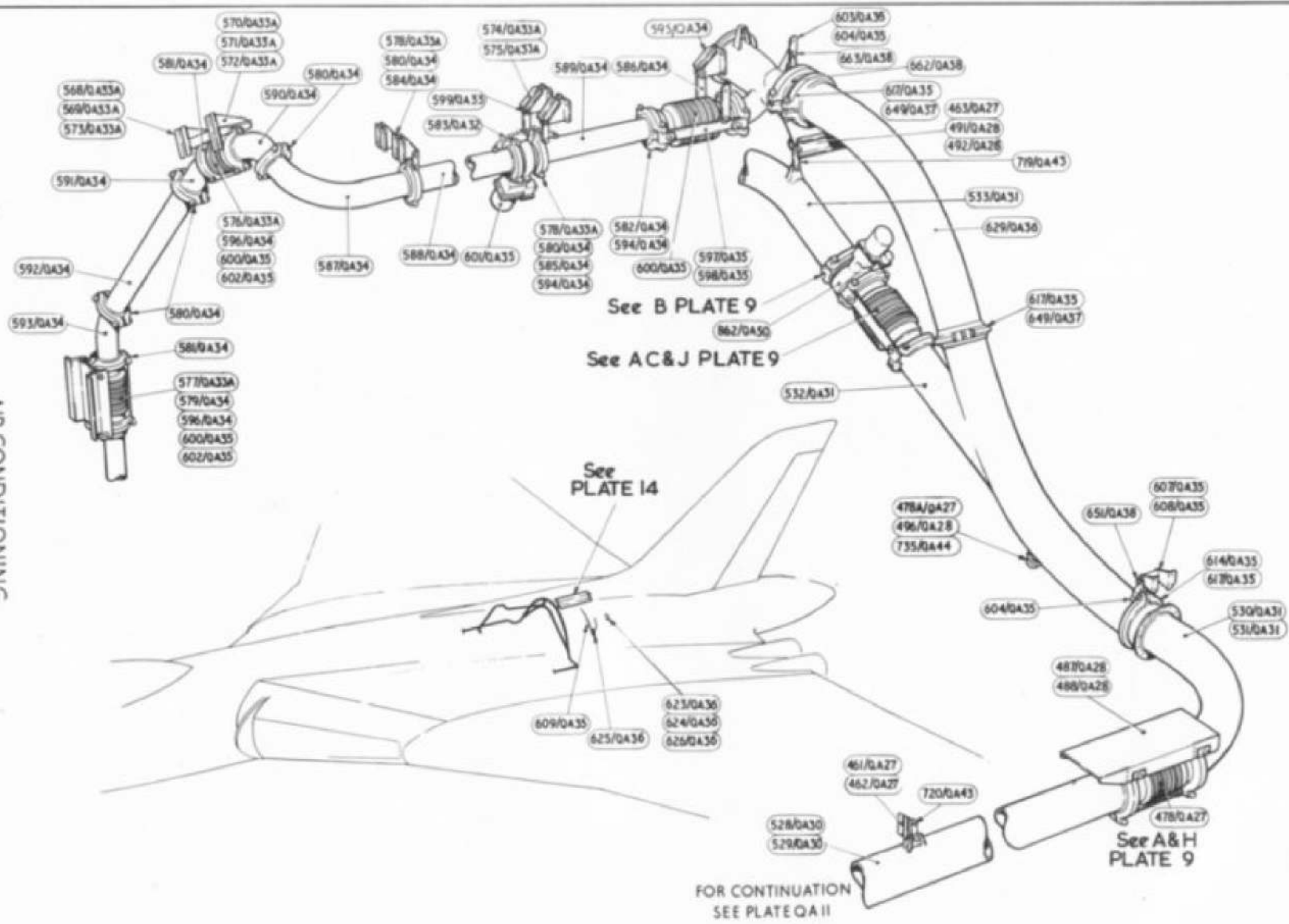


AIR CONDITIONING  
 PRESSURISATION & ANTI-ICING FUSELAGE-  
 CENTRE PORTION



RESTRICTED

PLATE No QA 13  
ISSUE 3



AIR CONDITIONING  
PRESSURISATION & ANTI-ICING  
FUSELAGE-CENTRE PORTION

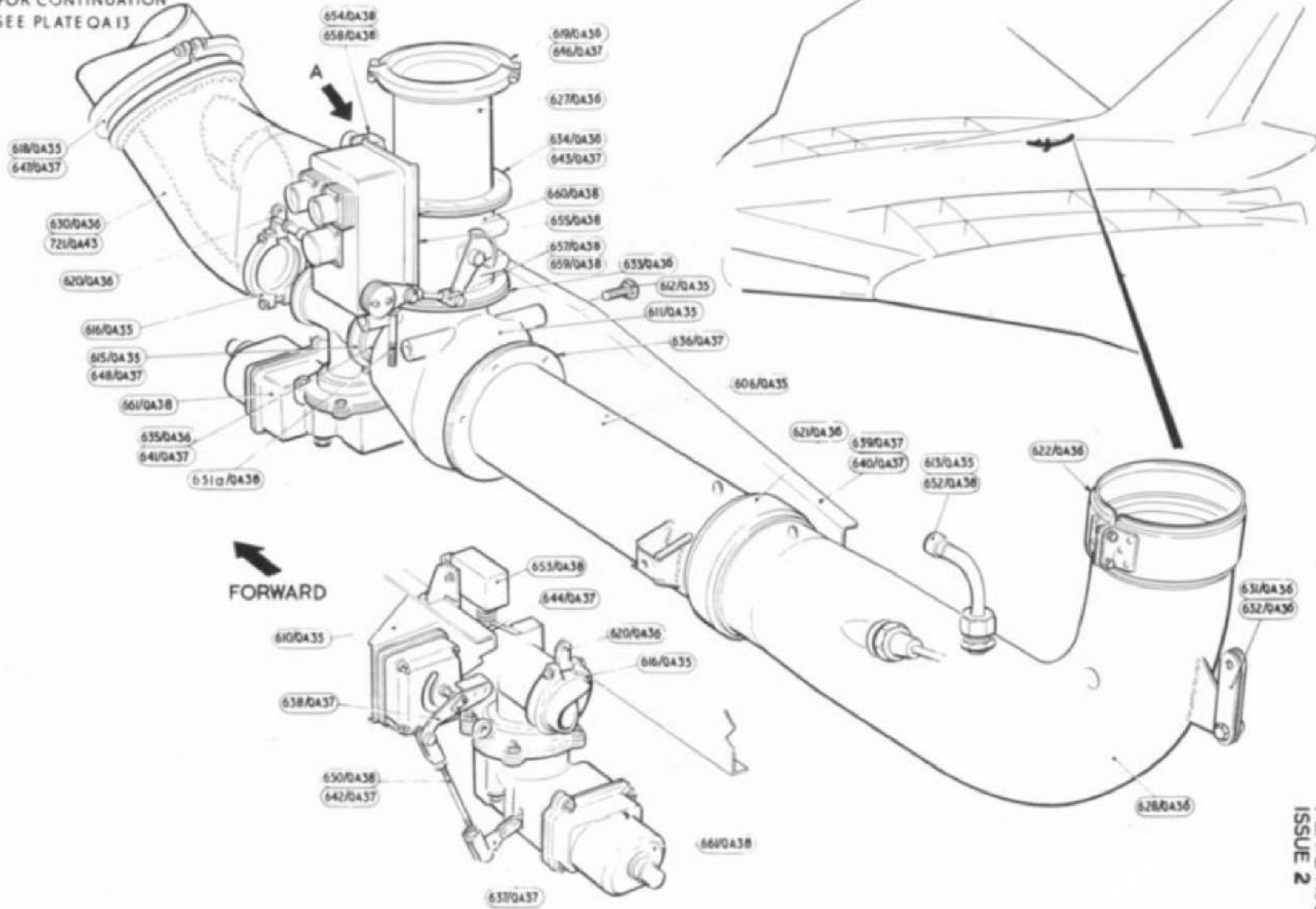
RESTRICTED

FOR CONTINUATION  
SEE PLATE QA 11

FOR CONTINUATION  
SEE PLATE OA 13

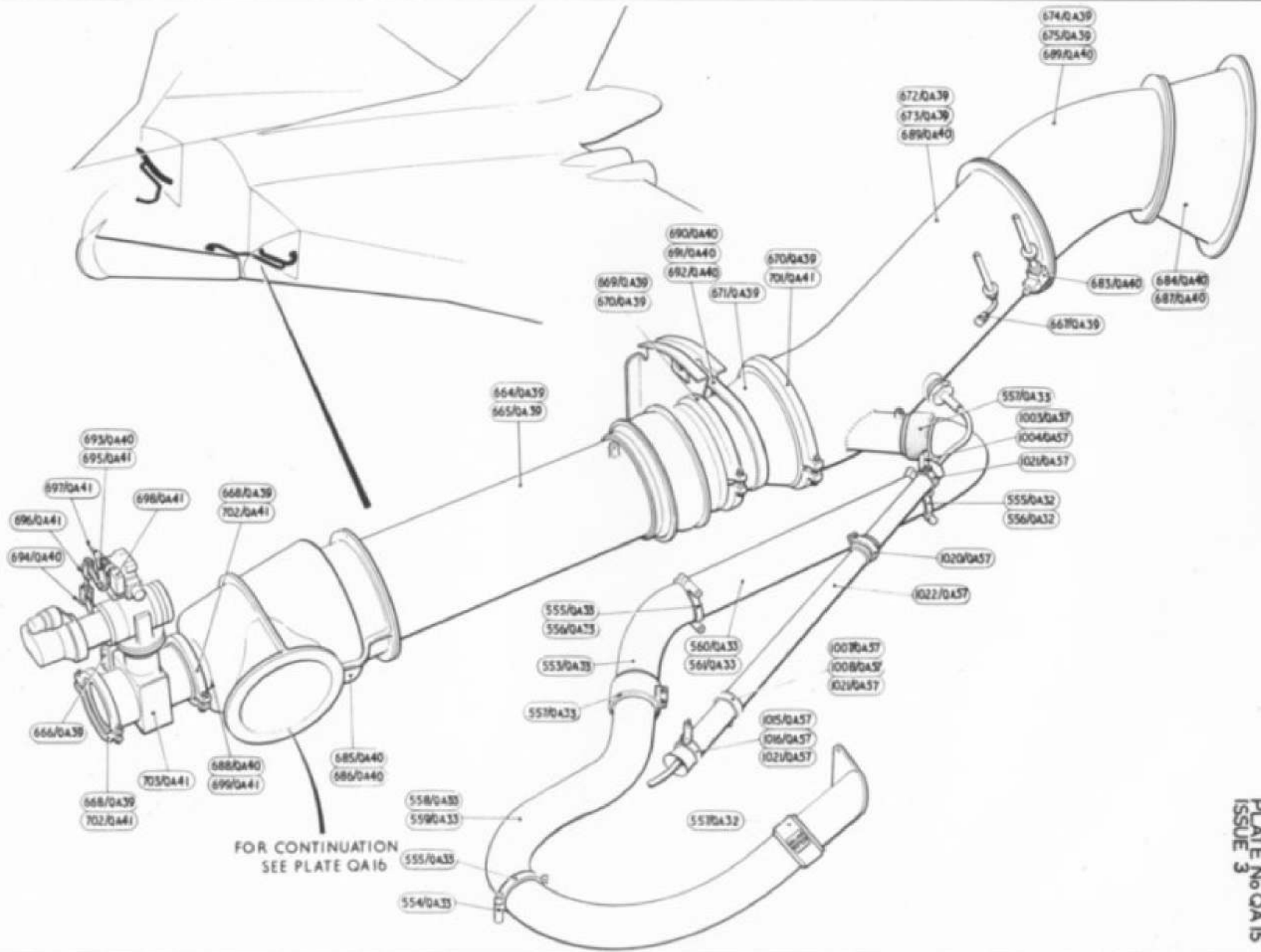
AIR CONDITIONING  
INJECTOR FIN ANTI-ICING IN BOMB BAY

RESTRICTED



RESTRICTED

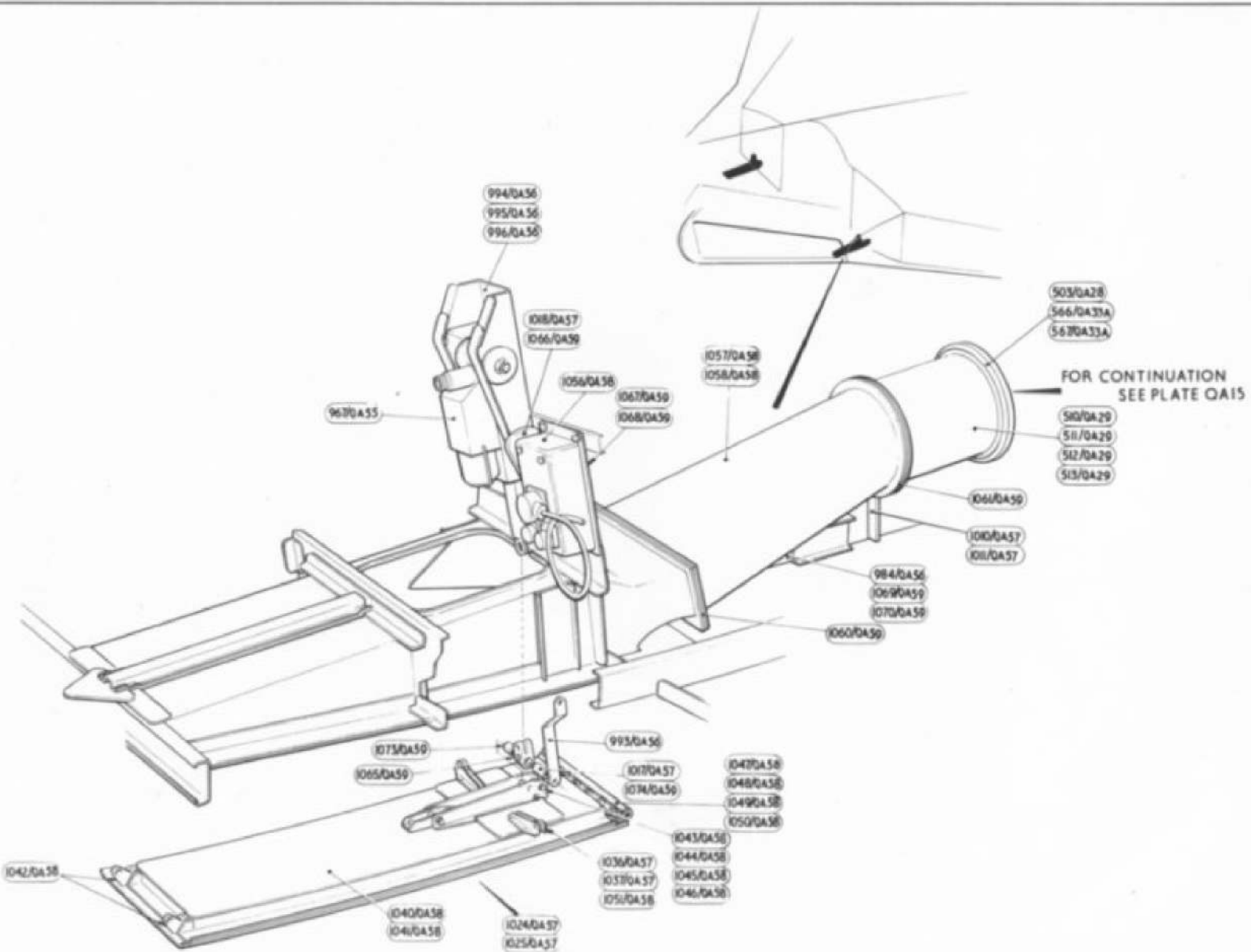
AIR CONDITIONING  
INJECTOR WING PORT & STARBOARD



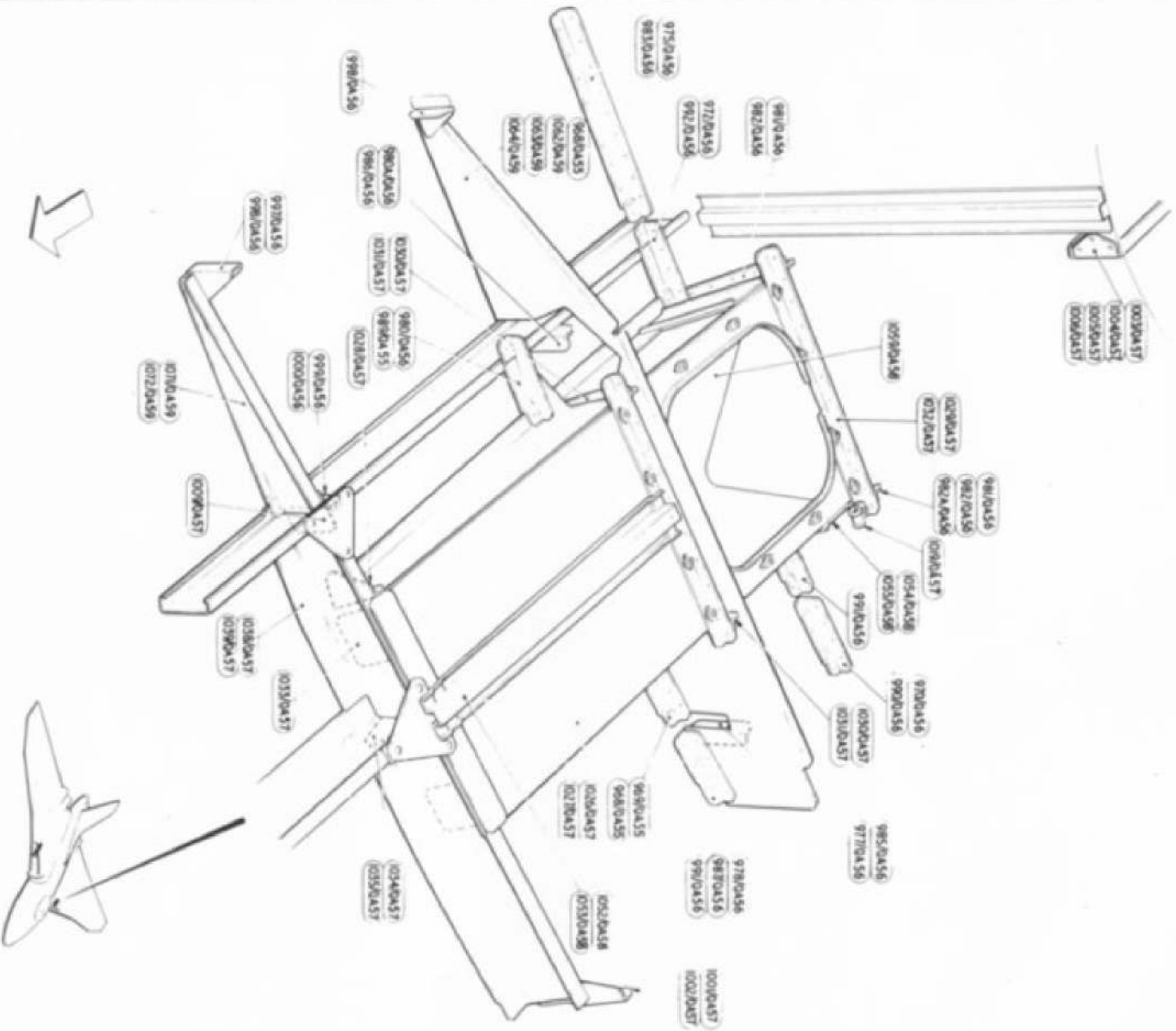
FOR CONTINUATION  
SEE PLATE QA16

RESTRICTED

RESTRICTED



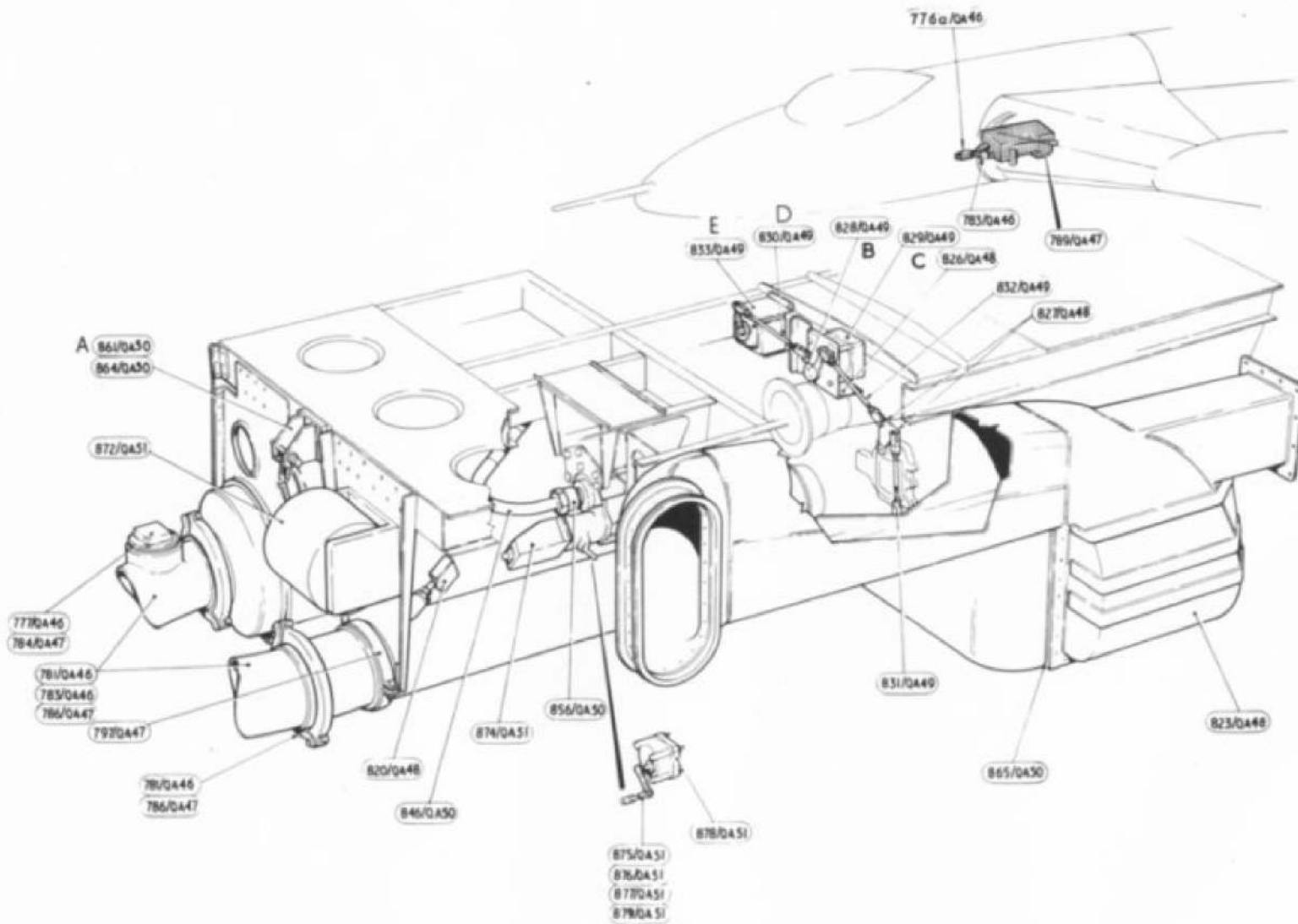
AIR CONDITIONING  
VARIABLE COLD AIR INTAKE TOWING ANTI-ICING  
INJECTOR PORT & STARBOARD



AIR CONDITIONING  
VARIABLE COLD AIR INTAKE STRUCTURE



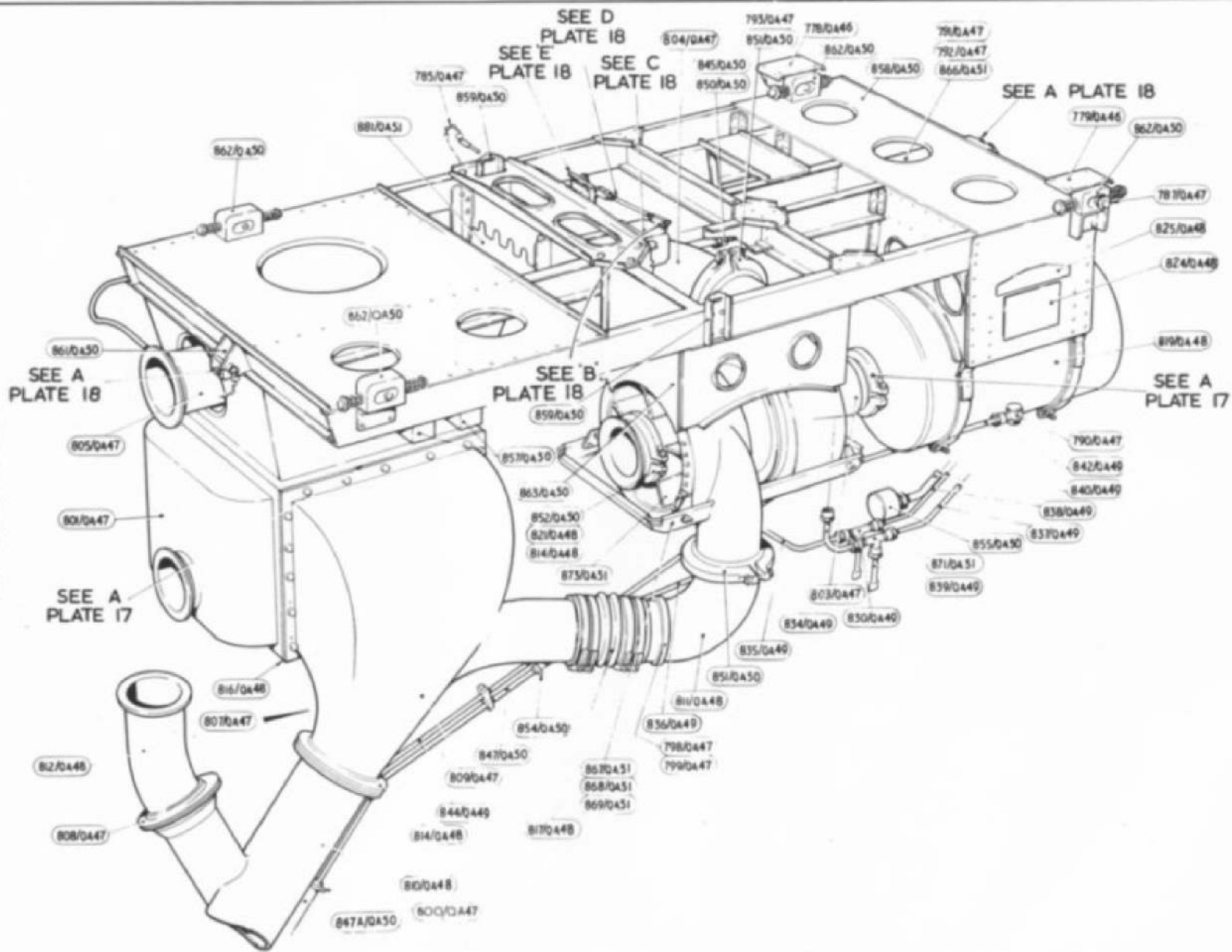
AIR CONDITIONING  
NOSEWHEEL BAY



RESTRICTED

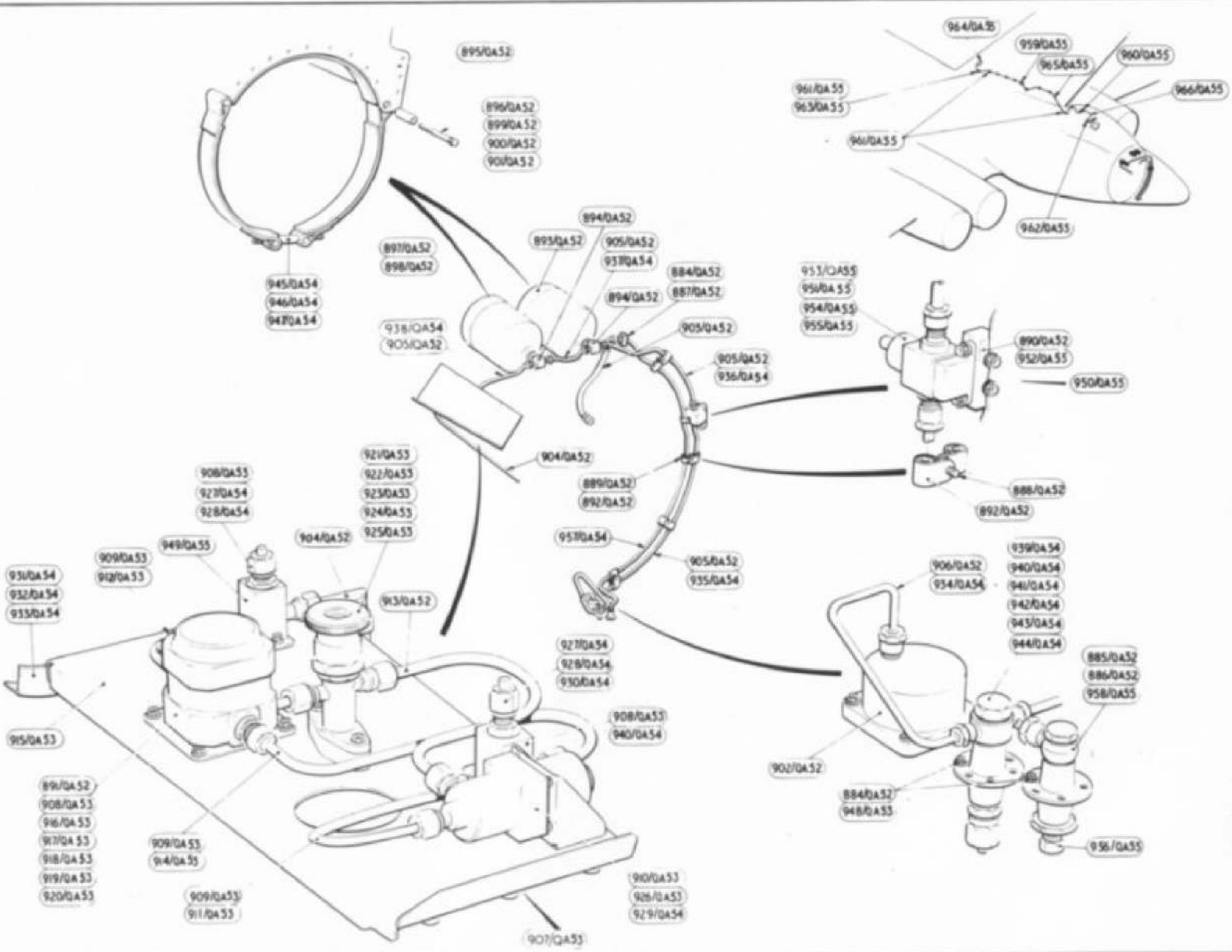
RESTRICTED

AIR CONDITIONING  
UNIT CABIN



RESTRICTED

RESTRICTED



AIR CONDITIONING  
PRESSURISATION PANEL INSTALLATION

This file was downloaded  
from the RTFM Library.

Link: [www.scottbouch.com/rtfm](http://www.scottbouch.com/rtfm)

Please see site for usage terms,  
and more aircraft documents.

