

SERVICES

COOLING SYSTEM, POWER UNITS AND RADAR EQUIPMENT

Ref. No.	Part No.	Description	No. off	Matl. Spec.	Cl. of St.	Plate and Illust'n No.
					M.R.	
1 2 3 4						
COOLING SYSTEM, POWER UNITS AND RADAR EQUIPMENT						
Spares for:—						
COOLING SYSTEM FOR INBOARD AILERON A.C. POWER UNIT, PORT AND STARBOARD (1 & 2Z9787)						
Spares for:—						
28E/9129562 8625	3AGS605 6Z9788	Clip, hose	4	—	C	QC3/1
	DUNLOP	Cover, inlet, at power unit	1	L54 & L59	C	QC3/2
8632	DAS383/32/3	Hose, coupling, 2" i/d x 3" long	2	—	C	QC3/3
26FP/13270	5SS1979	Lead, bonding	1	—	C	QC3/4
8626	7Z9787	Pipe, 2" o/d from air intake, port	1	L54	C	QC3/5
8627	8Z9787	Pipe, 2" o/d from air intake, starboard	1	L54	C	QC3/6
COOLING SYSTEM FOR OUTBOARD AILERON A.C. POWER UNIT MOTOR, PORT AND STARBOARD (1 & 2Z9788)						
Spares for:—						
28E/9129562 8625	3AGS605 6Z9788	Clip, hose	4	—	C	QC3/7
	DUNLOP	Cover, inlet, at power unit	1	L54 & L59	C	QC3/8
8632	DAS383/32/3	Hose, coupling, 2" i/d x 3" long	2	—	C	QC3/9
8624	5Z9788	Pipe, 2" o/d between flush intake and .. inlet cover, port	1	L54	C	QC3/10
8623	7Z9788	Pipe, 2" o/d between flush intake and .. inlet cover, starboard	1	L54	C	QC3/11
COOLING PIPING FOR SCANNER (1Z9320)						
Spares for:—						
	8Z9320	BRACKET, STEADY, GROUP	1	—		QC1/12
28E/7102120	SP91/L KING A/C C4370/E 1-3/4" -2"	Clip, hose	8	—		QC1/13
	4Z7648	Clamp, for pipe	6	—		QC1/14
	12Z9320	Clamp, half	2	—	MR	QC1/15
	DUNLOP	Coupling, flanged	4	DTD410	MR	
10422 9347	DAS393/32/2.3 13Z9320	Hose, coupling	3	Rubber		QC1/16
		Gasket	4	DTD762	C	QC1/18
10424	4Z9320	MANIFOLD INLET, GROUP	1	—	C	QC1/19
13460	2Z9320	PIECE, "Y", GROUP	1	—	C	QC1/20
10425	7Z9320	Piece, connecting	1	—	C	QC1/21
10426	3Z9320	PIPE, INLET, LOWER, GROUP	1	—	C	QC1/22
10427	6Z9320	PIPE, OUTLET, LOWER, GROUP	1	—	C	QC1/23
	5Z9320	PIPE, OUTLET, UPPER, GROUP	1	—	MR	QC1/24
	DUNLOP DAS393/32/2.2	Hose, coupling	1	—		QC1/17

COOLING SYSTEM, POWER UNITS AND RADAR EQUIPMENT

Ref. No.	Part No.	Description	No. off	Matl. Spec.	Cl. of St.	Plate and Illust'n No.
					M.R.	
		1 2 3 4				
28F/4051839	AS5403 TEDDINGTON FMP/A/5091	COOLING PIPING FOR SCANNER (1Z9320) (Cont'd)				
		Ring, sealing	6	—	C	QC1/25
		Valve, hot air	1	—		QC1/26
		COOLING SYSTEM RUDDER POWER UNITS (1Z9330)				
		Spares for:—				
28E/2236061 28E/7102120 28E/4710971	11SS4214 SP91/A SP91/L SP91/N	Clip, at making up piece	2	—		QC3/27
		Clip, hose	4	—	C	QC3/28
		Clip, hose	9	—	C	QC3/29
		Clip, hose	2	—	C	QC3/30
9007	3SS3859	CLIP FOR DRAIN PIPE, GROUP	2	—	C	QC3/31
	2Z9330 14Z7450 8Z7450	Duct, from N.A.C.A. intake to couplings ...	1	—		QC3/32
		Duct, from mounting to hose	1	—		QC3/33
		Hose, special (Dunlop Silicone) with bellows	2	Rubber	MR	QC3/34
8632	16Z7450 DUNLOP DAS393/32/3 DUNLOP DAS393/32/2-1/4 DUNLOP DAS393/48/4	Hose, 5/16" i/d x 2" long at drain pipe	2	BTR1851		QC3/35
		Hose, coupling	1	Rubber	C	QC3/36
13223		Hose, coupling	2	Rubber	MR	QC3/37
		Hose, coupling	2	Rubber	C	QC3/38
	1Z9329	INTAKE, N.A.C.A. FLUSH, BETWEEN ... FORMERS 461.5 & 487.5, GROUP	1	—		QC3/39
	5Z7450	MOUNTING, FOR DUCT, GROUP	1	—		QC3/40
	7Z9330	Piece, drain, 5/16" o/d x 22G x 1.55" ... long	1	—		QC3/41
10538	2Z9786 3Z9786 4Z9786 8Z9330	Piece, elbow at rudder support beam	1	—	MR	QC3/42
		Piece, elbow at rudder support beam	1	—	MR	QC3/43
		Piece, making up	2	—	C	QC3/44
		Pipe, drain, 5/16" o/d x 22G x 3'.0" ... long	1	L56		QC3/45
		COOLING SYSTEM R.C.M. (1Q2111)				
		Spares for:—				
10467 10817	109Q2111 110Q2111 111Q2111	Adaptor	1	—	MR	QC1/46
		Adaptor	1	—	C	
		Adaptor	1	—	C	QC1/48
28F/8011883 28F/9439105	AGS1102/B AGS1105/H	Adaptor	1	—	C	QC2/49
		Adaptor, union, 1" BSP	2	—	C	QC2/50

SERVICES

COOLING SYSTEM, POWER UNITS AND RADAR EQUIPMENT

Ref. No.	Part No.	Description	No. off	Matl. Spec.	Cl. of St.	Plate and Illust'n No.
					M.R.	
		1 2 3 4				
COOLING SYSTEM R.C.M. (1Q2111) (Cont'd)						
10465	87Q2111	Block, adaptor	2	S1	C	QC1/51
8421	20Q2111	Block, clamping, from centre pipe support bracket, at longeron and mounting frame (Pre-Mod. 2448)	8	L51	C	QC1/52
6116184	163Q2111	Block, clamping (Mod. 2448)	8	—	C	QC1/53
8422	21Q2111	Block, clamping, for pipe starboard support bracket and centre support bracket on mounting frame (Pre-Mod. 2448)	10	—	C	
6116185	164Q2111	Block, clamping (Mod. 2448)	10	—	C	QC2/54
	4Q2111	BRACKET, MOUNTING, GROUP	1	—		
	105Q2111	BRACKET, MOUNTING GROUP	1	—		
6116186	22Q2111	Clamp, for blocks (Pre-Mod. 2448)	18	L51	MR	QC1/56
26FP/2721	165Q2111	Clamp (Mod. 2448)	18	—	C	QC2/57
9193	22SS3859	Clip, for pipes	10	—	C	
26FP/13421	4SS3859	Clip, for pipes	3	—	C	QC2/58
	14SS3859	Clip, for pipes	9	—	C	QC1/59
	2SS3859	Clip, for pipes	10	—	C	QC1/60
13780	61Q2111	Conduit, with lugs for pipe support bracket at frame 22.25", 1.25" o/d x 22G	1	—	C	QC2/61
28F/1014970	AGS1104/A	Coupling, pipe	1	—	C	QC2/62
11436	118Q2111	ELBQW, BETWEEN COUPLINGS AT STRINGER 60G, GROUP (Mod. 1451) Spares for:—	1	—	C	QC2/63
6A/1037398	—	Bulb, thermostat	1	—		QC2/64
6A/3699	—	Bush	1	—	C	QC2/65
6A/3698	—	Nut, locking	1	—	C	QC2/66
28F/4051713	AGS1117/H	Elbow, between pipes, at station 95.75"	1	—	C	QC1/67
28F/4051772	AGS1117/F	Elbow, union	1	—	C	QC1/68
	112Q2111	HOSE AND UNION, GROUP (Pre-Mod. 1361)	3	—		
11430	123Q2111	HOSE AND UNION, GROUP (Mod. 1361) (Pre-Mod. 2448) Consisting of:—	3	—	C	
10451	114Q2111	HOSE, "FLYLEX", GROUP Spares for:—	1	—	C	
	T. BOORN FX/075	Ferrule	2	—		

SERVICES

COOLING SYSTEM, POWER UNITS AND RADAR EQUIPMENT

Ref. No.	Part No.	Description				No. off	Matl. Spec.	Cl. of St.	Plate and Illust'n No.
		1	2	3	4			M.R.	
		HOSE, AND UNION, GROUP (123Q2111) (Mod. 1361) (Pre-Mod. 24448) (Cont'd.)							
27BA/4110978	LOCKHEED AVX2849	Union, coupling, half outer (4-pin) (Pre-Mod. 1361)				1	—	C	
27BA/4110978	LOCKHEED AVX3522	Union, coupling, half outer (4-pin) (Mod. 1361)				1	—	C	
	169Q2111	HOSE AND HALF COUPLING, GROUP (Mod. 2448)				2	—		
	160Q2111	Consisting of:— HOSE, "FLYLITE", GROUP				1	—	MR	
	177Q2111	HOSE AND HALF COUPLING, GROUP (Mod. 2448)				1	—		
		Consisting of:—							
22911	166Q2111	HOSE, "FLYLITE", GROUP				1	—	C	
	113Q2111	HOSE, AND UNION, GROUP (Pre-Mod. 1361)				3	—		
11431	128Q2111	HOSE, AND UNION, GROUP (Mod. 1361) (Pre-Mod. 2448)				3	—	C	QC1/69
		Consisting of:—							
10451	114Q2111	HOSE, "FLYLEX", GROUP				1	—	C	
		Spares for:—							
	T. BOORN FX/075	Ferrule				2	—		
27BA/4110979	LOCKHEED AVX2692	Union, coupling, half inlet (3-pin) (Pre-Mod. 1361)				1	—	C	
	174Q2111	HOSE, AND HALF COUPLING, GROUP (Mod. 2448)				2	—		
		Consisting of:—							
	160Q2111	HOSE, "FLYLITE", GROUP				1	—	MR	
	178Q2111	HOSE, AND HALF COUPLING, GROUP (Mod. 2448)				1	—		
		Consisting of:—							
22911	166Q2111	HOSE, "FLYLITE", GROUP				1	—	C	
	74Q2111	HOSE, AND UNION OUTLET, GROUP (Pre-Mod. 1361)				3	—		
13288	122Q2111	HOSE, AND UNION OUTLET, GROUP (Mod. 1361) (Pre-Mod. 2448)				3	—	C	QC1/70
		Consisting of:—							
8403	35Q2111	HOSE, "FLYLEX", GROUP				1	—	C	

VULCAN MR. 2

SERVICES

Page QC. 4A

COOLING SYSTEM, POWER UNITS AND RADAR EQUIPMENT

Ref. No.	Part No.	Description	No. off	Matl. Spec.	Cl. of St.	Plate and Illust'n No.
					M.R.	
		1 2 3 4				
		HOSE AND UNION OUTLET GROUP (122Q2111) (Mod. 1361) (Pre-Mod. 2448) (Cont'd.)				
	T BOORN FX/075	Spares for:—				
	LOCKHEED AVX2849	Ferrule	2	—		
27BA/4110978		Union, coupling, half, outlet (4-pin) (Pre-Mod. 1361)	1	—	C	
27BA/4110978	LOCKHEED AVX3522	Union, coupling, half, outlet (4-pin) (Mod. 1361)	1	—	C	
	168Q2111	HOSE, AND HALF COUPLING GROUP, (Mod. 2448)	3	—		
	156Q2111	Consisting of:— HOSE, "FLYLITE", GROUP	1	—	MR	
	46Q2111	HOSE, AND UNION, INLET GROUP, (Pre-Mod. 1361)	3	—	MR	
11432	127Q2111	HOSE, AND UNION, INLET GROUP (Mod. 1361) (Pre-Mod. 2488)	3	—	C	QC1/71
	35Q2111	Consisting of:— HOSE, "FLYLEX", GROUP	1	—	MR	
	T BOORN FX/075	Spares for:—				
	LOCKHEED AVX2692	Ferrule	2	—		
27BA/4110979		Union, coupling, half, inlet (3-pin) (Pre-Mod. 1361)	1	—	C	
27BA/4110979	AVX3520	Union, coupling, half, inlet (3-pin) (Mod. 1361)	1	—	C	
	173Q2111	HOSE, AND HALF COUPLING GROUP, (Mod. 2448)	3	—		
	156Q2111	Consisting of:— HOSE, "FLYLITE", GROUP	1	—	MR	
	40Q2111	HOSE, AND UNION, OUTLET GROUP, (Pre-Mod. 1361)	2	—		
13287	121Q2111	HOSE, AND UNION, OUTLET GROUP, (Mod. 1361) (Pre-Mod. 2448)	2	—	C	QC1/72
8404	36Q2111	Consisting of:— HOSE, "FLYLEX", GROUP	1	—	C	
	T BOORN FX/075	Spares for:—				
		Ferrule	2	—		

SERVICES

COOLING SYSTEM, POWER UNITS AND RADAR EQUIPMENT

Ref. No.	Part No.	Description	No. off	Matl. Spec.	Cl. of St.	Plate and Illust'n No.
					M.R.	
		1 2 3 4				
		HOSE, AND UNION OUTLET, GROUP (121Q2111) (Mod. 1361) (Pre-Mod. 2448) (Cont'd.)				
27BA/4110978	LOCKHEED AVX2849	Union, coupling, half, outer (4-pin) (Pre-Mod. 1361)	1	—	C	
27BA/4110978	LOCKHEED AVX3522	Union, coupling, half, outer (4-pin) (Mod. 1361)	1	—	C	
	167Q2111	HOSE, AND HALF, COUPLING GROUP, (Mod. 2448)	2	—		
	157Q2111	Consisting of:— HOSE, "FLYLITE", GROUP	1		MR	
	39Q2111	HOSE, AND UNION INLET, GROUP	2	—		
13286	120Q2111	HOSE, AND UNION, INLET, GROUP (Mod. 1361) (Pre-Mod. 2448)	2	—	C	QC1/73
8404	36Q2111	Consisting of:— HOSE, "FLYLEX", GROUP	1	—	C	
	T BOORN FX/075	Spares for:— Ferrule	2	—		
27BA/4110979	LOCKHEED AVX2692	Union, coupling, half, inlet (3-pin) (Pre-Mod. 1361)	1	—	C	
27BA/4110979	LOCKHEED AVX3520	Union, coupling, half, inlet (3-pin) (Mod. 1361)	1	—	C	
	176Q2111	HOSE, AND HALF, COUPLING GROUP, (Mod. 2448)	2	—		
	157Q2111	Consisting of:— HOSE, "FLYLITE", GROUP	1	—	MR	
	117Q2111	HOSE, AND UNION, OUTLET, GROUP ... (Pre-Mod. 1361)	1	—	C	
12794	124Q2111	HOSE, AND UNION, OUTLET, GROUP ... (Mod. 1361) (Pre-Mod. 2448)	1	—	C	QC1/74
	35Q2111	Consisting of:— HOSE, "FLYLEX", GROUP	1	—	MR	
	T BOORN FX/075	Spares for:— Ferrule	2	—		
27BA/4110978	LOCKHEED AVX2849	Union, coupling, half, outer (4-pin) (Pre-Mod. 1361)	1	—	C	
27BA/4110978	LOCKHEED AVX3522	Union, coupling, half, outer (4-pin) (Mod. 1361)	1	—	C	

VULCAN Mk. 2

SERVICES

COOLING SYSTEM, POWER UNITS AND RADAR EQUIPMENT

Ref. No.	Part No.	Description	No. off	Matl. Spec.	Cl. of St.	Plate and Illust'n No.
					M.R.	
		1 2 3 4				
		COOLING SYSTEM R.C.M. (1Q2111) (Cont'd.)				
	170Q2111	HOSE AND HALF, COUPLING GROUP (Mod. 2448) Consisting of:—	1	—		
6116183	162Q2111	HOSE, "FLYLITE", GROUP	1	—	C	
	116Q2111	HOSE, AND ELBOW UNION, GROUP (Pre-Mod. 1361)	1	—		QC1/75
	129Q2111	HOSE, AND ELBOW UNION, GROUP (Mod. 1361) (Pre-Mod. 2448) Consisting of:—	1	—	MR	
	116aQ2111	HOSE AND ELBOW, GROUP Spares for:—	1	—		
	AGS1235/F	Elbow	1	—		
	35aQ2111	Flylex hose	1	—		
	T. BOORN FX/075	Ferrule	2	—		
	AGS1231/F	Union, nut	1	—		
27BA/4110979	AVX2692	Union, coupling, half, inlet (3 pin) (Pre-Mod. 1361)	1	—	C	
27BA/4110979	LOCKHEED AVX3520	Union, coupling, half, inlet (3 pin) (Mod. 1361)	1	—	C	
	175Q2111	HOSE, AND ELBOW HALF COUPLING GROUP (Mod. 2448) Consisting of:—	1	—		
6116182	161Q2111	HOSE, "FLYLITE" ELBOW, GROUP	1	—	C	
	84Q2111	HOSE, AND ELBOW UNION, GROUP (Pre-Mod. 1361)	1	—		
13233	125Q2111	HOSE, AND ELBOW UNION, GROUP (Mod. 1361) (Pre-Mod. 2448) Consisting of:—	1	—	C	QC2/76
9984	82Q2111	HOSE, "FLYLEX" GROUP Spares for:—	1	—	C	
	T. BOORN FX/100	Ferrule	2	—		
27BA/9128814	LOCKHEED AVA62H	Nut, union (Magenta) (Pre-Mod. 1361)	1	—	C	
	LOCKHEED AVA1400H	Nut, union (Magenta) (Mod. 1361)	1	—		
27BA/12387	LOCKHEED AVX2986	Union, coupling, half (Pre-Mod. 1361)	1	—	C	
27BA/12387	LOCKHEED AVX3843	Union, coupling, half (Mod. 1361)	1	—	C	
	171Q2111	HOSE, AND HALF COUPLING GROUP (Mod. 2448) Consisting of:—	1	—		
6116179	158Q2111	HOSE, "FLYLITE", GROUP	1	—	C	

SERVICES

COOLING SYSTEM, POWER UNITS AND RADAR EQUIPMENT

Ref. No.	Part No.	Description	No. off	Matl. Spec.	Cl. of St.	Plate and Illust'n No.
					M.R.	
		1 2 3 4				
		COOLING SYSTEM R.C.M. (1Q2111)				
		(Cont'd.)				
12795	95Q2111	HOSE, AND ELBOW UNION, GROUP	1	—	C	QC2/77
	126Q2111	(Pre-Mod. 1361) HOSE, AND ELBOW UNION, GROUP	1	—	C	
	83Q2111	(Mod. 1361) Consisting of:— HOSE, "FLYLEX", GROUP	1	—	MR	
	T BOORN FX/100	Spares for:— Ferrule	2	—		
27BA/9128814	LOCKHEED AVA62H	Nut, union (Black) (Pre-Mod. 1361)	1	—	C	
	LOCKHEED AVA1399	Nut, union, (Black) (Mod. 1361)	1	—		
27BA/4110998	LOCKHEED AVX2956	Union, coupling, half, (Pre-Mod. 1361) .	1	—	C	
27BA/4110972	LOCKHEED AVX3841	Union, coupling, half, (Mod. 1361)	1	—	C	
	172Q2111	HOSE, AND HALF COUPLING	1	—		
6116180	159Q2111	GROUP (Mod. 2448) Consisting of:— HOSE, "FLEXITE", GROUP	1	—		
1432800	18Q3767	HOSE, AND HALF COUPLING, GROUP ... (Mod. 2024) (Pre-Mod. 2457) Spares for:—	1	—	C	
	3SS4485	Clip,	1	—		
	155Q2111	Clip, (make from AGS602/2)	1	—		
27BA/4110978	LOCKHEED AVX3522	Coupling	1	—	C	
	18aQ3767	HOSE, "FLYLEX", GROUP	1	—		
	AGS1232/F	Spares for:— Tail, piece	2	—		
	AGS1231/F	Nut, union	2	—		
	3SS4485	Clip	1	—		
	T BOORN FX/075	Ferrule	2	—		
	28Q3767	HOSE, AND HALF COUPLING	1	—		
		GROUP (Mod. 2457) Consisting of:—				
22909	28aQ3767	HOSE, "FLYLITE", GROUP	1	—		
1432801	19Q3767	HOSE, AND HALF COUPLING	1	—	C	
		GROUP, (Mod. 2024) (Pre-Mod. 24257) Spares for:—				
	3SS4485	Clip,	1	—		
	155Q2111	Clip, (make from AGS602/2)	1	—		
27BA/4110979	LOCKHEED AVX3520	Coupling	1	—	C	

VULCAN No. 2

SERVICES

Page QC. 7

COOLING SYSTEM, POWER UNITS AND RADAR EQUIPMENT

Ref. No.	Part No.	Description	No. off	Matl. Spec.	Cl. of St.	Plate and Illust'n No.
					M.R.	
		HOSE AND HALF COUPLING, GROUP (19Q3767) (Cont'd.)				
	19aQ3767	HOSE, "FLYLEX", GROUP	1	—		
	3SS4485	Spares for:—				
	T BOORN	Clip	1	—		
	FX/075	Ferrule	2	—		
	AGS1231/F	Nut, union	2	—		
	AGS1232/F	Tail piece	2	—		
	29Q3767	HOSE, AND HALF, COUPLING, GROUP .. (Mod. 2457)	1	—		
		Consisting of:—				
22909	28aQ3767	HOSE, "FLYLITE", GROUP	1	—	C	
9991	107Q2111	HOSE, CONDENSER TO FREON PACK, ... GROUP	1	—	C	QC1/78
	108Q2111	HOSE, FREON PACK TO CONDENSER, ... GROUP	1	—	MR	QC1/79
1432798	4Q3767	MANIFOLD BLOCK, GROUP (Mod. 2024)	1	—	C	
1432799	5Q3767	MANIFOLD BLOCK, GROUP (Mod. 2024)	1	—	C	
		MOUNTING, WATER-GLYCOL PUMP (1Q2113)				
		Spares for:—				
8426	9Q2113	Strip, packing, for pump	4	L72	C	QC2/80
	SPE16291	VALVE, NON-RETURN, AND GLYCOL ... WATER PUMP, GROUP	2	—		QC2/81
		Consisting of:—				
5UE/4407247	SPE14703	Pump, glycol and water (Line type) ..	1	—	A	
	SPE1705	Valve, non-return type 83A, WG	1	—		
		Mk. 3 (Order together complete with seal)				
		MOUNTING, GLYCOL RESERVOIR UNIT (1Q2112)				
		Spares for:—				
8425	11Q2112	Bolt, special, for attachment of strap at stringer 60	2	S96	C	QC2/82
	17Q2112	PIPE, VENT, 20G x 1/4" o/d x 10.0" LONG, GROUP	—	L56	MR	QC2/83
	15Q2112	Plate, cover	1	L72		QC2/84
	DOWTY	Reservoir unit, glycol (Pre-Mod. 1475) ..	1	—		
	1/00467/001	Reservoir unit, glycol (Mod. 1475)	1	—		QC2/85
	DOWTY					
	1/00467/002					
8424	7Q2112	STRAP, TENSION, GROUP	2	—	C	QC2/86
	16Q2112	Window (Perspex)	1	DTD846 Class 3		QC2/87

SERVICES

COOLING SYSTEM, POWER UNITS AND RADAR EQUIPMENT

Ref. No.	Part No.	Description	No. off	Matl. Spec.	Cl. of St.	Plate and Illust'n No.
					M.R.	
		1 2 3 4				
		COOLING SYSTEM R.C.M. (1Q2111) (Cont'd.)				
10818	1SS4882	Nipple	1	—	C	QC1/88
10816	1SS4883	Nipple	1	—	C	QC1/89
		PACK, COOLING, FOR SPECIAL AIRBORNE EQUIPMENT INSTALLA- TION (1Q2114)				
		Spares for:—				
28N/2005100	PH190/5	Bolt, jo	4	—	C	QC1/90
1510329	38Q2114	Bracket, longeron	1	DTD410	C	QC1/91
	5Q2114	Bracket, channel	1	L72		QC1/92
	40Q2114	Bracket, guide	1	L72		QC1/93
	36Q2114	Channel	1	L72	MR	QC1/94
	GODFREY & PARTNERS					
27UA/ 4612143	159102	PACKING, COOLING, TYPE V.C.I.P. Mk. 1	1	—	A	QC1/95
		Consisting of:—				
	G & P	Components, cooling pack	1	—		
	1Q2115	Panel, back (supplied to Godfrey & Partners by A. V. Roe)	—	—		
	9Q/2114	PIN, "PIP" C/W TAB, GROUP	1	—		QC1/96
	10Q2114	PIN, "PIP" C/W TAB, GROUP	1	—		QC1/97
	34Q2114	Plate, side	1	L72	MR	QC1/98
	35Q2114	Plate, side	1	L72		QC1/99
	37Q2114	ROD, SUPPORT, GROUP	1	—		QC1/100
	32Q2114	SUPPORT, PULLEY, GROUP	1	—		QC1/101
		Spares for:—				
	13Q2114	CHANNEL, SUPPORT, GROUP	1	—		QC1/102
	14Q2114	CHANNEL, SUPPORT, GROUP	1	—		QC1/103
	30Q2114	GUIDE, PULLEY, GROUP	1	—		QC1/104
		Spares for:—				
	29Q2114	Bracket, guide	1	—		
	28Q2114	Plate, base	1	—	MR	
28R/1052624	39Q2114	Guide, cable	1	—		QC1/105
	AS103	Pulley	2	—	C	QC1/106
	6Q2111	PIPE, TEE-UNION, TO CHARGING VALVE, GROUP	1	—	MR	QC2/107
		Consisting of:—				
	8Q2111	Adaptor, special	1	S1		
	7Q2111	Collar, adaptor	1	S1		
28F/8011892	AGS952/C	Collar	1	—	C	
28F/9140970	AGS904/C	Sleeve, outer	1	—	C	
28F/8011822	AGS904/F	Sleeve, outer	1	—	C	
	6aQ2111	Tube, 3/8" o/d x 20G x 15" long	1	L56		

SERVICES

COOLING SYSTEM, POWER UNITS AND RADAR EQUIPMENT

Ref. No.	Part No.	Description	No. off	Matl. Spec.	Cl. of St.	Plate and Illust'n No.
					M.R.	
		1 2 3 4				
		COOLING SYSTEM R.C.M. (1Q2111) (Cont'd.)				
8408	10Q2111	PIPE, TEE-PIECE, GROUP	1	—	C	QC2/108
8410	5Q2111	PIPE, CHARGING VALVE TO RESERVOIR, GROUP	1	—	C	QC2/109
8411	13Q2111	PIPE, TEE-UNION TO RESERVOIR, GROUP	1	—	C	QC2/110
	14Q2111	PIPE, TEE-UNION, TO 4-WAY UNION, GROUP	1	—	MR	QC1/111
	15Q2111	PIPE, STARBOARD BRACKET TO ELBOW (SUPPLY FROM FREON-PACK), GROUP	1	—	MR	QC1/112
8414	41Q2111	PIPE, SUPPLY, STB'D BRACKET TO CENTRE BRACKET, 1" o/d x 20G x 13" LONG APPROX., GROUP	1	—	C	QC1/113
8415	42Q2111	PIPE, 4-WAY UNION, TO ELBOW, 3/4" ... o/d x 20G x 22" LONG APPROX., GROUP	1	—	C	QC1/114
8416	43Q2111	PIPE, 4-WAY UNION, TO TEE-PIECE AT FORMERS, 71 25-95.75, 1" o/d x 20G x 15" LONG APPROX., GROUP	2	—	C	QC1/115
	44Q2111	PIPE, BETWEEN TEE-PIECES AT FORMERS 21.25-46.75-71.25, 1" o/d x 20G x 15" LONG, GROUP (Pre-Mod. 2024)	4	—	MR	QC1/116
	49Q2111	PIPE, TEE-UNION CONNECTORS, 1" o/d x 22G x 3-1/2" LONG, GROUP	6	—	MR	QC1/117
13062	148Q2111	PIPE, TEE-UNION CONNECTORS 3/4" ... o/d x 22G x 17.0" LONG, GROUP (Mod. 1657)	1	—	C	QC1/118
13064	149Q2111	PIPE, TEE-UNION CONNECTORS, 3/4" ... o/d x 22G x 17.0" LONG, GROUP (Mod. 1657)	1	—	C	QC1/119
	103Q2111	PIPE, 3-WAY, AT UNION ELBOW, GROUP (Pre-Mod. 2024)	1	L54	MR	QC2/120
1432797	2Q3767	PIPE GROUP (Mod. 2024)	1	L54	C	
10459	104Q2111	PIPE, PRESSURE SWITCH MTG., 3/16" ... o/d x 20G x 15" LONG, GROUP (Pre-Mod. 2024)	—	L54	C	QC2/121

SERVICES

COOLING SYSTEM, POWER UNITS AND RADAR EQUIPMENT

Ref. No.	Part No.	Description	No. off	Matl. Spec.	Cl. of St.	Plate and Illust'n No.
					M.R.	
		1 2 3 4				
		COOLING SYSTEM R.C.M. (1Q2111) (Cont'd.)				
	3Q3767	PIPE GROUP (Mod. 2024)	1	L56		
13065	150Q2111	PIPE, AT FRAME 487.5", 1/4" o/d x 22G, GROUP (Mod. 1657)	1	L56	C	QC1/122
13066	151Q2111	PIPE, AT FRAME 487.5", 1/4" o/d x 22G, GROUP (Mod. 1657)	1	L56	C	QC1/123
10464	102Q2111	PIPE, VENT, 1/4" o/d x 20G x 34"	1	L56	C	QC2/124
1432793	12Q3767	PIPE GROUP (Mod. 2024)	1	L54	C	
1432792	13Q3767	PIPE GROUP (Mod. 2024)	1	L56	C	
1432790	14Q3767	PIPE GROUP (Mod. 2024)	1	L56	C	
1432789	15Q3767	PIPE GROUP (Mod. 2024)	1	L56	C	
1432791	16Q3767	PIPE GROUP (Mod. 2024)	1	L56	C	
1432788	17Q3767	PIPE GROUP (Mod. 2024)	1	L56	C	
1433458	23Q3767	PIPE GROUP (Mod. 2024)	1	L56	C	
1433459	24Q3767	PIPE GROUP (Mod. 2024)	1	L56	C	
	25Q3767	PIPE GROUP (Mod. 2024)	1	L56		
	26Q3767	PIPE GROUP (Mod. 2024)	1	L56		
		PUMP, WATER-GLYCOL, GROUP				
		(Q3814) (Mod. 2024)				
		Spares for:—				
	4Q3814	Bracket	1	—		
	3Q3814	PUMP UNIT GROUP	1	—		
		Spares for:—				
		Pump, water	1	—		
1432802	SP14703	Elbow, 1" B.S.P.	2	—	C	
	28SS3569	Washer	2	—		
	3aQ3814	Seal	1	—		QC1/125
	GODFREY & PARTNER G75 B6	Seal	1	—		QC1/126
	GODFREY & PARTNER G75 B9	Switch, pressure	1	—	A	QC2/127
5CW/4405356	TEDDINGTON CONTROLS FOM/A/13					

VULCAN Mk. 2

SERVICES

Page QC. 11

COOLING SYSTEM, POWER UNITS AND RADAR EQUIPMENT

Ref. No.	Part No.	Description	No. off	Matl. Spec.	Cl. of St.	Plate and Illust'n No.
					M.R.	
		COOLING SYSTEM R.C.M. (1Q2111) (Cont'd.)				
10460	98Q2111	Restrictor (Pre-Mod. 2024)	3	DTD410	C	QC1/128
1432794	20Q3767	Restrictor (Mod. 2024)	3	—	C	
10461	99Q2111	Restrictor (Pre-Mod. 2024)	2	DTD410	C	QC1/129
1432795	21Q3767	Restrictor (Mod. 2024)	3	—	C	
10462	100Q2111	Restrictor (Pre-Mod. 2024)	1	DTD410	C	QC1/130
1432796	22Q3767	Restrictor (Mod. 2024)	2	—	C	
10463	101Q2111	Restrictor	3	DTD410	C	QC1/131
10454	201SS3557	Tee-piece, 3/4" x 3/4" x 1/4" BSP	1	DTD423	C	QC1/132
10455	203SS3557	Tee-piece	1	—	C	QC1/133
	204SS3557	Tee-piece	7	—	MR	QC1/134
10457	205SS3557	Tee-piece	1	—	C	QC1/135
10466	75SS3554	Tee-piece, special	1	—	C	QC2/136
	AGS1121/6	Tee-piece	1	—		QC1/137
28F/4051857	AGS1121/2	Tee-piece	1	—	C	QC1/138
27QM/ 4173755	DOWTY O7335.YA14	Valve, charging unit	1	—		QC2/139
		COOLING SYSTEM, POWER UNITS, INSTALLATION OF FREON CONDENSER BETWEEN FORMERS 141.5 & 95.75, STARBOARD SIDE IN COOLING IN- TAKE (Z9823) Spares for:—				
27UA/ 4612366	MARSTON EXCELSIOR D11772A	Condenser, freon	1	—	A	QC1/140
		ATTACHMENTS FOR CONDENSER PART No. D11772A:—				
28M/1045680	AGS899/2	Collar	3	Steel	C	
28P/5399	AP4ZB7	Pin, steel	3	Steel	C	
28P/12431	SP9.C6	Pin, split	3	Steel	C	
		DUCT, COOLING, FOR TRANSFORMER RECTIFIER UNIT IN POWER COMPART- MENT, STARBOARD (Z9638) Spares for:—				
8567	6Z9638 KING A/C LTD.	Baffle, blower unit	1	L59	C	QC4/141
8566	C4592/3.2"	Clip, coronation	1	—	C	QC4/142
28E/4710971	SP91/N	Clip, jubilee	1	—	C	QC4/143
8565	5Z9638	Clip, half, for duct	2	L52	C	QC4/144
17066	2Z9638	Duct, outboard	1	L54	C	QC4/145
8563	7Z9638	Duct, inboard	1	L54	C	
8564	DUNLOP LTD. DAS393/48/3	Pipe, coupling	1	—	C	QC4/146

SERVICES

COOLING SYSTEM, POWER UNITS AND RADAR EQUIPMENT

Ref. No.	Part No.	Description	No. off	Matl. Spec.	Cl. of St.	Plate and Illust'n No.
					M.R.	
		1 2 3 4				
		DUCTING, COOLING AIR, FOR EQUIPMENT IN NOSE-WHEEL BAY, STARBOARD SIDE (1Z9247)				
		Spares for:—				
5801	42Z7342	Bracket, for strap at former 160.5"	1	L72	C	QC4/147
5802	43Z7342	Bracket, for strap at former 160.5"	1	L72	C	QC4/148
	28S3863	Clip, "P", for ducting at strut attachment	2	—	MR	QC4/149
	2Z7634	CLIP, JOINTING, FOR 3" o/d DUCT,	2	—	MR	QC4/150
		GROUP				
21649	20Z7634	CLIP, JOINT, FOR 3.75" o/d DUCT,	3	—	C	QC4/151
		GROUP				
5K/9144249	NX1A 1047/V7909	Clip, cable	1	—	C	QC4/152
		Cable (F1047) TR.4 to Fan Group RG				
		(See EC. Electrics N.W.B.)				
5806	24Z7342	Clip, half, for transfer duct	1	L72	C	QC4/153
5804	45Z7342	Clip, half, for 1-1/4" dia. duct	1	L72	C	QC4/154
	60Z7342	Clip, half, for 2" dia. duct	2	L72	MR	QC4/154
	60Z3257	Clip, joint, for ducting	1	—		QC4/155
26FP/13265	4SS3512	Clip, special, for 1" dia. stub pipe	1	—	C	QC4/156
	54Z3257	Clip, joint, for 3" dia. duct	3	—	MR	QC4/157
8557	8Z9246	Clip, half, for duct	2	S3 & T35	C	QC4/158
8559	14Z9247	Duct, between former 130.0" and	1	—	C	QC4/159
		blower unit				
8562	17Z9247	Duct, cooling, for T.R.U. between	1	—	C	QC4/160
		formers 115.5 and 101				
5809	5Z7342	Duct, from joint at breeches	1	—	C	QC4/161
21647	8Z7342	DUCT, BRANCH, FISH TAILED, BETWEEN FORMERS 130-145.5, GROUP	1	—	C	QC4/162
5812	21Z7342	Duct, from joint at elbow duct	1	—	C	QC4/163
	68Z7342	Duct, transfer	1	L59		QC4/164
	63Z7342	Duct, from muff power unit to fish	1	—	MR	QC4/165
		tailed duct				
5813	66Z7342	Duct, complete with stub pipes	1	—	C	QC4/166
8560	19Z9247	Duct, joint, blower, aft, between	1	—	C	QC4/167
		formers 130.0 and 115.5				
8561	20Z9247	Duct, cooling, between formers 115.5	1	—	C	QC4/168
		and 101.0				
8558	24Z9247	Duct, from breeches piece to joint	1	—	C	QC4/169
		duct at blower unit				
5674	58Z7342	Ducting, from joint to transfer duct	1	—	C	QC4/170
5677	59Z7342	Ducting, from joint at former 189.5	1	—	C	QC4/171
	17Z7700	Gasket, blower, "Hallite", 1/32" x	1	DTD378A	MR	QC4/172
		5-1/4" dia.				
26DN/6714	DUNLOP DAS/393/20/2	Hose, coupling, at power unit and	3	Rubber	C	QC4/173
		calculator muff				

VULCAN Mk. 2

SERVICES

Page QC. 13

COOLING SYSTEM, POWER UNITS AND RADAR EQUIPMENT

Ref. No.	Part No.	Description	No. off	Matl. Spec.	Cl. of St.	Plate and Illust'n No.
					M.R.	
		1 2 3 4				
		DUCTING, COOLING AIR FOR EQUIPMENT IN NOSE-WHEEL BAY, STARBOARD SIDE (1Z9247) (Cont'd)				
5678	52Z7342	MUFF, CALCULATOR, GROUP	1	—	B	QC4/174
	52eZ7342	Spares for:— Plate, front, detachable	1	L59		
5819	53Z7342	MUFF, POWER UNIT, GROUP	1	—	B	QC4/175
5814	39Z7342	Piece, breeches, from joint at tee-section	1	—	C	QC4/176
	44Z7342	Saddle, for bracket	1	L72		QC4/177
5815	37Z7342	SECTION, TEE, CURVED, GROUP	1	—	C	QC4/178
5673	67Z7342	Strut, support, for ducting	1	L54	C	QC4/179
21648	34Z342	Tube, distance, for clips, 3/8" dia. x 1-5/8" long	2	L54	C	
	10D9207	Washer, at clip attachments	8	—		
		DUCTING, INLET AND EXHAUST, FOR T.R.U. AND FREQUENCY CHANGERS IN NOSE-WHEEL BAY, PORT (1Z9736)				
		Spares for:—				
	11Z7634	Clip, duct, jointing	4	—	MR	QC4/181
	48Z3257	Clip, duct, jointing	5	—	MR	QC4/182
8557	8Z9246	Clip, half, blower attachment	2	—	C	QC4/183
8551	5Z9244	Duct, flanged, at blower unit	2	—	C	QC4/184
	1Z9245	DUCT, INLET, BETWEEN FORMERS 189.5—204, GROUP	1	—		QC4/185
8556	3Z9736	Duct, "Y", between frequency and T.R.U.	1	—	C	QC4/186
8554	2Z9736	DUCT, EXHAUST, FROM FREQUENCY CHANGERS, GROUP	1	—	C	QC4/187
8555	4Z9736	Duct, exhaust, outlet	1	—	C	QC4/188
8552	6Z9736	Duct, flanged, aft blower	1	—	C	QC4/189
8549	7Z9736	Duct, from inlet duct	1	—	C	QC4/190
8550	8Z9736	Duct, to forward blower duct	1	—	C	QC4/191
8553	9Z9736	Duct, to T.R.U. at former 130	1	—	C	QC4/192
	17Z7700	Gasket, "Hallite", 1/32" x 5-1/4" dia.	4	DTD378A	MR	QC4/193
	5Z9736	MOUNTING, FOR BLOWER UNIT, GROUP	1	—		QC4/194

SERVICES

COOLING SYSTEM POWER UNITS AND RADAR EQUIPMENT

Ref. No.	Part No.	Description	No. off	Matl. Spec.	Cl. of	Plate and Illust'n No.
					St. M.R.	
		1 2 3 4				
		MOUNTING COOLING UNIT G.P.I. Mk. 6 NAVIGATOR'S STATION (Z10470) (Mod. 1220, Part "A")				
	10Z10470	Spares for:— BRACKET, MOUNTING, GROUP (Mod. 1174)	1	—		QC5/1
10681	7Z10470	Spares for:— COUPLING, DUMMY, GROUP	1	—		QC5/2
10682	8Z10470	COUPLING, DUMMY, GROUP	1	—		QC5/3
		Attachments—Part Nos. 7Z10470 and 8Z10470				
28D/9436920	A25/1C	Bolt	8	—	C	QC5/4
28M/9433473	AGS2002/C1	Nut, stiff	8	—		
28W/9419402	SP13/C	Washer	8	—	C	
	10V5883	CLIP, BRACKET, GROUP	1	—		
26FP/13928	23SS3264	Clip	2	—		QC5/5
		Attachments—Part No. 23SS3264				
28D/9133011	A25/2C	Bolt	1	—	C	QC5/6
28W/9419402	SP13/C	Washer	1	—	C	
12884	2Z10470	PLATFORM, SUPPORT, GROUP	1	—		QC5/7
9CA/173	—	Unit, cooling, G.P.I. Mk. 6, Type "A" (Mod. 1220, Part "B") (S.O.O.)	1	—		QC5/8

VULCAN Mk. 2

SERVICES

Page OC. 14A

COOLING SYSTEM POWER UNITS AND RADAR EQUIPMENT

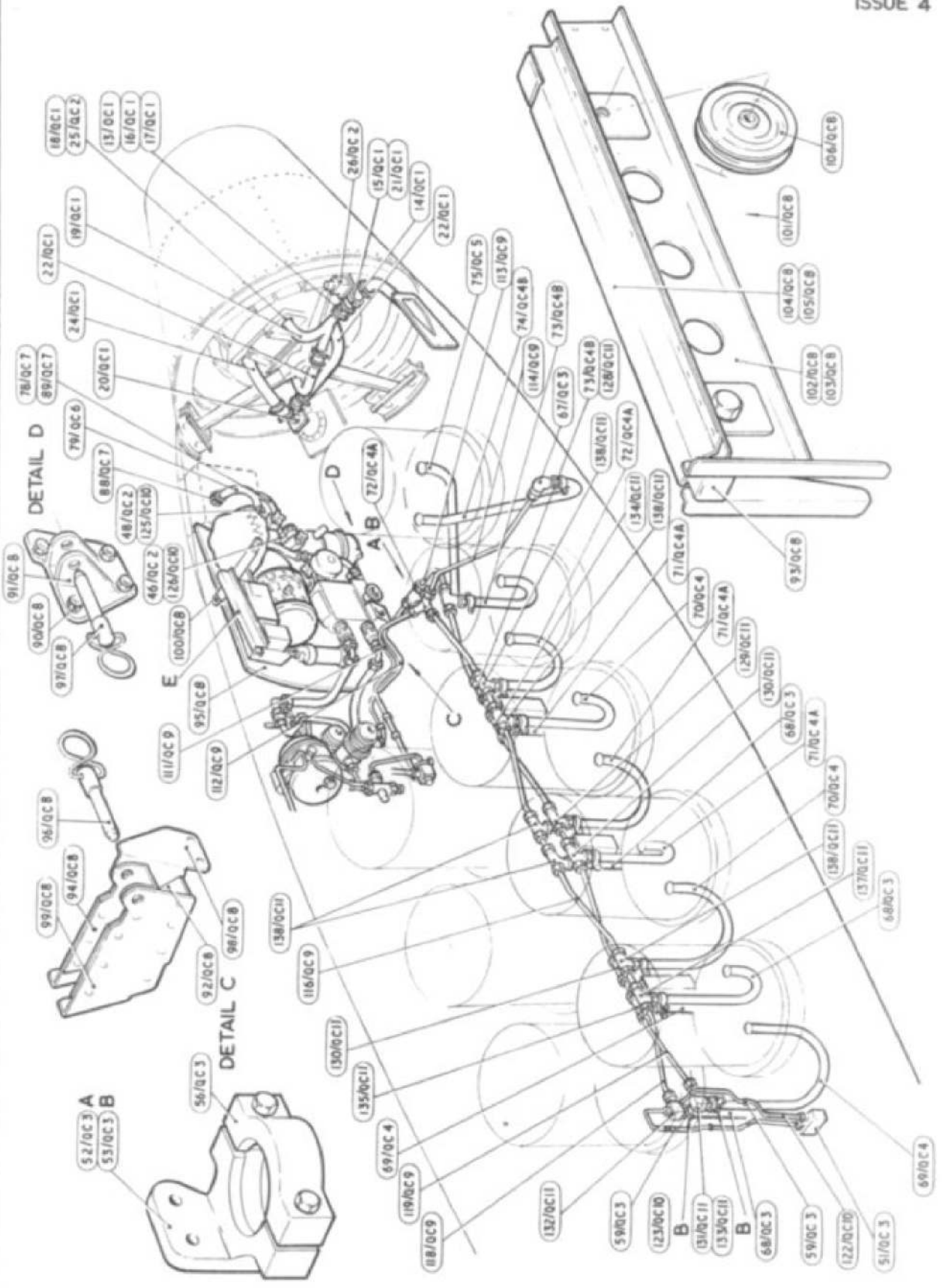
Ref. No.	Part No.	Description	No. off	Matl. Spec.	Cl. of	Plate and Illust'n No.
					St. M.R.	
		1 2 3 4				
		MOUNTING COOLING UNIT G.S.R. UNDER SECOND PILOT'S FLOOR (Z10471) (Mod. 1221, Part "A") Spares for:—				
13068	11Z10471 13Z10471	Clip, pipe	1	—		QC5/9
		Clip, half	2	—	MR	QC5/10
		Attachments—Part No. 13Z10471				
28D/1012995 28M/1012015 28W/9419402	A25/22C AGS2001/C1/66 SP13/C	Bolt	1	—	C	QC5/11
		Nut, stiff	1	—	C	
		Washer	1	—	C	
7955	AY5SS4234	Clip, half	2	—	C	
		Attachments—Part No. AY5SS4234				
28D/9435710 28M/1012015 28W/9419402	A25/11C AGS2001/C1/66 SP13/C	Bolt	1	—	C	
		Nut, stiff	1	—	C	
		Washer	1	—	C	
13069	12Z10471 2Z10471	Channel	1	L72	C	QC5/12
		Plate, front	1	L72		
	10Z10471	PLATE, SUPPORT, GROUP	1	—		
12717	9Z10471	Stud	4	—	C	
	1T4900	TRAY, MOUNTING, FOR GROUND SPEED RESOLVER, GROUP				QC5/13
		Spares for:—				
10681	7Z10470	COUPLING, DUMMY, GROUP	1	—		QC5/14
10682	8Z10470	COUPLING, DUMMY, GROUP	1	—		QC5/15
		Attachments—Part Nos. 7Z10470 and 8Z10470				
28D/9436920 28M/1012015 28W/9419402	A25/1C AGS2002/C1/66 3SS4353 SP13/C	Bolt	4	—	C	QC5/16
		Nut, stiff	8	—	C	
		Screw, csk. hd.	4	—	MR	QC5/17
		Washer	8	—	C	
9CA/305	—	Unit, cooling, G.S.R. (Mod. 1221, Part "B") (S.O.O.)	1	—		QC5/18

SERVICES

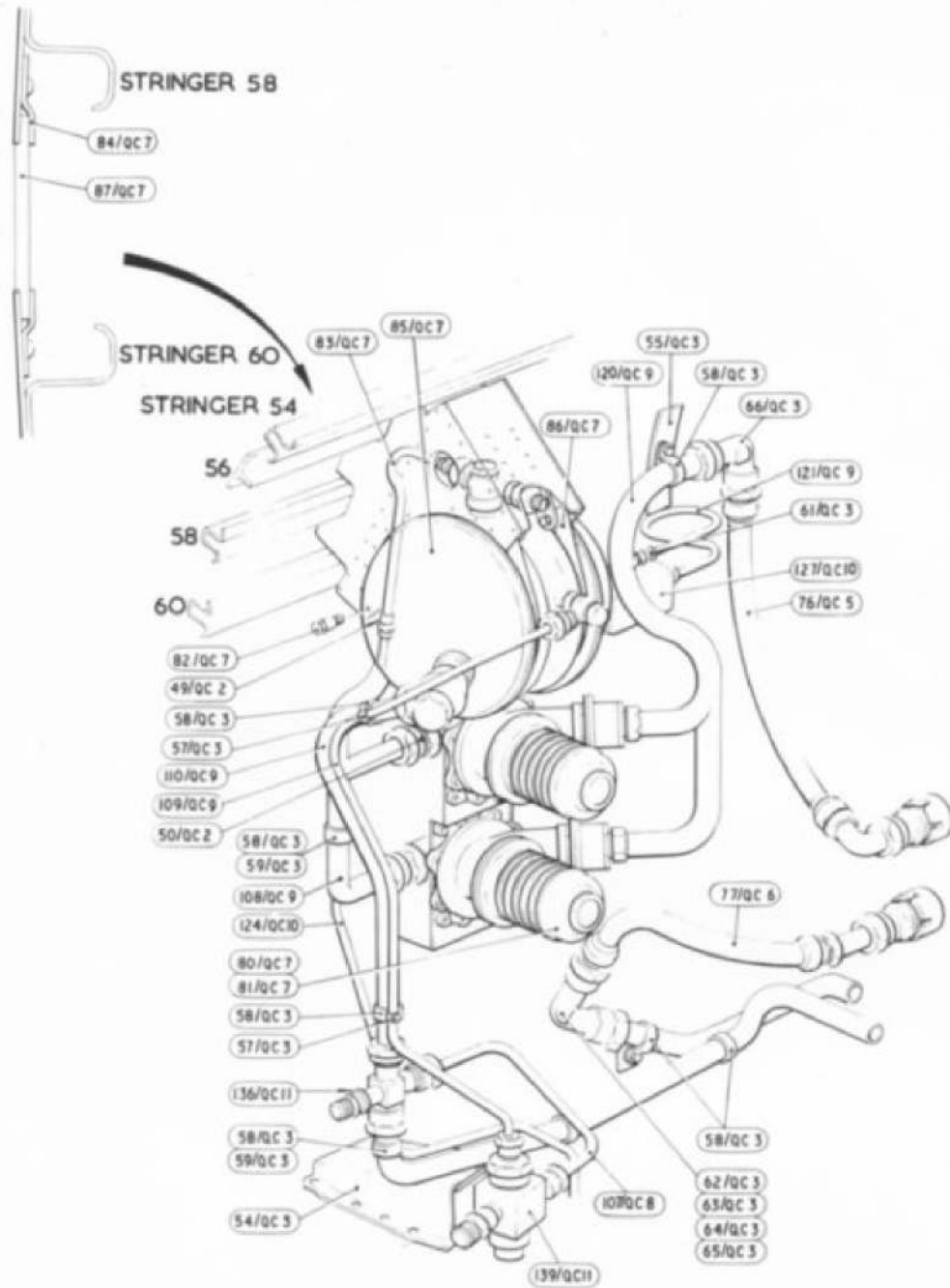
COOLING SYSTEM, POWER UNITS AND RADAR EQUIPMENT

SUMMARY OF STANDARD ITEMS

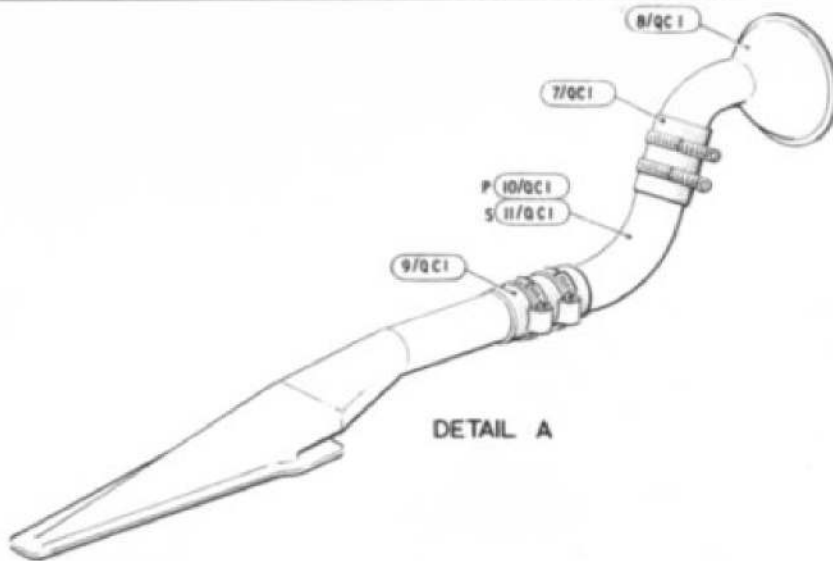
Stores Ref.		No. off	Stores Ref.		No. off	Stores Ref.		No. off
Section	Ref. No.		Section	Ref. No.		Section	Ref. No.	
28E	19826	3	28N	5549	3			
28E	2236061	4	28N	2005100	4			
28E	2027591	25						
28F	5604	1	28P	5399	3			
28F	5607	1	28P	12431	3			
28F	7245	1						
28F	4051713	1	28R	13514	2			
28F	4051772	1						
28F	1014970	1						
28F	8011883	1						
28F	9439105	2						
28F	18338	1						
28F	4051839	6						



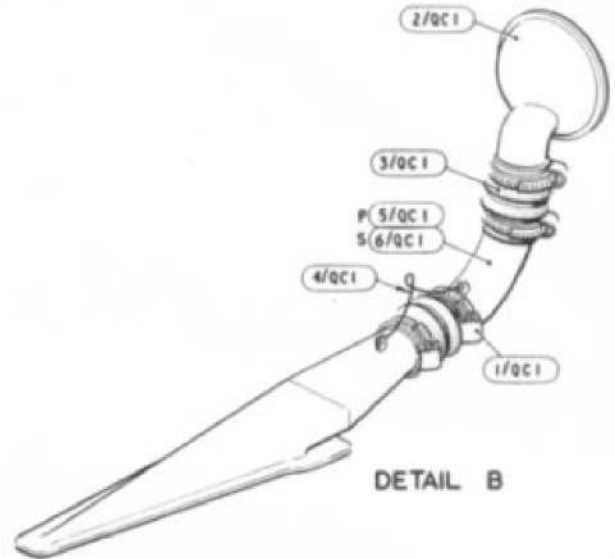
COOLING SYSTEM
POWER UNITS AND RADAR EQUIPMENT



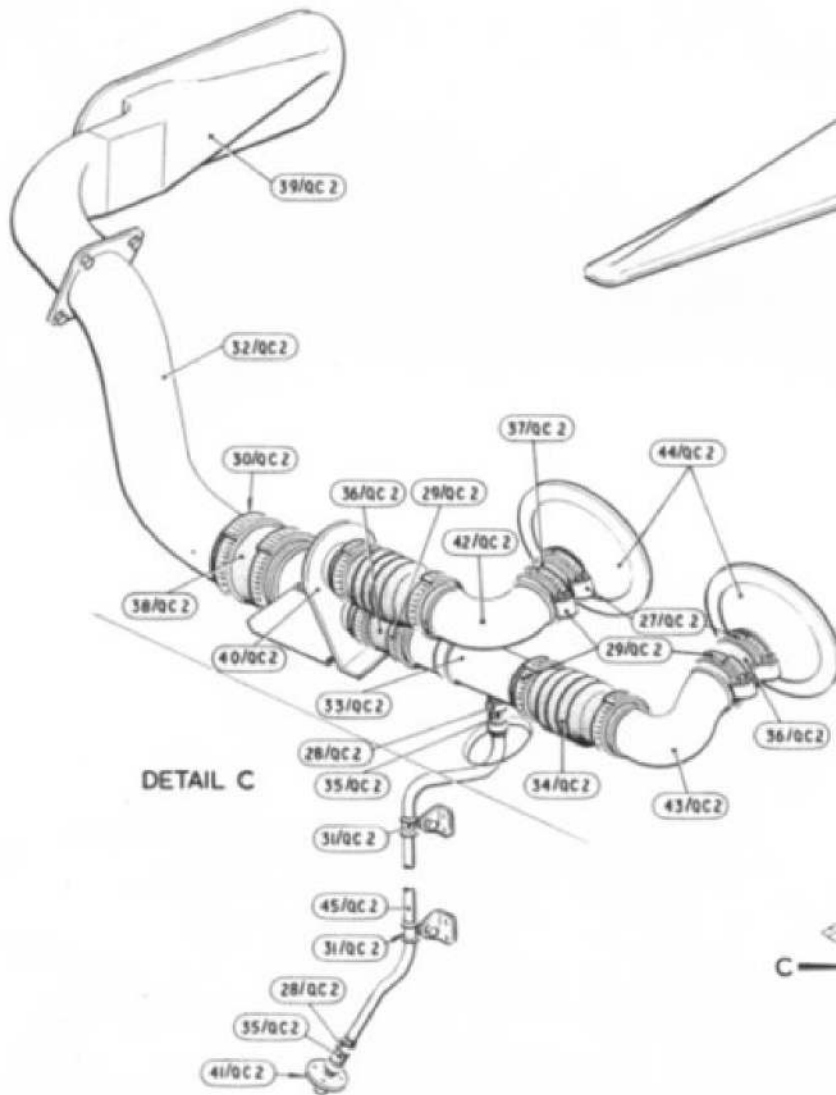
COOLING SYSTEM
POWER UNITS AND RADAR EQUIPMENT



DETAIL A

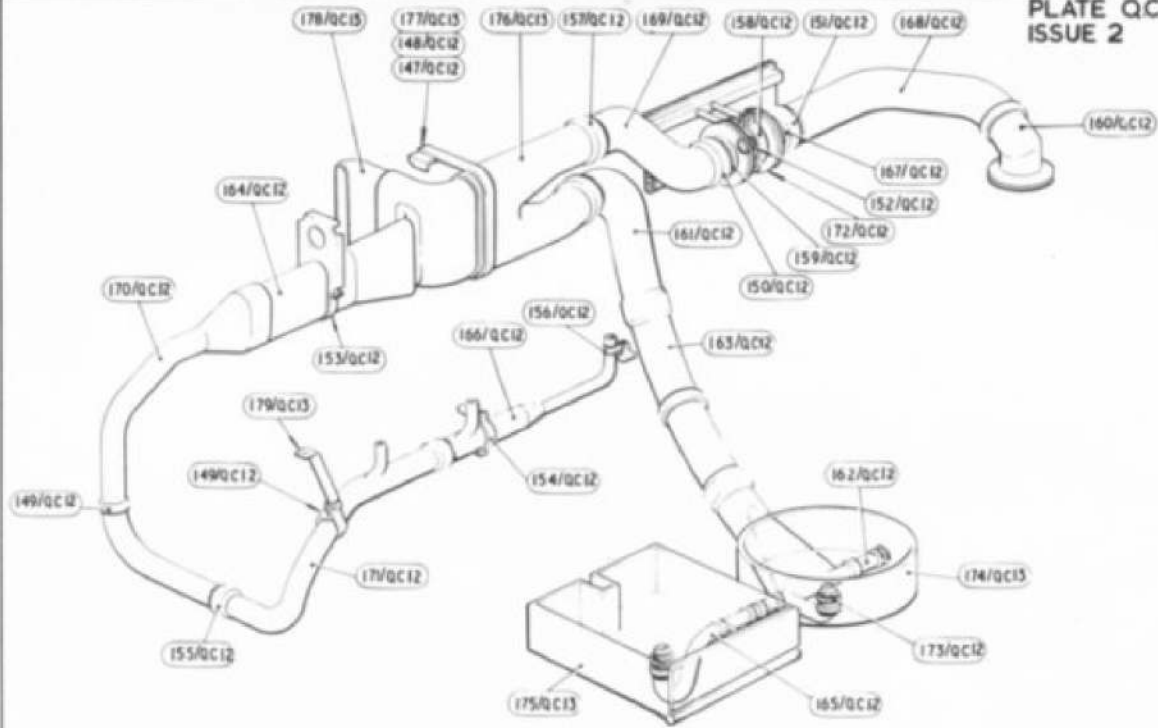


DETAIL B

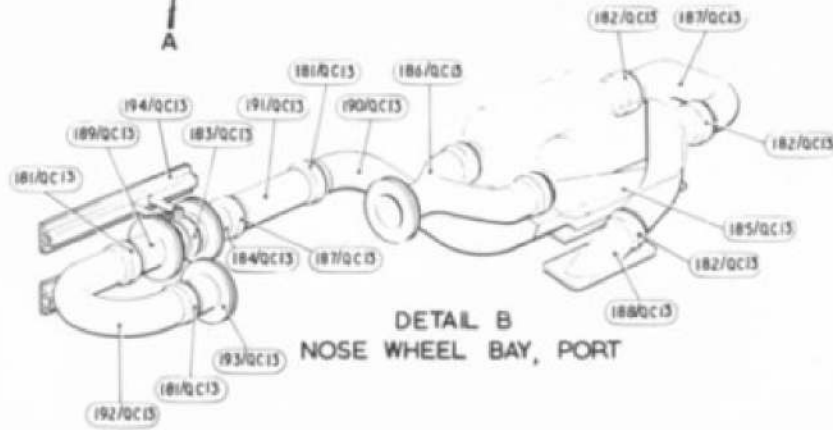
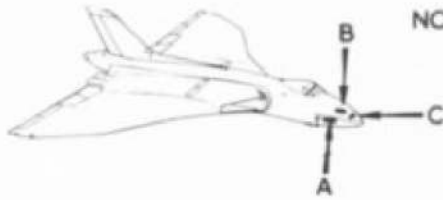


DETAIL C

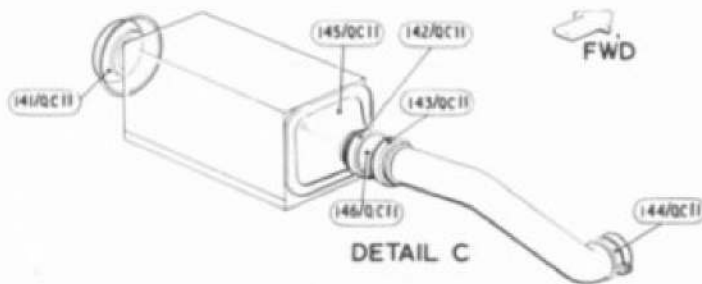
COOLING SYSTEM
POWER UNITS AND RADAR EQUIPMENT



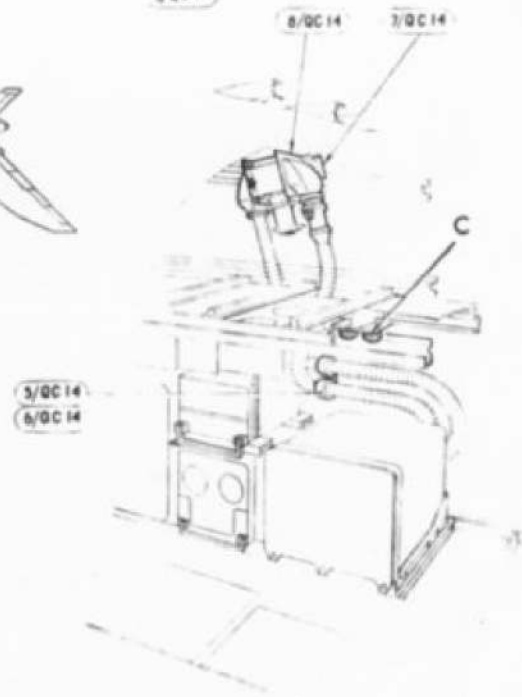
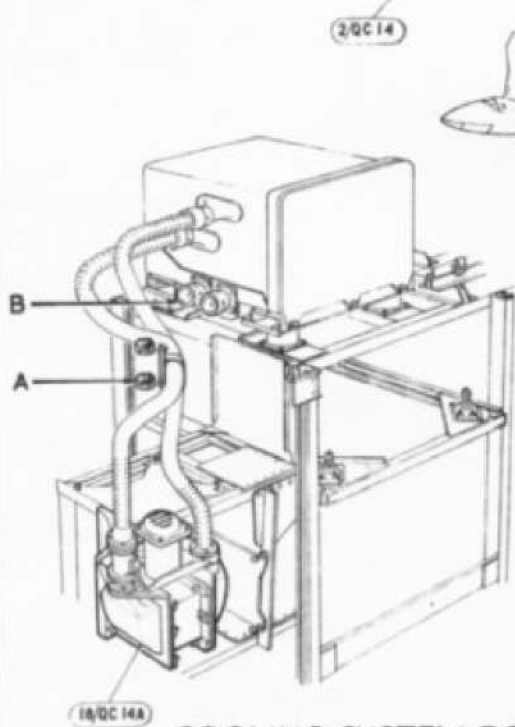
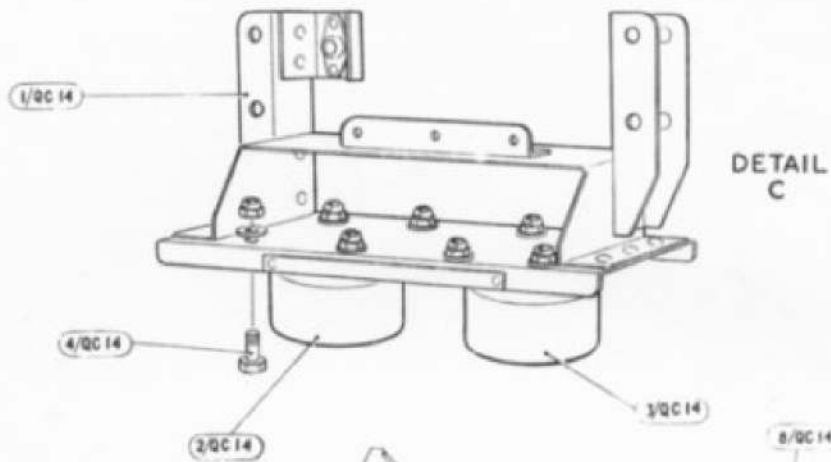
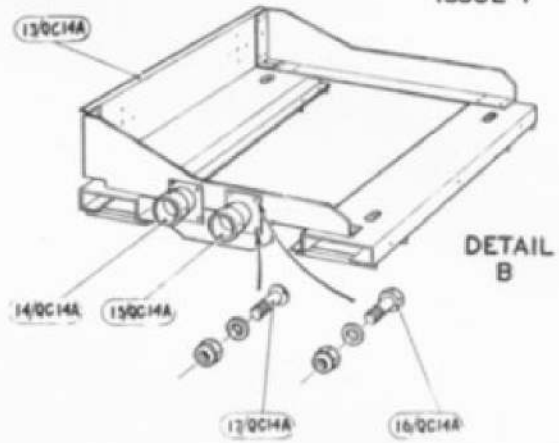
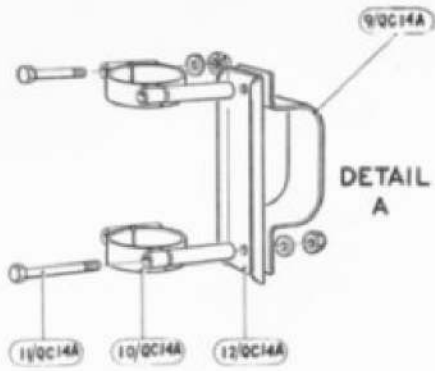
DETAIL A
NOSE WHEEL BAY, STARBOARD



DETAIL B
NOSE WHEEL BAY, PORT



DETAIL C
COOLING SYSTEM
POWER UNITS AND RADAR EQUIPMENT



COOLING SYSTEM POWER UNITS & RADAR EQUIPMENT

This file was downloaded
from the RTFM Library.
Link: www.scottbouch.com/rtfm
Please see site for usage terms,
and more aircraft documents.

