

SERVICES  
EMERGENCY AIR SYSTEM

Ref. No.	Part No.	Description	No. off	Mati. Spec.	Cl. of St.	Plate and Illust'n No.
					M.R.	
		1 2 3 4				
		EMERGENCY AIR SYSTEM (Q1875, Q1876, Q2079, Q2080, Q1879) Spares for:—				
3300	54SS3568	Adaptor .....	2	—	C	QD2/1
6D/9429887	—	Bottle, air and tee 6D/422 .....	2	—	A	QD1/2
6A/2693	—	Gauge, pressure, nose wheel bay .....	2	—	A	QD1/3
	3Q1876	Panel, less pipes, valves and bottles .....	1	—		QD1/4
	DUNLOP G2/W14/ DAS7007/39	Pipe, flexible, nosewheel u/c doors .....	1	—		QD1/5
27VA/6115904	DUNLOP G2/W14/ DAS7007/45	Pipe, flexible, nosewheel u/c doors .....	1	—	C	QD1/6
	26Q1869	PIPE, 3/16" O/D x 22G xc 96" LONG .....	1	DTD323A		
	105Q1869	PIPE, 3/16" O/D x 22G, MAIN U/C JACK ... TO AFT TEE-PIECE, STARBOARD, GROUP (Mod. 2236)	1	DTD5016	MR	QD2/7
1505164	85Q1869	PIPE, 3/16" O/D x 22G, AFT TEE-PIECE .... TO ADAPTOR IN MAIN U/C BAY, STARBOARD, GROUP (Pre-Mod. 2236)	1	DTD323A	C	
	104Q1869	PIPE, 3/16" O/D x 22G, AFT TEE-PIECE .... TO ADAPTOR IN MAIN U/C BAY, STARBOARD, GROUP (Mod. 2236)	1	DTD5016	MR	QD2/8
	78Q1869	PIPE, 3/16" O/D x 22G x 89" LONG .....	1	DTD323A		
	103Q1869	PIPE, 3/16" O/D x 22G, AFT TEE-PIECE .... TO UNION IN MAIN U/C BAY, STAR- BOARD, GROUP (Mod. 2236)	1	DTD5016	C	QD2/9
1505224	77Q1869	PIPE, 3/16" O/D x 22G x 63" LONG .....	1	DTD323A	MR	
	100Q1869	PIPE, 3/16" O/D x 22G, UNION TO TEE- .... PIECE IN LINE TO JETTISON VALVE, MAIN U/C BAY, STARBOARD, GROUP (Mod. 2236)	1	DTD5016	MR	QD2/10

SERVICES  
EMERGENCY AIR SYSTEM

Ref. No.	Part No.	Description	No. off	Matl. Spec.	Cl. of St.	Plate and Illust'n No.
					M.R.	
		1 2 3 4				
		EMERGENCY AIR SYSTEM (Q1875, Q1876, Q2079, Q2080, Q1879) (Cont'd)				
	20Q1869	PIPE, 3/16" O/D x 22G x 24" LONG ..... APPROX., TEE-PIECE TO TEE-PIECE MAIN U/C BAY, STARBOARD, GROUP (Pre-Mod. 2236)	1	DTD.323A		
	101Q1869	PIPE, 3/16" O/D x 22G, TEE-PIECE ..... TO TEE-PIECE, MAIN U/C BAY, STARBOARD, GROUP (Mod. 2236)	1	DTD5016	MR	QD2/11
	27Q1869	PIPE, 3/16" O/D x 22G x 120" LONG ..... APPROX., TEE-PIECE TO AFT DOOR JACK, MAIN U/C BAY, STARBOARD, GROUP (Pre-Mod. 2236)	1	DTD323A		
	102Q1869	PIPE, 3/16" O/D x 22G, TEE-PIECE ..... TO AFT DOOR JACK, MAIN U/C BAY, STARBOARD, GROUP (Mod. 2236)	1	DTD5016	MR	QD2/12
	19Q1869	PIPE, 3/16" O/D x 22G x 96" LONG ..... APPROX., TEE-PIECE TO FORWARD DOOR, JACK, MAIN U/C BAY, STARBOARD, GROUP (Pre-Mod. 2236)	1	DTD323A	MR	
	98Q1869	PIPE, 3/16" O/D x 22G, TEE-PIECE ..... TO FORWARD DOOR JACK, MAIN U/C BAY, STARBOARD, GROUP (Mod. 2236)	1	DTD5016	MR	QD2/13
	22Q1869	PIPE, 3/16" x 22G x 24" LONG APPROX., .. TEE-PIECE TO JETTISON VALVE, MAIN U/C BAY, STARBOARD, GROUP (Pre-Mod. 2236)	1	DTD323A		
1505220	99Q1869	PIPE, 3/16" x 22G, TEE-PIECE TO ..... JETTISON VALVE, MAIN U/C BAY, STARBOARD, GROUP (Mod. 2236)	1	DTD5016	C	QD2/14
	23Q1869	PIPE, 3/16" x 22G x 84" LONG APPROX., .. JETTISON VALVE TO UNION, MAIN U/C BAY, STARBOARD, GROUP (Pre-Mod. 2236)	1	DTD323A		

VULCAN Mk. 2

SERVICES  
EMERGENCY AIR SYSTEM

Ref. No.	Part No.	Description	No. off	Matl. Spec.	Cl. of St.	Plate and Illust'n No.
					M.R.	
		1 2 3 4				
3430	97Q1869	EMERGENCY AIR SYSTEM (Q1875, Q1876, Q2079, Q2080, Q1879) (Cont'd) PIPE, 3/16" x 22G, JETTISON VALVE TO UNION, MAIN U/C BAY, STARBOARD, GROUP (Mod. 2236)	1	DTD5016	MR	QD2/15
	33Q1869	PIPE, 3/16" O/D x 22G x 108" LONG APPROX., UNION IN MAIN U/C BAY TO UNION ON FRONT SPAR, JET BAY, STARBOARD, GROUP	1	DTD323A		QD2/16

SERVICES  
EMERGENCY AIR SYSTEM

Ref. No.	Part No.	Description	No. off	Matl. Spec.	Cl. of St.	Plate and Illust'n No.
					M.R.	
		1 2 3 4				
		EMERGENCY AIR SYSTEM (Q1815, Q1876, Q2079, Q2080) (Cont'd)				
	80Q1869	PIPE, 3/16" o/d x 22G x 34" LONG ..... APPROX., BETWEEN UNIONS ON FRONT SPAR IN JET BAY, STARBOARD, GROUP	1	DTD323A	MR	QD2/17
	82Q1869	PIPE, 3/16" o/d x 22G x 21" LONG ..... APPROX., UNION IN JET BAY TO UNION IN BOMB BAY, STARBOARD, GROUP	1	DTD323A		QD2/18
	63Q1869	PIPE, 3/16" o/d x 22G x 72" LONG ..... APPROX., UNION TO UNION ON FRONT SPAR, STARBOARD, GROUP	1	DTD323A	MR	QD2/19
	35Q1869	PIPE, 3/16" o/d x 22G x 72" LONG ..... APPROX., UNION TO ADAPTOR AT FRONT SPAR, STARBOARD, GROUP	1	DTD323A	MR	QD2/20
	36Q1869	PIPE, 3/16" o/d X 22G x 72" LONG ..... APPROX., ADAPTOR AT BULKHEAD 75" TO UNION IN AIR INTAKE, STAR- BOARD, GROUP	1	DTD323A	MR	QD2/21
	37Q1869	PIPE, 3/16" o/d x 22G x 84" LONG ..... APPROX., UNION IN AIR INTAKE TO ADAPTOR AT NOSE WHEEL BAY, STARBOARD, GROUP	1	DTD323A		QD2/22
3190	38Q1869	PIPE, 3/16" o/d x 22G x 42" LONG ..... APPROX., ADAPTOR TO TEE-PIECE IN NOSE WHEEL BAY, STARBOARD, GROUP	1	DTD323A	C	QD1/23
	66Q1869	PIPE, 3/16" o/d x 22G x 72" LONG ..... APPROX., TEE-PIECE TO OUTER RELEASE VALVE, NOSEWHEEL BAY, STARBOARD, GROUP	1	DTD323A		QD1/24
	67Q1869	PIPE, 3/16" o/d x 22G x 48" LONG ..... APPROX., OUTER RELEASE VALVE TO UNION IN LINE TO AIR BOTTLE NOSE WHEEL BAY, STARBOARD, GROUP	1	DTD323A	MR	QD1/25
	42Q1869	PIPE, 3/16" o/d x 22G x 30" LONG ..... APPROX., UNION TO INNER AIR BOTTLE, NOSE WHEEL BAY, STARBOARD, GROUP	1	DTD323A	MR	QD1/26
11943	58Q1869	PIPE, 3/16" o/d x 22G x 12" LONG ..... APPROX., INNER AIR BOTTLE TO PRESSURE RELIEF VALVE NOSE WHEEL BAY, STARBOARD, GROUP	1	DTD323A	C	QD1/27
	59Q1569	PIPE, 3/16" o/d x 22G x 18" LONG ..... APPROX., P.R. VALVE TO TEE-PIECE NOSEWHEEL BAY, STARBOARD, GROUP	1	DTD323A	MR	QD1/28

SERVICES  
EMERGENCY AIR SYSTEM

Ref. No.	Part No.	Description	No. off	Matl. Spec.	Cl. of St.	Plate and Illust'n No.
					M.R.	
		EMERGENCY AIR SYSTEM (Q1875, Q1876, Q2079, Q2080) (Cont'd)				
	61Q1869	PIPE, 3/16" o/d x 22G x 8" LONG . . . . . APPROX., TEE-PIECE TO GAUGE ON EMERGENCY AIR PANEL, GROUP	1	DTD323A	MR	QD1/29
1505142	60Q1869	PIPE, 3/16" o/d x 22G x 12" LONG . . . . . APPROX., TEE-PIECE TO CHARGING VALVE ON EMERGENCY AIR PANEL, GROUP	1	DTD323A		QD1/30
3154	74Q1869	PIPE, 3/16" o/d x 22G x 42" LONG . . . . . APPROX., NOSEWHEEL U/C JACK PIPE SWIVEL BLOCK TO UNION, GROUP	1	DTD323A	C	QD1/31
	73Q1869	PIPE, 3/16" o/d x 22G x 84" LONG . . . . . APPROX., UNION TO TEE-PIECE IN NOSEWHEEL BAY, STARBOARD, GROUP	1	DTD323A	MR	QD1/32
3205	70Q1869	PIPE, 3/16" o/d x 22G x 36" LONG . . . . . APPROX., TEE-PIECE IN LINE TO CONNECTOR BLOCKS, NOSEWHEEL BAY, GROUP	1	DTD323A	C	QD1/33
	71Q1869	PIPE, 3/16" o/d x 22G x 30" LONG . . . . . APPROX., TEE-PIECE TO STARBOARD CONNECTOR BLOCK, NOSEWHEEL BAY, GROUP	1	DTD323A	MR	QD1/34
	72Q1869	PIPE, 3/16" o/d x 22G x 30" LONG . . . . . APPROX., TEE-PIECE TO PORT CONNec- TOR BLOCK, NOSEWHEEL BAY, GROUP	1	DTD323A		QD1/35
	48Q1869	PIPE, 3/16" o/d x 22G x 72" LONG . . . . . APPROX., TEE-PIECE TO UNION AT FORMER 115.5", NOSEWHEEL BAY, GROUP	1	DTD323A	MR	OG1/36
3206	53Q1869	PIPE, 3/16" o/d x 22G x 96" LONG . . . . . APPROX., UNION AT FORMERS 115.5", NOSEWHEEL BAY, GROUP	1	DTD323A	C	QD1/37
	65Q1869	PIPE, 3/16" o/d x 22G x 72" LONG . . . . . APPROX., JETTISON VALVE TO UNION IN LINE TO RELEASE VALVES NOSEWHEEL BAY, GROUP	1	DTD323A	MR	QD1/38
	47Q1869	PIPE, 3/16" o/d x 22G x 102" LONG . . . . . APPROX., UNION TO JETTISON VALVE NOSEWHEEL BAY, PORT, GROUP	1	DTD323A	MR	QD1/39
	69Q1869	PIPE, 3/16" o/d x 22G x 132" LONG . . . . . APPROX., UNION TO INNER RELEASE VALVE, NOSEWHEEL BAY, STARBOARD, GROUP	1	DTD323A	MR	QD1/40

SERVICES  
EMERGENCY AIR SYSTEM

Ref. No.	Part No.	Description	No. off	Mati. Spec.	Cl. of	Plate and Illust'n No.
					St. M.R.	
		1 2 3 4				
		EMERGENCY AIR SYSTEM (Q1875, Q1876, Q2079, Q2080) (Cont'd)				
	68Q1869	PIPE, 3/16" o/d x 22G x 48" LONG ..... APPROX., RELEASE VALVE TO UNION IN LINE TO AIR BOTTLE NOSEWHEEL BAY, STARBOARD, GROUP	1	DTD323A	MR	QD1/41
3193	43Q1869	PIPE, 3/16" o/d x 22G x 18" LONG ..... APPROX., UNION TO AIR BOTTLE, NOSEWHEEL BAY, STARBOARD, GROUP	1	DTD323A	C	QD1/42
	54Q1869	PIPE, 3/16" o/d x 22G x 12" LONG ..... APPROX., AIR BOTTLE TO AFT UNION NOSEWHEEL BAY, STARBOARD, GROUP	1	DTD323A		QD1/43
	55Q1869	PIPE, 3/16" o/d x 22G x 18" LONG ..... APPROX., AFT UNION TO TEE-PIECE NOSEWHEEL BAY, STARBOARD, GROUP	1	DTD323A	MR	QD1/44
11943	58Q1869	PIPE, 3/16" o/d x 22G x 8" LONG ..... APPROX., TEE-PIECE TO PORT PRESSURE GAUGE, NOSEWHEEL BAY, GROUP	1	DTD323A	C	QD1/45
	56Q1869	PIPE, 3/16" o/d x 22G x 12" LONG ..... APPROX., TEE-PIECE TO PORT CHARGING VALVE NOSEWHEEL BAY, GROUP	1	DTD323A		QD1/46
	40Q1869	PIPE, 3/16" o/d x 22G x 126" LONG ..... APPROX., TEE-PIECE, STARBOARD TO ADAPTOR, PORT, IN NOSEWHEEL BAY, GROUP	1	DTD323A	MR	QD1/47
	87Q1869	PIPE, 3/16" o/d x 22G x 84" LONG ..... APPROX., ADAPTOR AT NOSEWHEEL BAY TO UNION IN AIR INTAKE, PORT, GROUP	1	DTD323A	MR	QD2/48
1433385	83Q1869	PIPE, 3/16" o/d x 22G x 72" LONG ..... APPROX., UNION TO AFT ADAPTOR IN AIR INTAKE, PORT, GROUP (Mod. 514)	1	DTD323A	C	QD2/69
	30Q1809	PIPE, 3/16" o/d x 22G x 72" LONG ..... APPROX., AFT ADAPTOR IN AIR INTAKE TO UNION IN JET BAY, PORT, GROUP	1	DTD323A	MR	QD2/50
	62Q1869	PIPE, 3/16" o/d x 22G x 72" LONG ..... APPROX., UNION TO UNION IN JET BAY, PORT, GROUP	1	DTD323A	MR	QD2/51
	81Q1869	PIPE, 3/16" o/d x 22G x 19" LONG ..... APPROX., UNION ON JET BAY TO UNION ON FRONT SPAR, PORT, GROUP	1	DTD323A	MR	QD2/52
	79Q1869	PIPE, 3/16" o/d x 22G x 15" LONG ..... APPROX., UNION TO UNION ON FRONT SPAR, PORT, GROUP	1	-	MR	QD2/53

VULCAN Mk. 2

SERVICES  
EMERGENCY AIR SYSTEM

Page QD. 5

Ref. No.	Part No.	Description	No. off	Matl. Spec.	Cl. of St.	Plate and Illust'n No.
					M.R.	
		1 2 3 4				
		EMERGENCY AIR SYSTEM (Q1875, Q1876, Q2079, Q2080, Q1879) (Cont'd)				
	28Q1869	PIPE, 3/16" O/D x 22G x 108" LONG ..... APPROX., UNION ON FRONT SPAR TO UNION IN MAIN U/C BAY, PORT, GROUP	1	DTD323A	MR	QD2/54
	14Q1869	PIPE, 3/16" O/D x 22G x 72" LONG ..... APPROX., UNION TO JETTISON VALVE, MAIN U/C BAY, PORT, GROUP (Pre-Mod. 2236)	1	DTD323A	MR	
	88Q1869	PIPE, 3/16" O/D x 22G x 72" LONG ..... APPROX., UNION TO JETTISON VALVE, MAIN U/C BAY, PORT, GROUP (Mod. 2236)	1	DTD5016	MR	QD2/55
	13Q1869	PIPE, 3/16" O/D x 22G x 2-1/2" LONG ..... APPROX., JETTISON VALVE TO TEE-PIECE, MAIN U/C BAY, PORT, GROUP (Pre-Mod. 2236)	1	DTD323A		
1505211	90Q1869	PIPE, 3/16" O/D x 22G x 2-1/2" LONG ..... APPROX., JETTISON VALVE TO TEE-PIECE, MAIN U/C BAY, PORT, GROUP (Mod. 2236)	1	DTD5016		QD2/56
	12Q1869	PIPE, 3/16" O/D x 22G x 18" LONG ..... APPROX., TEE-PIECE TO TEE-PIECE, MAIN U/C BAY, PORT, GROUP (Pre-Mod. 2236)	1	DTD323A		
1505217	96Q1869	PIPE, 3/16" O/D x 22G x 18" LONG ..... APPROX., TEE-PIECE TO TEE-PIECE, MAIN U/C BAY, PORT, GROUP (Mod. 2236)	1	DTD5016		QD2/57
	10Q1869	PIPE, 3/16" O/D x 22G x 60" LONG ..... APPROX., TEE-PIECE TO FORWARD DOOR JACK, MAIN U/C BAY, PORT, GROUP (Pre-Mod. 2236)	1	DTD323A		
	89Q1869	PIPE, 3/16" O/D x 22G x 60" LONG ..... APPROX., TEE-PIECE TO FORWARD DOOR JACK, MAIN U/C BAY, PORT, GROUP (Mod. 2236)	1	DTD5016	MR	QD2/58
3246	11Q1869	PIPE, 3/16" O/D x 22G x 42" LONG ..... APPROX., TEE-PIECE TO AFT DOOR JACK, MAIN U/C BAY, PORT, GROUP (Pre-Mod. 2236)	1	DTD323A	C	

SERVICES  
EMERGENCY AIR SYSTEM

Ref. No.	Part No.	Description	No. off	Matl. Spec.	Cl. of St.	Plate and Illust'n No.
					M.R.	
		1 2 3 4 EMERGENCY AIR SYSTEM (Q1875, Q1876, Q2079, Q2080, Q1879) (Cont'd)				
	91Q1869	PIPE, 3/16" O/D x 22G x 42" LONG ..... APPROX., TEE-PIECE TO AFT DOOR JACK, MAIN U/C BAY, PORT, GROUP (Mod. 2236)	1	DTD5016	MR	QD2/59
	76Q1869	PIPE, 3/16" O/D x 22G x 71" LONG ..... APPROX., TEE-PIECE TO AFT UNION, MAIN U/C BAY, PORT, GROUP (Pre-Mod. 2236)	1	DTD323A		
	92Q1869	PIPE, 3/16" O/D x 22G x 71" LONG ..... APPROX., TEE-PIECE TO AFT UNION, MAIN U/C BAY, PORT, GROUP (Mod. 2236)	1	DTD5016	MR	QD2/60
	75Q1869	PIPE, 3/16" O/D x 22G x 80" LONG ..... APPROX., AFT UNION TO AFT TEE- PIECE, MAIN U/C BAY, PORT, GROUP (Pre-Mod. 2236)	1	DTD323A	MR	
	93Q1869	PIPE, 3/16" x 22G x 80" LONG ..... APPROX., AFT UNION TO AFT TEE-PIECE, MAIN U/C BAY, PORT, GROUP (Mod. 2236)	1	DTD5016	MR	QD2/61
	18Q1869	PIPE, 3/16" x 22G x 66" LONG ..... APPROX., AFT TEE-PIECE TO MAIN U/C JACK, PORT, GROUP (Pre-Mod. 2236)	1	DTD323A	MR	
	95Q1869	PIPE, 3/16" x 22G x 66" LONG ..... APPROX., AFT TEE-PIECE TO MAIN U/C JACK, PORT, GROUP (Mod. 2236)	1	DTD5016	MR	QD2/62
	86Q1869	PIPE, 3/16" x 22G, AFT TEE- PIECE TO ADAPTOR, MAIN U/C BAY, PORT, GROUP (Pre-Mod. 2236)	1	DTD323A	MR	
1505215	94Q1869	PIPE, 3/16" x 22G, AFT TEE- PIECE TO ADAPTOR, MAIN U/C BAY, PORT, GROUP (Mod. 2236)	1	DTD5016		QD2/63
	13SS3555	Sleeve, flanged .....	2	-	MR	QD1/64

VULCAN Mk. 2

SERVICES  
EMERGENCY AIR SYSTEM

Page QD. 5B

Ref. No.	Part No.	Description	No. off	Matl. Spec.	Cl. of	Plate and Illust'n No.
					St. M.R.	
		1 2 3 4				
		EMERGENCY AIR SYSTEM (Q1875, Q1876, Q2079, Q2080, Q1879) (Cont'd)				
	7Q1847	STRAP, FOR AIR BOTTLE, GROUP .....	4	—	MR	QD1/65
	A58.MK.2	Valve, charging .....	2	—		QD1/66
27QM/4154228	DOWTY C7037Y	Valve, release, in nose wheel bay .....	2	—	A	QD2/67
	DUNLOP ACM23256	Valve, pressure relief (Mod. 1804) .....	2	—	A	QD1/68
28F/9428453	AGS.1186B	Washer, sealing .....	2	—	C	

SERVICES  
EMERGENCY AIR SYSTEM

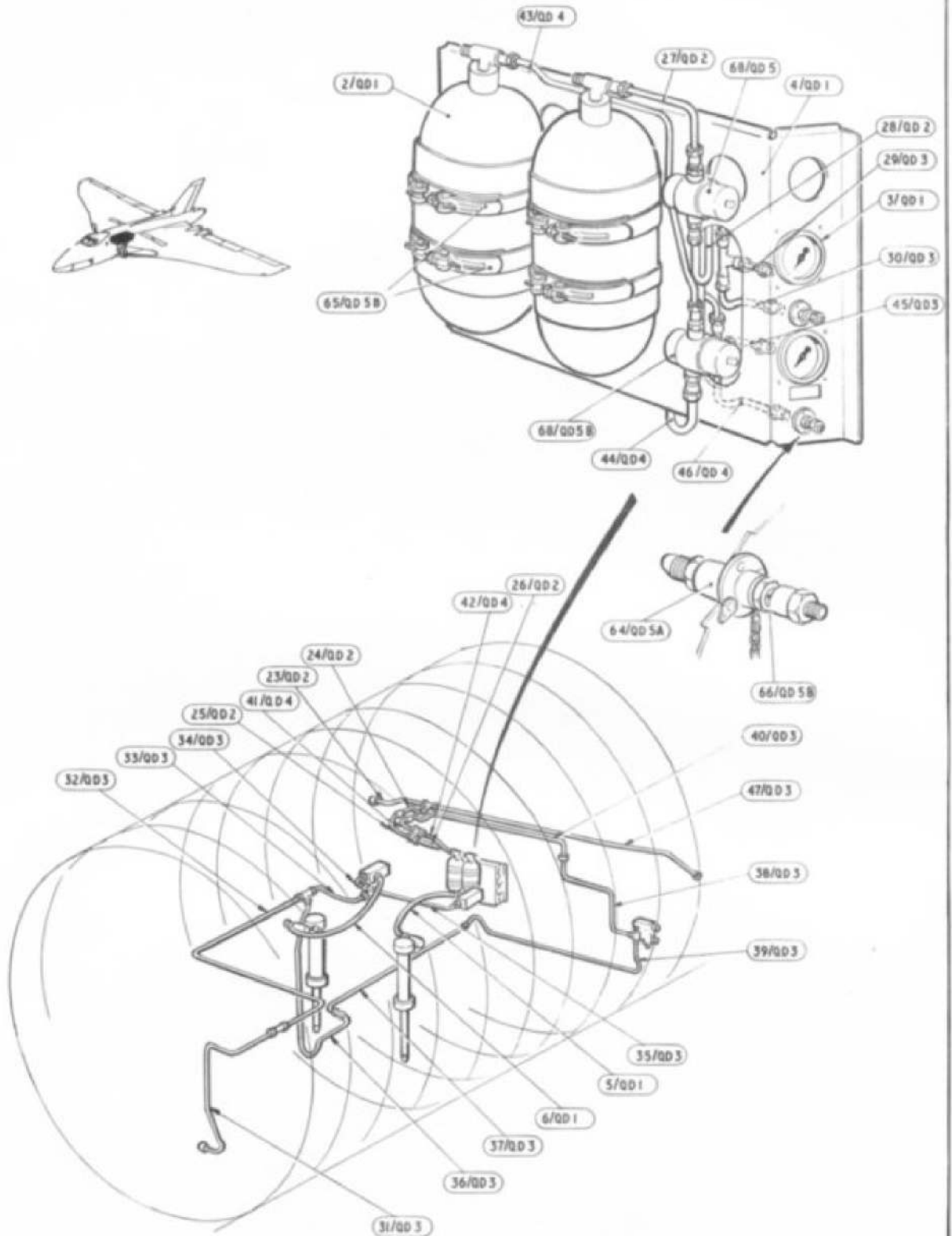
Ref. No.	Part No.	Description	No. off	Mach. Spec.	Cl. of St.	Plate and Illust'n No.
					M.R.	
		1 2 3 4				
		CONTROL EMERGENCY AIR (1Z7600)				
		Spares for:—				
2515	1Z7668	BOX, RETURN SPRING, GROUP .....	1	—	C	QD3/69
		Consisting of:—				
2517	5Z7668	Eye-end .....	1	S96	C	
	2Z7668	Housing .....	1	L72		
28M/1006473	A27/CT	Nut, thin, 2 BA .....	1	—	C	
	3Z7668	Plunger .....	1	S1		
	6Z7668	Sleeve .....	1	DTD464		
	4Z7668	Spring .....	1	—		
	20Z7511	Bracket, cover, at former 358" .....	1	DTD721		QD3/70
21711	26Z7600	Collar, cover, return spring .....	2	—	C	QD3/71
21710	25Z7600	Eyelet, return spring .....	2	—	C	QD3/72
	7Z7600	FAIRLEAD, FOR TIE-ROD, GROUP .....	5	—		QD3/73
21706	14Z7600	Fairlead .....	3	BSS668	C	QD3/74
2516	1SS4091	Fork-end, R.H. ....	2	—	C	QD3/75
	2SS4178	Fork-end, L.H. ....	3	—	MR	QD3/76
	—	GUARD, EMERGENCY AIR CONTROL ROD (1Z9475) (Mod. 382)				
		Spares for:—				
	2Z9475	GUARD, HALF, AFT, GROUP .....	1	—		QD3/77
	3Z9475	GUARD, HALF, FORWARD, GROUP .....	1	—		QD3/78
	3Z7600	Lever, bell crank .....	1	DTD298	MR	QD3/79
	—	LEVER, SINGLE ARM (Z7667) .....				
		Spares for:—				
21705	6Z7667	LEVER, GROUP .....	1	—	B	QD3/80
		Consisting of:—				
4714	1SS4084	Bush .....	2	—	MR	
	CT51	Bush, 1/2" long .....	1	Oilite	C	
	6Z27667	Lever .....	1	DTD364		
	9Z7666	Spigot .....	1	DTD364		QD3/81
	—	LEVER, DOUBLE ARM (Z7666) .....				
		Spares for:—				
28D/9140644	A25/6C	Bolt, hex. hd., 2 BA .....	1	—	C	QD3/82
21703	8Z7666	LEVER, GROUP .....	—	—	B	QD3/83
		Consisting of:—				
4714	1SS4084	Bush .....	1	—	MR	
	CT51	Bush, 1/2" long .....	1	Oilite	C	
	8aZ7666	Lever .....	—	DTD364		
28M/5808573	A27/CS	Nut, slotted, 2 BA .....	1	—	C	
28W/9419402	SP13/C	Washer, 2 BA .....	1	—	C	
21704	10Z7666	Washer, 3/4" dia. x 16G .....	1	—	C	
	9Z7666	Spigot .....	1	DTD364		QD3/84

SERVICES  
EMERGENCY AIR SYSTEM

Ref. No.	Part No.	Description	No. off	Matl. Spec.	Cl. of St.	Plate and Illust'n No.
					M.R.	
1 2 3 4						
		CONTROL, EMERGENCY AIR (1Z7600) (Cont'd)				
		LEVER, SINGLE ARM (19Z7600) (Replaces Z7667 when reverse sense aileron control is fitted)				
		Spares for:—				
21705	6Z7667	LEVER, GROUP .....	1	—	B	
		Consisting of:—				
		Bush .....	2	—	MR	
4714	1SS4084 CT51 6aZ7667	Bush, 1/2" long .....	1	Oilite DTD364	C	
		Lever .....	1			
	9Z7666	Spigot .....	1	DTD364		
		LEVER, DOUBLE ARM (20Z7600) .....				
		(Replaces Z7666 when reverse sense aileron control is fitted)				
		Spares for:—				
21703	8Z7666	LEVER, GROUP .....	1	—	B	
		Consisting of:—				
		Bush .....	1	—	MR	
4714	1SS4084 CT51 8aZ7667	Bush, 1/2" long .....	1	Oilite DTD364	C	
		Lever .....	1			
	9Z7666	Spigot .....	1	—		
13849	23Z7600 GACO MIS010 15D8481 1SK13543	Pin, for return springs .....	2	S1	C	QD3/85
		Seal, at rear pressure bulkhead .....	1	—		QD3/86
		Sleeve, for seal .....	1	—	MR	QD3/87
		Spring, coil, 18 SWG .....	2	Spring Steel	MR	QD3/88
21701	10Z7600	ROD, CONTROL, GROUP .....	1	—	B	QD3/89
	13Z7600	ROD, CONTROL, GROUP .....	1	—		QD3/90
		Spares for:—				
28M/1007404	A27/JT	Nut, locking, eye-end, 3/8" BSF .....	1	—	C	QD3/91
	25.0.3506	ROD-END, ADJUSTABLE, GROUP .....	1	—	MR	QD3/92
		Spares for:—				
28R/4665592	R & M LTD. CM 3/16" B	Bearing, eye-end .....	1	—	A	
2512	4Z7600	Rod, tie, 3/16" dia., 26" long .....	1	DTD364	C	QD3/93
2513	17Z7600	Rod, tie, 3/16" dia., 123.5" long .....	1	DTD364	C	QD3/94
2514	18Z7600 DOWTY	Rod, tie, 3/16" dia., 104.8" long .....	1	DTD364	C	QD3/95
27QM/4154228	C7307Y	Valve, emergency .....	1	—	A	QD3/96
21709	24Z7600	Washer, for return springs .....	4	S84	C	QD3/97

RESTRICTED

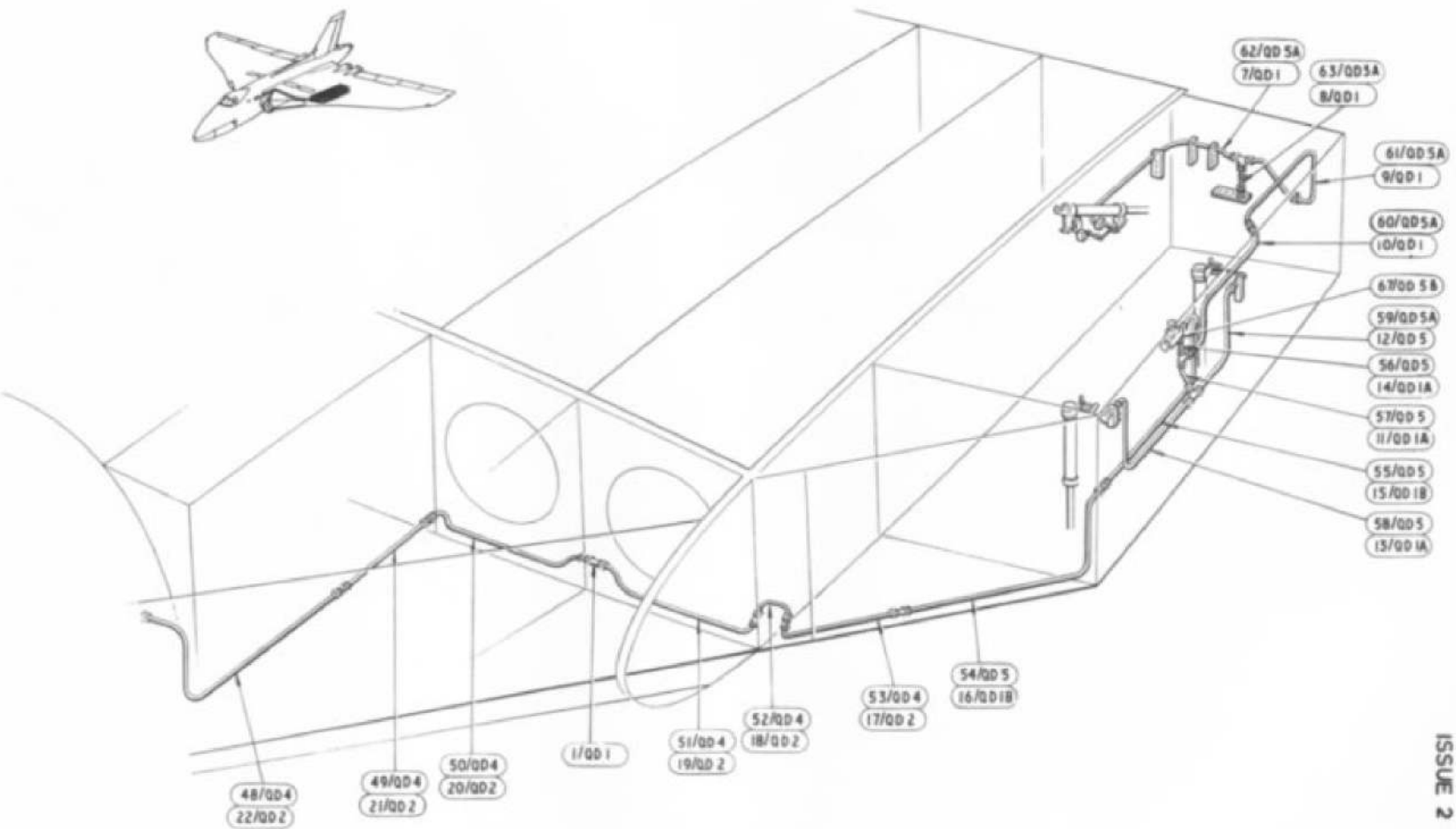
PLATE No. Q.D.1  
ISSUE 2



EMERGENCY AIR SYSTEM  
NOSE WHEEL U/C BAY

RESTRICTED

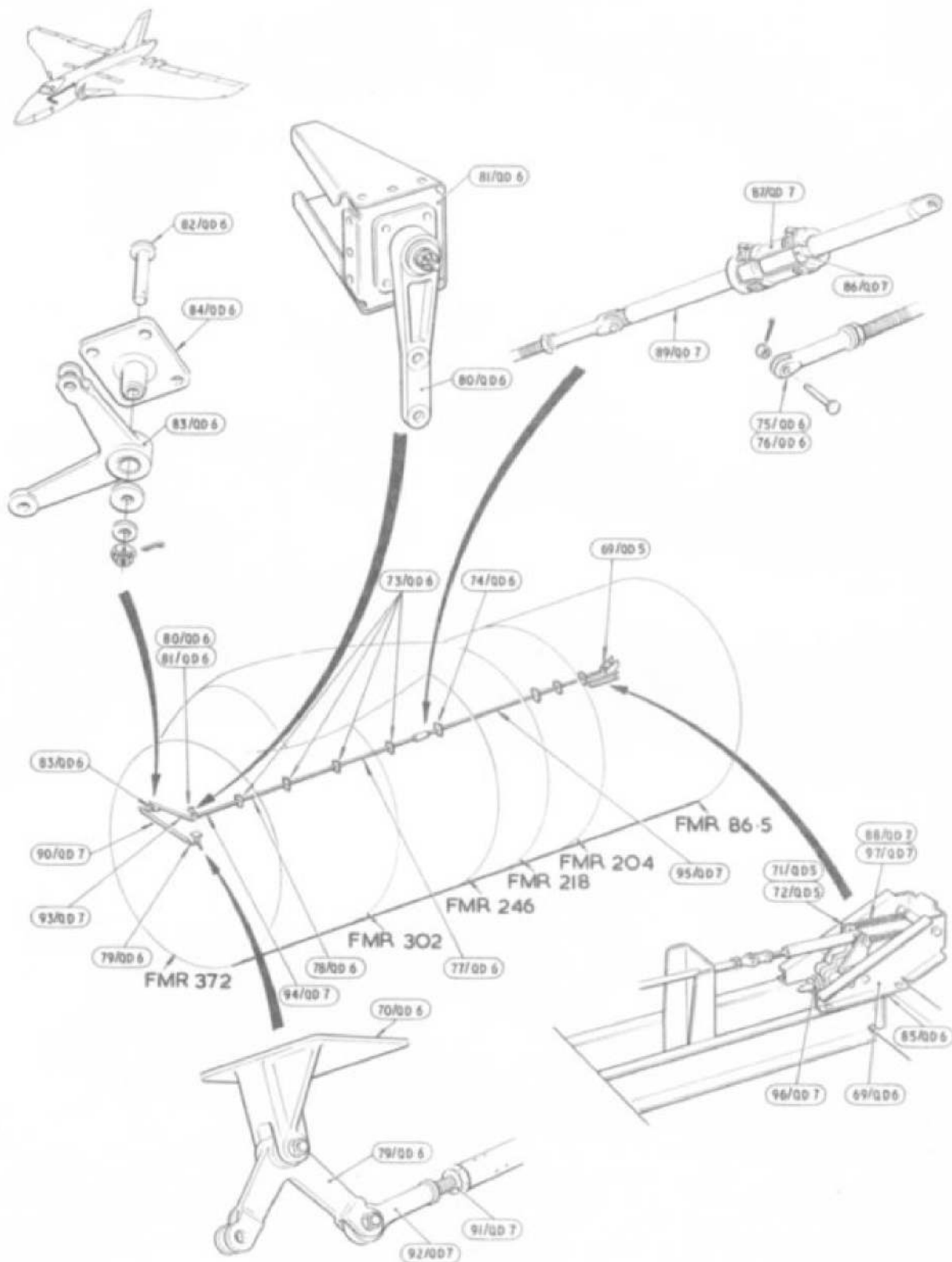
EMERGENCY AIR SYSTEM  
MAIN WHEEL BAY PORT AND STBD.



RESTRICTED

PLATE No. O.D.2  
ISSUE 2

RESTRICTED



EMERGENCY AIR CONTROL  
CREWS NACELLE

This file was downloaded  
from the RTFM Library.

Link: [www.scottbouch.com/rtfm](http://www.scottbouch.com/rtfm)

Please see site for usage terms,  
and more aircraft documents.

