

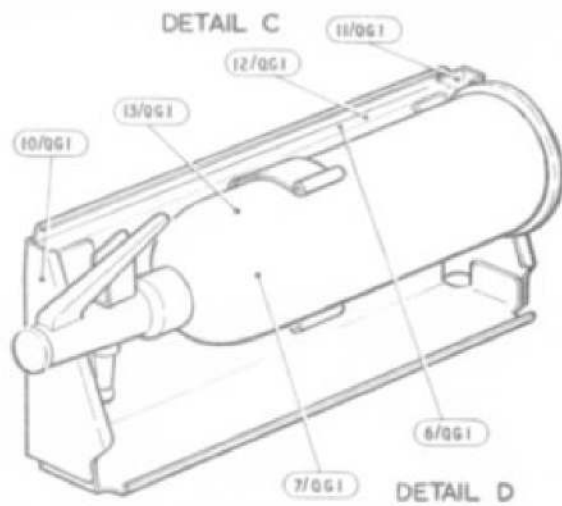
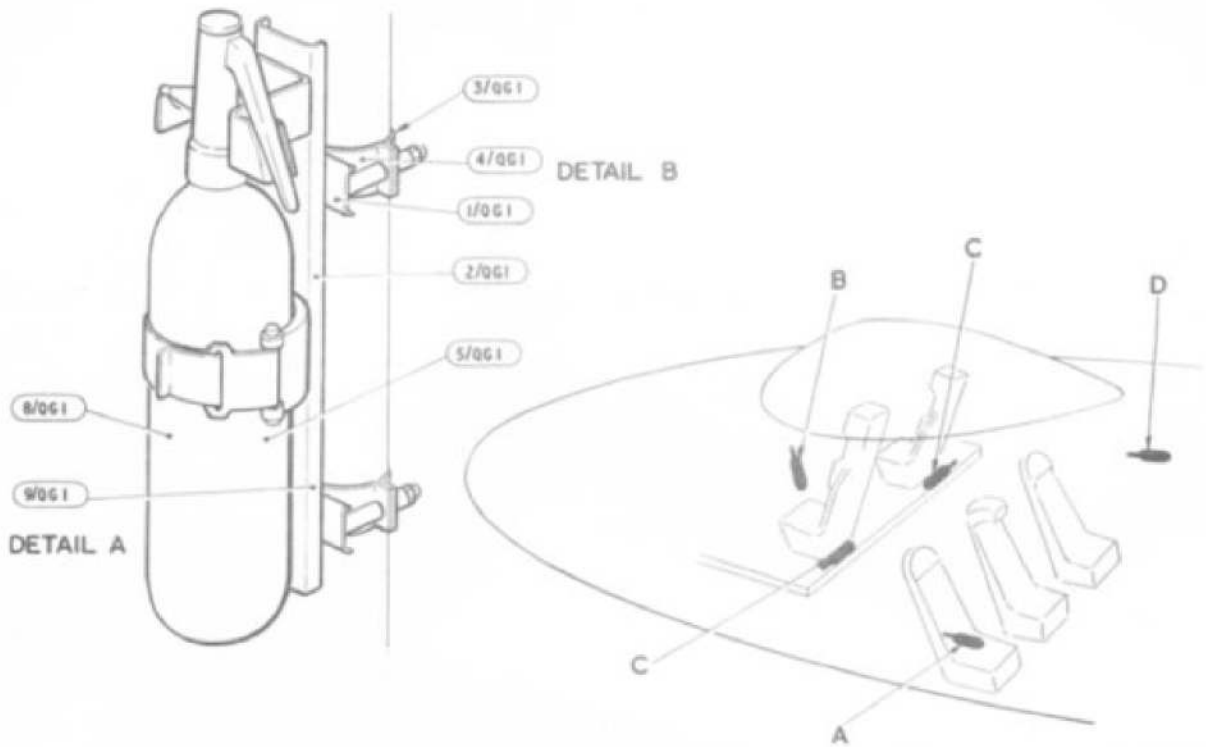
VULCAN Mk. 2

SERVICES

Page QG. 1

FIRE PROTECTION—HAND EXTINGUISHERS

Ref. No.	Part No.	Description	No. off	Matl. Spec.	Cl. of St.	Plate and Illust'n No.
					M.R.	
		1 2 3 4				
		FIRE PROTECTION (HAND EXTINGUISHERS) Spares for:— EXTINGUISHER, FIRE, ON REAR TIE ROD, BELOW PILOT'S FLOOR, PORT (1Z9688) Spares for:—				
21606	2Z9688	BRACKET, MOUNTING, GROUP	2	—	C	QG1/1
4120-99- 1041642	—	Bracket, extinguisher mounting	1	—	B	QG1/2
7955	AY5/SS4234	Clip, half, 1/2" tube	2	—	C	QG1/3
17363	AY4/SS4234	Clip, half, 1.4" tubes	2	—	C	QG1/4
4210-99- 1042111	—	Extinguisher, fire (Mod. 1560)	1	—	A	QG1/5
		EXTINGUISHER, FIRE, AT CREW'S POSITION, STARBOARD (1Z9732) Spares for:—				
4210-99- 1041642	—	Bracket, extinguisher mounting	1	—	B	QG1/6
4210-99- 1042111	—	Extinguisher, fire (Mod. 1560)	1	—	A	QG1/7
		EXTINGUISHER, FIRE, AT CREW'S SEAT, PORT (1Z8592) Spares for:—				
4210-99- 1041642	—	Bracket, extinguisher mounting	1	—	B	QG1/8
4210-99- 1042111	—	Extinguisher, fire (Mod. 1560)	1	—	A	QG1/9
		EXTINGUISHER, FIRE, AT 1st AND 2nd PILOT'S POSITION (1Z7528) Spares for:—				
22153	3Z7528	BRACKET, MOUNTING, PORT, GROUP	1	—	C	QG1/10
	4Z7528	BRACKET, MOUNTING, STB'D, GROUP	1	—		QG1/11
4210-99- 1041642	—	BRACKET, extinguisher mounting	2	—	B	QG1/12
4210-99- 1042111	—	Extinguisher, fire (Mod. 1560)	2	—	A	QG1/13
	—	Extinguisher, fire, in nose at former 400°F (See Fuselage, Nose Portion)	—	—		



FIRE PROTECTION
HAND EXTINGUISHERS

This file was downloaded
from the RTFM Library.
Link: www.scottbouch.com/rtfm

Please see site for usage terms,
and more aircraft documents.

