

SERVICES
HYDRAULIC

Ref. No.	Part No.	Description	No. off	Matl. Spec.	Cl. of St.	Plate and Illust'n No.
					M.R.	
		1 2 3 4				
HYDRAULIC INSTALLATION						
Spares for:—						
BOMB DOOR SYSTEM IN BOMB BAY (Q2210, Q2211) (Mod. 748) (Mod. 905)						
	8Q2211	Bracket, mounting, fairlead, at bomb arch	1	L72		QP1/1
26FP/2453	1SS3859	279", starboard				
26FP/2721	2SS3859	Clip, pipe, 3/16"	20	—	C	
		Clip, pipe	7	—	C	
	10Q1885	FAIRLEAD, PORT, GROUP	9	—	MR	QP1/2
Consisting of:—						
28D/9140644	A25/9C	Bolt, hex. hd., 2 BA	1	—	C	
	10cQ1885	Bonding, 30G x 1/2" wide	1	L16		
	10aQ1885	Fairlead, half, 7/16" x 1/2" x 1-1/2"	1	BSS668		
	10bQ1885	Fairlead, half, 9/16" x 1/2" x 1-1/2"	1	BSS668		
28M/1012015	AGS2001/C1/66	Nut, stiff, 2 BA	1	—	C	
28W/9419475	SP15/C	Washer, 2 BA	1	—	C	
	13Q1885	FAIRLEAD, AT BOMB ARCHES 225" & 243", STARBOARD, GROUP	2	—	MR	QP1/3
Consisting of:—						
28D/9140644	A25/9C	Bolt, hex. hd., 2 BA	2	—	C	
	13cQ1885	Bonding, 30G x 1/2" wide	1	L16		
	13aQ1885	Fairlead, half 1/2" x 1/2" x 4-1/2"	2	BSS668		
28M/1012015	AGS2001/C1/66	Nut, stiff, 2 BA	2	—	C	
28W/9419475	SP15/C	Washer, 2 BA	2	—	C	
	14Q1885	FAIRLEAD, AT BOMB ARCHES 259" & 279" PORT, GROUP	3	—	MR	QP1/4
Consisting of:—						
28D/9140644	A25/9C	Bolt, hex. hd., 2 BA	1	—	C	
	14cQ1885	Bonding, 30G x 1/2" wide	1	L16		
	14aQ1885	Fairlead, half, 1/2" x 5/8" x 2"	1	BSS668		
	14bQ1885	Fairlead, half, 1/2" x 1/2" x 2"	1	BSS668		
28M/1012015	AGS2001/C1/66	Nut, stiff, 2 BA	1	—	C	
28W/9419475	SP15/C	Washer, 2 BA	1	—	C	
	15Q1888	FAIRLEAD, AT BOMB ARCHES 259" & 279" PORT, GROUP	2	—	MR	QP1/5
Consisting of:—						
28D/9140644	A25/9C	Bolt, hex. hd., 2 BA	1	—	C	
	15cQ1885	Bonding, 30G x 1/2" wide	1	L16		
	15aQ1885	Fairlead, half, 1/2" x 5/8" x 2"	1	BSS668		
	15bQ1885	Fairlead, half, 1/2" x 1/2" x 2"	1	BSS668		
28M/1012015	AGS2001/C1/66	Nut, stiff, 2 BA	1	—	C	
28W/9419475	SP15/C	Washer, 2 BA	1	—	C	
	36Q1885	FAIRLEAD, PORT, GROUP	—	—	MR	QP1/6
Consisting of:—						
	A25/10C	Bolt, hex. hd., 2 BA	1	—	C	
	10cQ1885	Bonding, 30G x 1/2" wide	1	—		
	10aQ1885	Fairlead, half, 7/16" x 1/2" x 1.5"	1	—		
	10bQ1885	Fairlead, half, 7/16" x 1/2" x 1.5"	1	—		
28M/1012015	AGS2001/C1/66	Nut stiff, 2 BA	1	—	C	
28W/9419475	SP15/C	Washer, 2 BA	1	—	C	

SERVICES
HYDRAULIC

Ref. No.	Part No.	Description	No. off	Matl. Spec.	Cl. of	Plate and illust'n No.
					St. M.R.	
		1 2 3 4				
		BOMB DOOR SYSTEM IN BOMB BAY (Q2210, Q2211) (Cont'd)				
	16Q1885	FAIRLEAD, AT BOMB ARCHES 243", 300" & 32" PORT, GROUP	3	—	MR	QP1/7
		Consisting of:—				
28D/9140644	A25/9C	Bolt, hex. hd., 2 BA	1	—	C	
28D/9140645	A25/10C	Bolt, hex. hd., 2 BA	1	—	C	
	16cQ1885	Bonding	1	L4		
	16aQ1885	Fairlead, half, 1/2" x 1/2" x 3-1/4"	2	BSS668		
28M/1012015	AGS2001/C1/66	Nut, stiff, 2 BA	2	—	C	
28W/9419475	SP15/C	Washer, 2 BA	2	—	C	
	18Q1885	FAIRLEAD, STARBOARD, GROUP	10	—	MR	QP1/8
		Consisting of:—				
28D/1010030	A25/7C	Bolt, hex. hd., 2 BA	1	—	C	
	18cQ1885	Bonding, 30G x 1/2" wide	1	L4		
	18aQ1885	Fairlead, half, 1/2" x 1/2" x 1-1/4"	1	BSS668		
	18bQ1885	Fairlead, half, 1/2" x 1/2" x 1-1/4"	1	BSS668		
28M/1012015	AGS2001/C1/66	Nut, stiff, 2 BA	1	—	C	
28W/9419475	SP15/C	Washer, 2 BA	1	—	C	
	19Q1885	FAIRLEAD, BETWEEN BOMB ARCHES 300" & 321", STARBOARD, GROUP	1	—	C	QP1/9
		Consisting of:—				
28D/1010030	A25/7C	Bolt, hex. hd., 2 BA	1	—	C	
	19cQ1885	Bonding, 30G x 1/2" wide	1	L4		
	19aQ1885	Fairlead, half, 1/2" x 1/2" x 3-1/2"	2	BSS668		
28M/1012015	AGS2001/C1/66	Nut, stiff, 2 BA	1	—	C	
28W/9419475	SP15/C	Washer, 2 BA	1	—	C	
	21Q1885	FAIRLEAD, AT BOMB ARCHES 151" & 171" PORT, GROUP	3	—	MR	QP1/10
		Consisting of:—				
28D/1010030	A25/7C	Bolt, hex. hd., 2 BA	1	—	C	
	21cQ1885	Bonding, 30G x 1/2" wide	1	L4		
	21aQ1885	Fairlead, half	2	BSS668		
28M/1012015	AGS2001/C1/66	Nut, stiff, 2 BA	1	—	C	
28W/9419475	SP15/C	Washer, 2 BA	1	—	C	
	22Q1885	FAIRLEAD, AT HINGE STATION 130" STARBOARD, GROUP	1	—	MR	QP1/11
		Consisting of:—				
28D/9435710	A25/11C	Bolt, hex. hd., 2 BA	1	—	C	
	22dQ1885	Bonding, 30G x 1/2" wide	1	L16		
	22aQ1885	Fairlead, part, 3/8" x 1/2" x 1-1/4"	1	BSS668		
	22bQ1885	Fairlead, part, 1/2" x 5/8" x 1-1/4"	1	BSS668		
	22cQ1885	Fairlead, part, 3/8" x 1/2" x 1-1/4"	1	BSS668		
28M/1012015	AGS2001/C1/66	Nut, stiff, 2 BA	1	—	C	
28W/9419475	SP15/C	Washer, 2 BA	1	—	C	

SERVICES
HYDRAULIC

Ref. No.	Part No.	Description	No. off	Matl. Spec.	Cl. of	Plate and Illust'n No.
					St. M.R.	
		1 2 3 4				
BOMB DOOR SYSTEM IN BOMB BAY (Q2210 & Q2211) (Cont'd)						
	23Q1885	FAIRLEAD, PORT, GROUP	6	—		QP1/12
		Consisting of:—				
28D/9140644	A25/9C	Bolt hex. hd., 2 BA	1	—	C	
	23cQ1885	Bonding, 30G x 1/2" wide	1	L16		
	23aQ1885	Fairlead, half, 1/2" x 5/8" x 3"	2	BSS668		
28M/1012015	AGS2001/C1/66	Nut, stiff, 2 BA	1	—	C	
28W/9419475	SP15/C	Washer, 2 BA	1	—	C	
	24Q1885	FAIRLEAD, STARBOARD, GROUP	6	—		QP1/13
		Consisting of:—				
28D/9435710	A25/11C	Bolt, hex. hd., 2 BA	1	—	C	
	24dQ1885	Bonding, 30G x 1/2" wide	1	L16		
	24aQ1885	Fairlead, part, 3/8" x 1/2" x 1-1/2"	1	BSS668		
	24bQ1885	Fairlead, part, 1/2" x 1/2" x 1-1/2"	1	BSS668		
	24cQ1885	Fairlead, part, 3/8" x 1/2" x 1-1/2"	1	BSS668		
28M/1012015	AGS2001/C1/66	Nut, stiff, 2 BA	1	—	C	
28W/9519475	SP15/C	Washer, 2 BA	1	—	C	
	25Q1885	FAIRLEAD, STARBOARD, GROUP	7	—	MR	QP1/14
		Consisting of:—				
28D/7002438	A25/6C	Bolt, hex. hd., 2 BA	1	—	C	
	25cQ1885	Bonding, 30G x 1/2" wide	1	L16		
	25aQ1885	Fairlead, half, 3/8" x 1/2" x 1-1/2"	2	BSS668		
28M/1012015	AGS2001/C1/66	Nut, stiff, 2 BA	1	—	C	
28W/9419475	SP15/C	Washer, 2 BA	1	—	C	
	26Q1885	FAIRLEAD, AT BOMB ARCH 201", STARBOARD, GROUP	1	—	MR	QP1/15
		Consisting of:—				
28D/7002428	A25/6C	Bolt, hex. hd., 2 BA	2	—	C	
	26cQ1885	Bonding, 30G x 1/2" wide	1	L16		
	26aQ1885	Fairlead, half, 3/8" x 1/2" x 2-1/8"	2	BSS668		
28M/1012015	AGS2001/C1/66	Nut, stiff, 2 BA	2	—	C	
28W/9419475	SP15/C	Washer, 2 BA	2	—	C	
	27Q1885	FAIRLEAD, AT BOMB ARCHES 259" & 243" STARBOARD, GROUP	2	—	MR	QP1/16
		Consisting of:—				
28D/9435710	A25/11C	Bolt hex. hd., 2 BA	2	—	C	
	27dQ1885	Bonding, 30G x 1/2" wide	1	L16		
	27aQ1885	Fairlead, part, 3/8" x 1/2" x 1-1/2"	1	BSS668		
	27bQ1885	Fairlead, part, 1/2" x 5/8" x 1-1/2"	1	BSS668		
	27cQ1885	Fairlead, part, 3/8" x 1/2" x 1-1/2"	1	BSS668		
28M/1012015	AGS2001/C1/66	Nut, stiff, 2 BA	2	—	C	
28W/9419475	SP15/C	Washer, 2 BA	2	—	C	

SERVICES
HYDRAULIC

Ref. No.	Part No.	Description	No. off	Matl. Spec.	Cl. of	Plate and Illust'n No.
					St. M.R.	
		1 2 3 4				
		BOMB DOOR SYSTEM IN BOMB BAY (Q2210, Q2211) (Cont'd)				
	30Q1885	FAIRLEAD, AT BOMB ARCH 321", STARBOARD, GROUP	1	—		QP1/17
		Consisting of:—				
28D/9419397	A25/12C	Bolt, hex. hd., 2 BA	1	—	C	
	30bQ1885	Bonding, 30G x 1/2" wide	1	L16		
	30aQ1885	Fairlead, part, 1/2" x 1/2" x 1-1/4"	1	BSS668		
	18aQ1885	Fairlead, part, 1/2" x 1/2" x 1-1/4"	2	BSS668		
28M/1012015	AGS2001/C1/66	Nut, stiff, 2 BA	1	—	C	
28W/9419475	SP15/C	Washer, 2 BA	1	—	C	
	39Q1885	FAIRLEAD, AT BOMB ARCH 300", PORT, GROUP	1	—	MR	QP1/18
		Consisting of:—				
28D/9140644	A25/9C	Bolt, hex. hd., 2 BA	2	—	C	
28D/1010142	A25/9B	Bolt, hex. hd., 4 BA	1	—	C	
	39cQ1885	Bonding, 30G x 1/2" wide	1	L16		
	39aQ1885	Fairlead, half, 1/2" x 5/8" x 4-1/4"	1	BS2572		
	39bQ1885	Fairlead, half, 1/2" x 1/2" x 4-1/2"	1	BS2572		
28W/9419402	SP13/C	Washer, 2 BA	2	—	C	
28W/9419465	SP13/B	Washer, 2 BA	1	—	C	
	3Q2211	FAIRLEAD, AT BOMB ARCH 300", STARBOARD, GROUP	1	—	MR	QP1/19
		Consisting of:—				
28D/1010030	A25/7C	Bolt, hex. hd., 2 BA	2	—	C	
	3cQ2211	Bonding, 30G x 1/2" wide	1	L4		
	3aQ2211	Fairlead, half, .35" x 1/2" x 3.4"	1	BSS668		
	3bQ2211	Fairlead, half, .35" x 1/2" x 3.4"	1	BSS668		
28M/1012015	AGS2001/C1/66	Nut, stiff, 2 BA	2	—	C	
28W/9419475	SP15/C	Washer, 2 BA	2	—	C	
	7Q2211	FAIRLEAD, AT BOMB ARCH 279" STARBOARD, GROUP	1	—	MR	QP1/20
		Consisting of:—				
28D/1010030	A25/7C	Bolt, hex. hd., 2 BA	1	—	C	
	7cQ2211	Bonding, 30G x 1/2" wide	1	L4		
	7aQ2211	Fairlead, half, .35" x 1/2" x 4"	1	BSS668		
	7bQ2211	Fairlead, half, .35" x 1/2" x 4"	1	BSS668		
28M/1012015	AGS2001/C1/66	Nut, stiff, 2 BA	1	—	C	
28W/9419475	SP15/C	Washer, 2 BA	1	—	C	

SERVICES
HYDRAULIC

Ref. No.	Part No.	Description	No. off	Matl. Spec.	Cl. of	Plate and Illust'n No.
					St. M.R.	
		1 2 3 4				
		BOMB DOOR SYSTEM IN BOMB BAY, (Q2210, Q2211) (Cont'd)				
14237	86Q2210	PIPE, 1/2" o/d x 18G x 13.5" LONG UNION TO TEE-PIECE, GROUP, FORWARD BOMB ARCH 151.919 (Mod. 748) (Pre-Mod. 2318)	1	DTD743	C	
	158Q2210	PIPE, 1/2" o/d x 18G x 13.5" LONG UNION TO TEE-PIECE, GROUP, FORWARD BOMB ARCH 151.919" (Mod. 2318)	1	DTD743		QP1A/21
14238	87Q2210	PIPE, 1/2" o/d x 18G x 15.5" LONG UNION TO TEE-PIECE, GROUP, FORWARD BOMB ARCH 151.919" (Mod. 748) (Pre-Mod. 2318)	1	DTD743	C	
	159Q2210	PIPE, 1/2" o/d x 18G x 15.5" LONG UNION TO TEE-PIECE, GROUP, FORWARD BOMB ARCH 151.919" (Mod. 2318)	1	DTD743		QP1A/22
	88Q2210	PIPE, 1/2" o/d x 18G x 24" LONG TEE-PIECE TO UNION, GROUP, FORWARD & AFT BOMB ARCH 123.015" (Mod. 748) (Pre-Mod. 2318)	1	DTD743	MR	
	161Q2210	PIPE, 1/2" o/d x 18G x 24" LONG TEE-PIECE TO UNION, GROUP, FORWARD & AFT BOMB ARCH 123.015" (Mod. 2318)	1	—		QP1A/23
	89Q2210	PIPE, 1/2" o/d x 18G x 3' 6" LONG TEE-PIECE TO UNION, GROUP (Mod. 748) (Pre-Mod. 2318)	1	DTD743	MR	
	160Q2210	PIPE, 1/2" o/d x 18G x 3' 6" LONG TEE-PIECE TO UNION, GROUP, FORWARD BOMB ARCH 123.015" (Mod. 2318)	1	—		QP1A/24
	103Q1868	PIPE, 1/2" o/d x 18G x 24" LONG BETWEEN UNIONS FORWARD & AFT BOMB ARCH 95", PORT, GROUP	1	DTD503		QP1A/25
	15Q1868	PIPE, 1/2" o/d x 18G x 50" LONG UNION .. AFT OF BOMB ARCH 21" TO UNION AFT OF BOMB ARCH 81", PORT, GROUP	1	DTD503	MR	QP1A/26

SERVICES
HYDRAULIC

Ref. No.	Part No.	Description	No. off	Matl. Spec.	Cl. of	Plate and Illust'n No.
					St. M.R.	
		1 2 3 4				
		BOMB DOOR SYSTEM IN BOMB BAY (Q2210, Q2211) (Cont'd)				
	23Q1868	PIPE, 1/2" o/d x 18G x 47" LONG UNION AFT BOMB ARCH 21" TO UNION AFT BOMB ARCH 81", PORT, GROUP	1	DTD503		QP1A/27
6470	14Q1868	PIPE, 1/2" o/d x 18G x 25" LONG BETWEEN UNIONS FORWARD & AFT OF BOMB BAY ARCH 21", PORT, GROUP	1	DTD503	C	QP1A/28
	22Q1868	PIPE, 1/2" o/d x 18G x 25" LONG UNION TO UNION FORWARD & AFT BOMB ARCH 21", PORT, GROUP	1	DTD503	MR	QP1A/29
	75Q2210	PIPE, 1/2" o/d x 18G UNION TO UNION AFT FRONT SPAR, PORT, GROUP (Pre-Mod. 748)	1	DTD503		
	49Q2210	PIPE, 1/2" o/d x 18G UNION TO UNION AFT FRONT SPAR, PORT, GROUP (Mod. 748)	1	DTD503	MR	QP1A/30
	74Q2210	PIPE, 1/2" o/d x 18G UNION TO UNION AFT FRONT SPAR, PORT, GROUP (Pre-Mod. 748)	1	DTD503		
	50Q2210	PIPE, 1/2" o/d x 18G UNION TO UNION AFT FRONT SPAR, PORT, GROUP (Mod. 748)	1	DTD503	MR	QP1A/31
	57Q2210	PIPE, 1/2" o/d x 18G UNION TO TEE-PIECE AFT, FRONT SPAR, PORT, GROUP (Mod. 748)	1	DTD503	MR	QP1A/32
14227	58Q2210	PIPE, 1/2" o/d x 18G UNION TO TEE-PIECE AFT, FRONT SPAR, PORT, GROUP	1	DTD503	C	QP1A/33

SERVICES
HYDRAULIC

Ref. No.	Part No.	Description	No. off	Matl. Spec.	Cl. of	Plate and Illust'n No.
					St. M.R.	
		1 2 3 4				
3470		PIPING TO BOMB DOOR JACKS, FRONT SPAR (Q2237) (Mod. 2318)				
	3Q1887	BRACKET, PORT, GROUP	1	-	MR	QP1A/34
	4Q1887	BRACKET, STBD, GROUP	1	-	MR	QP1A/35
	7Q1887	FAIRLEAD, 4-PIPE, GROUP	2	-	C	QP1A/36
	8Q1887	FAIRLEAD, 2-PIPE, GROUP	1	-		QP1A/37
	11Q1887	FAIRLEAD, 2-PIPE, GROUP	2	-	MR	QP1A/38
	18Q2210	PIPE, 3/8" o/d x 20G, JACK TO TEE- PIECE, GROUP (Pre-Mod. 748)	1	-		
	66Q2210	PIPE, 3/8" o/d x 20G, JACK TO TEE- PIECE, PORT, GROUP (Mod. 748)	1	-	MR	QP1A/40
	19Q2210	PIPE, 3/8" o/d x 20G, JACK TO TEE- PIECE, STARBOARD, GROUP (Pre-Mod. 748)	1	-		
	67Q2210	PIPE, 3/8" o/d x 20G, JACK TO TEE- PIECE, STARBOARD, GROUP (Mod. 748)	1	-	MR	QP1A/41
	20Q2210	PIPE, 3/8" o/d x 20G, JACK TO TEE- PIECE, PORT, GROUP (Pre-Mod. 748)	1	-		
	68Q2210	PIPE, 3/8" o/d x 20G, JACK TO TEE- PIECE, PORT, GROUP (Mod. 748)	1	-	MR	QP1A/42
	21Q2210	PIPE, 3/8" o/d x 20G, JACK TO TEE- PIECE, STARBOARD, GROUP (Pre-Mod. 748)	1	-		
	69Q2210	PIPE, 3/8" o/d x 20G, JACK TO TEE- PIECE, STARBOARD, GROUP (Mod. 748)	1	-	MR	QP1A/43
	122SS3557	Tee-piece	2	-	MR	QP1A/39

SERVICES
HYDRAULIC

Ref. No.	Part No.	Description	No. off	Matl. Spec.	Cl. of St.	Plate and Illust'n No.
					M.R.	
		1 2 3 4				
		BOMB DOOR SYSTEM IN BOMB BAY, (Q2210, Q2211) (Cont'd)				
	85Q2210	PIPE, 1/2" o/d x 18G x 35.5" LONG TEE-PIECE TO UNION FORWARD AND AFT BOMB ARCH 151.919", PORT, GROUP (Mod. 748) (Pre-Mod. 2318)	2	DTD743	MR	
	157Q2210	PIPE, 1/2" o/d x 18G x 33.5" LONG TEE-PIECE TO UNION FORWARD AND AFT BOMB ARCH 151.919", PORT, GROUP (Mod. 2318)	2	-		QP1A/44
	134Q1868	PIPE, 1/2" o/d x 18G x 96" LONG UNION AFT BOMB ARCH 171" TO UNION AFT BOMB ARCH 259", PORT, GROUP	1	DTD503	MR	QP1A/45
	27Q1868	PIPE, 1/2" o/d x 18G x 96" LONG TEE-PIECE FORWARD BOMB ARCH 182.967" TO UNION AFT OF BOMB ARCH 259.092", PORT, GROUP	1	-	MR	QP1A/46
	148Q1868	PIPE, 1/2" o/d x 18G UNION AFT BOMB ARCH 259.092" TO UNION AFT BOMB 321", PORT, GROUP (Blue Steel A/C only)	1	-	MR	
1432616	137Q2210	PIPE, 1/2" o/d x 18G UNION AFT BOMB ARCH 259.092" TO UNION AFT BOMB ARCH 321", PORT, GROUP (Free Fall A/C)	1	-	C	QP1A/47
1510462	149Q1868	PIPE, 1/2" o/d x 18G UNION AFT BOMB ARCH 259.092" TO UNION AFT BOMB ARCH 321", PORT, GROUP (Blue Steel A/C only)	1	-	C	
1432615	136Q2210	PIPE, 1/2" o/d x 18G UNION AFT BOMB ARCH 259.092" TO UNION AFT BOMB ARCH 321", PORT, GROUP (Free Fall A/C) (MOD. 2013)	1	-	C	QP1A/48
	143Q1868	PIPE, 1/2" o/d x 18G UNION TO TEE- PIECE REAR SPAR, PORT, GROUP (Pre-Mod. 748)	1	-	MR	
	64Q02210	PIPE, 1/2" o/d x 18G UNION TO TEE- PIECE REAR SPAR, PORT, GROUP (Mod. 748)	1	-	MR	QP1A/49

SERVICES
HYDRAULIC

Ref. No.	Part No.	Description	No. off	Matl. Spec.	Cl. of	Plate and Illust'n No.
					St. M.R.	
		1 2 3 4				
		BOMB DOOR SYSTEM IN BOMB BAY, Q2210, Q2211 (Cont'd)				
	142Q1868	PIPE, 1/2" o/d x 18G, TEE-PIECE REAR ... SPAR TO CONNECTOR AFT BOMB ARCH 321" PORT, GROUP (Pre-Mod. 748)	1	—	MR	
	65Q2210	PIPE, 1/2" o/d x 18G TEE-PIECE REAR SPAR TO CONNECTOR AFT BOMB ARCH 321" PORT, GROUP (Mod. 748)	1	—	MR	QP1A/50
	62Q2210	PIPE, 1/2" o/d x 18G, TEE-PIECE TO UNION REAR SPAR PORT, GROUP (Mod. 748)	1	—	MR	QP1A/51
	63Q2210	PIPE, 1/2" o/d x 18G TEE-PIECE TO UNION REAR SPAR PORT, GROUP (Mod. 748)	1	—	MR	QP1A/52
		PIPING TO BOMB DOOR JACKS REAR SPAR (Q1888)	—	—		
		Spares for:—				
2879	2Q1888	BRACKET MOUNTING STARBOARD, ... GROUP	1	—	C	QP2/53
2880	3Q1888	BRACKET MOUNTING PORT, GROUP ..	1	—	C	QP2/54
	9Q1888	Bracket, fairlead, starboard	1	—		
	10Q1888	(Mod. 2080) Bracket, fairlead, port (Mod. 2080)	1	—		
	4Q1888	FAIRLEAD, 4 PIPE, GROUP	2	—	MR	QP2/55
	11Q1887	FAIRLEAD, 2 PIPE, GROUP	1	—	MR	QP2/57
	38Q1868	PIPE, 3/8" o/d x 20G x 13.5" LONG JACK TO TEE-PIECE, PORT, GROUP	1	DTD503	MR	QP2/58
3474	39Q1868	PIPE, 3/8" o/d x 20G x 26" LONG JACK TO TEE-PIECE, STARBOARD, GROUP	1	DTD503	C	QP2/59
	40Q1868	PIPE, 3/8" o/d x 20G x 17" LONG JACK TO TEE-PIECE, PORT, GROUP	1	DTD503	MR	QP2/60
3476	41Q1868	PIPE, 3/8" o/d x 20G x 21.1/2" LONG ... JACK TO TEE-PIECE, STARBOARD, GROUP	1	DTD503	C	QP2/61
2874	122SS3557	Tee-piece	2	—	C	QP2/56

SERVICES
HYDRAULIC

Ref. No.	Part No.	Description	No. off	Matl. Spec.	Cl. of St.	Plate and Illust'n No.
					M.R.	
		1 2 3 4				
BOMB DOOR SYSTEM IN BOMB BAY, Q2210, Q2211 (Cont'd)						
27QM/1490304	DOWTY 1.02179.022	Jack, bomb door, port, rear and starboard forward (Pre-Mod. 2318)	2	—	A	
27QM/1490898	DOWTY 1.02179.023	Jack, bomb door, port, rear and starboard, forward (Mod. 2318)	2	—	A	QP1A/62
27QM/1490301	DOWTY 1.02178.022	Jack, bomb door, starboard, rear and port, forward (Pre-Mod. 2318)	2	—	A	
27QM/1490895	DOWTY 1.02178.023	Jack, bomb door, starboard, rear and port, forward (Mod. 2318)	2	—	A	QP1A/63

SERVICES
HYDRAULIC

Ref. No.	Part No.	Description	No. off	Matl. Spec.	Cl. of	Plate and Illust'n No.
					St. M.R.	
		1 2 3 4				
		BOMB DOOR SYSTEM IN BOMB BAY, Q2210, Q2211 (Cont'd)				
17643	46Q1868	PIPE, 1/4" o/d x 22G, CROSS-PIECE TO UNION, GROUP (Pre-Mod. 748)	1	DTD323A	C	
	51Q2210	PIPE, 1/4" o/d x 22G, CROSS-PIECE TO UNION, GROUP (Pre-Mod. 1237)	1	DTD323A		QP2A/1
	47Q1868	PIPE, 1/4" o/d x 22G, CROSS-PIECE TO UNION, GROUP (Pre-Mod. 1237)	1	DTD323A		QP2A/2
	48Q1868	PIPE, 1/4" o/d x 22G, UNION TO UNION, GROUP (Pre-Mod. 1237)	1	DTD323A		QP2A/3
	50Q1868	PIPE, 1/4" o/d x 22G, UNION TO UNION, GROUP (Pre-Mod. 748)		DTD323A		QP2A/4
	52Q2210	PIPE, 1/4" o/d x 22G, UNION TO UNION, GROUP (Mod. 748)	1	DTD323A		
	51Q1868	PIPE, 1/4" o/d x 22G, UNION TO UNION, GROUP (Pre-Mod. 1237)	1	DTD323A		QP2A/5
	79Q1868	PIPE, 1/4" o/d x 22G, CROSS-PIECE TO UNION, GROUP (Pre-Mod. 1237)	1	DTD323A		QP2A/6
11115	98Q1868	PIPE, 1/4" o/d x 22G, CROSS-PIECE TO UNION, GROUP (Pre-Mod. 748)	1	DTD323A	C	
	48Q2210	PIPE, 1/4" o/d x 22G, CROSS-PIECE TO UNION, GROUP (Mod. 1237)	1	DTD323A		QP2A/7
	99Q1868	PIPE, 1/4" o/d x 22G, UNION TO UNION, GROUP (Pre-Mod. 748)	1	DTD323A		
	47Q2210	PIPE, 1/4" o/d x 22G, UNION TO UNION, GROUP (Mod. 127)	1	DTD323A		QP2A/8
11112	108Q1868	PIPE, 1/4" o/d x 22G, LOCKING STRUT . . . FORWARD TO UNION, STARBOARD, GROUP (Pre-Mod. 1237)	1	DTD323A	C	QP2A/9
	109Q1868	PIPE, 1/4" o/d x 22G, LOCKING STRUT . . . FORWARD TO UNION, STARBOARD, GROUP (Pre-Mod. 1237)	1	DTD323A		QP2A/10
	114Q1868	PIPE, 1/4" o/d x 22G, LOCKING STRUT . . . REAR TO UNION, PORT, GROUP (Pre-Mod. 1237)	1	DTD323A		QP2A/11
	115Q1868	PIPE, 1/4" o/d x 22G, LOCKING STRUT . . . REAR TO UNION, PORT, GROUP (Pre-Mod. 1237)	-	-		QP2A/12

SERVICES
HYDRAULIC

Ref. No.	Part No.	Description	No. off	Matl. Spec.	Cl. of St.	Plate and Illust'n No.
					M.R.	
		1 2 3 4				
		BOMB DOOR SYSTEM IN BOMB BAY (Q2210, Q2211) (Cont'd)				
	116Q1868	PIPE, 1/4" o/d x 22G UNION TO UNION, GROUP (Pre-Mod. 1237)	1	DTD323A		QP2A/13
	124Q1868	PIPE, 1/4" o/d x 22G UNION TO UNION, GROUP (Pre-Mod. 1237)	1	DTD323A		QP2A/14
	125Q1868	PIPE, 1/4" o/d x 22G UNION TO UNION, GROUP (Pre-Mod. 1237)	1	DTD323A		QP2A/15
	132Q1868	PIPE, 1/4" o/d x 22G, LOCKING STRUT, ... FORWARD TO UNION, PORT, GROUP (Pre-Mod. 1237)	1	DTD323A		QP2A/16
	133Q1868	PIPE, 1/4" o/d x 22G, LOCKING STRUT, ... FORWARD TO UNION, PORT, GROUP (Pre-Mod. 1237)	1	DTD323A		QP2A/17
	138Q1868	PIPE, 1/4" o/d x 22G, CROSS-PIECE TO UNION, GROUP (Pre-Mod. 1237)	1	DTD323A		QP2A/18
	139Q1868	PIPE, 1/4" o/d x 22G, UNION TO UNION, .. GROUP (Pre-Mod. 1237)	1	DTD323A		QP2A/19
	140Q1868	PIPE, 1/4" o/d x 22G, UNION TO UNION, .. GROUP (Pre-Mod. 1237)	1	DTD323A		QP2A/20
	141Q1868	PIPE, 1/4" o/d x 22G, UNION TO UNION, .. GROUP (Pre-Mod. 1237)	1	DTD323A		QP2A/21
	146Q1868	PIPE, 1/4" o/d x 22G, UNION TO UNION, .. GROUP (Pre-Mod. 1237)	1	DTD323A		QP2A/22
	42Q2210	PIPE, 1/4" o/d x 22G, UNION TO UNION, .. GROUP (Pre-Mod. 1237)	1	DTD323A		QP2A/23
	41Q2210	PIPE, 1/4" o/d x 22G, CROSS-PIECE TO UNION, GROUP (Pre-Mod. 1237)	1	DTD323A		QP2A/24
	34Q2210	PIPE, 1/4" o/d x 22G, LOCKING STRUT, ... REAR, TO UNION, STARBOARD, GROUP (Pre-Mod. 1237)	1	DTD323A		QP2A/25
	35Q2210	PIPE, 1/4" o/d x 22G, LOCKING STRUT, ... REAR, TO UNION, STARBOARD, GROUP (Pre-Mod. 1237)	1	DTD323A		QP2A/26
	44Q2210	PIPE, 1/4" o/d x 22G, CROSS-PIECE TO UNION, GROUP (Pre-Mod. 1237)	1	DTD323A		QP2A/27

SERVICES
HYDRAULIC

Ref. No.	Part No.	Description	No. off	Matl. Spec.	Cl. of St.	Plate and Illust'n No.
					M.R.	
		1 2 3 4				
		BOMB DOOR SYSTEM IN BOMB BAY (Q2210, Q2211) (Cont'd)				
	132Q1868	PIPE, 1/4" o/d x 22G, LOCKING STRUT, ... FORWARD TO UNION, PORT, GROUP (Pre-Mod. 1237)	1	DTD323A		QP2A/16
	133Q1868	PIPE, 1/4" o/d x 22G, LOCKING STRUT, ... FORWARD TO UNION, PORT, GROUP (Pre-Mod. 1237)	1	DTD323A		QP2A/17
	138Q1868	PIPE, 1/4" o/d x 22G, CROSS-PIECE TO UNION, GROUP (Pre-Mod. 1237)	1	DTD323A		QP2A/18
	139Q1868	PIPE, 1/4" o/d x 22G, UNION TO UNION, .. GROUP (Pre-Mod. 1237)	1	DTD323A		QP2A/19
	140Q1868	PIPE, 1/4" o/d x 22G, UNION TO UNION, .. GROUP (Pre-Mod. 1237)	1	DTD323A		QP2A/20
	141Q1868	PIPE, 1/4" o/d x 22G, UNION TO UNION, .. GROUP (Pre-Mod. 1237)	1	DTD323A		QP2A/21
	146Q1868	PIPE, 1/4" o/d x 22G, UNION TO UNION, .. GROUP (Pre-Mod. 1237)	1	DTD323A		QP2A/22
	42Q2210	PIPE, 1/4" o/d x 22G, UNION TO UNION, .. GROUP (Pre-Mod. 1237)	1	DTD323A		QP2A/23
	41Q2210	PIPE, 1/4" o/d x 22G, CROSS-PIECE TO UNION, GROUP (Pre-Mod. 1237)	1	DTD323A		QP2A/24
	34Q2210	PIPE, 1/4" o/d x 22G, LOCKING STRUT, ... REAR, TO UNION, STARBOARD, GROUP (Pre-Mod. 1237)	1	DTD323A		QP2A/25
	35Q2210	PIPE, 1/4" o/d x 22G, LOCKING STRUT, ... REAR, TO UNION, STARBOARD, GROUP (Pre-Mod. 1237)	1	DTD323A		QP2A/26
	44Q2210	PIPE, 1/4" o/d x 22G, CROSS-PIECE TO UNION, GROUP (Pre-Mod. 1237)	1	DTD323A		QP2A/27

SERVICES

HYDRAULIC

Ref. No.	Part No.	Description	No. off	Matl. Spec.	Cl. of St.	Plate and Illust'n No.
					M.R.	
		1 2 3 4				
		PIPING TO BOMB DOOR JACKS, FRONT SPAR (Q2237) (Mod. 748)				
		Spares for:—				
2872	3Q1887	BRACKET, PORT, GROUP	1	—	C	
2873	4Q1887	BRACKET, PORT, GROUP	1	—	C	
3470	7Q1887	FAIRLEAD, 4 PIPE, GROUP	2	—	C	QP1/101
3471	8Q1887	FAIRLEAD, 2 PIPE, GROUP	1	—	C	QP1/102
3472	11Q1887	FAIRLEAD, 2 PIPE, GROUP	2	—	C	QP1/103
3437	13Q1879	FAIRLEAD, 2 PIPE, GROUP	1	—	C	QP1/104
		Spares for:—				
14179	13aQ1879	Fairlead, half	2	—	C	
14243	66Q2210	PIPE, 3/8" o/d x 20G, JACK TO TEE- PIECE, PORT, GROUP	1	DTD503	C	QP1/105
14244	67Q2210	PIPE, 3/8" o/d x 20G, JACK TO TEE- PIECE, STARBOARD, GROUP	1	DTD503	C	QP1/106
14245	68Q2210	PIPE, 3/8" o/d x 20G, JACK TO TEE- PIECE, PORT, GROUP	1	DTD503	C	QP1/107
9271	21Q2210	PIPE, 3/8" o/d x 20G, JACK TO TEE- PIECE, STARBOARD, GROUP (Pre-Mod. 748)	1	DTD503	C	
14246	69Q2210	PIPE, 3/8" o/d x 20G, JACK TO TEE- PIECE, STARBOARD, GROUP (Mod. 748)	1	DTD503	C	QP1/108
9272	22Q2210	PIPE, 1/4" o/d x 22G, JACK TO TEE- PIECE, PORT, GROUP (Pre-Mod. 748)	1	DTD323A	C	
17660	70Q2210	PIPE, 1/4" o/d x 22G, JACK TO TEE- PIECE, PORT, GROUP (Mod. 748)	1	DTD323A	C	QP1/109
9273	23Q2210	PIPE, 1/4" o/d x 22G, JACK TO TEE- PIECE, PORT, GROUP (Pre-Mod. 748)	1	DTD323A	C	
17661	71Q2210	PIPE, 1/4" o/d x 22G, JACK TO TEE- PIECE, PORT, GROUP (Mod. 748)	1	DTD323A	C	QP1/110

VULCAN Mk. 2

SERVICES
HYDRAULIC

Ref. No.	Part No.	Description				No. off	Matl. Spec.	Cl. of St.	Plate and Illust'n No.
		1	2	3	4			M.R.	

SERVICES
HYDRAULIC

Ref. No.	Part No.	Description				No. off	Matl. Spec.	Cl. of St.	Plate and Illust'n No.
		1	2	3	4			M.R.	

SERVICES
HYDRAULICS

Ref. No.	Part No.	Description				No. off	Matl. Spec.	Cl. of	Plate and Illust'n No.
		1	2	3	4			St. M.R.	
		PIPING, FROM FRONT SPAR TO REAR CRUTCH FRAME (Q2286, Q3673) (Mod. 748).							
		Spares for :—							
27BA/9467721	AVERY AVA64/D	Cap, blanking, $\frac{1}{2}$ " BSP	1	—	B	QPS/126
27BA/4110829	AVERY AVA64/E	Cap, blanking	1	—		QPS/127
27BA/9152586	AVERY AVA58/D	Coupling, flanged, half, $\frac{1}{2}$ " BSP	1	—	B	QPS/128
	or AVA1150/D	Coupling, flanged, half, $\frac{1}{2}$ " BSP	1	—	B	
27BA/4110940	AVERY AVA55/E	Coupling, flanged, half $\frac{3}{8}$ " BSP	1	—	B	QPS/129
	or AVA1152/E 55S4633	Coupling, flanged, half, $\frac{3}{8}$ " BSP	1	—		
		Elbow	1	—		QPS/130
	6Q2286	FAIRLEAD, 2 PIPE, GROUP	7	—	MR	QPS/131
14184	10Q2286	FAIRLEAD, 2 PIPE, GROUP	2	—	C	QPS/132
	88Q2262	PIPE, $\frac{3}{8}$ " o/d \times 20G \times 6'-6" LONG, UNION TO UNION, GROUP				1	L56	MR	QPS/133
22562	89Q2262	PIPE, $\frac{1}{2}$ " o/d \times 18G \times 6'-0" LONG, UNION TO UNION, GROUP				1	DTD743	C	QPS/134
22563	90Q2262	PIPE, $\frac{3}{8}$ " o/d \times 20G \times 3'-6" LONG, UNION TO ELBOW, GROUP				1	L56	C	QPS/135
	91Q2262	PIPE, $\frac{1}{2}$ " o/d \times 18G \times 3'-0" LONG, UNION TO COUPLING, GROUP				1	DTD743	MR	QPS/136
	196Q2262	PIPE, $\frac{1}{2}$ " o/d \times 18G, TEE-PIECE TO UNION, GROUP (Mod. 1306)				1	DTD743	MR	QPS/137
14769	197Q2262	PIPE, $\frac{1}{2}$ " o/d \times 18G, TEE-PIECE TO UNION, GROUP (Mod. 1306)				1	DTD743	C	QPS/138
	198Q2262	PIPE, $\frac{3}{8}$ " o/d \times 20G, TEE-PIECE TO UNION, GROUP (Mod. 1306)				1	L56	MR	QPS/139
14771	199Q2262	PIPE, $\frac{3}{8}$ " o/d \times 20G, TEE-PIECE TO UNION, GROUP (Mod. 1306)				1	L56	C	QPS/140

SERVICES
HYDRAULICS

Ref. No.	Part No.	Description	No. off	Matl. Spec.	Cl. of St.	Plate and Illust'n No.
					M.R.	
		1 2 3 4				
PIPING AND FIXED FITTINGS AT HYDRAULIC UNIT (Q2287) (Mod. 748)						
Spares for :—						
27BA/4110829	AVERY AVA64/E	Cap, blanking, $\frac{3}{8}$ " BSP	1	—	B	QP5/141
27BA/9467721	AVERY AVA64/D	Cap, blanking, $\frac{1}{2}$ " BSP	1	—	B	QP5/142
27BA/9152586	AVERY AVA58/D	Coupling, half, flanged, $\frac{1}{2}$ " BSP	1	—	B	QP5/143
	or AVA1150/D	Coupling, half, flanged, $\frac{1}{2}$ " BSP	1	—	B	
	AVERY AVA1152/E	Coupling, half, flanged, $\frac{3}{8}$ " BSP	1	—	B	QP5/144
26FP/1432520	4SS4633	Elbow	1	—	C	QP5/145
	5SS4633	Elbow	1	—	C	QP5/146
14198	4Q2287	FAIRLEAD, AT FORMER D8735, GROUP	1	—	C	QP5/147
Consisting of :—						
28D/9435710	A25/11C	Bolt, hex. hd., 2 BA	2	—	C	
	4bQ2287	Bonding, 30G \times $\frac{1}{2}$ " wide	1	L16		
	4aQ2287	Fairlead, half	2	BS2572		
28M/1012015	AGS2001/C1/66	Nut, stiff, 2 BA	2	—	C	
28W/9419402	SP13/C	Washer, 2 BA	2	—	C	
22559	83Q2262	PIPE, $\frac{1}{2}$" o/d \times 20G, ELBOW TO UNION, GROUP	1	DTD743	C	QP5/148
	84Q2262	PIPE, $\frac{3}{4}$" o/d \times 20G, ELBOW TO UNION, GROUP	1	L56		QP5/149
14199	67D9374	STRUT, SUPPORT, GROUP...	1	—	C	QP5/150
14200	68D9374	STRUT, SUPPORT, GROUP...	1	—	C	QP5/151
PIPING SERVICES, BETWEEN BOMB ARCHES 123-15" AND 131-919" (Q2249)						
Spares for :—						
MANUAL OPERATION, FOR EMERGENCY BOMB DOOR CONTROL VALVE (D2219)						
Spares for :—						
	AS1424/28	Cable, 5 cwt., 28" long	1	—	MR	QP4/152
	2Q2219	COVER, PULLEY BOX, GROUP	1	—		QP4/153
13196	15Q/1892	EYE-END, GROUP	1	—		QP4/154
2704	13Q1892	FORK-END, GROUP	1	S21 & S3	C	QP4/155
2703	12Q1892	Lever, operating	1	DTD683	C	QP4/156
28R/1038190	AS1151	Pulley, shrouded	1	—	B	QP4/157
	6Q1892	Spring	1	DTD239	MR	QP4/158
	4Q2219	Tube, guard, $\frac{3}{4}$ " o/d \times 22G \times 19 $\frac{1}{2}$ " long	1	DTD T58		QP4/159

VULCAN Mk. 2

SERVICES
HYDRAULIC

Page QP. 15

Ref. No.	Part No.	Description	No. off	Matl. Spec.	Cl. of St.	Plate and Illust'n No.
					M.R.	
		1 2 3 4				
		PIPING SERVICES BETWEEN BOMB ARCHES, 123.015" AND 151.919" (Q2249) (Cont'd)				
		MOUNTING, HYDRAULIC EMERGENCY POWER PACK, VALVES AND PIPES ON RIB 63.5, STARBOARD (Q2078) (Q3865) (Mod. 2261, PARTS A & B)				
		Spares for:—				
		Banjo, cone ended (Mod. 2261)	1	—	MR	QP3/193
		Banjo, cone ended (Mod. 2261)	1	—		QP3/193
26TA/5448859	SS5767/D	Bolt, banjo (Mod. 2261)	1	—		QP3/195
28F/9423229	AGS1135/C	Bolt, banjo (Mod. 2261)	1	—		QP3/196
28F/9423231	AGS1135/D	Cone, union reducing (Mod. 2261)	1	—	C	QP3/197
28F/1036842	AGS1107/M 1Q3863	FILTER HYDRAULIC, GROUP	1	—		QP3/198
	or LOCKHEED	(Mod. 2261) (Part A & B)				
27M/1500263	AIR46510	FILTER, HYDRAULIC, GROUP	1	—		QP3/198
		(Mod. 2261) (Part A & B)				
		Spares for:—				
27M/1500264	AIR119182	Element	1	—	C	
27M/1500266	AIR119184	Ring, back	1	—	C	
27M/1500265	AIR119186	Seal	1	—	C	
		Attachments for — Filter Part No. AIR46510				
28D/1212308	A25/24E	Bolt, hex. hd., 1/4" BSF	2	—	C	QP3/199
	3Q3865	Spacer (Make from 30B/9611405) .	2	—		QP3/200
28W/9418921	SP13/E	Washer, 1/4"	2	—	C	
	164Q1868	PIPE, 3/8" o/d x 20G x 24" LONG	1	L56	MR	QP3/164
		OVERFLOW, FROM POWER PACK, GROUP				
	29Q1868	PIPE, 3/8" o/d x 20G x 18" LONG	1	L56	MR	QP3/165
		CROSS-PIECE TO POWER PACK, GROUP				
	64Q1868	PIPE, 1/4" o/d x 22G x 22" LONG	1	DTD323A	MR	QP3/166
		FORWARD SELECTOR VALVE TO CROSS-PIECE, GROUP				

SERVICES
HYDRAULIC

Ref. No.	Part No.	Description				No. off	Matl. Spec.	Cl. of St.	Plate and Illust'n No.
		1	2	3	4			M.R.	
		MOUNTING HYDRAULIC EMERGENCY POWER PACK, VALVES AND PIPES ON RIB 63.5, STARBOARD (Q2078) (Q3865) (Mod. 2261) (Cont'd)							
	67Q1868				PIPE, 3/16" o/d x 22G x 25" LONG	1	DTD323A	MR	QP3/167
3486	69Q1868				CROSS-PIECE TO FORWARD SELECTOR VALVE, GROUP				
	104Q1868				PIPE, 3/8" o/d x 20G x 13" LONG	1	L56	C	QP3/168
	104Q1868				CROSS-PIECE TO AFT SELECTOR VALVE, GROUP				
	104Q1868				PIPE, 3/8" o/d x 20G x 11" LONG	1	L56	MR	QP3/172
	104Q1868				CROSS-PIECE TO PRESSURE SWITCH, GROUP				
3490	107Q1868				PIPE, 3/8" o/d x 20G x 11" LONG	1	DTD503	C	QP3/173
	107Q1868				PRESSURE SWITCH TO CROSS-PIECE, GROUP				
	126Q1868				PIPE, 3/8" o/d x 20G x 84" LONG	1	DTD503	MR	QP3/174
	126Q1868				CROSS-PIECE TO AFT SELECTOR VALVE, GROUP				
3488	128Q1868				PIPE, 3/8" o/d x 20G x 11" LONG	1	L56	C	QP3/175
	128Q1868				CROSS-PIECE TO CROSS-PIECE BELOW POWER PACK, GROUP				
	129Q1868				PIPE, 3/8" o/d x 20G x 11" LONG	1	DTD503	MR	QP3/176
	129Q1868				CROSS-PIECE TO CROSS-PIECE, BELOW POWER PACK, GROUP				
1510415	138Q2210				PIPE, 3/8" o/d x 18" LONG	1	DTD5016	C	QP3/177
	138Q2210				POWER PACK TO FILTER, GROUP (Mod. 2261)				

SERVICES
HYDRAULIC

Ref. No.	Part No.	Description	No. off	Matl. Spec.	Cl. of	Plate and Illust'n No.
					St. M.R.	
		1 2 3 4				
		MOUNTING HYDRAULIC EMERGENCY POWER PACK, VALVES AND PIPES ON RIB 63.5, STARBOARD (2078) (Q3865) (Mod. 2261) (Cont'd)				
1510416	139Q2210	PIPE, 1/2" o/d x 20G x " LONG FILTER TO REDUCING UNION, GROUP (Mod. 2261)	1	DTD5016	C	QP3/201
1510417	140Q2210	PIPE, 3/8" o/d x 20G x 6' 0" LONG REDUCING UNION TO CROSS-PIECE, GROUP (Mod. 2261)	1	DTD5016	C	QP3/202
28F/7103505	AGS1186/C	Seal, washer	1	—	C	QP3/203
28F/9428455	AGS1186/D DOWTY	Seal, washer	1	—	C	QP3/204
5CW/4400071	C1829Y Mk. 8 DOWTY	Switch, pressure	1	—	A	QP3/178
27Q/1772	E8908Y	Unit, emergency power pack (Pre-Mod. 1057)	1	—	A	
27QM/70433	DOWTY I.00547.001	Unit, emergency power pack (Mod. 1057)	1	—	A	
27QM/1490393	DOWTY I.00547.002	Unit, emergency power pack (Mod. 2320)	1	—	A	QP3/179
	DOWTY 07489YB03	Valve, selector, aft (Mod. 1756)	1	—		QP3/180
	DOWTY I.00418.002	Valve, selector, forward	1	—		QP3/181
		PIPING SERVICES, BY-PASS VALVE IN POWER PACK SYSTEM (Q2255) Spares for:—				
	44SS3554	Cross-piece	1	—		QP3/190
	3Q2255	Fairlead, half	2	—	MR	QP3/182
	30Q2210	PIPE, 3/16" o/d x 22G TEE-PIECE TO TEE-PIECE, GROUP	1	DTD323A	MR	QP3/183
	31Q2210	PIPE, 3/16" o/d x 22G TEE-PIECE TO BY-PASS VALVE, GROUP	1	DTD323A	MR	QP3/184
9229	33Q2210	PIPE, 3/16" o/d x 22G, TEE-PIECE TO BY-PASS VALVE, GROUP	1	DTD323A	C	QP3/185
	91Q2210	PIPE, 1/4" o/d x 22G x 18" LONG TEE-PIECE TO TEE-PIECE, GROUP (Mod. 1363)	1	DTD323	MR	QP3/186

SERVICES
HYDRAULIC

Ref. No.	Part No.	Description	No. off	Matl. Spec.	Cl. of St.	Plate and Illust'n No.
					M.R.	
		1 2 3 4				
		PIPING SERVICES, BY-PASS VALVE IN POWER PACK SYSTEM (Q2255) (Cont'd)				
11418	92Q2210	PIPE, 1/4" o/d x 22G x 10" LONG TEE-PIECE TO VALVE, GROUP	1	DTD323	C	QP3/187
11419	93Q2210	PIPE, 3/16" o/d x 22G x 14" LONG TEE-PIECE TO PRESSURE SWITCH, GROUP	1	DTD323	C	QP3/188
5CW/4405416	THERMOL CONTROL TP636 143SS3557	Switch, pressure Tee-piece	1 1	—	A MR	QP3/189 QP3/191
27QM/4173693	DOWTY I.00138.003	Valve, selector	1	—	A	QP3/192
		PIPING SERVICES AND RESERVOIR MOUNTING (Q1861) (See—Services—Hydraulic— Feed and Return)				
		PIPING, SERVICES AND FILTER MOUNTING (Q1881) (See—Services—Hydraulic—Feed and Return)				
		PIPING SERVICES TO FORWARD AND AFT BOMB DOOR SEALS (Q2072) (See—Services—Pneumatic)				

SERVICES
HYDRAULIC

Ref. No.	Part No.	Description	No. off	Matl. Spec.	Cl. of St.	Plate and Illust'n No.
					M.R.	
		1 2 3 4				
		BRAKE SYSTEM (Q2103)				
	41R3754	BLOCK, JUNCTION, GROUP (See:— Controls—Flying—Crew's Nacelle)	1	—		
	42R3574	BLOCK, JUNCTION, GROUP (See:— Controls—Flying—Crew's Nacelle)	1	—		
6A/4337916	SANGAMO WESTON S214/1/11	Gauge, triple pressure (See:—Equipment Aircraft—Instrument Panels)	1	—	A	
27VA/ 4625914	DUNLOP AC13812	Motor, foot (See:—Controls—Flying— Crew's Nacelle)	4	—	A	
		PIPING TO BRAKE FOOT MOTORS (Q1903)				
		Spares for:—				
	1SS3859	Clip	1	—		
	9Q1903	FAIRLEAD, AT FORWARD EDGE OF PILOT'S FLOOR, GROUP	1	—		QP6/193
		Consisting of:—				
28D/9453970	A25/15C	Bolt, hex. hd., 2 BA	1	—	C	
	9bQ1903	Bonding	1	L16		
	9aQ1903	Fairlead, half	2	BSS668		
28M/1012015	AGS2001/C1/66	Nut, stiff, 2 BA	1	—	C	
	AS2808/5/062	Tube, distance, 5/16" o/d x 17G x 5/8" long	1	T36		
28W/9419402	SP13/C	Washer, 2 BA	1	—	C	
	10Q1903	FAIRLEAD, AT FORWARD EDGE OF PILOT'S FLOOR, GROUP	1	—		QP6/194
		Consisting of:—				
28D/9453970	A25/15C	Bolt, hex. hd., 2 BA	1	—	C	
	10bQ1903	Bonding	1	L16		
	10aQ1903	Fairlead, half	2	BSS668		
28M/1012015	AGS2001/C1/66	Nut, stiff, 2 BA	1	—	C	
	AS2808/5/062	Tube, distance 5/16" o/d x 17G x 5/8" long	1	T35		
28W/9419402	SP13/C	Washer, 2 BA	1	—	C	
	14Q1903	FAIRLEAD, AT FORWARD EDGE OF PILOT'S FLOOR, GROUP	1	—		QP6/195
		Consisting of:—				
28D/9140648	A25/19C	Bolt, hex. hd., 2 BA	1	—	C	
	24cQ1247	Bonding, 30G x 1/2" x 6-1/2" long	1	L16		
	24aQ1247	Fairlead, half	2	BSS668		
28M/1012015	AGS2001/C1/66	Nut, stiff, 2 BA	1	—	C	
	AS2808/5/100	Tube, distance, 5/16" o/d x 17G x 1"	1	T35		
28W/9419402	SP13/C	Washer, 2 BA	1	—	C	

SERVICES
HYDRAULIC

Ref. No.	Part No.	Description	No. off	Matl. Spec.	Cl. of	Plate and Illust'n No.
					St. M.R.	
			1	2	3	4
PIPING AT BRAKE FOOT MOTORS (Q1903) (Cont'd)						
	1SS3530	Grommet, at pipe 5Q1903, 2nd Pilot, left foot	1	—		QP6/196
17578	DUNLOP 2/1212A/700/ 8/8/20"	Hose, flexible, for foot motor	4	—	C	QP6/197
1510442	DUNLOP 2/1212A/700/ 8/8/24"	Hose, flexible, for foot motor	4	—	C	QP6/198
	136Q1870	PIPE, 3/16" o/d x 22G x 36" LONG, TO .. FOOT MOTOR, 2nd PILOT, RIGHT FOOT, GROUP	1	L56		QP6/199
	137Q1870	PIPE, 3/16" o/d x 22G x 48" LONG, TO .. FOOT MOTOR, 2nd PILOT, LEFT FOOT, GROUP	1	L56		QP6/200
	5Q1903	Pipe, special, to foot motor	4	5019		QP6/201
20004	15Q1903	PIPE, 3/16" o/d x 22G x 60" LONG TO ... FOOT, MOTOR, 1st PILOT, RIGHT FOOT, GROUP	1	L56	C	QP6/202
	16Q1903	PIPE, 3/16" o/d x 22G x 72" LONG, TO .. FOOT MOTOR, 1st PILOT, LEFT FOOT, GROUP	1	L56	MR	QP6/203
	AS2808/5/105	Tube, distance, 5/16" o/d x 17G" x 1.05" . long, use with clip 1SS3859	1	T35		
PIPING SERVICES, CREW'S NACELLE BETWEEN FORMERS 202 AND 372, STARBOARD (Q1928)						
	24Q1247	Spares for:— FAIRLEAD, ON PIPE RUN, GROUP	15	—		QP6/204
	24cQ1247	Consisting of:— Bonding, 30G x 1/2" x 6-1/2" long	1	L16		
	24aQ1247	Fairlead, half	2	BSS668		
	31Q1311	FAIRLEAD, ON PIPE RUN, GROUP	3	—		QP6/205
		Consisting of:—				
28D/7002428	A25/6C	Bolt, hex. hd., 2 BA	1	—	C	
		Bonding, 30G x 1/2" x 6-1/2" long	1	L16		
		Fairlead, half	2	BSS668		
28M/1012015	31aQ1247	Nut, stiff, 2 BA	1	—	C	
28W/9149402	AGS2001/C1/66 SP13/C	Washer, 2 BA	1	—	C	

SERVICES
HYDRAULIC

Ref. No.	Part No.	Description	No. off	Matl. Spec.	Cl. of St.	Plate and Illust'n No.
					M.R.	
		1 2 3 4				
		PIPING SERVICES, CREW'S NACELLE BETWEEN FORMERS 202 AND 372, STARBOARD (Q1928) (Cont'd)				
	29Q1870	PIPE, 3/16" o/d x 22G x 47" LONG, UNION TO REAR PRESSURE BULKHEAD, GROUP	1	L56		QP6/206
	30Q1870	PIPE, 3/16" o/d x 22G x 47" LONG, UNION TO ADAPTOR, GROUP	1	L56		QP6/207
	35Q1870	PIPE, 3/16" o/d x 22G x 83" LONG, UNION TO UNION, GROUP	1	L56		QP6/208
	36Q1870	PIPE, 3/16" o/d x 22G x 49" LONG, UNION TO ADAPTOR, GROUP	1	L56		QP6/209
	45Q1870	PIPE, 3/16" o/d x 22G x 49" LONG, UNION TO UNION, GROUP	1	L56		QP6/210
	46Q1870	PIPE, 3/16" o/d x 22G x 83" LONG, UNION TO UNION, GROUP	1	L56		QP6/211
	53Q1870	PIPE, 3/16" o/d x 22G x 83" LONG, UNION TO UNION, GROUP	1	L56		QP6/212
	54Q1870	PIPE, 3/16" o/d x 22G x 47" LONG, UNION TO ADAPTOR, GROUP	1	L56		QP6/213
11307	128Q1870	PIPE, 3/16" o/d x 22G x 60" LONG, UNION TO UNION, GROUP	1	L56	C	QP6/214
	129Q1870	PIPE, 3/16" o/d x 22G x 60" LONG, UNION TO UNION, GROUP	1	L56		QP6/215
	130Q1870	PIPE, 3/16" o/d x 22G x 60" LONG, UNION TO UNION, GROUP	1	L56		QP6/216
	131Q1870	PIPE, 3/16" o/d x 22G x 60" LONG, UNION TO UNION, GROUP	1	L56		QP6/217
	132Q1870	PIPE, 3/16" o/d x 22G x 60" LONG, UNION TO UNION, GROUP	1	L56	MR	QP6/218
	133Q1870	PIPE, 3/16" o/d x 22G x 63" LONG, UNION TO UNION, GROUP	1	L56		QP6/219
	134Q1870	PIPE, 3/16" o/d x 22G x 63" LONG, UNION TO UNION, GROUP	1	L56	MR	QP6/220
	135Q1870	PIPE, 3/16" o/d x 22G x 63" LONG, UNION TO UNION, GROUP	1	L56		QP6/221

SERVICES
HYDRAULIC

Ref. No.	Part No.	Description	No. off	Matl. Spec.	Cl. of St.	Plate and Illust'n No.
					M.R.	
		1 2 3 4				
		BRAKE SYSTEM (Q2103) (Cont'd.)				
		PIPING, SERVICES IN NOSEWHEEL U/C ... BAY (Q1875)	—	—		
		Spares for:—				
26FP/13372	12Q877	Fairlead, half, 2-1/4" x 1/4" x 1/2", on rear pressure bulkhead	4	BSS668	C	QP6/222
	8aQ1492	Fairlead, half, 3 pipe, 1.9" x .375" x .375"	6	BSS668		QP6/223
	80Q1683	FAIRLEAD, 4 PIPE, GROUP	14	—		QP6/224
		Consisting of:—				
	80bQ1683	Bonding, 30G x 1/2" x 5-1/2" long	1	L4		
	80aQ1683	Fairlead, half, 1.87" x .5" x .31"	2	BSS668		
	30Q1875	FAIRLEAD, 6 PIPE, GROUP	1	—		QP6/225
		Consisting of:—				
28D/1010030	A25/7C	Bolt, hex. hd., 2 BA	2	—	C	
	31bQ1875	Bonding, 30G x 1/2" x 7" long	1	L4		
	31aQ1875	Fairlead, half, 2-13/16" x 1/2" x 5/8" ..	2	BSS668		
28M/1012015	AGS2001/C1/66	Nut, stiff, 2 BA	2	—	C	
28W/9419402	SP13/C	Washer, 2 BA	2	—	C	
		PANEL, HYDRAULIC, IN NOSE WHEEL ... BAY (10Q1864)	—	—		
		Spares for:—				
27VA/ 4625910	DUNLOP AC14048	Accumulator, hydraulic	2	—	A	QP8/226
2523	120Q1866	BLOCK, MAIN FEED, GROUP	1	—	C	QP8/227
		Consisting of:—				
	120aQ1866	Block	1	DTD683		
28F/1014970	AGS1104/A	Union, 3/16" BSP	1	—	C	
28F/8011809	AGS1104/B	Union, 1/4" BSP	2	—	C	
28F/8011808	AGS1104/D	Union, 1/2" BSP	2	—	C	
27QM/ 4173540	DOWTY D5223Y	Valve, non-return	2	—	A	QP8/228
28F/9428452	AGS1186/A	Washer, jointing	1	—	C	
28F/9428453	AGS1186/B	Washer, jointing	4	—	C	
28F/9428455	AGS1186/D	Washer, jointing	2	—	C	
2524	121Q1866	BLOCK, MAIN RETURN, GROUP	1	—	C	QP8/229
		Consisting of:—				
	60SS3553	Adaptor	1	—		QP8/230
	121aQ1866	Block	1	DTD683		
28F/1014970	AGS1104/A	Union, 3/16" BSP	2	—	C	
28F/8011809	AGS1104/B	Union, 1/4" BSP	5	—	C	
28F/9140971	AGS1104/C	Union, 3/8" BSP	1	—	C	
28F/8011808	AGS1104/D	Union, 1/2" BSP	2	—	C	
28F/9428452	AGS1186/A	Washer, jointing	2	—	C	
28F/9428453	AGS1186/B	Washer, jointing	6	—	C	
28F/7103505	AGS1186/C	Washer, jointing	1	—	C	
28F/9428455	AGS1186/D	Washer, jointing	2	—	C	

SERVICES
HYDRAULIC

Ref. No.	Part No.	Description	No. off	Matl. Spec.	Cl. of	Plate and Illust'n No.
					St.	
					M.R.	
		1 2 3 4				
		PANEL, HYDRAULIC IN NOSE WHEEL BAY (101Q1864) (Cont'd.)				
2522	115Q1870	BLOCK, BRAKES, BLEED, GROUP	1	—	C	QP8/231
		Consisting of:—				
3301	24SS3559	Adaptor, bleed screw	4	—	C	QP8/232
	115aQ1870	Block	1	DTD364B		
28F/9128952	AGS1174/A	Screw, bleed	4	—	C	
28F/1014970	AGS1104/A	Union, 3/16" BSP	8	—	C	
28F9428452	AGS1186/A	Washer, jointing	12	—	C	
9193	4SS3859	Clip	1	—	C	
27VA/ 4625915	DUNLOP ACO21982	Connection, swivel	2	—	A	QP8/233
	2SS3062	Coupling, stand pipe	2	—	MR	QP8/234
	6Q1603	FAIRLEAD, GROUP	1	—		QP8/235
		Consisting of:—				
28D/1011019	A25/8C	Bolt, hex. hd., 2 BA	1	—	C	
	6bQ1603	Bonding, 30G x 1/2" x 6-1/2"	1	L4		
	6aQ1603	Fairlead, half	2	BSS668		
28M/1012015	AGS2001/C1/66	Nut, stiff, 2 BA	1	—	C	
28W/9149475	SP15/C	Washer, 2 BA	1	—	C	
	23Q1864	FAIRLEAD, GROUP	1	—	MR	QP8/236
		Consisting of:—				
	23aQ1864	Fairlead, half	1	L33		
	23bQ1864	Fairlead, half	1	L33		
	1Q1899	GUARD, PIPE, GROUP	1	—		QP8/237
6A/4333488	DUNLOP AH029130	Gauge, pressure, 3,000 p.s.i.	2	—	A	QP8/238
		MOUNTING, BRAKE ACCUMULATOR, ... PRESSURE TRANSMITTER (Q2073)	—	—		
		Spares for:—				
26FP/2453	1SS3859	Clip	2	—	C	
7339	2Q2073	CLAMP, GROUP	1	—	C	QP8/239
	22SS3554	Cross-piece	2	—		QP8/240
26FZ/40149	EA3-73-313	ELBOW ASSY	2	—	C	QP8/240A
	177Q1870	PIPE, 3/16" o/d x 22G x 17" LONG, PRESSURE TRANSMITTER TO PRESSURE RELAY, GROUP	1	DTD323A	MR	QP8/241
	178Q1870	PIPE, 3/16" o/d x 22G x 19" LONG, PRESSURE RELAY TO CROSS- PIECE, GROUP	1	DTD323A	MR	QP8/242

SERVICES
HYDRAULIC

Ref. No.	Part No.	Description	No. off	Matl. Spec.	Cl. of	Plate and Illust'n No.
					St. M.R.	
		1 2 3 4				
		MOUNTING, BRAKE ACCUMULATOR PRESSURE TRANSMITTER (Q2073) (Cont'd)				
7337	179Q1870	PIPE, 3/16" o/d x 22G x 5" LONG, .. PRESSURE TRANSMITTER TO PRESSURE RELAY, GROUP	1	DTD323A	C	QP8/243
7338	180Q1870	PIPE, 3/16" o/d x 22G x 14" LONG, . PRESSURE RELAY TO CROSS- PIECE, GROUP	1	DTD323A	C	QP8/244
6A/4295	SANGAMO WESTON FD890	Plate, mounting, transmitter	2	—	C	QP8/245
27VA/4625951	DUNLOP ACM18798	Relay, pressure	2	—	A	QP8/246
6A/3935	SANGAMO WESTON S122/4/44	Transmitter, pressure	2	—	A	QP8/247
2518	3Q1864	PANEL, HYDRAULIC, LESS PIPES, ... AND VALVES, GROUP	1	—	C	QP8/248
2519	16Q1864	Spares for:— Strap, accumulator	8	—	C	QP8/249
11409	7Q1864	PANEL, ACCUMULATOR CHARGING, GROUP	1	—	A	QP8/250
		Spares for:—				
6A/2237916	HIGH PRESSURE COMPONENTS A58 MK.2	Connection, charge	2	—		QP8/251
	—	Gauge, pressure, 4,000 lb p.s.i.	2	—	B	QP8/252
	13SS3555	Nipple, running charge valve	2	—	MR	QP8/253
	11Q1870	PIPE, 3/16" o/d x 22G x 9" LONG, .. CHARGE VALVE TO PRESSURE GAUGE, TOP, GROUP	1	DTD323A		QP8/254
9738	13Q1870	PIPE, 3/16" o/d x 22G x 9" LONG, .. CHARGE VALVE TO PRESSURE VALVE, BOTTOM, GROUP	1	DTD323A	C	QP8/255
2521	38SS3567	Union, banjo	2	—	C	QP8/256
26FP/10114	1SS1585	Washer, tab	2	—	C	QP8/257
	2Q1870	PIPE, 1/4" o/d x 22G x 18" LONG, REDUCTION VALVE TO CONTROL VALVE, GROUP	1	DTD323A	MR	QP8/258
1433213	3Q1870	PIPE, 1/4" o/d x 22G x 24" LONG, PRESSURE REDUCTION VALVE TO CONTROL VALVE, GROUP	1	DTD323A	C	QP8/259

SERVICES
HYDRAULIC

Ref. No.	Part No.	Description	No. off	Matl. Spec.	Cl. of	Plate and Illust'n No.
					St. M.R.	
		1 2 3 4				
		PANEL, HYDRAULIC, IN NOSE WHEEL BAY (Q1864) (Cont'd)				
1433110	4Q1870	PIPE, 1/4" o/d x 22G x 6" LONG, FEED BLOCK TO REDUCTION VALVE, GROUP	1	DTD323A	C	QP8/260
1433111	5Q1870	PIPE, 3/16" o/d x 22G x 22" LONG, ... PRESSURE RELIEF VALVE TO TEE-PIECE, GROUP	1	DTD323A	C	QP8/261
1433112	7Q1870	PIPE, 1/4" o/d x 22G x 24" LONG, TEE-PIECE TO RELEASE VALVE, GROUP	1	DTD323A	C	QP8/262
1433113	8Q1870	PIPE, 3/16" o/d x 22G x 7" LONG, TEE-PIECE TO RELEASE VALVE, GROUP	1	DTD323A	C	QP8/263
	10Q1870	PIPE, 1/4" o/d x 22G x 32" LONG, ACCUMULATOR TO CHARGING VALVE, GROUP	1	DTD323A	MR	QP8/264
	12Q1870	PIPE, 1/4" o/d x 22G x 32" LONG, ACCUMULATOR TO CHARGING VALVE, GROUP	1	DTD323A	MR	QP8/265
11137	14Q1870	PIPE, 3/16" o/d x 22G x 6" LONG, PRESSURE RELIEF VALVE TO TEE-PIECE, GROUP	1	L56	C	QP8/266
	15Q1870	PIPE, 3/16" o/d x 22G x 6" LONG, TEE-PIECE TO RELEASE VALVE, GROUP	1	L56		QP8/267
	16Q1870	PIPE, 3/16" o/d x 22G x 24" LONG, ... RETURN BLOCK TO TEE-PIECE, GROUP	1	L56		QP8/268
	116Q1870	PIPE, 3/16" o/d x 22G x 8" LONG, BLEED BLOCK No. 1, PORT TO PRESSURE GAUGE, GROUP	1	DTD323A		QP8/269
	117Q1870	PIPE, 3/16" o/d x 22G x 12" LONG, ... BLEED BLOCK, No. 1, PORT TO PRESSURE RELAY, GROUP	1	DTD323A		QP8/270
	118Q1870	PIPE, 3/16" o/d x 22G x 9" LONG, BLEED BLOCK No. 1, STAR- BOARD TO PRESSURE GAUGE, GROUP	1	DTD323A		QP8/271
11877	119Q1870	PIPE, 3/16" o/d x 22G x 10" LONG, ... BLEED BLOCK, No. 1, STAR- BOARD TO PRESSURE RELAY, GROUP	1	DTD323A	C	QP8/272
	120Q1870	PIPE, 3/16" o/d x 22G x 12" LONG, ... BLEED BLOCK No. 2, STAR- BOARD TO PRESSURE GAUGE, GROUP	1	DTD323A		QP8/273

SERVICES
HYDRAULIC

Ref. No.	Part No.	Description	No. off	Matl. Spec.	Cl. of	Plate and Illust'n No.
					St. M.R.	
		1 2 3 4				
1433122	48Q1866	PANEL, HYDRAULIC, IN NOSE WHEEL BAY (Q1864) (Cont'd)				
		PIPE, 1/4" o/d x 22G x 12" LONG, FROM STEERING STOP VALVE PRESSURE REDUCING VALVE, GROUP (See:—Piping Services, Hydraulic Panel in Nosewheel Bay)	1	DTD323A	C	
	85Q1866	PIPE, 3/16" o/d x 22G x 8" LONG, FROM PRESSURE REDUCING VALVE TO RETURN BLOCK, GROUP (See:—Piping Services, Hydraulic Panel in Nosewheel Bay)	1	L56	MR	
	86Q1866	PIPE, 3/16" o/d x 22G x 28" LONG, . . . FROM JETTISON VALVE TO RETURN BLOCK, GROUP (See:—Piping Services, Hydraulic Panel in Nosewheel Bay)	1	L56		
17473	88Q1866	PIPE, 1/4" o/d x 22G x 18" LONG, FROM RETURN BLOCK TO PRESSURE REDUCING VALVE, GROUP (See:—Piping Services, Hydraulic Panel in Nosewheel Bay)	1	L56		
	89Q1866	PIPE, 1/4" o/d x 22G x 10" LONG, FROM RETURN BLOCK TO PRESSURE REDUCING VALVE, GROUP (See:—Piping Services, Hydraulic Panel in Nosewheel Bay)	1	L56	C	
	91Q1866	PIPE, 1/4" o/d x 22G x 16" LONG, FROM CONTROL VALVE TO RETURN BLOCK, GROUP (See:—Piping Services, Hydraulic Panel in Nosewheel Bay)	1	L56	MR	
	92Q1866	PIPE, 1/4" o/d x 22G x 16" LONG, FROM STEERING STOP VALVE TO RETURN BLOCK, GROUP (See:—Piping Services, Hydraulic Panel in Nosewheel Bay)	1	L56	MR	
	93Q1866	PIPE, 3/8" o/d x 20G x 6" LONG, FROM RETURN BLOCK TO NON-RETURN VALVE, GROUP (See:—Piping Services, Hydraulic Panel in Nosewheel Bay)	1	L56		

VULCAN Mk. 2

SERVICES
HYDRAULIC

Page QP. 27

Ref. No.	Part No.	Description	No. off	Matl. Spec.	Cl. of	Plate and Illust'n No.
					St. M.R.	
		1 2 3 4				
		PANEL, HYDRAULIC, IN NOSE WHEEL BAY (Q1864) (Cont'd)				
	203Q1866	PIPE, 1/2" o/d x 18G x 16" LONG, FROM FEED BLOCK TO CONTROL VALVE, GROUP (See:—Piping Services, Hydraulic Panel in Nosewheel Bay)	1	DTD503	MR	
11120	204Q1866	PIPE, 1/2" o/d x 18G x 14" LONG, FROM RETURN BLOCK TO CONTROL VALVE, GROUP (See:—Piping Services, Hydraulic Panel in Nosewheel Bay)	1	DTD503	C	
1433121	20Q1867	PIPE, 1/4" o/d x 22G x 48" LONG, FROM CONTROL VALVE TO PRESSURE REDUCING VALVE, GROUP	1	DTD503	C	QP8/283
1433165	123Q1867	PIPE, 3/8" o/d x 20G x 36" LONG, FROM PRESSURE REDUCING VALVE TO TEE-PIECE, GROUP	1	DTD503	C	QP8/284
	139Q1866	PIPE, 3/8" o/d x 20G x 18" LONG, FROM NON-RETURN VALVE TO BRAKES CONTROL VALVE, GROUP (See:—Piping Services, Hydraulic Panel in Nosewheel Bay)	1	L56		
27VA/4625951	DUNLOP ACM18798	Relay, pressure (Mod. 238)	4	—	A	QP8/285
27QM/1446885	DOWTY 1.00982.006	Valve, control, nose wheel u/c jack	1	—	A	QP8/286
27QM/1446884	1.00982.005	(Mod. 2180) Valve, control, nose wheel door	1	—	A	QP8/287
27QM/4173658	DOWTY 1.00137.002	(Mod. 2180) Valve, steering stop	1	—	A	QP8/288
27QM/4117649	D4930Y DOWTY	Valve, pressure release	2	—	A	QP8/289
27QM/1490060	C4719Y.B.O.7 DOWTY	Valve, pressure reducing (Mod. 2273) ...	1	—	A	QP8/290
27QM/4173708	C6770Y MK.B DUNLOP	Valve, jettison	1	—	A	QP8/291
27G/2781	AC14512 DUNLOP	Valve, brake control, 2,500 p.s.i.	1	—	A	QP8/292
27VA/4625738	AC12220 DOWTY	Valve, pressure reducing	2	—	A	QP8/293
4820-99- 4117455	D6230Y	Valve, non-return	1	—	A	

SERVICES
HYDRAULIC

Ref. No.	Part No.	Description	No. off	Matl. Spec.	Cl. of St.	Plate and Illust'n No.
					M.R.	
		1 2 3 4				
		PIPING, SERVICES IN NOSE WHEEL BAY (Q1875) (Cont'd)				
	27Q1870	PIPE, 3/16" o/d x 22G x 60" LONG, UNION TO UNION, FORWARD PRESSURE BULKHEAD, GROUP	1	L56	MR	QP6/294
	28Q1870	PIPE, 3/16" o/d x 22G x 42" LONG, UNION TO UNION, FORWARD PRESSURE BULKHEAD, GROUP	1	L56	MR	QP6/295
	37Q1870	PIPE, 3/16" o/d x 22G x 49" LONG, UNION TO UNION, FORWARD PRESSURE BULKHEAD, GROUP	1	L56	MR	QP8/296
	38Q1870	PIPE, 3/16" o/d x 22G x 60" LONG, UNION TO UNION, FORWARD PRESSURE BULKHEAD, GROUP	1	L56	MR	QP6/297
	43Q1870	PIPE, 3/16" o/d x 22G x 60" LONG, UNION TO UNION, FORWARD PRESSURE BULKHEAD, GROUP	1	L56	MR	QP6/298
	44Q1870	PIPE, 3/16" o/d x 22G x 42" LONG, UNION TO UNION, FORWARD PRESSURE BULKHEAD, GROUP	1	L56	MR	QP6/299
	55Q1870	PIPE, 3/16" o/d x 22G x 42" LONG, UNION TO UNION, FORWARD PRESSURE BULKHEAD, GROUP	1	L56	MR	QP6/300
	56Q1870	PIPE, 3/16" o/d x 22G x 60" LONG, UNION TO UNION, FORWARD PRESSURE BULKHEAD, GROUP	1	L56	MR	QP6/301
3167	59Q1870	PIPE, 1/4" o/d x 22G x 18" LONG, TEE PIECE TO CONTROL VALVE, GROUP	1	DTD323A	C	QP6/302
	60Q1870	PIPE, 1/4" o/d x 22G x 72" LONG, TEE-PIECE TO UNION, GROUP	1	DTD323A	MR	QP6/303
	77Q1870	PIPE, 1/4" o/d x 22G x 72" LONG, TEE-PIECE TO UNION, GROUP	1	DTD323A	MR	QP6/304
3168	78Q1870	PIPE, 1/4" o/d x 22G x 12" LONG, TEE-PIECE TO CONTROL VALVE, GROUP	1	DTD323A	C	QP6/305
3169	79Q1870	PIPE, 1/4" o/d x 22G x 18" LONG, TEE-PIECE TO CONTROL VALVE, GROUP	1	DTD323A	C	QP6/306

SERVICES
HYDRAULIC

Ref. No.	Part No.	Description	No. off	Matl. Spec.	Cl. of	Plate and Illust'n No.
					St. M.R.	
		1 2 3 4				
		PIPING SERVICES, IN NOSE WHEEL BAY (Q1875) (Cont'd)				
1433278	80Q1870	PIPE, 1/4" o/d x 22G x 6" LONG, FROM ADAPTOR AT FORMER 86.5 IN N/W BAY, GROUP	1	DTD323A	C	QP6/307
1433279	97Q1870	PIPE, 1/4" o/d x 22G x 6" LONG, FROM ADAPTOR TO FORMER 86.5", GROUP	1	DTD323A	C	QP6/308
3170	98Q1870	PIPE, 1/4" o/d x 22G x 6" LONG, TEE-PIECE TO CONTROL VALVE, GROUP	1	DTD323A	C	QP6/309
3174	124Q1870	PIPE, 3/16" o/d x 22G x 18" LONG, TEE-PIECE TO PRESSURE RELAY, GROUP	1	DTD323A	C	QP6/310
	125Q1870	PIPE, 3/16" o/d x 22G x 18" LONG, TEE-PIECE TO PRESSURE RELAY, GROUP	1	DTD323A	MR	QP6/311
3172	126Q1870	PIPE, 3/16" o/d x 22G x 12" LONG, TEE-PIECE TO PRESSURE RELAY, GROUP	1	DTD323A	C	QP6/312
3171	127Q1870	PIPE, 3/16" o/d x 22G x 9" LONG, TEE-PIECE TO PRESSURE RELAY, GROUP	1	DTD323A	C	QP6/313
	144Q1870	PIPE, 3/16" o/d x 22G x 36" LONG, BRAKE CONTROL VALVE TO UNION, GROUP	1	L56	MR	QP6/314
	147Q1870	PIPE, 3/16" o/d x 22G x 36" LONG, BRAKE CONTROL VALVE TO UNION, GROUP	1	L56	MR	QP6/315
	148Q1870	PIPE, 3/16" o/d x 22G x 27" LONG, BRAKE CONTROL VALVE TO UNION, GROUP	1	L56	MR	QP6/316
	151Q1870	PIPE, 3/16" o/d x 22G x 36" LONG, BRAKE CONTROL VALVE TO UNION, GROUP	1	L56	MR	QP6/317
	33Q2103	PIPE, 3/16" o/d x 22G, UNION TO UNION, GROUP	1	L56		QP6/318
	34Q2103	PIPE, 3/16" o/d x 22G, UNION TO UNION, GROUP	1	L56		QP6/319

SERVICES
HYDRAULIC

Ref. No.	Part No.	Description	No. off	Matl. Spec.	Cl. of St.	Plate and Illust'n No.
					M.R.	
		1 2 3 4				
		PIPING SERVICES, IN NOSE WHEEL BAY (Q1875) (Cont'd.)				
	35Q2103	PIPE, 3/16" o/d x 22G, UNION TO UNION, GROUP	1	L65		QP6/320
	36Q2103	PIPE, 3/16" o/d x 22G, UNION TO UNION, GROUP	1	L56		QP6/321
	37Q2103	PIPE, 3/16" o/d x 22G, UNION TO UNION, GROUP	1	L56		QP6/322
	38Q2103	PIPE, 3/16" o/d x 22G, UNION TO UNION, GROUP	1	L56		QP6/323
	39Q2103	PIPE, 3/16" o/d x 22G, UNION TO UNION, GROUP	1	L56		QP6/324
	40Q2103	PIPE, 3/16" o/d x 22G, UNION TO UNION, GROUP	1	L56		QP6/325
		PIPING SERVICES, POWER PACK TO BRAKE ACCUMULATOR BULKHEAD 75 TO BOMB ARCH 151.99 (Q2071) Spares for:—				
	6SS3859	Clip	8	—		
	164Q1870	PIPE, 1/2" o/d x 18G x 69" LONG, UNION TO UNION, GROUP	1	DTD603	MR	QP7/326
	167Q1870	PIPE, 1/2" o/d x 18G x 56" LONG, UNION TO BULKHEAD ADAPTOR, GROUP	1	DTD503	MR	QP7/327
	170Q1870	PIPE, 1/2" o/d x 18G x 66" LONG, ADAPTOR TO TEE-PIECE, GROUP	1	DTD503	MR	QP8/328
	171Q1870	PIPE, 1/4" o/d x 22G x 5" LONG, TEE-PIECE TO NON-RETURN VALVE, GROUP	1	DTD323A		QP8/329
	172Q1870	PIPE, 1/4" o/d x 22G x 7" LONG, TEE-PIECE TO NON-RETURN VALVE, GROUP	1	DTD323A		QP8/330
1433114	173Q1870	PIPE, 1/4" o/d x 22G x 5" LONG, NON-RETURN VALVE TO CROSS-PIECE	1	DTD323A	C	QP8/331

VULCAN Mk. 2

SERVICES
HYDRAULIC

Page QP. 31

Ref. No.	Part No.	Description	No. off	Matl. Spec.	Cl. of St.	Plate and Illust'n No.
					M.R.	
		1 2 3 4				
		PIPING SERVICES, POWER PACK TO BRAKE ACCUMULATORS (Q2071) (Cont'd.)				
1433115	174Q1870	PIPE, 1/4" o/d x 22G x 8" LONG, NON-RETURN VALVE TO CROSS-PIECE, GROUP	1	DTD323A	C	QP8/332
	8Q2103	PIPE, 1/4" o/d x 22G x 9" LONG, SELECTOR VALVE TO UNION, GROUP	1	DTD503		QP7/333
	26Q2103	PIPE, 1/2" o/d x 18G, UNION TO UNION, GROUP	1	DTD503		QP6/334
	27Q2103	PIPE, 1/2" o/d x 18G, ADAPTOR TO UNION, GROUP	1	DTD503		QP6/335
	32Q2103	PIPE, 1/2" o/d x 18G, UNION TO ADAPTOR, GROUP	1	DTD503		QP6/336
	51Q2103	PIPE, 1/2" o/d x 18G, UNION TO UNION, GROUP	1	DTD503		QP7/337
	52Q2103	PIPE, 1/2" o/d x 18G, UNION TO ADAPTOR, GROUP	1	DTD503		QP7/338
26TA/8745	158SS3557	Tee-piece	1	—	C	QP8/339
27Q/4154620	DOWTY D5220Y	Valve, non-return	2	—	A	QP8/340
		PIPING SERVICES, IN AIR INTAKES, PORT AND STARBOARD (Q2212) Spares for:—				
	15Q2212	Bracket (Mod. 2203)	1	L72		
	16Q2212	Bracket (Mod. 2203)	2	L72		
22039	18Q1885	FAIRLEAD, PORT AND STARBOARD, GROUP	2	—	C	QP6/341
		Consisting of:—				
28D/1010030	A25/7C	Bolt, hex. head, 2 BA	1	—	C	
	18cQ1885	Bonding, 30G x 1/2"	1	L4		
	18aQ1885	Fairlead, half, 1/2" x 1/2" x 1-1/4"	1	BSS668		
	18bQ1885	Fairlead, half, 1/2" x 1/2" x 1-1/4"	1	BSS668		
28M/1012015	AGS2001/C1/66	Nut, stiff, 2 BA	1	—	C	
28W/9419475	SP15/C	Washer, 2 BA	1	—	C	
	10Q2212	FAIRLEAD, STARBOARD, GROUP	5	—		QP6/342
		Consisting of:—				
28D/9140645	A25/10C	Bolt, hex. head, 2 BA	2	—	C	
	10cQ2212	Bonding, 30G x 3/8" wide	1	L4		
	10aQ2212	Fairlead, half, 1/2" x 3/8" x 4-1/8"	2	BSS668		
28M/1012015	AGS2001/C1/66	Nut, stiff, 2 BA	2	—	C	
28W/9419475	SP15/C	Washer, 2 BA	2	—	C	

SERVICES
HYDRAULIC

Ref. No.	Part No.	Description	No. off	Matl. Spec.	Cl. of St.	Plate and illust'n No.
					M.R.	
		1 2 3 4				
		PIPING SERVICES, IN AIR INTAKES, PORT AND STARBOARD (Q2212) (Cont'd.)				
	13Q2212	FAIRLEAD, PORT, GROUP	2	—		QP6/343
		Consisting of:—				
28D/9133014	A25/13C	Bolt, hex. head, 2 BA	2	—	C	
	13bQ2212	Bonding, 30G x 3/8" wide	1	L4		
	13aQ2212	Fairlead, half, .375" x 65" x 4.83"	2	BSS668		
28M/1012015	AGS2001/C1/66	Nut, stiff, 2 BA	2	—	C	
28W/9419475	SP15/C	Washer, 2 BA	2	—	C	
	13Q1627	FAIRLEAD, PORT, GROUP	1	—		QP6/344
		Consisting of:—				
28D/1010030	A25/7C	Bolt, hex. head, 2 BA	1	—	C	
	13bQ1627	Bonding, 30G x 1/2"	1	L4		
	13aQ1627	Fairlead, half, 1-1/4" x 1/2" x 3/16"	2	BSS668		
28M/1012015	AGS2001/C1/66	Nut, stiff, 2 BA	1	—	C	
28W/9419475	SP15/C	Washer, 2 BA	1	—	C	
	4Q1884	FAIRLEAD, PORT, GROUP	3	—		QP6/345
		Consisting of:—				
28D/1011022	A25/18C	Bolt, hex. head, 2 BA	2	—	C	
	4cQ1884	Bonding, 3/8" x 30G	1	L4		
	4aQ1884	Fairlead, half, 4.5/8" x 1" x 3/8"	1	BSS668		
	4bQ1884	Fairlead, half, 4.5/8" x 1" x 3/8"	1	BSS668		
28M/1012015	AGS2001/C1/66	Nut, stiff, 2 BA	2	—	C	
28W/9419475	SP15/C	Washer, 2 BA	2	—	C	
	17Q2212	Packer (Mod. 2203)	2	—		
	61Q1870	PIPE, 1/4" o/d x 22G x 120" LONG, UNION TO UNION, STARBOARD, GROUP	1	DTD323A		QP6/346
	62Q1870	PIPE, 1/4" o/d x 22G x 84" LONG, UNION TO BULKHEAD UNION, STARBOARD, GROUP	1	DTD323A		QP6/347
	75Q1870	PIPE, 1/4" o/d x 22G x 84" LONG, UNION TO BULKHEAD UNION, STANDARD, GROUP	1	DTD323A	MR	QP6/348
	76Q1870	PIPE, 1/4" o/d x 22G x 120" LONG, UNION TO UNION, STARBOARD, GROUP	1	DTD323A		QP6/349
1433378	28Q2103	PIPE, 1/4" o/d x 22G x 126" LONG, UNION TO UNION, PORT, GROUP	1	DTD323A	C	QP6/350

VULCAN No. 2

SERVICES
HYDRAULIC

Page QP. 33

Ref. No.	Part No.	Description	No. off	Matl. Spec.	Cl. of	Place and Illust'n No.
					St.	
		1 2 3 4				
		PIPING SERVICES, IN AIR INTAKES, PORT AND STARBOARD (Q2212) (Cont'd)				
	29Q2103	PIPE, 1/4" o/d x 22G x 90" LONG, UNION TO BULKHEAD UNION, PORT, GROUP	1	DTD323A		QP6/351
1433504	30Q2103	PIPE, 1/4" o/d x 22G x 90" LONG, UNION TO BULKHEAD UNION, PORT, GROUP	1	DTD323A	C	QP6/352
1433379	31Q2103	PIPE, 1/4" o/d x 22G x 126" LONG, UNION TO UNION, PORT, GROUP	1	DTD323A	C	QP6/353
		PIPING SERVICES, MAIN U/C WHEEL BAY, PORT AND STARBOARD (Q2079 AND Q2080) Spares for:—				
	5Q1865	FAIRLEAD, ON REAR U/C BULK- HEAD, GROUP Consisting of:—	2	—	MR	QP7/354
28D/9140645	A25/10C	Bolt, hex. hd., 2 BA	2	—	C	
28D/1010142	A25/9B	Bolt, hex. hd., 4 BA	2	—	C	
	5bQ1865	Bonding, 30G x 1/2" x 12"	1	L16		
	5aQ1865	Fairlead, half, 1/2" x 1/2" x 5-3/4"	1	BSS668		
	5cQ1865	Fairlead, half, 1/2" x 1/2" x 5-3/4"	1	BSS668		
28M/1012015	AGS2001/C1/66	Nut, stiff, 2 BA	2	—	C	
28M/1278189	AGS2001/B1	Nut, stiff, 2 BA	2	—	C	
28W/9419402	SP13/C	Washer, 2 BA	2	—	C	
28W/9419465	SP13/B	Washer, 2 BA	2	—	C	
	7Q1865	FAIRLEAD, ON RIB 162.5, PORT, GROUP Consisting of:—	1	—	MR	QP7/355
28D/9435710	A25/11C	Bolt, hex. hd., 2 BA	2	—	C	
28D/9133013	A25/5C	Bolt, hex. hd., 2 BA	2	—	C	
28D/9140639	A25/11B	Bolt, hex. hd., 4 BA	1	—	C	
	7cQ1865	Bonding, 30G x 1/2" x 12"	1	L16		
26FP/13942	SS3867	Bracket, angle	2	—	C	
	7aQ1865	Fairlead, half, 6.6" x .6" x .5"	1	BSS668		
	7bQ1865	Fairlead, half, 6.6" x .6" x .5"	1	BSS668		
28M/1012015	AGS2001/C1/66	Nut, stiff, 2 BA	4	—	C	
28M/1278189	AGS2001/B1	Nut, stiff, 4 BA	1	—	C	
28W/9419402	SP13/C	Washer, 2 BA	4	—	C	
28W/9419465	SP13/B	Washer, 4 BA	1	—	C	

SERVICES
HYDRAULIC

Ref. No.	Part No.	Description	No. off	Matl. Spec.	Cl. of	Plate and Illust'n No.
					St.	
		1 2 3 4			M.R.	
		PIPING SERVICES, MAIN U/C WHEEL BAY, PORT AND STARBOARD (Q2079, Q2080) (Cont'd)				
	6Q1865	FAIRLEAD, ON RIB 162.5, GROUP	2	—	MR	QP7/356
		Consisting of:—				
28D/9435711	A25/108	Bolt, hex. hd., 4 BA	1	—	C	
	6bQ1865	Bonding, 30G x 1/2" x 12"	1	L16		
	6aQ1865	Fairlead, half, 6.05" x 1/2" x 1/2"	2	BSS668		
28M/1278189	AGS2001/B1	Nut, stiff, 4 BA	1	—	C	
28W/9419465	SP13/B	Washer, 4 BA	1	—	C	
	8Q1865	FAIRLEAD, ON RIB 162.5, GROUP	2	—	MR	QP7/357
		Consisting of:—				
28D/9133013	A25/5C	Bolt, hex. hd., 2 BA	2	—	C	
28D/9435710	A25/11C	Bolt, hex. hd., 2 BA	2	—	C	
28D/9140639	A25/11B	Bolt, hex. hd., 4 BA	2	—	C	
	8cQ1865	Bonding, 30G x 1/2" x 7"	1	L16		
26FP/13942	SS3867	Bracket, angle	2	—	C	
	8aQ1865	Fairlead, half, 5-1/2" x 1/2" x 1/2"	1	BSS668		
	8bQ1865	Fairlead, half, 5-1/2" x 1/2" x 1/2"	1	BSS668		
28M/1012015	AGS2001/C1/66	Nut, stiff, 2 BA	4	—	C	
28M/1278189	AGS2001/B1	Nut, stiff, 4 BA	2	—	C	
28W/9419402	SP13/C	Washer, 2 BA	4	—	C	
28W/9419465	SP13/B	Washer, 4 BA	2	—	C	
	10Q1865	FAIRLEAD, ON U/C REAR BULK-HEAD, GROUP	2	—		QP7/358
		Consisting of:—				
28D/9133013	A25/5C	Bolt, hex. hd., 2 BA	1	—	C	
28D/9435710	A25/11C	Bolt, hex. hd., 2 BA	2	—	C	
	10cQ1865	Bonding, 30G x 1/2" x 6"	1	L16		
26FP/13942	SS3867	Bracket, angle	1	—	C	
	10aQ1865	Fairlead, half	1	BSS668		
	10bQ1865	Fairlead, half	1	BSS668		
28M/1012015	AGS2001/C1/66	Nut, stiff, 2 BA	3	—	C	
28W/9419402	SP13/C	Washer, 2 BA	3	—	C	
	11Q1878	FAIRLEAD, ON RIB 162.5, STARBOARD, GROUP	—	—	MR	QP7/359
		Consisting of:—				
28D/9133013	A25/5C	Bolt, hex. hd., 2 BA	2	—	C	
28D/9435710	A25/11C	Bolt, hex. hd., 2 BA	2	—	C	
28D/9140639	A25/11B	Bolt, hex. hd., 4 BA	1	—	C	
	11cQ1878	Bonding, 30G x 1/2" x 17"	1	L16		
26FP/13942	SS3867	Bracket, angle	2	—	C	
	11aQ1878	Fairlead, half, 5.85" x 5" x .5"	1	BSS668		
	11bQ1878	Fairlead, half, 5.85" x 6" x .5"	1	BSS668		
28M/1012015	AGS2001/C1/66	Nut, stiff, 2 BA	2	—	C	
28M/1278189	AGS2001/B1	Nut, stiff, 4 BA	1	—	C	
28W/9419402	SP13/C	Washer, 2 BA	4	—	C	
28W/9419465	SP13/B	Washer, 4 BA	1	—	C	

VULCAN No. 2

SERVICES
HYDRAULIC

Page OP. 35

Ref. No.	Part No.	Description	No. off	Matl. Spec.	Cl. of	Plate and Illust'n No.
					St. M.R.	
		1 2 3 4				
PIPING SERVICES MAIN U/C WHEEL BAY, PORT AND STARBOARD (Q2079, Q2080) (Cont'd)						
	12Q1865	FAIRLEAD, ON RIB 162.5, GROUP	2	—	MR	OP7/360
		Consisting of:—				
28D/9133013	A25/5C	Bolt, hex. hd., 2 BA	4	—	C	
28D/9435170	A25/11C	Bolt, hex. hd., 2 BA	4	—	C	
28D/9140639	A25/11B	Bolt, hex. hd., 4 BA	2	—	C	
	12cQ1865	Bonding, 30G x 1/2" x 12"	1	L16		
26FP/13942	SS3867	Bracket, angle	1	—	C	
	12aQ1865	Fairlead, half, 6.65" x .5" x .5"	1	BSS668		
	12bQ1865	Fairlead, half, 6.65" x .6" x .5"	1	BSS668		
28M/1012015	AGS2001/C1/66	Nut, stiff, 2 BA	8	—	C	
28M/1278189	AGS2001/B1	Nut, stiff, 4 BA	2	—	C	
28W/9419402	SP13/C	Washer, 2 BA	8	—	C	
28W/9419486	SP16/B	Washer, 4 BA	2	—	C	
	10Q1878	FAIRLEAD, ON RIB 162.5, GROUP	2	—	MR	OP7/361
		Consisting of:				
28D/9133013	A25/5C	Bolt, hex. hd., 2 BA	1	—	C	
28D/9435170	A25/11C	Bolt, hex. hd., 2 BA	2	—	C	
	10cQ1878	Bonding, 30G x 1/2" x 6"	1	—		
26FP/13942	SS3867	Bracket, angle	1	—	C	
	10aQ1878	Fairlead, half, 2.4" x 1/2" x 1/2"	1	BSS668		
	10bQ1878	Fairlead, half, 2.4" x 1/2" x 1/2"	1	BSS668		
28M/1012015	AGS.2001/C1/66	Nut, stiff, 2 BA	3	—	C	
28W/9419402	SP13/C	Washer, 2 BA	3	—	C	
6710	2Q2103	PIPE, 1/4" O/D x 22G. x 45" LONG,	1	DTD323A	C	
ADAPTOR TO UNION, STARBOARD GROUP (Pre-Mod. 2236)						
1505333	80Q2103	PIPE, 1/4" O/D x 22G, ADAPTOR	1	DTD5016		OP7/362
TO UNION, STARBOARD, GROUP (Mod. 2236)						
6711	3Q2103	PIPE, 1/4" O/D x 22G x 46" LONG	1	DTD323A	C	
ADAPTOR TO UNION, STARBOARD, GROUP (Pre-Mod. 2236)						
1505332	79Q2103	PIPE, 1/4" O/D x 22G, ADAPTOR	1	DTD5016		OP7/363
TO UNION, STARBOARD GROUP (Mod. 2236)						
6712	4Q2103	PIPE, 1/4" O/D x 22G x 41" LONG,	1	DTD323A	C	
ADAPTOR TO UNION, PORT, GROUP (Pre-Mod. 2236)						
1505326	73Q2103	PIPE, 1/4" O/D x 22G, ADAPTOR	1	DTD5016		OP7/364
TO UNION, PORT, GROUP (Mod. 2236)						

SERVICES
HYDRAULIC

Ref. No.	Part No.	Description	No. off	Matl. Spec.	Cl. of	Plate and Illust'n No.
					St. M.R.	
		1 2 3 4				
		PIPING SERVICES, MAIN U/C WHEEL BAY, PORT AND STARBOARD (Q2079, Q2080) (Cont'd)				
6713	5Q2103	PIPE, 1/4" o/d x 22G x 34" LONG UNION TO ADAPTOR, PORT, GROUP (Pre-Mod. 2236)	1	DTD323A	C	
	72Q2103	PIPE, 1/4" o/d x 22G, ADAPTOR TO UNION, PORT, GROUP (Mod. 2236)	1	DTD5016	MR	OP7/365
6714	6Q2103	PIPE, 3/16" o/d x 22G x 46" LONG ADAPTOR TO UNION, PORT, GROUP (Pre-Mod. 2236)	1	DTD323A	C	
	71Q2103	PIPE, 3/16" o/d x 22G, ADAPTOR TO UNION, PORT, GROUP (Pre Mod. 2236)	1	DTD5016	MR	OP7/366
6715	7Q2103	PIPE, 3/16" o/d x 22G x 66" LONG UNION TO TEE-PIECE, STARBOARD, GROUP (Pre-Mod. 2236)	1	DTD323A	C	
	81Q2103	PIPE, 3/16" o/d x 22G, UNION TO TEE-PIECE, STARBOARD, GROUP (Mod. 2236)	1	DTD5016	MR	OP7/367
	41Q2103	PIPE, 3/16" o/d x 22G, UNION TO SWIVEL, STARBOARD, GROUP (Pre-Mod. 2236)	1	DTD323A	MR	
	84Q2103	PIPE, 3/16" o/d x 22G, UNION TO SWIVEL, STARBOARD, GROUP (Mod. 2236)	1	DTD5016	MR	OP7/368
	42Q2103	PIPE, 1/4" o/d x 22G, UNION TO SWIVEL, STARBOARD, GROUP (Pre-Mod. 2236)	1	DTD323A	MR	
	85Q2103	PIPE, 1/4" o/d x 22G, UNION TO SWIVEL, STARBOARD, GROUP (Mod. 2236)	1	DTD5016	MR	OP7/369
	43Q2103	PIPE, 1/4" o/d x 22G, UNION TO SWIVEL, STARBOARD, GROUP (Pre-Mod. 2236)	1	DTD323A	MR	
	86Q2103	PIPE, 1/4" o/d x 22G, UNION TO SWIVEL, STARBOARD, GROUP (Mod. 2236)	1	DTD5016	MR	OP7/370

VULCAN Mk. 2

SERVICES
HYDRAULIC

Page OP. 35B

Ref. No.	Part No.	Description	No. off	Matl. Spec.	Cl. of St.	Plate and Illust'n No.
					M.R.	
		1 2 3 4				
		PIPING SERVICES, MAIN U/C WHEEL BAY, PORT AND STARBOARD (Q2079, Q2080) (Cont'd)				
	44Q2103	PIPE, 1/4" o/d x 22G, UNION TO SWIVEL, PORT, GROUP (Pre-Mod. 2236)	1	DTD323A	MR	
	78Q2103	PIPE, 1/4" o/d x 22G, UNION TO SWIVEL, PORT, GROUP (Mod. 2236)	1	DTD5016	MR	QP7/371
	45Q2103	PIPE, 1/4" o/d x 22G, UNION TO SWIVEL, PORT, GROUP (Pre-Mod. 2236)	1	DTD323A	MR	
1505330	77Q2103	PIPE, 1/4" o/d x 22G, UNION TO SWIVEL, PORT, GROUP (Mod. 2236)	1	DTD5016		QP7/372
	46Q2103	PIPE, 3/16" o/d x 22G x 66" LONG UNION TO SWIVEL, PORT, GROUP (Pre-Mod. 2236)	1	DTD323A	MR	
	76Q2103	PIPE, 3/16" o/d x 22G, UNION TO SWIVEL, PORT, GROUP (Mod. 2236)	1	DTD5016	MR	QP7/373
	67Q1870	PIPE, 1/4" o/d x 22G x 61" LONG, UNION TO UNION, STARBOARD, GROUP (Pre-Mod. 2236)	1	DTD323A	MR	
	83Q2103	PIPE, 1/4" o/d x 22G, UNION TO UNION, STARBOARD, GROUP (Pre-Mod. 2236)	1	DTD5016	MR	QP7/374
	70Q1870	PIPE, 1/4" o/d x 22G x 61" LONG, UNION TO UNION, STARBOARD, GROUP (Pre-Mod. 2236)	1	DTD323A	MR	
	82Q2103	PIPE, 1/4" o/d x 22G, UNION TO UNION, STARBOARD, GROUP (Mod. 2236)	1	DTD5016	MR	QP7/375
	87Q1870	PIPE, 1/4" o/d x 22G x 60" LONG, UNION TO UNION, PORT, GROUP (Pre-Mod. 2236)	1	DTD323A	MR	
	74Q2103	PIPE, 1/4" o/d x 22G, UNION TO UNION, PORT, GROUP (Mod. 2236)	1	DTD5016	MR	QP7/376

SERVICES
HYDRAULIC

Ref. No.	Part No.	Description	No. off	Matl. Spec.	Cl. of	Plate and Illust'n No.
					St. M.R.	
		1 2 3 4				
		PIPING SERVICES MAIN U/C WHEEL BAY, PORT AND STARBOARD (Q2079, Q2080) (Cont'd)				
	90Q1870	PIPE, 1/4" o/d x 22G x 60" LONG, UNION TO UNION, PORT, GROUP (Pre-Mod. 2236)	1	DTD323A	MR	
	75Q2103	PIPE, 1/4" o/d x 22G, UNION TO UNION, PORT, GROUP (Mod. 2236)	1	DTD5016	MR	QP7/377

VULCAN Mk. 2

SERVICES
HYDRAULIC

Page QP. 37

Ref. No.	Part No.	Description	No. off	Matl. Spec.	Cl. of St.	Plate and Illust'n No.
					M.R.	
		1 2 3 4				
		BRAKE SYSTEM (Q2103) (Cont'd.)				
		PIPING SERVICES IN ENGINE BAYS, PORT (Q2081) AND STARBOARD (Q2082)				
		Spares for:—				
	57SS3568	Adaptor	8	—	MR	QP7/378
	11cQ2082	Bonding, 30G x 1/2" wide	3	L16		
	34Q2081	FAIRLEAD, ON RIB 162.5" PORT,	4	—	MR	QP7/379
		GROUP				
		Consisting of:—				
	34bQ2081	Bonding, 30G x .5" x 4.5"	1	L16		
	34aQ2081	Fairlead, half	2	BS2772		
3437	13Q1879	FAIRLEAD, BETWEEN ENGINE	7	—	C	QP7/380
		BULKHEAD AND FRONT SPAR, PORT AND STARBOARD, GROUP				
		Consisting of:—				
28D/1011019	A25/8C	Bolt, hex. head, 2 BA	3	—	C	
	13cQ1879	Bonding, 30G x .5" wide	1	L16		
14179	13aQ1879	Fairlead, half, 1-5/8" x 1/2" x 1/2"	2	BS2772	C	
28M/1012015	AGS2001/C1/66	Nut, stiff, 2 BA	3	—	C	
28W/9419475	SP15/C	Washer, 2 BA	3	—	C	
	10Q1879	FAIRLEAD, ON FRONT SPAR, PORT	6	—		QP7/381
		AND STARBOARD, GROUP				
		Consisting of:—				
28D/9140644	A25/9C	Bolt, hex. head, 2 BA	3	—	C	
	18cQ1879	Bonding, 30G x 1/2" wide	1	L16		
14180	18aQ1879	Fairlead, half, 2" x 1/2" x 1/2"	2	BS2772	C	
28M/1012015	AGS2001/C1/66	Nut, stiff, 2 BA	3	—	C	
28W/9419475	SP15/C	Washer, 2 BA	3	—	C	
	11aQ2082	Fairlead, half, 1.3" x 5" x .25"	6	BS2772	MR	QP7/382
	63Q1870	PIPE, 1/4" o/d x 22G x 84" LONG,	1	DTD323A	MR	QP7/383
		UNION TO UNION, STARBOARD, GROUP				
	64Q1870	PIPE, 1/4" o/d x 22G x 53" LONG,	1	DTD323A	MR	QP7/384
		BULKHEAD UNION TO UNION, STARBOARD, GROUP				
	73Q1870	PIPE, 1/4" o/d x 22G x 55" LONG,	1	DTD323A	MR	QP7/385
		BULKHEAD UNION TO UNION STARBOARD, GROUP				
	74Q1870	PIPE, 1/4" o/d x 22G x 64" LONG,	1	DTD323A	MR	QP7/386
		UNION TO ADAPTOR, STARBOARD, GROUP				

SERVICES
HYDRAULIC

Ref. No.	Part No.	Description	No. off	Matl. Spec.	Cl. of	Plate and Illust'n No.
					St. M.R.	
		1 2 3 4				
		PIPING SERVICES, MAIN U/C WHEEL BAY, PORT AND STARBOARD (Q2079, Q2080) (Q3868) (Mod. 2261, PART A, SERIES 200 ENGINES) (Q3871) (Mod. 2261, PART B, SERIES 300 ENGINES) (Cont'd)				
	83Q1870	PIPE, 1/4" o/d x 22G x 59" LONG UNION TO ADAPTOR, PORT, GROUP	1	DTD323A	MR	QP7/387
	84Q1870	PIPE, 1/4" o/d x 22G x 61" LONG BULKHEAD UNION TO UNION, PORT, GROUP	1	DTD323A	MR	QP7/388
	93Q1870	PIPE, 1/4" o/d x 22G x 50" LONG BULKHEAD UNION TO UNION, PORT, GROUP	1	DTD323A	MR	QP7/389
	94Q1870	PIPE, 1/4" o/d x 22G x 64" LONG UNION TO ADAPTOR, PORT, GROUP	1	DTD323A	MR	QP7/390
	103Q1870	PIPE, 1/4" o/d x 22G x 51" LONG ADAPTOR TO UNION, PORT, GROUP	1	DTD323A	MR	QP7/391
3412	104Q1870	PIPE, 1/4" o/d x 22G x 51" LONG ADAPTOR TO UNION, PORT, GROUP	1	DTD323A	C	QP7/392
	105Q1870	PIPE, 1/4" o/d x 22G x 51" LONG ADAPTOR TO UNION, STARBOARD, GROUP	1	DTD323A	MR	QP7/393
	106Q1870	PIPE, 1/4" o/d x 22G x 52" LONG ADAPTOR TO UNION, STARBOARD, GROUP	1	DTD323A	MR	QP7/394
1510435	87Q2103	PIPE, 1/4" o/d x 22G x 66" LONG ADAPTOR TO UNION, PORT, GROUP (Mod. 2261, PART B)	1	DTD5019	C	QP7/395
1510430	91Q2103	PIPE, 1/4" o/d x 22G x 66" LONG ADAPTOR TO UNION, PORT, GROUP (Mod. 2261, PART A)	1	DTD5019	C	

VULCAN No. 1

SERVICES
HYDRAULIC

Page QP. 38A

Ref. No.	Part No.	Description	No. off	Matl. Spec.	Cl. of St.	Plate and Illust'n No.
					M.R.	
		1 2 3 4				
		PIPING SERVICES, MAIN U/C WHEEL BAY, PORT AND STARBOARD (Q2079, Q2080) (Q3868) (Mod. 2261, PART A, SERIES 200 ENGINES) (Q3871) (Mod. 2261, PART B, SERIES 300 ENGINES) (Cont'd)				
1510431	92Q2103	PIPE, 1/4" o/d x 22G x 66" LONG ADAPTOR TO UNION, PORT, GROUP (Mod. 2261, PART B)	1	DTD5019	C	QP7/396
1510436	88Q2103	PIPE, 1/4" o/d x 22G x 66" LONG ADAPTOR TO UNION, PORT, GROUP (Mod. 2261, PART B)	1	DTD5019	C	
6748	20Q2103	PIPE, 1/4" o/d x 22G x 60" LONG ADAPTOR TO UNION, STARBOARD, GROUP (Pre-Mod. 905)	1	DTD323A	C	
	49Q2103	PIPE, 1/4" o/d x 22G x 60" LONG ADAPTOR TO UNION, STARBOARD, GROUP (Mod. 905)	1	DTD323A	MR	QP7/397
6752	24Q2103	PIPE, 1/4" o/d x 22G x 60" LONG ADAPTOR TO UNION, STARBOARD, GROUP (Pre-Mod. 905)	1	DTD323A	C	
	50Q2103	PIPE, 1/4" o/d x 22G x 60" LONG ADAPTOR TO UNION, STARBOARD, GROUP (Mod. 905)	1	DTD323A	MR	

VULCAN MR. 2		SERVICES		Page QP. 39		
		HYDRAULIC				
Ref. No.	Part No.	Description	No. off	Matl. Spec.	Cl. of St.	Plate and Illust'n No.
					M.R.	
		MAIN FEED AND RETURN SYSTEM (Q2101)				
		PIPING SERVICES IN BOMB BAY, BETWEEN BOMB ARCH 123.015" AND 15.919" (Q2249) (Mod. 2318)	—	—		
		Spares for:—				
28D/9140647	A25/14C	Bolt, hex. hd., 2 BA	3	—	C	QP4/64
28F/9423231	AGS1135/D	Bolt, banjo	2	—	C	QP4/65
26TA/5448859	SS5767/D	Banjo	2	—	C	
9193	4SS3859	Clip	1	—	C	
5K/1037291	12A4525	Clip	4	—	C	
	10SS3859	Clip	1	—	MR	
	6SS3859	Clip	2	—		
3290	59SS3554	Cross-piece, 3/8" x 3/8" x 3/8" x 1/4" ...	1	—	C	QP10/399
	2Q1901	FAIRLEAD ON BOMB ARCHES, GROUP	5	—	MR	QP4/66 QP10/400
		Consisting of:—				
28D/1011019	A25/8C	Bolt, hex. hd., 2 BA	1	—	C	
	2Q1901	Binding, 30G x 1/2" x 1/2"	1	L4		
	2aQ1901	Fairlead, half .37 x 5" 1.7"	2	BSS668		
28M/1012015	AGS2001/C1/66	Nut, stiff, 2 BA	1	—	C	
28W/9419475	SP15/C	Washer, 2 BA	1	—	C	
	8Q2249	FAIRLEAD ON BOMB ARCH 123", GROUP (Mod. 2318)	1	—		QP4/67
28D/1011023	A25/20C	Bolt, hex. hd., 2 BA	1	—	C	
	8cQ2249	Bonding, 30G x .5" x 15"	1	L17		
	8aQ2249	Fairlead, half	1	BS2572		
	8bQ2249	Fairlead, half	1	BS2572		
28M/1012015	AGS2001/C1/66	Nut, stiff	1	—	C	
28W/9419475	SP15/C	Washer	1	—	C	
	9Q1901	FAIRLEAD ON BOMB ARCH 123", GROUP	1	—		QP4/68 QP10/402
		Consisting of:—				
28D/1011021	A25/16C	Bolt, hex. hd., 2 BA	2	—	C	
	9aQ1901	Fairlead, half, 1/2" x 3/4" x 4-1/4"	2	BSS668		
28M/1012015	AGS2001/C1/66	Nut, stiff	2	—	C	
28W/9419475	SP15/C	Washer	2	—	C	
	5Q2249	FAIRLEAD ON BOMB ARCH 123", GROUP	1	—	MR	QP4/69 QP10/403
		Consisting of:—				
28D/9435710	A25/11C	Bolt, hex. hd., 2 BA	2	—	C	
	5bQ2249	Bonding, 30G x 1/2" x 6"	1	L16		
	5aQ2249	Fairlead, half	2	BS2572		
28M/1012015	AGS2001/C1/66	Nut, stiff	2	—	C	
28W/9419475	SP15/C	Washer	2	—	C	

SERVICES
HYDRAULIC

Ref. No.	Part No.	Description	No. off	Matl. Spec.	Cl. of St.	Plate and Illust'n No.
					M.R.	
		1 2 3 4				
		PIPE SERVICES IN BOMB BAY BETWEEN BOMB ARCHES, 123.015" AND 151.919" (Q2249) (Cont'd.)				
	9Q2249	FAIRLEAD ON BOMB ARCH 123", GROUP (Mod. 2318, Part B) Consisting of:—	1	—		QP4/70 QP10/404
28D/9419397	A25/12C	Bolt, hex. hd., 2 BA	1	—	C	
28D/9140649	A25/23C	Bolt	1	—	C	
	9cQ2249	Bonding, 30G x .50" x 11"	1	L17		
	9aQ2249	Fairlead, half, .5" x 8" x 3.4"	1	—		
	9bQ2249	Fairlead, .5" x 8" x 3.4"	1	—		
28M/1012015	AGS2001/C1/66	Nut, stiff	2	—	C	
28W/9419475	SP15/C	Washer	2	—	C	
	12Q2249	FAIRLEAD ON BOMB ARCH 123", GROUP (Mod. 2318) Consisting of:—	—	—		QP4/71
28D/1011021	A25/16C	Bolt	1	—	C	
	12cQ2249	Bonding, 30G x .5" x 7.0"	1	L17		
	12aQ2249	Fairlead, half, .5" x 4" x 1.6"	1	BS2572		
	12bQ2249	Fairlead, half, .5" x 1.6"	1	BS2572		
28M/1012015	AGS2001/C1/66	Nut, stiff	1	—	C	
28W/9419475	SP15/C	Washer	1	—	C	
	33Q2081	FAIRLEAD, GROUP	3	—	MR	QP4/72
		Consisting of:—				
28D/7002428	A25/8C	Bolt	—	—	C	
	33aQ2081	Fairlead, half	1	BSS668		
	33bQ2081	Fairlead, half	1	BSS668		

SERVICES
HYDRAULIC

Ref. No.	Part No.	Description	No. off	Matl. Spec.	Cl. of St.	Plate and Illust'n No.
					M.R.	
		1 2 3 4				
PIPING SERVICES IN BOMB BAY (Q2249) (Cont'd.)						
MOUNTING OF HYDRAULIC RESERVOIR ... (1Q1861) (Pre-Mod. 2321) (10Q1861) (Mod. 2321)						
Spares for:—						
1433643	196Q1866	Adaptor, special	1	—	C	QP9A/405
28F1038348	AGS1236/C	Cap, cone (Mod. 2321)	1	—	C	QP9A/405A
1510521	S69A/D/10/D 7Q1905	Cord, retaining (Mod. 2321)	1	Terylene	C	QP9A/405B
		Cover (Mod. 2321)	1	—	MR	QP9A/405C
Attachments for:—Cover Pt. No. 7Q1905						
28D/1007982	AS1248/C	Bolt, mush. hd., 2 BA	3	—	C	QP9A/405D
28W/9419402	SP13/C	Washer, 2 BA	3	—	C	
	2Q1861	Channel, reservoir mounting	2	—		QP9A/406
26FP/2453	1SS3859	Clip	1	—	C	
26FP/2721	2SS3859	Clip	6	—	C	
	4SS2859	Clip	3	—		
	AGS11254	Cross-piece	1	—	C	QP9A/406A
1510519	102SS3554	Cross-piece (Mod. 2321)	1	—	C	
10840	3Q1861	FAIRLEAD, GROUP	1	—	C	QP9A/407
Consisting of:—						
28D/9419397	A25/12C	Bolt, hex. hd., 2 BA	1	—	C	
	3cQ1861	Bonding, 30G x 1/2" x 9"	1	L16		
	3aQ1861	Fairlead, half	1	BSS668		
	36Q1861	Fairlead, half	1	BSS668		
28M/1012015	AGS2001/C1/66	Nut, stiff, 2 BA	1	—	C	
28W/9419475	SP13/C	Washer, 2 BA	1	—	C	
1510520	9Q1861	Gauze, 961, 75" dia. (Mod. 2321)	1	—	C	
	8Q1905	Lever, univalve (Mod. 2321)	1	—		QP9A/410
Attachments for:—Lever Pt. No. 8Q1905						
28D/1010029	A25/6B	Bolt, hex. hd., 4 BA	1	—	C	QP9A/410A
28M/1278189	AGS2001/B1	Nut, stiff, 4 BA	1	—	C	
28W/9419465	SP13/B	Washer, 4 BA	1	—	C	
		Piece, cross (see Page QP39)	Ref.	—		QP9A/410B
	103Q1866	PIPE, 3/8" o/d x 20G x 60" LONG, FROM N.R.V. RESERVOIR TO CROSS-PIECE, GROUP	1	L65	MR	QP9A/408
	108Q1866	PIPE, 1/4" o/d x 22G x 12" LONG, CROSS- PIECE TO ADAPTOR, GROUP	1	L65	MR	QP9A/409
	183Q1866	PIPE, 1/4" o/d x 22G x 12" LONG, N.R.V. RESTRICTOR AT RESERVOIR, GROUP (Mod. 2321)	1	L56	MR	QP9A/412
	184Q1866	PIPE, 1/4" o/d x 22G x 4" LONG, N.R.V. . TO RESERVOIR, GROUP	1	L56		QP9A/413
	117Q1866	PIPE, 3/8" o/d x 20G x 3.5" LONG, FROM N.R. VALVE TO P.R. VALVE (Pre-Mod. 2321)	1	—		QP9A/413A
	137Q1866	PIPE, 3/8" o/d x 20G x 3.5" LONG, N.R. VALVE TO CROSS PIECE (pre-Mod. 2321)	1	—		QP9A/473B

SERVICES
HYDRAULIC

Ref. No.	Part No.	Description	No. off	Matl. Spec.	Cl. of St.	Plate and Illust'n No.
					M.R.	
		1 2 3 4				
		MOUNTING OF HYDRAULIC RESEVOIR (1Q1861) (Pre-Mod. 2321) (10Q1861) (Mod. 2321) (Cont'd.)				
	191Q1866	PIPE, 3/8" o/d x 20G x 7" long, P.R. VALVE TO CROSS PIECE (Pre-Mod. 2321)	1	—	MR	QP9A/413C
	2Q1959	PIPE, 1/4" o/d x 22G x 30" LONG, CROSSPIECE TO P.R. VALVE, GROUP (Mod. 2321)	1	L56		QP9A/415
	3Q1959	PIPE, 3/16" o/d x 22G x 18" LONG, TEEPIECE TO P.R. VALVE, GROUP (Mod. 2321)	1	L56		QP9A/416
28P/1221260	SP90/E6	Pin, split	1	—	C	
	8Q1861	PLATE, UNIVALVE MOUNTING, GROUP (Mod. 2321)	1	—	—	QP9A/411
28F/9140970	AGS904/C DUNLOP	Sleeve, outer	1	—	C	QP9A/414
27VA/4625774	AC1071	Univalve (For spares details see AP.4515C, Vol. 3, Pt. 1, Chap.55) (Mod. 2321) Attachments for:—Univalve Pt. No. Dunlop AC1071	1	—	A	QP9A/422
28W/9419454	11Q1561 SP10/C	Bolt, special (Make from A25/1/2C)	3	—	—	QP9A/422A
		Washer, 2 BA	3	—	C	
27QM/ 1490322	DOWTY 1.03312.002	Unit, resevoir (Mod. 2326)	1	—	A	QP9A/417
27QM/ 4173867	DOWTY A6788Y	Valve, non-return	1	—	A	QP9A/418
27QM/ 4173542	DOWTY D5224Y	Valve, non-return (1 off Pre-Mod. 2321)	2	—	A	QP9A/419
27QM/ 4173527	DOWTY D446Y.Mk.C	Valve, non-return	1	—	A	QP9A/420
27VA/ 4625826	DUNLOP ACM17456	Valve, pressure reducing (Mod. 2321) (For Spares Details see AP.4515C, Vol 3, Chap. 55)	1	—	A	QP9A/421
		MOUNTING, VALVES AND PIPING, HYDRAULIC RESEVOIR AND E.P.P. NITRO- GEN PRESSURISATION SYSTEM (Q3884) (Mod. 2321) Spares for:—				
26FP/2249	4SS3863 8SS3863 1SS4485	Clip, pipe	28	—	C	
		Clip, pipe	1	—		
		Clip, identification (Fitted to pipe Pt. No. 9Q3884)	1	—		QP9A/782
26FP/6536	5Q/3884 28SS3557	Cold, terylene	1	—		
		Coupling, tee	1	—	C	QP9A/783
	6Q3884	PIPE, P.M. VALVE TO TEE-PIECE, 1/4" o/d x 22G x 2' 0" LONG, GROUP	1	L56		QP9A/784
	7Q3884	PIPE, TEE-PIECE TO TEE-PIECE, 1/4" o/d x 22G x 3' 0" LONG, GROUP	1	L56		QP9A/785

SERVICES
HYDRAULIC

Ref. No.	Part No.	Description	No. off	Matl. Spec.	Cl. of St.	Plate and Illust'n No.
					M.R.	
		1 2 3 4				
		MOUNTING, VALVES AND PIPING				
		HYDRAULIC RESERVOIR AND E.P.P.				
		NITROGEN PRESSURISATION SYSTEM				
		(Q3884) (Mod. 2321) (Cont'd.)				
	8Q3884	PIPE, TEE-PIECE TO P.R. VALVE, 3/8"	1	—		QP9A/786
		o/d x 20G x 3' 0" LONG, GROUP				
	10Q3884	PIPE, UNIVALVE TO CROSS-PIECE, 1/4"	1	—		QP9A/787
		o/d x 22G x 2' 00" LONG, GROUP				
	12Q3884	PIPE, P.R. VALVE TO TEST POINT, 3/8"	1	—		QP9A/788
		o/d x 20G, GROUP				
	9Q3884	PIPE, FLEXIBLE, TEST POINT TO	1	—		QP9A/789
		UNIVALVE, 3/8" o/d x 100' 0" LONG,				
		GROUP				
		Spares for:—				
		Adaptor, special	2	—		QP9A/790
	11Q3884					
	BELLS	Clip	2	—		QP9A/791
	BAS243/C1	Coupling, nut	1	—		QP9A/792
	AGS2111	Coupling, nut	1	—	C	QP9A/793
	AGS904/C	Pipe (Made from Griflex nylon tubing,	1	NF45		
	9aQ3884	3/8" o/d)				
		TEST POINT IN NITROGEN PRESSUR-				
		ISATION SYSTEM (1Q3889)				
		Spares for:—				
	2Q3889	Angle, attachment	1	L72		QP9A/794
	24aQ2110	Union, tee	1	—		QP9A/795
		Attachments for:—Union Pt. No.				
		24aQ2110				
	28D9133011	Bolt, hex. hd., 2 BA	2	—	C	QP9A/796
	28M/1012015	Nut, stiff, 2 BA	2	—	C	
	28W/9419475	Washer, 2 BA	2	—	C	
	28F/8011809	Union, body	1	—	C	QP9A/797
		Union, special straight	1	—		QP9A/798
		(Make form AGS1107/E)				
	28F/8014021	Washer, joint	3	—	C	QP9A/799
	28W/9435073	Washer, tab	1	—	C	QP9A/800
		DAMIC				
		DC22				
		Valve, charging	1	—		QP9A/801
	AS2808/5/175	Tube, distance	1	—		
	AS2808/5/050	Tube, distance	7	—	C	
	DUNLOP					
	ACM27518	Valve, pressure reducing	1	—	B	QP9A/802
	26TA/16590	(For Spares Details see				
	27VA/	AP.4515C, Vol.3, Pt. 1, Chap. 55)				
	1503303					

SERVICES
HYDRAULIC

Ref. No.	Part No.	Description				No. off	Matl. Spec.	Cl. of	Plate and Illust'n No.
		1	2	3	4			St. M.R.	
27QM/4154382	DOWTY C5655Y	MOUNTING OF HYDRAULIC FILTER ... UNIT, BOMB ARCH 123.015, PORT & STARBOARD (Q1881) (See AP4515C, Vol, 3, Pt. 1, Sect. 2, Chap. 55) Spares for:—				—	—		
		Unit, filter				1	—	A	QP10/423
	7Q1866	PIPE, FEED, 1/2" o/d x 18G x 4'.0" LONG, BULKHEAD UNION TO TEE-PIECE, GROUP				1	DTD503		QP9/424
	8Q1866	PIPE, FEED, 1/2" o/d x 18G x 4'.0" LONG, TEE-PIECE TO TEE-PIECE, GROUP				1	DTD503		QP9/425
	35Q1866	PIPE, FEED, 3/8" o/d x 20G x 21" LONG, CONTROL VALVE TO TEE-PIECE, GROUP				1	DTD503		QP9/426
	54Q1866	PIPE, RETURN, 1/2" o/d x 20G x 4'.0" ... LONG, BULKHEAD UNION TO TEE- PIECE, GROUP				1	L56		QP9/427
	55Q1866	PIPE, RETURN, 1/2" o/d x 20G x 5'.0" ... LONG, TEE-PIECE TO TEE-PIECE, GROUP				1	L56		QP9/428
	79Q1866	PIPE, RETURN, 3/8" o/d x 10G x 21" LONG, TEE-PIECE TO SELECTOR VALVE, GROUP				1	L56		QP9/429
	80Q1866	PIPE, RETURN, 1.0" o/d x 20G x 16" LONG, TEE-PIECE TO N.R. VALVE, GROUP				1	L56	MR	QP9/430
	101Q1866	PIPE, SUCTION, 3/4" o/d x 20G x 2'.9" .. LONG, TEE-PIECE TO TEE-PIECE, GROUP				1	L65	MR	QP9/431
	102Q1866	PIPE, SUCTION, 3/4" o/d x 20G x 5'.0" .. LONG, TEE-PIECE TO UNION, GROUP				1	L65	MR	QP9/432
	106Q1866	PIPE, SUCTION, 1.0" o/d x 20G x 12" ... LONG, TEE-PIECE TO RESERVOIR, GROUP				1	L56	MR	QP9/433

SERVICES
HYDRAULIC

Ref. No.	Part No.	Description	No. off	Mati. Spec.	Cl. of	Plate
					St. M.R.	and Illust'n No.
		1 2 3 4				
		PIPING SERVICES IN BOMB BAY, BETWEEN ARCHES 123.015" AND 151.919" (Q2249) (Cont'd)				
	112Q1866	PIPE, SUCTION, 3/4" o/d x 20G x 16" . . . LONG, TEE-PIECE TO UNION, GROUP	1	L56	MR	QP9/434
	132Q1866	PIPE, AIR CHARGING, 3/8" o/d x 20G x . 7'-6" LONG, CROSS-PIECE TO NON- RETURN VALVE, GROUP	1	L56	MR	QP9/435
	149Q1866	PIPE, AIR CHARGING, 1/4" o/d x 22G x . 7'-6" LONG, CROSS-PIECE TO UNION, GROUP	1	L56	MR	QP9/436
	158Q1866	PIPE, SUCTION, 3/4" o/d x 20G x 5'-10" . LONG, UNION TO FILTER, GROUP	1	L56	MR	QP9/437
	66Q2101	PIPE, SUCTION, 3/4" o/d x 20G x 2'-0" . . LONG, BULKHEAD UNION TO FILTER, PORT, GROUP	1	L56		QP9/438
	86Q2101	PIPE, SUCTION, 3/4" o/d x 20G x 2'-6" . . LONG, TEE-PIECE TO FILTER, PORT, GROUP	1	L56	MR	QP9/439
	127Q2101	PIPE, RETURN, 1/2" o/d x 20G x 5'-0" . . . LONG, TEE-PIECE TO UNION, GROUP	1	L56	MR	QP9/440
	146Q2101	PIPE, DELIVERY, 1/2" o/d x 18G, UNION TO UNION, GROUP (Mod. 729)	1	DTD503		QP9/441

VULCAN Mk. 2

SERVICES
HYDRAULIC

Page QP. 42A

Ref. No.	Part No.	Description	No. off	Matl. Spec.	Cl. of St.	Plate and Illust'n No.
					M.R.	
		1 2 3 4				
		PIPING SERVICES IN BOMB BAY, BETWEEN ARCHES 123.015" AND 151.919" (Q2249) (Cont'd)				
6784	170Q2101	PIPE, DELIVERY, 1/2" o/d x 18G, TEE- . . PIECE TO UNION, GROUP (Mod. 748)	1	DTD503	MR	QP9/444
	56Q1866	PIPE, RETURN, 1/2" o/d x 20G x 3'-0" . . . LONG, TEE-PIECE TO TEE-PIECE, GROUP (Pre-Mod. 748)	1	L56	C	
	171Q2101	PIPE, RETURN, 1/2" o/d x 20G x 3'-0" . . . LONG, TEE-PIECE TO TEE-PIECE, GROUP (Mod. 748)	1	L56	MR	QP9/445
	123Q1866	PIPE, RETURN, 1/2" o/d x 20G x 6'-11" . . LONG, UNION TO BULKHEAD UNION, GROUP (Pre-Mod. 748)	1	L56		
	172Q2101	PIPE, RETURN, 1/2" o/d x 20G x 6'-11" . . LONG, UNION TO BULKHEAD UNION, GROUP (Mod. 748)	1	L56	MR	QP9/446
	125Q1866	PIPE, AIR CHARGING, 3/8" o/d x 20G x . . 8'-4" LONG, CROSS-PIECE TO BULKHEAD UNION (Pre-Mod. 748)	1	L56	MR	
	173Q2101	PIPE, AIR CHARGING, 3/4" o/d x 20G x . . 8'-4" LONG, CROSS-PIECE TO BULKHEAD UNION (Mod. 748)	1	L56	MR	QP9/447
	148Q1866	PIPE, AIR CHARGING, 3/8" o/d x 20G . . . N.R. VALVE TO BULKHEAD UNION, GROUP (Pre-Mod. 748)	1	L56		
	174Q2101	PIPE, AIR CHARGING, 3/8" o/d x 20G . . . N.R. VALVE TO BULKHEAD UNION, GROUP (Mod. 748)	1	L56		QP9/448
13711	150Q1866	PIPE, AIR CHARGING, 1/4" o/d x 22G x . . 2'-6" LONG, UNION TO POWER PACK, GROUP (Pre-Mod. 748)	1	L56	C	
	175Q2101	PIPE, AIR CHARGING, 1/4" o/d x 22G x . . 2'-6" LONG, UNION TO POWER PACK, GROUP (Mod. 748)	1	L56		QP9/449

SERVICES
HYDRAULIC

Ref. No.	Part No.	Description	No. off	Matl. Spec.	Cl. of	Plate and Illust'n No.
					St. M.R.	
		1 2 3 4				
		PIPING SERVICES IN BOMB BAY, BETWEEN ARCHES 123.015" AND 151.919" (Q2249) (Cont'd)				
	166Q1866	PIPE, POWER PACK CHARGING, 3/8" o/d . . x 20G x 6'-0" LONG, UNION TO POWER PACK, GROUP (Pre-Mod. 748)	1	L56	MR	
	176Q2101	PIPE, POWER PACK CHARGING, 3/8" o/d x 20G x 6'-0" LONG UNION TO POWER PACK, GROUP (Mod. 748)	1	L56		QP9/450
11540	205Q1866	PIPE, DELIVERY, 1/2" o/d x 18G x 6'-8" LONG UNION TO BULKHEAD UNION, GROUP (Pre-Mod. 748)	1	DTD503	C	
1505349	177A2101	PIPE, DELIVERY, 1/2" o/d x 18G x 6'-8" LONG UNION TO BULKHEAD UNION, GROUP (Mod. 748)	1	DTD503	C	QP9/451
	142Q2101	PIPE, POWER PACK CHARGING, 3/8" . . . o/d x 20G, RESERVOIR TO UNION, GROUP (Pre-Mod. 748)	1	L56	MR	
	182Q2101	PIPE, POWER PACK CHARGING, 3/8" . . . o/d x 20G, RESERVOIR TO UNION, GROUP (Mod. 748)	1	L56	MR	QP9/452
	190Q2101	PIPE, SECTION, 3/4" o/d x 20G x 6'-0" LONG FILTER TO UNION, GROUP (Mod. 905)	1	L56	MR	QP9/453
3630	197Q1866	PIPE, SUCTION, 3/4" o/d x 20G x 3'-0" LONG UNION TO BANJO CONNECTION, GROUP (Pre-Mod. 905)	1	L56	C	
12509	195Q2101	PIPE, SUCTION, 3/4" o/d x 20G x 3'-0" LONG UNION TO BANJO CONNECTION, GROUP (Mod. 905)	1	L56	C	QP9/454
	141Q2210	PIPE, 3/8" o/d x 20G, SELECTOR VALVE TO CONNECTOR, GROUP (Mod. 2318, Part B)	1	DTD5016		QP4/73
	142Q2210	PIPE, 3/8" o/d x 20G, SELECTOR VALVE TO CONNECTOR, GROUP (Mod. 2318, Part B)	1	DTD5016		QP4/74
	143Q2210	PIPE, 3/8" o/d x 20G, UNION TO UNION . (Mod. 2318, Part B)	1	DTD5016		QP4/75

SERVICES
HYDRAULIC

Ref. No.	Part No.	Description	No. off	Mati. Spec.	Cl. of	Plate and Illust'n No.
					St. M.R.	
		1 2 3 4				
		PIPING SERVICES IN BOMB BAY, BETWEEN ARCHES 123.015" AND 151.919" (Q2249) (Cont'd)				
	144Q2210	PIPE, 3/8" o/d x 20G, UNION TO UNION, STARBOARD, GROUP (Mod. 2318, Part B)	1	DTD5016		QP4/76
	164Q2210	PIPE, 3/8" o/d x 20G, UNION TO UNION, PORT, GROUP (Mod. 2318, Part A)	1	DTD5016		QP4/77
	145Q2210	PIPE, 3/8" o/d x 20G, UNION TO UNION, PORT, GROUP (Mod. 2318, Part B)	1	DTD5016		QP4/78
	165Q2210	PIPE, 3/8" o/d x 20G, UNION TO UNION, PORT, GROUP (Mod. 2318, Part A)	1	DTD5016		QP4/79
	146Q2210	PIPE, 3/8" o/d x 20G, UNION TO UNION, PORT, GROUP (Mod. 2318, Part B)	1	DTD5016		QP4/80
	147Q2210	PIPE, 3/8" o/d x 20G, UNION TO SHUTTLE VALVE, GROUP (Mod. 2318)	1	DTD5016		QP4/81
	148Q2210	PIPE, 3/8" o/d x 20G, UNION TO SHUTTLE VALVE, GROUP (Mod. 2318)	1	DTD5016		QP4/82
	149Q2210	PIPE, 1/2" o/d x 18G, SHUTTLE VALVE . TO TEE-PIECE, GROUP (Mod. 2318)	1	DTD5016		QP4/83
	150Q2210	PIPE, 1/2" o/d x 18G, SHUTTLE VALVE . TO TEE-PIECE, GROUP (Mod. 2318)	1	DTD5016		QP4/84
	151Q2210	PIPE, 1/2" o/d x 18G, SHUTTLE VALVE . TO TEE-PIECE, GROUP	1	DTD5016		QP4/85
	152Q2210	PIPE, 1/2" o/d x 18G, SHUTTLE VALVE . TO TEE-PIECE, GROUP (Mod. 2318)	1	DTD5016		QP4/86
	153Q2210	PIPE, 3/8" o/d x 20G, SELECTOR VALVE TO TEE-PIECE, GROUP (Mod. 2318)	1	DTD5016		QP4/87
	154Q2210	PIPE, 3/8" o/d x 20G, SELECTOR VALVE TO TEE-PIECE, GROUP (Mod. 2318)	1	DTD5016		QP4/88

SERVICES
HYDRAULIC

Ref. No.	Part No.	Description	No. off	Matl. Spec.	Cl. of	Plate
					St. M.R.	and Illust'n No.
		1 2 3 4				
		PIPING SERVICES IN BOMB BAY, BETWEEN ARCHES 123.015" AND 151.919" (Q2249) (Cont'd)				
	155Q2210	PIPE, 3/8" o/d x 20G, SELECTOR VALVE TO TEE-PIECE, GROUP (Mod. 2318)	1	DTD5016		QP4/89
	156Q2210	PIPE, 3/8" o/d x 20G, SELECTOR VALVE TO TEE-PIECE, GROUP (Mod. 2318)	1	DTD5016		QP4/90
	329Q2101	PIPE, 3/8" o/d x 20G, SELECTOR VALVE TO TEE-PIECE, GROUP (Mod. 2318)	1	DTD5016		QP4/91
	330Q2101	PIPE, 3/8" o/d x 20G, SELECTOR VALVE TO TEE-PIECE, GROUP (Mod. 2318)	1	DTD5016		QP4/92
	35Q1866	PIPE, 3/8" o/d x 20G, CONTROL VALVE . TO TEE-PIECE, GROUP	1	DTD503		QP4/93
	79Q1866	PIPE, 3/8" o/d x 20G, TEE-PIECE	1	L56		QP4/94
28F/9428455	AGS1186/D	Seal	1	-	C	QP4/95
27QM/4173549	DOWTY D7313.Y	Valve, non-return	1	-	A	QP4/96
27QM/4173628	DOWTY 1.00112.004	Valve, selector	1	-	A	QP4/97
	DOWTY 1.00125.015	Valve, selector	1	-		QP4/98
27QM/1490825	DOWTY 1.03770.001	Valve, shuttle (Mod. 2318)	1	-	A	QP4/99

VULCAN Mk. 2

SERVICES
HYDRAULIC

Page QP. 43

Ref. No.	Part No.	Description	No. off	Matl. Spec.	Cl. of	Plate and Illust'n No.
					St. M.R.	
		1 2 3 4				
		PIPING SERVICES IN ENGINE BAYS, PORT AND STARBOARD (Q2081, Q2082) (Mod. 905) (Q3866, Q3867, Q3868) (Mod. 2261 Part A Series 200 Engines) (Q3869, Q3870, Q3871) (Mod. 2261 Part B Series 300 Engines) Spares for:—				
27Q/71341	DOWTY 1.00466.004	Accumulator, hydraulic (Mod. 2278)	3	—	A	QP12/458
	27Q2081	Adaptor, 3/8" BSP	1	DTD1306	MR	QP10/459
	28Q2081	Adaptor, 3/8" BSP	1	DTD1306	MR	QP10/460
	29Q2081	Adaptor, 3/4" BSP	1	DTD1306	MR	QP10/461
	55S3568	Adaptor, 1/2" BSP	8	—	MR	QP10/462
	56SS3568	Adaptor, 3/4" BSP	1	—	MR	QP10/463
3297	59SS3568	Adaptor, 3/8" BSP	2	—	C	QP10/464
	11SS3555	Adaptor, 3/8" BSP	1	—	MR	QP10/465
	12SS3555	Adaptor, 3/8" BSP	1	—	MR	QP10/466
	78SS3555	Adaptor, 1/2" BSP	2	—	MR	QP10/467
20311	3SS4054	Adaptor, 3/8" BSP	1	DTD423	C	QP10/468
1510328	4SS4054	Adaptor, 1/2" BSP	2	DTD423	C	QP10/469
20325	51SS3567	Banjo, special, 1/2" BSP	1	DTD130	C	QP10/470
20333	67SS3567	Banjo, special, 1/2" BSP	1	—	C	QP10/471
	SS5767/C	Banjo, cone ended (Mod. 2261 Part A)	3	—	MR	QP10/797
		(Mod. 2261 Part A)	3	—	C	
26TA/5448859	SS5767/D	Banjo, cone ended (Mod. 2261 Part A)	3	—	C	QP10/798
		(Mod. 2261 Part B)	3	—	C	
	37Q2081	Block, clamp, half at flexible pipes	6	BS2772	MR	QP12/472
28F/9433229	AGS1135/C	Bolt, banjo (Mod. 2261, Part A)	3	—	C	QP10/799
		(Mod. 2261 Part B)	3	—	C	
28F/9423231	AGS1135/D	Bolt, banjo (Mod. 2261, Part A)	3	—	C	QP10/800
		(Mod. 2261 Part B)	3	—	C	
	67SS3559	Bolt, banjo (Pre-Mod. 905)	1	—		
	69SS3559	Bolt, banjo (Mod. 905)	1	—	MR	
20319	24Q2081	Bracket, coupling mounting, port	1	L72	C	QP10/473
20331	20Q2082	Bracket, coupling mounting, starboard	1	—	C	QP10/474
20330	21Q2082	CHANNEL, SPACING, GROUP	3	—	C	QP12/475
20329	19SS2340	Clip, flexible pipes to pumps	3	—	C	QP12/476
28F/1036842	AGS1107/M	Cone, union reducing (Mod. 2261 Part A)	3	—	C	
		(Mod. 2261 Part B)	3	—	C	
	AVERY AVA50/B	COUPLING, 1/4" GROUP	2	—		QP10/477
	AVERY AVA50/F	COUPLING, 3/4" GROUP	1	—		QP10/478
	AVERY AVA51/B	COUPLING, 1/4" GROUP	1	—		QP10/479
	AVERY AVA51/F	COUPLING, 3/4" GROUP	1	—		QP10/480
	AVERY AVA.52/C	COUPLING, 3/8" GROUP	1	—		QP10/481

SERVICES
HYDRAULIC

Ref. No.	Part No.	Description	No. off	Matl. Spec.	Cl. of	Plate and Illust'n No.
					St. M.R.	
		1 2 3 4				
		PIPING SERVICES IN ENGINE BAYS, PORT AND STARBOARD (Q2081, Q2082) (Mod. 905) (Q3866, Q3867, Q3868) (Mod. 2261 Part A Series 200 Engines) (Q3869, Q3870, Q3871) (Mod. 2261 Part B Series 300 Engines) (Cont'd)				
	AVERY AVA53/C	COUPLING, 3/8", GROUP	1	—		QP10/482
	25Q2081	FAIRLEAD, BETWEEN RIB 113.3 AND .. RIB 162.5, GROUP Consisting of:—	3	—	MR	QP10/483
	25bQ2081	Bonding, 4.5" x .5" x 30G	1	L56		
	25aQ2081	Fairlead, half	2	BS2772		
	33Q2081	FAIRLEAD, BETWEEN RIB 113.3 AND .. RIB 162.5, GROUP Consisting of:—	5	—	MR	QP10/484
	33bQ2081	Bonding, 5" x 5" x 30G	1	—		
	33aQ2081	Fairlead, half	2	BS2772		
	11Q1879	FAIRLEAD, ON RIB 63.5, GROUP	4	—	MR	QP10/485
		Consisting of:—				
28D/9140645	A25/10C	Bolt, hex. hd., 2 BA	1	—	C	
	11bQ1879	Bonding, 4.9" x .5" x 30G	1	L16		
	11aQ1879	Fairlead, half, 2-1/8" x 5/8" x 1/2"	2	BS2772		
28M/1012015	AGS2001/C1/66	Nut, stiff, 2 BA	1	—	C	
28W/9419475	SP15/C	Washer, 2 BA	1	—	C	
	28Q1879	FAIRLEAD, BETWEEN FORWARD	1	—		QP10/486
		ENGINE BULKHEAD AND FRONT SPAR, GROUP Consisting of:—				
28D/9133014	A25/13C	Bolt, hex. hd.	1	—	C	
	11bQ1879	Bonding, .5" wide x 30G	1	—		
	11aQ1879	Fairlead, half, 3" x 5" x .5"	2	BS2772		
28M/1012015	AGS2001/C1/66	Nut, stiff, 2 BA	1	—	C	
	28aQ1879	Piece, distance, 5/16" o/d x 17G x 5/16"	1	—		
28W/9419475	SP15/C	Washer	1	—	C	
	18Q2081	FAIRLEAD, GROUP (Mod. 2261 Part A) ..	4	—	MR	
		Consisting of:—				
	18dQ2081	Angle (Make from 183SS1793)	2	—		
28D/9140644	A15/9C	Bolt, hex. hd., 2 BA	2	—	C	
28D/9133013	A25/5C	Bolt, hex. hd., 2 BA	4	—	C	
	18cQ2081	Bonding	2	L16		
	18aQ2081	Fairlead, half	2	BSS668		
	18bQ2081	Fairlead, half	2	BSS668		
28M/1012015	AGS2001/C1/66	Nut, stiff, 2 BA	4	—	C	
28M/9433473	AGS2002/C/1	Nut, stiff, 2 BA	2	—	C	
28W/9419475	SP15/C	Washer, 2 BA	6	—	C	

VULCAN HL. 3

SERVICES
HYDRAULIC

Page QP. 45

Ref. No.	Part No.	Description	No. off	Matl. Spec.	Cl. of St.	Plate and Illust'n No.
					M.R.	
		1 2 2 4				
		PIPING SERVICES IN ENGINE BAYS, PORT AND STARBOARD (Q2081, Q2082) (Mod. 905) (Q3866, Q3867, Q3868) (Mod. 2261 Part A Series 200 Engines) (Q3869, Q3870, Q3871) (Mod. 2261 Part B Series 300 Engines) (cont'd.)				
	27Q1879	FAIRLEAD, AFT OF FRONT SPAR, GROUP	1			QP10/487
		Consisting of:—				
28D/9140649	A25/23C	Bolt, hex. hd., 2 BA	1	—	C	
	11bQ1879	Bonding, .5" wide x 30G	1	L16		
	11aQ1879	Fairlead, half, 2" x 1/2" x 1/2"	2	BS2772		
28M/1012015	AGS2001/C1/66	Nut, stiff, 2 BA	1	—	C	
	27aQ1879	Piece, distance, 5/16" o/d x 17G x 1.25"	1	—		
28W/9419475	SP15/C	Washer, 2 BA	1	—	C	
	2Q2082	FAIRLEAD AT RIB 162.5, GROUP	1	—	MR	QP10/488
		Consisting of:—				
26FP/13942	SS3867	Angle	2	—	C	
28D/9435710	A25/11C	Bolt, hex. hd., 2 BA	1	—	C	
28D/9133013	A25/5C	Bolt, hex. hd., 2 BA	1	—	C	
	2cQ2082	Bonding, .5" wide x 30G	1	L16		
	2aQ2082	Fairlead, half, 2.52" x .6" x .5"	1	BS2772		
	2bQ2082	Fairlead, half, 1.98" x .5" x .5"	1	BS2772		
28M/1012015	AGS2001/C1/66	Nut, stiff, 2 BA	2	—	C	
28W/9419475	SP15/C	Washer, 2 BA	2	—	C	
	2Q1901	FAIRLEAD ON RIB 63.5, GROUP	6	—	MR	QP10/489
		Consisting of:—				
28D/1011019	A25/8C	Bolt, hex. hd., 2 BA	1	—	C	
	2bQ1901	Bonding, .5" wide x 30G	1	L16		
	2aQ1901	Fairlead, half, 1.7" x .5" x .37"	2	BS2772		
28M/1012015	AGS2001/C1/66	Nut, stiff, 2 BA	1	—	C	
28W/9419475	SP15/C	Washer, 2 BA	1	—	C	
	20aQ2081	Fairlead, half, 3 pipe	4	BS2772		
	22aQ2081	Fairlead, half, 2 pipe	4	BS2772		
	21aQ2081	Fairlead, half, 4 pipe	12	BS2772		
	12aQ2082	Fairlead, half, 2 pipe	8	BS2772	MR	
	33Q2081	FAIRLEAD, GROUP (Mod. 2261 Part B) . .	2	—	MR	
		Consisting of:—				
28D/1011019	A25/8C	Bolt, hex. hd., 2 BA	2	—	C	
	33bQ2081	Bonding	2	L16		
	33aQ2081	Fairlead, half	2	BSS668		
28W/9419475	SP15/C	Washer, 2 BA	2	—	C	

SERVICES
HYDRAULIC

Ref. No.	Part No.	Description	No. off	Mati. Spec.	Cl. of	Plate and Illust'n No.
					St. M.R.	
		1 2 3 4				
		PIPING SERVICES IN ENGINE BAYS, PORT AND STARBOARD (Q2081, Q2082) (Mod. 905) (Q3866, Q3867, Q3868) (Mod. 2261 Part A Series 200 Engines) (Q3869, Q3870, Q3871) (Mod. 2261 Part B Series 300 Engines) (Cont'd)				
27M/1500263	1Q3863 or LOCKHEED AIR.46510	FILTER HYDRAULIC, GROUP (Mod. 2261) (Part A & B)	1	—		QP10/801
		FILTER, HYDRAULIC, GROUP (Mod. 2261 Part A) (Mod. 2261 Part B) Spares for:—	3 3			QP10/801
	27M/1500264 27M/1500266 27M/1500265	AIR119182 AIR119184 AIR119186	Element Ring, back Seal	1 1 1	— — —	C C C
28D/1212308 28W/9418921	A25/24E 3Q3865 SP13/E	Attachments for:—Filter Part No. 1Q3863 Bolt, hex. hd., 1/4" BSF Spacer (Make from 30B9611405) Washer, 1/4"	2 2 2	— — —	C C	QP10/802 QP10/803
		HYDRAULIC PUMP CONNECTIONS IN .. ENGINE BAYS 1, 2 AND 3 (Q2222) Spares for:—	—	—		
37J/6082423	BRISTOL B170114	PUMP, HYDRAULIC, GROUP Spares for:—	1	—		QP12/490
	DOWTY 1.00500.030	Pump, hydraulic (Mod. 2267) (Pre-Mod. 2384)	1	—	A	QP12/491
37J/6092159	DOWTY 1.00500.044	Pump, hydraulic (Mod. 2384)	1	—	A	
		MOUNTING OF ACCUMULATOR IN ENGINE BAYS, 1, 2 AND 3 (Q3683) (Pre-Mod. 2278) Spares for:—	—	—		
20321	131SS3567 6Q3683	Banjo, body Block, connection	1 1	L83 L83	MR MR	QP12/492 QP12/493
	2Q3683	BRACKET, MOUNTING, GROUP	1	—	C	QP12/494
20322 20324	3Q3683 5Q3683	Clamp, half Clamp, half	1 1	L83 L83	C C	QP12/495 QP12/496
	20323	4Q3675	CLIP, HALF, GROUP	1	—	QP12/497
1433428 6A/4320 13256	5BJ/SS4234 —	Clip, half Gauge, pressure	1 1	— —	C C	QP12/498 QP12/499
	221SS3557 H.P. COMPONENTS A58	Tee-piece	1	S94	C	
28Y/15486		Valve, air charge	1	—	C	QP12/500

VULCAN Mk. 2

SERVICES
HYDRAULIC

Page QP. 47

Ref. No.	Part No.	Description	No. off	Matl. Spec.	Cl. of	Plate and Illust'n No.
					St. M.R.	
		1 2 3 4				
		PIPING SERVICES IN ENGINE BAYS, PORT AND STARBOARD (Q2081, Q2082) (cont'd.)				
		PIPES, ASSOCIATED WITH ACCUMULATOR IN ENGINE BAYS 1, 2 AND 3 (Q3685) (Pre-Mod. 2278)				
		Spares for:—				
	3SS4633	Elbow, union, 90°	2	—	MR	QP12/501
13786	211Q2101	PIPE, AIR, 3/16" o/d x 22G x 9" LONG, VALVE TO PRESS. GAUGE, GROUP	1	DTD503	C	QP12/502
	DUNLOP G2/W14/622/47/47/14.5"	Pipe, flexible, accumulator to charge accumulator	1	—	MR	QP12/503
27VA/4625421	DUNLOP 6/W2/502/47/47/19"	Pipe, flexible accumulator to pumps	1	—	C	QP12/504
	DUNLOP 6/W2/502/39/47/41.5"	Pipe, flexible, feed	1	—	MR	
	DUNLOP 6/W2/502/39/47/54.0"	Pipe, flexible feed	3	—	MR	AP12/505
	DUNLOP 4/W2/501/48/59/55.0"	Pipe, flexible, return	3	—	MR	QP12/506
	DUNLOP 12/W2/501/39/50/57.0"	Pipe, flexible, suction	3	—	MR	QP12/507
	25Q1866	PIPE, AIR PRESSURE, 3/16" o/d x 22G x .36" LONG, TEE-PIECE TO UNION, PORT, GROUP	1	DTD323	MR	QP9/508
	198Q1866	PIPE, FEED, 1/2" o/d x 18G x 21" LONG, TEE-PIECE TO BULKHEAD UNION, PORT, GROUP	1	DTD503	MR	QP9/509
	199Q1866	PIPE, FEED, 1/2" o/d x 18G x 48" LONG, BULKHEAD UNION TO TEE-PIECE, PORT, GROUP	1	DTD503	MR	QP9/510
	200Q1866	PIPE, RETURN, 1/2" o/d x 20G x 70" LONG, BULKHEAD UNION TO BULKHEAD UNION, PORT, GROUP	1	L56	MR	QP9/E 1
6723	15Q2101	PIPE, RES. AIR CHARGING, 5/8" o/d x . . . 20G x 24" LONG, ADAPTOR TO N.R.V. TEE-PIECE, PORT, GROUP	1	L56	C	QP9/512

SERVICES
HYDRAULIC

Ref. No.	Part No.	Description	No. off	Matl. Spec.	Cl. of St.	Plate and Illust'n No.
					M.R.	
		1 2 3 4				
		PIPING SERVICES IN ENGINE BAYS, PORT AND STARBOARD (Q2081, Q2082) (Cont'd)				
	39Q2101	PIPE, RETURN, 1/2" o/d x 20G x 36" LONG, UNION TO UNION, PORT, GROUP	1	L56	MR	QP9/513
6726	42Q2101	PIPE, SUCTION, 3/4" o/d x 20G x 18" . . . LONG, TEE PIECE TO UNION, PORT, GROUP (Pre-Mod. 905)	1	L56	C	
	149Q2101	PIPE, SUCTION, 3/4" o/d x 20G x 18" . . . LONG, TEE-PIECE TO UNION, PORT GROUP (Mod. 905)	1	L56	MR	QP9/514
6716	33Q2101	PIPE, SUCTION, 3/4" o/d x 20G x 60" . . . LONG, ADAPTOR TO ADAPTOR, PORT, GROUP (Pre-Mod. 905)	1	L56	C	
	150Q2101	PIPE, SUCTION, 3/4" o/d x 20G x 60" . . . LONG, ADAPTOR TO ADAPTOR, PORT, GROUP (Mod. 905)	1	L56	MR	QP9/515
6720	31Q2101	PIPE, RETURN, 1/2" o/d x 20G x 48" LONG, ADAPTOR TO TEE-PIECE, PORT, GROUP (Pre-Mod. 905)	1	L56	C	
	154Q2101	PIPE, RETURN, 1/2" o/d x 20G x 48" LONG, ADAPTOR TO TEE PIECE, PORT, GROUP (Mod. 905)	1	L56	MR	QP9/516
	30Q2101	PIPE, RETURN, 1/2" o/d x 20G x 18" LONG, TEE PIECE TO ADAPTOR, PORT, GROUP (Pre-Mod. 905)	1	L56		
	155Q2101	PIPE, RETURN, 1/2" o/d x 20G x 18" LONG, TEE-PIECE TO ADAPTOR, PORT, GROUP (Mod. 905)	1	L56	MR	QP9/517
6718	21Q2101	PIPE, RES. AIR PRESSURE, 3/8" o/d x . . 20G x 48" LONG, ADAPTOR TO TEE-PIECE, PORT, GROUP (Pre-Mod. 905)	1	L56	C	
	157Q2101	PIPE, RES. AIR PRESSURE, 3/8" o/d x . . 20G x 48" LONG, ADAPTOR TO TEE PIECE, PORT, GROUP (Mod. 905)	1	L56	MR	QP9/518

VULCAN No. 2

SERVICES
HYDRAULIC

Page QP. 48A

Ref. No.	Part No.	Description	No. off	Matl. Spec.	Cl. of St.	Plate and Illust'n No.
					M.R.	
		1 2 3 4				
		PIPING SERVICES IN ENGINE BAYS, PORT AND STARBOARD (Q2081, Q2082) (Cont'd.)				
	16Q2101	PIPE, RES. AIR PRESSURE 3/8" o/d x 20G x 18" LONG, TEE-PIECE TO ADAPTOR, PORT, GROUP (Pre-Mod. 905)	1	L56	MR	
	158Q2101	PIPE, RES. AIR PRESSURE, 3/8" o/d x 20G x 18" LONG, TEE-PIECE TO ADAPTOR, PORT, GROUP (Pre-Mod. 905)	1	L56	MR	QP9/519
	144Q2101	PIPE, RETURN, 1/2" o/d x 20G x 78" LONG, ADAPTOR TO UNION, PORT, GROUP (Pre-Mod. 905)		L56	MR	
	161Q2101	PIPE, RETURN, 1/2" o/d x 20G x 78" LONG, ADAPTOR TO UNION, PORT, GROUP (Mod. 905)	1	L56	MR	QP9/520
8754	111Q2101	PIPE, RETURN, 3/8" o/d x 20G x 78" LONG, TEE-PIECE TO ADAPTOR, PORT, GROUP (Pre-Mod. 905)	1	L56	C	
	162Q2101	PIPE, RETURN, 3/8" o/d x 20G x 78" LONG, TEE-PIECE TO ADAPTOR, PORT, GROUP (Mod. 905)	1	L56	MR	QP9/521
6728	26Q2101	PIPE, RETURN, 1/2" o/d x 20G x 18" LONG, TEE-PIECE TO ADAPTOR, PORT GROUP (Pre-Mod. 905)	1	L56	C	
	16Q2101	PIPE, RETURN, 1/2" o/d x 20G x 18" LONG, TEE-PIECE TO ADAPTOR, PORT, GROUP (Mod. 905)	1	L56	MR	QP9/522
6725	29Q2101	PIECE, RETURN, 1/2" o/d x 20G x 78" LONG, ADAPTOR TO TEE-PIECE, PORT, GROUP (Pre-Mod. 905)	1	L56	C	
	167Q2101	PIPE, RETURN, 1/2" o/d x 20G x 78" LONG, ADAPTOR TO TEE-PIECE, PORT, GROUP (Mod. 905)	1	L56	MR	QP9/523
	114Q2101	PIPE, SUCTION, 3/4" o/d x 20G x 48" LONG, ADAPTOR TO UNION, PORT, GROUP (Pre-Mod. 905)	1	L56	MR	

SERVICES
HYDRAULIC

Ref. No.	Part No.	Description	No. off	Matl. Spec.	Cl. of St.	Plate and Illust'n No.
					M.R.	
		1 2 3 4				
		PIPING SERVICES IN ENGINE BAYS, PORT AND STARBOARD (Q2081, Q2082) (Cont'd)				
	168Q2101	PIPE, SUCTION, 3/4" o/d x 20G x 48" ... LONG, ADAPTOR TO UNION, PORT, GROUP (Mod. 905)	1	L56	MR	QP9/524
	113Q2101	PIPE, SUCTION, 3/4" o/d x 20G x 24" ... LONG, UNION TO ADAPTOR, PORT, GROUP (Pre-Mod. 905)	1	L56	MR	
	169Q2101	PIPE, SUCTION, 3/4" o/d x 20G x 24" ... LONG, UNION TO ADAPTOR, PORT, GROUP (Mod. 905)	1	L56	MR	QP9/525
6741	50Q2101	PIPE, RETURN, 1/2" o/d x 20G x 60" LONG, ADAPTOR TO TEE-PIECE, STARBOARD, GROUP (Pre-Mod. 905)	1	L56	C	
	187Q2101	PIPE, RETURN, 1/2" o/d x 20G x 60" LONG, ADAPTOR TO TEE-PIECE, STARBOARD, GROUP (Mod. 905)	1	L56	MR	QP9/526
6717	67Q2101	PIPE, SUCTION, 3/4" o/d x 20G x 48" ... LONG, ADAPTOR TO UNION, PORT, GROUP (Pre-Mod. 905)	1	L56	C	
	191Q2101	PIPE, SUCTION, 3/4" o/d x 20G x 48" ... LONG, ADAPTOR TO UNION, PORT, GROUP (Mod. 905)	1	L56	MR	QP9/527
6750	72Q2101	PIPE, POWER PACK OVERFLOW 3/8" o/d x 20G x 60" LONG, ADAPTOR TO ADAPTOR, STARBOARD, GROUP (Pre-Mod. 905)	1	L56	C	
	196Q2101	PIPE, POWER PACK OVERFLOW 3/8" o/d x 20G x 60" LONG, ADAPTOR TO ADAPTOR, STARBOARD, GROUP (Mod. 905)	1	L56	MR	QP9/528
	164Q1866	PIPE, POWER PACK OVERFLOW 3/8" x 20G x 24" LONG, GROUP	1	L56	MR	
11935	193Q2101	PIPE, FIXED, 1/2" o/d x 18G x 90" LONG, ADAPTOR TO ADAPTOR, STARBOARD, GROUP (Pre-Mod. 905)	1	DTD503	C	
	209Q2101	PIPE, FIXED, 1/2" o/d x 18G x 90" LONG, ADAPTOR TO ADAPTOR, STARBOARD, GROUP (Mod. 905)	1	DTD503	MR	QP9/529

SERVICES
HYDRAULIC

Ref. No.	Part No.	Description	No. off	Matl. Spec.	Cl. of	Plate and Illust'n No.
					St. M.R.	
		1 2 3 4				
		PIPING SERVICES IN ENGINE BAYS, PORT AND STARBOARD (Q2081, Q2802) (Mod. 905) (Q3866, Q3867, Q3868) (Mod. 2261, PART A, SERIES 200 ENGINES) (Q8369, Q8370, Q8371) (Mod. 2261, PART B, SERIES 300 ENGINES) (Cont'd)				
	194Q2101	PIPE, RETURN, 1/2" o/d x 18G x 90" LONG, ADAPTOR TO ADAPTOR, STARBOARD, GROUP (Pre-Mod. 905)	1	L56	MR	
	210Q2101	PIPE, RETURN, 1/2" o/d x 18G x 90" LONG, ADAPTOR TO ADAPTOR, STARBOARD, GROUP (Mod. 905)	1	L56	MR	QP9/530
11934	192Q2101	PIPE, FEED, 1/2" o/d x 18G x 63" LONG, ADAPTOR TO N.R. VALVE TEE PIECE, STARBOARD, GROUP (Pre-Mod. 905)	1	DTD503	C	
	212Q2101	PIPE, FEED, 1/2" o/d x 18G x 63" LONG, ADAPTOR TO N.R. VALVE TEE-PIECE, STARBOARD, GROUP (Mod. 905)	1	DTD503	MR	QP9/531
1510418	302Q2101	PIPE, FEED, 3/8" o/d x 20G x 90" LONG, ADAPTOR TO FILTER, STARBOARD, GROUP (Mod. 2261 PART A)	1	DTD5016	C	QP9/782
1510419	303Q2101	PIPE, FEED, 1/2" o/d x 18G x 18" LONG, FILTER TO REDUCING UNION, STARBOARD, GROUP (Mod. 2261 PART A)	1	DTD5016	C	QP9/783
1510420	304Q2101	PIPE, FEED, 3/8" o/d x 20G x 72" LONG, REDUCING UNION TO UNION, STARBOARD, GROUP (Mod. 2261, PART A)	1	DTD5016	C	QP9/784
	305Q2101	PIPE, FEED, 3/8" o/d x 20G x 84" LONG, ADAPTOR TO REDUCING UNION, STARBOARD, GROUP (Mod. 2261, PART B)	1	DTD5016	MR	QP9/532
1510439	316Q2101	PIPE, FEED, 1/2" o/d x 18G x 18" LONG, REDUCING UNION TO FILTER, STARBOARD, GROUP (Mod. 2261, PART B)	1	DTD5016	C	QP9/785

SERVICES
HYDRAULIC

Ref. No.	Part No.	Description	No. off	Mati. Spec.	Cl. of St.	Plate and Illust'n No.
					M.R.	
		1 2 3 4				
		PIPING SERVICES IN ENGINE BAYS, PORT AND STARBOARD (Q2081, Q2802) (Mod. 905) (Q3866, Q3867, Q3868) (Mod. 2261, PART A, SERIES 200 ENGINES) (Q8369, Q8370, Q8371) (Mod. 2261, PART B, SERIES 300 ENGINES) (Cont'd)				
1510438	306Q2101	PIPE, FEED, 3/8" o/d x 20G x 72" LONG, FILTER TO UNION STARBOARD, GROUP (Mod. 2261, PART B)	1	DTD5016	C	QP9/786
6744	46Q2101	PIPE, FEED, 1/2" o/d x 18G x 18" LONG, N.R. VALVE TEE PIECE TO ADAPTOR, STARBOARD, GROUP (Pre-Mod. 905)	1	DTD503	C	
	214Q2101	PIPE, FEED, 1/2" o/d x 18G x 18" LONG, N.R. VALVE TEE PIECE TO ADAPTOR, STARBOARD, GROUP (Mod. 905)	1	DTD503	MR	QP9/533
	25Q2101	PIPE, FEED, 1/2" o/d x 18G x 42" LONG, ADAPTOR TO N.R. VALVE TEE PIECE, PORT, GROUP (Pre-Mod. 905)	1	DTD503	MR	
	215Q2101	PIPE, FEED, 1/2" o/d x 18G x 42" LONG, ADAPTOR TO N.R. VALVE TEE PIECE, PORT, GROUP (Mod. 905)	1	DTD503	MR	QP9/534
	143Q2101	PIPE, FEED, 1/2" o/d x 18G x 72" LONG, ADAPTOR TO UNION, PORT, GROUP (Pre-Mod. 905)	1	DTD503	MR	
	216Q2101	PIPE, FEED, 1/2" o/d x 18G x 72" LONG, ADAPTOR TO UNION, PORT, GROUP (Mod. 905)	1	DTD503	MR	QP9/535
6722	24Q2101	PIPE, FEED, 1/2" o/d x 18G x 18" LONG, N.R. VALVE TEE PIECE TO ADAPTOR, PORT, GROUP (Pre-Mod. 905)	1	DTD503	C	
	217Q2101	PIPE, FEED, 1/2" o/d x 18G x 18" LONG, N.R. VALVE TEE PIECE TO ADAPTOR, PORT, GROUP	1	DTD503	MR	QP9/536

YULCAN Mk. 2

SERVICES
HYDRAULIC

Page QP. 49B

Ref. No.	Part No.	Description	No. off	Mati. Spec.	Cl. of	Plate and Illust'n No.
					St. M.R.	
		1 2 3 4				
		PIPING SERVICES IN ENGINE BAYS, PORT AND STARBOARD (Q2081, Q2802) (Mod. 905) (Q3866, Q3867, Q3868) (Mod. 2261, PART A, SERIES 200 ENGINES) (Q8369, Q8370, Q8371) (Mod. 2261, PART B, SERIES 300 ENGINES) (Cont'd)				
1510421	299Q2101	PIPE, FEED, 3/8" o/d x 20G x 60" LONG, ADAPTOR TO FILTER, PORT, GROUP (Mod. 2261, PART A)	1	DTD5016	C	QP9/787
1510422	300Q2101	PIPE, FEED, 1/2" o/d x 18G x 18" LONG, FILTER TO REDUCING UNION PORT, GROUP (Mod. 2261 PART A)	1	DTD5016	C	QP9/788
1510423	301Q2101	PIPE, FEED, 3/8" o/d x 20G x 102" LONG, REDUCING UNION TO TEE-PIECE, PORT, GROUP (Mod. 2261, PART B)	1	DTD5016	C	QP9/789
	218Q2101	PIPE, FEED, 3/8" o/d x 20G x 54" LONG, TEE-PIECE TO UNION, PORT, GROUP (Mod. 905)	1	DTD503	MR	QP9/537
1510427	307Q2101	PIPE, FEED, 3/8" o/d x 20G x 30" LONG, ADAPTOR TO FILTER, PORT, GROUP (Mod. 2261, PART A)	1	DTD5016	C	QP9/790
1510428	308Q2101	PIPE, FEED, 1/2" o/d x 18G x 18" LONG, FILTER TO REDUCING UNION, PORT, GROUP (Mod. 2261, PART A)	1	DTD5016	C	QP9/791
1510429	309Q2101	PIPE, FEED, 3/8" o/d x 20G x 7' 0" LONG, REDUCING UNION TO N.R. VALVE, PORT, GROUP (Mod. 2261, PART A)	1	DTD5016	C	QP9/792
6724	23Q2101	PIPE, FEED, 1/2" o/d x 18G x 78" LONG, ADAPTOR TO N.R. VALVE TEE-PIECE, PORT, GROUP (Pre-Mod. 905)	1	DTD503	C	
	219Q2101	PIPE, FEED, 1/2" o/d x 18G x 78" LONG, ADAPTOR TO N.R. VALVE TEE-PIECE, PORT, GROUP (Mod. 905)	1	DTD503	MR	QP9/538

SERVICES
HYDRAULIC

Ref. No.	Part No.	Description	No. off	Mati. Spec.	Cl. of St.	Plate and Illust'n No.
					M.R.	
		1 2 3 4				
		PIPING SERVICES IN ENGINE BAYS, PORT AND STARBOARD (Q2081, Q2802) (Mod. 905) (Q3866, Q2867, Q3868) (Mod. 2261, PART A, SERIES 200 ENGINES) (Q8369, Q8370, Q8371) (Mod. 2261, PART B, SERIES 300 ENGINES) (Cont'd)				
1510432	313Q2101	PIPE, FEED, 3/8" o/d x 20G x 30" LONG, ADAPTOR TO FILTER, PORT, GROUP (Mod. 2261, PART B)	1	DTD5016	C	QP9/539
	314Q2101	PIPE, FEED, 1/2" o/d x 18G x 18" LONG, FILTER TO REDUCING UNION, PORT, GROUP (Mod. 2261, PART B)	1	DTD5016	MR	QP9/793
12485	220Q2101	PIPE, FEED, 3/8" o/d x 22G, TEE-PIECE TO ADAPTOR, PORT, GROUP (Mod. 905) (Pre-Mod. 2261, PART B)	1	-	C	
	315Q2101	PIPE, FEED, 3/8" o/d x 20G x 30" LONG, REDUCING UNION TO TEE-PIECE, PORT, GROUP (Mod. 2261, PART B)	1	DTD5016	MR	QP9/794
	22Q2101	PIPE, FEED, 1/2" o/d x 18G x 18" LONG, TEE-PIECE TO ADAPTOR, PORT, GROUP (Pre-Mod. 905)	1	DTD503	MR	
	221Q2101	PIPE, FEED, 1/2" o/d x 18G x 18" LONG, TEE-PIECE TO ADAPTOR, PORT, GROUP (Mod. 905)	1	DTD503	MR	QP9/540
	223Q2101	PIPE, RETURN, 1/4" o/d x 22G x 60" LONG, TEE-PIECE TO UNION, STARBOARD, GROUP (Mod. 905)	1	L56	MR	QP9/541
	224Q2101	PIPE, FEED, 3/8" o/d x 29G x 60" LONG, N.R. VALVE TEE-PIECE TO UNION, STARBOARD, GROUP (Mod. 905)	1	DTD503	MR	QP9/542
6736	70Q2101	PIPE, RETURN, 1/4" o/d x 22G x 60" LONG, TEE-PIECE TO UNION, PORT, GROUP (Pre-Mod. 905)	1	L56	C	
	225Q2101	PIPE, RETURN, 1/4" o/d x 22G x 60" LONG, TEE-PIECE TO UNION, PORT, GROUP (Mod. 905)	1	L56	MR	QP9/543
6735	17Q2101	PIPE, RESERVOIR AIR CHARGE 1/4" o/d x 22G x 60" LONG, TEE-PIECE TO UNION, PORT, GROUP (Pre-Mod. 905)	1	L56	C	

VULCAN No. 2

SERVICES
HYDRAULIC

Page OP. 50A

Ref. No.	Part No.	Description	No. off	Matl. Spec.	Cl. of	Plate and Illust'n No.
					St. M.R.	
		1 2 3 4				
		PIPING SERVICES IN ENGINE BAYS, PORT AND STARBOARD (Q2081, Q2802) (Mod. 905) (Q3866, Q3867, Q3868) (Mod. 2261, PART A, SERIES 200 ENGINES) (Q8369, Q8370, Q8371) (Mod. 2261, PART B, SERIES 300 ENGINES) (Cont'd)				
	226Q2101	PIPE, RESERVOIR AIR CHARGE, 1/4" o/d x 22G x 60" LONG, TEE- PIECE TO UNION PORT, GROUP (Mod. 905)	1	L56	MR	QP9/544
	52Q2101	PIPE, AIR, 3/8" o/d x 20G x 72" LONG, TEE-PIECE TO ADAPTOR, STARBOARD, GROUP (Pre-Mod. 905)	1	L56		
	227Q2101	PIPE, AIR, 3/8" o/d x 20G x 72" LONG, TEE-PIECE TO ADAPTOR, STARBOARD, GROUP (Mod. 905)	1	L56	MR	QP9/545
6740	49Q2101	PIPE, RETURN, 1/2" o/d x 20G TEE- PIECE TO ADAPTOR, STARBOARD, GROUP (Pre-Mod. 905)	1	L56	C	
12502	230Q2101	PIPE, RETURN, 1/2" o/d x 20G x 18" LONG, TEE-PIECE TO ADAPTOR, STARBOARD, GROUP (Mod. 905)	1	L56	C	QP9/546
	36Q2101	PIPE, FEED, 1/2" o/d x 18G x 42" LONG, UNION TO BULKHEAD UNION, PORT, GROUP (Pre-Mod. 905)	1	DTD503	MR	
	231Q2101	PIPE, FEED, 1/2" o/d x 18G x 42" LONG, UNION TO BULKHEAD, UNION, PORT, GROUP (Mod. 905)	1	DTD503	MR	QP9/547
6743	44Q2101	PIPE, RETURN, 1/4" o/d x 22G x 48" LONG, UNION TO AVERY COUPLING, STARBOARD, GROUP (Pre-Mod. 905)	1	L56	C	
	232Q2101	PIPE, RETURN, 1/4" o/d x 22G x 48" LONG, UNION TO AVERY COUPLING, STARBOARD, GROUP (Mod. 905)	1	L56	MR	QP9/548

SERVICES
HYDRAULIC

Ref. No.	Part No.	Description	No. off	Matl. Spec.	Cl. of	Plate and Illust'n No.
					St. M.R.	
		1 2 3 4				
		PIPING SERVICES IN ENGINE BAYS, PORT AND STARBOARD (Q2081, Q2082) (Mod. 905) (Q3866, Q3867, Q3868) (Mod. 2261, Part A, Series 200 Engines) (Q3869, Q3870, Q3871) (Mod. 2261, Part B, Series 300 Engines) (cont'd.)				
6739	43Q2101	PIPE, SUCTION, 3/4" o/d x 20G, ADAPTOR TO AVERY COUPLING, STARBOARD, GROUP (Pre-Mod. 905)	1	L56	C	
	233Q2101	PIPE, SUCTION, 3/4" o/d x 20G x 66" . . . LONG, TEE-PIECE TO AVERY COUPLING, PORT, GROUP (Mod. 905)	1	DTD503	MR	QP9/549
1510424	312Q2101	PIPE, FEED, 3/8" o/d x 20G x 24" LONG, ADAPTOR TO FILTER, PORT, GROUP (Mod. 2261, Part B)	1	DTD5016	C	QP9/550
1510425	310Q2101	PIPE, FEED, 1/2" o/d x 18G x 18" LONG, FILTER TO REDUCING UNION, PORT, GROUP (Mod. 2261, Part B)	1	DTD5016	C	QP9/695
	311Q2101	PIPE, FEED, 3/8" o/d x 20G x 72" LONG, REDUCING UNION TO TEE-PIECE, PORT, GROUP (Mod. 2261, Part B)	1	DTD5016	MR	QP9/796
	235Q2101	PIPE, RETURN, 1/4" o/d x 22G x 72" . . . LONG, TEE-PIECE TO AVERY COUPLING, PORT, GROUP (Mod. 905)	1	L56	MR	QP9/551
	236Q2101	PIPE, RESERVOIR AIR CHARGE, 1/4" o/d x 22G x 72" LONG, TEE-PIECE TO CHARGING VALVE, PORT, GROUP (Mod. 905)	1	L56	MR	QP9/552
	18Q2101	PIPE, AIR, 3/8" o/d x 20G x 24" LONG, . . ADAPTOR TO N.R. VALVE, PORT, GROUP (Pre-Mod. 905)	1	L56		
	237Q2101	PIPE, AIR, 3/8" o/d x 20G x 24" LONG, . . ADAPTOR TO N.R. VALVE, PORT, GROUP (Mod. 905)	1	L56	MR	QP9/553

VULCAN Mk. 2

SERVICES
HYDRAULIC

Page QP. 50C

Ref. No.	Part No.	Description				No. off	Mati. Spec.	Cl. of St.	Plate and illust'n No.
		1	2	3	4			M.R.	
		PIPING SERVICES IN ENGINE BAYS, PORT AND STARBOARD (Q2081, Q2082) (Mod. 905) (Q3866, Q3867, Q3868) (Mod. 2261, Part A, Series 200 Engines) (Q3869, Q3871) (Mod. 2261, Part B, Series 300 Engines) (Cont'd.)							
6751	73Q2101	PIPE, POWER PACK OVERFLOW, 3/8" ... o/d x 20G, ADAPTOR TO ADAPTOR, STARBOARD, GROUP (Pre-Mod. 1892) (Series 201, 203 Engines)				1	L56	C	
	239Q2101	PIPE, POWER PACK OVERFLOW, 3/8" ... o/d x 20G, ADAPTOR TO ADAPTOR, STARBOARD, GROUP (Mod. 1892) (Series 202 Engines)				1	L56		
	197Q2101	PIPE, POWER PACK OVERFLOW, 3/8" ... o/d x 20G, ADAPTOR TO ADAPTOR, STARBOARD, GROUP (Pre-Mod. 1892) (Series 202 Engines)				1	L56	MR	
	240Q2101	PIPE, POWER PACK OVERFLOW, 3/8" ... o/d x 20G, ADAPTOR TO ADAPTOR, STARBOARD, GROUP (Mod. 1892) (Series 202 Engines)				1	L56		QP9/554
28F/7103505	AGS.1186/C	Seal, washer	(Mod. 2261, Part A)		3	—	C	QP10/804	
			(Mod. 2261, Part B)		3	—	C		
28F/9429455	AGS.1186/D	Seal, washer	(Mod. 2261, Part A)		3	—	C	QP10/805	
			(Mod. 2261, Part B)		3	—	C		
2881	108SS3557	Tee-piece			1	—	MR	QP10/555	
	111SS3557	Tee-piece			2	—	C	QP10/556	
27QM/ 4173549	DOWTY D7313Y	Valve, non-return			3	—	A	QP10/557	
4820-99- 4153922	DOWTY 1.00071.001	Valve, non-return			3	—	B	QP10/558	
28Y/9701165	H.P. COMPONENTS A58 Mk.2	Valve, charging			1	—	C	QP10/559	

VULCAN Mk. 2

SERVICES
HYDRAULIC

Page QP. 51

Ref. No.	Part No.	Description	No. off	Mati. Spec.	Cl. of St.	Plate and Illust'n No.
					M.R.	
		1 2 3 4				
	4Q1884	PIPING, SERVICES IN AIR INTAKE, PORT (Q2212) Spares for:— FAIRLEAD ON DIAPHRAGMS 27.0" AND 49.5" AND TRANSVERSE RIB. GROUP	3	—		QP10/560
28D/1011022	A25/18C 4cQ1884 4aQ1884 4bQ1884	Consisting of:— Bolt, hex. hd., 2 BA Bonding, 3/8" wide x 30G Fairlead, half, 4-5/8" x 1" x 3/8" Fairlead, half, 4-5/8" x 1" x 3/8"	2 1 1 1	— L59 BSS668 BSS668	C	
28M/1012015 28W/9419475	AGS2001/C1/66 SP15/C	Nut, stiff, 2 BA Washer, 2 BA	2 2	— —	C C	
	11Q1885	FAIRLEAD, ON BULKHEAD 75", GROUP	1	—		QP10/561
28D/9140644	A25/9C 11cQ1885 11aQ1885 11bQ1885	Consisting of:— Bolt, hex. hd., 2 BA Bonding, 1/2" wide x 30G Fairlead, half, 2" x 1/2" x 1/2" Fairlead, half, 2" x 1/2" x 1/2"	1 1 1 1	— L59 BSS668 BSS668	C	
28M/1012015 28W/9419475	AGS2001/C1/66 SP15/C	Nut, stiff, 2 BA Washer, 2 BA	1 1	— —	C C	
	13Q2212	FAIRLEAD, BETWEEN DIAPHRAGMS, 49.5" AND 93.75", GROUP	2	—		QP10/562
28D/9133014	A25/13C 13bQ2212 13aQ2212	Consisting of:— Bolt, hex. hd., 2 BA Bonding, 3/8" wide x 30G Fairlead, half, .375" x .65" x 4.83"	2 1 2	— L59 BSS668	C	
28M/1012015 28W/9419475	AGS.2001/C1/66 SP15/C	Nut, stiff, 2 BA Washer, 2 BA	2 2	— —	C C	
	194Q1866	PIPE, FEED, 1/2" o/d x 18G x 30" LONG, UNION AT FRONT SPAR TO UNION, GROUP	1	DTD503		QP9/563
1433492	195Q1866	PIPE, RETURN, 1/2" o/d x 20G x 36" LONG, UNION AT FRONT SPAR TO UNION, GROUP	1	L56	C	QP9/564
1433264	87Q2101	PIPE, FEED, 1/2" o/d x 18G x 90" LONG, UNION TO UNION, GROUP (Mod. 514)	1	DTD503	C	QP9/565
	88Q2101	PIPE, FEED, 1/2" o/d x 18G x 126" LONG, UNION TO BULKHEAD UNION, GROUP	1	DTD503	MR	QP9/566
1433263	89Q2101	PIPE, RETURN, 1/2" o/d x 20G x 90" LONG, UNION TO UNION, GROUP (Mod. 514)	1	L56	C	QP9/567
1433380	90Q2101	PIPE, RETURN, 1/2" o/d x 20G x 126" LONG, UNION TO BULKHEAD UNION, GROUP	1	L56	C	QP9/568

SERVICES
HYDRAULIC

Ref. No.	Part No.	Description	No. off	Matl. Spec.	Cl. of St.	Plate and Illust'n No.
					M.R.	
		1 2 3 4				
		PIPING, INSTALLATION AND PRESSURE TRANSMITTER (Q1885) Spares for:—				
6A/1082408	SANGAMO WESTON FD890	Mounting, transmitter	1	—	A	QP10/569
	193Q1866	PIPE, PRESSURE, 3/16" o/d x 22G UNION TO PRESSURE RELAY, GROUP	1	DTD323A	MR	QP9/570
	192Q1866	PIPE, PRESSURE, 3/16" o/d x 22G, PRESSURE RELAY TO TRANSMITTER, GROUP	1	DTD323A	MR	QP9/571
27VA/4625951	DUNLOP ACM18798	Relay, pressure	1	—	A	QP10/572
6A/4333498	SANGAMO WESTON S122/4/44	Transmitter, pressure	1	—	A	QP10/573
		PIPING, SERVICES IN MAIN U/C WHEEL BAY, PORT AND STARBOARD (Q2079, Q2080) Spares for:—	—	—		
14778	68SS3568	Adaptor	1	—	C	QP10/574
	17Q2079	BRACKET, PORT, GROUP	1	—	MR	QP10/575
1510179	25Q2079	BRACKET PRESSURE REDUCING VALVE, RIB 162.5, PORT GROUP	1	—	C	
1510180	26Q2079	BRACKET PRESSURE REDUCING VALVE, RIB 162.5, STBD. GROUP	1	—	C	
1510181	27Q2079	BRACKET PRESSURE REDUCING VALVE, RIB 162.5, GROUP	1	—	C	
27BA/9467721	AVERY AVA64/D	Cap, blanking, 1/2" BSP, port	1	—	C	QP10/576
27BA/9467728	AVERY AVA64/C	Cap, blanking, 3/8" BSP, port	1	—	C	QP10/577
27BA/9467722	AVERY AVA64/F	Cap, blanking, 3/4" BSP, port	1	—	C	QP10/578
	AS4525/2	Clip	1	—		
	AS4525/4	Clip	2	—	C	
	AS4525/6	Clip	1	—		
	AS4525/10	Clip	3	—		
27BA/4110942	AVERY AVA508/D	Coupling, half, flanged, 1/2" BSP, port ...	1	—	C	QP10/579

VULCAN MR. 2

SERVICES
HYDRAULIC

Page QP. 53

Ref. No.	Part No.	Description	No. off	Matl. Spec.	Cl. of	Plate and Illust'n No.
					St. M.R.	
		1 2 3 4				
		PIPING SERVICES, IN MAIN U/C WHEEL BAY, PORT AND STARBOARD (Q2079, Q2080) (Cont'd)				
27BA/4110937	AVERY AVA55/C	Coupling, half, flanged, 3/8" BSP, port	1	—	B	QP10/580
27BA/4110937	or AVA1150/C	Coupling, half, flanged, port	1	—	B	
27BA/9486506	AVERY AVA55/F	Coupling, half, flanged, 3/4" BSP, port	1	—	B	QP10/581
27BA/9486506	or AVA1152/F	Coupling, half, flanged, port	1	—	B	
	38SS3554	Cross-piece	4	—	MR	QP10/582
	2Q1801	FAIRLEAD ON RIB 162.5", PORT AND BETWEEN RIBS 162.5" AND 212.5", STARBOARD, GROUP	2	—	MR	QP10/583
		Consisting of:—				
28D/7002428	A25/6C	Bolt, hex. hd., 2 BA	1	—	C	
	2bQ1801	Bonding, 30G	1	L4		
	2aQ1801	Fairlead, half, 1-3/16" x 1/2" x 1/4" . . .	2	BSS668		
28M/1012015	AGS2001/C1/66	Nut, stiff, 2 BA	1	—	C	
28W/9419402	SP13/C	Washer, 2 BA	1	—	C	
	7Q1865	FAIRLEAD, ON RIB 162.5", PORT, GROUP	1	—	MR	QP10/584
		Consisting of:—				
28D/9133013	A25/5C	Bolt, hex. head, 2 BA	2	—	C	
28D/9435710	A25/11C	Bolt, hex. head, 2 BA	2	—	C	
28D/9140639	A25/11B	Bolt, hex. head, 4 BA	1	—	C	
	7cQ1865	Bonding, 30G x 1/2" x 12"	1	L16		
26FP/13942	SS3867	Bracket, angle	2	—	C	
	7aQ1865	Fairlead, half, 6.6" x .6" x .5"	1	BSS668		
	7bQ1865	Fairlead, half, 6.6" x .5" x .5"	1	BSS668		
28M/1012015	AGS2001/C1/66	Nut, stiff, 2 BA	4	—	C	
28M/1278189	AGS2001/B1	Nut, stiff, 4 BA	1	—	C	
28W/9419402	SP13/C	Washer, 2 BA	4	—	C	
28W/9419465	SP13/B	Washer, 4 BA	1	—	C	
	8Q1865	FAIRLEAD, ON RIB 162.5", GROUP	2	—	MR	QP10/585
		Consisting of:—				
28D/9133013	A25/5C	Bolt, hex. head, 2 BA	2	—	C	
28D/9435710	A25/11C	Bolt, hex. head, 2 BA	2	—	C	
28D/9140639	A25/11B	Bolt, hex. head, 4 BA	2	—	C	
	8cQ1865	Bonding, 30G x 1/2" x 7"	1	L16		
26FP/13942	SS3867	Bracket, angle	2	—	C	
	8aQ1865	Fairlead, half	1	BSS668		
	8bQ1865	Fairlead, half	1	BSS668		
28M/1012015	AGS2001/C1/66	Nut, stiff, 2 BA	4	—	C	
28M/1278189	AGS2001/B1	Nut, stiff, 4 BA	2	—	C	
28W/9419402	SP13/C	Washer, 2 BA	4	—	C	
28W/9419465	SP13/B	Washer, 4 BA	2	—	C	

SERVICES
HYDRAULIC

Ref. No.	Part No.	Description	No. off	Matl. Spec.	Cl. of St.	Plate and Illust'n No.
					M.R.	
		1 2 3 4				
		PIPING SERVICES, IN MAIN U/C WHEEL BAY, PORT AND STARBOARD (Q2079, Q2080) (Cont'd)				
	9Q1865	FAIRLEAD, BETWEEN RIBS 162.5" AND 215.5", GROUP Consisting of:--	4	--	MR	QP10/586
28D/9140645	A25/10C	Bolt, hex. hd., 2 BA	2	--	C	
	9bQ1865	Bonding, 30G x 1/2" x 8"	1	L18		
	9aQ1865	Fairlead, half	2	BSS668		
28M/1012015	AGS2001/C1/66	Nut, stiff, 2 BA	2	--	C	
28W/9419402	SP13/C	Washer, 2 BA	2	--	C	
	4aSS3742	Hose, rubber	1	--		QP10/587
	32Q1866	PIPE, FEED, 1/2" o/d x 18G, TEE-PIECE TO CONTROL VALVE, PORT, GROUP (Pre-Mod. 2236)	1	DTD503	MR	
1505231	261Q2101	PIPE, FEED, 1/2" o/d x 18G, TEE-PIECE TO CONTROL VALVE, PORT, GROUP (Mod. 2236)	1	DTD5016		QP9/588
	96Q1866	PIPE, SUCTION, 3/4" o/d x 20G, TEE-PIECE TO FILTER, PORT, GROUP (Pre-Mod. 2236)	1	L56	MR	
	271Q2101	PIPE, SUCTION, 3/4" o/d x 20G, TEE-PIECE TO FILTER, PORT, GROUP (Mod. 2236)	1	DTD5016	MR	QP9/589
6684	5Q2101	PIPE, RETURN, 1/2" o/d x 20G, TEE-PIECE TO U/C DOOR VALVE, PORT, GROUP (Pre-Mod. 2236)	1	L56	C	
	257Q2101	PIPE, RETURN, 1/2" o/d x 20G, TEE-PIECE TO U/C DOOR VALVE, PORT, GROUP (Mod. 2236)	1	DTD5016	MR	QP9/590
6687	8Q2101	PIPE, RETURN, 1/2" o/d x 20G, CROSS-PIECE TO TEE-PIECE, PORT, GROUP (Pre-Mod. 2236)	1	L56	C	
	264Q2101	PIPE, RETURN, 1/2" x 20G, CROSS-PIECE TO TEE-PIECE, PORT, GROUP (Mod. 2236)	1	DTD5016	MR	QP9/591
6688	9Q2101	PIPE, RETURN, 1/2" o/d x 20G, NON-RETURN VALVE TO CROSS-PIECE, PORT, GROUP (Pre Mod. 2236)	1	L56	C	

SERVICES
HYDRAULIC

Ref. No.	Part No.	Description	No. off	Matl. Spec.	Cl. of	Plate and Illust'n No.
					St. M.R.	
		1 2 3 4				
		PIPING SERVICES IN MAIN U/C WHEEL BAY, PORT AND STARBOARD (Q2079, Q2080) (Cont'd)				
	274Q2101	PIPE, RETURN, 1/2" o/d x 20G, NON- RETURN VALVE TO CROSS-PIECE (Mod. 2236)	1	DTD5016	MR	QP9/592
6689	10Q2101	PIPE, FEED, 1/2" o/d x 18G, ADAPTOR .. TO CROSS-PIECE, PORT, GROUP (Pre-Mod. 2236)	1	DTD503	C	
	275Q2101	PIPE, FEED, 1/2" o/d x 18G, ADAPTOR .. TO CROSS-PIECE, PORT, GROUP (Mod. 2236)	1	DTD5016	MR	QP9/593
6690	11Q2101	PIPE, RETURN, 1/2" o/d x 20G, CROSS- PIECE, TO CONTROL VALVE, PORT, GROUP (Pre-Mod. 2236)	1	L56	C	
	262Q2101	PIPE, RETURN, 1/2" o/d x 20G, CROSS- PIECE, TO CONTROL VALVE, PORT, GROUP (Mod. 2236)	1	DTD5016	MR	QP9/594
6691	12Q2101	PIPE, FEED, 1/2" o/d x 18G, CROSS- PIECE TO TEE-PIECE, PORT, GROUP (Pre-Mod. 2236)	1	DTD503	C	
	273Q2101	PIPE, FEED, 1/2" o/d x 18G, CROSS- PIECE TO TEE-PIECE, PORT, GROUP (Mod. 2236)	1	DTD5016	MR	QP9/595
	62Q2101	PIPE, RETURN, 1/2" o/d x 20G, .. TEE-PIECE TO CONTROL VALVE, STARBOARD, GROUP (Pre-Mod. 2236)	1	L56	MR	
	286Q2101	PIPE, RETURN, 1/2" o/d x 20G, .. TEE-PIECE TO CONTROL VALVE, STARBOARD, GROUP (Mod. 2236)	1	DTD5016	MR	QP9/596
	80Q2101	PIPE, FEED, 1/2" o/d x 18G, CROSS- PIECE TO U/C DOOR VALVE, PORT, GROUP (Pre-Mod. 2236)	1	DTD503		
	265Q2101	PIPE, FEED, 1/2" o/d x 18G, CROSS- PIECE TO U/C DOOR VALVE, PORT, GROUP (Mod. 2236)	1	L5016	MR	QP9/597
8194	102Q2101	PIPE, FEED, 1/2" o/d x 18G, CROSS- PIECE TO ADAPTOR, STARBOARD, GROUP (Pre-Mod. 2236)	1	DTD503	C	

SERVICES
HYDRAULIC

Ref. No.	Part No.	Description	No. off	Matl. Spec.	Cl. of St.	Plate and Illust'n No.
					M.R.	
		1 2 3 4				
		PIPING SERVICES IN MAIN U/C WHEEL BAY, PORT AND STARBOARD (Q2079, Q2080) (Cont'd)				
	293Q2101	PIPE, FEED, 1/2" o/d x 18G, CROSS-PIECE TO ADAPTOR, STARBOARD, GROUP (Mod. 2236)	1	DTD5016	MR	QP9/598
	106Q2101	PIPE, RETURN, 1/2" o/d x 20G, ADAPTOR TO NON-RETURN VALVE, PORT, GROUP (Pre-Mod. 2236)	1	L56		
	276Q2101	PIPE, RETURN, 1/2" o/d x 20G, ADAPTOR TO NON-RETURN VALVE, PORT, GROUP (Mod. 2236)	1	DTD5016	MR	QP9/599
13119	120Q2101	PIPE, FEED, 1/2" o/d x 20G, CROSS-PIECE TO CONTROL VALVE, STARBOARD, GROUP (Pre-Mod. 2236)	1	DTD503	C	
	287Q2101	PIPE, FEED, 1/2" o/d x 20G, CROSS-PIECE TO CONTROL VALVE, STARBOARD, GROUP (Mod. 2236)	1	DTD5016	MR	QP9/600
8749	121Q2101	PIPE, RETURN, 1/2" o/d x 20G, NON-RETURN VALVE TO ADAPTOR, STARBOARD, GROUP (Pre-Mod. 2236)	1	L56	C	
1505253	280Q2101	PIPE, RETURN, 1/2" o/d x 20G, NON-RETURN VALVE TO ADAPTOR, STARBOARD, GROUP (Mod. 2236)	1	DTD5016		QP9/601
8750	122Q2101	PIPE, RETURN, 1/2" o/d x 20G, CROSS-PIECE TO NON-RETURN VALVE, STARBOARD, GROUP (Pre-Mod. 2236)	1	L56	C	
1505252	279Q2101	PIPE, RETURN, 1/2" o/d x 20G, CROSS-PIECE TO NON-RETURN VALVE, STARBOARD, GROUP (Mod. 2236)	1	DTD5016		QP9/602
8751	123Q2101	PIPE, RETURN, 1/2" o/d x 20G, TEE-PIECE TO CROSS-PIECE, STARBOARD, GROUP (Pre-Mod. 2236)	1	L56	C	
	290Q2101	PIPE, RETURN, 1/2" o/d x 20G, TEE-PIECE TO CROSS-PIECE, STARBOARD, GROUP (Mod. 2236)	1	DTD5016	MR	QP9/603
8752	124Q2101	PIPE, RETURN, 1/2" o/d x 20G, CROSS-PIECE TO U/C VALVE, STARBOARD, GROUP (Pre-Mod. 2236)	1	L56	C	

SERVICES
HYDRAULIC

Ref. No.	Part No.	Description	No. off	Matl. Spec.	Cl. of St.	Plate and Illust'n No.
					M.R.	
		1 2 3 4				
		PIPING SERVICES IN MAIN U/C WHEEL BAY, PORT AND STARBOARD (Q2079, Q2080) (Cont'd)				
	292Q2101	PIPE, RETURN, 1/2" o/d x 20G, CROSS- PIECE TO U/C VALVE, STARBOARD, GROUP (Mod. 2236)	1	DTD5016	MR	QP9/604
	128Q2101	PIPE, DRAIN, 3/8" o/d x 20G, FROM CHARGING VALVE TO OUTLET, STARBOARD, GROUP (Pre-Mod. 2236)	1	L56	MR	
	277Q2101	PIPE, DRAIN, 3/8" o/d x 20G, FROM CHARGING VALVE TO OUTLET, STARBOARD, GROUP (Mod. 2236)	1	DTD5016	MR	QP9/605
	131Q2101	PIPE, SUCTION, 3/4" o/d x 20G, AVERY COUPLING TO TEE-PIECE, PORT, GROUP (Pre-Mod. 2236)	1	L56		
	270Q2101	PIPE, SUCTION, 3/4" o/d x 20G, AVERY COUPLING TO TEE-PIECE, PORT, GROUP (Mod. 2236)	1	DTD5016	MR	QP9/606
	133Q2101	PIPE, RETURN, 3/8" o/d x 20G, AVERY COUPLING TO UNION, PORT, GROUP (Pre-Mod. 2236)	1	L56		
	266Q2101	PIPE, RETURN, 3/8" o/d x 20G, AVERY COUPLING TO UNION, PORT, GROUP (Mod. 2236)	1	DTD5016	MR	QP9/607
	136Q2101	PIPE, FEED, 1/2" o/d x 18G, AVERY COUPLING TO TEE-PIECE, PORT, GROUP (Pre-Mod. 2236)	1	DTD503		
	272Q2101	PIPE, FEED, 1/2" o/d x 18G, AVERY COUPLING TO TEE-PIECE, PORT, GROUP (Mod. 2236)	1	DTD5016	MR	QP9/608
	141Q2101	PIPE, FEED, 1/2" o/d x 18G, CROSS- PIECE TO U/C VALVE, STARBOARD, GROUP (Pre-Mod. 2236)	1	DTD503	MR	
	291Q2101	PIPE, FEED, 1/2" o/d x 18G, CROSS- PIECE TO U/C VALVE, STARBOARD, GROUP (Mod. 2236)	1	DTD5016	MR	QP9/609

SERVICES
HYDRAULIC

Ref. No.	Part No.	Description	No. off	Matl. Spec.	Cl. of St.	Plate and Illust'n No.
					M.R.	
		1 2 3 4				
		PIPING SERVICES IN MAIN U/C WHEEL BAY, PORT AND STARBOARD (Q2079, Q2080) (Cont'd)				
	135Q2101	PIPE, SUCTION, 3/4" o/d x 20G, FILTER TO ADAPTOR, PORT, GROUP (Pre-Mod. 905)	1	L56	MR	
	296Q2101	PIPE, SUCTION, 3/4" o/d x 20G, FILTER TO ADAPTOR, PORT, GROUP (Mod. 2736)	1	DTD5016	MR	
	178Q2101	PIPE, SUCTION, 3/4" o/d x 20G, FILTER TO ADAPTOR, PORT, GROUP (Mod. 905)	1	L56	MR	
	267Q2101	PIPE, SUCTION, 3/4" o/d x 20G, FILTER TO ADAPTOR, PORT, GROUP (Mod. 2236)	1	DTD5016	MR	QP9/610
	134Q2101	PIPE, SUCTION, 3/4" o/d x 20G, TEE-PIECE TO ADAPTOR, PORT, GROUP (Pre-Mod. 905)	1	L56		
	297Q2101	PIPE, SUCTION, 3/4" o/d x 20G, TEE-PIECE TO ADAPTOR, PORT, GROUP (Mod. 2236)	1	DTD5016	MR	
	179Q2101	PIPE, SUCTION, 3/4" o/d x 20G, TEE-PIECE TO ADAPTOR, PORT, GROUP (Mod. 905)	1	L56	MR	
	268Q2101	PIPE, SUCTION, 3/4" o/d x 20G, TEE-PIECE TO ADAPTOR, PORT, GROUP (Mod. 2236)	1	DTD5016	MR	QP9/611
	132Q2101	PIPE, RETURN, 3/8" o/d x 20G, UNION TO ADAPTOR, PORT, GROUP (Pre-Mod. 905)	1	L56		
1505239	298Q2101	PIPE, RETURN, 3/8" o/d x 20G, UNION TO ADAPTOR, PORT, GROUP (Mod. 2236)	1	DTD5016		
	180Q2101	PIPE, RETURN, 3/8" o/d x 20G, UNION TO ADAPTOR, PORT, GROUP (Mod. 905)	1	L56	MR	
	269Q2101	PIPE, RETURN, 3/8" o/d x 20G, UNION TO ADAPTOR, PORT, GROUP (Mod. 2236)	1	DTD5016	MR	QP9/612

VULCAN Mk. 2

SERVICES
HYDRAULIC

Page QP. 56A

Ref. No.	Part No.	Description	No. off	Mati. Spec.	Cl. of St.	Plate and Illust'n No.
					M.R.	
		1 2 3 4				
		PIPING SERVICES IN MAIN U/C WHEEL BAY, PORT AND STARBOARD (Q2079, Q2080) (Cont'd.)				
	238Q2101	PIPE, OVERFLOW, 3/8" o/d x 20G, ADAPTOR TO CHARGING VALVE, STARBOARD, GROUP (Pre-Mod. 2236)	1	L56		
1505254	281Q2101	PIPE, OVERFLOW, 3/8" o/d x 20G, ADAPTOR TO CHARGING VALVE, STARBOARD, GROUP (Mod. 2236)	1	DTD5016		QP9/613
1432936	241Q2101	PIPE, 3/16" o/d x 22G, CROSS-PIECE TO TEE-PIECE, PORT, GROUP (Pre-Mod. 2236)	1	DTD5019	C	
	263Q2101	PIPE, 3/16" o/d x 22G, CROSS-PIECE TO TEE-PIECE, PORT, GROUP (Mod. 2236)	1	DTD5016	MR	QP9/614
1432937	242Q2101	PIPE, 3/16" o/d x 22G, TEE-PIECE TO JETTISON VALVE, PORT, GROUP (Pre-Mod. 2236)	1	L56	C	
	258Q2101	PIPE, 3/16" o/d 22G, TEE-PIECE TO JETTISON VALVE, PORT, GROUP (Mod. 2236)	1	DTD5016	MR	QP9/615
1432940	243Q2101	PIPE, RETURN, 3/16" o/d x 22G, TEE-PIECE TO JETTISON VALVE, STARBOARD, GROUP (Pre-Mod. 2236)	1	DTD5019	C	
	288Q2101	PIPE, RETURN, 5/16" o/d x 22G, TEE-PIECE TO JETTISON VALVE, STARBOARD, GROUP (Mod. 2236)	1	DTD5016	MR	QP9/616
1432939	244Q2101	PIPE, FEED, 3/16" o/d x 22G, TEE-PIECE TO CROSS-PIECE, STARBOARD, GROUP (Pre-Mod. 2236)	1	DTD5019	C	
1505258	285Q2101	PIPE, FEED, 3/16" o/d x 22G, TEE-PIECE TO CROSS-PIECE, STARBOARD, GROUP (Mod. 2236)	1	DTD5016	C	QP9/617
	252Q2101	PIPE, 3/16" o/d x 22G, TEE-PIECE TO REDUCING VALVE, PORT, GROUP (Pre-Mod. 2236)	1	DTD323A	MR	
	260Q2101	PIPE, 3/16" o/d x 22G, TEE-PIECE TO REDUCING VALVE, PORT, GROUP (Mod.2236)	1	DTD5016	MR	QP9/618

SERVICES
HYDRAULIC

Ref. No.	Part No.	Description	No. off	Mati. Spec.	Cl. of St.	Plate and Illust'n No.
					M.R.	
		1 2 3 4				
		PIPING SERVICES IN MAIN U/C WHEEL BAY, PORT AND STARBOARD (Q2079, Q2080) (Cont'd.)				
1433745	254Q2101	PIPE, 3/16" o/d x 22G, CROSS-PIECE TO REDUCING VALVE, PORT, GROUP (Pre-Mod. 2236)	1	DTD323A	C	
	259Q2101	PIPE, 3/16" o/d x 22G, CROSS-PIECE TO REDUCING VALVE, PORT, GROUP (Mod. 2236)	1	DTD5016	MR	QP9/619
1433747	253Q2101	PIPE, 3/16" o/d x 22G, TEE-PIECE TO REDUCING VALVE, STARBOARD, GROUP (Pre-Mod. 2236)	1	DTD323A	C	
	284Q2101	PIPE, 3/16" o/d x 22G, TEE-PIECE TO REDUCING VALVE, STARBOARD (Mod. 2236)	1	DTD5016	MR	QP9/620
1433748	255Q2101	PIPE, 3/16" x 22G, CROSS-PIECE TO REDUCING VALVE, STARBOARD, GROUP (Pre-Mod. 2236)	1	DTD323A	C	
	283Q2101	PIPE, 3/16" x 22G, CROSS-PIECE TO REDUCING VALVE, STARBOARD, GROUP (Mod. 2236)	1	DTD5016	MR	QP9/621
	108SS3557	Tee-piece	2	—	MR	QP10/622
27QM/ 4154382	DOWTY C5655Y	Unit, filter	1	—	A	QP10/623
27QM/ 4173768	D7515	Unit, filter	1	—	A	QP10/624
4820-99- 4140000	DOWTY D5240Y	Valve, non-return	2	—	A	QP10/625
27QM/ 4173720	C7335	Valve, charging	1	—	A	QP10/626

VULCAN Mk. 2

SERVICES
HYDRAULIC

Page QP. 57

Ref. No.	Part No.	Description	No. off	Matl. Spec.	Cl. of St.	Plate and Illust'n No.	
					M.R.		
		1 2 3 4					
6432	24Q1866	PIPING SERVICES IN NOSEWHEEL U/C BAY (Q1875)					
		Spares for:—					
		PIPE, FEED, 1/2" o/d x 18G,	1	DTD503	MR	QP9/627	
		BULKHEAD UNION TO FEED BLOCK, GROUP					
		77Q1866	PIPE, RETURN, 1/2" o/d x 20G x 27"	1	L56	MR	QP9/628
			LONG, BULKHEAD UNION TO RETURN BLOCK, GROUP				
			PIPING SERVICES, HYDRAULIC PANEL IN NOSEWHEEL BAY (Q1864)				
			Spares for:—				
	42Q1866	PIPE, 1/4" o/d x 22G x 20" LONG FEED .	1	DTD323A	C	QP11/629	
		BLOCK TO PRESSURE REDUCING VALVE, GROUP (Pre-Mod. 2198)					
	256Q2101	PIPE, 1/4" o/d x 22G x 20" LONG FEED .	1	DTD5016	MR		
		BLOCK TO PRESSURE REDUCING VALVE, GROUP (Mod. 2198)					
	46Q1866	PIPE, 1/4" o/d x 22G x 15" LONG FEED .	1	DTD323A		QP11/630	
		BLOCK TO U/C CONTROL VALVE, GROUP					
1433122	48Q1866	PIPE, 1/4" o/d x 22G x 12" LONG	1	DTD323A	C	QP11/631	
		STEERING STOP VALVE TO PRESSURE REDUCING VALVE, GROUP					
	85Q1866	PIPE, 3/16" o/d x 22G x 8" LONG	1	L56	MR	QP11/632	
		RETURN BLOCK TO PRESSURE REDUCING VALVE, GROUP					

SERVICES
HYDRAULIC

Ref. No.	Part No.	Description	No. off	Matl. Spec.	Cl. of St.	Plate and Illust'n No.
					M.R.	
		1 2 3 4				
		PIPING SERVICES HYDRAULIC PANEL, IN NOSEWHEEL BAY (Q1864) (Cont'd.)				
	86Q1866	PIPE, 3/16" o/d x 22G x 28" LONG, JETTISON VALVE TO RETURN BLOCK, GROUP	1	L56		QP11/633
	88Q1866	PIPE, 3/16" o/d x 22G x 18" LONG, REDUCING VALVE TO RETURN BLOCK, GROUP	1	L56		QP11/634
17473	89Q1866	PIPE, 1/4" o/d x 22G x 10" LONG, REDUCING VALVE TO RETURN BLOCK, GROUP	1	L56	C	QP11/635
	91Q1866	PIPE, 1/4" o/d x 22G x 16" LONG, U/C .. CONTROL VALVE TO RETURN BLOCK, GROUP	1	L56	MR	QP11/636
	92Q1866	PIPE, 1/4" o/d x 22G x 18" LONG, STEERING STOP VALVE TO RETURN BLOCK, GROUP	1	L56	MR	QP11/637
	93Q1866	PIPE, 3/8" o/d x 20G x 48" LONG, RETURN BLOCK TO NON-RETURN VALVE, GROUP	1	L56		QP11/638
	139Q1866	PIPE, 3/8" o/d x 20G x 18" LONG, NON-RETURN VALVE TO BRAKE CONTROL VALVE, GROUP	1	L56		QP11/639
	203Q1866	PIPE, 1/2" o/d x 18G x 12" LONG, DOOR SELECTOR VALVE TO FEED BLOCK, GROUP	1	DTD503	MR	QP11/640
11120	204Q1866	PIPE, 1/2" o/d x 22G x 20" LONG, NOSE . WHEEL DOOR CONTROL TO RETURN BLOCK, GROUP	1	L56	C	QP11/641
4820-99-4117455	DOWTY D5230Y	Valve, non-return	1	—	B	QP11/642
		PIPING, SERVICES, FOR A.A.P.P. SCOOP ... (Q2247) (See:—Equipment—Aircraft—A.A.P.P. Installation)	—	—		
		PIPING, SERVICES—HYDRAULIC PANEL IN NOSEWHEEL BAY (Q1864) (See:—Services—Hydraulic—Brake System)				

VULCAN Mk. 2

SERVICES
HYDRAULICS

Ref. No.	Part No.	Description	No. off	Mati. Spec.	Cl. of St.	Plate and Illust'n No.
					M.R.	
		1 2 3 4				
		HYDRAULICS, MAIN UNDERCARRIAGE AND NOSE WHEEL UNDERCARRIAGE (Q2102)				
		Spares for:—				
		PIPING, MAIN UNDERCARRIAGE BAY, PORT (Q2079)	—	—		
		PIPING, MAIN UNDERCARRIAGE BAY, STARBOARD (Q2080)	—	—		
		Spares for:—				
	10Q2079	BRACKET, CLIP, AT STRUTS, GROUP	2	—	MR	QP13/643
		Spares for:—				
	10aQ2079	Clip, half	1	—		
	10bQ2079	Clip, half	1	—		
26FP/13457	4SS3859	Clip, pipe	6	—	C	
3280	3Q1865	FAIRLEAD, ON RIB 212.5", GROUP	1	—	C	QP13/644
		Consisting of:—				
28D/9140645	A25/10C	Bolt, hex. head, 2 BA	2	—	C	
	3bQ1865	Bonding, 1/2" x 9" x 30G	1	L16		
	3aQ1865	Fairlead, half, 1/2" x 1/2" x 5" long	1	BS668		
	3cQ1865	Fairlead, half, 1/2" x 1/2" x 5" long	1	BS668		
28M/1012015	AGS2001/C1/66	Nut, stiff, 2 BA	2	—	C	
28W/9419402	SP13/C	Washer, 2 BA	2	—	C	
3279	4Q1865	FAIRLEAD, ON RIB 212.5", GROUP	3	—	C	QP13/645
		Consisting of:—				
28D/9140645	A25/10C	Bolt, hex. head, 2 BA	2	—	C	
	4bQ1865	Bonding, 1/2" x 8" x 30G	1	L16		
	4aQ1865	Fairlead, half	1	BSS668		
	4cQ1865	Fairlead, half	1	BSS668		
28M/1012015	AGS2001/C1/66	Nut, stiff, 2 BA	2	—	C	
28W/9419402	SP13/C	Washer, 2 BA	2	—	C	
	5Q1865	FAIRLEAD, ON REAR U/C BULKHEAD, GROUP	1	—	MR	QP13/646
		Consisting of:—				
28D/9150645	A25/10C	Bolt, hex. head, 2 BA	2	—	C	
28D/1010142	A25/9B	Bolt, hex. head, 4 BA	2	—	C	
	5bQ1865	Bonding, 1/2" x 12" x 30G	1	L16		
	5aQ1865	Fairlead, half, 1/2" x 1/2" x 5-3/4"	1	BSS668		
	5cQ1865	Fairlead, half, 1/2" x 1/2" x 5-3/4"	1	BSS668		
28M/1012015	AGS2001/C1/66	Nut, stiff, 2 BA	2	—	C	
28M/1278189	AGS2001/B1	Nut, stiff, 4 BA	2	—	C	
28W/9419402	SP13/C	Washer, 2 BA	2	—	C	
28W/9419465	SP13/B	Washer, 4 BA	2	—	C	

SERVICES
HYDRAULIC

Ref. No.	Part No.	Description	No. off	Matl. Spec.	Cl. of St.	Plate and Illust'n No.
					M.R.	
		1 2 3 4				
		PIPING, MAIN UNDERCARRIAGE, BAY, PORT AND STARBOARD (Q2079, Q2080) . (Cont'd.)				
	6Q1865	FAIRLEAD, ON RIB 162.5, GROUP	1	—	MR	QP13/647
		Consisting of:—				
28D/9435711	A25/10B	Bolt, hex. head, 4 BA	1	—	C	
	6bQ1865	Bonding, 1/2" x 12" x 30G	1	L16		
	6aQ1865	Fairlead, half, 6.05" x 1/2" x 1/2"	2	BSS668		
28M/1278189	AGS2001/B1	Nut, stiff, 4 BA	1	—	C	
28M/9419465	SP13/B	Washer, 4 BA	1	—	C	
	7Q1865	FAIRLEAD, ON RIB 162.5, GROUP	1	—	MR	QP13/648
		Consisting of:—				
28D/9133013	A25/5C	Bolt, hex. head, 2 BA	2	—	C	
28D/9435710	A25/11C	Bolt, hex. head, 2 BA	1	—	C	
28D/9140639	A25/1B	Bolt, hex. head, 4 BA	1	—	C	
	7cQ1865	Bonding, 1/2" x 12" x 30G	1	L16		
26FP/13942	SS3867	Bracket, angle	2	—	C	
	7aQ1865	Fairlead, half, 6.6" x .6" x .5"	1	BSS668		
	7bQ1865	Fairlead, half, 6.6" x .5" x .5"	1	BSS668		
28M/1012015	AGS2001/C1/66	Nut, stiff, 2 BA	4	—	C	
28M/1278189	AGS2001/B1	Nut, stiff, 4 BA	1	—	C	
28W/9419402	SP13/C	Washer, 2 BA	4	—	C	
28W/9419465	SP13/B	Washer, 4 BA	1	—	C	
	8Q1865	FAIRLEAD, ON RIB 162.5, GROUP	1	—	MR	QP13/649
		Consisting of:—				
28D/9133013	A25/5C	Bolt, hex. head, 2 BA	2	—	C	
28D/9435710	A25/11C	Bolt, hex. head, 2 BA	2	—	C	
28D/9140639	A25/11B	Bolt, hex. head, 4 BA	2	—	C	
	8cQ1865	Bonding, 1/2" x 7" x 30G	1	L16		
26FP/13942	SS3867	Bracket, angle	2	—		
	8aQ1865	Fairlead, half, 1/2" x 1/2" x 5-1/2"	1	BSS668		
	8bQ1865	Fairlead, half, 1/2" x 1/2" x 5-1/2"	1	BSS668		
28M/1012015	AGS2001/C1/66	Nut, stiff, 2 BA	4	—	C	
28M/1278189	AGS2001/B1	Nut, stiff, 4 BA	2	—	C	
28W/9419402	SP13/C	Washer, 2 BA	4	—	C	
28W/9419465	SP13/B	Washer, 4 BA	2	—	C	
	9Q1865	FAIRLEAD, ON RIB 162.5 AND RIB 215.5, STARBOARD, GROUP	2	—	MR	QP13/650
		Consisting of:—				
28D/9140645	A25/10C	Bolt, hex. head, 2 BA	2	—	C	
	9bQ1865	Bonding, 1/2" x 9" x 30G	1	L16		
	9aQ1865	Fairlead, half, 1/2" x 1/2" x 3-3/4"	2	BSS668		
28M/1012015	AGS2001/C1/66	Nut, stiff, 2 BA	2	—	C	
28W/9419402	SP13/C	Washer, 2 BA	2	—	C	

VULCAN No. 2

SERVICES
HYDRAULIC

Page QP. 61

Ref. No.	Part No.	Description	No. off	Mati. Spec.	Cl. of St.	Plate and Illust'n No.
					M.R.	
		1 2 3 4				
PIPING, MAIN UNDERCARRIAGE BAY, PORT AND STARBOARD (Q2079, Q2080) (Cont'd.)						
	10Q1865	FAIRLEAD, ON REAR U/C BULKHEAD, GROUP	1	—		QP13/651
		Consisting of:—				
28D/9133013	A25/5C	Bolt, hex. head, 2 BA	1	—	C	
28D/9435710	A25/11C	Bolt, hex. head, 2 BA	2	—	C	
	10cQ1865	Bonding, 1/2" x 6" x 30G	1	L16		
26FP/13942	SS3867	Bracket, angle	1	—	C	
	10aQ1865	Fairlead, half	1	BSS668		
	10bQ1865	Fairlead, half	1	BSS668		
28M/1012015	AGS2001/C1/66	Nut, stiff, 2 BA	3	—	C	
28W/9419402	SP13/C	Washer, 2 BA	3	—	C	
	11Q1878	FAIRLEAD, ON RIB 162.5, STARBOARD, GROUP	1	—		QP13/652
		Consisting of:—				
28D/9133013	A25/5C	Bolt, hex. head, 2 BA	2	—	C	
28D/9435710	A25/11C	Bolt, hex. head, 2 BA	2	—	C	
28D/9140639	A25/11B	Bolt, hex. head, 4 BA	1	—	C	
	11cQ1878	Bonding, 1/2" x 1/2" x 30G	1	L16		
26FP/13942	SS3867	Bracket, angle	2	—	C	
	11aQ1878	Fairlead, half, 5.85" x .5" x .5"	1	BSS668		
	11bQ1878	Fairlead, half, 5.85" x .6" x .5"	1	BSS668		
28M/1012015	AGS2001/C1/66	Nut, stiff, 2 BA	4	—	C	
28M/1278189	AGS2001/B1	Nut, stiff, 4 BA	1	—	C	
28W/9419402	SP13/C	Washer, 2 BA	4	—	C	
28W/9419486	SP16/B	Washer, 4 BA	1	—	C	
	11Q2080	FAIRLEAD, ON RIB 162.5", STARBOARD, GROUP	1	—	MR	QP13/653
		Consisting of:—				
28D/9133013	A25/5C	Bolt, hex. head, 2 BA	2	—	C	
28D/9435710	A25/11C	Bolt, hex. head, 2 BA	2	—	C	
28D/9140639	A25/11B	Bolt, hex. head, 4 BA	1	—	C	
	11cQ2080	Bonding, 1/1/2" x 17" x 30G	1	L16		
26FP/13948	SS3867	Bracket, angle	2	—	C	
	11aQ2080	Fairlead, half, 1/2" x 1/2" x 5-1/2"	1	BSS668		
	11bQ2080	Fairlead, half, 1/2" x .6" x 5-1/2"	1	BSS668		
28M/1012015	AGS2001/C1/66	Nut, stiff, 2 BA	2	—	C	
28M/1278189	AGS2001/B1	Nut, stiff, 4 BA	1	—	C	
28W/9419402	SP13/C	Washer, 2 BA	4	—	C	
28W/9419465	SP13/B	Washer, 4 BA	1	—	C	

SERVICES
HYDRAULIC

Ref. No.	Part No.	Description	No. off	Matl. Spec.	Cl. of St.	Plate and Illust'n No.
					M.R.	
		1 2 3 4				
PIPING, MAIN UNDERCARRIAGE BAY, PORT AND STARBOARD (Q2079, Q2080) (Cont'd.)						
	12Q1865	FAIRLEAD, ON RIB 162.5", GROUP	2	—	MR	QP13/654
		Consisting of:—				
28D/9133013	A25/5C	Bolt, hex. head, 2 BA	2	—	C	
28D/9435710	A25/11C	Bolt, hex. head, 2 BA	2	—	C	
28D/9140639	A25/11B	Bolt, hex. head, 4 BA	1	—	C	
	12cQ1865	Bonding, 1/2" x 12" x 30G	1	L16		
26FP/13942	SS3867	Bracket, angle		—	C	
	12aQ1865	Fairlead, half, 6.65" x .5" x .5"	1	BSS668		
	12bQ1865	Fairlead, half, 6.65" x .6" x .5"	1	BSS668		
28M/1012015	AGS2001/C1/66	Nut, stiff, 2 BA	4	—	C	
28M/1278189	AGS2001/B1	Nut, stiff, 4 BA	1	—	C	
28W/9419402	SP13/C	Washer, 2 BA	4	—	C	
28W/9419486	SP16/B	Washer, 4 BA	1	—	C	
	16Q1865	FAIRLEAD, AT BRACKET, ON	2	—	MR	QP13/655
		STRUTS, GROUP				
		Consisting of:—				
28D/9140645	A25/10C	Bolt, hex. head, 2 BA	2	—	C	
	16bQ1865	Bonding, .5" x 7" x 30G	1	L16		
	16aQ1865	Fairlead, half, 3.25" x 5" x .5"	2	BSS668		
28M/1012015	AGS2001/C1/66	Nut, stiff, 2 BA	2	—	C	
28W/9419402	SP13/C	Washer, 2 BA	2	—	C	
	DOWTY					
27QM/4174005	1.01297.003	Jack, main undercarriage door, forward, port (Mod. 1796) (Pre-Mod. 2491) (See Mainplanes—Inner Mainplanes)	1	—	A	QP13/656
	DOWTY					
27QM/1491730	1.01297.005	Jack, main undercarriage door,	1		A	
	DOWTY					
27QM/4174061	1.01297.004	Jack, main undercarriage door, forward, starboard (Mod. 1796) (Pre-Mod. 2491) (See Mainplanes— Inner Mainplanes)	1	—	A	QP13/657
	DOWTY					
27QM/1491733	1.01297.006	Jack, main undercarriage door, forward, starboard (Mod. 2491)	1		A	
	DOWTY					
27QM/70885	1.01298.003	Jack, main undercarriage door, aft, port	1	—	A	QP13/658
	DOWTY					
27QM/1491731	1.01298.005	Jack, main undercarriage door, rear	1		A	
	DOWTY					
27QM/4174082	1.01298.004	Jack, main undercarriage door, aft,	1	—	A	QP13/659
	DOWTY					
27QM/1491734	1.01298.006	Jack, main undercarriage door, rear	1		A	
	DOWTY					
27QM/4703290	1.03024.010	Jack, main retraction, port (Mod. 2109)	1	—	A	QP13/660
	DOWTY					
27QM/4696554	1.03025.010	Jack, main retraction, starboard	1	—	A	QP13/661
	DOWTY					

VULCAN Mk. 2

SERVICES
HYDRAULIC

Page OP. 63

Ref. No.	Part No.	Description	No. off	Matl. Spec.	Cl. of St.	Plate and Illust'n No.
					M.R.	
		1 2 3 4				
		PIPING, MAIN UNDERCARRIAGE BAY, PORT AND STARBOARD (Q2079, Q2080) (Cont'd)				
3306	7Q1867	PIPE, 1/2" o/d x 18G x 36" LONG SELECTOR VALVE TO TEE-PIECE, STARBOARD, GROUP (Pre-Mod. 2236)	1	DTD503	C	
	82Q2102	PIPE, 1/2" o/d x 18G x 36" LONG SELECTOR VALVE TO TEE-PIECE, STARBOARD, GROUP (Mod. 2236)	1	DTD5016	MR	QP13/662
3307	8Q1867	PIPE, 1/2" o/d x 18G x 18" LONG SELECTOR VALVE TO TEE-PIECE, STARBOARD, GROUP (Pre-Mod. 2236)	1	DTD503	C	
	81Q2102	PIPE, 1/2" o/d x 18G x 18" LONG SELECTOR VALVE TO TEE-PIECE, STARBOARD, GROUP (Mod. 2236)	1	DTD5016	MR	QP13/663
3214	11Q1867	PIPE, 1/2" o/d x 18G x 42" LONG SELECTOR VALVE TO TEE-PIECE, PORT, GROUP (Pre-Mod. 2236)	1	DTD503	C	
	57Q2102	PIPE, 1/2" o/d x 18G x 42" LONG SELECTOR VALVE TO TEE-PIECE, PORT, GROUP (Mod. 2236)	1	DTD5016	MR	QP13/664
	12Q1867	PIPE, 1/2" o/d x 18G x 18" LONG SELECTOR VALVE TO TEE-PIECE, PORT, GROUP (Pre-Mod. 2236)	1	DTD503	MR	
1505293	55Q2102	PIPE, 1/2" o/d x 18G x 18" LONG SELECTOR VALVE TO TEE-PIECE, PORT, GROUP (Mod. 2236)	1	DTD5016		QP13/665
	15Q1867	PIPE, 1/2" o/d x 18G x 6" LONG SELECTOR VALVE TO TEE-PIECE, PORT, GROUP (Pre-Mod. 2236)	1	DTD503		
	38Q2102	PIPE, 1/2" o/d x 18G x 6" LONG SELECTOR VALVE TO TEE-PIECE, PORT, GROUP (Mod. 2236)	1	DTD5016	MR	QP13/666

SERVICES
HYDRAULIC

Ref. No.	Part No.	Description	No. off	Matl. Spec.	Cl. of	Plate and Illust'n No.
					St. M.R.	
		1 2 3 4				
		PIPING, MAIN UNDERCARRIAGE BAY, PORT AND STARBOARD (Q2079, Q2080) (Cont'd)				
	16Q1867	PIPE, 1/2" o/d x 18G x 12" LONG SELECTOR VALVE TO TEE-PIECE, PORT, GROUP (Pre-Mod. 2236)	1	DTD503		
	39Q2102	PIPE, 1/2" o/d x 18G x 12" LONG SELECTOR VALVE TO TEE-PIECE, PORT, GROUP (Mod. 2236)	1	DTD5016	MR	QP13/667
	17Q1867	PIPE, 1/2" o/d x 18G x 36" LONG SELECTOR VALVE TO TEE-PIECE, STARBOARD, GROUP (Pre-Mod. 2236)	1	DTD503		
	66Q2102	PIPE, 1/2" o/d x 18G x 36" LONG SELECTOR VALVE TO TEE-PIECE, STARBOARD, GROUP (Mod. 2236)	1	DTD5016	MR	QP13/668
	18Q1867	PIPE, 1/2" o/d x 18G x 24" LONG SELECTOR VALVE TO TEE-PIECE, STARBOARD, GROUP (Pre-Mod. 2236)	1	DTD503		
	65Q2102	PIPE, 1/2" o/d x 18G x 24" LONG SELECTOR VALVE TO TEE-PIECE, STARBOARD, GROUP (Mod. 2236)	1	DTD5016	MR	QP13/669
	21Q1867	PIPE, 1/2" o/d x 18G x 12" LONG TEE-PIECE TO RESTRICTOR, PORT, GROUP (Pre-Mod. 2236)	1	DTD503		
	36Q2102	PIPE, 1/2" o/d x 18G x 12" LONG TEE-PIECE TO RESTRICTOR, PORT, GROUP (Mod. 2236)	1	DTD5016	MR	QP13/670
	22Q1867	PIPE, 3/8" o/d x 20G x 12" LONG JETTISON VALVE TO TEE-PIECE, PORT, GROUP (Pre-Mod. 2236)	1	DTD503		
	40Q2102	PIPE, 3/8" o/d x 20G x 12" LONG JETTISON VALVE TO TEE-PIECE, PORT, GROUP (Mod. 2236)	1	DTD5016	MR	QP13/671

VULCAN Mk. 2

SERVICES
HYDRAULIC

Page QP 63B

Ref. No.	Part No.	Description	No. off	Matl. Spec.	Cl. of St.	Plate and Illust'n No.	
					M.R.		
		1 2 3 4					
3232	23Q1867	PIPING MAIN UNDERCARRIAGE BAY, PORT AND STARBOARD (Q2079, Q2080) (Cont'd)					
		PIPE, 3/8" o/d x 20G x 60" LONG, TEE-PIECE TO MAIN U/C DOOR JACK, AFT, PORT, GROUP (Pre-Mod. 2236)	1	DTD503	C		
		43Q2102	PIPE, 3/8" o/d x 20G x 60" LONG, TEE-PIECE TO MAIN U/C DOOR JACK, AFT, PORT, GROUP (Mod. 2236)	1	DTD5016	MR	QP13/672
		24Q1867	PIPE, 3/8" o/d x 20G x 54" LONG, TEE-PIECE TO MAIN U/C DOOR JACK, AFT, PORT, GROUP (Pre-Mod. 2236)	1	DTD503		
3227	27Q1867	44Q2102	PIPE, 3/8" o/d x 20G x 54" LONG, TEE-PIECE TO MAIN U/C DOOR JACK, AFT, PORT, GROUP (Mod. 2236)	1	DTD5016	MR	QP13/673
		PIPE, 3/8" o/d x 20G x 60" LONG, TEE-PIECE TO MAIN U/C DOOR JACK, FORWARD, PORT, GROUP (Pre-Mod. 2236)	1	DTD503	C		
1505272	34Q2102	PIPE, 3/8" o/d x 20G x 60" LONG, TEE-PIECE TO MAIN U/C DOOR JACK, FORWARD, PORT, GROUP (Mod. 2236)	1	DTD5016		QP13/674	
		28Q1867	PIPE, 3/8" o/d x 20G x 48" LONG, TEE-PIECE TO MAIN U/C DOOR JACK, FORWARD, PORT, GROUP (Pre-Mod. 2236)	1	DTD503	MR	
		35Q2102	PIPE 3/8" o/d x 20G x 48" LONG, TEE-PIECE TO MAIN U/C DOOR JACK, FORWARD, PORT, GROUP (Mod. 2236)	1	DTD5016	MR	QP13/675
		32Q1867	PIPE, 1/2" o/d x 20G x 12" LONG TEE-PIECE TO RESTRICTOR, STARBOARD, GROUP (Pre-Mod. 2236)	1	DTD503		
		61Q2102	PIPE, 1/2" o/d x 20G x 12" LONG, TEE-PIECE TO RESTRICTOR, STARBOARD, GROUP (Mod. 2236)	1	DTD5016	MR	QP13/676

SERVICES
HYDRAULIC

Ref. No.	Part No.	Description	No. off	Mati. Spec.	Cl. of St.	Plate and Illust'n No.
					M.R.	
		1 2 3 4				
		PIPING MAIN UNDERCARRIAGE BAY, PORT AND STARBOARD (Q2079, Q2080) (Cont'd)				
1505306	33Q1867	PIPE, 3/8" o/d x 20G x 12" LONG, JETTISON VALVE TO TEE-PIECE, STARBOARD, GROUP (Pre-Mod. 2236)	1	DTD503		
	67Q2102	PIPE, 3/8" o/d x 20G x 12" LONG, JETTISON VALVE TO TEE-PIECE, STARBOARD, GROUP (Mod. 2236)	1	DTD5016		QP13/677
	34Q1867	PIPE, 3/8" o/d x 20G x 48" LONG, TEE-PIECE, MAIN U/C DOOR JACK, AFT, STARBOARD, GROUP (Pre-Mod. 2236)	1	DTD503		
	69Q2102	PIPE, 3/8" o/d x 20G x 48" LONG, TEE-PIECE TO MAIN U/C DOOR JACK, AFT, STARBOARD, GROUP (Mod. 2236)	1	DTD5016	MR	QP13/678
	35Q1867	PIPE, 3/8" o/d x 20G x 48" LONG, TEE-PIECE TO MAIN U/C DOOR JACK, AFT, STARBOARD, GROUP (Pre-Mod. 2236)	1	DTD503		
	70Q2102	PIPE, 3/8" o/d x 20G x 48" LONG, TEE-PIECE TO MAIN U/C DOOR JACK, AFT, STARBOARD, GROUP (Mod. 2236)	1	DTD5016	MR	QP13/679
	37Q1867	PIPE, 3/8" o/d x 20G x 48" LONG, TEE-PIECE TO MAIN U/C DOOR JACK, FORWARD, STARBOARD, GROUP (Pre-Mod. 2236)	1	DTD503	MR	
1505301	30Q2102	PIPE, 3/8" o/d x 20G x 48" LONG, TEE-PIECE TO MAIN U/C DOOR JACK, FORWARD, STARBOARD, GROUP (Mod. 2236)	1	DTD5016		QP13/680
	40Q1867	PIPE, 3/8" o/d x 20G x 48" LONG, TEE-PIECE TO MAIN U/C DOOR JACK, FORWARD, STARBOARD, GROUP (Pre-Mod. 2236)	1	DTD503		
	63Q2102	PIPE, 3/8" o/d x 20G x 48" LONG, TEE-PIECE TO MAIN U/C DOOR JACK, FORWARD, STARBOARD, GROUP (Mod. 2236)	1	DTD5016	MR	QP13/681

VULCAN Mk. 2

SERVICES
HYDRAULIC

Page QP. 64A

Ref. No.	Part No.	Description	No. off	Matl. Spec.	Cl. of St.	Plate and Illust'n No.
					M.R.	
		1 2 3 4				
		PIPING, MAIN UNDERCARRIAGE BAY, PORT AND STARBOARD (Q2079, Q2080) (Cont'd)				
	70Q1867	PIPE, 1/2" o/d x 18G x 3" LONG, TEE-PIECE TO UNION, PORT, GROUP (Pre-Mod. 2236)	1	DTD503		
	37Q2102	PIPE, 1/2" o/d x 18G x 3" LONG, TEE-PIECE TO UNION, PORT, GROUP (Mod. 2236)	1	DTD5016	MR	QP13/682
	71Q1867	PIPE, 3/8" o/d x 20G x 60" LONG, FROM JETTISON VALVE, PORT, GROUP (Pre-Mod. 2236)	1	L56		
1505280	42Q2102	PIPE, 3/8" o/d x 20G x 60" LONG, FROM JETTISON VALVE, PORT, GROUP (Mod. 2236)	1	DTD5016		QP13/683
	75Q1867	PIPE, 1/2" o/d x 18G x 12" LONG, SELECTOR VALVE CONNECTION TO UNION, PORT, GROUP (Pre-Mod. 2236)	1	DTD503	MR	
	50Q2102	PIPE, 1/2" o/d x 18G x 12" LONG, SELECTOR VALVE CONNECTION TO UNION, PORT, GROUP (Mod. 2236)	1	DTD5016	MR	QP13/684
	76Q1867	PIPE, 1/2" o/d x 18G x 12" LONG, TEE-PIECE TO UNION, STARBOARD, GROUP (Pre-Mod. 2236)	1	DTD503		
	64Q2102	PIPE, 1/2" o/d x 18G x 12" LONG, TEE-PIECE TO UNION, STARBOARD, GROUP (Mod. 2236)	1	DTD5016	MR	QP13/685
	79Q1867	PIPE, 3/8" o/d x 20G x 60" LONG, FROM JETTISON VALVE, STARBOARD, GROUP (Pre-Mod. 2236)	1	L56		
1505307	68Q2102	PIPE, 3/8" o/d x 20G x 60" LONG, FROM JETTISON VALVE, STARBOARD, GROUP (Mod. 2236)	1	DTD5016		QP13/686
3217	82Q1867	PIPE, 3/8" o/d x 20G x 36" LONG, TEE-PIECE TO UNION, PORT, GROUP (Pre-Mod. 2236)	1	DTD503	C	
	46Q2102	PIPE, 3/8" o/d x 20G x 36" LONG, TEE-PIECE TO UNION, PORT, GROUP (Mod. 2236)	1	DTD5016	MR	QP13/687

SERVICES
HYDRAULIC

Ref. No.	Part No.	Description	No. off	Matl. Spec.	Cl. of St.	Plate and Illust'n No.
					M.R.	
		1 2 3 4				
3302	85Q1867	PIPING, MAIN UNDERCARRIAGE BAY, PORT AND STARBOARD (Q2079, Q2080) (Cont'd) PIPE, 1/2" o/d x 18G x 36" LONG, TEE-PIECE TO UNION, STARBOARD, GROUP (Pre-Mod. 2236)	1	DTD503	C	
	74Q2102	PIPE, 1/2" o/d x 18G x 36" LONG, TEE-PIECE TO UNION, PORT, GROUP (Mod. 2236)	1	DTD5016	MR	QP13/688
	92Q1867	PIPE, 3/8" o/d x 20G x 13" LONG, REDUCING UNION TO U/C RETRACTING JACK, STARBOARD, GROUP (Pre-Mod. 2236)	1	DTD503	MR	
	84Q2102	PIPE, 3/8" o/d x 20G x 13" LONG, REDUCING UNION TO U/C RETRACTING JACK, STARBOARD, GROUP (Mod. 2236)	1	DTD5016	MR	QP13/689
3220	95Q1867	PIPE, 3/8" o/d x 20G x 11" LONG, REDUCING UNION TO U/C RETRACTING JACK, PORT, GROUP (Pre-Mod. 2236)	1	DTD503	C	
	52Q2102	PIPE, 3/8" o/d x 20G x 11" LONG, REDUCING UNION TO U/C RETRACTING JACK, PORT, GROUP (Mod. 2236)	1	DTD5016	MR	QP13/690
	104Q1867	PIPE, 1/2" o/d x 18G x 27" LONG, TEE-PIECE TO RESTRICTOR, PORT, GROUP (Pre-Mod. 2236)	1	DTD503		
	47Q2102	PIPE, 1/2" o/d x 18G x 27" LONG, TEE-PIECE TO RESTRICTOR, PORT, GROUP (Mod. 2236)	1	DTD5016	MR	QP13/691
3221	105Q1867	PIPE, 1/2" o/d x 18G x 22" LONG, SNUBBER VALVE TO RESTRICTOR, PORT, GROUP (Pre-Mod. 2236)	1	DTD503		
	48Q2102	PIPE, 1/2" o/d x 18G x 22" LONG, SNUBBER VALVE TO RESTRICTOR, PORT, GROUP (Mod. 2236)	1	DTD5016	MR	QP13/692
3221	106Q1867	PIPE, 3/16" o/d x 22G x 109" LONG, TEE-PIECE TO SNUBBER VALVE, PORT, GROUP (Pre-Mod. 2236)	1	DTD323A	C	

VULCAN Mk. 2

SERVICES
HYDRAULIC

Page OP. 65

Ref. No.	Part No.	Description	No. off	Matl. Spec.	Cl. of St.	Plate and Illust'n No.
					M.R.	
		1 2 3 4				
		PIPING, MAIN UNDERCARRIAGE BAY, PORT AND STARBOARD (Q2079, Q2080) (Cont'd)				
	54Q2102	PIPE, 3/16" o/d x 22G x 109" LONG, TEE-PIECE TO SNUBBER VALVE, PORT, GROUP (Mod. 2236)	1	DTD5016	MR	QP13/693
	107Q1867	PIPE, 1/2" o/d x 18G x 77" LONG, REDUCING UNION TO COUPLING, PORT, GROUP (Pre-Mod. 2236)	1	DTD503		
	51Q2102	PIPE, 1/2" o/d x 18G x 77" LONG, REDUCING UNION TO COUPLING, PORT, GROUP (Mod. 2236)	1	DTD5016	MR	QP13/694
	109Q1867	PIPE, 1/2" o/d x 18G x 77" LONG, TEE-PIECE TO RESTRICTOR, STARBOARD, GROUP (Pre-Mod. 2236)	1	DTD503		
	75Q2102	PIPE, 1/2" o/d x 18G x 77" LONG, TEE-PIECE TO RESTRICTOR, STARBOARD, GROUP (Mod. 2236)	1	DTD5016	MR	QP13/695
3327	110Q1867	PIPE, 1/2" o/d x 18G x 22" LONG, SNUBBER VALVE TO RESTRICTOR, STARBOARD, GROUP (Pre-Mod. 2236)	1	DTD503	C	
	76Q2102	PIPE, 1/2" o/d x 18G x 22" LONG, SNUBBER VALVE TO RESTRICTOR, STARBOARD, GROUP (Mod. 2236)	1	DTD5016	MR	QP13/696
	111Q1867	PIPE, 1/2" o/d x 18G x 75" LONG, REDUCING UNION TO COUPLING, STARBOARD, GROUP (Pre-Mod. 2236)	1	DTD503		
	83Q2102	PIPE, 1/2" o/d x 18G x 75" LONG, REDUCING UNION TO COUPLING, STARBOARD, GROUP (Mod. 2236)	1	DTD5016	MR	QP13/697
	112Q1867	PIPE, 3/16" o/d x 22G x 109" LONG, TEE-PIECE TO SNUBBER VALVE, STARBOARD, GROUP (Pre-Mod. 2236)	1	DTD323A		

SERVICES
HYDRAULIC

Ref. No.	Part No.	Description	No. off	Matl. Spec.	Cl. of St.	Plate and Illust'n No.
					M.R.	
		1 2 3 4				
		PIPING MAIN UNDERCARRIAGE BAY, PORT AND STARBOARD (Q2079, Q2080) (Cont'd)				
	80Q2102	PIPE, 3/16" o/d x 22G x 109" LONG, TEE-PIECE TO SNUBBER VALVE, STARBOARD, GROUP (Mod. 2236)	1	DTD5016	MR	QP13/698
	126Q1867	PIPE, 1/2" o/d x 18G x 24" LONG, SNUBBER VALVE TO UNION, PORT, GROUP (Pre-Mod. 2236)	1	DTD503		
	49Q2102	PIPE, 1/2" o/d x 18G x 24" LONG, SNUBBER VALVE TO UNION, PORT, GROUP (Mod. 2236)	1	DTD5016	MR	QP13/699
	127Q1867	PIPE, 1/2" o/d x 18G x 24" LONG, SNUBBER VALVE TO UNION, STARBOARD, GROUP (Pre-Mod. 2236)	1	DTD503		
	77Q2102	PIPE, 1/2" o/d x 18G x 24" LONG, SNUBBER VALVE TO UNION, STARBOARD, GROUP (Mod. 2236)	1	DTD5016	MR	QP13/700
6704	10Q2102	PIPE, 3/16" o/d x 22G x 69" LONG, UNION TO UNION, PORT, GROUP (Pre-Mod. 2236)	1	DTD323A	C	
	32Q2102	PIPE, 3/16" o/d x 22G x 69" LONG, UNION TO UNION, PORT, GROUP (Mod. 2236)	1	DTD5016	MR	QP13/701
6705	11Q2102	PIPE, 3/16" o/d x 22G x 74" LONG, UNION TO UNION, STARBOARD, GROUP (Pre-Mod. 2236)	1	DTD323A	C	
	59Q2102	PIPE, 3/16" o/d x 22G x 74" LONG, UNION TO UNION, STARBOARD, GROUP (Mod. 2236)	1	DTD5016	MR	QP13/702
6706	12Q2102	PIPE, 3/8" o/d x 20G x 37" LONG, ADAPTOR TO TEE-PIECE, STARBOARD GROUP (Pre-Mod. 2236)	1	DTD503	C	
	60Q2102	PIPE, 3/8" o/d x 20G x 37" LONG, ADAPTOR TO TEE-PIECE, STARBOARD, GROUP (Mod. 2236)	1	DTD5016	MR	QP13/703

YULCAN Mk. 2

SERVICES
HYDRAULIC

Page QP. 66A

Ref. No.	Part No.	Description	No. off	Mati. Spec.	Cl. of	Plate and Illust'n No.
					St. M.R.	
		1 2 3 4				
		PIPING, MAIN UNDERCARRIAGE BAY, PORT AND STARBOARD (Q2079, Q2080) (Cont'd)				
6707	13Q2102	PIPE, 3/8" o/d x 20G x 45" LONG, JETTISON VALVE TO ADAPTOR, STARBOARD, GROUP (Pre-Mod. 2236)	1	DTD503	C	
1505310	71Q2102	PIPE, 3/8" o/d x 20G x 45" LONG, JETTISON VALVE TO ADAPTOR, STARBOARD, GROUP (Mod. 2236)	1	DTD5016		QP13/704
6708	14Q2102	PIPE, 3/8" o/d x 20G x 24" LONG, UNION TO TEE-PIECE, PORT, GROUP (Pre-Mod. 905)	1	DTD503	C	
	85Q2102	PIPE, 3/8" o/d x 20G x 24" LONG, UNION TO TEE-PIECE, PORT (Mod. 2236)	1	DTD5016	MR	
	25Q2102	PIPE, 3/8" o/d x 20G x 24" LONG, UNION TO TEE-PIECE, PORT (Pre-Mod. 2236)	1	DTD503		
	56Q2102	PIPE, 3/8" o/d x 20G x 24" LONG, UNION TO TEE-PIECE, PORT (Mod. 2236)	1	DTD5016	MR	QP13/705
6709	15Q2102	PIPE, 3/8" o/d x 20G x 56" LONG, JETTISON VALVE TO UNION, PORT, GROUP (Pre-Mod. 2236)	1	DTD503	C	
	41Q2102	PIPE, 3/8" o/d x 20G x 56" LONG, JETTISON VALVE TO UNION, PORT, GROUP (Mod. 2236)	1	DTD5016	MR	QP13/706
	17Q2102	PIPE, 1/2" o/d x 18G, TEE-PIECE TO ADAPTOR, STARBOARD, GROUP (Pre-Mod. 2236)	1	DTD503		
	78Q2102	PIPE, 1/2" o/d x 18G, TEE-PIECE TO ADAPTOR, STARBOARD, GROUP (Mod. 2236)	1	DTD5016	MR	QP13/707
	18Q2102	PIPE, 3/8" o/d x 20G, TEE-PIECE TO RETRACTION JACK, STARBOARD, GROUP (Pre-Mod. 2236)	1	DTD503		
	79Q2102	PIPE, 3/8" o/d x 20G, TEE-PIECE TO RETRACTION JACK, STARBOARD, GROUP (Mod. 2236)	1	DTD5016	MR	QP13/708

SERVICES

HYDRAULIC

Ref. No.	Part No.	Description	No. off	Mati. Spec.	Cl. of St.	Plate and Illust'n No.
					M.R.	
		1 2 3 4				
		PIPING MAIN UNDERCARRIAGE BAY, PORT AND STARBOARD, (Q2079, Q2080) (Cont'd)				
	19Q2102	PIPE, 3/8" o/d x 20G x 24" LONG, TEE-PIECE TO SWIVEL COUPLING, STARBOARD, GROUP (Pre-Mod. 2236)	1	DTD5016		
	73Q2102	PIPE, 3/8" o/d x 20G x 24" LONG, TEE-PIECE TO SWIVEL COUPLING, STARBOARD, GROUP (Mod. 2236)	1	DTD5016	MR	QP13/709
20162	20Q2102	PIPE, 3/16" o/d x 22G x 72" LONG, SWIVEL COUPLING TO UNION, STARBOARD, GROUP (Pre-Mod. 2236)	1	DTD323	C	
	72Q2102	PIPE, 3/16" o/d x 22G x 72" LONG, SWIVEL COUPLING TO UNION, STARBOARD, GROUP (Mod. 2236)	1	DTD5016	MR	QP13/710
	21Q2102	PIPE, 3/8" o/d x 20G x 36" LONG, SWIVEL COUPLING TO TEE-PIECE, PORT, GROUP (Pre-Mod. 2236)	1	DTD503	MR	
	45Q2102	PIPE, 3/8" o/d x 20G x 36" LONG, SWIVEL COUPLING TO TEE-PIECE, PORT, GROUP (Mod. 2236)	1	DTD5016	MR	QP13/711
	22Q2102	PIPE, 3/16" o/d x 22G x 6" LONG, SWIVEL COUPLING TO UNION, PORT, GROUP (Pre-Mod. 2236)	1	DTD323A	MR	
	33Q2102	PIPE, 3/16" o/d x 22G x 65" LONG, SWIVEL COUPLING TO UNION, PORT, GROUP (Mod. 2236)	1	DTD5016	MR	QP13/712
	23Q2102	PIPE, 3/8" o/d x 22G x 15" LONG, RETRACTING JACK TO TEE-PIECE, PORT, GROUP (Pre-Mod. 2236)	1	DTD503		
1505291	53Q2102	PIPE, 3/8" o/d x 22G x 15" LONG, RETRACTING JACK TO TEE-PIECE, PORT, GROUP (Mod. 2236)	1	DTD5016		QP13/713

VULCAN Mk. 2

SERVICES
HYDRAULIC

Page QP. 67

Ref. No.	Part No.	Description	No. off	Mati. Spec.	Cl. of	Plate and Illust'n No.
					St. M.R.	
		1 2 3 4				
		PIPING MAIN UNDERCARRIAGE BAY, PORT AND STARBOARD, (Q2079, Q2080) (Cont'd)				
1433746	28Q2102	PIPE, 3/16" o/d x 22G, UNION TO PRESSURE REDUCING VALVE, PORT, GROUP (Pre-Mod. 2236)	1	DTD323A	C	
1505269	31Q2102	PIPE, 3/16" o/d x 22G, UNION TO PRESSURE REDUCING VALVE, PORT, GROUP (Mod. 2236)	1	DTD5016		QP13/714
1433749	29Q2102	PIPE, 3/16" o/d x 22G, UNION TO PRESSURE REDUCING VALVE, STARBOARD, GROUP (Pre-Mod. 2236)	1	DTD323A		
	58Q2102	PIPE, 3/16" o/d x 22G, UNION TO PRESSURE REDUCING VALVE, STARBOARD, GROUP (Mod. 2236)	1	DTD5016	MR	QP13/715
	122SS3557	Tee-Piece, 3/8" x 1/2" x 1/2" BSP	2	-	MR	QP13/716
	123SS3557	Tee-piece, 3/8" x 1/2" x 3/8" BSP	3	-	MR	QP13/717
	126SS3557	Tee-piece, 1/2" x 3/8" x 1/2" BSP	1	-	MR	QP13/718
27QM/1446884	DOWTY 1.00982.005	Valve, selector, main u/c jacks and doors ... (Mod. 2180)	1	-	A	QP13/719
27Q/1446653	DOWTY 1.02299.003	Valve, pressure reducing (Mod. 2172)	1	-	A	
27QM/1446881	DOWTY 1.02817.001	Valve, pressure reducing (Mod. 2171)	1	-	A	QP13/720
27QM/1396	DOWTY C6770Y.MK.A	Valve, jettison, main u/c	1	-	A	QP13/721
27QM/1383	DOWTY C6771Y.MK.A	Valve, snubber	1	-	A	QP13/722
27QM/1382	DOWTY D6406YB	Valve, restrictor, u/c doors and retracting ... jack	2	-	A	QP13/723

SERVICES
HYDRAULIC

Ref. No.	Part No.	Description	No. off	Matl. Spec.	Cl. of	Plate and Illust'n No.
					St. M.R.	
		1 2 3 4				
		HYDRAULICS, MAIN U/C AND NOSE WHEEL U/C (Q2102) (Cont'd)				
		Spares for:—				
		PIPING, NOSE WHEEL U/C BAY (Q1875)				
		Spares for:—				
	26Q1875	ADAPTOR, VENT PIPE, GROUP	1	—		QP14/724
28D/1011019	A25/8C	Bolt, hex. hd., 2 BA for use with half	1	—	C	
	8bQ1492	fairlead, 8aQ1492				
		Bonding, 30G x 3/8" x 5-1/2" for use with	1	L4		
		half fairlead, 8aQ1492				
3211	90Q1867	BLOCK, CONNECTOR, FLEX, PIPES	1	—	C	QP14/725
		FOR NOSE WHEEL DOORS, PORT, GROUP				
3212	91Q1867	BLOCK, CONNECTOR, FLEX, PIPES	1	—	C	QP14/726
		FOR NOSEWHEEL DOORS, STARBOARD, GROUP				
		Consisting of:—				
28F/1014970	AGS1104/A	Adaptor, 3/16"	1	—	C	
28F/9140971	AGS1104/C	Adaptor, 3/16"	2	—	C	
28F/9439106	AGS1105/A	Adaptor, 3/16"	1	—	C	
28F/9439104	AGS1105/C	Adaptor, 3/8"	1	—	C	
4434	122SS3553	Adaptor, reducing, port	1	—	C	QP14/727
	1SS3553	Adaptor, reducing, starboard	1	—	MR	QP14/728
	90aQ1867	Block, port	1	DTD683		
	91aQ1867	Block, starboard	1	DTD683		
	AGS948/A	Plug, port	1	—	C	
28F/9428452	AGS1186/A	Washer, joint	3	—	C	
28F/9428455	AGS1186/C	Washer, joint	4	—	C	
	906Q1867	Wire, locking, port	QR	DTD161		
	916Q1867	Wire, locking, starboard	QR	DTD161		
	2SS4634	Elbow, 45°, 1/4" BSP	2	—	MR	
9986	3SS4634	Elbow, 45°, 3/8" BSP	2	—	C	
	107Q1632	FAIRLEAD, ON FORMER 189.5 AND	2	—		QP14/729
		REAR PRESSURE BULKHEAD, GROUP				
		Consisting of:—				
28D/9133014	A25/13C	Bolt, hex. hd., 2 BA	2	—	C	
	107cQ1632	Bonding, 30G x 1/2" x 8"	1	L64		
	107aQ1632	Fairlead, half, 1/2" x 3/4" x 2-1/2"	1	BSS668		
	107bQ1632	Fairlead, half, 1/2" x 1/2" x 2-1/2"	1	BSS668		
28M/1012015	AGS2001/C1/66	Nut, stiff, 2 BA	2	—	C	
28W/9419454	SP10/C	Washer, 2 BA	2	—	C	
	4Q1875	FAIRLEAD, ON FORMERS 115.5" TO	5	—	C	QP14/730
		175", GROUP				
		Consisting of:—				
28D/9435710	A25/11C	Bolt, hex. hd., 2 BA	2	—	C	
	4bQ1875	Bonding, 30G x 1/2" x 7"	1	L64		
	4aQ1875	Fairlead, half, 1/2" x 1/2" x 3.9"	2	BSS668		
28M/1012015	AGS2001/C1/66	Nut, stiff, 2 BA	2	—	C	
28W/9419475	SP15/C	Washer, 2 BA	2	—	C	

VULCAN Mk. 2

SERVICES
HYDRAULIC

Page QP. 69

Ref. No.	Part No.	Description	No. off	Matl. Spec.	Cl. of St.	Plate and Illust'n No.
					M.R.	
		1 2 3 4				
		PIPING, NOSE WHEEL UNDERCARRIAGE BAY (Q1875) (Cont'd)				
	6Q1875	FAIRLEAD, ON FORMER 101", GROUP	1	—	C	QP14/731
		Consisting of:—				
28D/9435710	A25/11C	Bolt, hex. head, 2 BA	2	—	C	
	6bQ1875	Bonding, 30G x 1/2" x 10"	1	L4		
	6aQ1875	Fairlead, half, 1/2" x 1/2" x 5.65"	2	BSS668		
28M/1012015	AGS2001/C1/66	Nut, stiff, 2 BA	2	—	C	
28W/9419475	SP15/1	Washer, 2 BA	2	—	C	
	8Q1875	FAIRLEAD, ON REAR PRESSURE BULKHEAD, GROUP	2	—	MR	QP14/732
		Consisting of:—				
28D/7002428	A25/6C	Bolt, hex. head, 2 BA	2	—	C	
	8bQ1875	Bonding, 30G x 1/2" x 6"	1	L4		
	8aQ1875	Fairlead, half, 1/2" x 1/4" x 2"	2	BSS668		
28M/1012015	AGS2001/C1/66	Nut, stiff, 2 BA	2	—	C	
28W/9419475	SP15/C	Washer, 2 BA	2	—	C	
	25Q1875	FAIRLEAD, 5 PIPE, GROUP	1	—	C	QP14/733
		Consisting of:—				
28D/9133013	A25/5C	Bolt, hex. head, 2 BA	2	—	C	
	25bQ1875	Bonding, 30G x 1/2" x 5"	1	L4		
	25aQ1875	Fairlead, half, 1/2" x 1/4" x 2.9"	2	BSS668		
28M/1012015	AGS2001/C1/66	Nut, hex. head, 2 BA	2	—	C	
28W/9419475	SP15/C	Washer, 2 BA	2	—	C	
3156	31Q1875	FAIRLEAD, ON REAR PRESSURE BULKHEAD, GROUP	2	—	C	QP14/734
		Consisting of:—				
28D/1010030	A25/7C	Bolt, hex. head, 2 BA	1	—	C	
	316Q1875	Bonding, 4" x 1/2" x 30G	1	L4		
	31aQ1875	Fairlead, half, 1" x 1/2" x 5/8"	2	BSS668		
28M/1012015	AGS2001/C1/66	Washer, 2 BA	1	—	C	
	42Q1875	FAIRLEAD, ON FLEXIBLE PIPES, GROUP	1	—	MR	QP14/735
		Consisting of:—				
28D/1011021	A25/16C	Bolt, hex. head, 2 BA	1	—	C	
	42aQ1875	Fairlead, half, .88" x .5" x 6"	1	BSS668		
	42bQ1875	Fairlead, half, .88" x .5" x 6"	1	BSS668		
28M/1012015	AGS2001/C1/66	Nut, stiff, 2 BA	1	—	C	
28W/9419475	SP15/C	Washer, 2 BA	1	—	C	
	8aQ1492	Fairlead, half, 1.9" x 3/8" x 3/8", on pipes to feed and return blocks	2	BSS668		QP14/736

SERVICES
HYDRAULIC

Ref. No.	Part No.	Description	No. off	Matl. Spec.	Cl. of St.	Plate and Illust'n No.
					M.R.	
		1 2 3 4				
PIPING, NOSE WHEEL UNDERCARRIAGE BAY (Q1875) (Cont'd.)						
27VA/6115901	6/W14/ DAS7013/38	Hose, flexible, door jack, port and stbd.	2	—	B	QP14/737
27VA/6115905	4/W14/ DAS7013/42	Hose, flexible, door jack, starboard	1	—	B	QP14/738
27VA/6115902	4/W14/ DAS7013/35	Hose, flexible, door jack, port	1	—	B	QP14/739
27VA/6115903	G2/W14/DAS 7007/39	Hose, flexible, door jack, port	1	—	B	QP14/739a
27VA/6115904	G2/W14/DAS 7007/45	Hose, flexible, door jack, starboard	1	—	B	
27QM/ 4704652	1.01299.014	Jack, nose wheel retraction	1	—	A	QP14/740
27QM/70921	1.01300.002	(Ref. only. See K2725) Jack, nose u/c door (Pre-Mod. 2391)	2	—	A	QP14/741
27QM/ 1491086 3179	1.01300.003	(Ref. only. See D9456) Jack, nose u/c door (Mod. 2391)	2	—	A	
	3Q1867	PIPE, 1/2" o/d x 18G x 9" LONG, NON- RETURN VALVE TO U/C DOOR SELECTOR VALVE, GROUP	1	DTD503	C	QP14/742
	5Q1867	PIPE, 1/2" o/d x 18G x 36" LONG, TEE- PIECE TO ADAPTOR, GROUP	1	DTD503		QP14/743
	6Q1867	PIPE, 1/2" o/d x 18G x 48" LONG, TEE- PIECE TO ADAPTOR, GROUP	1	DTD503		QP14/744
1433121	20Q1867	PIPE, 1/4" o/d x 22G x 30" LONG, U/C SELECTOR VALVE TO JETTISON VALVE, GROUP (See:—Services—Hydraulic— Brakes)	1	DTD323A	C	
	38Q1867	PIPE, 3/8" o/d x 20G x 12" LONG, TEE- PIECE TO PORT CONNECTOR BLOCK, GROUP	1	DTD503		QP14/745
	39Q1867	PIPE, 3/8" o/d x 20G x 12" LONG, TEE- PIECE TO PORT CONNECTOR BLOCK, GROUP	1	DTD503		QP14/746
1433917	41Q1867	PIPE, 1/4" o/d x 22G x 48" LONG, ADAPTOR TO CONNECTOR BLOCK, GROUP	1	DTD323A	C	QP14/747
	42Q1867	PIPE, 1/4" o/d x 22G x 48" LONG, ADAPTOR TO CONNECTION BLOCK, GROUP	1	DTD323A		QP14/748

SERVICES
HYDRAULIC

Ref. No.	Part No.	Description	No. off	Matl. Spec.	Cl. of St.	Plate and Illust'n No.
					M.R.	
		1 2 3 4				
		PIPING, NOSE WHEEL UNDERCARRIAGE BAY (Q1875) (Cont'd.)				
3181	43Q1867	PIPE, 1/4" o/d x 22G x 36" LONG, U/C SELECTOR VALVE TO ADAPTOR, GROUP	1	DTD323A	C	QP14/749
	46Q1867	PIPE, 1/4" o/d x 22G x 36" LONG, ADAPTOR TO ADAPTOR, GROUP	1	DTD323A		QP14/750
	47Q1867	PIPE, 1/4" o/d x 22G x 36" LONG, BULKHEAD ADAPTOR TO ADAPTOR, GROUP	1	DTD323A		QP14/751
	48Q1867	PIPE, 1/4" o/d x 22G x 24" LONG, FEED BLOCK TO ADAPTOR, GROUP	1	DTD323A		QP14/752
	53Q1867	PIPE, 1/4" o/d x 22G x 90" LONG, ADAPTOR TO ADAPTOR, GROUP	1	DTD323A		QP14/753
	60Q1867	PIPE, 1/4" o/d x 22G x 36" LONG, ADAPTOR TO ADAPTOR, GROUP	1	DTD323A		QP14/754
	61Q1867	PIPE, 1/4" o/d x 22G x 36" LONG, ADAPTOR TO STEERING STOP VALVE, GROUP	1	DTD323A	MR	QP14/755
	62Q1867	PIPE, 1/4" o/d x 22G x 36" LONG, ADAPTOR TO ADAPTOR, GROUP	1	DTD323A		QP14/756
	86Q1867	PIPE, 1/4" o/d x 22G x 36" LONG, ADAPTOR TO ADAPTOR, GROUP	1	L56		QP14/757
	87Q1867	PIPE, 1/4" o/d x 22G x 36" LONG, ADAPTOR TO BULKHEAD ADAPTOR, GROUP	1	L56		QP14/758
3183	88Q1867	PIPE, 1/4" o/d x 22G x 36" LONG, BULKHEAD ADAPTOR TO RETURN BLOCK, GROUP	1	L56	C	QP14/759
	89Q1867	PIPE, 1/4" o/d x 22G x 36" LONG, ADAPTOR TO BULKHEAD ADAPTOR, GROUP	1	DTD323A		QP14/760
	96Q1867	PIPE, 1/4" o/d x 22G x 43" LONG, BULKHEAD ADAPTOR TO ADAPTOR, GROUP	1	DTD323A	MR	QP14/761
3147	115Q1867	PIPE, 1/4" o/d x 22G x 24" LONG, TEE-PIECE TO BULKHEAD ADAPTOR, GROUP	1	DTD323A	C	QP14/762
	117Q1867	PIPE, 1/4" o/d x 22G x 36" LONG, TEE-PIECE TO ADAPTOR, GROUP	1	DTD323A	MR	QP14/763
3186	119Q1867	PIPE, 1/4" o/d x 22G x 48" LONG, U/C SELECTOR VALVE TO ADAPTOR, GROUP	1	DTD323A	C	QP14/764

SERVICES
HYDRAULIC

Ref. No.	Part No.	Description	No. off	Matl. Spec.	Cl. of St.	Plate and Illust'n No.
					M.R.	
		1 2 3 4				
		PIPING, NOSE WHEEL UNDERCARRIAGE BAY (Q1875) (Cont'd.)				
3187	121Q1867	PIPE, 3/8" o/d x 20G x 24" LONG, VENT, FROM JETTISON VALVE, GROUP	1	L56	C	QP14/765
1433165	123Q1867	PIPE, 3/8" o/d x 20G x 36" LONG, TEE-PIECE TO JETTISON VALVE, GROUP (See:— Services—Hydraulic—Brakes)	1	DTD503	C	
	125Q1867	PIPE, 1/2" o/d x 18G x 24" LONG, ADAPTOR TO TEE-PIECE, GROUP	1	DTD503	MR	QP14/766
	128Q1867	PIPE, 1/4" o/d x 22G x 48" LONG, SELECTOR VALVE TO ADAPTOR, GROUP	1	L56	MR	QP14/767
	129Q1867	PIPE, 1/4" o/d x 22G x 36" LONG, SELECTOR VALVE TO TEE-PIECE, GROUP	1	DTD323A	MR	QP14/768
	131Q1867	PIPE, 1/4" o/d x 22G x 36" LONG, ADAPTOR TO SELECTOR VALVE, GROUP	1	DTD323A	MR	QP14/769
3185	133Q1867	PIPE, 1/2" o/d x 18G x 12" LONG, TEE-PIECE TO U/C DOOR SELECTOR VALVE, GROUP	1	DTD503	C	QP14/770
1433006	134Q1867	PIPE, 3/8" o/d x 20G x 36" LONG, STARBOARD CONNECTOR BLOCK TO TEE-PIECE, GROUP	1	DTD503	C	QP14/771
	135Q1867	PIPE, 3/8" o/d x 20G x 36" LONG, STARBOARD CONNECTOR BLOCK TO TEE-PIECE, GROUP	1	DTD503		QP14/772
	136Q1867	PIPE, 1/2" o/d x 18G x 24" LONG, ADAPTOR TO NON-RETURN VALVE, GROUP	1	DTD503		QP14/773
	16Q2102	PIECE, 1/4" o/d x 22G x 36" LONG, ADAPTOR TO CONTROL VALVE, GROUP	1	DTD323A		QP14/774
	122SS3557	Tee-piece, 3/8" x 1/2" x 3/8" BSP	2	—	MR	QP14/775

VULCAN MK. 2

SERVICES
HYDRAULIC

Ref. No.	Part No.	Description	No. off	Matl. Spec.	Cl. of St.	Plate and Illust'n No.
					M.R.	
		1 2 3 4				
PIPING, NOSE WHEEL UNDER-CARRIAGE BAY (Q1875) (Cont'd)						
77Q	DOWTY C6770Y MK. B	Valve, jettison	1	—	A	QP14/776
27Q/	DOWTY D6406Y	Valve, restrictor	1	—	A	QP14/777
27Q/	DOWTY 1.00982.005	Valve, selector N/W door	1	—	A	QP14/778
27Q/	DOWTY 1.00982.006	Valve, selector N/W jack	1	—	A	QP14/779
27Q/	DOWTY 1.00112.007	Valve, control	1	—	A	QP14/780
27Q/	DOWTY 1.00137.002	Valve, steering stop	1	—	A	QP14/781

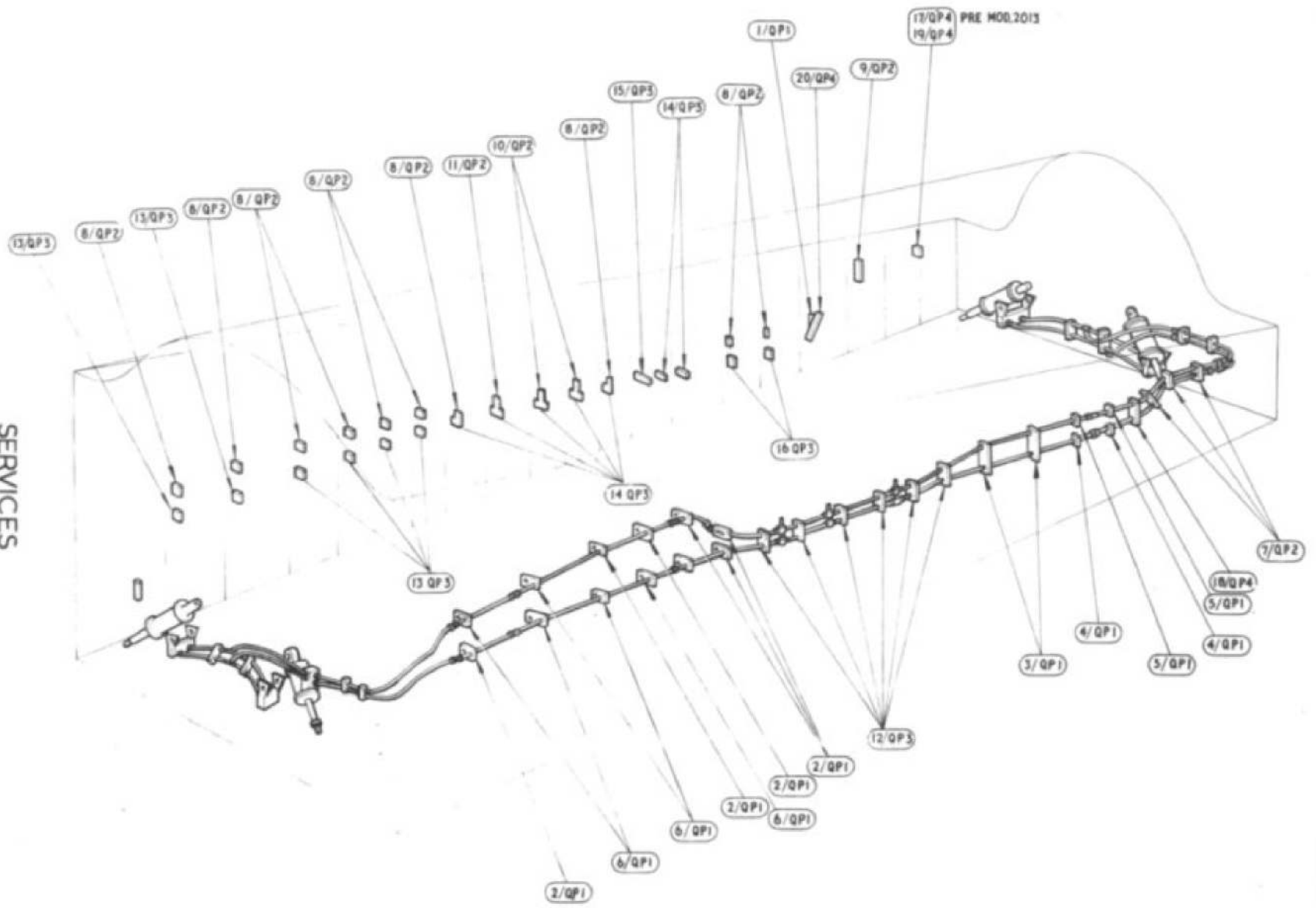
YULCAN Mk. 2

**SERVICES
HYDRAULIC
SUMMARY OF STANDARD ITEMS**

Page QP. 75

Stores Ref.		No. off	Stores Ref.		No. off	Stores Ref.		No. off
Section	Ref. No.		Section	Ref. No.		Section	Ref. No.	
28D	1010030	25	28M	10287	35			
28D	1010142	7	28M	10288	336			
28D	1011019	25						
28D	1011021	5						
28D	1011022	12						
28D	1214311	2						
28D	7002428	18						
28D	9133013	52	28R	13498	1			
28D	9133014	13						
28D	9140639	26						
28D	9140644	47						
28D	9140645	57						
28D	9140648	1						
28D	9140649	1	28W	9419402	150			
28D	9149397	2	28W	9419454	4			
28D	9435710	82	28W	9419465	28			
28D	9435711	4	28W	9419475	184			
28D	9453970	2	28W	9419486	16			
28F	1014970	12						
28F	8011808	4						
28F	8011809	7						
28F	9128952	4						
28F	9140971	3						
28F	9428452	12						
28F	9428453	10						
28F	9428455	16						
28F	9429532	13						
28F	9439104	1						
28F	9439106	1						

SERVICES
HYDRAULIC



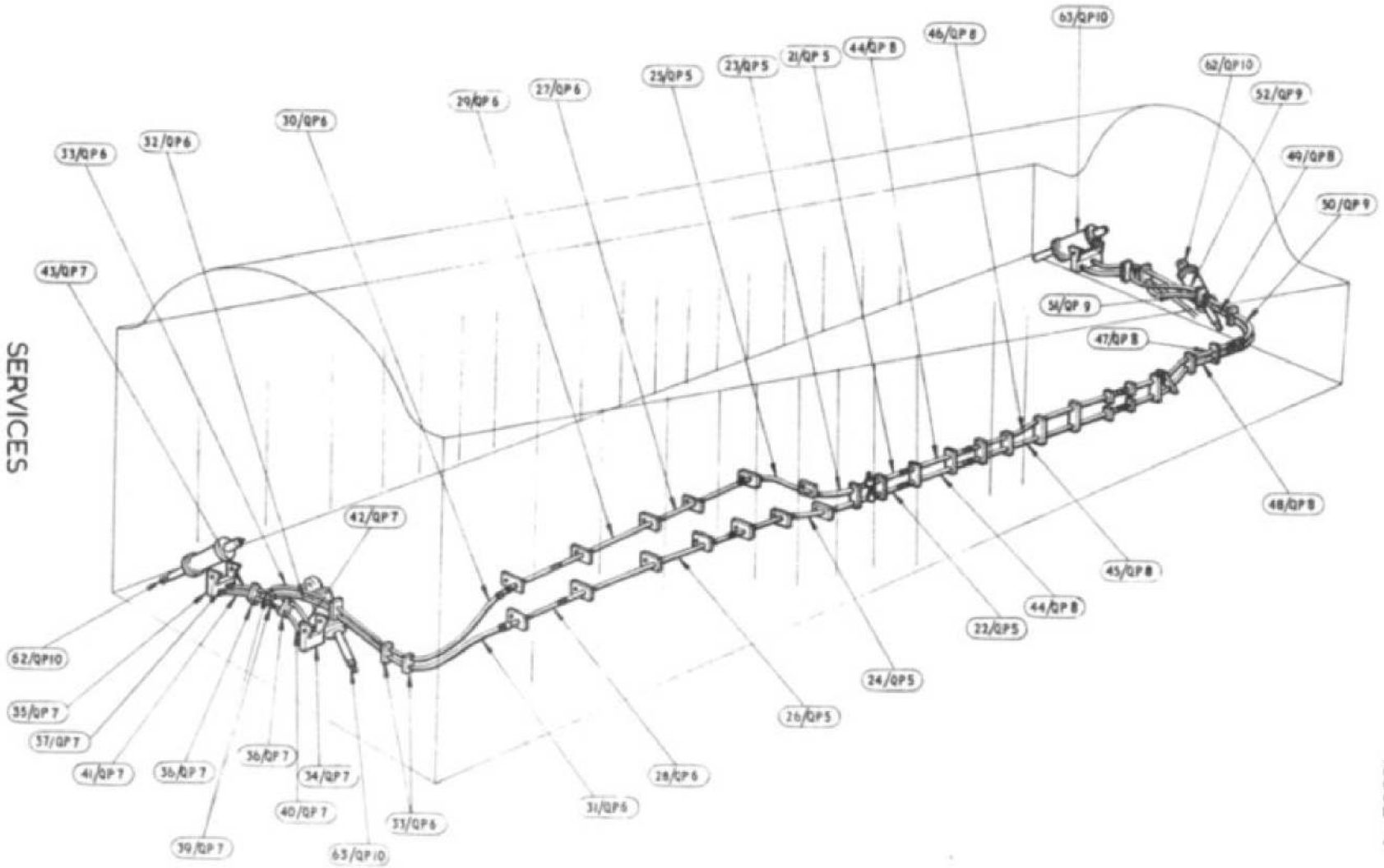
PRE MOD.2013

RESTRICTED

RESTRICTED

RESTRICTED

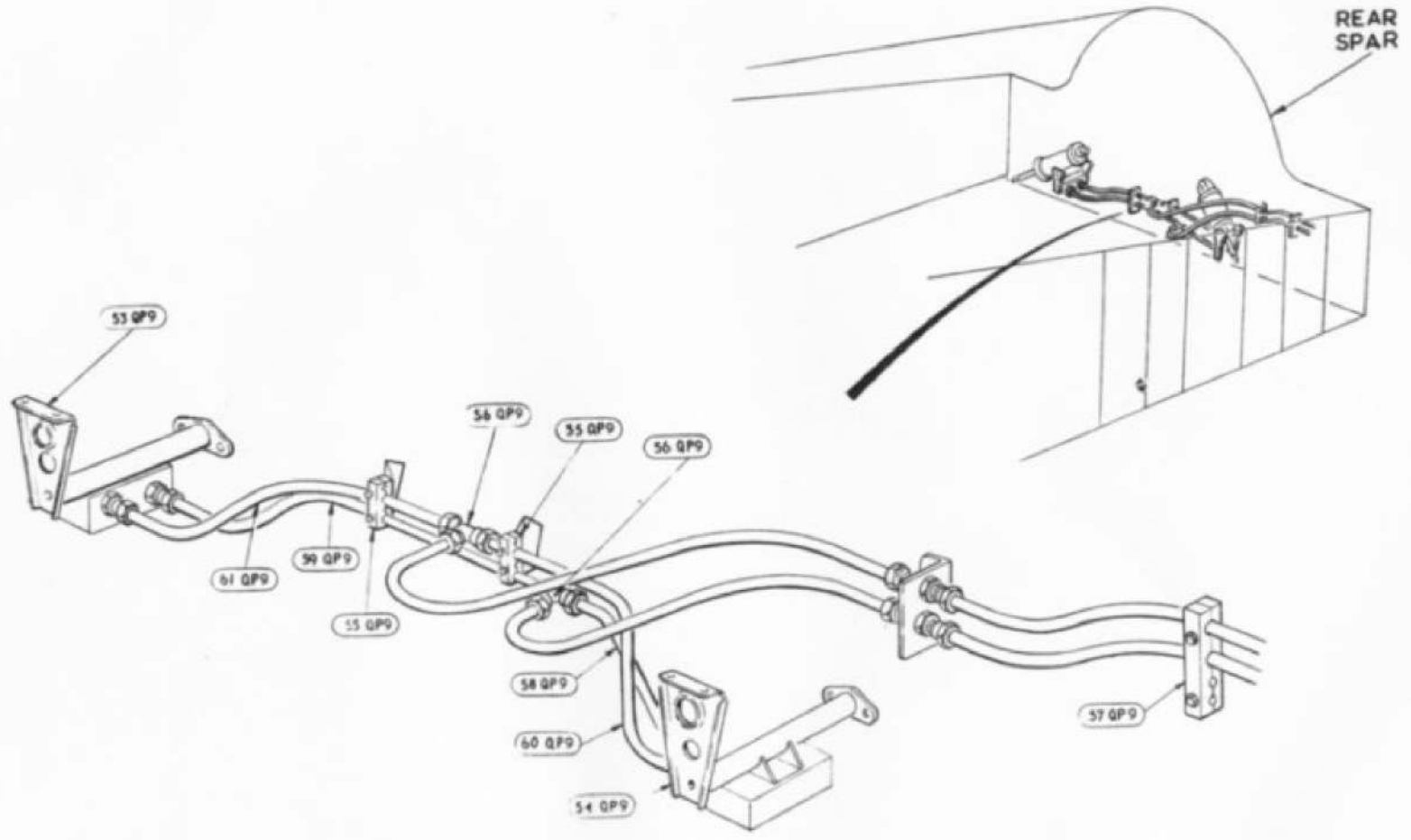
SERVICES
HYDRAULIC



RESTRICTED

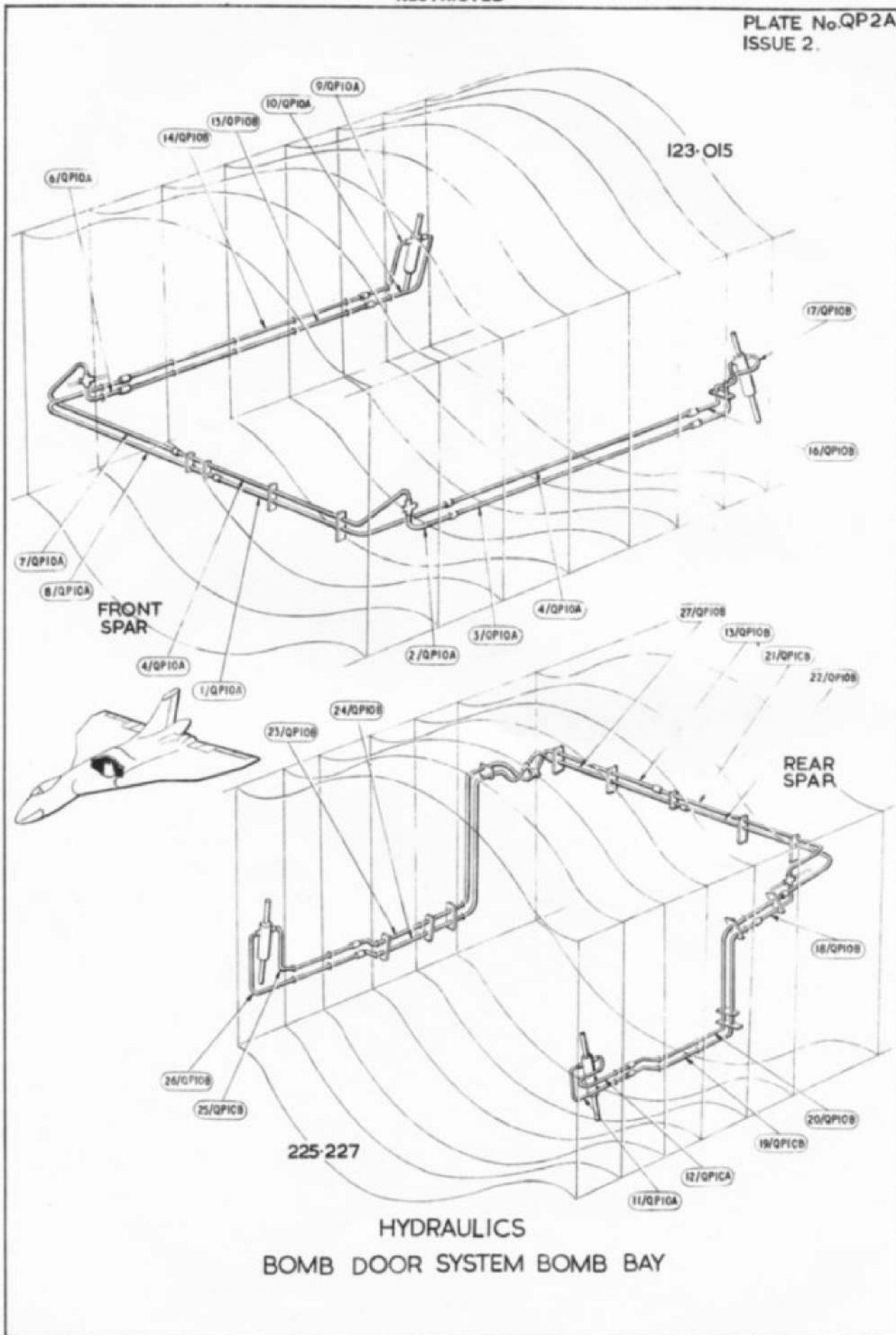
RESTRICTED

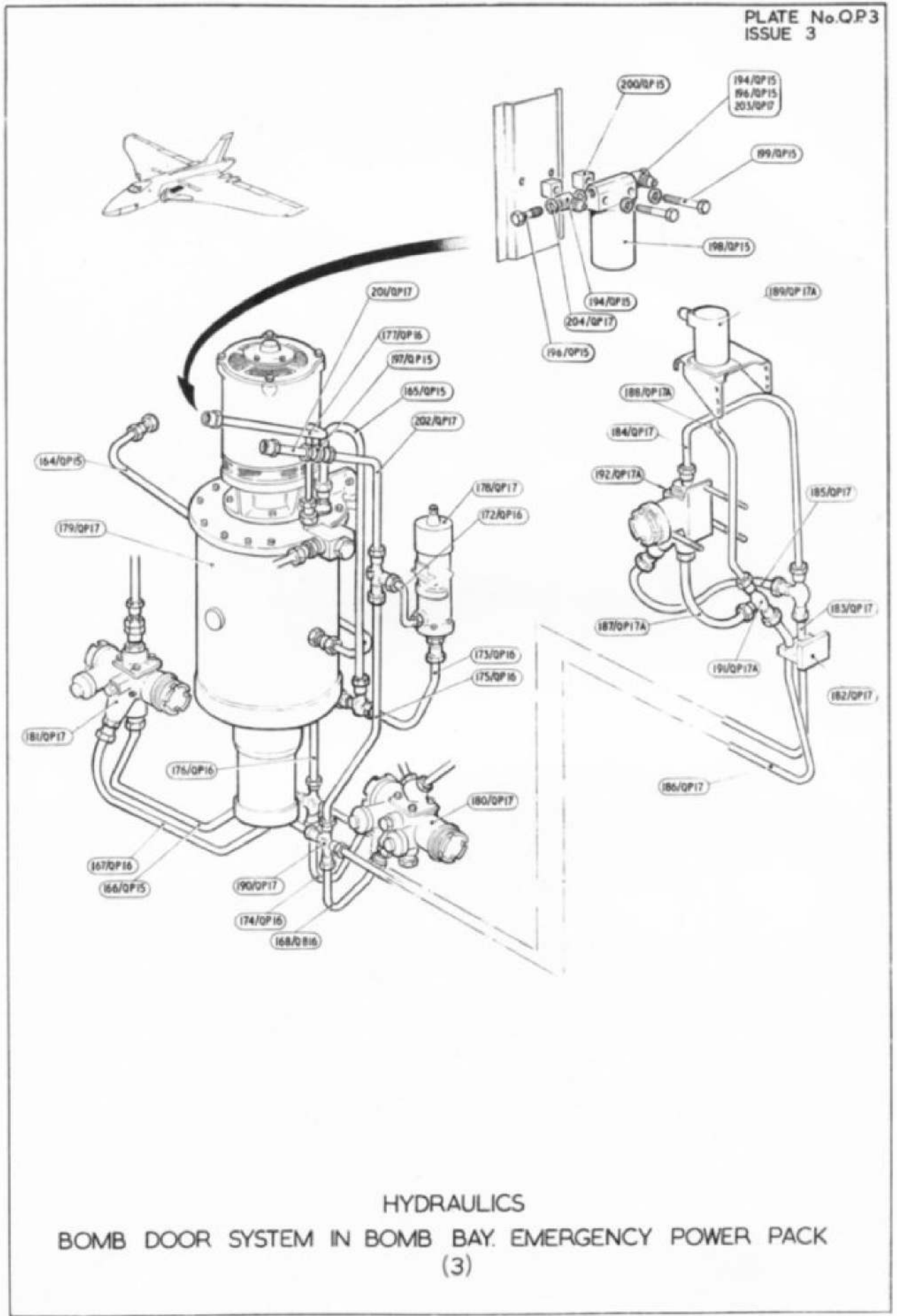
SERVICES
HYDRAULIC



RESTRICTED

PLATE No. OP 2
ISSUE 3

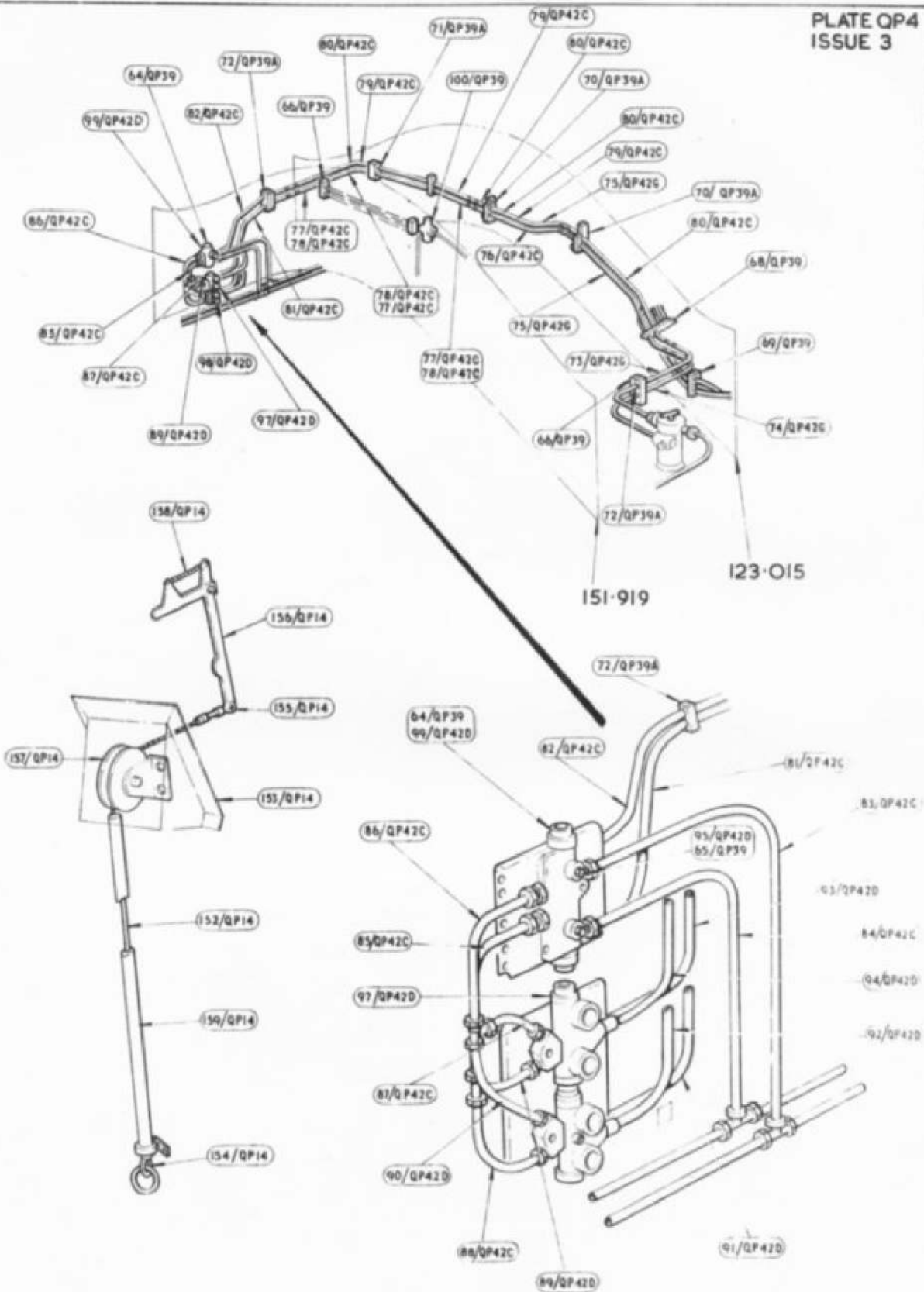




HYDRAULICS
BOMB DOOR SYSTEM IN BOMB BAY EMERGENCY POWER PACK
(3)

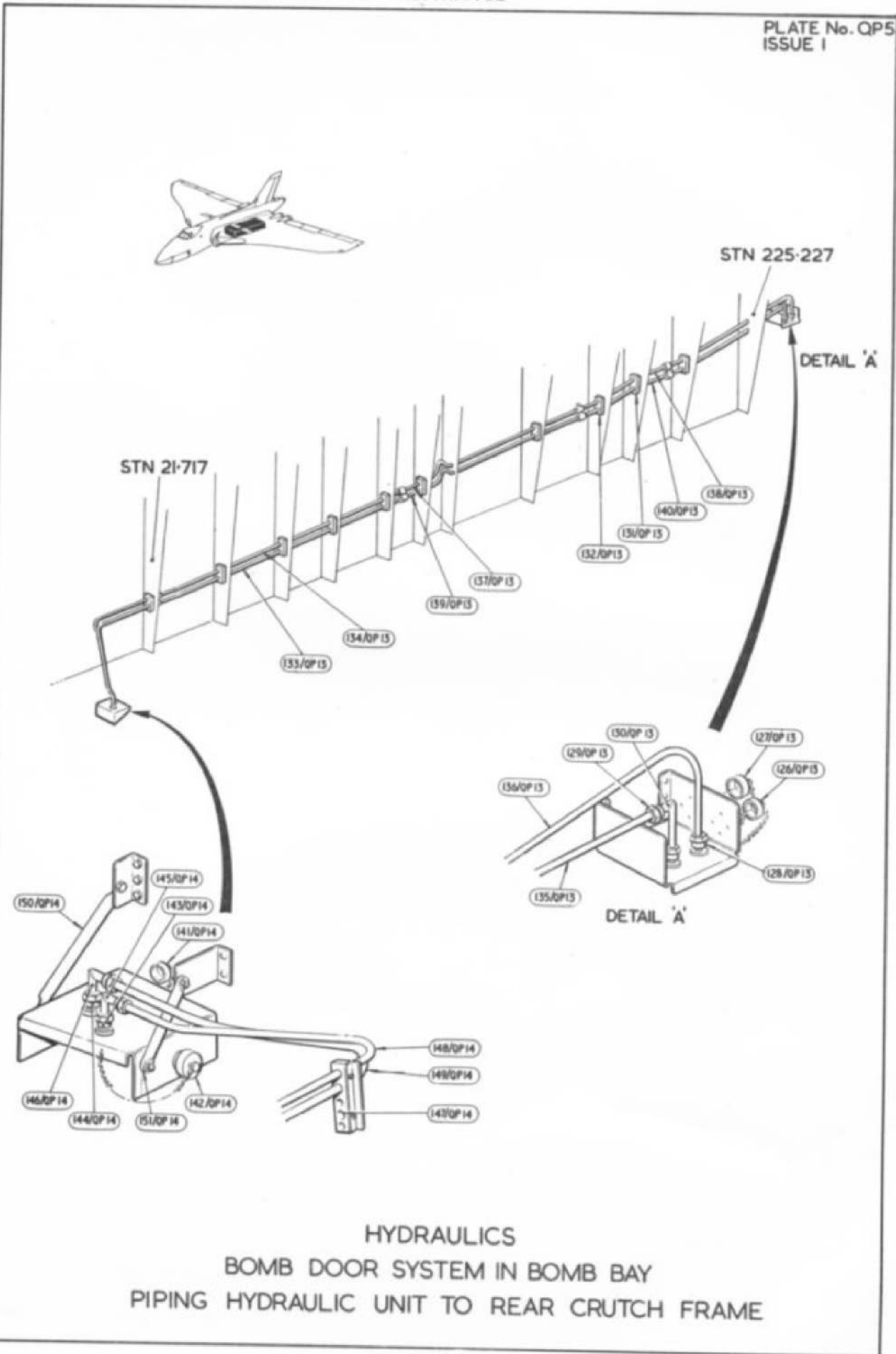
RESTRICTED

PLATE QP4
ISSUE 3



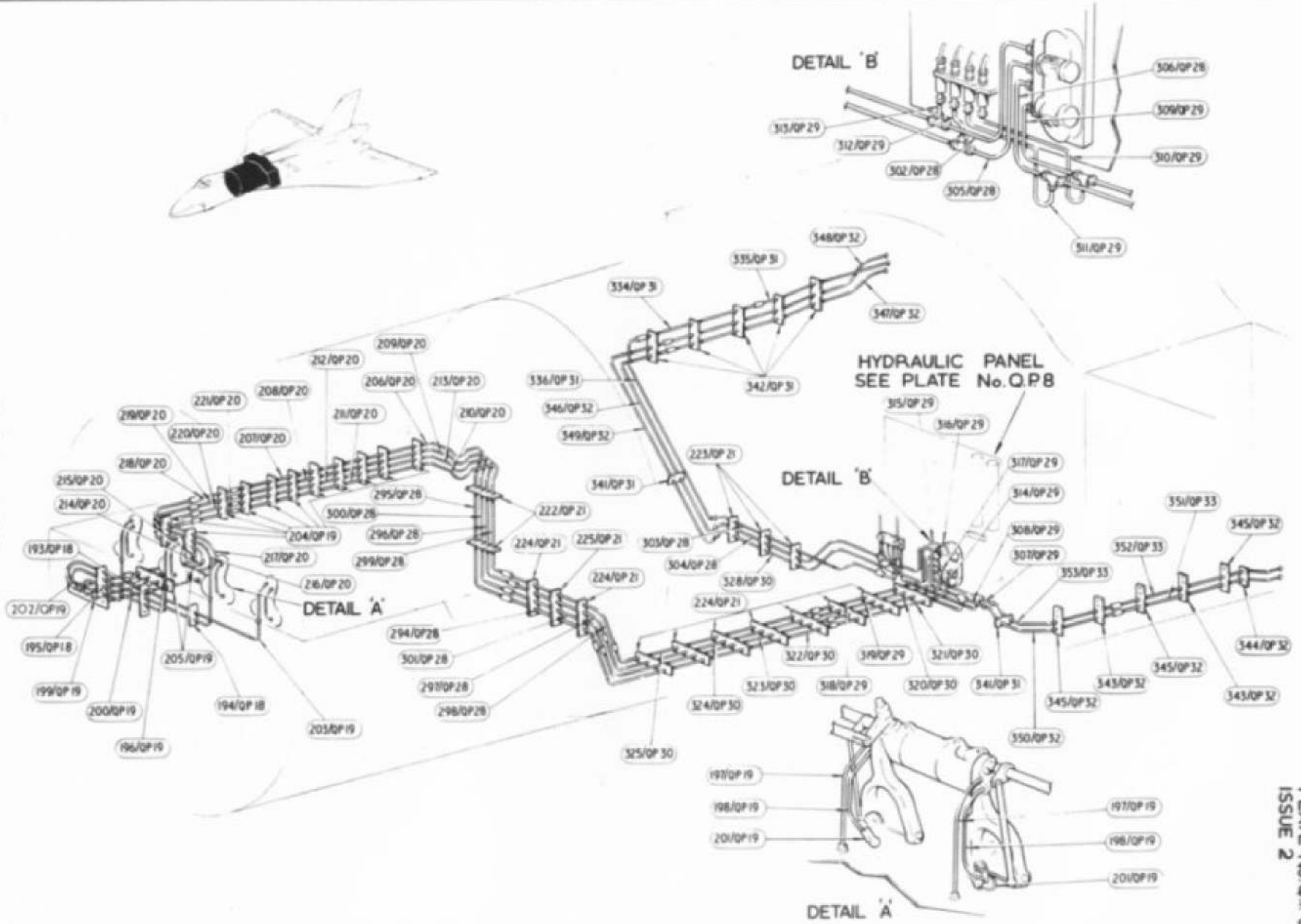
SERVICES
HYDRAULIC

RESTRICTED





HYDRAULICS
MAIN FEED AND RETURN SYSTEM

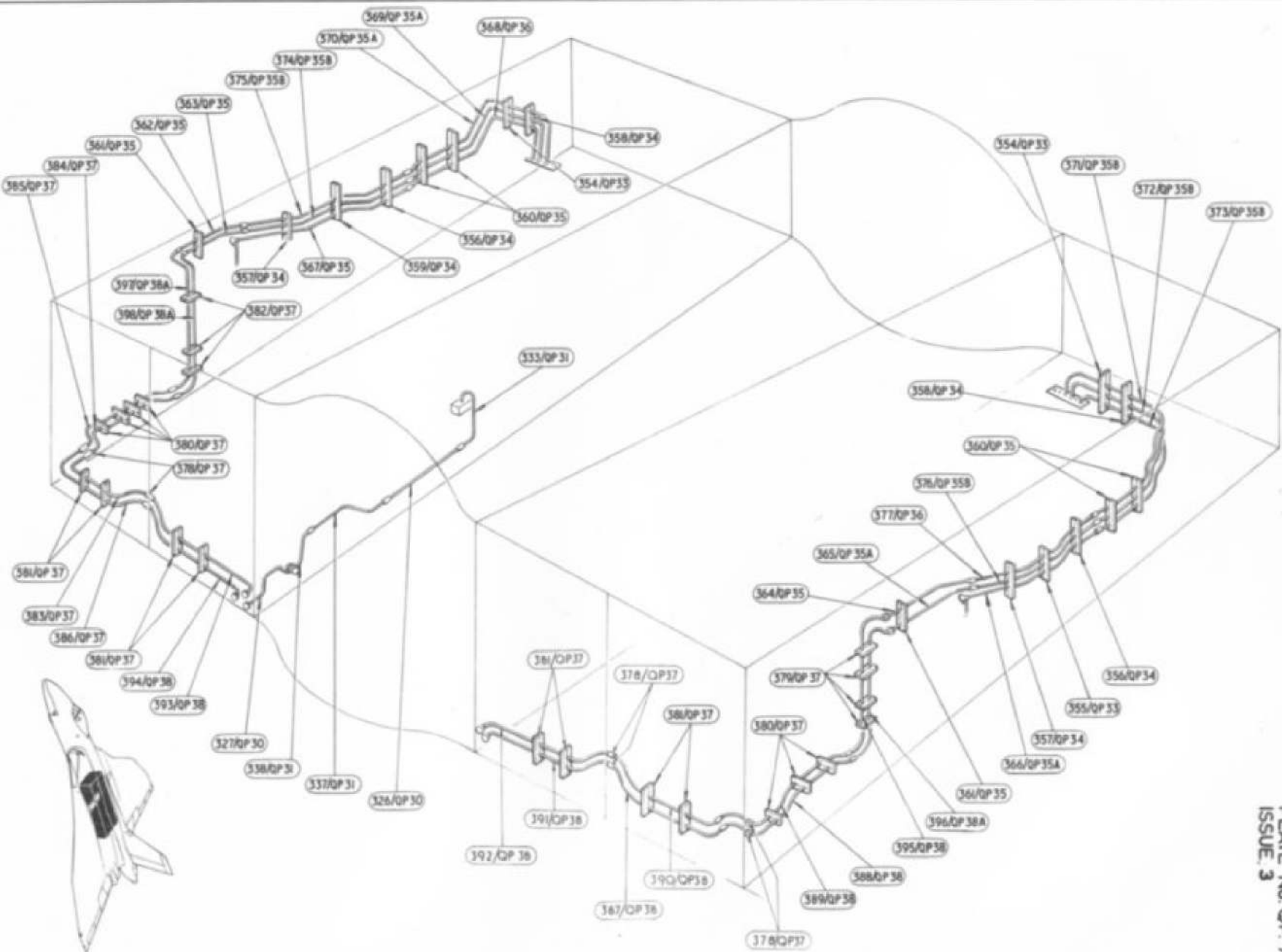


RESTRICTED

RESTRICTED

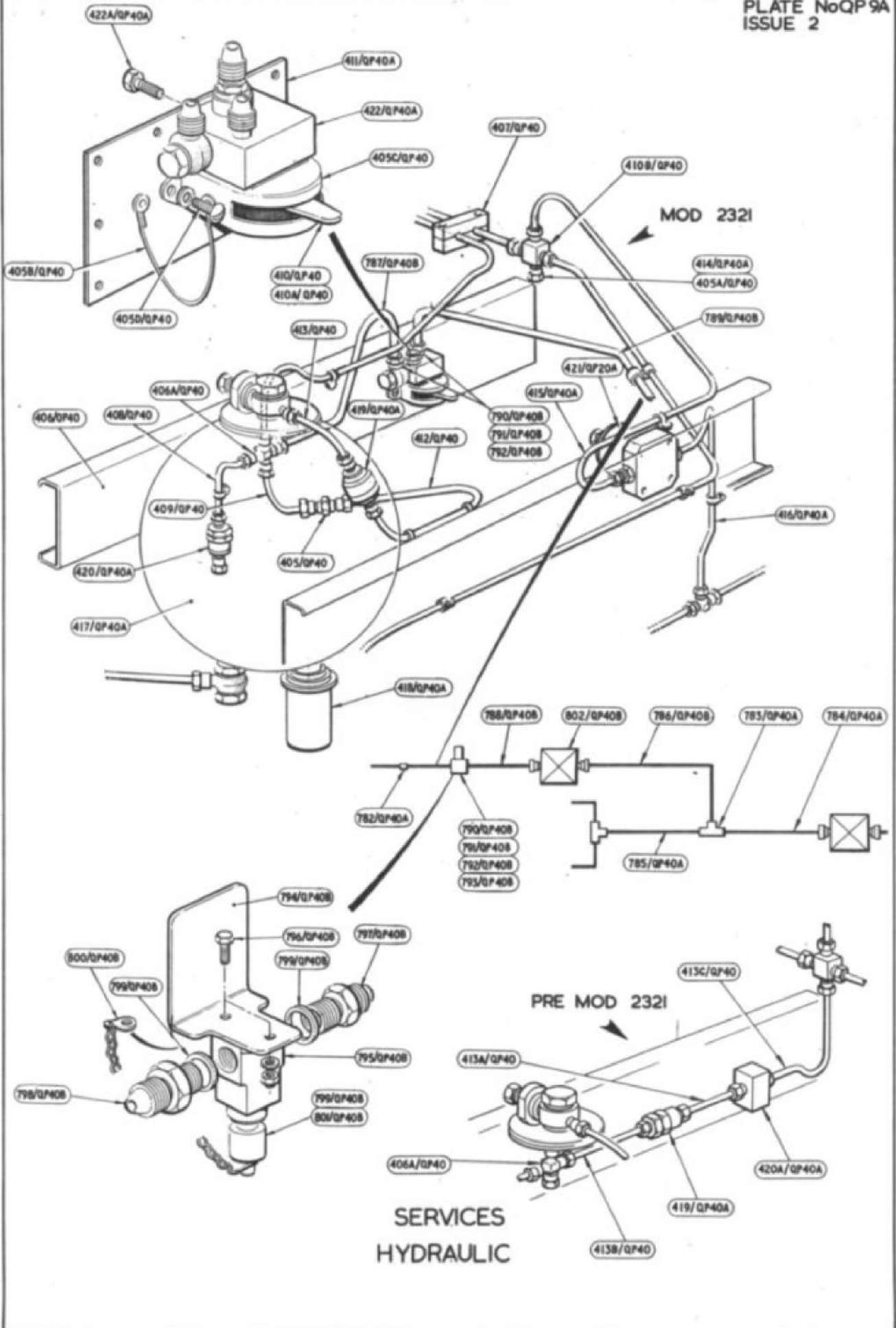
RESTRICTED

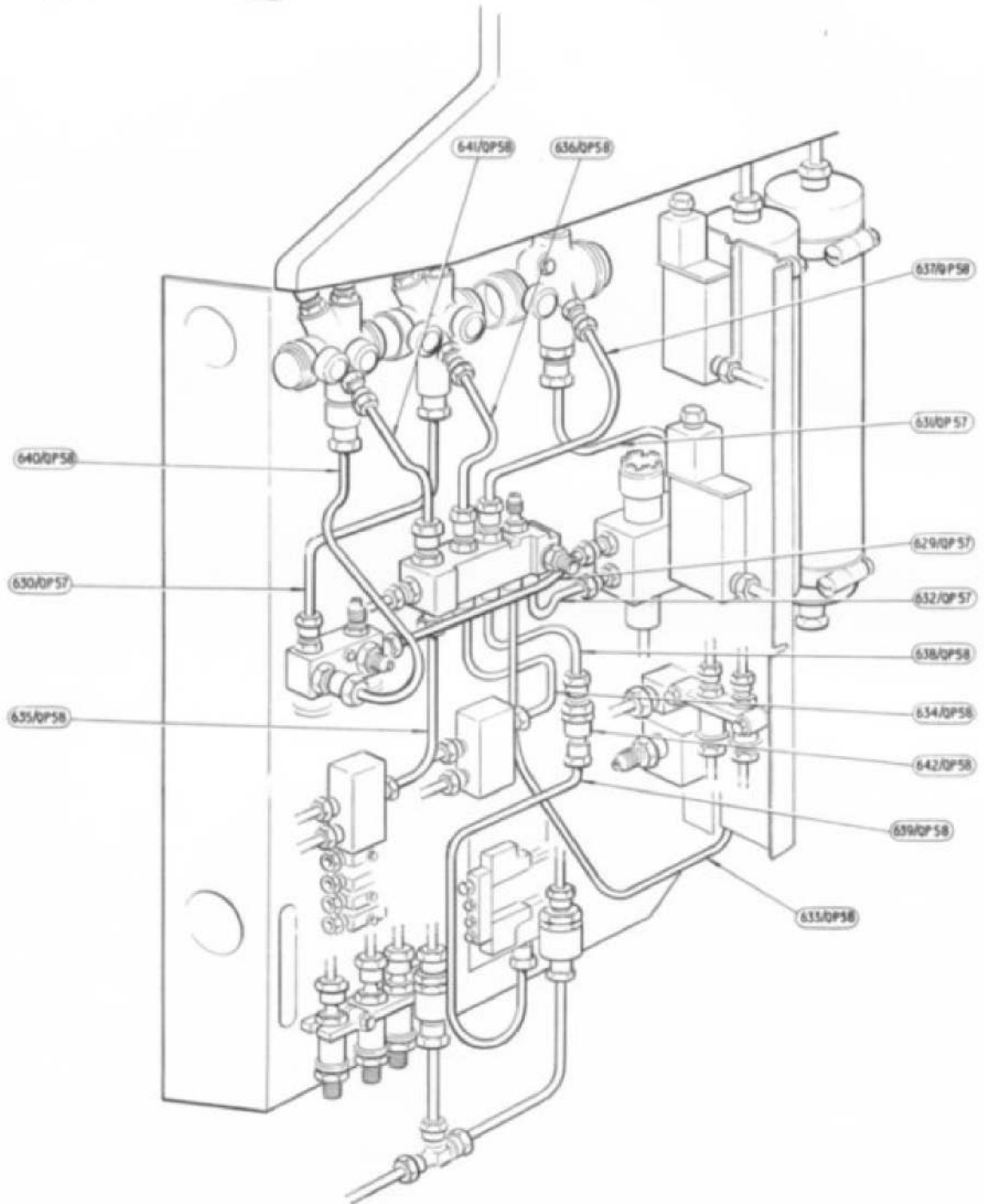
PLATE No. OP 7
ISSUE 3



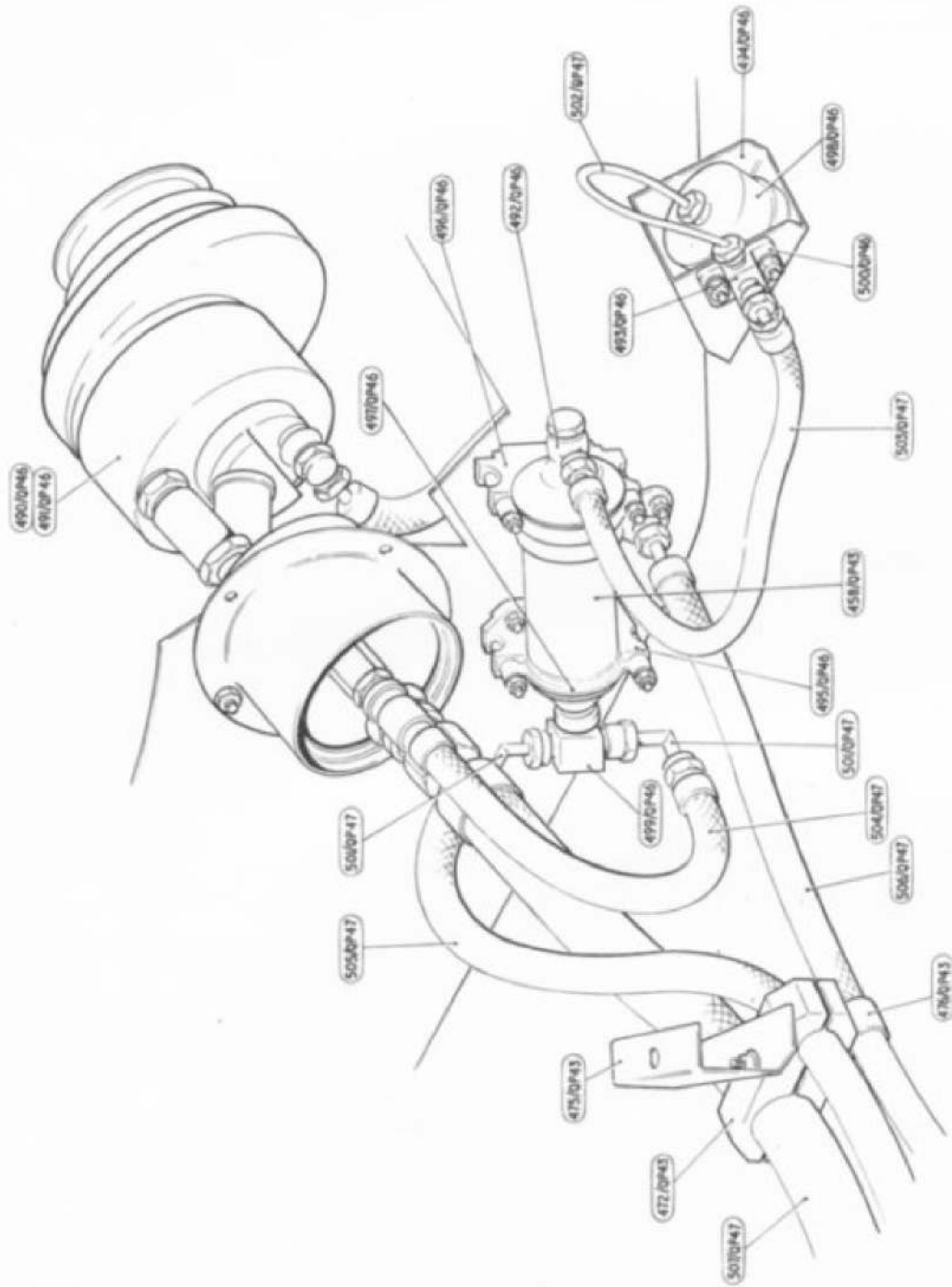
HYDRAULICS
BRAKE SYSTEM—MAIN U/C WHEEL BAYS
(2)

RESTRICTED



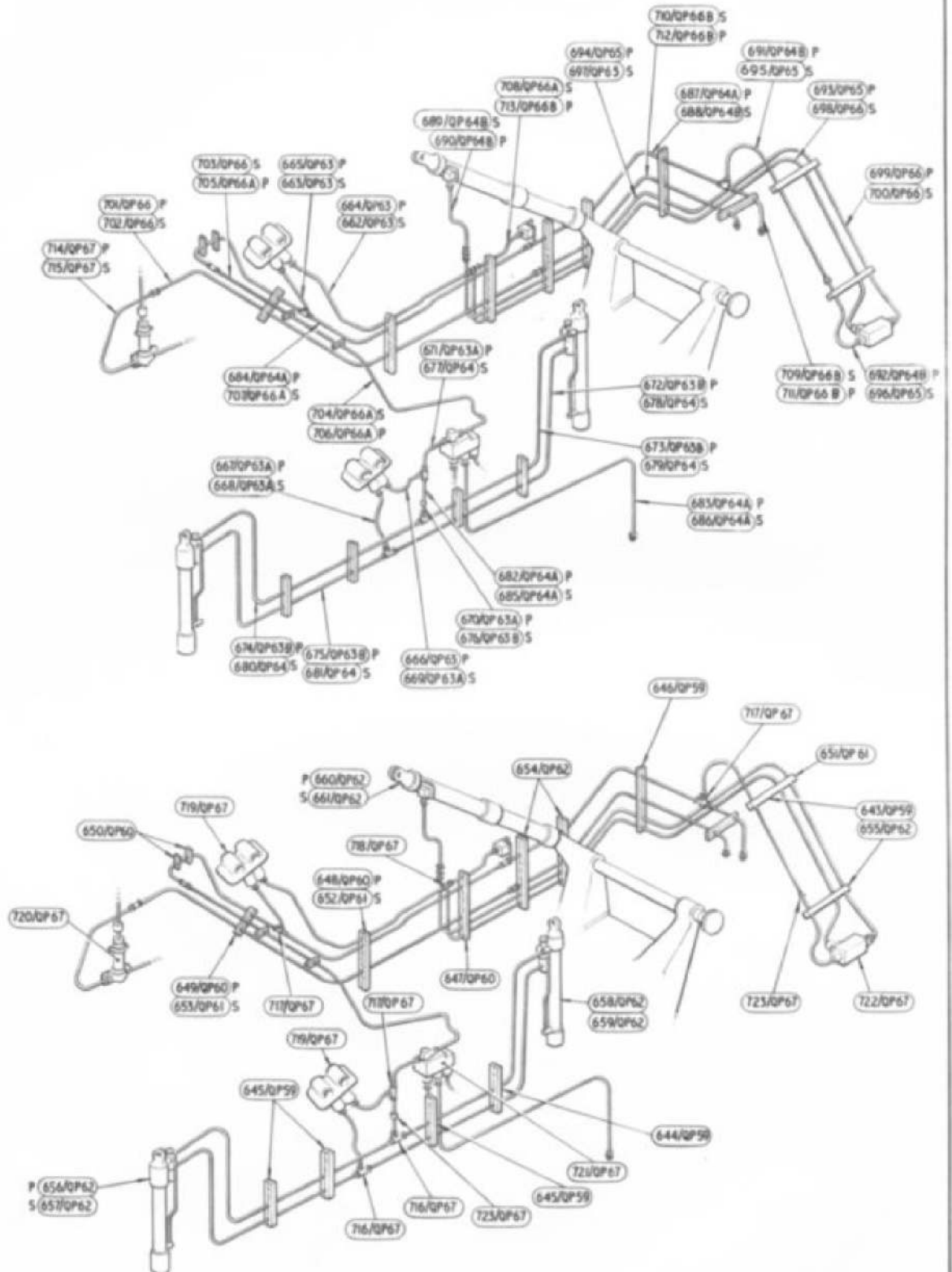


HYDRAULICS
MAIN FEED AND RETURN SYSTEM



HYDRAULIC
MAIN FEED AND RETURN SYSTEM

(4)



HYDRAULICS
MAIN WHEEL, UNDERCARRIAGE BAY

(1)

This file was downloaded
from the RTFM Library.
Link:www.scottbouch.com/rtfm

Please see site for usage terms,
and more aircraft documents.

