

VULCAN Mk. 2

SERVICES
PNEUMATIC

Ref. No.	Part No.	Description	No. off	Matl. Spec.	Cl. of St.	Plate and Illust'n No.
					M.R.	
		PNEUMATIC INSTALLATION Consisting of:— PNEUMATIC SERVICES IN CREW'S NACELLE (Q2214, Q1874, Q10033) Spares for:—				
4435	76SS3553	Adaptor, at former 236"	4	—	MR	QT3/105
13155	63SS3554	Cross-piece, between formers 274" and 288"	1	—	C	QT3/106
26FP/2453	6SS1862	Clip, half	1	—	C	QT3/107
26FP/2721	1SS3859	Clip	6	—	C	QT3/108
20178	2SS3859	Clip	7	—	C	QT3/109
	107SS4095	Clip, half	1	—	C	QT3/110
	13Q1627	FAIRLEAD, FOR PIPES, GROUP	26	—		QT3/111
		Consisting of:—				
28D/1011019	A25/8C	Bolt, 2 BA	1	—	C	
	116Q1992	Bonding, 30G x 3/8" x 4" long	QR	L4		
	11aQ1492	Fairlead, half, 3/8" x 3/8" x 1.40"	2	BSS668		
28M/1012015	AGS2001/C1/66	Nut, stiff	1	—	C	
28W/9419402	SP13/C	Washer, 2 BA	1	—	C	
20182	11Q1874	FAIRLEAD, FOR PIPES, GROUP	1	—	C	QT3/112
		Consisting of:—				
28D/9140648	A25/19C	Bolt	1	—	C	
	2bQ1801	Bonding, 30G x 1/2" x 4" long	1	L4		
	2aQ1801	Fairlead, half, 1/4" x 1/2" x 1-1/8"	2	BSS668		
28M/1012015	AGS2001/C1/66	Nut, stiff	1	—	C	
28W/9419402	SP13/C	Washer, 2 BA	1	—	C	
	2Q1801	FAIRLEAD, FOR PIPES, GROUP	—	—	MR	QT3/113
		Consisting of:—				
28D/9133013	A25/5C	Bolt	1	—	C	
	2bQ1801	Bonding, 30G x 1/2" x 4" long	1	L4		
	2aQ1801	Fairlead, half, 1/4" x 1/4" x 1-1/8"	2	BSS668		
28M/1012015	AGS2001/C1/66	Nut, stiff	1	—	C	
28W/9419402	SP13/C	Washer, 2 BA	1	—	C	
20183	13Q1874	FAIRLEAD, FOR PIPES, GROUP	1	—	C	QT3/114
		Consisting of:—				
28D/9140647	A25/4C	Bolt	1	—	C	
	13bQ1627	Bonding, 30G x 1/2" x 4"	1	—		
	13aQ1627	Fairlead, half, 1.25" x 31" x 5"	2	BSS668		
28M/1012015	AGS2001/C1/66	Nut, stiff	1	—	C	
28W/9419475	SP15/C	Washer, 2 BA	1	—	C	
	15Q1874	FAIRLEAD, FOR PIPES, GROUP	1	—		QT3/115
		Consisting of:—				
	25aZ7741	Clamp, 1.25" x 31" x 5"	1	BSS668		
	25bZ7741	Clamp, 1.25" x 7" x 5"	1	BSS668		
	25eZ7741	Clamp, 1.25" x 31" x 5"	1	BSS668		
	25eZ7741	Bonding	QR	L16		
	25dZ7741	Bonding	QR	L16		
	A25/15C	Bolt	1	—		
26FP/2453	1SS3859	Clip	1	—	C	
28M/9433473	AGS2002/C/1	Nut, thin	1	—	C	
28W/9419454	SP10/C	Washer, thin	1	—	C	

VULCAN Mk. 2		SERVICES					
Page QT. 2		PNEUMATIC					
Ref. No.	Part No.	Description	No. off	Matl. Spec.	Cl. of St.	Plate and Illust'n No.	
					M.R.		
		1	2	3	4		
PNEUMATIC SERVICES IN CREW'S NACELLE (Q2214, Q1874, Q10033) (Cont'd.)							
	8Q1492	FAIRLEAD, FOR PIPES, GROUP	1	—	MR	QT3/116	
		Consisting of:—					
28Q/1011019	A25/8C	Bolt	1	—	C		
	8aQ1492	Fairlead, half	2	—			
28M/1012015	AGS2001/C1/66	Nut	1	—	C		
28W/9419402	SP13/C	Washer	1	—	C		
	11Q1492	FAIRLEAD, FOR PIPES, GROUP	2	—	MR	QT3/116a	
		Consisting of:—					
	A1/8C	Bolt	2	—			
	11aQ1492	Fairlead, half	4	BS668			
28M/1012015	AGS2001/C1/66	Nut, stiff	2	—	C		
	AGS160/C	Washer	2	—			
27VA/ 4625960	DUNLOP AC13324	Jack, pneumatic, canopy release	—	—	A		
		(See Fuselage, Crew Nacelle)					
		MOUNTING, AIR BOTTLES, BETWEEN FORMERS 260" AND 232", PORT (Q1847)	—	—		QT3/117	
		Spares for:—					
6D/9429887	—	Bottle, air	2	—	A	QT3/118	
	7Q1847	STRAP, AIR BOTTLE, GROUP	4	—	MR	QT3/119	
		Spares for:—					
26FP/2005	4SS1944	Crosshead, L.H.	1	—	C		
26FP/1999	3SS1944	Crosshead, R.H.	1	—	C		
15306	4SS1945	Screw, adjusting	1	—	C		
		MOUNTING, STOP VALVE, FOR CANOPY INFLATION (Q1905)	—	—		QT3/120	
		Spares for:—					
	7Q1905	BOX, SAFETY SHUT OFF VALVE, GROUP	1	—	MR	QT3/121	
	6Q1905	Chain, brass, 10" long	1	—		QT3/122	
	8Q1905	Lever, shut-off valve	1	—		QT3/123	
27VA/ 4625774	DUNLOP AC1071	Valve, shut-off	1	—	A	QT3/124	
	DUNLOP G6/W2/ 101/8/8/17	Pipe, flexible, for door jack	2	—		QT3/125	
27VA/ 1503391	DUNLOP G6/W2/ 101/8/8/12	Pipe, flexible, for door jack	2	—	C	QT3/126	
27VA/ 4626246	DUNLOP G2/W3/ 101/8/8/10	Pipe, flexible, adaptor, at frame 218	1	—	C	QT3/127	
		(Mod. 624) (Pre-Mod. 2412)					
27VA/ 6115979	DUNLOP G2/W2/101 /8/10/12.3	Pipe, flexible (Mod. 2412)	1	—	C		

SERVICES
PNEUMATIC

Ref. No.	Part No.	Description	No. off	Matl. Spec.	Cl. of	Plate and Illust'n No.
					St. M.R.	
			1	2	3	4
		PNEUMATIC SERVICES IN CREW'S NACELLE (Q2214, Q1874, Q10033) (Contd.)				
	19Q2214	PIPE, 3/16" o/d x 22G x 50" LONG, APPROX, UNION AFT OF FORMER 344" TO ELBOW AND ADAPTOR IN LINE TO ANTI-ICING, STARBOARD, GROUP	1	L56		QT3/128
	20Q2214	PIPE, 3/16" o/d x 22G x 40" LONG, APPROX, UNION AFT OF FORMER 344" TO UNION AFT OF FORMER 330", STARBOARD, GROUP	1	L56		QT3/129
7376	21Q2214	PIPE, 1/4" o/d x 22G x 96" LONG, APPROX, UNION AFT OF FORMER 330" TO PRESSURE MAINTAINING VALVE AFT OF FORMER 232", STARBOARD, GROUP	1	L56	C	QT3/130
	2Q1944	PIPE, 1/4" o/d x 22G x 12" LONG, APPROX, PRESSURE MAINTAINING VALVE TO TEE-PIECE AFT OF FORMER 218", GROUP	1	L56		QT3/131
	4Q1944	PIPE, 1/4" o/d x 22G x 60" LONG, APPROX, TEE-PIECE TO SHUT OFF VALVE, GROUP	1	L56	MR	QT3/132
	38Q1871	PIPE, 1/4" o/d x 22G x 30" LONG, APPROX, SHUT OFF VALVE TO CHARGING VALVE, GROUP	1	L56		QT3/133
11102	24Q1944	PIPE, 1/4" o/d x 22G x 17" LONG, APPROX, CHARGING VALVE TO PRESSURE REDUCING VALVE, GROUP	1	L56	C	QT3/134
9774	12Q1871	PIPE, 1/4" o/d x 22G x 66" LONG, APPROX, PRESSURE REDUCING VALVE TO AIR BOTTLE (CLOSE), GROUP	1	L56	C	QT3/135
	5Q1944	PIPE, 1/4" o/d x 22G x 72" LONG, APPROX, TEE-PIECE TO TEE-PIECE, FORWARD AND AFT OF FORMER 218", GROUP	1	L56	MR	QT3/136
	7Q1944	PIPE, 1/4" o/d x 22G x 12" LONG, APPROX, TEE-PIECE TO SEQUENCE VALVE, STARBOARD, GROUP	1	L56	MR	QT3/137
10851	6Q1944	PIPE, 1/4" o/d x 22G x 24" LONG, APPROX, TEE-PIECE FORWARD OF FORMER 218" TO PRESSURE REDUCING VALVE, GROUP	1	L56	C	QT3/138
	10Q1944	PIPE, 1/4" o/d x 22G x 12" LONG, APPROX, PRESSURE REDUCING VALVE TO TEE PIECE FORWARD OF FORMER 218", GROUP	1	L56		QT3/139

SERVICES
PNEUMATIC

Ref. No.	Part No.	Description	No. off	Matl. Spec.	Cl. of St.	Plate and Illust'n No.
					M.R.	
		1 2 3 4				
		PNEUMATIC SERVICES IN CREW'S NACELLE (Q2214, Q1874, Q10033) (Contd.)				
	11/Q1944	PIPE, 1/4" o/d x 22G x 24" LONG, APPROX., TEE-PIECE FORWARD OF FORMER 218" TO PORT SEQUENCE VALVE, GROUP	1	L56	MR	QT3/140
7742	9/Q1944	PIPE, 1/4" o/d x 22G x 36" LONG APPROX., BETWEEN AFT SEQUENCE VALVES, GROUP	1	L56	C	QT3/141
10835	8/Q1944	PIPE, 1/4" o/d x 22G x 108" LONG, APPROX., STARBOARD SEQUENCE VALVE TO TEE-PIECE AFT OF FORMER 260", GROUP	1	L56	C	QT3/142
9927	21/Q1871	PIPE, 1/4" o/d x 22G x 12" LONG, APPROX., TEE-PIECE AFT OF FORMER 260" TO STARBOARD DOOR JACK, GROUP	1	L56	C	QT3/143
9926	15/Q1871	PIPE, 1/4" o/d x 22G x 12" LONG, APPROX., TEE-PIECE AFT OF FORMER 260" TO PORT DOOR JACK, GROUP	1	L56	C	QT3/144
	10/Q1871	PIPE, 1/4" o/d x 22G x 36" LONG, APPROX., BOTTLE (OPEN) TO PRESSURE REDUCING VALVE AFT OF FORMER 260", GROUP	1	L56	MR	QT3/145
	76/Q1944	PIPE, 1/4" o/d x 22G x 52" LONG, APPROX., PRESSURE REDUCING VALVE TO CHARGING VALVE AFT OF FORMER 288", GROUP (Mod. 624)	1	L56		QT3/146
20176	7/Q1871	PIPE, 1/4" o/d x 22G x 24" LONG, APPROX., CHARGING VALVE TO ENTRANCE DOOR SEQUENCE VALVE, GROUP	1	L56	C	QT3/141
	42Q2214	PIPE, 1/4" o/d x 22G x 60" LONG, APPROX., CROSS PIECE AFT OF FORMER 288" TO UNION AFT OF FORMER 316", GROUP (Mod. 1168)	1	L56	MR	QT3/148
	64/Q1944	PIPE, 1/4" o/d x 22G x 28" LONG, APPROX., BETWEEN UNIONS FORWARD AND AFT OF FORMER 316", PORT, GROUP	1	L56	MR	QT3/149
	11/Q2214	PIPE, 1/4" o/d x 22G x 53" LONG, APPROX., BETWEEN UNIONS FORWARD AND AFT OF FORMER 316", STARBOARD, GROUP	1	L56		QT3/150
	75/D10368	PIPE, 3/16" o/d x 22G x 45" LONG, APPROX., UNIVALVE TO CANOPY JACK, GROUP	1	L56		QT3/151
	32/Q1944	PIPE, 1/4" o/d x 22G x 93" LONG, APPROX., UNION AFT OF FORMER 316" TO VALVE, STARBOARD, GROUP	1	L56	C	QT3/152

SERVICES
PNEUMATIC

Ref. No.	Part No.	Description	No. off	Matl. Spec.	Cl. of	Plate and Illust'n No.
					Sc. M.R.	
		1 2 3 4				
		PNEUMATIC SERVICES IN CREW'S NACELLE (Q2214, Q1874, Q10033) (Cont'd)				
9343	11Q1871	PIPE, 1/4" o/d x 22G, BOTTLE (OPEN) TO ADAPTOR IN LINE TO CANOPY SEAL, GROUP (Pre-Mod. 748)	1	L56	C	
16119	43Q2214	PIPE, 1/4" o/d x 22G, BOTTLE (OPEN) TO ADAPTOR IN LINE TO CANOPY SEAL, GROUP (Mod. 1222)	1	L56	C	QT3/153
	20Q1944	PIPE, 3/16" o/d x 22G, BY-PASS VALVE TO UNION AFT OF FORMER 216", GROUP (Pre-Mod. 748)	1	L56		
16116	45Q2214	PIPE, 3/16" o/d x 22G, BY-PASS VALVE TO UNION AFT OF FORMER 216", GROUP (Mod. 1222)	1	L56	C	QT3/154
	21Q1944	PIPE, 3/16" x 22G, BETWEEN UNIONS AFT OF FORMER 218" IN LINE TO BY-PASS VALVE, GROUP (Pre-Mod. 748)	1	L56		
16117	46Q2214	PIPE, 3/16" o/d x 22G, BETWEEN UNIONS AFT OF FORMER 218" IN LINE TO BY-PASS VALVE, GROUP (Mod. 1222)	1	L56	C	QT3/155
	18Q1944	PIPE, 3/16" o/d x 22G, UNION AFT OF FORMER 218" TO TEE-PIECE AFT OF FORMER 246", GROUP	1	L56	MR	QT3/156
7737	26Q1871	PIPE, 1/4" o/d x 22G, TEE-PIECE AFT OF FORMER 246" TO RESTRICTOR, GROUP	1	L56	C	QT3/157
	24Q1871	PIPE, 1/4" o/d x 22G, RESTRICTOR TO TEE-PIECE FORWARD OF FORMER 246", GROUP	1	L56	-	QT3/158
	17Q1944	PIPE, 3/16" o/d x 22G, TEE-PIECE FWD, OF FORMER 246" TO UNION AFT OF FORMER 218", GROUP	1	L56	MR	QT3/159
	22Q1944	PIPE, 3/16" o/d x 22G, UNION TO UNION AFT OF FORMER 218", GROUP (Pre-Mod. 748)	1	L56		
16118	47Q2214	PIPE, 3/16" o/d x 22G, UNION TO UNION, AFT OF FORMER 218", GROUP (Mod. 1222)	1	L56	C	QT3/160

SERVICES
PNEUMATIC

Ref. No.	Part No.	Description	No. off	Matl. Spec.	Cl. of St.	Plate and Illust'n No.
					M.R.	
		1 2 3 4				
		PNEUMATIC SERVICES IN CREW'S NACELLE (Q2214, Q1874, Q10033) (Cont'd.)				
	19Q1944	PIPE, 3/16" o/d x 22G, UNION TO BY-PASS VALVE, GROUP (Pre-Mod. 748)	1	L56		
16120	44Q2214	PIPE, 3/16" o/d x 22G, UNION TO BY-PASS VALVE, GROUP (Mod. 1222)	1	L56	C	QT3/161
	42Q1871	PIPE, 1/4" o/d x 22G, TEE-PIECE AFT OF FORMER 246" TO TEE-PIECE IN LINE TO DOOR JACKS, GROUP	1	L56		QT3/162
	22Q1871	PIPE, 1/4" o/d x 22G, TEE-PIECE FORMER OF FORMER 246" TO STARBOARD DOOR JACK, GROUP	1	L56	MR	QT3/163
	14Q1871	PIPE, 1/4" o/d x 22G, TEE-PIECE AFT OF FORMER 260" TO PORT DOOR JACK, GROUP	1	L56		QT3/164
17519	6Q1871	PIPE, 1/4" o/d x 22G, TEE-PIECE FORWARD OF FORMER 246" TO ENTRANCE DOOR SEQUENCE VALVE, GROUP	1	L56	C	QT3/165
	DUNLOP GDC/100A/10	Pipe, flexible pneumatic ram to adaptor, at former 218	1	—		
	77Q1944	PIPE, 1/4" o/d x 22G, TEE-PIECE TO PRESSURE REDUCING VALVE, GROUP	1	L56	MR	
	79Q1944	PIPE, 3/16" o/d x 22G, UNIMATIC VALVE TO TEE-PIECE, GROUP	1	L56		
	80Q1944	PIPE, 3/16" o/d x 22G, ADAPTOR AT FORMER 218 TO UNIMATIC VALVE, GROUP	1	L56	MR	

VULCAN Mk. 2

SERVICES
PNEUMATIC

Page QT. 6A

Ref. No.	Part No.	Description	No. off	Matl. Spec.	Cl. of	Plate and Illust'n No.
					St. M.R.	
		1 2 3 4				
PNEUMATIC SERVICES IN CREW'S NACELLE (Q2214, Q1874, Q10033) (Cont'd)						
PIPING SERVICES TO T4 BOMB SIGHT (Q2215, Q1874)						
Spares for:—						
20184	15/SS4234/BJ	Cap, half, 2-1/16" dia. x 1.5" long	1	—	C	QT4/166
20185	4/SS4234/BJ	Cap, half, 2-1/16" dia. x 4" long	1	—	C	QT4/167
7950	AS11/SS4234	Cap, half, 1-5/8" dia. x 1.1" long	1	—	C	QT4/168
20186	4/SS4234/AS	Cap, half, 1-5/8" dia. x 4" long	1	—	C	QT4/169
26FP/2721	2SS3859	Clip	12	—	C	QT4/170
5K/1037288	AS4525/4	Clip	4	—	C	QT4/171
	28SS3863	Clip	2	—	MR	QT4/172
9193	4SS3859	Clip	3	—	C	QT4/173
3437	13Q1879	FAIRLEAD, ON AFT TIE-ROD, GROUP ..	1	—	C	QT4/174
20187	7Q2075	FAIRLEAD, ON FORMERS 218"-232" ... AND REAR PRESSURE BULKHEAD, GROUP	3	—	C	QT4/175
20188	3Q2215	FAIRLEAD, AT FORMER 316", GROUP .	1	—	C	QT4/176
	13Q2215	FAIRLEAD, AT FORMER 288", GROUP .	1	—	MR	QT4/177
26FP/2724	13Q1627	FAIRLEAD, FORMERS 288"-218",	2	—	C	QT4/178
	11Q1492	FAIRLEAD, FORWARD OF FORMER ... 218", GROUP	1	—	MR	QT4/179
6A/2685	—	Gauge, pressure, Mk. 14.B	1	—	C	QT4/180
6A/1037413	—	Label	1	—	C	QT4/181
MOUNTING FOR AIR BOTTLE						
(1Z10083)						
Spares for:—						
6D/9429887	—	Bottle, air (Complete with tee,	1	—	A	
6D/9429881)						
28D/1011022	A25/18C	Bolt	4	—	C	
28D/9140648	A25/19C	Bolt	8	—	C	
	AY7/SS4234	Clip, half, outer	6	—	C	
26TA/10110	AY10/SS4234	Clip, half, inner	6	—	C	
28M/1012015	AGS2001/C1/66	Nut	12	—	C	
28W/9419402	SP13/C	Washer	12	—	C	
2529	6Z9011	PANEL, GROUP	1	—	C	
	7Q1847	STRAP, GROUP	2	—	C	
Spares for:—						
26FP/1999	3SS1944	Cross-head, R.H.	2	—	C	
26FP/2005	4SS1944	Cross-head, L.H.	2	—	C	
26FP/15306	4SS1945	Screw, adjusting	2	—	C	
28Q/1930	AS455/404	Rivet	2	—	C	

VULCAN Mk. 2

SERVICES
PNEUMATIC

Page QT. 7

Ref. No.	Part No.	Description	No. off				Matl. Spec.	Cl. of St. M.R.	Plate and Illust'n No.
			1	2	3	4			
		PIPING SERVICES TO T4 BOMB SIGHT (Q2215, Q1874) (Cont'd)							
		PANEL PNEUMATIC CHARGING (Q2216)						QT6/182	
		Spares for:—							
6A/2691	40SS3567	Banjo, double cone	1					QT6/183	
6A/6771	—	Gauge, air pressure	3				A	QT6/184	
	—	Label, "Air"	3				C	QT6/185	
3160	2Q1886	PANEL LESS PIPES AND GAUGE, GROUP	1				C	QT6/186	
	35Q1871	PIPE, 3/16" o/d x 22G, L.H. CHARGING VALVE TO TOP L.H. GAUGE, GROUP	1		DTD333A		MR	QT6/187	
	50Q1944	PIPE, 3/16" o/d x 22G, ADAPTOR TO TOP R.H. GAUGE, GROUP	1		DTD323A			QT6/188	
9033	51Q1944	PIPE, 5/16" o/d x 22G, ADAPTOR TO BOTTOM GAUGE, GROUP	1		DTD323A		C	QT6/189	
3161	33Q1871	PIPE, 1/4" o/d x 22G, ADAPTOR TO L.H. BLOW OFF VALVE, GROUP	1		DTD323A		C	QT6/190	
3162	34Q1871	PIPE, 1/4" o/d x 22G, ADAPTOR	1		DTD323A		C	QT6/191	
	34Q1944	PIPE, 1/4" o/d x 22G, CHARGING	1		DTD323A		MR	QT6/192	
	35Q1944	PIPE, 1/4" o/d x 22G, BLOW-OFF VALVE TO CHARGING VALVE R.H., GROUP	1		DTD323A		MR	QT6/193	
27VA/4625761	DUNLOP								
28Y/15486	ACM16886	Valve, blow-off	2				A	QT6/194	
	A58 Mk.2	Valve, charging	2				B	QT6/195	
	38Q1944	PIPE, 1/4" o/d x 22G, TEE-PIECE AFT ... OF FORMER 232" TO AIR BOTTLE, GROUP	1		DTD323A			QT4/196	
11435	54Q1944	PIPE, 1/4" o/d x 22G, TEE-PIECE AFT ... OF FORMER 232" N.R. VALVE, GROUP	1		DTD323A		C	QT4/197	
	37Q1944	PIPE, 1/4" o/d x 22G, N.R. VALVE TO ... TEE-PIECE AFT OF FORMER 218", GROUP	1		DTD323A			QT4/198	
	36Q1944	PIPE, 1/4" o/d x 22G, TEE-PIECE AFT ... OF FORMER 218" TO ADAPTOR AT FORMER 204", GROUP (Pre-Mod. 748)	1		DTD32A				

SERVICES
PNEUMATIC

Ref. No.	Part No.	Description	No. off	Matl. Spec.	Cl. of St.	Plate and Illust'n No.
					M.R.	
		1 2 3 4				
		PIPING SERVICES TO T4 BOMB SIGHT (Q2215, Q1874) (Cont'd)				
	48Q2214	PIPE, 1/4" o/d x 22G x 40" LONG, APPROX., TEE-PIECE AFT OF FORMER 218" TO ADAPTOR AT FORMER 204", GROUP (Mod. 1222)	1	DTD323A		QT4/199
	52Q1944	PIPE, 3/16" o/d x 22G x 60" LONG APPROX., TEE-PIECE AFT OF FORMER 232" TO ADAPTOR AT FORMER 204", GROUP (Pre-Mod. 748)	1	DTD323		
	49Q2214	PIPE, 3/16" o/d x 22G x 60" LONG, APPROX., TEE-PIECE AFT OF FORMER 232" TO ADAPTOR AT FORMER 204", GROUP (Mod. 1222)	1	DTD323A		QT4/200
	39Q1944	PIPE, 1/4" o/d x 22G x 7" LONG, APPROX., TEE-PIECE TO N.R. VALVE AFT OF FORMER 218", GROUP	1	DTD323A		QT4/201
	55Q1944	PIPE, 1/4" o/d x 22G x 5" LONG, APPROX., N.R. VALVE TO TEE-PIECE AFT OF FORMER 218", GROUP	1	DTD323A		QT4/202
	53Q1944	PIPE, 3/16" o/d x 22G x 44" LONG, APPROX., TEE-PIECE AFT OF FORMER 218" TO ADAPTOR AT FORMER 204", GROUP (Pre-Mod. 748)	1	DTD323		
	50Q2214	PIPE, 3/16" o/d x 22G x 44" LONG, APPROX., TEE-PIECE AFT OF FORMER 218" TO ADAPTOR AT FORMER 204", GROUP (Mod. 1222)	1	DTD323A		QT4/203
	40Q1944	PIPE, 1/4" o/d x 22G x 36" LONG, APPROX., TEE-PIECE AFT OF FORMER 232" TO UNION AFT OF FORMER 288", GROUP	1	DTD323A		QT4/204
20192	40Q2214	PIPE, 1/4" o/d x 22G x 36" LONG, APPROX., UNION FORWARD OF FORMER 274" TO UNION AFT OF FORMER 316", GROUP (Mod. 1168)	1	DTD323A	C	QT4/205

SERVICES
PNEUMATIC

Ref. No.	Part No.	Description	No. off	Matl. Spec.	Cl. of	Plate and Illust'n No.
					St. M.R.	
		1 2 3 4				
		PIPING SERVICES TO T4 BOMB SIGHT (Q2215, Q1874) (Cont'd)				
20200	36Q2214	PIPE, 1/4" o/d x 22G x 58" LONG, APPROX., AIR BOTTLE TO UNION AFT OF FORMER 330", GROUP	1	DTD323A	C	QT4/207
20139	17Q2214	PIPE, 3/16" o/d x 22G UNION TO SHUT-OFF VALVE AT PRESSURE GAUGE, GROUP	1	DTD323A	C	QT4/208
20199	18Q2214	PIPE, 1/4" o/d x 22G x 45" LONG, APPROX., UNION AFT OF FORMER 330" TO H.P. SHUT-OFF VALVE, GROUP	1	DTD323A	C	QT4/209
20195	22Q2214	PIPE, 1/4" o/d x 22G, UNION AFT FORMER 330" TO UNION AFT FORMER 316", GROUP	1	DTD323A	C	QT4/210
20189	12Q2214	PIPE, 1/4" o/d x 22G x 22" LONG, APPROX., SHUT-OFF VALVE TO REDUCING VALVE, GROUP	1	DTD323A	C	QT4/211
20190	13Q2214	PIPE, 1/4" o/d x 22G x 22" LONG APPROX., REDUCING VALVE TO RELIEF VALVE, GROUP	1	DTD323A	C	QT4/212
20191	14Q2214	PIPE, 1/4" o/d x 22G x 44" LONG, APPROX., RELIEF VALVE TO TEE-PIECE CHARGING VALVE, GROUP	1	DTD323A	C	QT4/213
	47Q1944	PIPE, 1/4" o/d x 22G x 8" LONG APPROX., TEE-PIECE CHARGING VALVE TO REDUCING UNION FORWARD OF FORMER 316", GROUP	1	L56		QT4/214
20196	79Q2214	PIPE, 3/8" o/d x 22G UNION, FORWARD, OF FORMER 316" TO TEE-PIECE (Mod. 1506)	1	L56	C	QT4/215
	68Q1944	PIPE, 3/8" o/d x 22G x 21" LONG, APPROX., TEE-PIECE AFT OF FORMER 316" TO COMPUTER, GROUP	1	L56	MR	QT4/216
20194	25Q2214	PIPE, 3/16" o/d x 22G, TEE-PIECE TO UNION AFT FORMER 316", GROUP	1	-	C	QT4/223
26FP/1837	65SS3557	Tee-piece, for test point aft of former 330"	1	-	C	QT4/217
28Y/15486	A58 Mk. 3	Valve, charging and test point (Alternative DC22)	1	-	C	QT4/218

SERVICES

PNEUMATIC

Ref. No.	Part No.	Description	No. off	Matl. Spec.	Cl. of St.	Plate and Illust'n No.
					M.R.	
		1 2 3 4				
		PIPING SERVICES TO T4 BOMB SIGHT (Q2215, Q1874) (Cont'd)				
	L. ADAMS LTD. B.N.A.3 DOWTY 1.00202.005 HYMATIC RY31/5 HYMATIC PS82/4 Mk. 2	Valve, H.P. shut off	1	—		QT4/219
27VB/4497484		Valve, non-return	2	—		QT4/220
27VB/4497218		Valve, relief, 65 to 70 p.s.i.	1	—	A	QT4/221
		Valve, reducing, 20 to 60 p.s.i.	1	—	A	QT4/222
		PIPING SERVICES TO WINDSCREEN AND BOMB AIMER'S WINDOW (Q2245) (See Services, Windscreen De-Icing)	Ref.			
		PIPING, PNEUMATIC TO T4 BOMB SIGHT . COMPUTER (Q2213) (See Services, A.S.I.)	Ref.			
27VA/4625829	DUNLOP ACO3297	Valve, sequence, entrance door	1	—	A	QT3/224
27VA/4619877	DUNLOP ACO1297	Valve, sequence, door jacks	2	—	A	QT3/225
27VA/4619829	DUNLOP ACO1564	Valve, pressure monitoring	1	—	A	QT3/226
28Y/15482	A58 Mk. 2 DUNLOP ACO1223	Valve, charging	2	—	C	QY3/227
27VA/2876	DUNLOP ACO1223	Valve, restrictor, aft of former 260"	1	—	A	QT3/228
27VA/4625824	DUNLOP ACM17432	Valve, pressure reducing, 2000-200 p.s.i.	1	—	A	QT3/229
27VA/4625823	DUNLOP ACM16390	Valve, pressure reducing, 2000-400 p.s.i.	1	—	A	QT3/230
27VA/4625825	DUNLOP ACM17452	Valve, pressure reducing, 400-25 p.s.i.	1	—	A	QT3/230a
		VALVE, BY-PASS FOR EMERGENCY DOOR (14Q1895)				
		Spares for:—				
	11Q1895 DUNLOP AC62794	Bucket, mounting	1	L72		QT6/232
	AGS899/2 4Q1895 5Q1895	Cock, on-off (Mod. 1968)	1	—		QT6/233
28N/1045680		Collar, connection rod	4	—	C	QT6/234
		Fork-end, for control rod	1	DTD364	MR	QT6/235
		Fork-end, for control rod	1	DTD364	MR	QT6/236
	2Q1895	LEVER, GROUP	1	—	MR	QT6/237
	12Q1895 3Q1895	Link, plate, for control rod	2	L72		QT6/238
2671		Rod, control	1	DTD364	B	QT6/239
2674	9Q1895	SEAL AND BEARING, GROUP	1	—	C	QT6/240
	7Q1895	Turnbuckle	1	S96	MR	QT6/241

SERVICES
PNEUMATIC

Ref. No.	Part No.	Description	No. off	Mati. Spec.	Cl. of St.	Plate and Illust'n No.
					M.R.	
		1 2 3 4				
		AIR INFLATION SYSTEM FOR ENTRANCE DOOR AND CANOPY SEALS (25Q1872)				
26FP/2721	2/SS3859	Spares for:— Clip, for 1/4" o/d, pipe	3	—	C	QT6/242
	8Q1872	PIPE, 1/4" o/d x 22G x 60" LONG, APPROX., COUPLING TO CHARGING VALVE, GROUP	1	L56		QT6/243
	19Q1872	PIPE, 1/4" o/d x 22G x 60" LONG, APPROX., TO DOOR SEAL CONNECTION, GROUP	1	L56	MR	QT6/244
	20Q1872	PIPE, 1/4" o/d x 22G x 57" LONG, APPROX., TEE-PIECE TO SEQUENCE VALVE, GROUP	1	L56	MR	QT6/245
	27Q1872	PIPE, 1/4" o/d x 20G, REDUCING UNION TO SEQUENCE VALVE, GROUP	1	L56	MR	QT6/246
20215	26Q1872	PIPE, 1/4" o/d x 20G, CANOPY SEQUENCE VALVE TO CHARGING VALVE, GROUP (Mod. 687)	1	L56	C	QT6/247
20217	28Q1872	PIPE, 5/16" o/d x 20G, REDUCING UNION TO ADAPTOR AT COCKPIT RAIL, GROUP (Mod. 687)	1	L56	C	QT6/248
20218	41Q2214	PIPE, 1/4" o/d x 22G, TEE-PIECE FORWARD OF FORMER 274" TO UNION AFT OF FORMER 3/16", GROUP (Mod. 1168)	1	L56	C	QT6/249
5727	61Q1944	PIPE, 1/4" o/d x 22G, COUPLING TO UNION FORWARD AND AFT OF FORMER 3/16", GROUP	1	L56	C	QT6/250
	10Q2214	PIPE, 1/4" o/d x 22G x 47" LONG, APPROX., NON-RETURN VALVE TO UNION, GROUP	1	L56		QT6/251
26FP/1837	139/SS3557	Tee-piece, for "Schrader" valve	1	—	MR	QT6/252
27VA/	65/553557	Tee-piece, for charging valve	1	—	C	QT6/253
4625734	DUNLOP	Valve, non-return	2	—	A	QT6/254
	ACM15414					
12097	21Q1872	VALVE, CHARGING, GROUP Consisting of:—	1	—	C	QT6/255
	21aQ1872	Chain	1	—		
	21cQ1872	Chain	1	—		
	216Q1872	Link	2	—		
	SCHRADER					
	8911	Valve (Schrader)	1	—		

SERVICES
PNEUMATIC

Ref. No.	Part No.	Description	No. off	Matl. Spec.	Cl. of St.	Plate and Illust'n No.
					M.R.	
		1 2 3 4				
		PNEUMATIC PIPING SERVICES TO AFT BOMB DOOR SEALS (Q2246, Q2074)				
		Spares for:—				
26FP/13942	72SS3553	Adaptor, stowage	2	—		QT5/256
	1SS3867	Bracket, clip attachment	2	—	C	QT5/257
	50Z7587	BRACKET, MOUNTING, GROUP	1	—		QT5/258
9193	4SS3859	Clip, pipe	2	—	C	QT5/259
8780	AG10/SS4234	Clip, half, for charging valve	1	—	C	QT5/260
8781	AG3/SS4234	Clip, half, for charging valve	1	—	C	QT5/261
	AE10/SS4234	Clip, half, for exhaust valve	2	—		QT5/262
	AE3/SS4234	Clip, half, for exhaust valve	2	—		QT5/263
	AS4525/3	Clip, pipe	1	—		QT5/264
26FP/2453	1SS3859	Clip, pipe	4	—	C	QT5/265
	AGS605/00	Clip, pipe	2	—		QT5/266
2876	61/SS3554	Cross-piece, 4-way	1	—	C	QT5/267
	AGS1118/A	Cone, tee-piece	1	—		QT5/268
	1SK29151	Insert, pipe, between A/C piping and aft seal (Used only on seal with 1.85' long connection)				
	16Q2074	PIPE, 3/8" o/d x 20G, FROM RAPID RELEASE VALVE TO OUTLET, PORT, GROUP	1	L56		QT5/269
	14Q2074	PIPE, 3/8" o/d x 20G, FROM RAPID EXHAUST VALVE TO OUTLET, STARBOARD, GROUP	1	L56		QT5/270
	15Q2074	PIPE, 3/16" o/d x 22G, CROSS-PIECE TO RAPID EXHAUST VALVE, PORT, GROUP	1	DTD323A		QT5/271
	39Q1959	PIPE, 3/16" o/d x 22G x 9" LONG, APPROX., CROSS-PIECE TO UNIMATIC VALVE, GROUP	1	DTD232A		QT5/272
	13Q2074	PIPE, 3/16" o/d x 22G, CROSS-PIECE TO RAPID EXHAUST VALVE, STARBOARD, GROUP	1	DTD323A		QT5/273
	18Q2074	PIPE, 3/16" o/d x 22G, CONE TEE-PIECE TO UNION, GROUP	1	L56		QT5/274
	17Q2074	PIPE, 3/16" o/d x 22G x 10.0" LONG, APPROX., UNIMATIC VALVE TO CONE TEE-PIECE, GROUP	1	L56		QT5/275
		SEAL, BOMB DOOR, AT REAR SPAR	—	—		QT5/276
		(1D9929) (Pre-Mod. 551) (6D9929) (Mod. 551)				
		Spares for:—				
	1Z9674	Seal, inflatable (Mod. 551)	1	—	MR	QT5/277
	3D9929	Seal, inflatable (Pre-Mod. 551)	—	—		
2668	4D9929	Strip, half, retaining, port	1	S3	C	QT5/278
	5D9929	Strip, half, retaining, starboard	1	S3	MR	QT5/279
28Y/9701165	A58 Mk. 2	Valve, charging	1	—	B	QT5/280
	DUNLOP					
27VA/4625827	ACM17898	Valve, rapid exhaust	2	—	A	QT5/281
27VA/4625828	AC11306	Valve, unimatic	1	—	A	QT5/282

SERVICES
PNEUMATIC

Ref. No.	Part No.	Description	No. off	Matl. Spec.	Cl. of St.	Plate and Illust'n No.
					M.R.	
		1 2 3 4				
		PNEUMATIC PIPING SERVICE TO FORWARD BOMB DOOR SEALS (Q2074, Q2072)				
	29/SS3555	Spares for:— Adaptor, 3/16" BSP	1	—		QT5/283
	10Q2074	BLOCK, JUNCTION, GROUP	1	—		QT5/284
	1/SS4380	Chain, for adaptor	1	—		QT5/285
	AC12/SS4234	Clip, half for exhaust valves	3	—	MR	QT5/286
	AC4/SS4234	Clip, half for exhaust valves	3	—		QT5/287
	3/AS4525	Clip, pipe	5	—		QT5/288
	6/AS4525	Clip, pipe	2	—		QT5/289
	8/AS4525	Clip, pipe	1	—		QT5/290
	972SS6004	Label	1	—		QT5/290a
	4Q2074	PIPE, 3/8" o/d x 20G x 10" LONG, APPROX., CROSS-PIECE TO JOINT, PORT, AND OUTER EXHAUST VALVE TO JOINT, STARBOARD, GROUP	2	L56		QT5/291
	5Q2074	PIPE, 3/16" o/d x 22G x 10" LONG, APPROX., CROSS-PIECE TO JUNCTION BLOCK, GROUP	1	L56		QT5/292
	6Q2074	PIPE, 3/16" o/d x 22G x 4" LONG, APPROX., UNIMATIC VALVE TO JUNCTION BLOCK, GROUP	1	L56		QT5/293
	7Q2074	PIPE, 3/8" o/d x 20G x 8" LONG, APPROX., STARBOARD INNER EXHAUST VALVE TO JOINT, GROUP	1	L56		QT5/294
	8Q2074	PIPE, 3/16" o/d x 22G x 6" LONG, APPROX., JUNCTION BLOCK TO STARBOARD INNER EXHAUST VALVE, GROUP	1	L56		QT5/295
	9Q2074	PIPE, 3/16" o/d x 22G x 9" LONG, APPROX., JUNCTION BLOCK TO STARBOARD OUTER EXHAUST VALVE, GROUP	1	L56		QT5/296
	12Q2074	PIPE, INLET, 3/16" o/d x 22G x 30" LONG, APPROX., ADAPTOR TO UNIMATIC VALVE, GROUP (Pre-Mod. 748)	1	L56		
	19Q2074	PIPE, INLET, 3/16" o/d x 22G x 30" LONG, APPROX., ADAPTOR TO UNIMATIC VALVE, GROUP (Mod. 748)	1	L56		QT5/297
27VA/4625828	DUNLOP AC11306	Valve, unimatic	1	—	A	QT5/298
27VA/4625827	DUNLOP ACM17898 1Z10306	Valve, rapid exhaust	3	—	A	QT5/299
		Seal, inflatable, forward bomb door (See Fuselage C/S)	Ref.	—	MR	

SERVICES
PNEUMATIC

Ref. No.	Part No.	Description	No. off	Mati. Spec.	Cl. of St.	Plate and Illust'n No.
					M.R.	
		1 2 3 4				
		PNEUMATIC PIPING SERVICE FROM RESERVOIR TO FORWARD AND AFT BOMB DOOR SEALS AND R.C.M. (Q2074, Q2256) Spares for:—				
	2Q1959	PIPE, 1/4" o/d x 22G x 33" LONG, APPROX., CROSS-PIECE AT RESERVOIR TO PRESSURE REDUCING VALVE, GROUP	1	L56		QT5/300
	3Q1959	PIPE, 3/16" o/d x 22G x 19" LONG, APPROX., P.R. VALVE TO TEE-PIECE, GROUP	1	L56		QT5/301
	25Q1959	PIPE, 3/16" o/d x 22G x 63" LONG, APPROX., TEE-PIECE AFT TO UNION, GROUP	1	L56	MR	QT5/302
	4Q1959	PIPE, 3/16" o/d x 22G x 107" LONG, APPROX., BETWEEN UNIONS IN LINE TO AFT SEALS, GROUP	1	L56		QT5/303
	32Q1959	PIPE, 3/16" o/d x 22G x 53" LONG, APPROX., BETWEEN UNION FORWARD AND AFT OF BOMB ARCH 321", GROUP (Blue Steel A/C) (Free Fall A/C) (Pre-Mod. 2013)	1	L56		QT5/304
1432617	21Q2074	PIPE, 3/16" o/d x 22G x 53" LONG, APPROX., BETWEEN UNIONS FORWARD AND AFT OF BOMB ARCH 321", GROUP (Free Fall A/C) (Mod. 2013)	1	L56	C	QT5/305
	24Q1959	PIPE, 3/16" o/d x 22G x 98" LONG, APPROX., TEE-PIECE TO UNION, GROUP	1	L56	MR	QT5/306
	11Q1959	PIPE, 3/16" o/d x 22G x 83" LONG, APPROX., BETWEEN UNIONS, FORWARD AND AFT OF BOMB ARCH 44.592, GROUP	1	L56		QT5/307
	23Q1959	PIPE, 3/16" o/d x 22G, BETWEEN ADAPTOR AND UNION, AFT OF FRONT SPAR, GROUP (Pre-Mod. 748)	1	L56	LM	
	20Q2074	PIPE, 3/16" o/d x 22G, BETWEEN ADAPTOR AND UNION AFT OF FRONT SPAR, GROUP (Mod. 748)	1	L56		QT5/308
	6Q2256	PIPE, 3/16" o/d x 22G x 60" LONG, APPROX., BETWEEN TEE-PIECE AND UNION AT REAR SPAR, GROUP	1	L56		QT5/309
	4Q2256	PIPE, 3/16" o/d x 22G x 78" LONG, APPROX., BETWEEN UNION AT REAR SPAR AND UNION AT FORMER 428", GROUP	1	L56		QT5/310
27VA/4625826	DUNLOP ACM17456	Valve, pressure reducing	1	—	A	QT5/311

SERVICES
PNEUMATIC

Ref. No.	Part No.	Description	No. off	Matl. Spec.	Cl. of St.	Plate and Illust'n No.
					M.R.	
		1 2 3 4				
		N.B.S. Mk. 1A AND H.2S. SCANNER PNEUMATIC SERVICES IN NOSE WHEEL BAY (1Q2258)				
		Spares for :—				
28F/9504828	AGS1147/A	Adaptor	5	—	C	QT1/1
	16Q2258	Bracket, mounting	1	—		QT1/2
26FP/2453	1SS3859	Clip	1	—	C	QT1/3
	AS4525/3	Clip	1	—		QT1/4
	AS4525/4	Clip	1	—		QT1/5
	1SS4633	Elbow	2	—	MR	QT1/6
	43aQ2258	Fairlead, half	4	—		QT1/7
	44aQ2258	Fairlead, half	2	—		QT1/8
	22Q2258	MANIFOLD, GROUP	1	—		QT1/9
11506	21Q2254	PIPE, N.B.S. $\frac{1}{8}$" o/d × 22G, GROUP ...	1	L56	C	QT1/10
12327	22Q2254	PIPE, N.B.S. $\frac{1}{2}$" o/d × 22G, GROUP ...	1	L56	C	QT1/11
13412	23Q2254	PIPE, N.B.S. $\frac{1}{8}$" o/d × 22G, GROUP ...	1	L56	C	QT1/12
22231	24Q2254	PIPE, N.B.S. $\frac{1}{8}$" o/d × 22G, GROUP ...	1	L56	C	QT1/13
	25Q2254	PIPE, N.B.S. $\frac{1}{8}$" o/d × 22G, GROUP ...	1	L56		QT1/14
	26Q2254	PIPE, N.B.S. $\frac{1}{8}$" o/d × 22G, GROUP ...	1	L56		QT1/15
	27Q2254	PIPE, N.B.S. $\frac{1}{8}$" o/d × 22G, GROUP ...	—	L56		QT1/16
	28Q2254	PIPE, N.B.S. $\frac{1}{8}$" o/d × 22G, GROUP ...	1	L56		QT1/17
	38Q2254	PIPE, N.B.S. $\frac{1}{2}$" o/d × 22G, GROUP ...	1	L56		QT1/18
27VA/6325595	DUNLOP G2/N14/401/ 8/9/14	Pipe, flex	3	—	C	QT1/182
27VA/6369	DUNLOP G2/N14/401/ 8/9/17	Pipe, flex	2	—	C	QT1/19
		PNEUMATIC SERVICES, N.B.S. & H2S, SCANNER IN NOSE (3Q2258)				
		Spares for :—				
6D/1405	—	Bottle, air, 750 litre	1	—	A	QT2/20
6D/9429885	—	Bottle, air	1	—	A	QT2/21
	5Q2031	BRACKET, BOTTLE, FWD., H2S, SCANNER, GROUP	1	—		QT2/22
	6Q2031	BRACKET, BOTTLE, REAR, H2S, SCANNER, GROUP	1	—		QT2/23
	8Q2031	Bracket, fixing	2	—		QT2/24
	33Q2031	BRACKET, BOTTLE, FWD., N.B.S., GROUP	1	—		QT2/25

SERVICES
PNEUMATIC

Ref. No.	Part No.	Description	No. off	Matl. Spec.	Cl. of St.	Plate and Illust'n No.
					M.R.	
		1 2 3 4				
		PNEUMATIC SERVICES, N.B.S. & H2S, SCANNER IN HOSE (3Q2258) (Cont'd)				
	34Q2031	BRACKET, BOTTLE REAR, N.B.S., GROUP	1	—		QT2/26
26FP/2453 26FP/2721	15S3859	Clip	12	—	C	QT1/27
	25S3859	Clip	11	—	C	QT2/28
	9Q2031	DISH, AIR BOTTLE, H2S, SCANNER, GROUP	1	—		QT2/29
6D/641	18Z7293	Label, direction of flow	A/R	—		QT2/31
	—	Label, N.R.V.	2	—	C	QT2/32
	1Q2265	PANEL, CHARGING AND TEST POINT, N.B.S. & H2S, SCANNER, GROUP	1	—		QT2/33
27VA/4625934 6A/2688 6A/2772	AGM18302	Spares for :—				
	—	Filter, air	1	—	B	QT2/34
	—	Gauge, pressure, Mk. 14H	3	—	B	QT2/35
		Label, luminous	2	—	C	QT2/36
	11Q2258	PANEL, ACCESS, GROUP	1	—		QT2/37
20221	2Q2254	PIPE, AIR CHARGING, ½" o/d × 22G, GROUP	1	DTD323	C	QT2/38
	3Q2254	PIPE, AIR, CHARGING, ½" o/d × 22G, GROUP	1	DTD323		QT2/39
20222	4Q2254	PIPE, AIR, CHARGING, ½" o/d × 22G, GROUP	1	DTD323	C	QT2/40
20223	5Q2254	PIPE, N.B.S., ½" o/d × 22G, GROUP	1	DTD323	C	QT2/41
20224	6Q2254	PIPE, N.B.S. ⅜" o/d × 22G, GROUP	1	DTD323	C	QT2/42
20225	7Q2254	PIPE, N.B.S. ½" o/d × 22G, GROUP ...	1	DTD323	C	QT2/43
20226	8Q2254	PIPE, N.B.S. ½" o/d × 22G, GROUP ...	1	L56	C	QT2/44
20227	9Q2254	PIPE, N.B.S. ½" o/d × 22G, GROUP ...	1	L56	C	QT2/45
20220	10Q2254	PIPE, N.B.S. ½" o/d × 22G, GROUP ...	1	L56	C	QT2/46
20228	11Q2254	PIPE, H2S SCANNER, ½" o/d × 22G, ... GROUP	1	DTD323	C	QT2/47
20229	12Q2254	PIPE, H2S SCANNER, ½" o/d × 22G, ... GROUP	—	DTD323	C	QT2/48
	13Q1879	FAIRLEAD, GROUP	1	—		QT2/30

SERVICES
PNEUMATIC

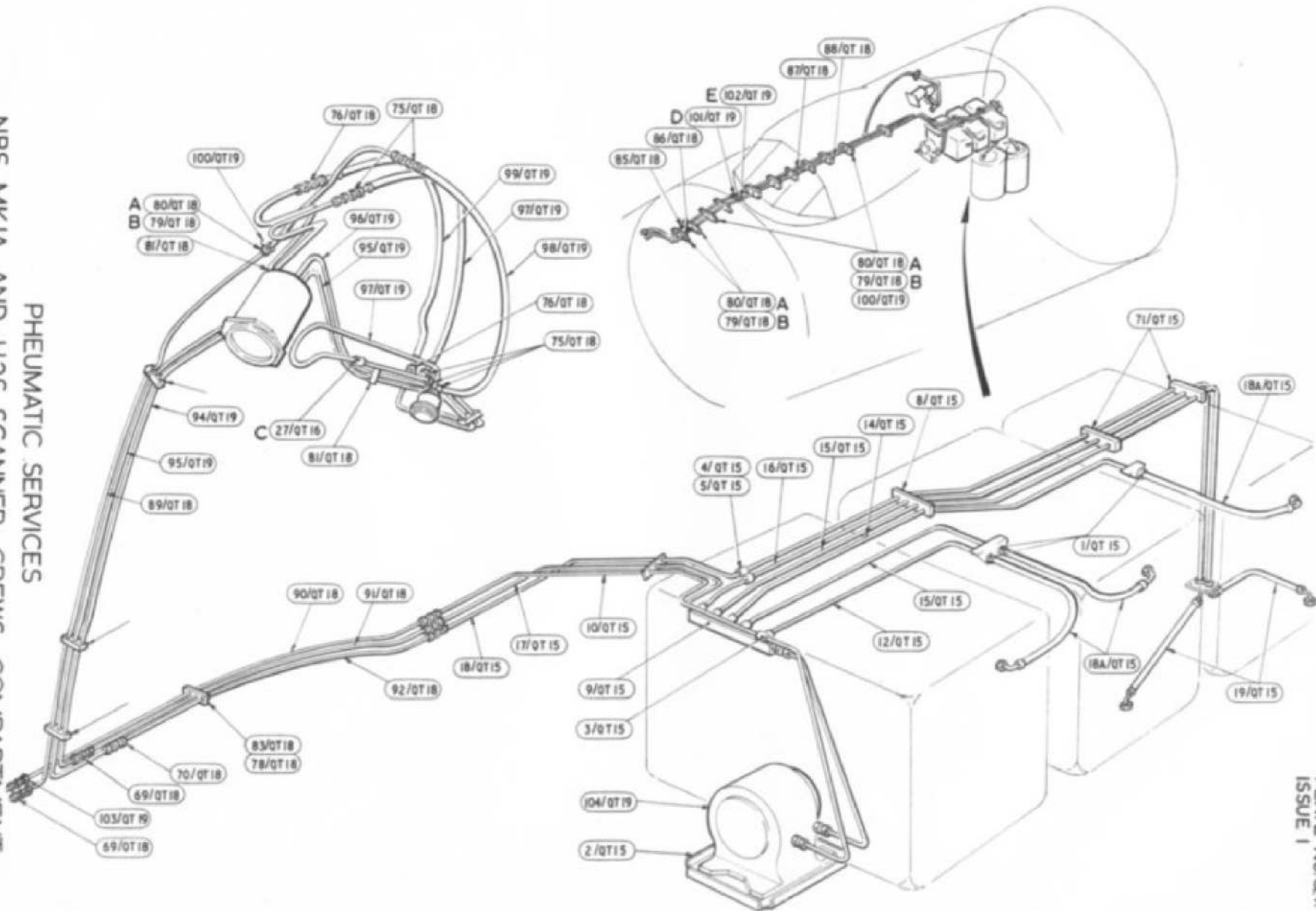
Ref. No.	Part No.	Description	No. off	Matl. Spec.	Cl. of St.	Plate and Illust'n No.
					M.R.	
		1 2 3 4				
		PNEUMATIC SERVICES N.B.S. & H2S, SCANNER IN NOSE (3Q2258) (Cont'd.)				
20230	13Q2254	PIPE, H2S SCANNER, 3/8" o/d x 22G, GROUP	1	DTD323	C	QT2/49
20231	14Q2254	PIPE, H2S SCANNER, 1/4" o/d x 22G, GROUP	1	DTD323	C	QT2/50
20232	15Q2254	PIPE, H2S SCANNER, 1/4" o/d x 22G, GROUP	1	L56	C	QT2/51
20233	16Q2254	PIPE, H2S SCANNER, 1/4" o/d x 22G, GROUP	1	L56	C	QT2/52
	17Q2254	PIPE, H2S SCANNER, 1/4" o/d x 22G, GROUP	1	L56	C	QT2/53
	13Q2035	PIPE, H2S SCANNER, 3/8" o/d x 22G, GROUP	1	L56	LM	QT2/54
4805	14Q2035	PIPE, H2S SCANNER, 1/4" o/d x 22G, GROUP	1	L56	C	QT2/55
	27Q2035	PIPE, H2S SCANNER, 1/4" o/d x 22G, GROUP	1	L56		QT2/56
	30Q2035	PIPE, H2S SCANNER, 3/16" o/d x 22G, GROUP	1	L56	MR	QT2/57
6843	31Q2035	PIPE, H2S SCANNER, 3/16" o/d x 22G, GROUP	1	L56	C	QT2/58
6844	32Q2031	PIPE, H2S SCANNER, 3/16" o/d x 22G, GROUP	1	L56	C	QT2/59
6845	33Q2035	PIPE, H2S SCANNER, 3/8" o/d x 22G, GROUP	1	L56	C	QT2/60
20234	41Q2035	PIPE, H2S SCANNER, 3/16" o/d x 22G, GROUP	1	L56	C	QT2/61
6W/20	—	Regulator, air pressure x 4447	1	—	A	QT2/62
1510464	42Q2258	STRAP, AIR BOTTLE N.B.S., GROUP	2	—	C	QT2/63
	7Q2258	STRAP AIR BOTTLE, H2S SCANNER	2	—		QT2/64
		Spares for:—				
26FP/2005	4SS1944	Crosshead, L.H.	1	—	C	
26FP/1999	3SS1944	Crosshead, R.H.	1	—	C	
15306	4SS1945	Screw, adjusting	1	—	C	
12409	12Q2031	Strip, for air bottle strap	1	DTD762	C	QT2/65

SERVICES
PNEUMATIC

Ref. No.	Part No.	Description	No. off	Matl. Spec.	Cl. of St.	Plate and Illust'n No.
					M.R.	
1 2 3 4						
PNEUMATIC SERVICES N.B.S. & H2S, SCANNER IN NOSE (3Q2258) (Cont'd)						
28F/9440881	AGS1118/A	Tee-piece	1	—	C	QT2/66
28F/8011811	AGS1118/R	Tee-piece	1	—	C	QT2/67
	48S3557	Tee-piece	2	—	MR	QT2/68
28F/9129085	AGS1102/A	Union	2	—	C	QT1/69
28F/8011883	AGS1102/B	Union	1	—	C	QT1/70
27VA/4625937	DUNLOP AC11312	Valve, selector	1	—		QT2/71
27VA/4625938	DUNLOP ACM17500	Valve, pressure reducing	1	—		QT2/72
27VA/4625936	DUNLOP ACM15318	Valve, pressure relief, 2000 lbs. P.S.1 ...	1	—		QT2/73
6D/427	—	Valve, non return	1	—		QT2/74
PNEUMATIC SERVICES N.B.S. & H2S, SCANNER IN CREW'S COMPARTMENT (2Q2258)						
Spares for :—						
28F/9504828	AGS1147/A	Adaptor	4	—	C	QT1/75
28F/9130662	AGS1147/B	Adaptor	2	—	C	QT1/76
	37bQ2258	Bonding	1	—		QT1/77
	18bQ2258	Bonding	2	—		QT1/78
26FP 2453	15S3859	Clip	12	—	C	QT1/79
26FP 2721	25S3859	Clip	10	—	C	QT1/80
	11Q1492	FAIRLEAD, GROUP	3	—	MR	QT1/81 QT1/82
	37aQ2258	Fairlead, half	2	—		QT1/83
	18aQ2258	Fairlead, half	4	—		QT1/84
28F/1013599	AGS1142/A	Nipple	1	—	C	
22223	18Q2254	PIPE, N.B.S., ½" o/d × 22G, GROUP	1	L56	C	QT1/85
4809	9Q2035	PIPE, H2S SCANNER, ¾" o/d × 22G, GROUP	1	L56	C	QT1/86
22224	19Q2254	PIPE, N.B.S., ½" o/d × 22G, GROUP	1	L56	C	QT1/87
8988	37Q2035	PIPE, H2S SCANNER, ¾" o/d × 22G, GROUP	1	L56	C	QT1/88
8987	36Q2035	PIPE, H2S SCANNER, ¾" o/d × 22G, GROUP	1	L56	C	QT/189
22227	20Q2254	PIPE, N.B.S., ¾" o/d × 22G, GROUP	1	L56	C	QT1/90
22228	29Q2254	PIPE, N.B.S., ¾" o/d × 22G, GROUP	1	L56	C	QT1/91
22229	39Q2254	PIPE, N.B.S., ¾" o/d × 22G, GROUP	1	L56	C	QT1/92
22226	37Q2254	PIPE, N.B.S., ½" o/d × 22G, GROUP	1	L56	C	QT1/93

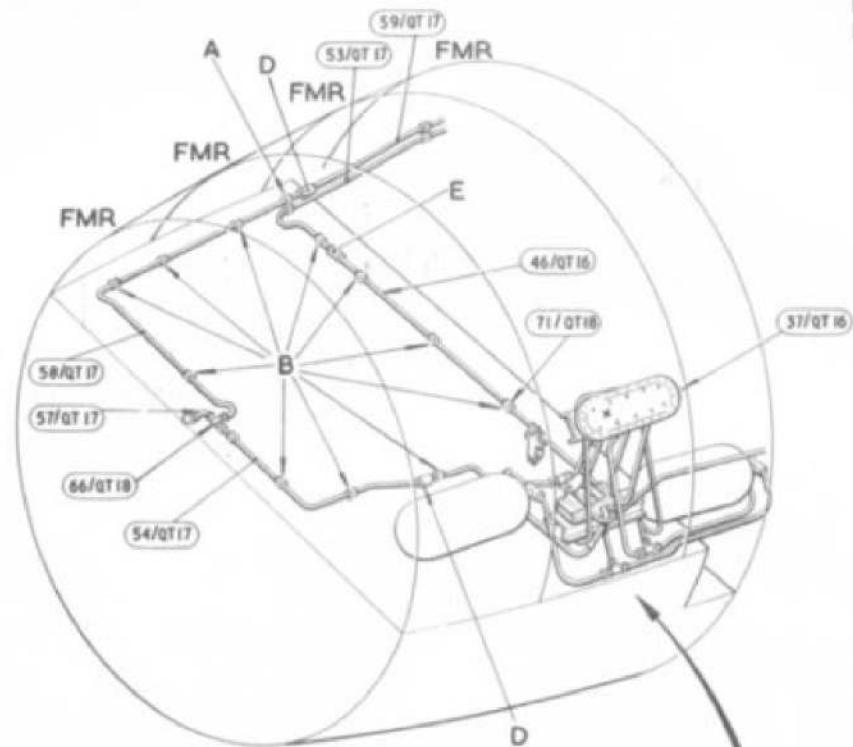
RESTRICTED

PLATE No. QT. 1
ISSUE 1

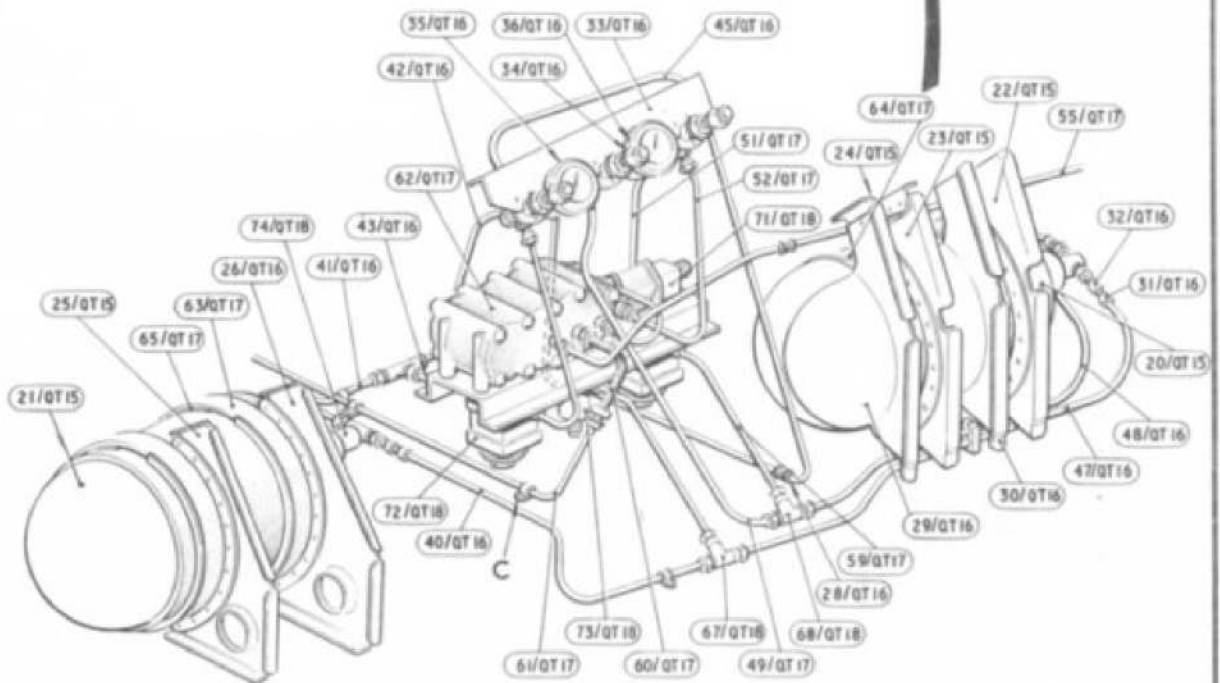


PNEUMATIC SERVICES
 NBS. MKIA AND H2S SCANNER. CREWS COMPARTMENT

RESTRICTED



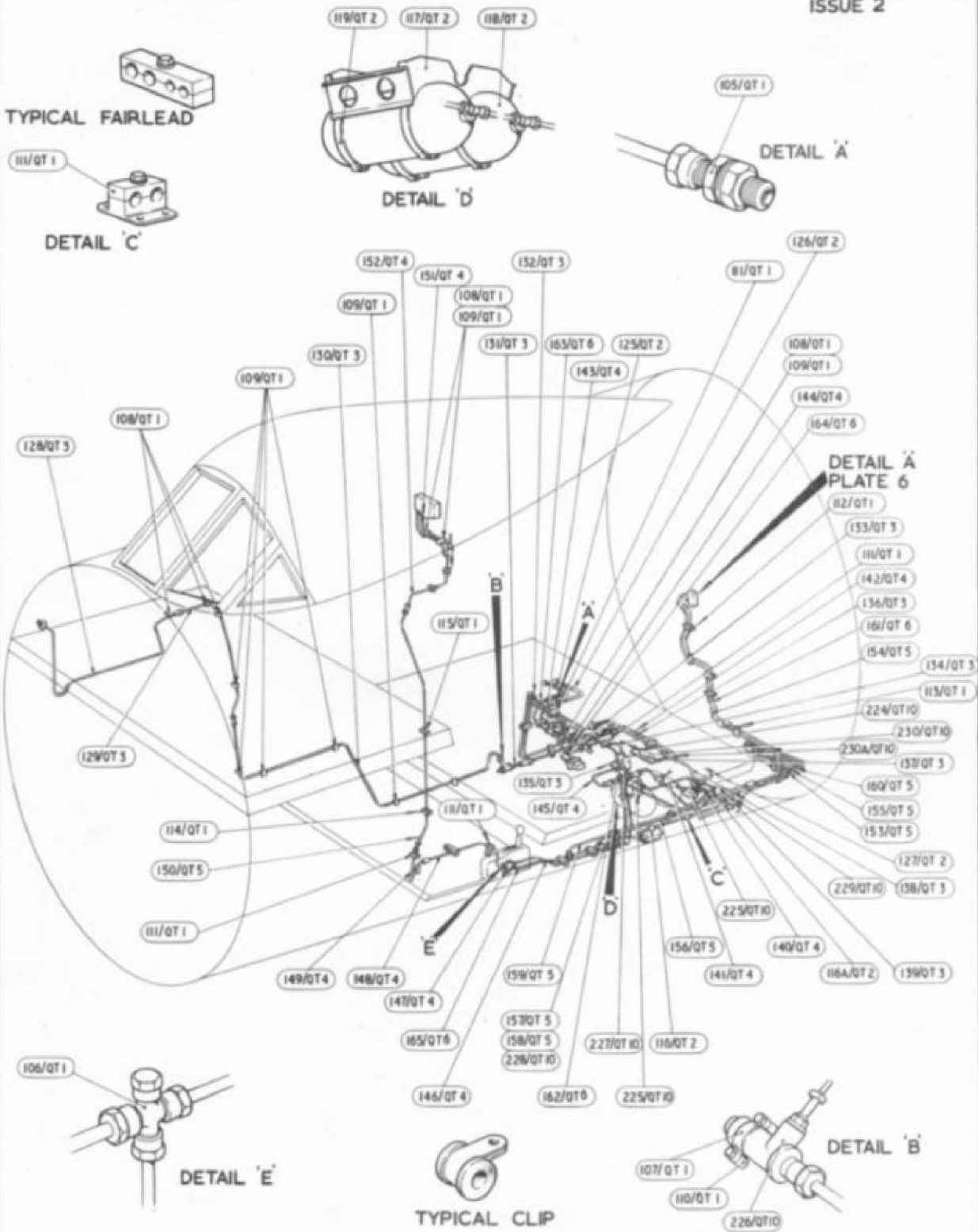
FOR DETAILS A,B,C, AND D SEE PLATE 1



PNEUMATIC SERVICES
NBS. MKIA AND H2S SCANNER NOSE WHEEL BAY

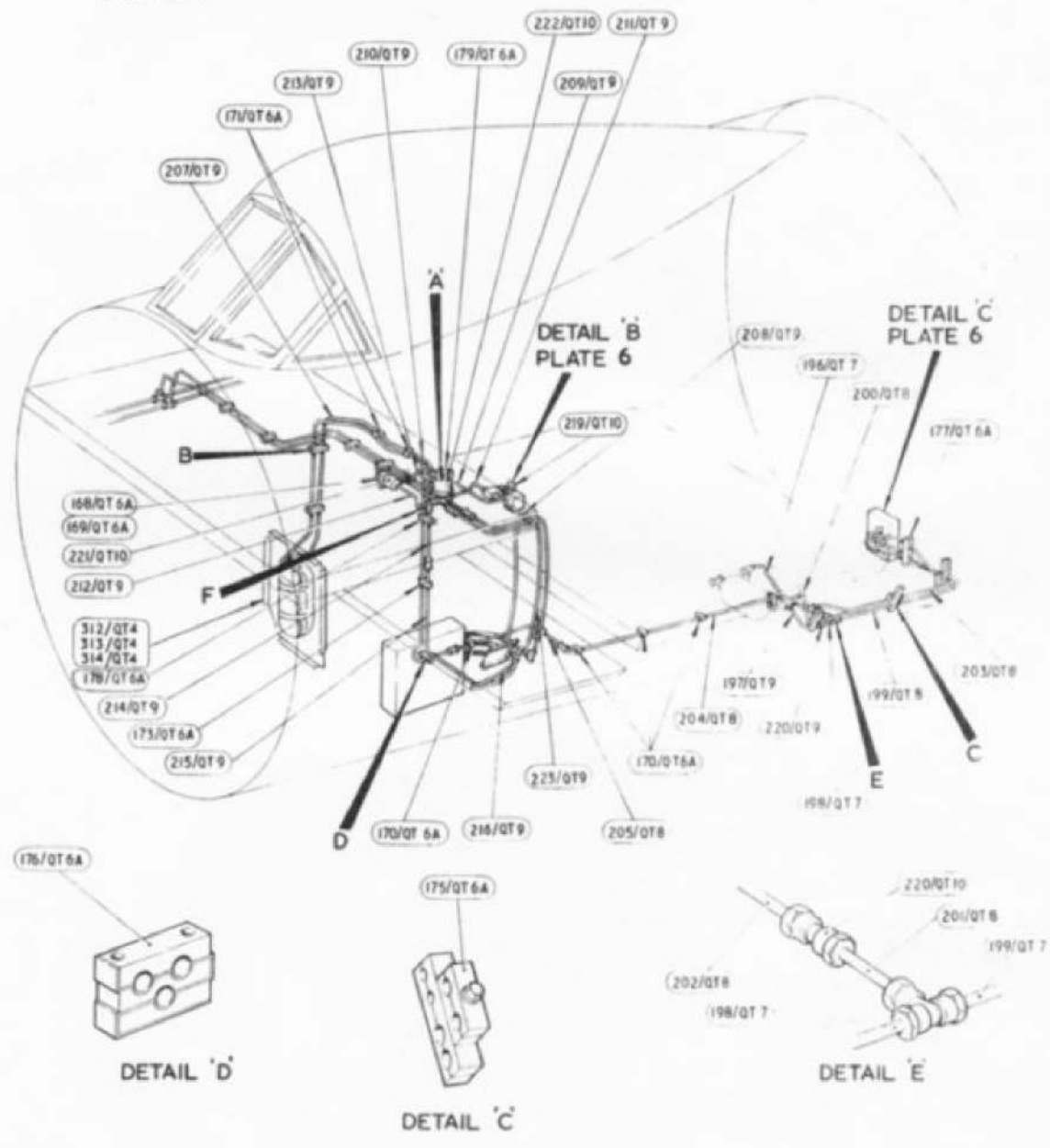
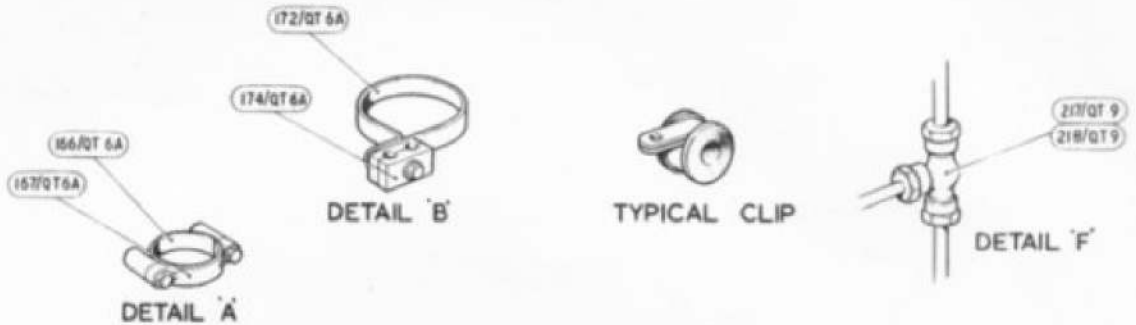
RESTRICTED

PLATE No. Q.T.3
ISSUE 2



PNEUMATIC INSTALLATION

RESTRICTED



PNEUMATIC INSTALLATION

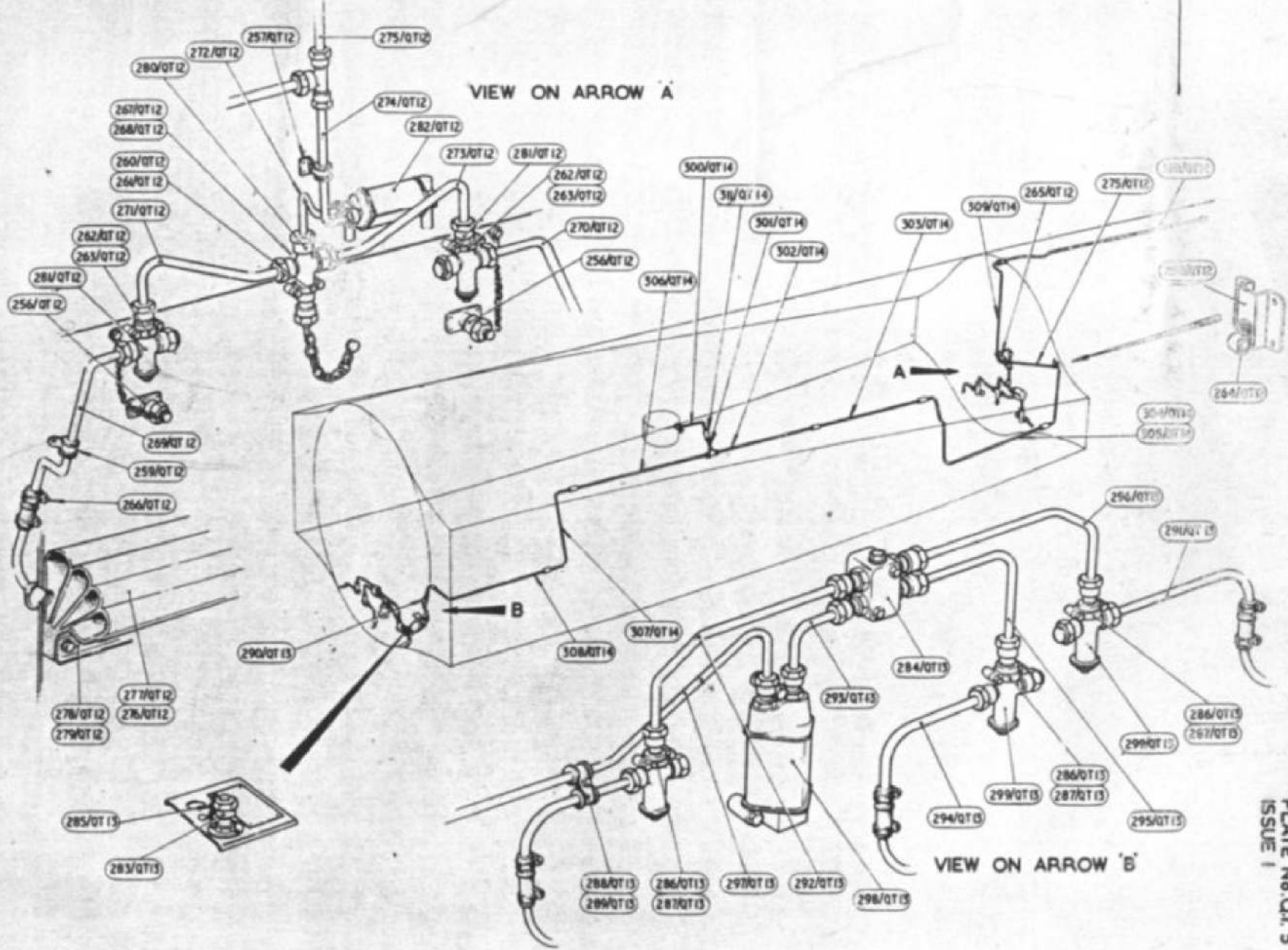
PNEUMATIC INSTALLATION

RESTRICTED

RESTRICTED

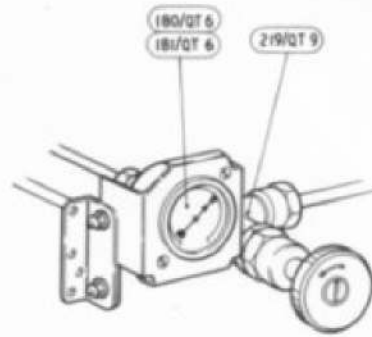
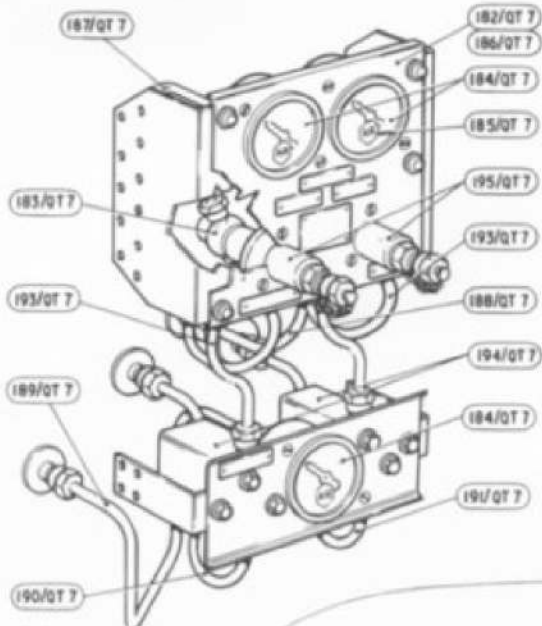
VIEW ON ARROW 'A'

VIEW ON ARROW 'B'



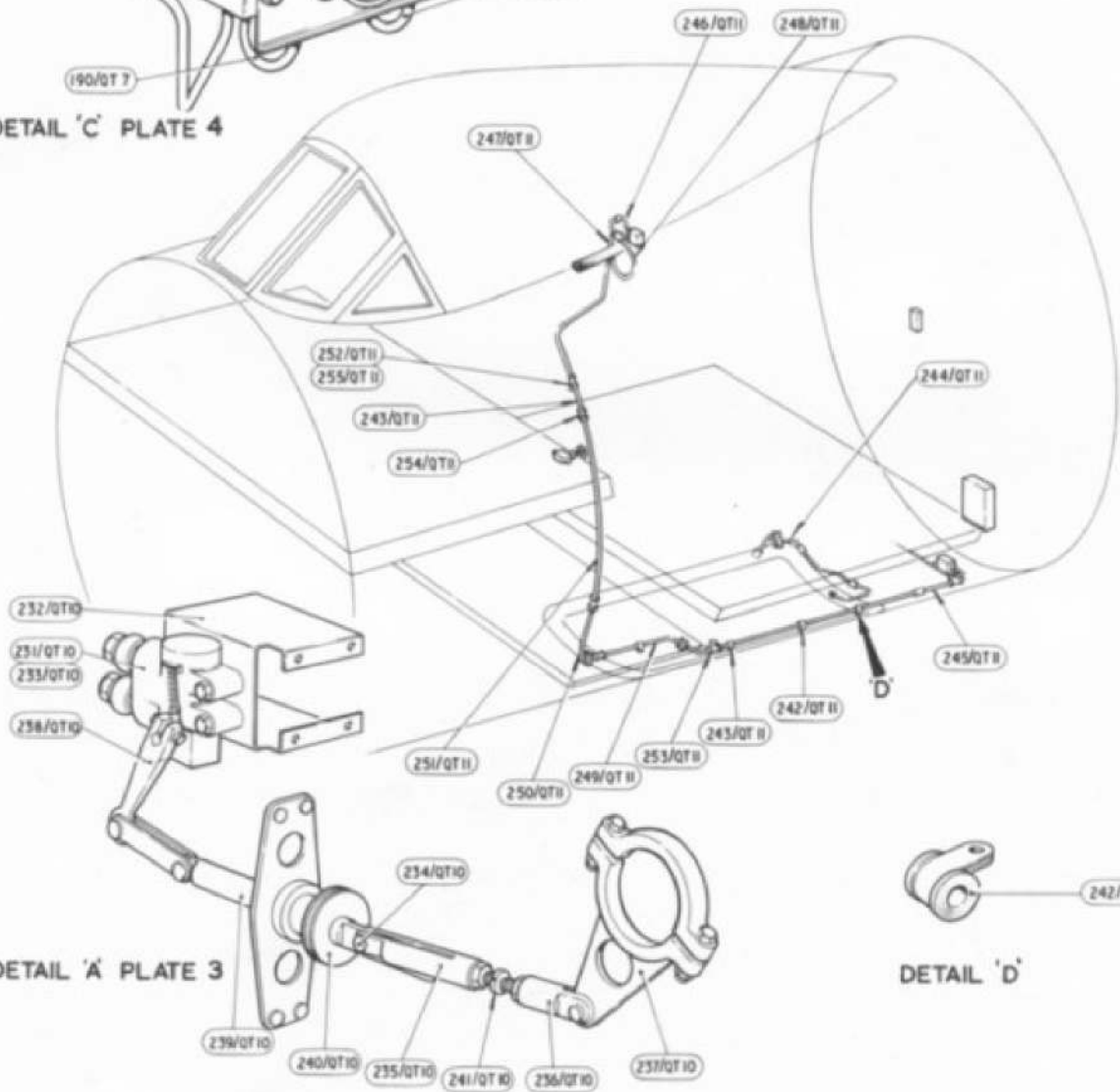
RESTRICTED

PLATE No. Q.T.6
ISSUE 2



DETAIL 'B' PLATE 4

DETAIL 'C' PLATE 4



DETAIL 'A' PLATE 3

DETAIL 'D'

PNEUMATIC INSTALLATION

RESTRICTED



This file was downloaded
from the RTFM Library.

Link: www.scottbouch.com/rtfm

Please see site for usage terms,
and more aircraft documents.