

TAIL UNIT

FIN

Ref. No.	Part No.	Description	No. off	Matl. Spec.	Cl. of St.	Plate and Illust'n No.
					M.R.	
		1 2 3 4				
1433132 1505089	400H2230	FIN ASSEMBLY, GROUP (Mod. 569)	1	—	A A	RA2/1
	400H2230/C	FIN ASSEMBLY, GROUP (Pre-Mod. 2129)	1	—		
	400H2230/PC	FIN ASSEMBLY, GROUP (Mod. 2129)	1	—		
	1H3030/PC	FIN ASSEMBLY, GROUP (Mod. 2243)	1	—		
		(Complementary parts, e.g., intercomponent attachments listed at the end of this assembly will not be supplied with the assembly spare, and must be demanded when required) Spares for:— ACCESS, HOLE AND MOUNTING FOR PLUG BREAK 1035 IN FIN (H2829) (Mod. 1155) Spares for:—				
		Plate, cover	1	L72	MR	RA2/2
		Ring, mounting	1	L72		
		CHAMBER, BALANCE (50H2555) (Pre-Mod. 2243) CHAMBER, BALANCE (100H2555) (Mod. 2243) CHAMBER, BALANCE (150H2555) (Mod. 2304) Spares for:—				
28D/9436920	A25/1C	Bolt, 2 BA	30	—	C	EA1/3 RA1/4 RA1/5 RA1/6
	92H2232	Channel	11	L72		
	93H2232	Channel	4	L72		
	54H2232	Clip, for conduit	15	DTD610A		
	55H2232	Clip, for conduit	1	DTD610A		
	32H2232	Conduit, 1" o/d x 24G x 17" long	1	DTD464		
	33H2232	Conduit, 1" o/d x 24G x 16" long	2	DTD464		
	61H2559	DOOR, ACCESS, BALANCE CHAMBER, . BOTTOM, PORT, GROUP (Mod. 569)	1	—		
61H2559/P	DOOR, ACCESS, BALANCE CHAMBER, . BOTTOM, PORT, GROUP (Pre-Mod. 2129)	1	—			
1433363	61H2559/EP	DOOR, ACCESS, BALANCE CHAMBER, . BOTTOM, PORT, GROUP (Mod. 2129)	1	—	B	RA1/7
2659	1H2369	HINGE, BOTTOM, GROUP	1	—	C	RA1/8
	2H2369	Hinge, half	1	DTD610A		
	3H2369	Hinge, half	1	DTD610A		
	4H2369	Pin, hinge, 3/16" dia. x 47-1/2" long ..	1	DTD527		
2660	1H2370	HINGE, TOP, GROUP	1	—	C	RA1/10
	2H2370	Hinge, half	1	DTD610A		
	3H2370	Hinge, half	1	DTD610A		
	4H2370	Pin, hinge, 3/16" x 47-1/2" long	1	DTD327		
		Consisting of:—				

TAIL UNIT

FIN

Ref. No.	Part No.	Description	No. off	Matl. Spec.	Cl. of	Plate and Illust'n No.
					St. M.R.	
		1 2 3 4				
		CHAMBER, BALANCE (50H2555) (Cont'd)				
	1H2561	DOOR, ACCESS, BALANCE CHAMBER, CENTRE PORT, GROUP (Mod. 569)			MR	
	1H2561/P	DOOR, ACCESS, BALANCE CHAMBER, CENTRE PORT, GROUP (Pre-Mod. 2129)	1	—		
1433361	1H2561/EP	DOOR, ACCESS, BALANCE CHAMBER, CENTRE, PORT, GROUP (Mod. 2129)	1	—	B	RA1/12
2660	1H2370	Spares for:— HINGE, TOP, GROUP	1	—	C	RA1/10
		Consisting of:—				
	2H2370	Hinge, half	1	DTD610A		
	3H2370	Hinge, half	1	DTD610A		
	4H2370	Pin, hinge, 3/16" dia. x 47-1/2" long	1	DTD327		RA1/11
2662	1H2371	HINGE, BOTTOM, GROUP	1	—	C	RA1/13
		Consisting of:—				
	2H2371	Hinge, half	1	DTD610A		
	3H2371	Hinge, half	1	DTD610A		
	4H2371	Pin, hinge, 3/16" dia. x 37" long	1	DTD327		RA1/14
	1H2563	DOOR, ACCESS, BALANCE CHAMBER, TOP, PORT, GROUP (Mod. 569)	1	—	MR	
	1H2563/P	DOOR, ACCESS, BALANCE CHAMBER, TOP, PORT, GROUP (Pre-Mod. 2129)	1	—		
1433362	1H2563/EP	DOOR, ACCESS, BALANCE CHAMBER, TOP, PORT, GROUP (Mod. 2129)	1	—	B	RA1/15
2664	1H2372	Spares for:— HINGE, GROUP	1	—	C	RA1/16
		Consisting of:—				
	2H2372	Hinge, half	1	DTD610A		
	3H2372	Hinge, half	1	DTD610A		
	4H2372	Pin, hinge, 3/16" dia. x 22-1/2" long	1	DTD327		RA1/17
28D/1214091	AS1242/2C	ATTACHMENTS—DOORS PART NOS. 61H2559, 1H2561 & 1H2563 Bolt, 2 BA, csk. head	68	—	C	RA1/18
13254	23H2560	FAIRING, BOTTOM, BALANCE CHAMBER, STARBOARD, GROUP (Mod. 569)	1	—	A	

VULCAN Mk. 2

TAIL UNIT

Page RA. 3

FIN

Ref. No.	Part No.	Description	No. off	Matl. Spec.	Cl. of St.	Plate and Illust'n No.
					M.R.	
		1 2 3 4				
		BALANCE, FIN, CHAMBER (50H2555) (Cont'd)				
	23H2560/P	FAIRING, BOTTOM, BALANCE CHAMBER, STARBOARD, GROUP (Pre-Mod. 2129)	1	—		
1433364	23H2560/EP	FAIRING, BOTTOM, BALANCE CHAMBER, STARBOARD, GROUP (Mod. 2129)	1	—	A	
11040	1H2562	FAIRING, CENTRE, BALANCE CHAMBER, STARBOARD, GROUP (Mod. 569)	1	—	MR/B	
	1H2562/P	FAIRING, CENTRE, BALANCE CHAMBER, STARBOARD, GROUP (Pre-Mod. 2129)	1	—		
1433365	1H2562/EP	FAIRING, CENTRE, BALANCE CHAMBER, STARBOARD, GROUP (Mod. 2129)	1	—	MR/B	
	1H2564	FAIRING, TOP, BALANCE CHAMBER, .. STARBOARD, GROUP (Mod. 569)	1	—	MR	
	1H2564/P	FAIRING, TOP, BALANCE CHAMBER, .. STARBOARD, GROUP (Pre-Mod. 2129)	1	—		
1433366	1H2564/EP	FAIRING, TOP, BALANCE CHAMBER, .. STARBOARD, GROUP (Mod. 2129)	1	—	MR/B	
22869	1H2298	OUTLET, CABLE, GROUP	1	—	MR/B	
	35H2555	Strip, sealing, 3/16" thick x 1/2" wide x ... 3' 11" long	1	Sponge rubber		RA1/22
	36H2555	Strip, sealing, 3/16" thick x 1/2" wide x ... 3' 11" long	1	Sponge rubber		RA1/23
	37H2555	Strip, sealing, 3/16" thick x 1/2" wide x ... 3' 0" long	1	Sponge rubber		RA1/24
	38H2555	Strip, sealing, 3/16" thick x 1/2" wide	1	Sponge rubber		RA1/25
	39H2555	Strip, sealing, 3/16" thick x 1/2" wide	1	Sponge rubber		RA1/26
	40H2555	Strip, packing, 1/2" wide, top	1	L72		
	41H2555	Strip, packing, 1/2" wide, bottom	1	L72		
	42H2555	Strip, packing, 1/2" wide, top	1	L72		
	43H2555	Strip, packing, 1/2" wide, bottom	1	L59		
	85H2232	Screw, special, 1-1/8" long	4	S96	MR	RH1/27
	56H2232	Spacer, balance chamber	1	BSS668		RH1/28
	57H2232	Spacer, balance chamber	3	BSS668		RA1/29

TAIL UNIT

FIN

Ref. No.	Part No.	Description	No. off	Mati. Spec.	Cl. of St.	Plate and Illust'n No.
					M.R.	
		1 2 3 4				
		FIN, ASSEMBLY (400H2230) (Cont'd.)				
		EDGE, LEADING, FIN (1H2231)				
		Spares for:—				
		ELEMENT, ANTI-ICING LEADING				
		EDGE, FIN (1H2565)				
		Spares for:—				
28D/1007285	AS1242/1B	Bolt, 4 BA, csk. head	8	—	C	RA2/30
	TEDDINGTON					
27V/5274	FKA/A/3	Element, temperature, skin sensing	2	—	A	RA2/31
28M/1107946	AGS20019/B1	Nut, anchor, 4 BA	8	—	C	
	7H2565	Piece, packing	4	DTD610A		RA2/32
	6H2565	Strip, reinforcing	2	DTD610A		RA2/33
		TUBE, CONDUIT AND ELECTRICAL CABLES TO ANTI-ICING ELEMENTS (1V6795)				
		Spares for:—				
		BRACKET, GROUP	3	—		RA2/34
5X/6751	3V6795	Bung	1	—	C	RA2/35
	HELLERMANN	Bush	1	—		RA2/36
	HV3206					
	21S4284					
	7693V7909	CABLE (112F245) GROUP	1	—		RA2/37
5K/1201351	AGS1617/9	Clip, conduit	4	—	C	RA2/38
	PLESSEY					
	Z61535	Nut, coupling	1	—		RA2/39
	PLESSEY					
	Z1499	Shroud, plug	1	—		RA2/40
	4V6795	Tube, conduit, 22G x 1/2" o/d x 4' 0"	1	—	L56	RA2/41
		FIN, POST, FRONT, BOTTOM JOINT (46H2234)				
		Spares for:—				
	41H2234	FITTING, JOINT, GROUP	1	—		RA3/42
	42H2234	FITTING, JOINT, GROUP	1	—		RA4/43
		Spares for:—				
	4H2360	Bush, 1-7/16" dia. x 1-3/4" long	1	S99		
		Attachments—Fittings, Part Nos. 41 and 42, H2234				
	34H2234	Bolt, special, 1" BSF	2	S99		RA3/44
	35H2234	Bolt, special, 7/8" BSF	2	S99		RA3/45
	36H2234	Bolt, special, 7/8" BSF	2	S99		RA3/46
	37H2234	Bolt, special, 3/4" BSF	4	S99		RA3/47
	38H2234	Bolt, special, 3/4" BSF	2	S99		RA3/48
	39H2234	Bolt, special, 9/16" BSF	2	S99		RA3/49
28M/9153386	A27/WS	Nut, slotted, 1.0" BSF	2	—	C	
28M/4095919	A27/US	Nut, slotted, 7/8" BSF	4	—	C	
28M/4095931	A27/SS	Nut, slotted, 3/4" BSF	6	—	C	
28M/4095918	A27/PS	Nut, slotted, 9/16" BSF	2	—	C	

TAIL UNIT

FIN

Ref. No.	Part No.	Description				No. off	Matl. Spec.	Cl. of St.	Plate and Illust'n No.
		1	2	3	4			M.R.	
		FITTING, JOINT (41 & 42H2234) (Cont'd)							
28P/19241	SP90/G16					10	—	C	
28P/19155	SP90/E12					2	—	C	
28P/19204	SP90/H20					2	—	C	
	43H2234					4	L72		RA3/50
	44H2234					4	L72		RA3/51
	45H2234					2	L72		RA3/52
	24F7753					2	DTD364A		RA3/53
	34F7760					6	L1		RA3/54
	119F9844					4	L65		RA3/55
		FIN, POST, REAR BOTTOM JOINT (38H2235)							
		Spares for:—							
	33H2235					1	—		RA3/56
	34H2235					1	—		RA3/57
		Spares for:—							
	4H2362					1	S98		
		Attachments—Fittings part nos. 33 & 34H2235							
8296	232H2230					2	S99	C	RA3/58
	27H2235					2	S99		RA3/59
	28H2235					4	S99		RA3/60
	29H2235					2	S99		RA3/61
	30H2235					12	S99		RA3/62
28M/4095892	A27/NS					12	—	C	
28M/4095931	A27/3S					2	—	C	
28P/9525532	SP90/E10					10	—	C	
28P/19241	SP90/G16					4	—	C	
	35H2235					4	—		RA3/63
	34F7760					2	L1		RA3/64
	172F9844					10	L72		RA3/65
28W/9419494	SP16/S					1	—	C	
		MOUNTING, V.H.F. AERIAL (1H3047) (Mod. 2304)							
		Spares for:—							
	4H2260					1	DTD610A	MR	RA2/66
	5H2260					1	DTD610A	MR	RA2/67
	2H2260					2	—		RA2/68
	3H3047					1	DTD610A	C	RA2/69
	4H3047					1	—	C	RA2/70
	2H3047					1	DTD610A		RA2/72

TAIL UNIT

FIN

Ref. No.	Part No.	Description	No. off	Matl. Spec.	Cl. of St.	Plate and Illust'n No.
					M.R.	
		1 2 3 4				
		FIN, ASSEMBLY (400H2230) (Cont'd)				
		POINT, SLINGING AT RIB 10 (1H2378)				
		Spares for:—				
28H/4663998	AGS934/ES	Ferrule	8	—	C	RA2/74
	10H2378	Plug, screwed	2	L1	MR	
28R/7135393	AGS935/B	Rod, tie	4	—	C	
		RADIO AND RADAR (T4292) (See—Radio and Radar Installation)				
		RIB, HINGE, No. 3, AFT (1H2275) (Pre-Mod. 2243)				
		RIB, HINGE, No. 3, AFT (1H3027) (Mod. 2243) (Pre-Mod. 2304)				
		RIB, HINGE, No. 3, AFT (5H3027) (Mod. 2304)				
		Spares for:—				
	1H2380	BRACKET, HINGE, GROUP	1	—	MR	RA1/75
		Spares for:—				
	5SS4241	Bush, 1" dia. x .50" long	2	S96	MR	RA1/76
	4H2380	Bush, 15/16" dia. x .50" long	2	S96		RA1/77
		RIB, HINGE, No. 11, AFT (1H2577) (Pre-Mod. 2243)				
		RIB, HINGE, No. 11, AFT (1H3026) (Mod. 2243) (Pre-Mod. 2304)				
		RIB, HINGE, No. 11, AFT (5H3026) (Mod. 2304)				
		Spares for:—				
	1H2257	BRACKET, HINGE, GROUP	1	—	MR	RA1/78
		Spares for:—				
	5SS4241	Bush, 1" dia. x .50" long	2	S96	MR	RA1/76
	4H2380	Bush, 15/16" dia. x .50" long	2	S96		RA1/77
		RIB, HINGE, No. 11, AFT (1H2577) (Pre-Mod. 2243)				
		RIB, HINGE, No. 11, AFT (1H3026) (Mod. 2243) (Pre-Mod. 2304)				
		RIB, HINGE, No. 11, AFT (5H3026) (Mod. 2304)				
		Spares for:—				
	1H2257	BRACKET, HINGE, GROUP	1	—	MR	RA1/78
		Spares for:—				
	5SS4241	Bush, 1" dia. x .50" long	2	S96	MR	RA1/76
	4H2380	Bush, 15/16" dia. x .50" long	2	S96		RA1/77
		RIB, HINGE, No. 18, AFT (1H2584) (Pre-Mod. 2243)				
		RIB, HINGE, No. 18, AFT (1H3025) (Mod. 2243) (Pre-Mod. 2304)				
		RIB, HINGE, No. 18, AFT (5H3025) (Mod. 2304)				
		Spares for:—				
	1H2257	BRACKET, HINGE, GROUP	1	—	MR	RA1/78
		Spares for:—				
	5SS4241	Bush, 1" dia. x .50" long	2	S96	MR	RA1/76
	4H2380	Bush, 15/16" dia. x .50" long	2	S96		RA1/77

TAIL UNIT

FIN

Ref. No.	Part No.	Description				No. off	Matl. Spec.	Cl. of St.	Plate and Illust'n No.
		1	2	3	4			M.R.	
		RIB, HINGE, No. 18, AFT (1H3025) (Cont'd)							
	8H2584	CHANNEL, GROUP				1	—	MR	
	9H2584	Channel, 20G x 8.5" long, make from				1	—	MR	
	12H2584	100SS1793							
	4H2584	Channel, 20G x 4-1/2" x 8-1/2"				1	DTD610A	MR	
	5H2584	Plate, bottom, reinforcing				1	DTD610A	MR	
		Plate, top, reinforcing				1	DTD610A	MR	
	63H2230	Skin, lower, forward, port				1	DTD626	MR	RA2/79
	64H2230	Skin, lower, forward, starboard				1	DTD626	MR	RA2/80
1505374	65H2230	Skin, upper, forward, port				1	DTD626	C	RA2/81
1505375	66H2230	Skin, upper, forward, starboard				1	DTD626	C	RA2/82
	67H2230	Skin, lower, aft, port				1	DTD626	MR	RA2/83
	68H2230	Skin, lower, aft, starboard				1	DTD626	MR	RA2/84
1505376	69H2230	Skin, upper, aft, port				1	DTD626	C	RA2/85
1433774	70H2230	Skin, upper, aft, starboard				1	DTD626	C	RA2/86
	10H2586	TIP, FIN, GROUP (Pre-Mod. 2304)				1	—		RA2/87
		Spares for:—							
	3H2586	Aerial, Gee, copper metal foil, 1/64" or				1	—		RA2/88
		28 SWG							
	5H2586	Lead, earth, "Uniflexpren", 6 cable,				2	—		RA2/89
		10" long							
		PLATES, FIN TIP (1H2373)							
		Consisting of:—							
28M/4095866	AGS2007/C1	Nut, anchor, 2 BA				8	—	C	
	2H2373	Plate, nose				1	L4 or L59	MR	RA2/90
11028	3H2373	Plate, outer side, port				1	DTD610	C	RA2/91
11029	4H2373	Plate, outer side, starboard				1	DTD610	C	RA2/92
	5H2373	Plate, inner side, port				1	DTD610	MR	RA2/93
	6H2373	Plate, inner side, starboard				1	DTD610	MR	RA2/94
	7H2373	Plate, tail end				1	DTD610	MR	RA2/95
28Q/6664	AS2227/304	Pivot, 3/32" dia.				16	—	C	
	G.K.N. LTD.								
	4100/No. 4 x								
	3/16"								
	ROSS								
	COURTNEY								
	WE491	Terminal				2	—		RA2/96
28D/1214091	AS1242/2C	Attachments—Fin Tip (10H2586)							
		Bolt, 2 BA, csk. hd.				64	—	C	RA2/97

TAIL UNIT

FIN

Ref. No.	Part No.	Description	No. off	Matl. Spec.	Cl. of St.	Plate and Illust'n No.
					M.R.	
		1 2 3 4				
1510654	1H3045	TIP, FIN, GROUP (Mod. 2304)	1	—	A	RA2A/132
		Spares for:—				
28D/9709401	AS1242/3C	Bolt, csk. head	8	—		RA2A/133
28D/1007976	AS1242/4C	Bolt, csk. head	106	—		RA2A/134
28D/1007978	AS1242/7C	Bolt, csk. head	5	—		RA2A/135
28D/1214031	AS1242/8C	Bolt, csk. head	4	—		RA2A/136
28D/1214032	AS1242/9C	Bolt, csk. head	47	—		RA2A/137
		INSTALLATION OF FWD. AERIAL	—	—		RA2A/138
		(TS140) (Mod. 2304)				
		Spares for:—				
	5T8140	Angle	1	L85		RA2A/139
	6T8140	Angle	1	L85		RA2A/140
28D/9140649	A25/23C	Bolt, hex. head	4	—		RA2A/141
28D/1011238	A25/3E	Bolt, hex. head	8	—		RA2A/142
28D/1007976	AS1242/4C	Bolt, csk. head	4	—		RA2A/143
28D/9709461	AS1242/3C	Bolt, csk. head	14	—		RA2A/144
	9T8140	FAIRING, GROUP	1	—		RA2A/145
		Spares for:—				
	2T8142	Frame, window	1	—		RA2A/146
28M/4095866	AGS2007/C1	Nut, anchor	18	—		
28M/9435560	AGS2007/E1	Nut, anchor	4	—		
28M/9435649	AGS2018/E1	Nut, anchor	4	—		
	A.E.I.					
	316421/A1	Hood, R7, type 17214	1	—		RA2A/147
	8T8140	Pad, r.a.m. (Make from 78JA/6279018	2	—		RA2A/148
		ECCOSORB AH73) (Emerson & Cumming)				
	3T8140	PANEL, R.A.M., GROUP	1	—		RA2A/149
	4T8140	PANEL, R.A.M., GROUP	1	—		RA2A/150
1510655	1T8365	WINDOW, RADAR, GROUP	1	—	B	RA2A/151
		INSTALLATION OF AFT AERIAL	—	—		RA2A/152
		(T8145) (Mod. 2304)				
		Spares for:—				
	5T8140	Angle	1	L85		RA2A/153
	6T8140	Hinge	1	L85		RA2A/154
28D/9140649	A25/23C	Bolt, hex. head	4	—		RA2A/155
28D/1013172	AS1242/5C	Bolt, csk. head	8	—		RA2A/156
28D/1011238	A25/3E	Bolt, hex. head	8	—		RA2A/157
28D/9709461	AS1242/3C	Bolt, csk. head	14	—		RA2A/158
28D/1007976	AS1242/4	Bolt, csk. head	4	—		RA2A/159
1510656	E/SS134	Bolt	2	—		RA2A/160
1510657	G/SS134	Bolt	1	—		RA2A/161
1510658	H/SS134	Bolt	1	—		RA2A/162
1510659	I/SS134	Bolt	1	—		RA2A/163

VULCAN Mk. 2

TAIL UNIT

Page RA. 7B

FIN

Ref. No.	Part No.	Description				No. off	Matl. Spec.	Cl. of St.	Plate and Illust'n No.
		1	2	3	4			M.R.	
		INSTALLATION OF AFT AERIAL (T8145) (Cont'd.)							
1510660	1SS5845				Ferrule	5	—	C	RA2A/164
	3T8145				FAIRING, GROUP	1	—		RA2A/165
	1T8142				Spares for:—				
28M/4095866	AGS2007/C1				Frame, window	1	—		RA2A/166
28M/9435580	AGS2007/E1				Nut, anchor	18	—		
28M/9435649	AGS2018/E1				Nut, anchor	4	—		
	A.E.I.				Nut, anchor	4	—		
	316421/A1				Head, R7, type 17214	1	—		RA2A/167
	8T8140				Pad, r.a.m. (Make from ECCOSORB AH73) (Emerson & Cumming)	1	—		RA2A/168
	3T8140				PANEL, R.A.M., GROUP	1	—		RA2A/169
	4T8140				PANEL, R.A.M., GROUP	1	—		RA2A/170
1510655	1T8365				WINDOW, RADAR, GROUP	1	—	B	RA2A/171
28M/4095866	AGS2007/C1				Nut, anchor	8	—		
28M/1012015	AGS2001/C1/66				Nut, anchor	56	—		
	2H2373				Plate, nose	1	—		RA2A/172
	6H3045				Plate, outer side, port	1	—		RA2A/173
	7H3045				Plate, outer side, starboard	1	—		RA2A/174
	8H3045				Plate, inner side, port	1	—		RA2A/175
	9H3045				Plate, inner side, starboard	1	—		RA2A/176
	7H2373				Plate, tail end	1	—		RA2A/177
	SP58/E				Washer	56	—		
					Attachments for Fin Tip (1H3045)				
28D/1214091	AS1242/2C				Bolt, 2 BA csk. head	60	—	C	RA2A/178

TAIL UNIT

FIN

Ref. No.	Part No.	Description	No. off	Matl. Spec.	Cl. of St.	Plate and Illust'n No.
					M.R.	
		1 2 3 4				
COMPLEMENTARY ITEMS ATTACHMENT						
FITTINGS FOR ATTACHING FIN TO						
CENTRE SECTION, FUSELAGE (H2230)						
Spares for:—						
ATTACHMENTS AT FRONT FIN POST TO						
REAR SPAR (40H2446)						
Spares for:—						
2070	18H2446	Bolt, special, at shackle	4	S99	C	RA3/98
28D/1202771	A25/4G	Bolt, 5/16" BSF	12	—	C	RA3/99
2072	21H2446	Nut, special, at shackle	4	S96	C	RA3/100
28M/5808571	A27/GS	Nut, slotted, 5/16" BSF	12	—	C	
28P/1040788	SP90/C8	Pin, split, 1/16" dia. x 1" long	12	—	C	
28P/20112	SP90/K20	Pin, split, 3/16" dia. x 2-1/2" long	4	—	C	
	36H2446	Plate, rubbing	2	L72	MR	RA3/101
	33H2446	Shackle	4	S98		RA3/102
	38H2446	Washer, special, under bolt head	4	DTD130		RA3/103
2075	20H2446	Washer, special, under nut	4	S1 or S93	C	RA3/104
28W/9419403	SP13/G	Washer, 5/16" BSF	12	—	C	
ATTACHMENTS AT REAR FIN POST TO						
FORMER 428 (40H2446)						
Spares for:—						
2071	15H2446	Bolt, special, at shackle	4	S99	C	RA3/105
28D/1213768	A30/10J	Bolt, 3/8" BSF	8	—	C	RA3/106
28D/1213431	A30/4J	Bolt, 3/8" BSF	11	—	C	RA3/107
28D/1006942	A25/13G	Bolt, 5/16" BSF	2	—	C	RA3/108
	26F7753	Nut, special, at shackle	4	—	MR	RA3/109
28M/1011476	A27/JS	Nut, slotted, 3/8" BSF	19	—	C	
28M/1202770	AGS2001/G1	Nut, stiff, 5/16"	2	—	C	
28P/1221025	SP90/H16	Pin, split, 5/32" dia. x 2" long	4	—	C	
28P/1040788	SP90/C8	Pin, split, 1/16" dia. x 1" long	19	—	C	
	37H2446	Plate, rubbing	2	L72	MR	RA3/110
	34H2446	Shackle, forward	2	S99		RA3/111
	35H2446	Shackle, rear	2	S99		RA3/112
	13H2446	Shim	As	L72		RA3/113
	14H2446	Shim	Reqd As Reqd	L72		RA3/114
	31H2446	Shim, 2.7" x 2.7" x 16G	2	L73		RA3/115
	23F8775	Washer, special, under bolt head	4	DTD130		RA3/116
2076	25H2446	Washer, special, under nut	4	S1	C	RA3/117
28W/9419466	SP13/J	Washer, 3/8" BSF	19	—	C	
28W/9419476	SP15/G	Washer, 5/16" BSF	2	—	C	

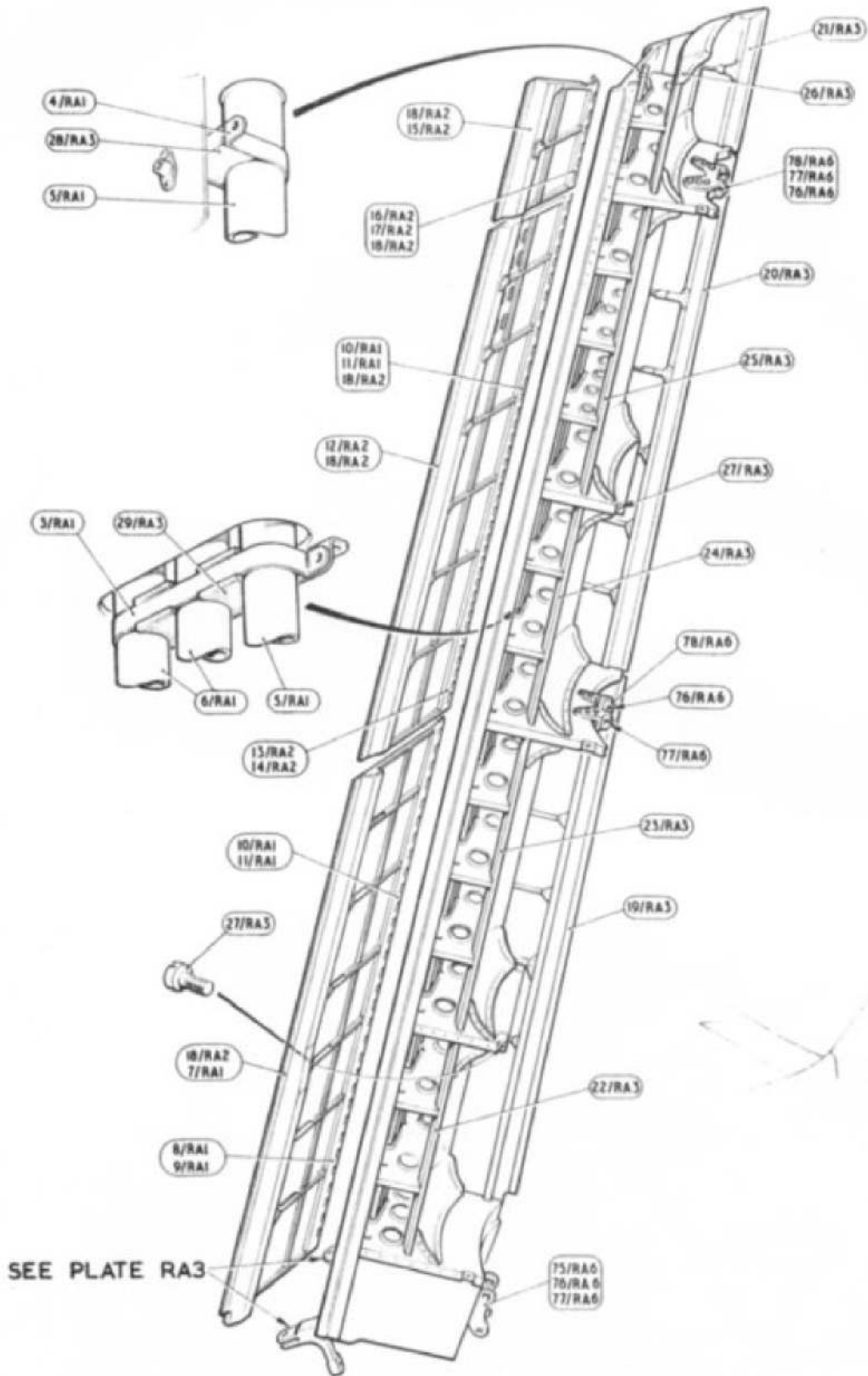
TAIL UNIT
FIN

Ref. No.	Part No.	Description	No. off	Matl. Spec.	Cl. of	Plate and Illust'n No.
					St. M.R.	
		COMPLIMENTARY ITEMS (Cont'd)				
		ATTACHMENTS, FIN FILLET BE- TWEEN REAR SPAR AND FORMER 428 (H2446)				
		Spares for :—				
	7H2446	Angle, port	1	L72		RA2/118
	8H2446	Angle, starboard	1	L72		RA2/119
28D/9436920	A25/1C	Bolt, 2 BA	26	—	C	RA2/120
	3H2446	Fillet, 20G × 8" × 6' 8" long, port ...	1	L72	MR	RA2/121
17676	4H2446	Fillet, 20G × 8" × 6' 8" long, starboard	1	L72	C	RA2/122
28M/17576	AGS2015/C11	Nut, strip, 2 BA, 1" pitch	2	—	C	
28M/4095866	AGS2007/C1	Nut, anchor, 2 BA	122	—	C	
28M/9993192	AGS2009/C1	Nut, anchor, 2 BA	12	—	C	
	5H2446	Plate, 16G × 3" × 6' 8" long, port ...	1	DTD610A		RA2/123
	6H2446	Plate, 16G × 3" × 6' 8" long, starboard	1	DTD610A		RA2/124
	26H2446	Plate, strap, 18G × 6" × 2' 5", port ...	1	DTD610A		RA2/125
	27H2446	Plate, strap, 18G × 6" × 2' 5", stbd. ...	1	DTD610A		RA2/126
	28H2446	Plate, strap, 18G × 6" × 2' 5", Port ...	1	DTD610A		RA2/27
	29H2446	Plate, strap, 18G × 6" × 2' 5", stbd. ...	1	DTD610A		RA2/128
	4SS4353	Screw, 120° csk. head	98	—	MR	RA2/129
	12SS4353	Screw, 120° csk. head	2	—	MR	RA2/130
	30H2446	Strip, saddle, 12G × 2.25" × .265" ...	2	L72		RA2/131

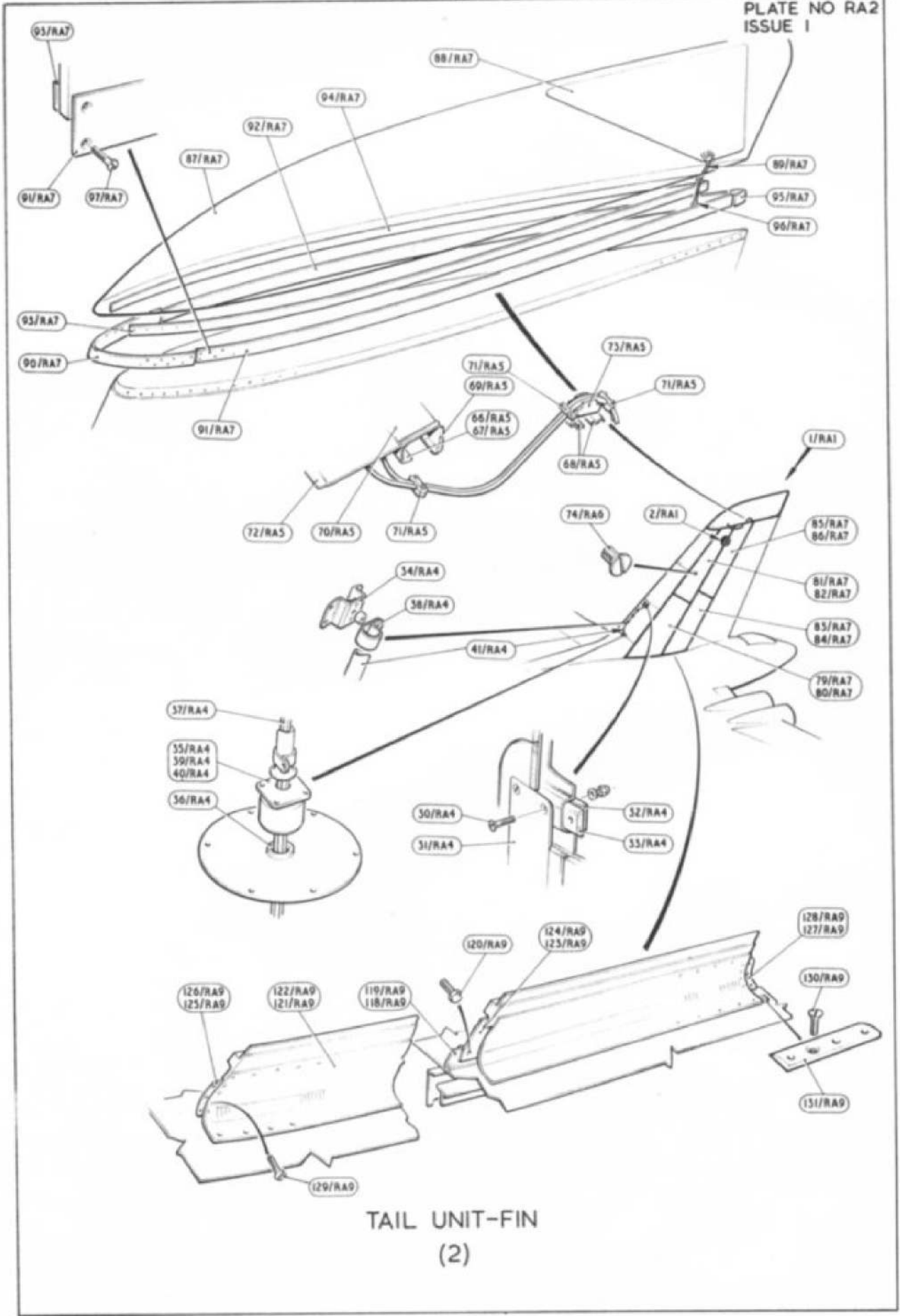
VULCAN Mk. 2

TAIL UNIT—FIN
SUMMARY OF STANDARD ITEMS

Stores Ref.		No. off	Stores Ref.		No. off	Stores Ref.		No. off
Section	Ref. No.		Section	Ref. No.		Section	Ref. No.	
28D	8307	64				28R	6124	4
28D	10410	11						
28D	1006942	2						
28D	1007285	8						
28D	1202771	12						
28D	1213768	8						
28D	1214091	68	28P	19155	2			
28D	9436920	56	28P	19204	2			
			28P	19228	12			
			28P	19229	19			
			28P	19235	10			
			28P	19241	14			
			28P	20112	4			
			28P	1221025	4			
						28W	9419403	12
						28W	9419466	19
28H	6458	8				28W	9419476	2
						28W	9419494	1
			28Q	6664	16			
28M	10291	2						
28M	11957	122						
28M	13259	12						
28M	13415	2						
28M	13416	4						
28M	13590	8						
28M	13774	8						
28M	17576	2						
28M	1011476	19						
28M	5808571	12						
28M	9153386	2						
28M	9993192	12						



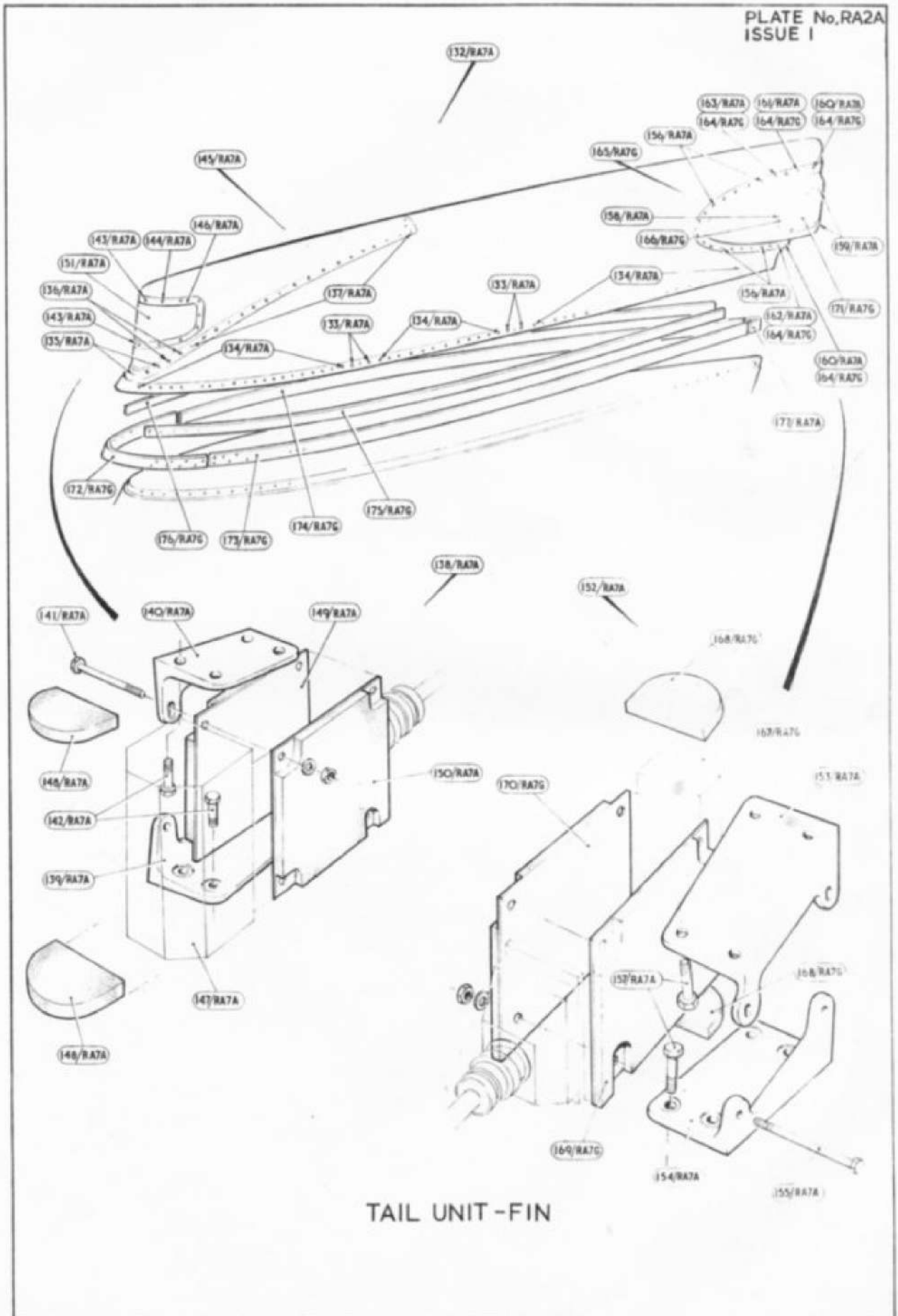
TAIL UNIT-FIN
(1)



TAIL UNIT-FIN
(2)

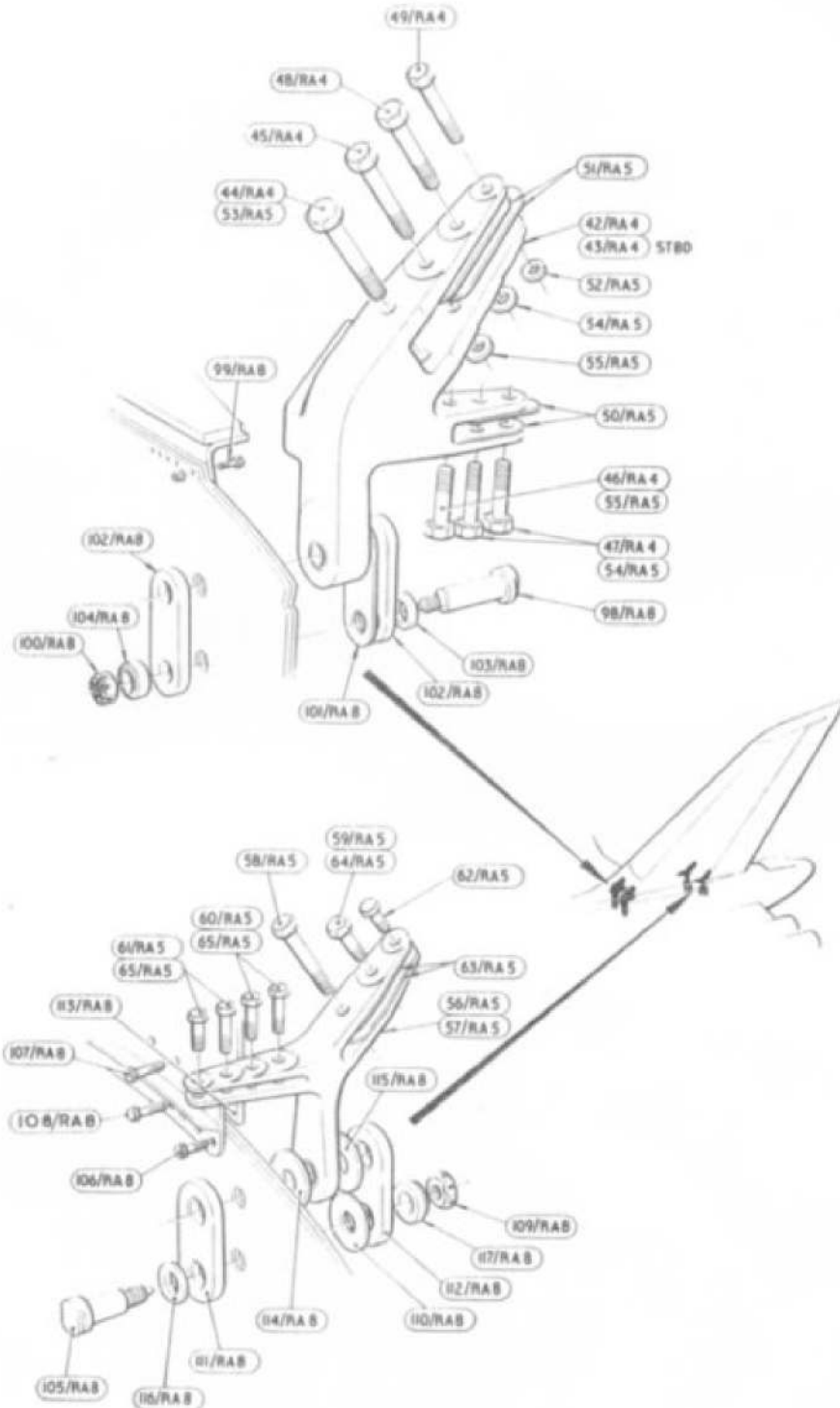
RESTRICTED

PLATE No. RA2A
ISSUE I



TAIL UNIT-FIN

RESTRICTED



TAIL UNIT
FIN

This file was downloaded
from the RTFM Library.

Link: www.scottbouch.com/rtfm

Please see site for usage terms,
and more aircraft documents.

