

VULCAN Mk. 2

## TAIL UNIT

Page RB. 1

## RUDDER

Ref. No.	Part No.	Description	No. off	Mati. Spec.	Cl. of	Plate and Illust'n No.
					St.	
		1 2 3 4				
1432857	1H2760	RUDDER, ASSEMBLY, GROUP ...	1	—		
		(Pre-Mod. 891)				
	30H2760	RUDDER, ASSEMBLY, GROUP ...	1	—		
		(Mod. 891 & Pre-Mod. 2060)				
	30H2760/C	RUDDER, ASSEMBLY, GROUP ...	1	—		
		(Mod. 1877)				
	30H3760/P	RUDDER, ASSEMBLY, GROUP ...	1	—		
	(Mod. 1877)					
	30H3760/PC	RUDDER, ASSEMBLY, GROUP ...	1	—		
		(Pre-Mod. 2060, Mod. 2129)				
	1H2952	RUDDER, ASSEMBLY, GROUP ...	1	—		RB1/1
		(Mod. 2060) (Pre-Mod. 2129)				
	1H2952/PC	RUDDER, ASSEMBLY, GROUP ...	1	—	A	
		(Mod. 2129)				
		(Complimentary parts, e.g. inter component attachments listed at the end of this assembly will not be supplied with the assembly spare, and must be demanded when required)				
		Spares for :—				
28D/1213610	72H2229	Bolt, special, for hinge attachment...	2	S96	MR	RB2/2
	A59/10G	Bolt, for hinge fitting, $\frac{3}{8}$ " BSF ...	4	—	C	RB2/3
2081	1H2426	BRACKET, HOUSING, CENTRE HINGE, GROUP	1	—	C	RB2/4
		Consisting of :—				
2A/9501379	SKEFCO	Bearing ...	1	—	C	RB2/5
2083	22205	Bush ...	2	S1	C	RB2/6
	16F7994	Cap, dust ...	1	S3	MR	RB2/7
	2H2429	Collar ...	1	S96	MR	RB2/8
	4H2356	Housing ...	1	S96	MR	
	2H2426	Nipple, grease (Pre-Mod. 1093) ...	1	—	C	
28N/9156370	SP21	Nipple, grease (Mod. 1093) ...	1	—		
	TECALEMIT					
	NA5700/1					
2082	1H2427	BRACKET, HOUSING, TOP, HINGE, GROUP	1	—	C	RB2/9
		Consisting of :—				
2A/9501379	SKEFCO	Bearing ...	1	—	C	RB2/5
2083	22205	Bush ...	2	S1	C	RB2/6
	16F7994	Cap, dust ...	1	S3	MR	RB2/7
	2H2429	Collar ...	1	S96	MR	RB2/8
	4H2356	Housing ...	1	S96	MR	
	2H2427	Nipple, grease (Pre-Mod. 1093) ...	1	—	C	
28N/9156370	SP21	Nipple, grease (Mod. 1093) ...	1	—		
	TECALEMIT					
	NA5700/1					
28W/9419405	SP15/E	Washer ...	1	—	C	
		Attachments—Brackets Parts Nos. 1H2626 and 1H2427				
28D/9133011	A25/2C	Bolt, 2 BA ...	28	—	C	RB2/10

**TAIL UNIT**  
**RUDDER**

Ref. No.	Part No.	Description	No. off	Matl. Spec.	Cl. of St.	Plate and Illust'n No.
					M.R.	
1 2 3 4						
		<b>RUDDER, ASSEMBLY (30H2760 AND 1H2952) (Cont'd)</b>				
		<b>EDGE, LEADING, AND BALANCE (100H2588) (Pre-Mod. 891) (200H2588) (Mod. 891) (H2945) (Mod. 2060)</b>				
		Spares for :—				
	10H2553	<b>DOOR, ACCESS, MIDDLE HINGE, GROUP</b>	2	—		
	10H2553/P	<b>DOOR, ACCESS, MIDDLE HINGE, GROUP (Pre-Mod. 2129)</b>	2	—		
1433368	10H2553/EP	<b>DOOR, ACCESS, MIDDLE HINGE, GROUP (Mod. 2129)</b>	2	—	C	RB2/11
		Attachments—Part No. 10H2553				
26FP/13689	3SS3237	<b>Screw, 120° csk. hd., 4 BA ...</b>	6	—	C	RB2/12
	8H2553	<b>DOOR, ACCESS, TOP HINGE, GROUP</b>	2	—	MR	
	8H2553/P	<b>DOOR, ACCESS, TOP HINGE, GROUP (Pre-Mod. 2129)</b>	2	—		
1433367	8H2553/EP	<b>DOOR, ACCESS, TOP HINGE ...</b>	2	—	C	RB1/13
		Attachments—Part No. 8H2553				
26FP/13689	3SS3237	<b>Screw, 102° csk. hd., 4 BA ...</b>	4	—	C	RB2/12
		<b>LEVER, OPERATING, AND RUDDER TORQUE SHAFT (1H2753)</b>				
		Spares for :—				
	1H42354	<b>Bolt, special, for lever ...</b>	16	S99	MR	RB1/14
2088	1H2355	<b>BEARING, BOTTOM, GROUP...</b>	1	—	A	RB1/15
		Spares for :—				
	SKEFCO 22206	<b>Bearing ...</b>	1	—		RB1/16
	3H2355	<b>Bush ...</b>	2	S96	MR	RB1/17
	5SS4241	<b>Bush ...</b>	4	S96	MR	RB1/18
	1H2429	<b>Cap, dust ...</b>	1	S3	MR	RB1/19
	4H2355	<b>Collar ...</b>	1	S11 or S94	MR	RB1/20
	2H2355	<b>Housing ...</b>	1	S96	MR	
28N/9156370	SP21	<b>Nipple, grease ...</b>	1	—	C	
	A55/C3	<b>Screw, grub, 2 BA ...</b>	1	—		
	3H2753	<b>Bracket, torque shaft, at rib No. 4 ...</b>	1	—		
	4H2753	<b>Bracket, torque shaft, at rib No. 3 ...</b>	1	—		
	1H2491	<b>LEVER, OPERATING, L.H., GRP.</b>	1	—		RB1/21
	2H2491	<b>LEVER, OPERATING, R.H., GRP.</b>	1	—		RB1/22
		Spares for :—				
	SKEFCO 22205	<b>Bearing ...</b>	1	—	MR	RB1/5
2083	16F7994	<b>Bush ...</b>	2	S1	C	RB1/6
	2H2429	<b>Cap, dust ...</b>	1	S3	MR	RB1/7
	4H2356	<b>Collar ...</b>	1	S2	MR	RB1/8
28N/9156370	SP21	<b>Nipple, grease ...</b>	1	—	C	

TAIL UNIT  
RUDDER

Ref. No.	Part No.	Description				No. off	Matl. Spec.	Cl. of St.	Plate and Illust'n No.
		1	2	3	4			M.R.	
		<b>LEVER, OPERATING AND RUDDER TORQUE SHAFT (1H2753) (Cont'd)</b>							
	8H2354			Plug, red fibre .....	1	BS1216			
	2H2753			Shaft, torque .....	1	S11 or S94		RB1/23	
	9H2354			Washer .....	1	S3 or S1		RB1/24	
26FP/13044	1SS3260			Plate, serial .....	1	—	C		
26FP/13043	1SS3259			Plate, modification record .....	1	—	C		
		<b>SEALING, RUDDER BALANCE (20H2763) (Mod. 1408)</b>							
		Spares for:—							
28D/1013284	AS1248/2C			Bolt, mush. head, 2 BA .....	140	—	C		
	15H2763			SEAL, GROUP .....	1	—	MR	RB1/25	
	16H2763			SEAL, GROUP .....	1	—	MR	RB2/26	
	17H2763			SEAL, GROUP .....	1	—	MR	RB1/27	
	18H2763			SEAL, GROUP .....	1	—	MR	RB1/28	
	19H2763			SEAL, GROUP .....	1	—	MR	RB1/29	
5329	48H2566			Strip, fixing, former No. 4-7A .....	1	L34	MR	RB1/30	
	29H2566			Strip, fixing, former No. 8A-17A .....	1	L34	C	RB2/31	
	30H2566			Strip, fixing, former No. 18A-25A .....	1	L34	MR	RB1/32	
5331	31H2566			Strip, fixing, former No. 26A-34A .....	1	L34	C	RB1/33	
5332	32H2566			Strip, fixing, former No. 35A-41 .....	1	L34	C	RB1/34	
5333	33H2566			Strip, fixing, rib No. 4 .....	1	L34	C	RB1/35	
5334	34H2566			Strip, fixing, rib No. 7 .....	2	L34	C	RB1/36	
	35H2566			Strip, fixing, rib No. 11 .....	2	L34	MR	RB2/37	
5336	36H2566			Strip, fixing, rib No. 14 .....	2	L34	C	RB1/38	
5337	37H2566			Strip, fixing, rib Nos. 18 and 20 .....	3	L34	C	RB1/39	
	44H2566			Strip, fairing, rib No. 4 .....	1	L34		RB1/40	
	82H2588			Skin, support, balance weight nose former No. 1-7A, Port .....	1	L72	MR	RB1/41	
	83H2588			Skin, support, balance weight nose former No. 1-7A, starboard .....	1	L72	MR	RB1/42	
	61H2588			Skin, support, balance weight nose former No. 8-17A, port .....	1	L72	MR	RB2/43	
	62H2588			Skin, support, balance weight nose former No. 8-17A, starboard .....	1	L72	MR	RB2/44	
	63H2588			Skin, support, balance weight nose former No. 18A-25A, port .....	1	L72	MR	RB1/45	
	64H2588			Skin, support, balance weight nose former No. 18H-25A, starboard .....	1	L72	MR	RB1/46	
	65H2588			Skin, support, balance weight nose former No. 26A-34A, port .....	1	L72	MR	RB1/47	
	66H2588			Skin, support, balance weight nose former No. 26A-34A, stbd. .....	1	L72	MR	RB1/48	
	67H2588			Skin, support, balance weight nose former No. 35A-41, port .....	1	L72	MR	RB1/49	

## TAIL UNIT

## RUDDER

Ref. No.	Part No.	Description	No. off	Matl. Spec.	Cl. of St.	Plate and Illust'n No.		
					M.R.			
		1	2	3	4			
		<b>EDGE, LEADING AND BALANCE (H2588, H2945) (Cont'd)</b>						
	68H2588	Skin, support, balance weight nose . . . . . former No. 35A-41, starboard	1	L72	MR	RB1/50		
	84H2588	Weight, balance, port, 2' 1" x 2-3/8" x 1" . .	1	LEAD	MR	RB1/51		
	85H2588	Weight, balance, stbd., 2' 1" x 2-3/8" x 1" . .	1	LEAD	MR	RB1/52		
	51H2588	Weight, balance, port, 3' 7" x 2-3/8" x 1" . .	1	LEAD	MR	RB2/53		
	52H2588	Weight, balance, stbd., 3' 7" x 2-3/8" x 1" . .	1	LEAD	MR	RB2/54		
	53H2588	Weight, balance, port, 2' 8-1/2" x 2-1/8" . . x 1"	1	LEAD	MR	RB1/55		
	54H2588	Weight, balance, stbd., 2' 8-1/2" x 2-1/8" . . x 1"	1	LEAD	MR	RB1/56		
	55H2588	Weight, balance, port, 3' 7" x 2-1/8" x 1" . .	1	LEAD	MR	RB1/57		
	56H2588	Weight, balance, stbd., 3' 7" x 2-1/8" x 1" . .	1	LEAD	MR	RB1/58		
	57H2588	Weight, balance, port, 2-1/2" x 1-7/8" x 1" . .	1	LEAD	MR	RB1/59		
	58H2588	Weight, balance, stbd., 2-1/2" x 1-7/8" x 1" . .	1	LEAD	MR	RB1/60		
		<b>Attachments—Lead Balance Weights</b>						
28D/9140645	A25/10C	Bolt, 2 BA . . . . .	32	—	C	RB2/61		
28D/7002428	A25/6C	Bolt, 2 BA . . . . .	45	—	C	RB1/62		
28D/1011022	A25/18C	Bolt, 2 BA . . . . .	62	—	C	RB2/63		
28M/1012015	AGS2001/C1/66	Nut, stiff, 2 BA . . . . .	77	—	C			
28M/9433473	AGS2002/C1	Nut, stiff, 2 BA . . . . .	63	—	C			
28W/9419402	SP13/C	Washer, 2 BA . . . . .	287	—	C			
	13H2945	Weight, balance, 1.50" x 1.50" x 6.50" . . . .	1	S93		RB1/66		
	14H2945	Weight, balance, 1.50" x 1.50" x 5.0" . . . .	1	S93		RB1/64		
	15H2945	Weight, balance, 1.50" x 1.60" x 4.5" . . . .	1	S93		RB1/66		
	16H2945	Weight, balance, 1.50" x 1.50" x 7.50" . . . .	3	S93		RB1/67		
	22H2945	Weight, balance, 1.50" x 1.50" x 8.50" . . . .	2	S93		RB1/68		
		<b>Attachments—Steel Balance Weights</b>						
28D/9488619	AS1242/17C	Bolt, csk. hd., 2 BA . . . . .	44	—	C	RB1/69		
28M/1012015	AGS2001/C1/66	Nut, stiff, 2 BA . . . . .	44	—	C			
28W/9419402	SP13/C	Washer, 2 BA . . . . .	44	—	C			
	1H2740	FAIRING, UNDER RUDDER, GROUP . . . . . (Pre-Mod. 2C30)	1	—				
	1H2903	FAIRING, UNDER RUDDER, GROUP . . . . . (Mod. 2060)	1	—	MR			
2086	1H2428	FITTING, HINGE, TOP AND CENTRE . . . . . RUDDER TO FIN, GROUP Consisting of:—	2	—	C	RB2/70		
	5SS4241	Bush, lipped . . . . .	2	S96	MR	RB2/71		
	4H2428	Bush, plain . . . . .	2	S96	MR	RB2/72		
	2H2428	Fork . . . . .	1	—		RB2/73		
10120	2Z7132	MOUNTING, RUDDER CONTROL, SURFACE TRANSMITTER (Z7132) Spares for:— BRACKET, MOUNTING, GROUP . . . . .	1	—	C	RB2/74		

**TAIL UNIT**  
**RUDDER**

Ref. No.	Part No.	Description	No. off	Matl. Spec.	Cl. of St.	Plate and Illust'n No.	
					M.R.		
			1	2	3	4	
<b>MOUNTING, RUDDER CONTROL, SURFACE TRANSMITTER (Z7132)</b> (Cont'd)							
9813	3Z7132	<b>BRACKET, LEVER, GROUP</b> ...	1	—	MR	RB2/75	
	4Z7132	<b>CLIP, RETAINING, GROUP</b> ...	1	—	C	RB2/76	
	5Z7132	<b>Lever</b> ... ..	1	—	MR	RB2/77	
	6Z7132	<b>ROD, CONTROL LEVER, GROUP</b> Consisting of:—	1	—	MR	RB2/78	
2516 28M/1006473	1SS4091	<b>Fork-end fitting</b> ... ..	2	S96	C	RB2/29	
	A27/CT	<b>Nut, lock, 2 BA</b> ... ..	2	—	C		
	7Z7132	<b>Rod, screwed</b> ... ..	1	S1	MR	RB2/80	
6A/4102 28M/4095887 28M/4095895 28P/19155 28P/1040788	SANGAMO WESTON S132	<b>Transmitter</b> ... ..	1	—	A	RB2/81	
	A24/QT	<b>Nut, slotted, for hinge fittings</b> ...	2	—	C		
	A24/GS	<b>Nut, slotted, for hinge attachments</b> ...	4	—	C		
	SP90/E12	<b>Pin, split, <math>\frac{3}{16}</math>" dia., for hinge fittings</b> ...	2	—	C		
	SP90/C8	<b>Pin, split, <math>\frac{1}{16}</math>" dia., for hinge attachments</b> ...	4	—	C		
	1H2395	<b>PLUG, SLINGING POINT, CENTRE, GROUP</b>	2	—	MR	RB1/82	
	<b>COMPLEMENTARY ITEMS</b>						
	<b>ATTACHMENT FITTINGS, RUDDER TO FIN (H2230), SHEET 6</b> Consisting of:—						
	6163	231H2230	<b>Bolt, special, <math>\frac{3}{8}</math>" BSF, bottom hinge</b> ...	2	S99	C	RB1/83
		83H2230	<b>Bolt, special, <math>\frac{3}{8}</math>" BSF, top and centre hinge</b>	2	S99	MR	RB2/84
	112R3577	<b>BOLT, GREASER, OUTPUT ROD TO RUDDER LEVER, GROUP</b>	2	—	MR	RB1/85	
28M/4095898 28M/4095892 28P/19155 28P/9525532 28W/9419493	A24/QS	<b>Nut, slotted, <math>\frac{3}{8}</math>" BSF</b> ... ..	4	—	C		
	A27/NS	<b>Nut, slotted, <math>\frac{1}{2}</math>" BSF</b> ... ..	2	—	C		
	SP90/E12	<b>Pin, split, <math>\frac{3}{16}</math>" dia.</b> ... ..	3	—	C		
	SP90/E10	<b>Pin, split, <math>\frac{3}{16}</math>" dia.</b> ... ..	2	—	C		
	SP16/Q	<b>Washer, for <math>\frac{3}{8}</math>" bolt</b> ... ..	4	—	C		
	30F7761	<b>Washer, for <math>\frac{1}{2}</math>" bolt, under head</b> ...	2	—		RB1/86	
27F7761	<b>Washer, for <math>\frac{1}{2}</math>" bolt, under nut</b> ...	2	—		RB1/87		

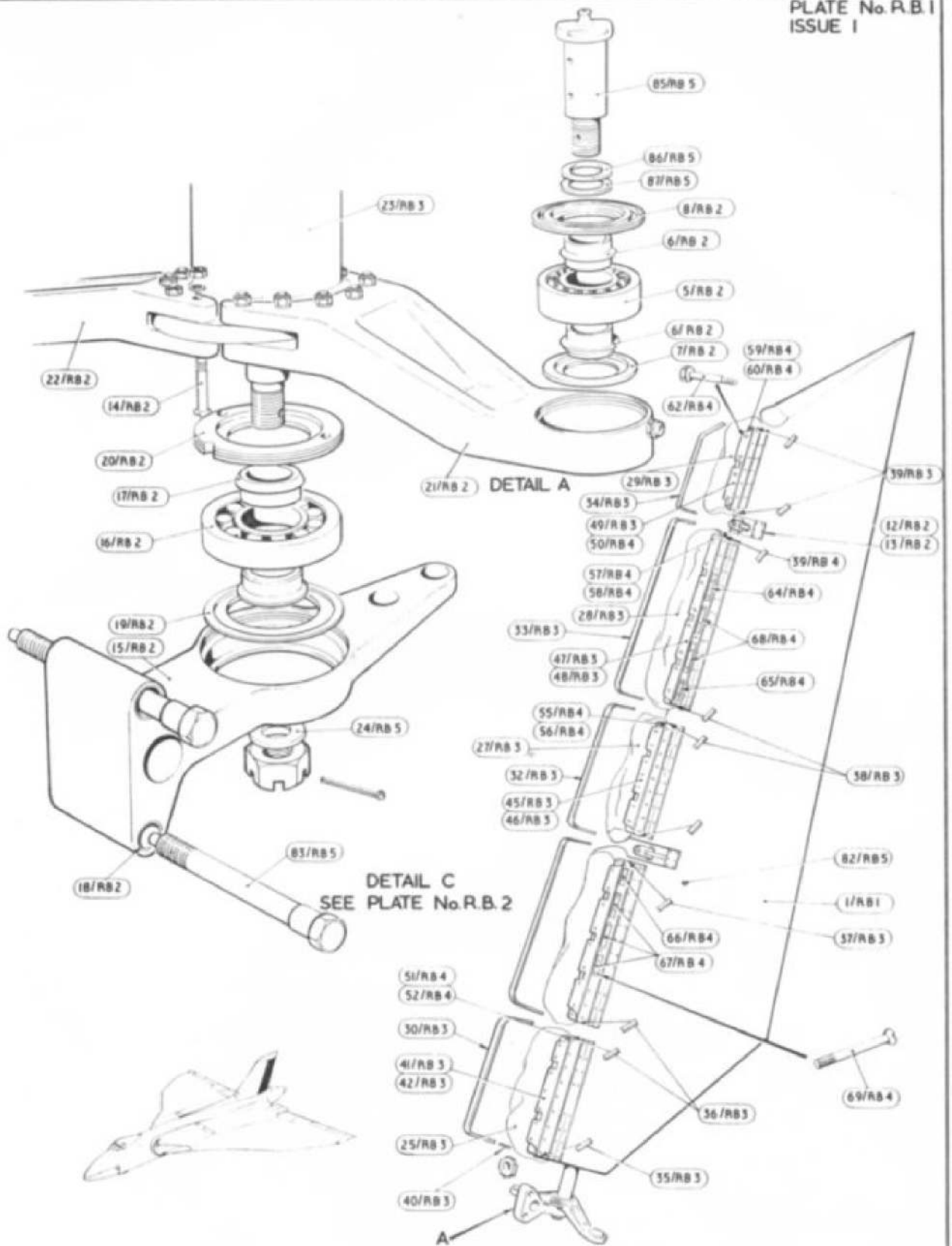


VULCAN Mk. 2

**TAIL UNIT—RUDDER**  
**SUMMARY OF STANDARD ITEMS**

Page RB. 7

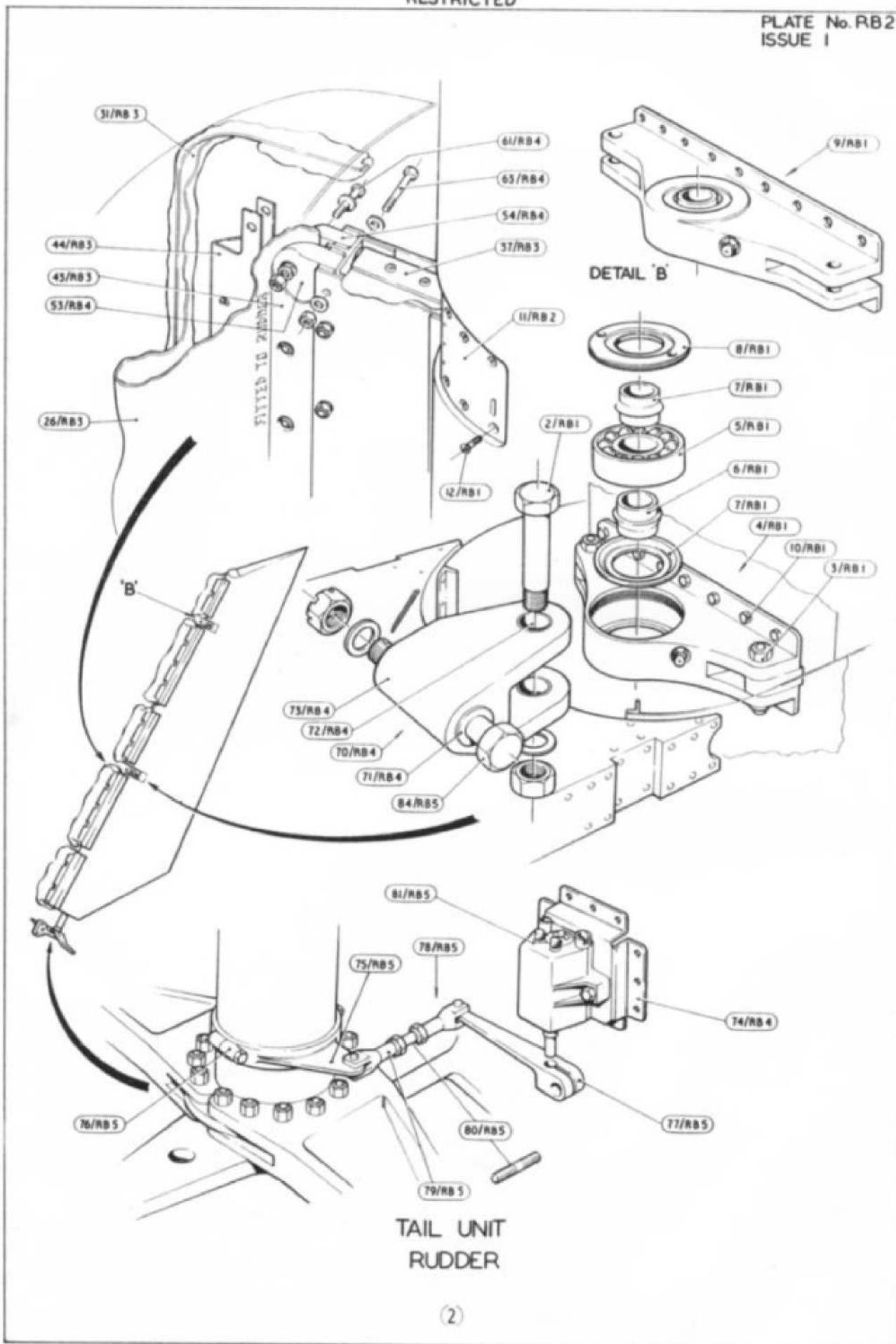
Stores Ref.		No. off	Stores Ref.		No. off	Stores Ref.		No. off
Section	Ref. No.		Section	Ref. No.		Section	Ref. No.	
28D	1013284	140	28N	9156730	3	28W	9419402	331
28D	1213610	4				28W	9419405	1
28D	7002428	45				28W	9419493	4
28D	9133011	28						
28D	9140645	32						
28D	9488619	44						
			28P	19155	5			
			28P	19228	4			
			28P	19235	2			
28M	13245	2						
28M	13259	2						
28M	13267	4						
28M	13270	4						
28M	1006473	2						
28M	1278190	77						
28M	9433473	63						



DETAIL C  
SEE PLATE No.R.B.2

DETAIL A

TAIL UNIT  
RUDDER  
(1)



This file was downloaded  
from the RTFM Library.

Link: [www.scottbouch.com/rtfm](http://www.scottbouch.com/rtfm)

Please see site for usage terms,  
and more aircraft documents.

