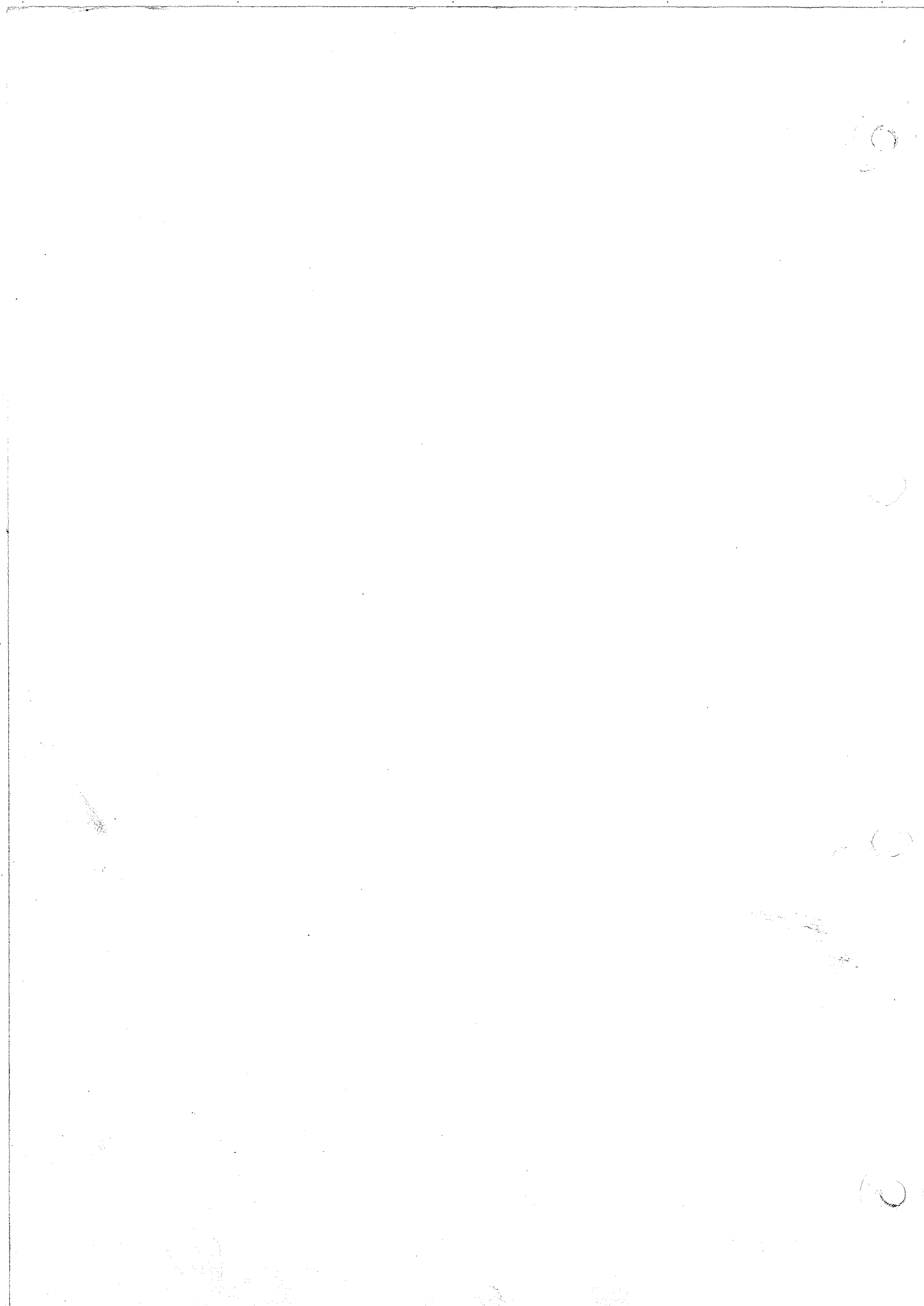


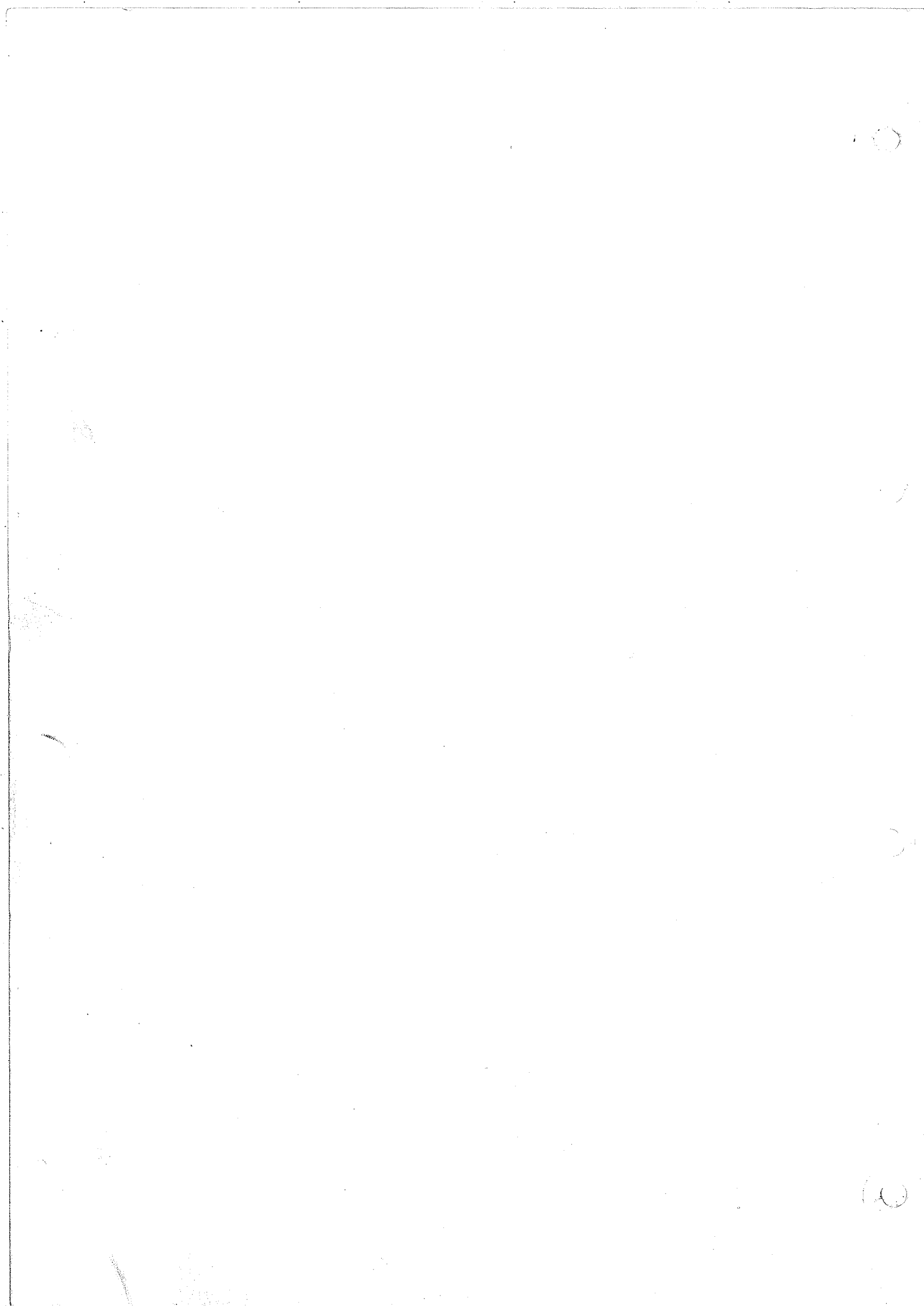
ILLUSTRATED PARTS CATALOGUE
(Completely revised)



MODIFICATION RECORD

Mod No	AL No	Mod No	A1 No	Mod No	AL No	Mod No	AL No	Mod No	AL No	Mod No	AL No
AC9226	8										
AC9515	8										
AC9484	8										
AC10059	8										
AC10189	8										

* Incorporated in initial issue of Catalogue
 NA Mod not applicable to this Catalogue
 C Mod cancelled
 AS Amendment Sheet



ILLUSTRATED PARTS CATALOGUE (-3A)

PREFACE

Demands

1 Requirements for demands are:

1.1 The demand must quote the appropriate Vocabulary Section and Reference/Stock Number for each item. Unreferenced parts are not normally provisioned as spares and demands for such items must quote the Vocabulary Section, Maker's Part Number, and the name and type of the equipment. The location of each part within the equipment should be clearly indicated.

1.2 Demands are to be prepared in accordance with the procedure laid down in AP 830 Volume 1 or BR4.

Local manufacture

2 Parts annotated 'LM' are to be manufactured from local resources. If the manufacture of such items is beyond the capacity of the Unit, the demand is to be endorsed 'Unable to manufacture locally'.

Major repair

3 'MR' indicates that an item is required for major repair purposes only and will not normally be held in store by Units other than those authorised to undertake major repair of the equipment.

Units per assembly

4 The number quoted is the quantity required per next higher assembly in the position shown except 'attaching parts' which quote the quantity required to attach one item. The letters 'AR' in the 'Units per Assy' column indicate that the quantity is 'as required'. Where applicable the quantity normally fitted is shown as a nominal figure, e.g. (Nom 3). Where an item is listed only for reference purposes the letters '(RF)' are quoted.

Classification of equipment

5 The Class of Store is indicated by a single letter as laid down in AP 830 Volume 1 or BR4.

Condition of supply (Interchangeability Code)

6 Condition of Supply is indicated by one of the following letters and is only quoted against parts which are not directly interchangeable:

- V Open up holes on assembly
- W Partially assembled
- X Ream or machine on assembly
- Y Drill or drill and tap on assembly
- Z Trim on assembly

Obsolescent stock

7 An asterisk in the 'Part No' column indicates that no further purchases of the item will be made but the part is to be used until stocks are exhausted.

Modifications

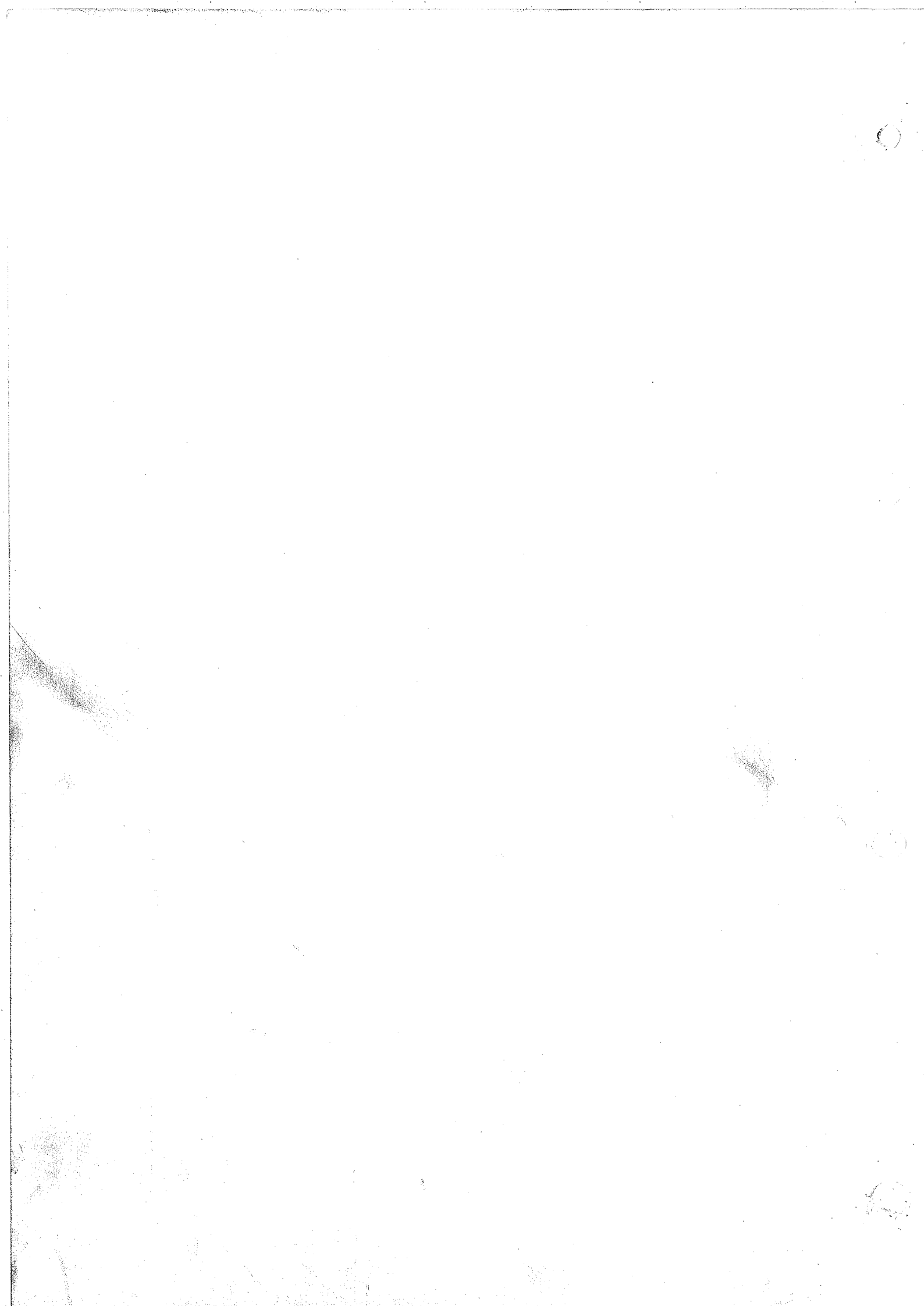
8 When items are affected by a modification, the 'Mod No' is quoted in the Nomenclature. Modifications incorporated in the catalogue are listed in the Modification Record.

Usage code

9 The usage code column is normally left blank indicating full applicability of all items. Where a code letter is shown it indicates that all items with that letter form part of the same assembly or sub-assembly.

INDEX OF REFERENCE NUMBERS
 Ref. No. with less than seven digits

Vocab Sect.	Ref. No.	Part Number	Chap. No.	Fig./ Index No.	ICY/ MR	C of S
28F	12503	AGS1213B		3-35		
28N	16774	SP117		5-11		
				7-65		
28N	17282	SP116		5-28		
28W	17426	SP125E		4-15		
				6-31		
				7-10		
28M	18015	A110PT		1-5		
28W	18251	SP127E		3-20		
				3-26		
				3-32		
28N	18761	AS8455-31		5-50		
28N	18762	AS8455-32		7-63		
28F	18934	AGS3049		4-21		
28W	18996	SP126P		1-6		
28P	19176	SP90G6		5-17		
28P	19227	SP90C6		6-29		
28P	19235	SP90E10		3-16		
				3-38		
				3-53		
				7-29		
				7-85		
28N	19974	AGS3021-09		1-2		
28P	9960	SP4ZB12		3-29		



INDEX OF NATO STOCK NUMBERS

Vocab Sect.	NATO Stock No.	Part Number	Chap. No.	Fig./ Index No.	ICY/ MR	C of S
27G	5840-99-1115230	ACM27014		2-65		C
5F	5970-99-1147500	TY8-S1		2-37		C
5F	5120-99-1147501	TY8-C1		2-38		C
27Q	5306-99-1218396	SP868- $\frac{1}{2}$ E		4-14		C
				7-9		
27Q	5306-99-1218405	SP868-2D		4-3		C
27Q	5306-99-1218407	SP868-6D		6-15		C
27Q	5306-99-1218409	SP868-8D		2-45		C
28W	5310-99-1220067	SP123Q		7-80		C
27Q	5306-99-1232989	SP868-1E		7-26		C
27Q	5306-99-1239953	SP868-3D		2-17		C
27Q	5305-99-1288247	1007U0D46		5-43		C
27Q	5305-99-1288248	1007U0D30		2-27		C
				3-2		
				3-21		
27Q	5305-99-1288252	1007U0E50		3-31		C
27QA	5330-99-1445921	100-008-1109		3-46		C
27Q	3040-99-1446313	SP931C		3-39		C
				3-54		
27Q	5330-99-1446442	711031000		3-48		C
				3-57		C
				3-67		C
27Q	3040-99-1447459	SP931D		7-30		C
27Q	5365-99-1447469	200389632		7-61		C
27Q	1620-99-1447472	200389600		6-39		C
27Q	5306-99-1447477	200268622		6-32		C
27Q	5365-99-1447482	200389635		6-42		C
27Q	5310-99-1447484	200389638		5-16		C
27Q	1620-99-1447488	200389613		6-12		C
27Q	1620-99-1447490	200389233		6-10		C
27Q	1620-99-1447491	200389614		6-9		C
27Q	1620-99-1447492	200389622		6-3		C
27Q	1620-99-1447493	200389623		6-8		B
27Q	1620-99-1447494	200389680		6-25		C
27Q	5310-99-1447497	200389601		6-7		C
27Q	3120-99-1447499	200389651		6-21		C
27Q	1620-99-1447500	200389646		6-4		C
27Q	5315-99-1447501	200389648		6-5		C
27Q	1620-99-1447502	200389647		6-6		C
27Q	5306-99-1447505	200263637		7-35		C
27Q	1620-99-1447507	200454605		7-53		C
27Q	4730-99-1447508	200389658		4-29		C
27Q	4730-99-1447509	200389657		4-22		C
27Q	1620-99-1447510	200389305		7-52		B
27Q	5315-99-1447512	200263636		7-48		C
27Q	5315-99-1447513	200389603		7-38		C
27Q	5310-99-1447515	200389610		7-39		C
27Q	5305-99-1447516	200389609		7-49		C
27Q	1620-99-1447519	100005562		7-54		C
27Q	3120-99-1447520	200454604		7-55		C

INDEX OF NATO STOCK NUMBERS

Vocab Sect.	NATO Stock No.	Part Number	Chap. No.	Fig./ Index No.	ICY/ MR	C of S
27Q	5310-99-1447523	SP865JT		5-34		C
27Q	1620-99-1447524	200389207		5-40		B
27Q	4730-99-1447526	200389654		5-31		B
27Q	5365-99-1447534	200389633		5-49		C
27Q	5340-99-1447536	200389631		5-25		C
				5-47		
27Q	5340-99-1447539	200389634		5-27		C
27Q	1620-99-1447541	200389206		5-20		B
27Q	4730-99-1447544	200389674		3-55		B
27Q	5530-99-1447545	713011011		3-47		C
				3-56		
				3-66		
27Q	4730-99-1447547	200389676		3-50		C
				3-63		
27Q	5330-99-1447548	130035021		3-51		C
				3-64		
27Q	4730-99-1447551	200389665		3-45		C
27Q	1620-99-1447553	200454205		3-49		B
27Q	4730-99-1447561	200389683		3-14		C
27Q	5305-99-1448035	1007U0D74		3-6		C
27Q	1620-99-1448205	760001002		4-7		C
				4-35		
27QM	1620-99-1448209	103614001		1-13		A
				4-16		
27Q	1620-99-1448219	200389715		6-17		B
27Q	1620-99-1448220	200389730		4-39		C
27Q	1620-99-1448221	200389716		6-24		B
27Q	1650-99-1448222	200389723		6-20		C
27Q	5330-99-1448224	1-0075H10VX		4-20		C
27Q	1620-99-1448225	200389709		4-13		C
27Q	1650-99-1448229	200454214		6-22		B
27Q	1620-99-1448231	200389717		5-39		C
27Q	5306-99-1448238	422066		4-27		C
27Q	5340-99-1448461	200389733		4-12		C
27Q	5360-99-1448462	100005671		4-37		C
27Q	1620-99-1448463	200389731		4-36		C
27Q	1620-99-1448464	200389732		4-38		C
27Q	5305-99-1448506	130035720		4-31		C
27Q	5305-99-1448507	130035707		4-2		C
27Q	1620-99-1448583	200454229		6-11		B
27Q	5305-99-1448966	130035304		2-21		C
27Q	5305-99-1448975	130035408		2-60		C
27Q	5330-99-1451033	100-012-1109		1-3		C
				5-32		
27QA	5330-99-1451239	SP818-34		6-14		C
27QA	5330-99-1451240	100-144-1109		6-18		C
27QA	5330-99-1451345	100-901-1109		4-28		C
27QA	5330-99-1451346	100-115-1109		4-8		C
27QA	5330-99-1451567	GD3030-906		3-15		C

INDEX OF NATO STOCK NUMBERS

Vocab Sect.	NATO Stock No.	Part Number	Chap. No.	Fig./ Index No.	ICY/ MR	C of S
27QA	5330-99-1482609	100-016-1109		4-6		C
				4-34		
27Q	5315-99-1490052	200454642		5-33		C
27Q	1620-99-1490238	200454683		2-19		C
27Q	1620-99-1490244	200454667		5-13		C
27Q	3040-99-1490248	200454662		2-52		C
27Q	5315-99-1490249	200454663		2-51		C
27Q	5360-99-1490250	200454666		2-53		C
27Q	3120-99-1490252	KSF0406P		2-57		C
27Q	5365-99-1490255	200454665		2-49		C
27Q	5365-99-1490256	200454669		2-48		C
27Q	5330-99-1490262	200454650		3-58		C
27Q	5330-99-1490263	200454652		3-59		C
				7-32		
27Q	5307-99-1490355	200454690		2-18		C
27Q	5310-99-1490358	200454696		2-4		C
27Q	5365-99-1490359	200454700		2-10		C
27Q	5307-99-1490360	200454701		2-13		C
27Q	5310-99-1490361	200454702		2-9		C
27Q	5307-99-1490364	200454689		4-10		C
27Q	1620-99-1491198	200454270		7-23		B
27Q	1620-99-1491199	200454271		7-11		B
27Q	1620-99-1491209	200454272		7-20		B
27Q	1620-99-1491210	200454273		7-6		B
27Q	5330-99-1491221	130036729		6-26		C
27Q	1620-99-1491302	200454722		2-3		C
27Q	1620-99-1491304	200454723		5-38		C
27QM	4820-99-1491437	104410001		1-11		A
				3-24		
27Q	5365-99-1491489	200758668		7-47		C
27Q	1620-99-1491490	200758667		7-51		B
27Q	1620-99-1491491	200758303		7-46		B
27Q	5310-99-1491492	200758652		5-8		C
27Q	1620-99-1491493	200758232		5-9		B
27Q	5365-99-1491495	200758656		2-47		C
27Q	1620-99-1491496	200758662		5-44		C
27Q	1620-99-1491497	200758663		6-2		C
27Q	5306-99-1491499	200758654		5-5		C
27Q	1620-99-1491500	200758659		2-54		C
27Q	1620-99-1491501	200758660		2-55		C
27Q	1620-99-1491502	200758226		2-56		C
27Q	5307-99-1491503	200758657		2-42		C
27Q	1620-99-1491504	200758653		5-7		C
27QM	1620-99-1491505	200758225		5-45		A
27Q	1620-99-1491506	200758227		5-36		B
27Q	5315-99-1491507	200758661		5-37		C
27Q	5340-99-1491508	299758675		5-35		C
27Q	1620-99-1491509	200758307		4-17		B
27Q	1560-99-1491510	200758228		4-19		B
27Q	4730-99-1491511	200758674		4-18		C
27Q	1560-99-1491512	200758229		4-5		B

INDEX OF NATO STOCK NUMBERS

Vocab Sect.	NATO Stock No.	Part Number	Chap. No.	Fig./ Index No.	ICY/ MR	C of S
27Q	1620-99-1491513	200758306		4-32		B
27Q	1620-99-1491514	200758673		4-24		C
27Q	1620-99-1491515	200758672		7-36		C
27Q	1620-99-1491516	200758671		7-31		B
27Q	1620-99-1491517	200758670		7-33		B
27Q	1620-99-1491518	200758669		7-28		C
27Q	1620-99-1491519	200758224		5-10		C
27Q	1620-99-1491520	200758643		6-38		C
27Q	5365-99-1491521	200758645		6-36		C
27Q	5365-99-1491522	200758644		6-35		C
27Q	1620-99-1491523	200758687		6-33		B
27Q	1620-99-1491524	200758688		6-27		C
27Q	1620-99-1491525	200758642		6-28		C
27QM	1620-99-1491526	100758689		6-34		A
27Q	5330-99-1491527	705040406		3-11		C
27Q	5330-99-1491528	701030406		3-12		C
27Q	5305-99-1491529	1007U0D90		3-9		C
27Q	5365-99-1491530	200758632		3-27		C
27Q	1620-99-1491531	200758214		3-30		C
27Q	1620-99-1491532	200758604		3-34		C
27Q	1620-99-1491533	460004127		3-23		C
27Q	5305-99-1491534	130035733		3-19		C
27Q	1620-99-1491535	200758219		3-8		C
27Q	1560-99-1491536	200758216		3-13		B
27Q	1620-99-1491537	200758221		3-18		B
27Q	5340-99-1491538	200758686		2-22		C
27Q	1560-99-1491539	200758220		3-40		B
27Q	1620-99-1491540	200758616		3-44		B
27Q	1620-99-1491541	200758235		2-35		C
27Q	1620-99-1491542	200758234		3-62		B
27Q	1560-99-1491543	200758205		3-60		B
27Q	5305-99-1491544	130035405		2-33		C
27Q	1680-99-1491545	200758206		2-59		B
27Q	1680-99-1491546	200758207		2-20		B
27Q	5340-99-1491547	200758685		2-28		C
				2-31		
27Q	5340-99-1491548	200758684		2-24		C
27Q	1620-99-1491549	200758647		3-33		C
27Q	3210-99-1491550	200758683		2-7		C
				2-14		
27Q	1620-99-1491578	200758230		7-40		B
27Q	1620-99-1491579	200758236		7-41		B
27Q	5306-99-1491586	200454717		7-18		C
27Q	5306-99-1491587	200454718		7-4		C
27QM	1620-99-1491627	200758002		1-1		A
27Q	3120-99-1491629	200758680		7-57		C
27Q	3120-99-1491630	200758681		7-58		C
27Q	3120-99-1491631	200758679		7-60		C
27Q	1320-99-1491651	200758655		5-48		C
27Q	3120-99-1491652	200758646		6-41		C

INDEX OF NATO STOCK NUMBERS

Vocab Sect.	NATO Stock No.	Part Number	Chap. No.	Fig./ Index No.	ICY/ MR	C of S
27QM	1620-99-1491654	200758237		5-23		A
27Q	5315-99-1491655	200758690		5-19		C
27Q	1620-99-1491656	200758702		4-33		C
27Q	3120-99-1491660	200758649		5-26		C
27Q	9000-99-1491684	700002919		2-61		C
27Q	9000-99-1491685	1-115-20-12TR		2-64		C
27Q	1620-99-1491726	200758238		2-62		C
27Q	1620-99-1491727	200758239		2-63		C
27QM	1620-99-1491827	200758003		1-1A		A
27Q	5340-99-1491828	200758240		7-72		C
27Q	1620-99-1491837	200758241		7-82		C
27Q	5365-99-1491838	200758705		7-75		C
27Q	5365-99-1491839	200758708		7-78		C
27Q	1620-99-1491840	200758709		7-79		C
27Q	5306-99-1481841	SP869-1J		7-77		C
27QM	1620-99-1491881	200758004		1-1B		A
27Q	1560-99-1491884	200758242		3-60A		B
27Q	1620-99-1491891	200758706		7-76		C
5K	5940-99-1958259	D101		2-66		C
→ 27Q	4730-14-3249953	HB-8TF100-BS		2-32		C
27Q	5340-99-4170071	2000Y15		7-68		C
27Q	9905-99-4171677	100002004		7-70		C
27Q	4320-99-4172491	1064U00AA		3-17		C
27Q	5310-99-4172856	SP865DP		2-5		C
				2-8		
				2-12		
				2-15		
				2-44		
				3-5		
27Q	9905-99-4173211	100002037		7-69		C
27QA	5330-99-4535198	100-908-1109		4-26		C
27Q	5365-99-4677885	D718Y13		2-11		C
27Q	5365-99-4697709	1065U0001		5-12		C
				7-66		
10AD	5999-99-6265124	0641-1-2031		2-67		C
27QA	5330-99-6386093	100-010-1109		3-61		C
27QA	5330-99-6456315	100-906-1109		4-23		C
				4-25		
				4-30		
10AC	5330-99-6460412	750030105		3-61		C
27Q	5305-99-6479343	1007U0B30		2-23		C
				2-25		
27Q	5330-99-6480876	750030103		3-46		C
27QM	1620-99-7574675	200758714		6-34A		C
27Q	1620-99-7574676	200758715		6-33A		C
27QM	1620-99-7574677	200758005		1-1C		A
27QM	1620-99-7888346	200758006		1-1D		A
27QM	1620-99-7888347	103614002		1-13A		A
				4-16A		
27Q	1680-99-7908538	200758246		7-20A		B
27Q	1680-99-7908539	200758247		7-6A		B

INDEX OF NATO STOCK NUMBERS

Vocab Sect.	NATO Stock No.	Part Number	Chap. No.	Fig./ Index No.	ICY/ MR	C of S
28M 27QA 28P	5310-99-9414122 5330-99-9485283 5315-99-9525532	A105QS GD1471-13 SP90E-10		7-81 4-9 7-85		C C C

INDEX OF PART NUMBERS

Part Number	Vocab. Sect.	NATO Stock No. Ref. No. or LM	Chap. No.	Fig./ Index No.
ACM27014	27G	5804-99-1115230		2-65
AGS1186B	28F	5330-99-9428456		3-36
AGS1213B	28F	12503		3-35
AGS2118B	28N	5340-99-9526671		1-8
AGS2119C	28N	5340-99-1276100		1-4
AGS3021-09	28N	19974		1-2
AGS3049	28F	18934		4-21
AGS3181-8C	28E	5304-99-1006378		2-26
AS4570-87	28R	5365-99-1277034		6-37
AS5419-4	28E	5340-99-9130611		3-4
AS8455-16	28N	5340-99-1942732		7-62
AS8455-17	28N	5340-99-1207093		7-64
AS8455-31	28N	18761		5-50
AS8455-32	28N	18762		7-63
AS8600D	28M	5310-99-1275904		2-2
A102-10P	28DU	5306-99-9414620		2-29
A103DS	28M	5310-99-9419539		1-7
A103ES	28M	5310-99-9414146		2-40
A103GS	28M	5310-99-9414147		6-30
A105QS	28M	5310-99-9414122		5-3
A110ES	28M	5310-99-9419278		7-81
A110PT	28M	18015		7-3
DC24	28Y	4820-99-2203356		7-17
D101	5K	5940-99-1958259		1-5
D551				3-37
D718Y13	27Q	5365-99-4677885		2-66
GD1471-13	27QA	5330-99-9485283		1-17
GD3030-906	27QA	5330-99-1451567		2-11
HB8TF100BS	27Q	4730-14-3249953		4-9
KSF0406P	27Q	3120-99-1490252		3-15
SP10C	28W	5310-99-9419454		2-32
				2-57
				2-6
				2-16
				2-30
				2-41
				3-3
				3-7
				3-10
				3-22
				3-42
SP90E-10	28P	5315-99-9525532		7-85
SP107J	28W	5310-99-9418085		7-50
SP113C9- $\frac{1}{2}$	28P	5315-99-1220944		3-43
SP115	28N	4730-99-5805330		5-30
				7-42
SP116	28N	17282		5-28
SP117	28N	16774		5-11
				7-65
SP122G	28W	5310-99-1013781		5-6

INDEX OF PART NUMBERS

Part Number	DMC	Reference Number	Fig/Index	C of S or LM	FC
SP123Q	28W	5310-99-1220067	7-80		
SP125D	28W	5310-99-5806394	4-4		
SP125E	28W	17426	4-15		
			6-31		
			7-10		
SP126B	28W	5310-99-9157971	2-34		
SP126D	28W	5310-99-9157972	6-16		
SP126E	28W	5310-99-9128716	7-5		
			7-19		
			7-27		
SP126G	28W	5319-99-9459071	5-4		
SP126J	28W	5310-99-9128797	5-18		
SP126P	28W	18996	1-6		
SP127E	28W	18251	3-20		
			3-26		
			3-32		
SP13C	28W	5310-99-9419402	2-43		
			2-46		
SP15E	28W	5310-99-9419405	4-11		
SP4ZB12	28P	9960	3-29		
SP818-34	27QA	5330-99-1451239	6-14		
SP865DP	27Q	5310-99-4172856	2-5		
			2-8		
			2-12		
			2-15		
			2-44		
			3-5		
SP865JT	27Q	5310-99-1447523	5-34		
SP868-1-2E	27Q	5306-99-1218396	4-14		
			7-9		
SP868-1E	27Q	5306-99-1232989	7-26		
SP868-2D	27Q	5306-99-7760030	4-3		
SP868-3D	27Q	5306-99-1239953	2-17		
SP868-6D	27Q	5306-99-1218407	6-15		
SP868-8D	27Q	5306-99-1218409	2-45		
SP869-1J	27Q	5306-99-1491841	7-77		
SP90C2	28P	5315-99-9508504	3-28		
			3-41		
SP90C3	28P	5315-99-1021104	7-37		
SP90C4	28P	5315-99-9710567	6-19		
SP90C5	28P	5315-99-9486478	2-39		
			5-2		
			7-2		
			7-16		
SP90C6	28P	19227	6-29		
SP90C7	28P	5315-99-9527619	7-34		
SP90E10	28P	19235	3-16		
			3-38		
			3-53		
			7-29		
			7-85		

INDEX OF PART NUMBERS

AP 104B-0102-3A

Part Number	Vocab. Sect.	NATO Stock No. Ref. No. or LM	Chap. No.	Fig./ Index No.
SP90G6	28P	19176		5-17
SP931C	27Q	3040-99-1446313		3-39
				3-54
SP931D	27Q	3040-99-1447459		7-30
S104601				3-25
TY7				2-36
TY8-C1	5F	5120-99-1147501		2-38
TY8-S1	5F	5970-99-1147500		2-37
0641-1-2031	10AD	5999-99-6265124		2-67
1-0075H10VX	27Q	5330-99-1448224		4-20
1-115-20-12TR	27Q	9000-99-1491685		2-64
100002004	27Q	9905-99-4171677		7-70
100002037	27Q	9905-99-4173211		7-69
100002234				7-71
100005562	27Q	1620-99-1447519		7-54
100005671	27Q	5360-99-1448462		4-37
1007U0B30	27Q	5305-99-6479343		2-23
				2-25
1007U0D30	27Q	5305-99-1288248		2-27
				3-2
				3-21
1007U0D46	27Q	5305-99-1288247		5-43
1007U0D74	27Q	5305-99-1448035		3-6
1007U0D90	27Q	5305-99-1491529		3-9
1007U0E50	27Q	5305-99-1288252		3-31
103614001	27QM	1620-99-1448209		1-13
				4-16
103614002	27QM	1620-99-7888347		1-13A
				4-16A
104410001	27QM	4820-99-1491437		1-11
104410604	27Q	1491613		3-24
1064U00AA	27Q	4320-99-4172491		3-17
1065U0001	27Q	5365-99-4697709		5-12
				7-66
130035021	27Q	5330-99-1447548		3-51
				3-64
130035304	27Q	5305-99-1448966		2-21
130035405	27Q	5305-99-1491544		2-33
130035408	27Q	5305-99-1448975		2-60
130035707	27Q	5305-99-1448507		4-2
133035720	27Q	5305-99-1448506		4-31
133035733	27Q	5305-99-1491534		3-19
130036729	27Q	5330-99-1491221		6-26
2000Y15	27Q	5340-99-4170071		7-68
200263636	27Q	5315-99-1447512		7-48
200263637	27Q	5306-99-1447505		7-35
200268622	27Q	5306-99-1447477		6-32
200389206	27Q	1620-99-1447541		5-20
200389207	27Q	1620-99-1447524		5-40
200389233	27Q	1620-99-1447490		6-10

INDEX OF PART NUMBERS

Part Number	Vocab. Sect.	NATO Stock No. Ref. No. or LM	Chap. No.	Fig./ Index No.
200389305	27Q	1620-99-1447510		7-52
200389306				5-22
200389307				5-42
200389600	27Q	1620-99-1447472		6-39
200389601	27Q	5310-99-1447497		6-7
200389603	27Q	5315-99-1447513		7-38
200389609	27Q	5305-99-1447516		7-49
200389610	27Q	5310-99-1447515		7-39
200389611				7-43
200389613	27Q	1620-99-1447488		6-12
200389614	27Q	1620-99-1447491		6-9
200389622	27Q	1620-99-1447492		6-3
200389623	27Q	1620-99-1447493		6-8
200389631	27Q	5340-99-1447536		5-25
				5-47
200389632	27Q	5365-99-1447469		7-61
200389633	27Q	5365-99-1447534		5-49
200389634	27Q	5340-99-1447539		5-27
200389635	27Q	5365-99-1447482		6-42
200389638	27Q	5310-99-1447484		5-16
200389639				5-41
200389640				5-21
200389646	27Q	1620-99-1447500		6-4
200389647	27Q	1620-99-1447502		6-6
200389648	27Q	5315-99-1447501		6-5
200389651	27Q	3120-99-1447499		6-21
200389654	27Q	4730-99-1447526		5-31
200389657	27Q	4730-99-1447509		4-22
200389658	27Q	4730-99-1447508		4-29
200389665	27Q	4730-99-1447551		3-45
200389674	27Q	4730-99-1447544		3-55
200389676	27Q	4730-99-1447547		3-50
				3-63
200389680	27Q	1620-99-1447494		6-25
200389683	27Q	4730-99-1447561		3-14
200389700				6-23
200389709	27Q	1620-99-1448225		4-13
200389715	27Q	1620-99-1448219		6-17
200389716	27Q	1620-99-1448221		6-24
200389717	27Q	1620-99-1448231		5-39
200389723	27Q	1650-99-1448222		6-20
200389730	27Q	1620-99-1448220		4-39
200389731	27Q	1620-99-1448463		4-36
200389732	27Q	1620-99-1448464		4-38
200389733	27Q	5340-99-1448461		4-12
200454205	27Q	1620-99-1447553		3-49
200454214	27Q	1650-99-1448229		6-22
200454229	27Q	1620-99-1448583		6-11
200454270	27Q	1620-99-1491198		7-23
200454271	27Q	1620-99-1491199		7-11

INDEX OF PART NUMBERS

Part Number	DMC	Reference Number	Fig/Index	C of S or LM	FC
200454272	27Q	1620-99-1491209	7-20		
200454273	27Q	1620-99-1491210	7-6		
200454604	27Q	3120-99-1447520	7-55		
200454605	27Q	1620-99-1447507	7-53		
200454622			3-52		
200454636			6-13		
200454642	27Q	5315-99-1490052	5-33		
200454650	27Q	5315-99-1490262	3-58		
200454652	27Q	5330-99-1490263	3-59		
			7-32		
200454662	27Q	3040-99-1490248	2-52		
200454663	27Q	5315-99-1490249	2-51		
200454665	27Q	5365-99-1490255	2-49		
200454666	27Q	5360-99-1490250	2-53		
200454667	27Q	1620-99-1490244	5-13		
200454669	27Q	5365-99-1490256	2-48		
200454683	27Q	1620-99-1490238	2-19		
200454689	27Q	5307-99-1490364	4-10		
200454690	27Q	5307-99-1490355	2-18		
200454696	27Q	5310-99-1490358	2-4		
200454700	27Q	5365-99-1490359	2-10		
200454701	27Q	5307-99-1490360	2-13		
200454702	27Q	5310-99-1490361	2-9		
200454708			7-24		
200454709			7-12		
200454710			7-7		
			7-21		
200454711			7-22		
200454712			7-8		
200454713			7-15		
200454714			7-14		
200454715			7-13		
200454716			7-25		
200454717	27Q	5306-99-1491586	7-18		
200454718	27Q	5306-99-1491587	7-4		
200454722	27Q	1620-99-1491302	2-3		
200454723	27Q	1620-99-1491304	5-38		
200758002	27QM	1620-99-1491627	1-1		
200758003	27QM	1620-99-1491827	1-1A		
200758004	27QM	1620-99-1481881	1-1B		
200758005	27QM	1620-99-7574677	1-1C		
200758006	27QM	1620-99-7888346	1-1D		
200758205	27Q	1560-99-1491543	3-60		
200758206	27Q	1680-99-1491545	2-59		
200758207	27Q	1680-99-1491546	2-20		
200758214	27Q	1620-99-1491531	3-30		
200758216	27Q	1560-99-1491536	3-13		
200758219	27Q	1620-99-1491535	3-8		
200758220	27Q	1560-99-1491539	3-40		
200758221	27Q	1620-99-1491537	3-18		

INDEX OF PART NUMBERS

Part Number	DMC	Reference Number	Fig/Index	C of S or LM	FC
200758222			6-40		
200758224	27Q	1620-99-1491519	5-10		
200758225	27QM	1620-99-1491505	5-45		
200758226	27Q	1620-99-1491502	2-56		
200758227	27Q	1620-99-1491506	5-36		
200758228	27Q	1560-99-1491510	4-19		
200758229	27Q	1560-99-1491512	4-5		
200758230	27Q	1620-99-1491578	7-40		
200758231			7-56		
200758232	27Q	1620-99-1491493	5-9		
200758233			2-50		
200758234	27Q	1620-99-1491542	3-62		
200758235	27Q	1620-99-1491541	2-35		
200758236	27Q	1620-99-1491579	7-41		
200758237	27QM	1620-99-1491654	5-23		
200758238	27Q	1620-99-1491726	2-62		
200758239	27Q	1620-99-1491727	2-63		
200758240	27Q	5340-99-1491828	7-72		
200758241	27Q	5340-99-1491837	7-82		
200758242	27Q	5340-99-1491884	3-60A		
200758244			7-56A		
200758245		1680-99-7619655	7-82A		
200758246	27Q	1680-99-7908538	7-20A		
200758247	27Q	1680-99-7908539	7-6A		
200758248			7-56B		
200758249			7-56D		
200758250			7-56C		
200758251			7-56E		
200758300			6-43		
200758302			5-51		
200758303	27Q	1620-99-1491491	7-46		
200758304			7-44		
200758305			7-67		
200758306	27Q	1620-99-1491513	4-32		
200758307	27Q	1620-99-1491509	4-17		
200758309			7-45		
200758310			5-29		
200758313			7-67A		
200758314			7-67B		
200758315			7-67D		
200758316			7-67C		
200758317			7-67E		
200758604	27Q	1620-99-1491532	3-34		
200758616	27Q	1620-99-1491540	3-44		
200758632	27Q	5365-99-1491530	3-27		
200758642	27Q	1620-99-1491525	6-28		
200758643	27Q	1620-99-1491520	6-38		
200758644	27Q	5365-99-1491522	6-35		
200758645	27Q	5365-99-1491521	6-36		
200758646	27Q	3120-99-1491652	6-41		
200758647	27Q	1620-99-1491549	3-33		
200758649	27Q	3120-99-1491660	5-26		

INDEX OF PART NUMBERS

Part Number	DMC	Reference Number	Fig/Index	C of S or LM	FC
200758650			5-24		
			5-46		
200758651			5-15		
200758652	27Q	5310-99-1491492	5-8		
200758653	27Q	1620-99-1491504	5-7		
200758654	27Q	5306-99-1491499	5-5		
200758655	27Q	1320-99-1491651	5-48		
200758656	27Q	5365-99-1491495	2-47		
200758657	27Q	5307-99-1491503	2-42		
200758658			2-58		
200758659	27Q	1620-99-1491500	2-54		
200758660	27Q	1620-99-1491501	2-55		
200758661	27Q	5315-99-1491507	5-37		
200758662	27Q	1620-99-1491496	5-44		
200758663	27Q	1620-99-1491497	6-2		
200758667	27Q	1620-99-1491490	7-51		
200758668	27Q	5365-99-1491489	7-47		
200758669	27Q	1620-99-1491518	7-28		
200758670	27Q	1620-99-1491517	7-33		
200758671	27Q	1620-99-1491516	7-31		
200758672	27Q	1620-99-1491515	7-36		
200758673	27Q	1620-99-1491514	4-24		
200758674	27Q	4730-99-1491511	4-18		
200758675	27Q	5340-99-1491508	5-35		
200758676			5-14		
200758677			3-65		
200758678			7-59		
200758679	27Q	3120-99-1491631	7-60		
200758680	27Q	3120-99-1491629	7-57		
200758681	27Q	3120-99-1491630	7-58		
200758683	27Q	3120-99-1491550	2-7		
			2-14		
200758684	27Q	5340-99-1491548	2-24		
200758685	27Q	5340-99-1491547	2-28		
			2-31		
200758686	27Q	5340-99-1491538	2-22		
200758687	27Q	1620-99-1491523	6-33		
200758688	27Q	1620-99-1491524	6-27		
200758689	27QM	1620-99-1491526	6-34		
200758690	27Q	5315-99-1491655	5-19		
200758702	27Q	1620-99-1491656	4-33		
200758705	27Q	5360-99-1491838	7-75		
200758706	27Q	1620-99-1491891	7-76		
200758708	27Q	5365-99-1491839	7-78		
200758709	27Q	1620-99-1491840	7-79		
200758712			7-84		
200758713			7-83		
200758714	27QM	1620-99-7574675	6-34A		
200758715	27Q	1620-99-7574676	6-33A		
200758717			7-73		

INDEX OF PART NUMBERS

Part Number	DMC	Reference Number	Fig/Index	C of S or LM	FC
200758718		5330-99-1491892	7-73A		
200758720			7-84A		
200758721			7-22A		
200758722			7-8A		
422066	27Q	5306-99-1448238	4-27		
460004127	27Q	1620-99-1491533	3-23		
700002919	27Q	9000-99-1491684	2-61		
701030406	27Q	5330-99-1491528	3-12		
705040406	27Q	5330-99-1491527	3-11		
750030103		5330-99-6480876	3-46		
750030105	10AC	5330-99-6460412	3-61		
750030107			1-3		
			5-32		
750030113			4-8		
750030428			6-18		
750030504			4-6		
			4-34		
750030701			4-28		
750030706			4-23		
			4-25		
			4-26		
750030708			4-30		
711031000	27Q	5330-99-1446442	3-48		
			3-57		
			3-67		
713011011	27Q	5330-99-1447545	3-47		
			3-56		
			3-66		
760001002	27Q	1620-99-1448205	4-7		

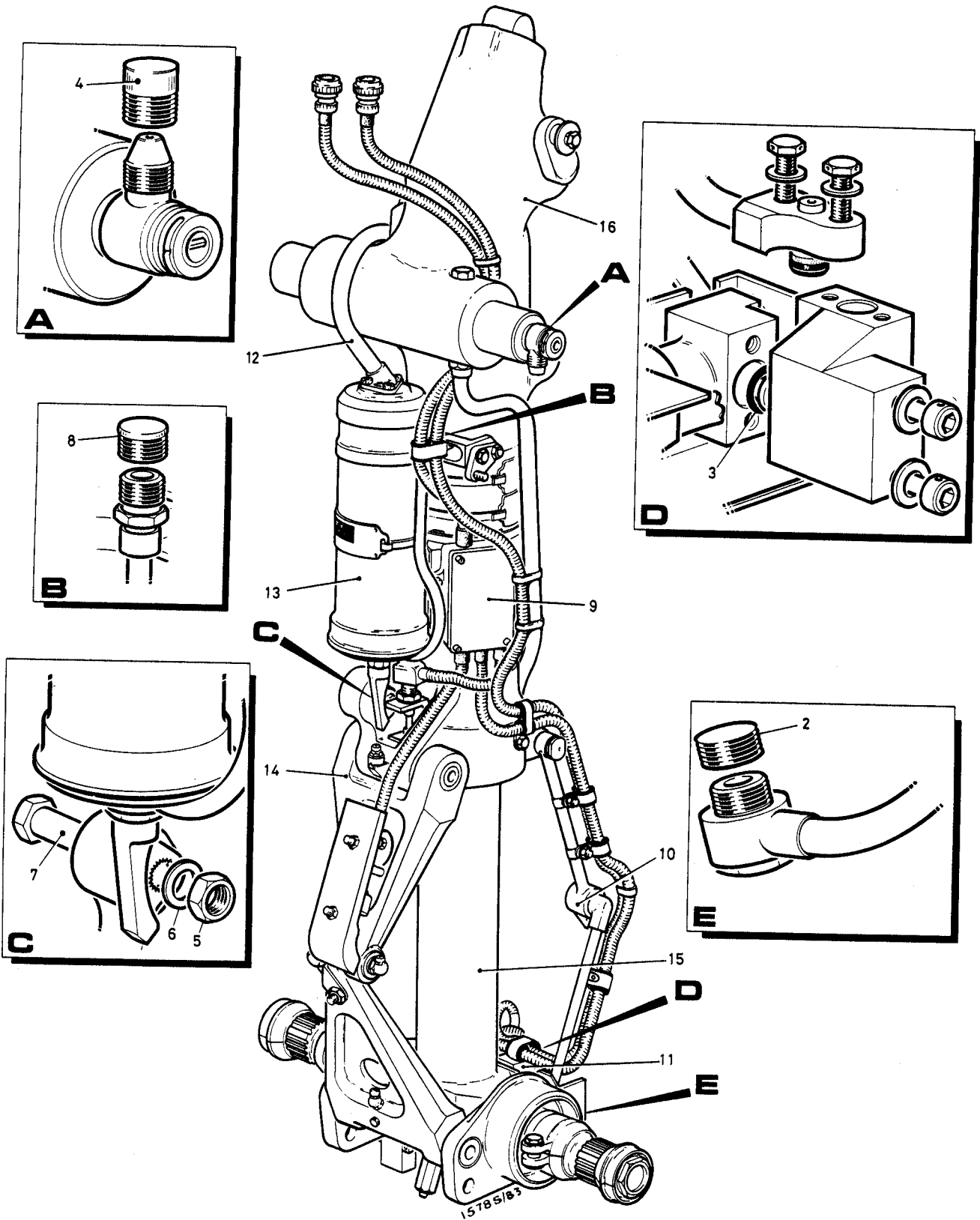


Fig.1 Main undercarriage

MAIN UNDERCARRIAGE

Fig./ Index No.	Part No.	Nomenclature						Usage Code	Units per Assy
		1	2	3	4	5	6		
1- 1+	200758002	Undercarriage, Main						A	RF
1A+	200758003	Undercarriage, Main						B	RF
1B+	200758004	Undercarriage, Main						C	RF
1C+	200758005	Undercarriage, Main						D	RF
1D+	200758006	Undercarriage, Main						E	RF
2	AGS3021-09	Cap, protection)							2
3	750030107	O-ring)							1
4	AGS2119C	Cap, protection) trans-							1
5	A110PT	Nut) portation							1
6	SP126P	Washer) and							1
7	A102-10P	Bolt) storage							1
8	AGS2118B	Cap, protection)							1
9	-	. Harness sub-assemblies and associated details (for detail breakdown see fig.2)							RF
10	-	. Pipe sub-assemblies and associated details (for detail breakdown see fig.3)							RF
11	104410001	. Valve unit - shuttle							RF
12	-	. Recuperator pipe sub-assemblies and associated details (for detail breakdown see fig.4)							RF
13	103614001 or	. Recuperator unit (Pre Mod. AC10189) (Alternative)						ABCD	1
13A+	103614002	. Recuperator unit (Post Mod. AC10189)						E	1
14	-	. Torque link sub-assemblies and associated details (for detail breakdown see fig.5)							RF
15	-	. Sliding member sub-assembly and associated details (for detail breakdown see fig.6)							RF
16	-	. Main fitting sub-assembly and associated details (for detail breakdown see fig.7)							RF
17+	D551	. Plate assembly, protection (transportation and storage)						E	2

+ Item not illustrated

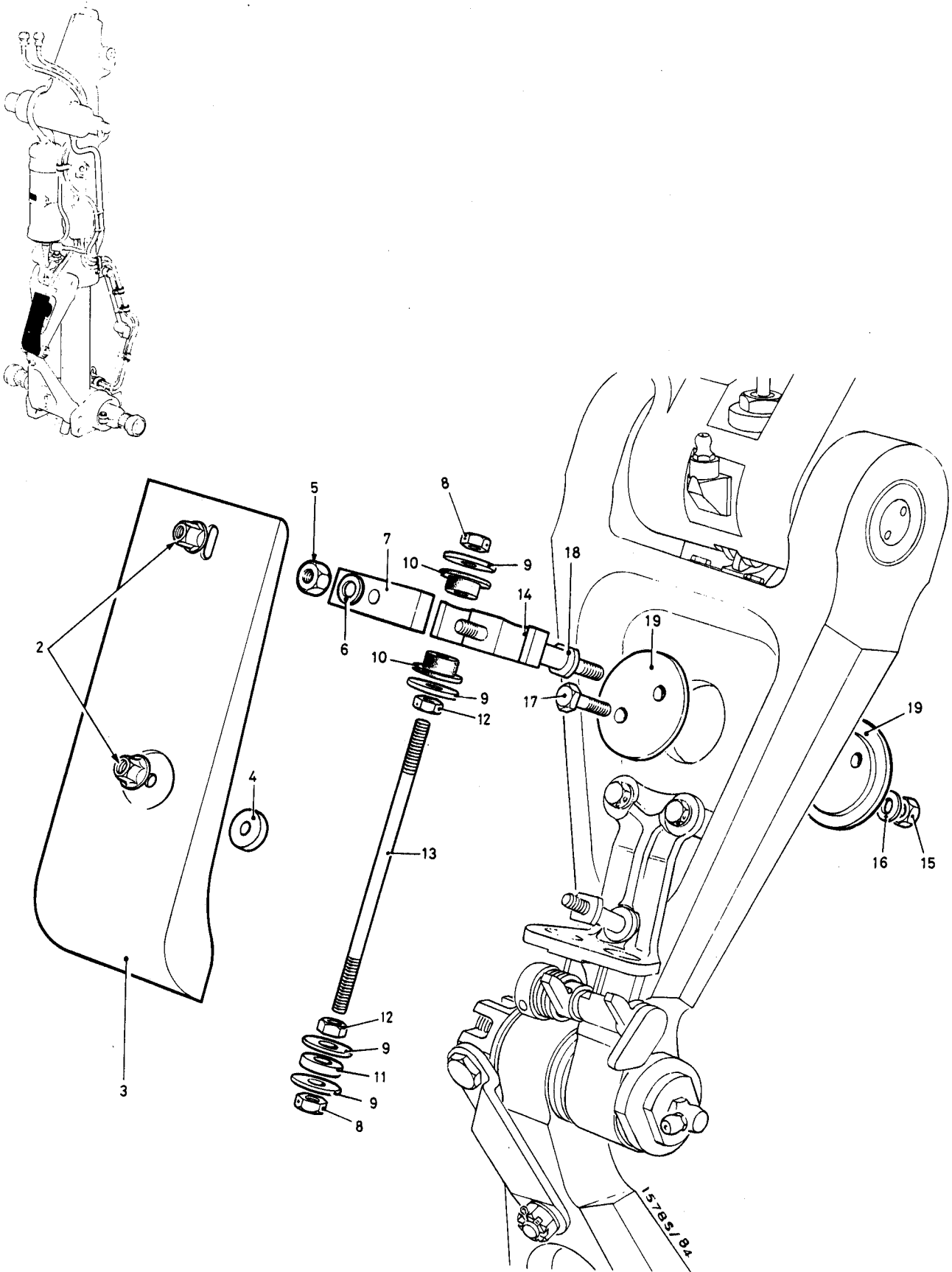


Fig.2 Harness sub-assemblies and associated details (sheet 1)

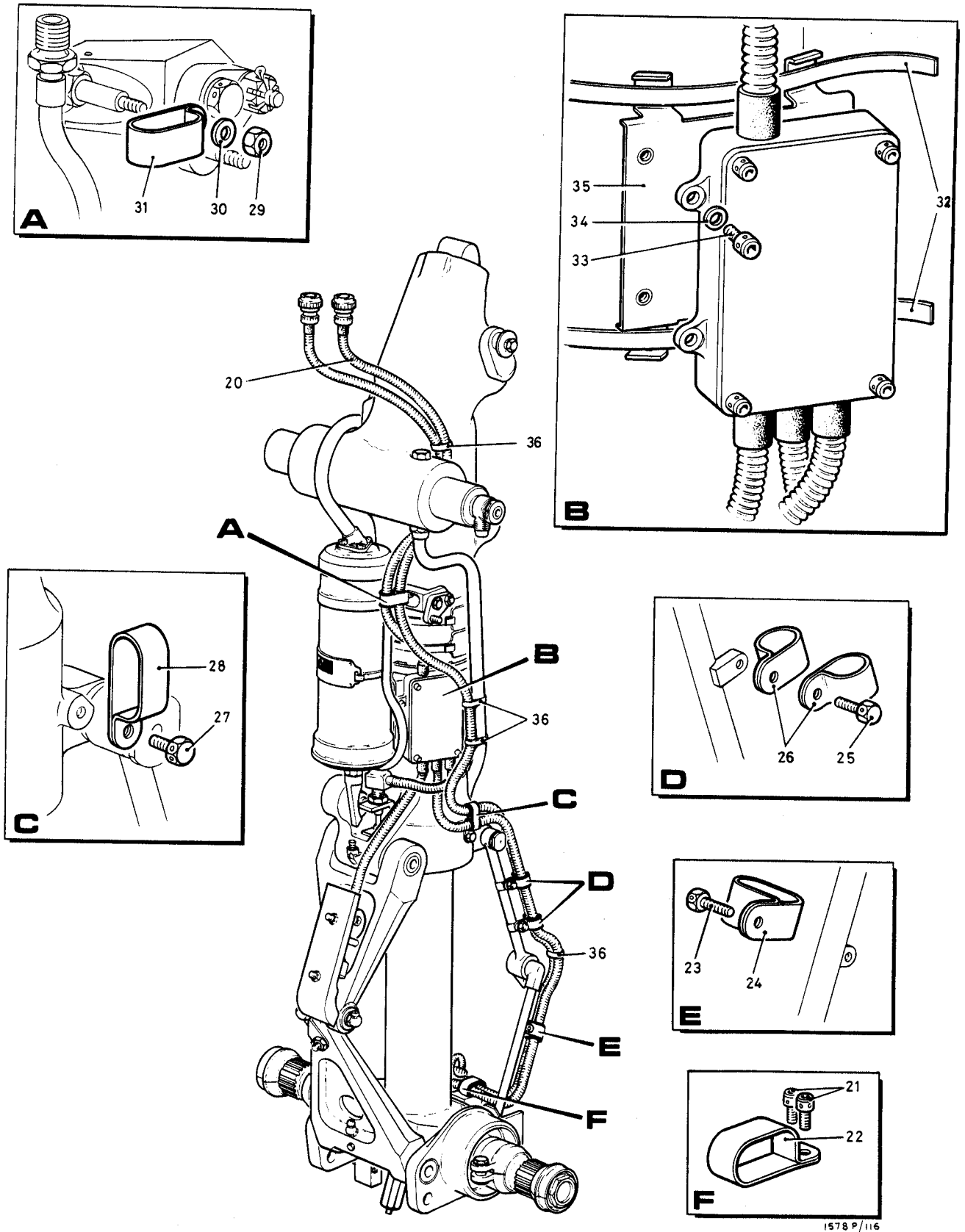


Fig.2 Harness sub-assemblies and associated details (sheet 2)

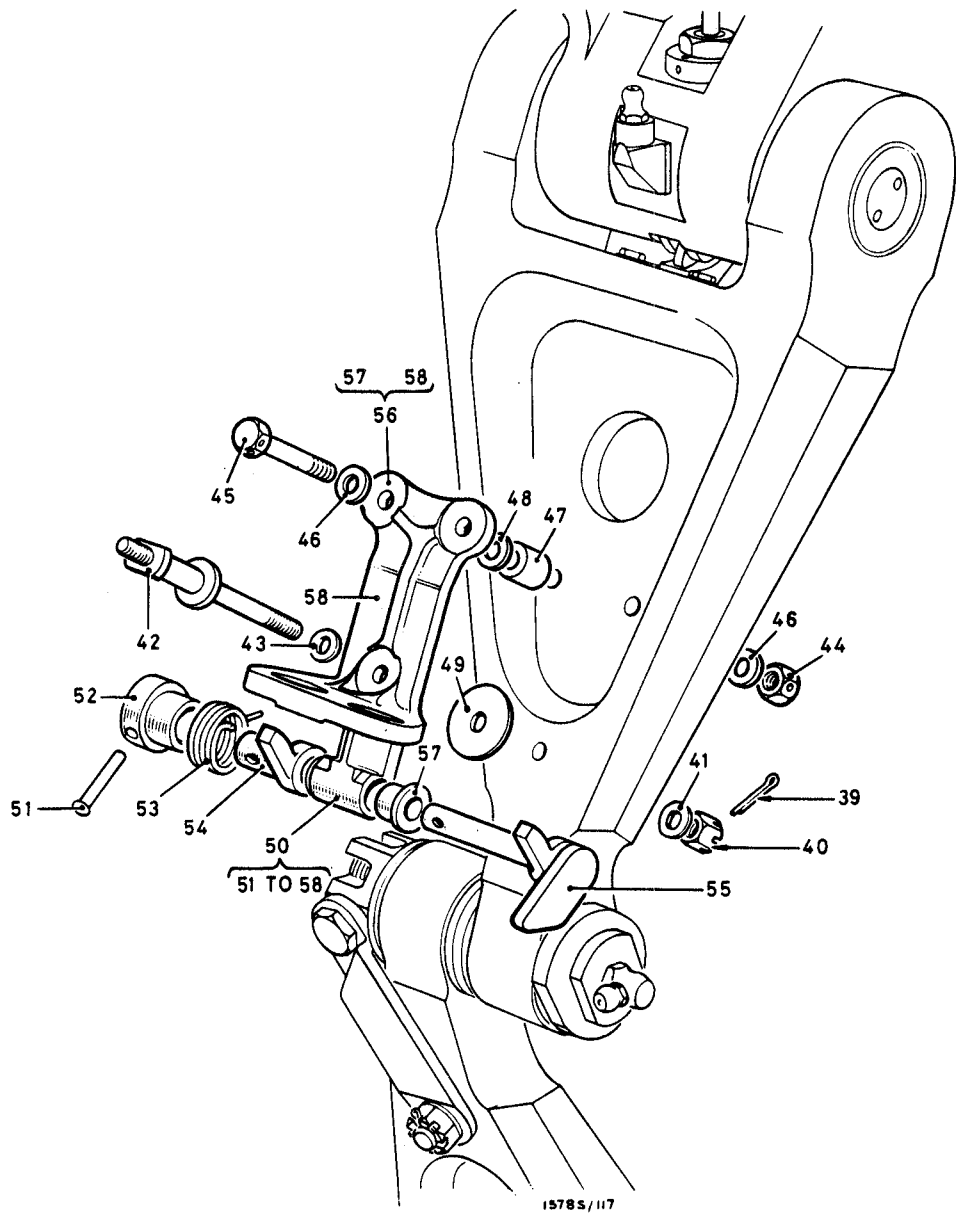
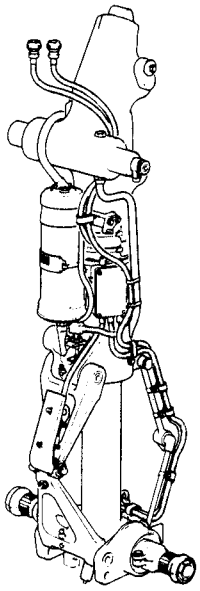


Fig.2 Harness sub-assemblies and associated details (sheet 3)

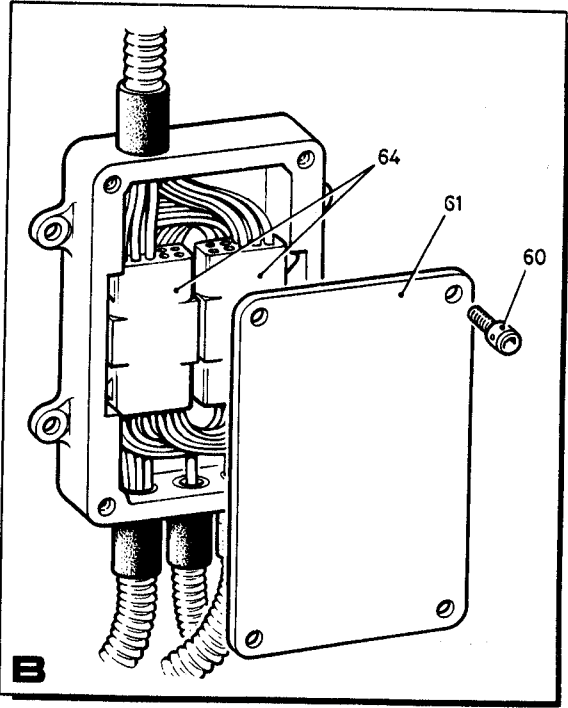
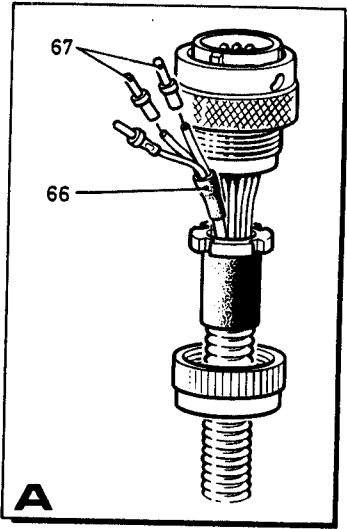
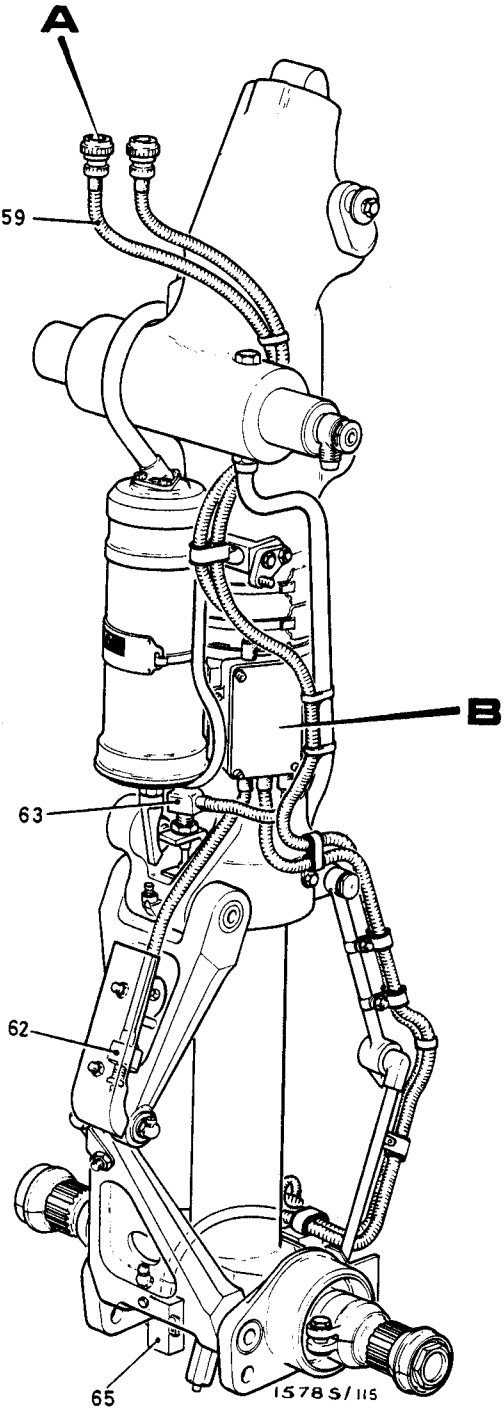


Fig.2 Harness sub-assemblies and associated details (sheet 4)

MAIN UNDERCARRIAGE

Fig./ Index No.	Part No.	Nomenclature						Usage Code	Units per Assy
		1	2	3	4	5	6		
2- 1+	-	Harness sub-assemblies and associated details							RF
2	AS8600D	. Nut, stiff							2
3	200454722	. Guard							1
4	200454696	. Spacer							1
5	SP865DP	. Nut							1
6	SP10C	. Washer							1
7	200758683	. Block, clamp							1
8	SP865DP	. Nut							2
9	200454702	. Washer							4
10	200454700	. Bush							2
11	D718Y13	. Washer							1
12	SP865DP	. Nut							2
13	200454701	. Bar, tie							1
14	200758683	. Block, clamp							1
15	SP865DP	. Nut							2
16	SP10C	. Washer							2
17	SP868-3D	. Bolt							1
18	200454690	. Stud							1
19	200454683	. Clamp							2
20	200758207	. Harness sub-assembly - emergency brake - complete							1
21	130035304	Attaching parts Screw, cap							2
22	200758686	Clip							1
23	1007U0B30	Bolt							1
24	200758684	Clip							1
25	1007U0B30	Bolt							2
26	AS3181-8C	Clip							4
27	1007U0D30	Bolt							1
28	200758685	Clip							1
29	AS8600D	Nut, stiff							1
30	SP10C	Washer							1
31	200758685	Clip							1
32	HB8TF100BS	Strap sub-assembly - complete							2
33	130035405	Screw, cap							4
34	SP126B	Washer							4
35	200758235	Bracket sub-assembly - complete							1
36	TY7 or	Ty-rap (P501793) (U1748) (Alternative)							4
37+	TY8-S1	Strapping (P320841)(K1793)							4
38+	TY8-C1	Closure, stud (P320842) (K1793) (Used with Pt.No. TY8-S1)							
39	SP90C5	. Pin, split							1
40	A103DS	. Nut							1
41	SP10C	. Washer							AR (3max)

+ Item not illustrated

Fig./ Index No.	Part No.	Nomenclature						Usage Code	Units per Assy
		1	2	3	4	5	6		
2-42	200758657	. Stud							1
43	SP13C	. Washer							1
44	SP865DP	. Nut							2
45	SP868-8D	. Bolt							2
46	SP13C	. Washer							4
47	200758656	. Spacer							2
48	200454669	. Shim							2
49	200454665	. Shim							1
50	200758233	. Mounting, switch and camshaft sub-assembly							1
51	200454663	. . Pin							1
52	200454662	. . Collar							1
53	200454666	. . Spring							1
54	200758659	. . Cam							1
55	200758660	. . Camshaft							1
56	200758226	. . Mounting, weight-on-ground switch sub-assembly							1
57	KSF0406P	. . . Bush (P314493) (K5269)							2
58	200758658	. . . Bracket, mounting							1
59	200758206	. Harness sub-assembly - main							1
60	130035408	. . Screw, cap							4
61	700002919	. . Lid, module box (K0653)							1
62	200758238	. . Switch, micro, rudder pedal shaker sub-assembly							1
63	200758239	. . Switch, micro, weight-on-ground, sub-assembly							1
64	1-115-20-12TR	. . Box, junction (K0653)							2
65	ACM27014	. . Sensor unit, brake (K0137)							1
66	D101	. . Sleeve, solder (K1010)							1
67	0641-1-2031	. . Pin (K1316)							2

+ Item not illustrated

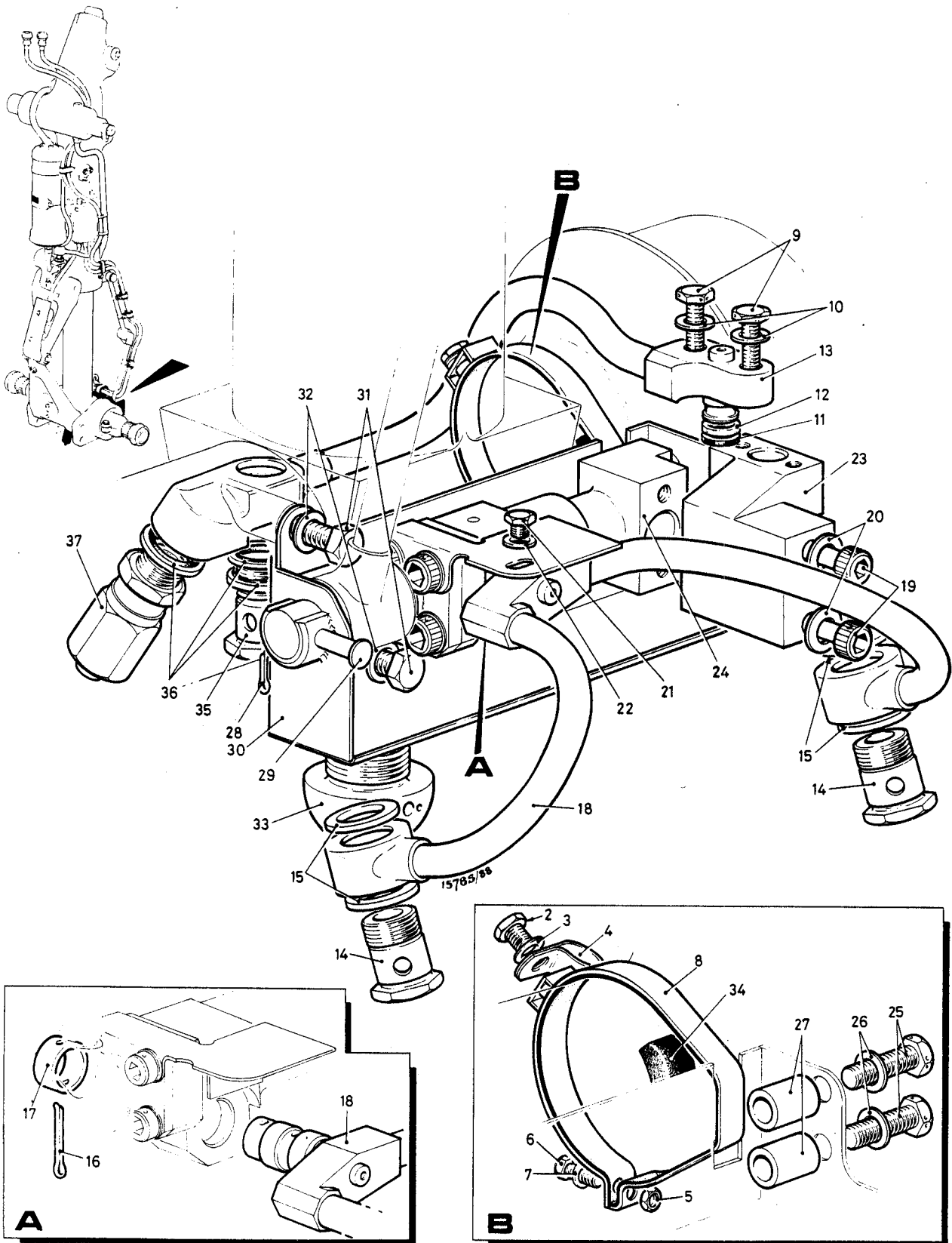
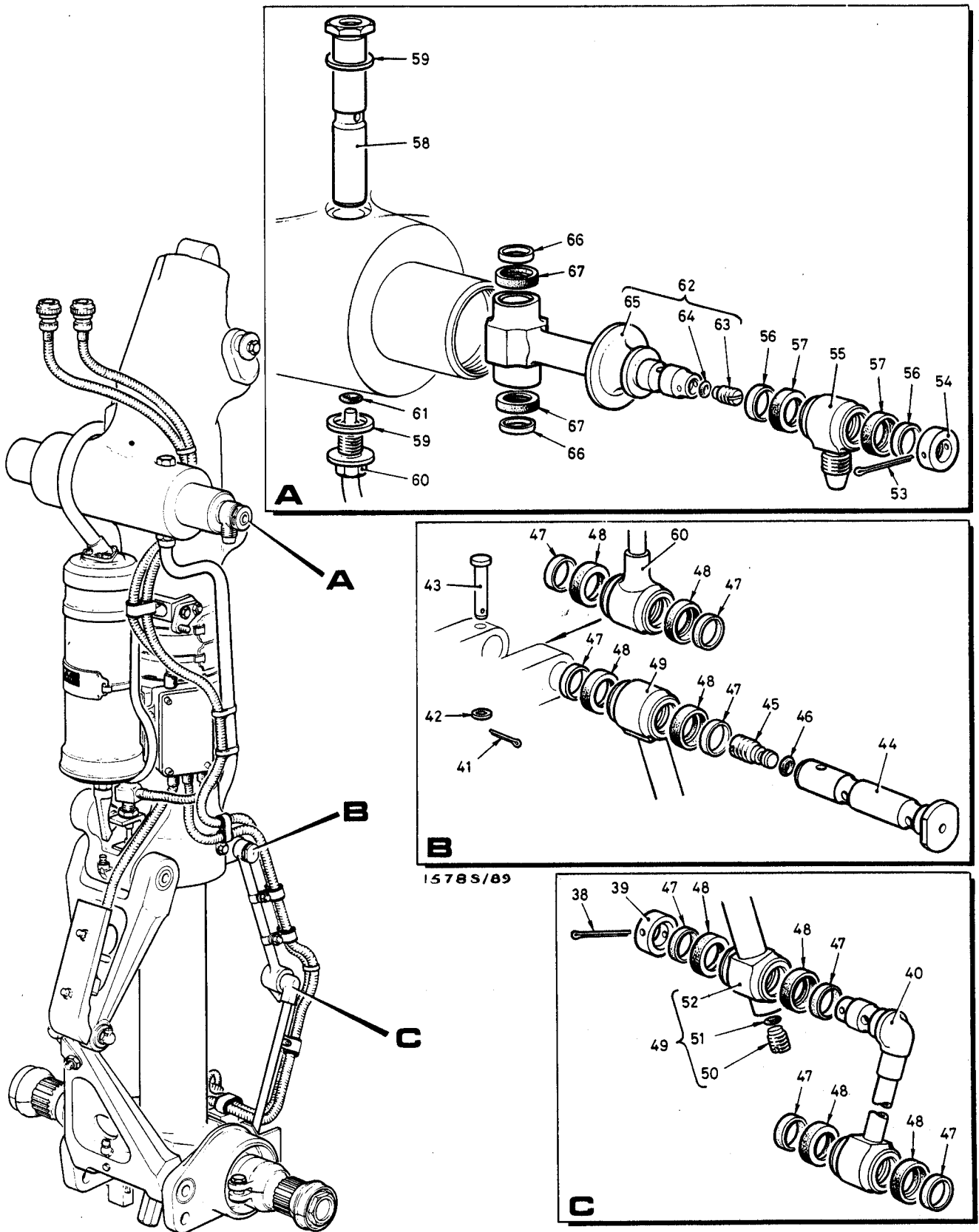


Fig.3 Pipe sub-assemblies and associated details (sheet 1)



15785/89

Fig.3 Pipe sub-assemblies and associated details (sheet 2)

Fig./ Index No.	Part No.	Nomenclature 1 2 3 4 5 6	Usage Code	Units per Assy
3- 1+	-	Pipe sub-assemblies and associated details		RF
2	1007UOD30	. Bolt		1
3	SP10C	. Washer		1
4	AS5419-4	. Clip		1
5	SP865DP	. Nut		1
6	1007UOD74	. Bolt		1
7	SP10C	. Washer		1
8	200758219	. Strap sub-assembly - complete		1
9	1007UOD90	. Bolt		2
10	SP10C	. Washer		2
11	705040406	. Ring, backing		1
12	701030406	. Ring, sealing		1
13	200758216	. Pipe sub-assembly - complete		1
14	200389683	. Bolt, banjo		2
15	GD3030-906	. Gasket, metal		4
16	SP90E10	. Pin, split		1
17	1064U00AA	. Collar		1
18	200758221	. Pipes sub-assembly - complete		1
19	130035733	. Screw, cap		2
20	SP127E	. Washer		2
21	1007UOD30	. Bolt		1
22	SP10C	. Washer		1
23	460004127	. Block, transport		1
24	104410001	. Valve unit - shuttle		1
25	S104601	Attaching parts Bolt		2
26	SP127E	Washer		2
27	200758632	Spacer		2
28	SP90C2	Pin, split		1
29	SP4ZB12	Pin		1
30	200758214	. Guard sub-assembly		1
31	1007U0E50	Attaching parts Bolt		2
32	SP127E	Washer		2
33	200758647	Pad, jacking		1
34	200758604	. . Pad		1
35	AGS1213B	. Bolt, banjo		1
36	AGS1186B	. Seal, bonded		3
37	DC24	. Valve, nitrogen charging (K0012)		1
38	SP90E10	. Pin, split		1
39	SP931C	. Collar		1
40	200758220	. Pipe, swivel, sub-assembly - complete		1
41	SP90C2	. Pin, split		1
42	SP10C	. Washer		1
43	SP113C9- $\frac{1}{2}$. Pin, shear		1
44	200758616	. Post, swivel		1
45	200389665	. Plug		1
46	750030103	. O-ring		1

+ Item not illustrated

MAIN UNDERCARRIAGE

Fig./ Index No.	Part No.	Nomenclature						Usage Code	Units per Assy
		1	2	3	4	5	6		
3-47	713011011		8
48	711031000		8
49	200454205		1
50	200389676		1
51	130035021		1
52	200454622		1
53	SP90E10		1
54	SP931C		1
55	200389674		1
56	713011011		2
57	711031000		2
58	200454650		1
59	200454652		2
60	200758205	AB	1
	or								
60A	200758242	CDE	1
61	750030105		1
62	200758234		1
63	200389676		1
64	130035021		1
65	200758677		1
66	713011011		2
67	711031000		2

+ Item not illustrated

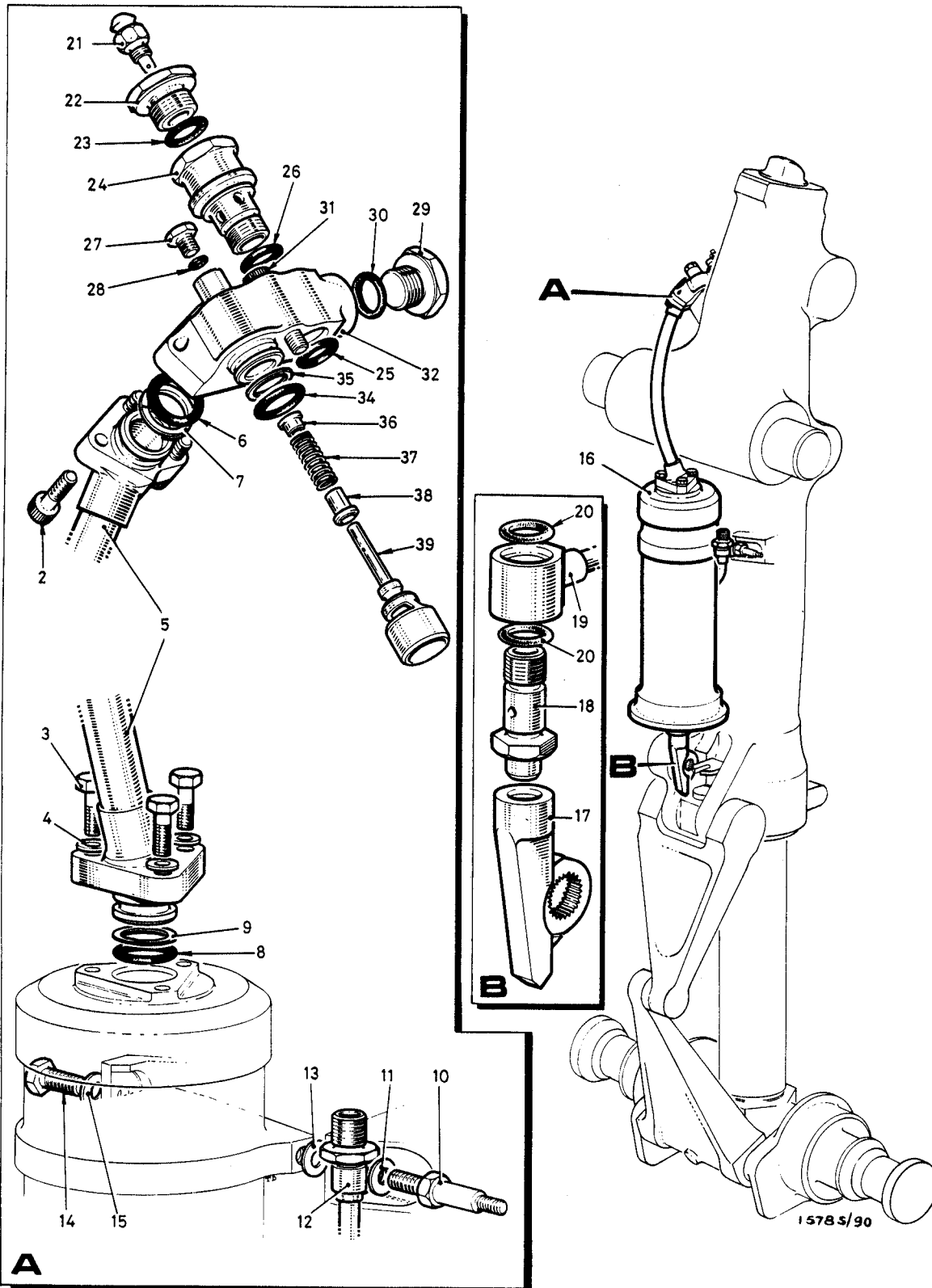


Fig.4 Recuperator pipe sub-assemblies and associated details

Fig./ Index No.	Part No.	Nomenclature	Usage Code	Units per Assy
4- 1+	-	Recuperator pipe sub-assemblies and associated details		RF
2	130035707	. Screw, cap		3
3	SP868-2D	. Bolt		3
4	SP125D	. Washer		3
5	200758229	. Pipe sub-assembly - complete		1
6	750030504	. O-ring		1
7	760001002	. Ring, backing, spiral		1
8	750030113	. O-ring		1
9	GD1471-13	. Ring, backing, spiral		1
10	200454689	. Stud		1
11	SP15E	. Washer		1
12	200389733	. Clip, pipe		1
13	200389709	. Shim		1
14	SP868- $\frac{1}{2}$ E	. Bolt		1
15	SP125E	. Washer		1
16	103614001	. Recuperator unit (Pre Mod AC10189)	ABCD	RF
	or	(Alternative)		
16A+	103614002	. Recuperator unit (Post Mod AC10189)	E	RF
17	200758307	. Bracket		1
18	200758674	. Bolt, banjo		1
19	200758228	. Pipe sub-assembly - complete		1
20	1-0075H10VX	. O-ring (P314572) (K1736)		2
21	AGS3049	. Screw, bleed		1
22	200389657	. Adapter, bleed		1
23	750030706	. O-ring		1
24	200758673	. Connector		1
25	750030706	. O-ring		1
26	750030706	. O-ring		1
27	422066	. Bolt		1
28	750030701	. O-ring		1
29	200389658	. Plug		1
30	750030708	. O-ring		1
31	130035720	. Screw, cap		2
32	200758306	. Plate, adapter		1
	or	(Alternative)		
33+	200758702	. Plate, adapter		1
34	750030504	. O-ring		1
35	760001002	. Ring, backing, spiral		1
36	200389731	. Sleeve		1
37	100005671	. Spring		1
38	200389732	. Sleeve		1
39	200389730	. Restrictor		1

+ Item not illustrated

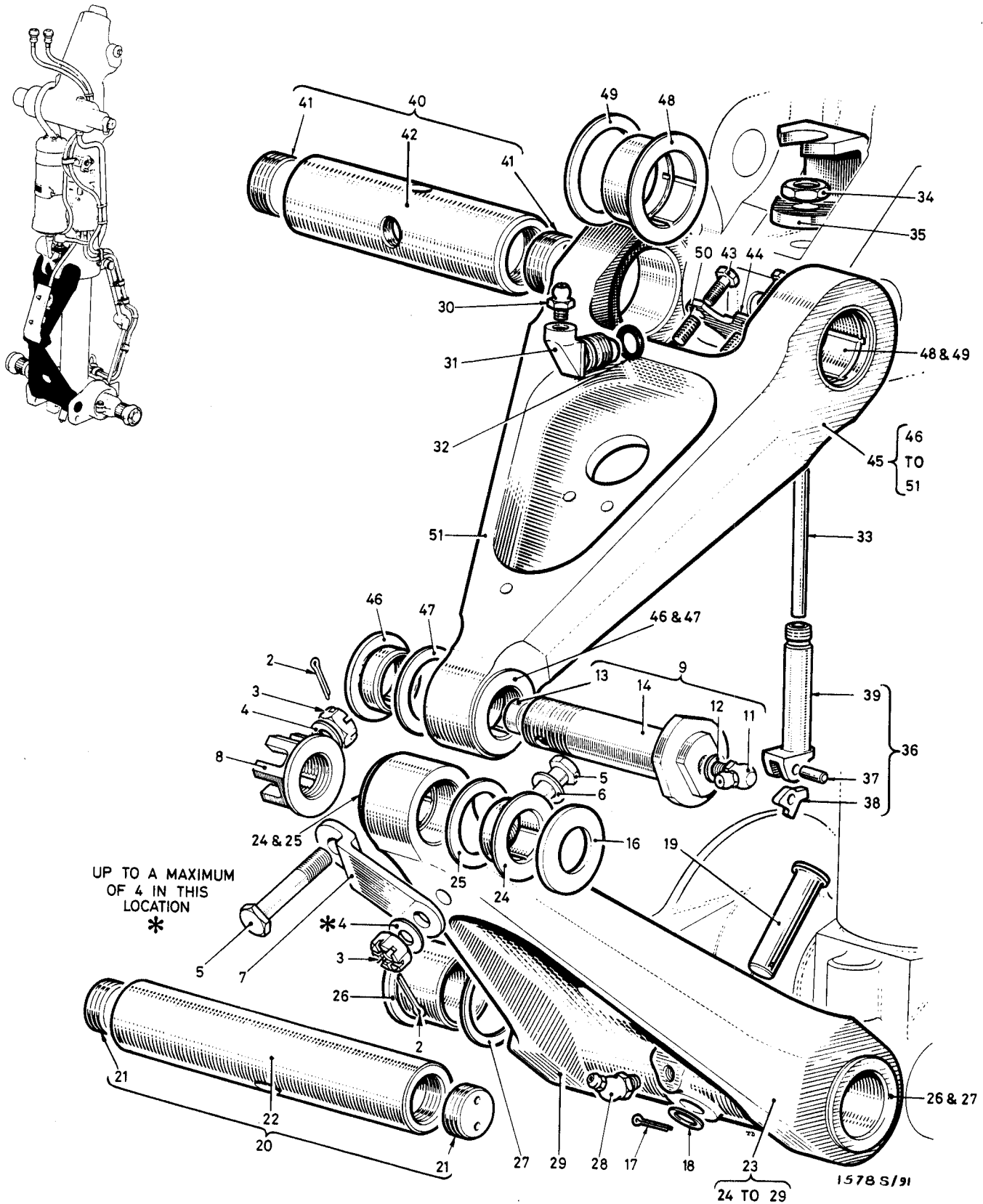


Fig.5 Torque link sub-assemblies and associated details

Fig./ Index No.	Part No.	Nomenclature						Usage Code	Units per Assy
		1	2	3	4	5	6		
5- 1+	-	Torque link sub-assemblies and associated details							RF
2	SP90C5	. Pin, split							2
3	A103GS	. Nut							2
4	SP126G	. Washer							5
5	200758654	. Bolt							2
6	SP122G	. Washer							1
7	200758653	. Plate, locking							1
8	200758652	. Nut							1
9	200758232	. Pin sub-assembly (preferred item)							1
	or	(Alternative)							
10+	200758224	. Pin sub-assembly							1
11	SP117	. . Nipple, grease							1
12	1065U0001	. . Washer							AR
13	200454667	. . Plug							1
14	200758676	. . Pin							1
	or	(Alternative)							
15+	200758651	. . Pin							1
16	200389638	. Spacer							1
17	SP90G6	. Pin, split							1
18	SP126J	. Washer							1
19	200758690	. Pin							1
20	200389206	. Pin, lower torque link sub-assembly							1
21	200389640	. . Plug, screwed							2
22	200389306	. . Pin, lower torque link							1
23	200758237	. Link, torque, lower sub-assembly							1
24	200758650	. . Bush							2
25	200389631	. . Shim							1
26	200758649	. . Bush							2
27	200389634	. . Shim							2
28	SP116	. . Nipple, grease							1
29	200758310	. . Link, torque, lower							1
30	SP115	. Nipple, grease							1
31	200389654	. Adapter, grease							1
32	750030107	. O-ring							1
33	200454642	. Plunger							1
34	SP865JT	. Nut							1
35	200758675	. Bracket							1
36	200758227	. Lever and pin, lever sub-assembly							1
37	200758661	. . Pin							1
38	200454723	. . Lever							1
39	200389717	. . Pin, lever							1
40	200389207	. Pin, upper torque link sub-assembly							1
41	200389639	. . Plug, screwed							2
42	200389307	. . Pin, upper torque link							1
43	1007U0046	. Bolt							2
44	200758662	. Striker							1
45	200758225	. Link, torque, upper sub-assembly							1
46	200758650	. . Bush							2
47	200389631	. . Shim							1

+ Item not illustrated

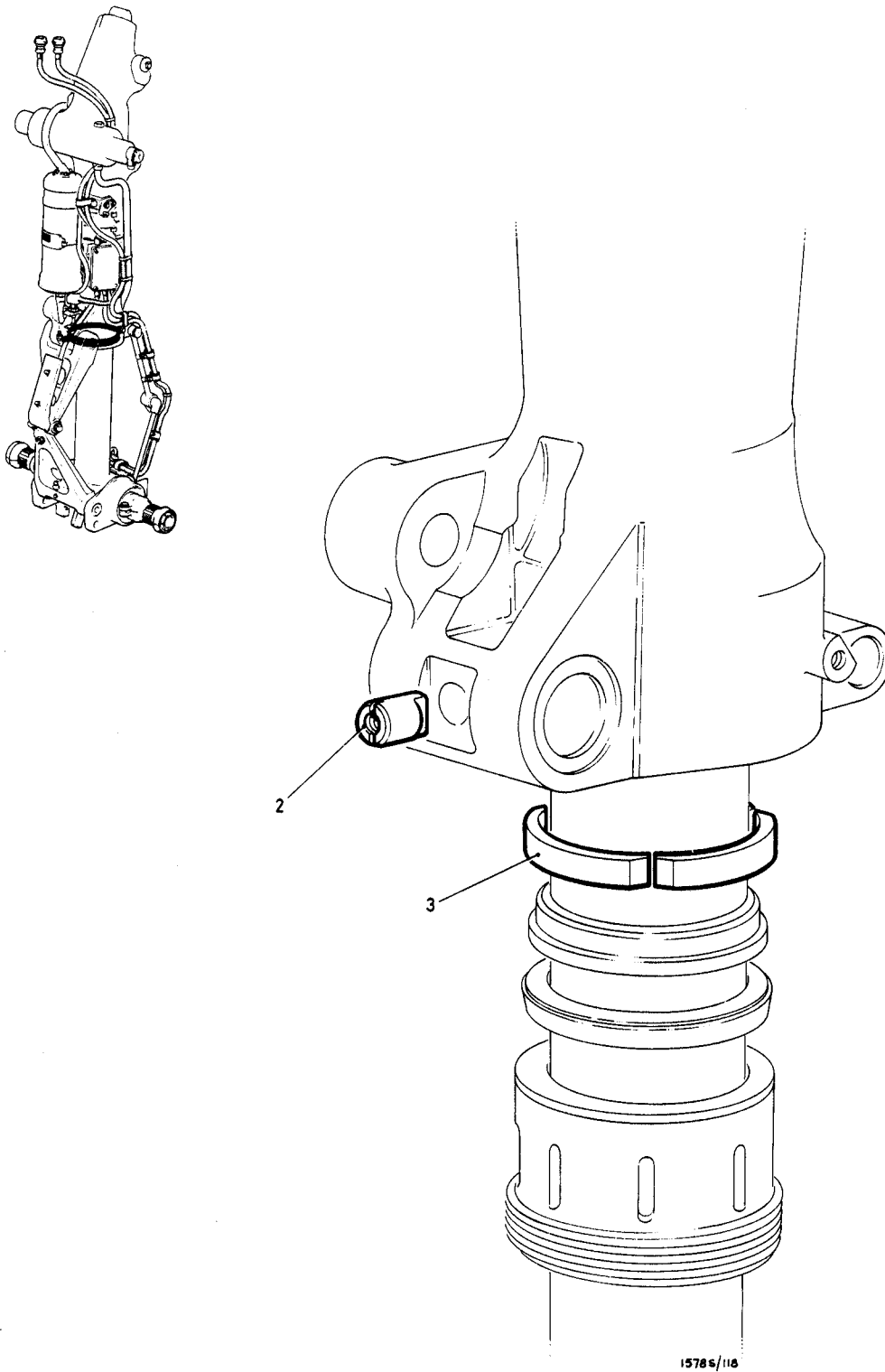


Fig.6 Sliding member sub-assembly and associated details (sheet 1)

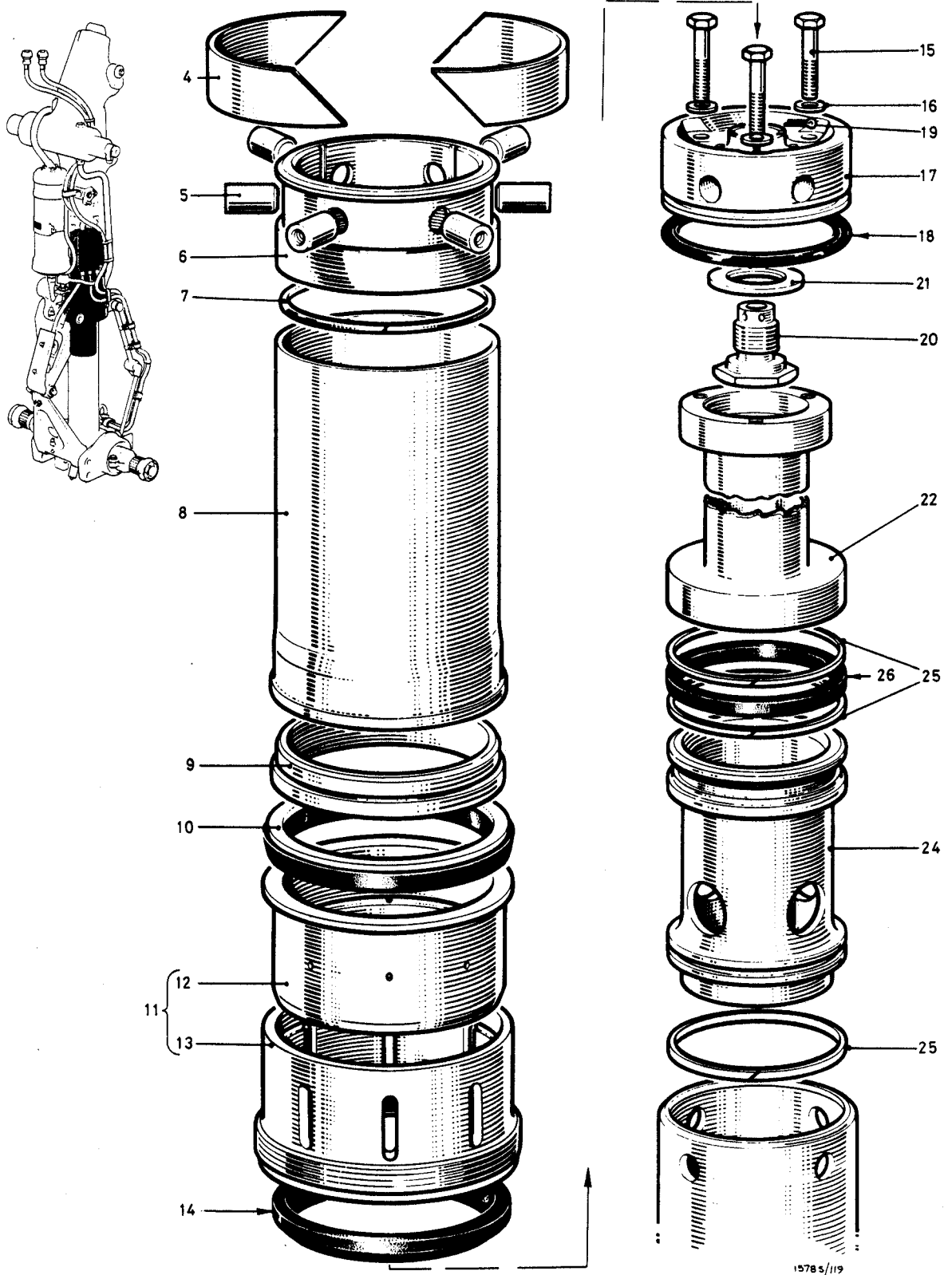


Fig.6 Sliding member sub-assembly and associated details (sheet 2)

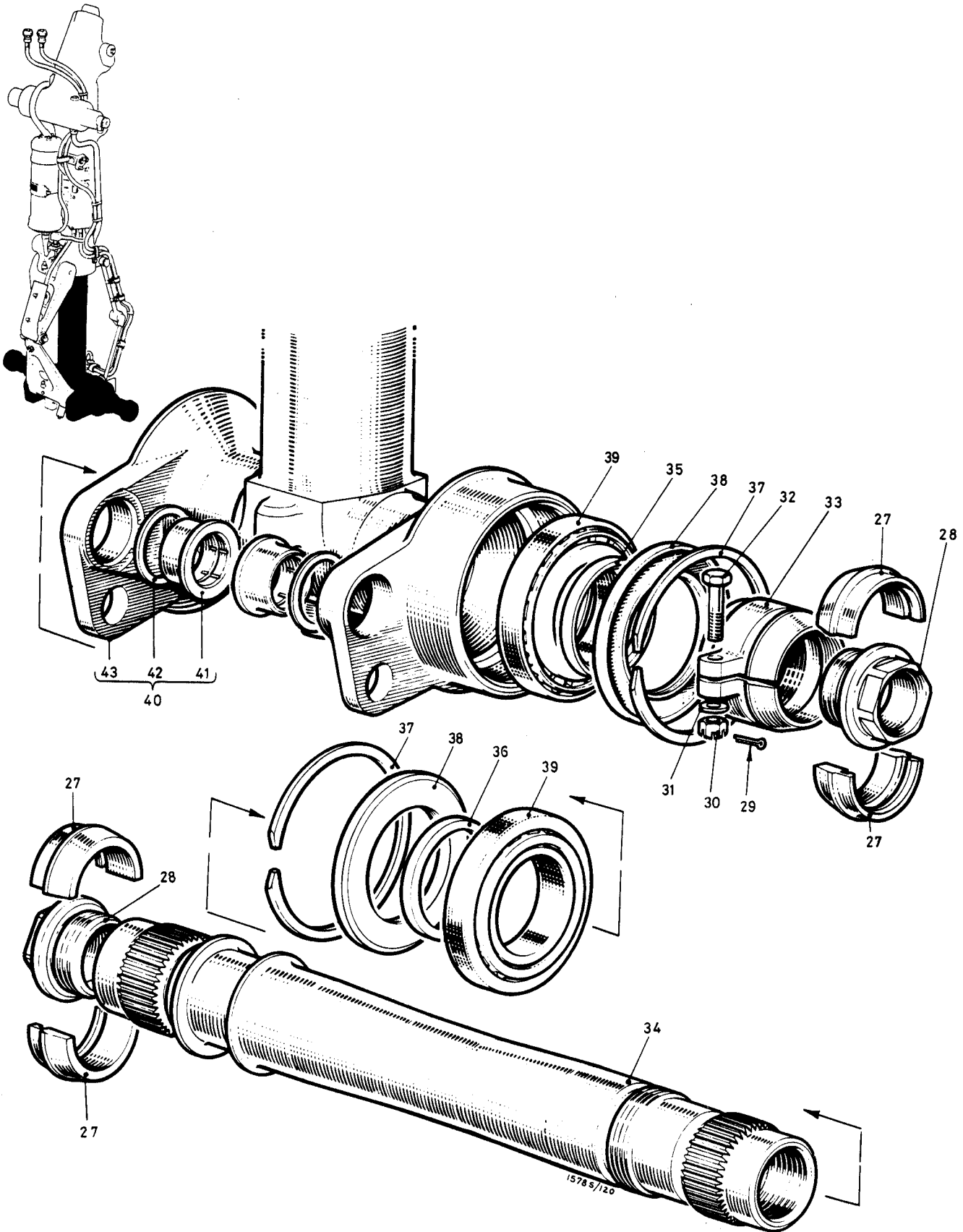


Fig.6 Sliding member sub-assembly and associated details (sheet 3)

Fig./ Index No.	Part No.	Nomenclature						Usage Code	Units per Assy
		1	2	3	4	5	6		
6- 1+	-	Sliding member sub-assembly and associated details							RF
2	200758663	. Pin, locking							1
3	200389622	. Shoe, outstop retaining							1
4	200389646	. Bearing							1
5	200389648	. Pin							6
6	200389647	. Housing, bearing							1
7	200389601	. Plate, valve							1
8	200389623	. Outstop							1
9	200389614	. Bush, collar retaining							1
10	200389233	. Ring, sealing, composite sub-assembly - complete							1
11	200454229	. Nut, gland and lower bearing sub-assembly							1
12	200389613	. . Bearing, lower							1
13	200454636	. . Nut, gland							1
14	SP818-34	. Ring, wiper							1
15	SP868-6D	. Bolt							3
16	SP126D	. Washer							3
17	200389715	. Diaphragm							1
18	750030428	. O-ring							1
19	SP90C4	. Pin, split							1
20	200389723	. Body, valve							1
21	200389651	. Valve, plate							1
22	200454214	. Stop, piston, sub-assembly - complete (preferred item)							1
	or	(Alternative)							
23+	200389700	. Stop, piston							1
24	200389716	. Piston, floating							1
25	200389680	. Ring, split							3
26	130036729	. Ring, sealing							1
27	200758688	. Collar							2 pr
28	200758642	. Nut, axle							2
29	SP90C6	. Pin, split							1
30	A103ES	. Nut							1
31	SP125E	. Washer							1
32	200268622	. Bolt							1
33	200758687	. Collar, axle (Pre Mod AC9484)						ABC	1
	or	(Alternative)							
33A+	200758715	. Collar, axle (Post Mod AC9484)						DE	1
34	200758689	. Axle (Pre Mod AC9484)						ABC	1
	or	(Alternative)							
34A+	200758714	. Axle (Post Mod AC9484)						DE	1
35	200758644	. Spacer							1
36	200758645	. Spacer							1
37	AS4570-87	. Ring, retaining							2
38	200758643	. Cap							2
39	200389600	. Bearing							2
40	200758222	. Member, sliding, sub-assembly							1
41	200758646	. . Bush							2

+ Item not illustrated

MAIN UNDERCARRIAGE

Fig./ Index No.	Part No.	Nomenclature 1 2 3 4 5 6	Usage Code	Units per Assy
6-42 43	200389635 200758300	. . Shim . . Member, sliding		2 1

+ Item not illustrated

This file was downloaded
from the RTFM Library:

Link: www.scottbouch.com/rtfm

Please see site for usage terms,
and more aircraft documents.

