

EJECTION SEAT
SEAT PAN ADJUSTMENT MECHANISM ASSEMBLY

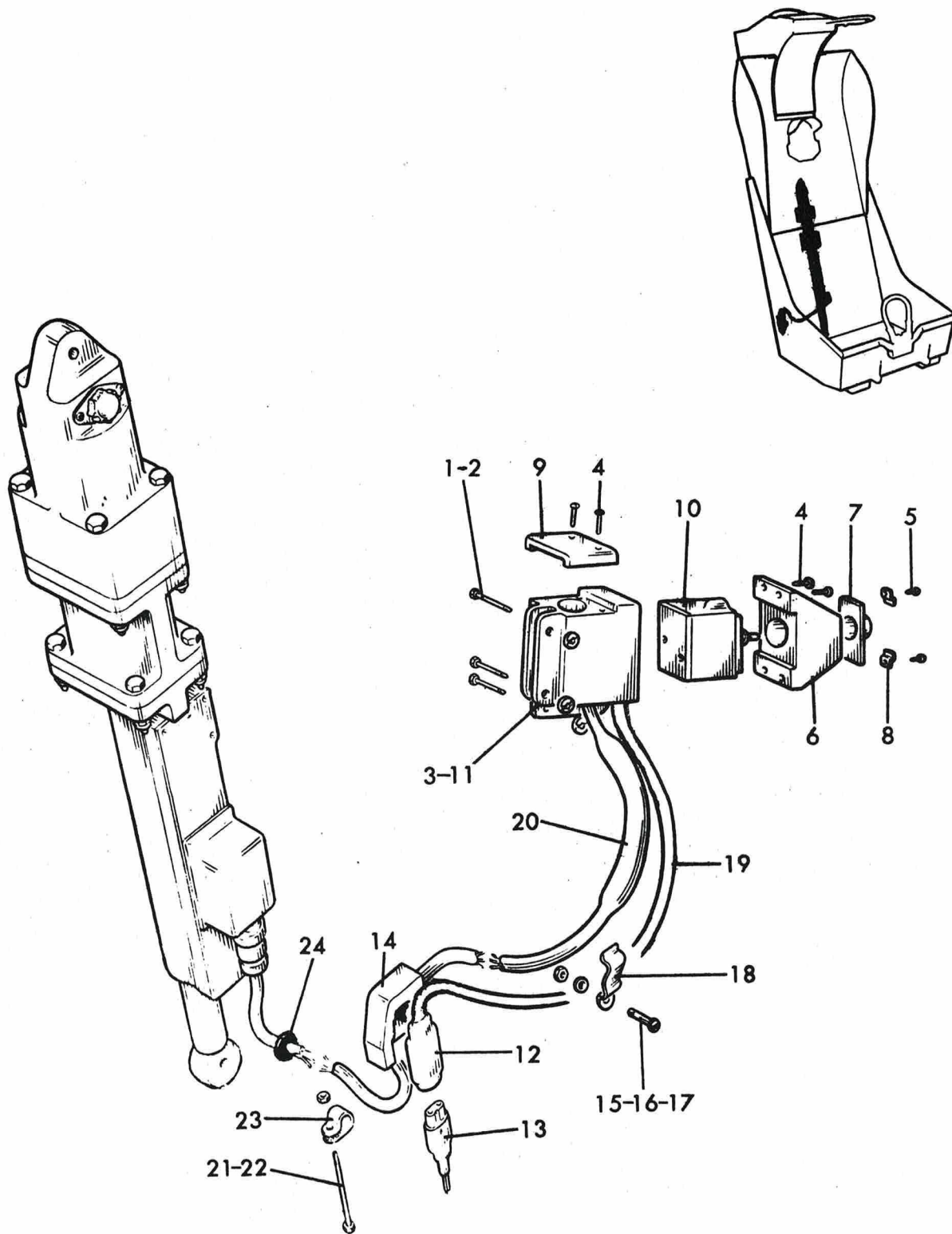


Figure 24. Seat Pan Adjustment Mechanism Assembly

SEAT PAN ADJUSTMENT MECHANISM ASSEMBLY

FIG/ INDEX NO	PART NO	NOMENCLATURE						USAGE CODE	UNITS PER ASSY
		1	2	3	4	5	6		
24-	MBEU11720	Mechanism - Assy - Seat/Pan Adjustment						A	1
-1	MBEU349-HK	Nut - Stiff - 2BA							4
-2	MBEU11719	Bolt - Modified (AS 1248-3C)							4
-3	MBEU11428	Housing - Switch - Sub - Assy							1
-4	AS1242-B1	Bolt - 4BA C's'k							6
-5	A32-B10	Screw - 4BA Round Head							2
-6	MBEU11294	Plate - Guard - for Switch							1
-7	D5400	Shroud (Series - N.136930)							1
-8	D5400	Plate - Fixing (Series *136931)							2
-9	MBEU14049	Plate - Mounting							1
-10	MBEU17552	Switch - Actuating							1
-11	MBEU11293	Housing							1
-12	5C-455	Plug & Pin - Flat							1
-13	5C-457	Socket - 2 Pin Flat							1
-14	MBEU10851	Spring - Retaining for 2 Pin Plug							1
-15	AGS2001-C	Nut - Stiff - 2BA Thick							1
-16	SP13-C	Washer - 2BA							2
-17	MBEU1595-B	Screw - 2BA Mush Head							1
-18	MBEU17581	Cleat - for Wiring Conduit							1
-19	MBEU17555	Conduit - Electrical Wiring Assy							1
-20	MBEU11660	Conduit - Cable							1
-21	AGS2002-C1	Nut - Stiff - 2BA Thin							1
-22	A25-1C	Bolt - 2BA							1
-23	MBEU13051	Cleat - for Cable							1
-24	H.V.2156	Grommet - Rubber							1

* Item not illustrated

This file was downloaded
from the RTFM Library.

Link: www.scottbouch.com/rtfm

Please see site for usage terms,
and more aircraft documents.

