

Chapter 4

(Completely revised)

TEST SETS TYPE 11863 AND 11865

LIST OF CONTENTS

	Para.		Para.
Introduction	1	Test set Type 11865	4
Test set Type 11863	2	Test side cover	6

LIST OF ILLUSTRATIONS

	Fig.		Fig.
Test set Type 11863—general view	1	Test side cover	5
Test set Type 11863 with re'ay unit fitted	2	Test set Type 11863: circuit	6
Test set Type 11865—general view	3	Test set Type 11865: circuit	7
Test set Type 11865 with amplifying unit fitted	4		

Introduction

1. These items of test equipment have been designed for use as follows:—

- R.N. second and fourth line servicing
- R.A.F. third line servicing only

A description of these items is given in this chapter, the method of use for repair organisations is given in Volume 6, while Naval second line servicing is described in Volume 4, Part 6.

Test set Type 11863

2. The test set Type 11863 is for testing the function of the relays in the relay unit Type 11689. A general view of the test set is given in fig. 1, while fig. 2 shows the test set with a relay unit fitted and ready for test. The test set requires a supply from a source of 28V d.c.; for certain tests, this supply must be reduced to 22.5V, this can be done by connecting the variable resistor as a potentiometer across the supply. A suitable resistor is:—

Resistor variable, 200 ohms, 10 watt (Ref. No. 10W/7809)

3. The circuit of the test set Type 11863 is given in fig. 6, at the end of the chapter.

Test set Type 11865

4. The test set Type 11865 is for testing the amplifying unit (A.F.) Type 11678. A general view of the test set is given in fig. 3. The amplifying unit to be tested should be fitted to the top of the test set (fig. 4) and the test set connected by a connector Type 3430/1 to a power unit No. 2. The power unit No. 2 is a mains operated piece of test equipment used also when testing

sub-units of the transmitter-receiver ARC52. A general description of this power unit is given in A.P.2531J.



Fig. 1. Test set Type 11863 — general view

RESTRICTED

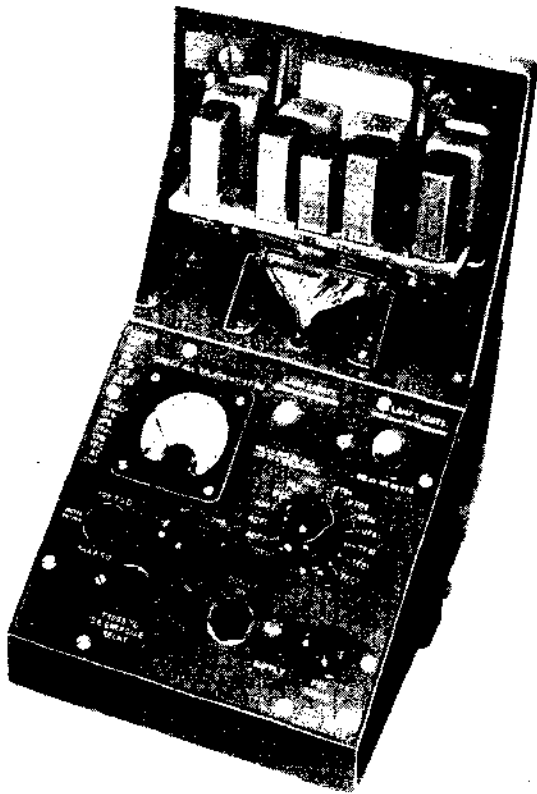


Fig. 2. Test set Type 11853 with relay unit fitted

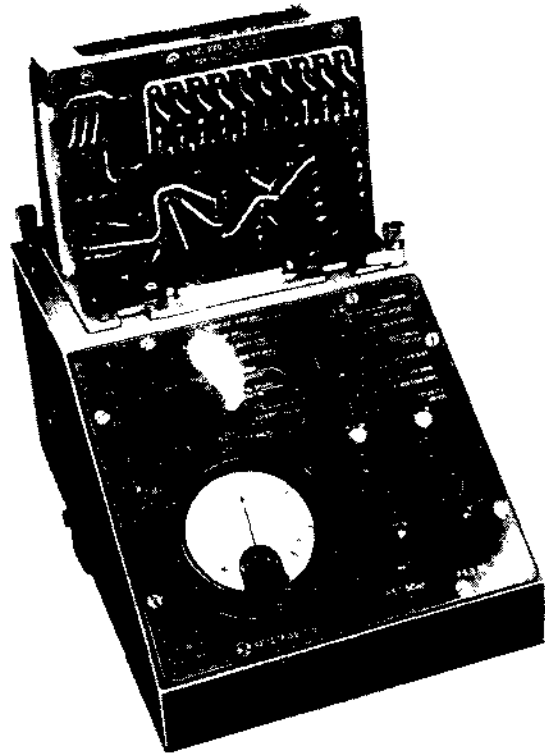


Fig. 4. Test set Type 11865 with amplifying unit fitted

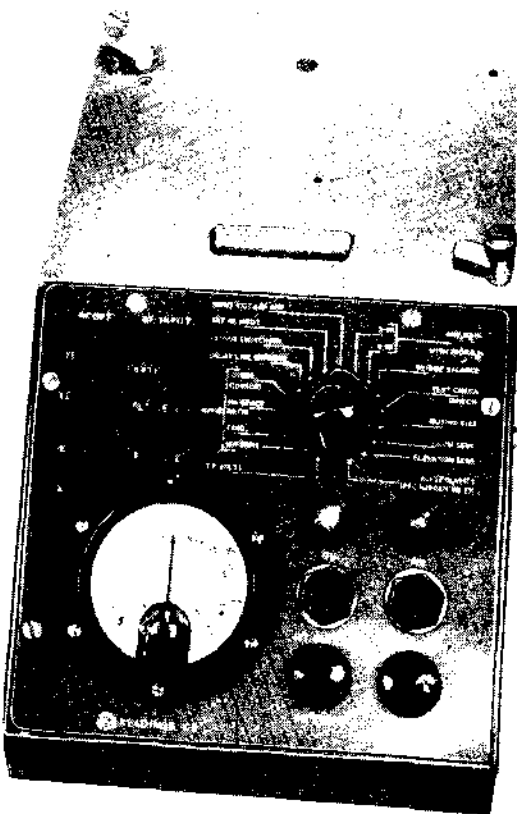


Fig. 3. Test set Type 11865 — general view

5. The circuit of the test set Type 11865 is given in fig. 7 at the end of the chapter.

Test side cover

6. A test side cover (fig. 5) is also available: this fits to the amplifying unit (R.F.) Type 11681, in the place of the normal left-hand side cover and allows access to the tuning components when making adjustments to the r.f. trimming.

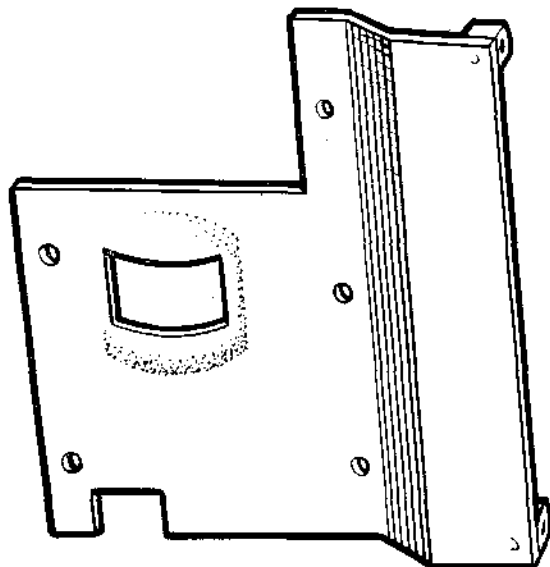


Fig. 5. Test side cover

RESTRICTED

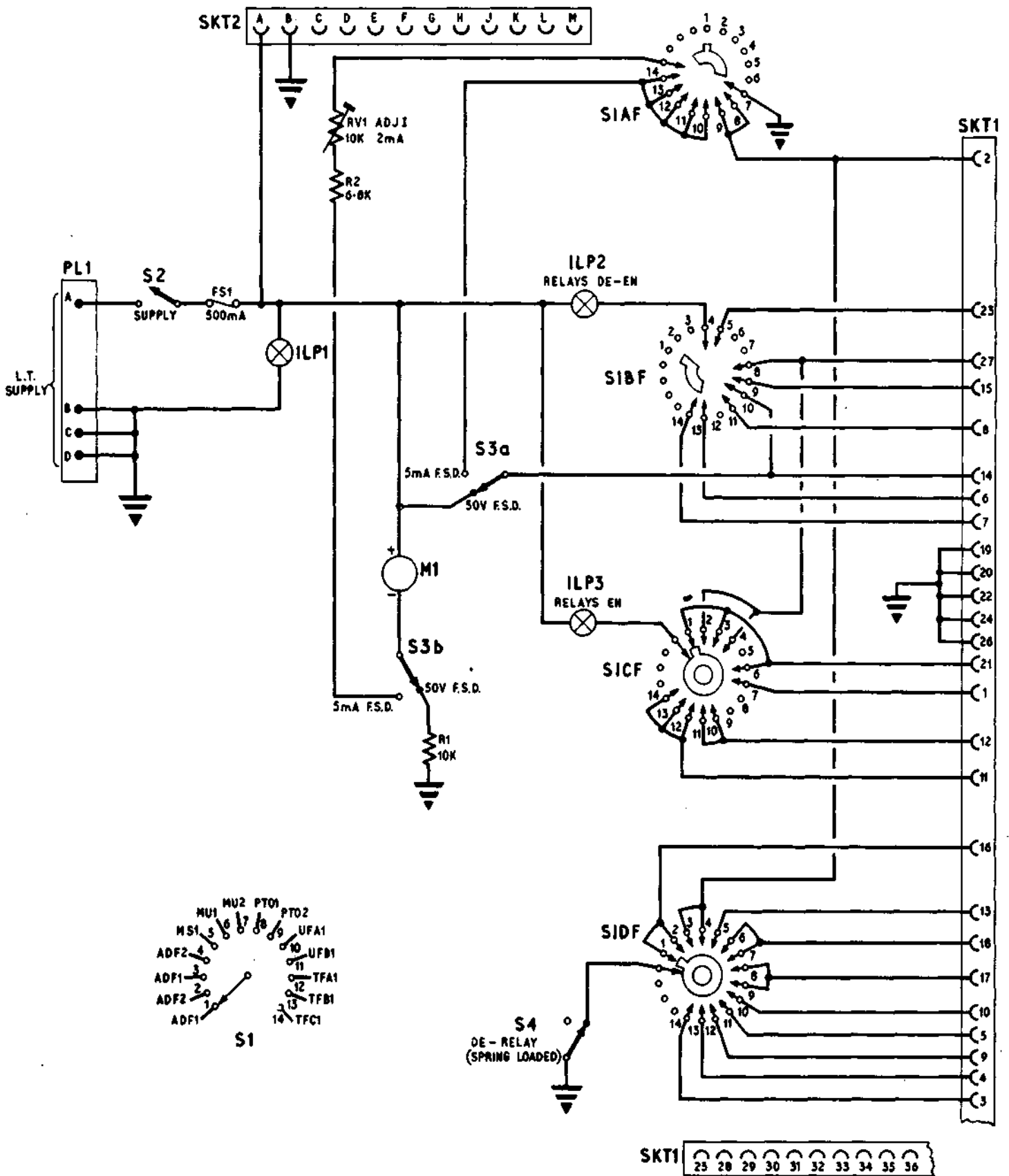
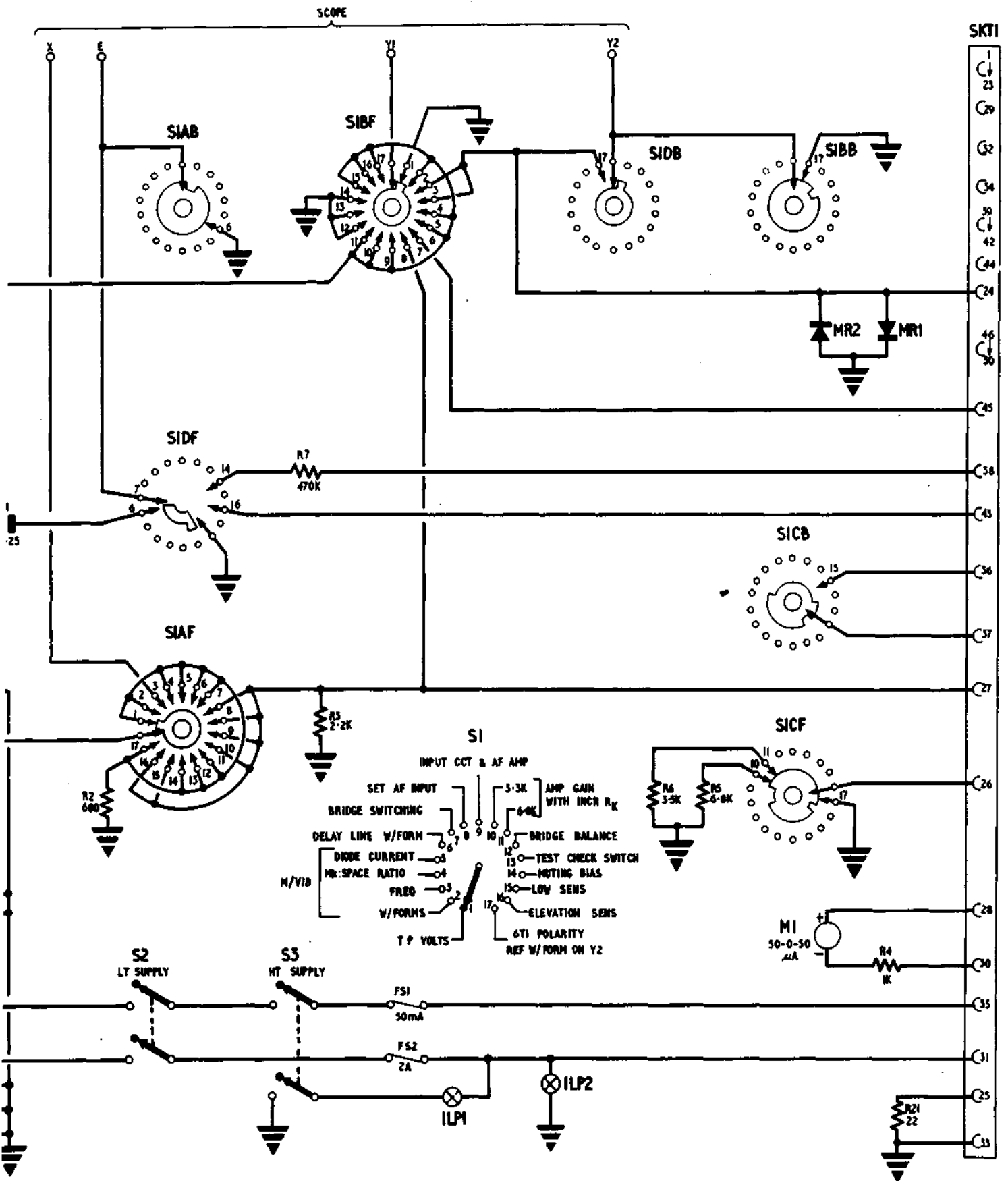


Fig. 6

Test set Type 11863: circuit

Fig. 6

R E S T R I C T E D



Test set Type 11865 : circuit

Fig 7

RESTRICTED