

**26 SERIES RACK & PANEL CONNECTORS****R & P - 1**

These connectors have been developed to provide a rugged heavy duty interconnection, where size is not a limited factor and large gauge wires can be used because of ribbon contact principle. These connectors have excellent performance features like easy mating, positive contact pressure and self cleaning action. These connectors are polarised. 26 Series Rack and Panel Connectors are also qualified to meet the operating requirements of Defence Standard Joint Services Specification **JSS50812**, issued by the Electronics Components Standardization Organisation (LCSO).

**APPLICATIONS :**

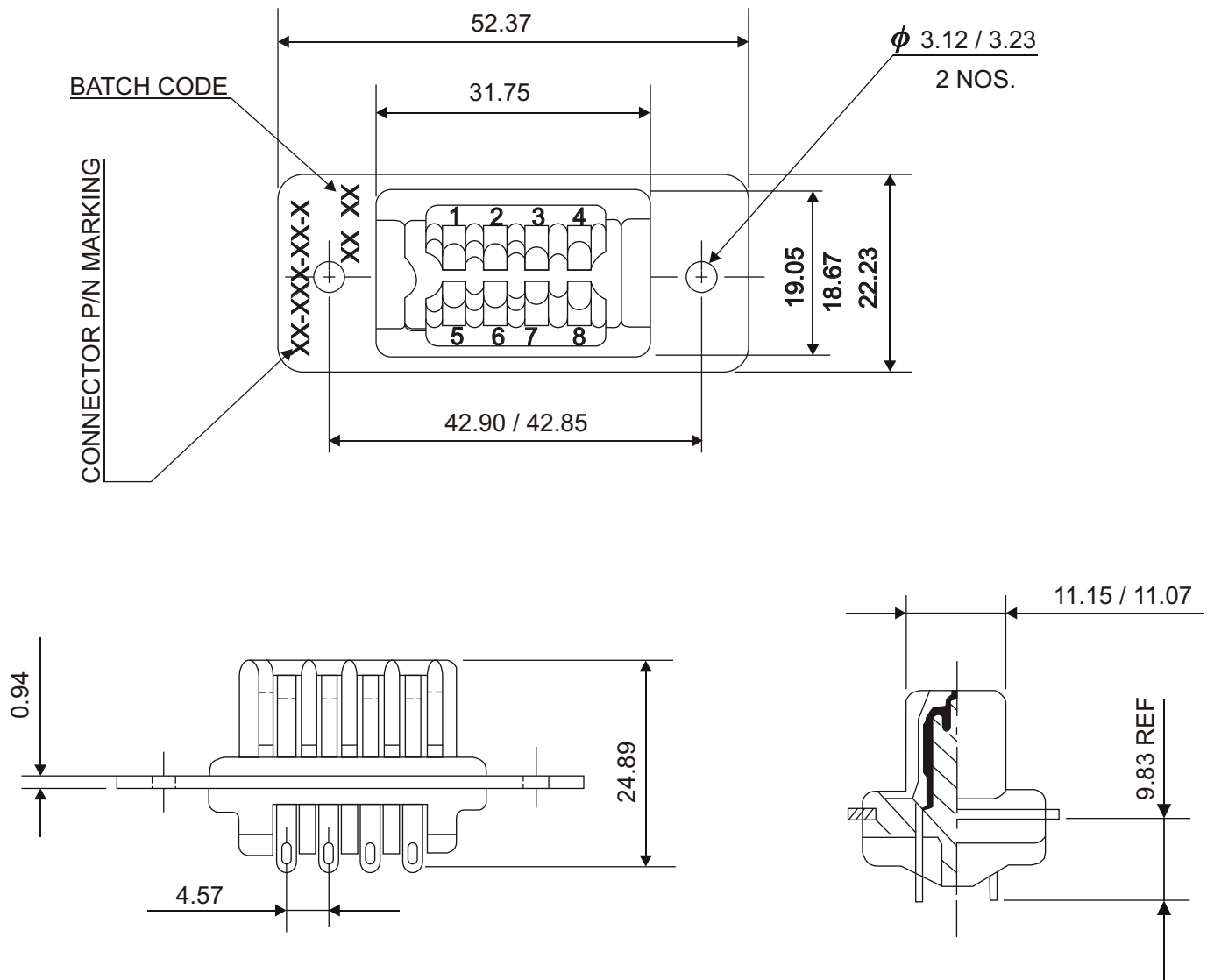
These are mainly used in industrial control instruments, test equipments and transportation.

<b>Contents</b>	<b>Page No.</b>
Introduction	1
Technical Data	2
8 Pin Plug	3
8 Pin Receptacle	4
16 Pin Plug	5
16 Pin Receptacle	6
24 Pin Plug	7
24 Pin Receptacle	8

**TECHNICAL DATA**

1)	Operating Voltage	: 750v rms
2)	Operating Current	: 5 Amps
3)	Operating Temperature	: -55°C + 125°C
4)	Materials	
	a) Insulator	: Glass filled Diallylphthalate (DAP)
	b) Contact	
	i) Socket	: Phospher Bronze
	ii) Plug	: Brass
	c) Other metal parts	
	i) Mounting Plate	: Stainless Steel passivated
	ii) Guide pin	: Aluminium (Ni plated)
	iii) Guide bush	: Brass (Ni plated)
	iv) Washer	: Brass (Ni plated)
5)	Contact Resistance	: 11 millionhms max.
6)	Insulation Resistance	: 5000 Megohms min.
7)	Voltage Proof	: 1200v rms
8)	Connector engagement force	
	i) 8 Pin	: 3.7 kgs. max.
	ii) 16 Pin	: 7.0 kgs. max.
	iii) 24 Pin	: 11.0 kgs. max.
9)	Connector disengagement force	
	i) 8 Pin	: 150 gms. min.
	ii) 16 Pin	: 300 gms. min.
	iii) 24 Pin	: 450 gms. min.
10)	Colour	: Blue
	Ref : Standard / Specification	: Meets requirements of JSS50821

## 8 PIN PLUG

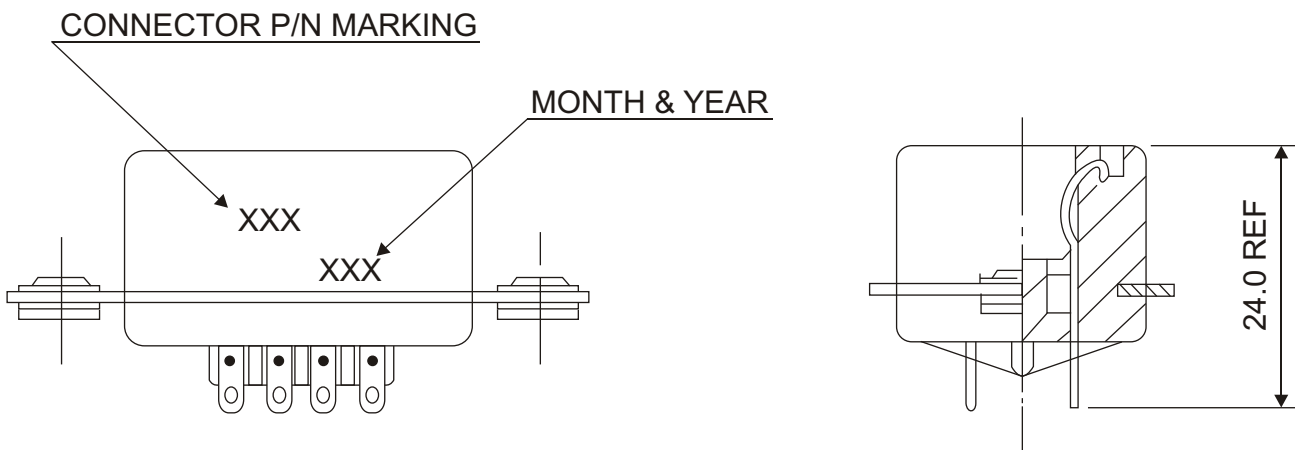
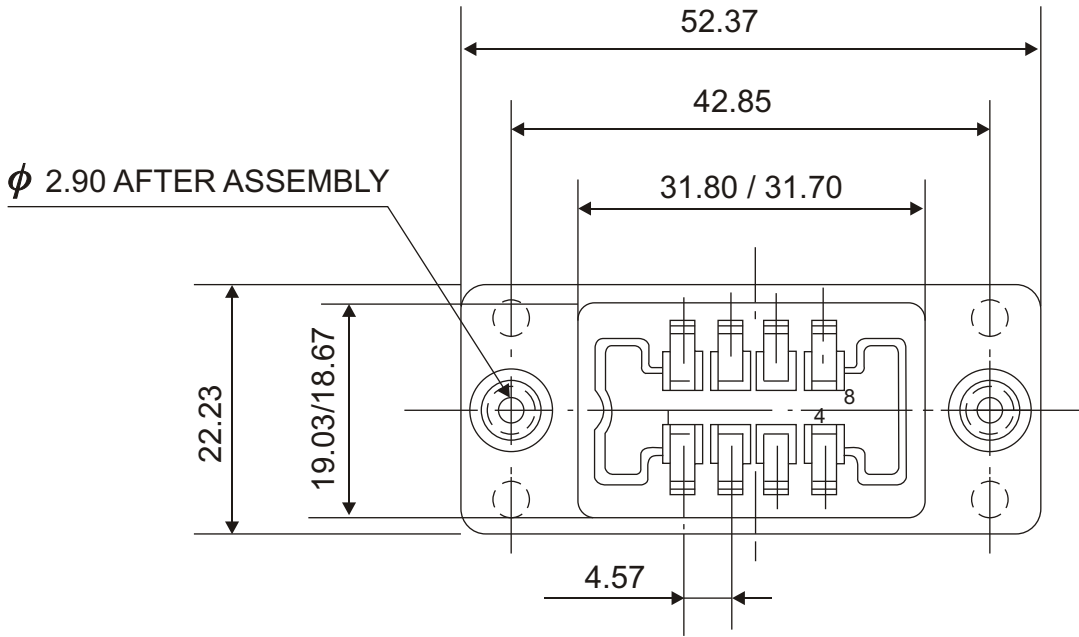


## PART NO. DETAILS

SL. NO.	CONNECTOR P/N	NO. OF CONT.	TERMINATION TYPE	CONTACT FINISH	LEVEL
1	26-182	8	SOLDER	GOLD PLATE OVER NICKEL	1
2	26-08P-004	8	SOLDER	GOLD PLATE OVER NICKEL	3
3	26-08P-99	8	SOLDER	SILVER PL. & TIN LEAD SOLDER DIP ON TERMINATION	-

All dimensions are in mm

### 8 PIN RECEPTACLE

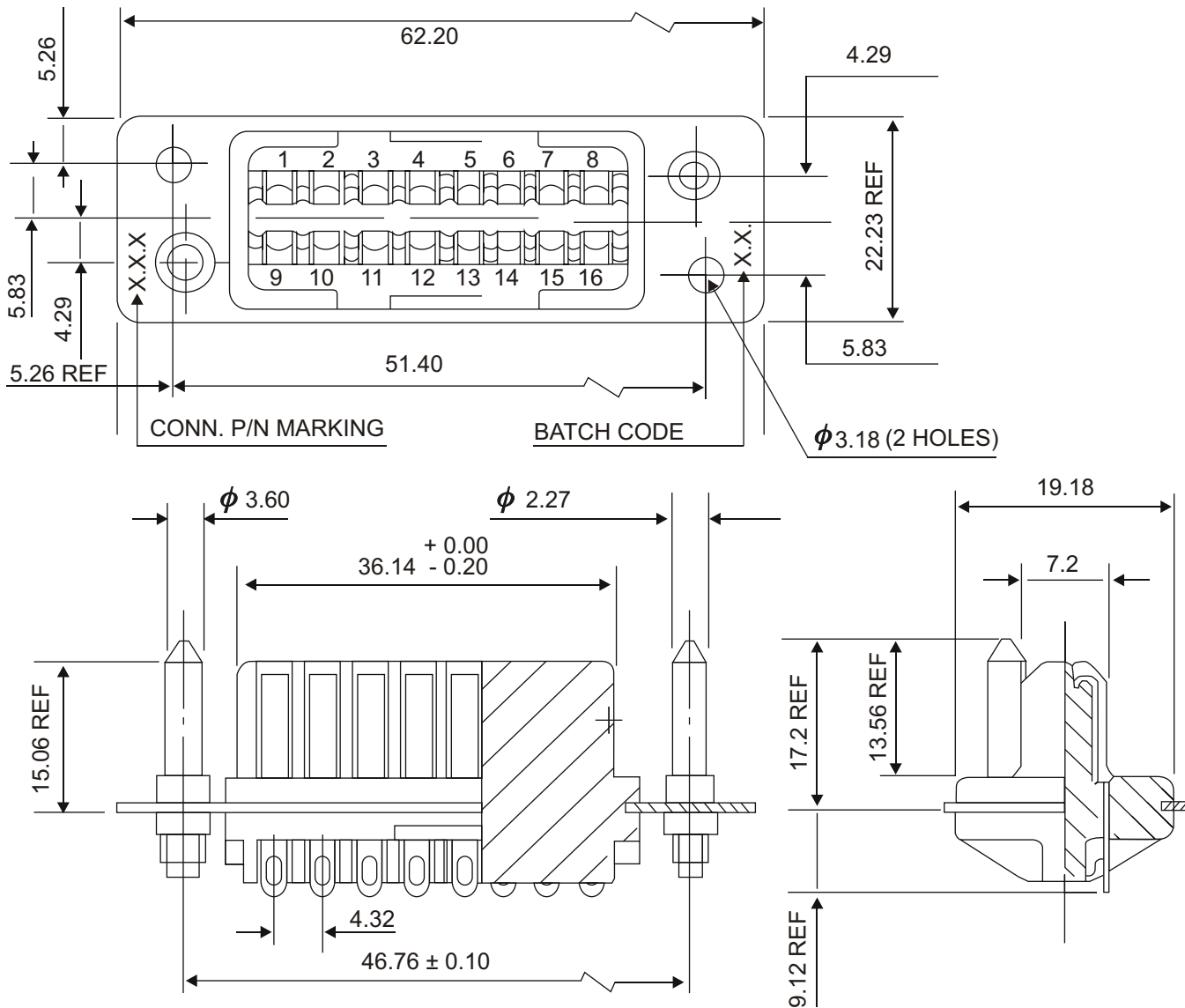


#### PART NO. DETAILS

SL. NO.	CONNECTOR P/N	NO. OF CONT.	TERMINATION TYPE	CONTACT FINISH	LEVEL
1	26-183	8	SOLDER	GOLD PLATE OVER NICKEL	1
2	26-08S-004	8	SOLDER	GOLD PLATE OVER NICKEL	3
3	26-08S-99	8	SOLDER	SILVER PL. & TIN LEAD SOLDER DIP ON TERMINATION	-

All dimensions are in mm

# 16 PIN PLUG



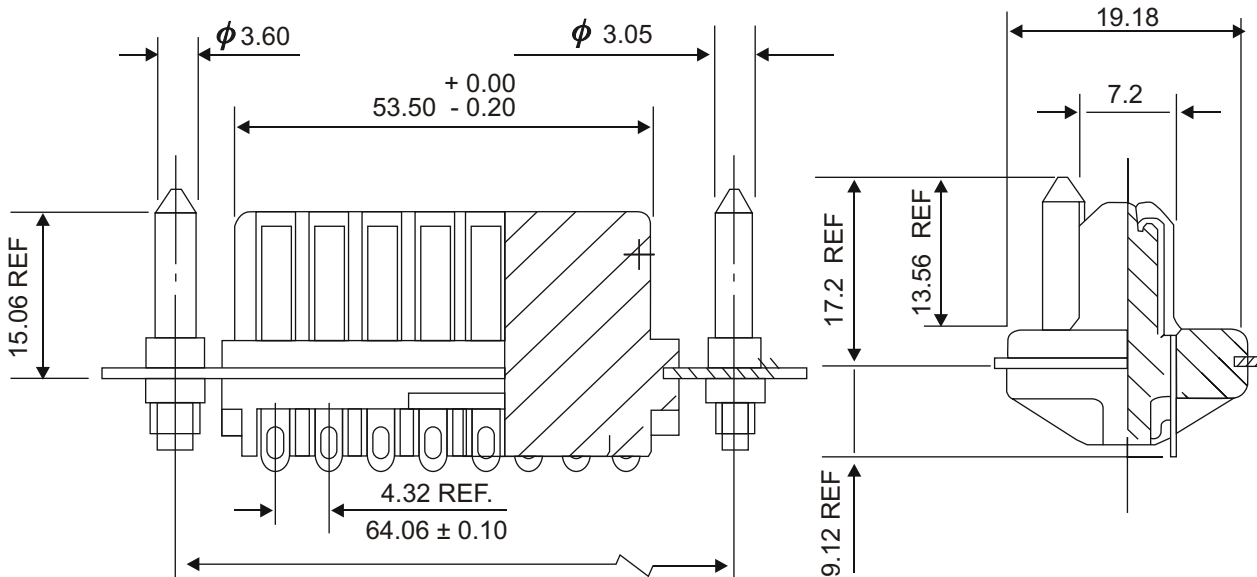
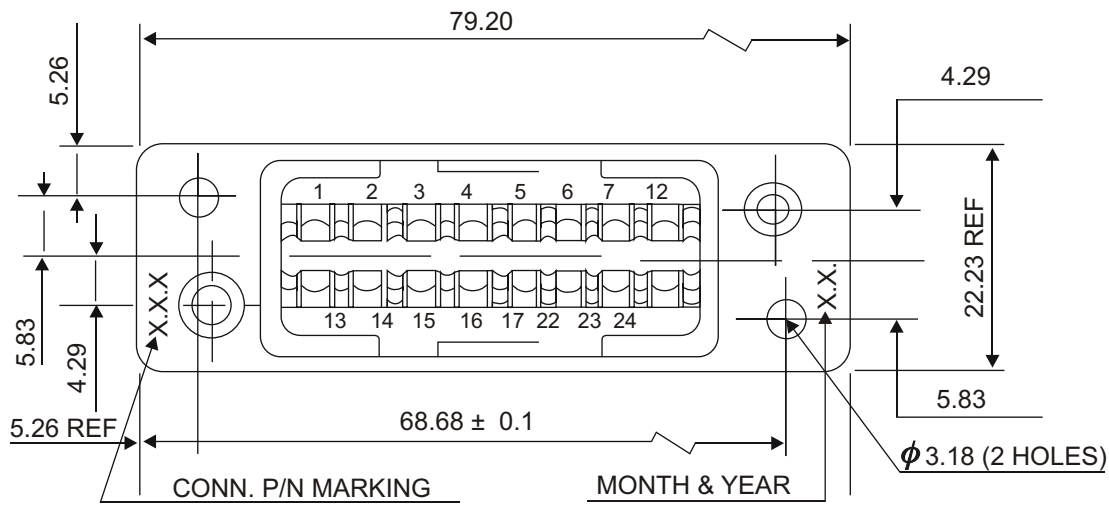
## PART NO. DETAILS

SL. NO.	CONNECTOR P/N	NO. OF CONT.	TERMINATION TYPE	CONTACT FINISH	LEVEL
1	26-159-16	16	SOLDER	GOLD PLATE OVER NICKEL	1
2	26-16P-004	16	SOLDER	--- DO ---	3
3	26-16P-99	16	SOLDER	MATING : SILVER TERMINATION : TIN LEAD SOLDER DIPOVER SILVER	-

All dimensions are in mm



# 24 PIN PLUG



## PART NO. DETAILS

SL. NO.	CONNECTOR P/N	NO. OF CONT.	TERMINATION TYPE	CONTACT FINISH	LEVEL
1	26-159-24P	24	SOLDER	GOLD PLATE OVER NICKEL	1
2	26-24P-004	24	SOLDER	GOLD PLATE OVER NICKEL	3
3	26-24P-99	24	SOLDER	SILVER PL. & TIN LEAD SOLDER DIP ON TERMINATION	-

All dimensions are in mm





This file was downloaded from the RTFM Library.

Link: [www.scottbouch.com/rtfm](http://www.scottbouch.com/rtfm)

Please see site for usage terms, and more aircraft documents.

