

UNDERCARRIAGE
MAIN UNDERCARRIAGE, PORT

Ref. No.	Part No.	Description 1 2 3 4 5 6	No. off	Matl. Spec.	Cl. of Equip.	Plate No.
					M.R. L.M.	
	E.A1.40.1.	MAIN UNDERCARRIAGE, PORT, ASSEMBLY Consisting of:-	1	-	-	
1460	E.A3.40.6	LEG, OLEO (LESS WHEEL, FIXED FAIRING AND BRAKE UNIT), ASSEMBLY Consisting of:-	1	-	-	1/1
27G/4069	DUNLOP AH.9597	BRAKE, unit (For spares, see A.P.4515C, Sect. 2, Chap. 37) Attaching parts for AH.9597:-	1	-	A	1/2
2168	E.A6.40.35	Bolt	10	S.97	C	3/1
28M/13259	A27/NS	Nut, 1/2" BSF	10	-	C	3/33
2188	E.A3.40.43	Washer	10	DTD.124A	C	3/35
3060	E.A3.20.853	FAIRING, FIXED, ASSEMBLY (Supplied with trim allowance) Spares for:-	1	-	B	1/4
21164	E.A3.20.2869	PANEL, HINGE, ASSEMBLY Spares for:-	1	-	B	1/5
	E.A1.20.1679	HINGE (Make from 28N/10363)	1	-	LM	1/6
3025	E.A1.20.1675	PANEL, hinge 16 SWG	1	L.72	C	1/7
620	E.A1.40.435	SPRING	2	Spring Steel	C	1/8
1413	E.A1.20.6817	PANEL, access picket point	1	-	C	1/9
	E.A3.20.1627	SEAL, 3/8" dia. x 90" long (Make from Ref. 4432) Attaching parts for E.A3.20.853:-	1	Synthetic Rubber	LM	1/10
4174	E.A1.40.519	Bolt, securing, fixed fairing mounting, brackets to leg (Made from A25/5G)	8	-	C	2/34
28W/3100	AGS.162/E	Washer, 1/2" BSF	8	-	C	2/35
32312	E.A3.40.223	LEG, SLIDING AND OLEO HEAD, ASSEMBLY (MOD. 3211) Spares for:-	1	-	A	2/1
	E.A1.40.7	HEAD, OLEO, GROUP Spares for:-	1	-	-	2/3
663	E.A1.40.89 ✓	BEARING, spherical seated, ball joint side stay Attaching parts for E.A1.40.89:-	1	S.11	C	2/4
664	E.A1.40.101 ✓	Bush, bearing	1	DTD.412	C	2/5
674	E.A1.40.95 ✓	Ring, lower, retaining, ball joint	1	DTD.124	C	2/6
676	E.A1.40.97 ✓	Ring, upper, retaining, ball joint	1	DTD.124	C	2/7
680	E.A1.40.99 ✓	Stud, retaining rings	12	S.11	C	2/8

UNDERCARRIAGE
MAIN UNDERCARRIAGE, PORT

Ref. No.	Part No.	Description	No. off	Matl. Spec.	Cl. of Equip.	Plate No.
					M.R. L.M.	
		1 2 3 4 5 6				
665	E.A1.40.109 BUSH, pivot	2	DTD.412	C	2/8
666	E.A1.40.111 BUSH, torque link lug	2	DTD.412	C	2/10
673	E.A1.40.679 ✓ Plug, bearing bush, retaining Attaching parts for E.A1.40.111:-	1	L.40	C	2/11
667	E.A1.40.133 ✓ DISC, sealing, piston dowel plug Attaching parts for E.A1.40.133:-	2	L.40	C	2/12
679	E.A1.40.625 ✓ Screw, retaining, plug dowel seal	1	L.40	C	2/13
668	E.A1.40.131 ✓ DOWEL, piston	2	S.11	C	2/14
21495	E.A1.40.19 HEAD, oleo, forging	1	DTD.683	A/MR	2/15
669	E.A1.40.103 ✓ HOOK, 'S' shaped, 16 SWG	2	-	C	2/16
20666	E.A1.40.127 PIPE, stack, assembly Attaching parts for E.A1.40.127:-	1	-	B/MR	2/17
28F/8014021	AGS.1138/B Washer, jointing	1	Alumn.	C	2/18
	E.A1.40.17 PISTON, OPERATING, ASSEMBLY Consisting of:-	1	-	-	2/19
1099	EEAS.37/22A NIPPLE, 2 BA	2	S.11	C	2/20
670	E.A1.40.647 PISTON	1	DTD.197	C	2/21
671	E.A1.40.649 PLATE, orifice enclosure, control Attaching parts for E.A1.40.649:-	1	S.11	C	2/22
683	E.A1.40.61 Bolt, orifice plate	3	S.11	C	2/23
672	E.A1.40.651 RING, piston	1	-	C	2/24
	EEAS.38/3A SPOKE, 2 BA (Make from 28R/6328)	1	S.11	LM	2/25
	E.A1.40.117 STRUT, piston, main	1	T.4	-	2/26
678	E.A1.40.155 ✓ RING, sealing, at dowel	2	-	C	2/27
681	E.A1.40.105 TUBE, distance	1	L.40	C	2/30
	H. PRESSURE COMPS. LTD					
28Y/15486	GYP.A.58 ✓ VALVE, charging Attaching parts for GYP.A.58:-	1	-	B	2/28
28D/11890	AS.1246/5C ✓ Bolt, 2 BA, round head	1	-	C	2/29
28W/1007983	AGS.162/C ✓ Washer	1	-	C	2/31
28F/8014021	AGS.1138/B ✓ Washer, jointing	1	-	C	2/32
682	E.A1.40.149 ✓ Washer, locking, valve, 14 SWG	1	DTD.124	C	2/33
	E.A3.40.225 ✓ LEG, SLIDING, COMPRESSION, ASSEMBLY Consisting of:-		1	-	-
26640	E.A3.40.201 ✓ BOLT, clamp axle, locking (Mod.2308)	1	S.96	C	3/3
684	E.A1.40.161 BUSH, bearing, in lug	2	DTD.124	C	3/5
685	E.A1.40.627 BUSH, bearing (Pre-Mod. 271)	1	-	C	3/4
2467	E.A3.40.45 BUSH, bearing (Mod.271)	1	-	C	3/4
20865	E.A3.40.13 ✓ CLAMP, AXLE, ASSEMBLY Spares for:-	1	-	A/MR	3/6
21355	E.A3.40.23 ✓ BUSH	1	L.16	C	3/7
1752	E.A3.40.17 ✓ CLAMP, axle body	1	-	C	3/8
1753	E.A3.40.19 ✓ LINK, towing	1	-	C	3/9
21537	E.A3.40.21 ✓ WASHER, tow link	1	-	C	3/10
14706	E.A3.40.209 HOUSING, seals (Mod. 2361)	1	L.65	C	3/11
1462	E.A3.40.9 LEG, sliding, c/w integral axle	1	-	A	3/12
691	E.A1.40.41 NUT, stop	1	S.11	C	3/13

UNDERCARRIAGE
MAIN UNDERCARRIAGE, PORT

Ref. No.	Part No.	Description	No. off	Matl. Spec.	Cl. of Equip.	Plate No.
					M.R. L.M.	
		1 2 3 4 5 6				
32210	E.A3.40.221	PIN, locking piston	3	S.97	C	3/14
	E.A3.40.219	PISTON, sliding leg	1	DTD.197	-	3/15
693	E.A1.40.175	PLATE, orifice	1	S.85	C	3/16
		Attaching parts for E.A1.40.175:-				
683	E.A1.40.61	Bolt, stud	6	S.11	C	3/17
685	E.A1.40.677	PLUG, pivot bearing bush retaining	2	L.40	C	3/19
14701	E.A3.40.203	PLUG, sealing (Mod.2361)	1	DTD.683	C	3/18
14705	E.A3.40.215	RING, backing (Mod.2361)	2	Fabric	C	3/27
					CX.18	
14700	E.A3.40.207	RING, distance between sealing and backing rings (Mod.2361)	1	L.64	C	3/24
697	E.A1.40.57	RING, piston	1	-	C	3/22
12915	E.A1.40.45	RING, retaining felt washer, 12 SWG	1	M.S.	C	3/20
		Attaching parts for E.A1.40.45:-				
28D/1007285	AS.1242/1B	Bolt, 4 BA	8	-	C	3/21
14703	E.A3.40.213	RING, sealing, seal housing (Mod. 2361)	2	Synthetic Rubber	C	3/28
14702	E.A1.40.205	RING, sealing (Mod.2361)	1	Synthetic Rubber	C	3/25
14704	E.A3.40.211	RING, sealing, seal housing (Mod. 2361)	1	Soft Rubber	C	3/26
21354	E.A1.40.659	RING, shock absorber, stop	1	DTD.683	C	3/29
12913	E.A1.40.857	RING, spacer, between sealing rings	1	DTD.683	C	3/28
700	E.A1.40.167	SCREW, grub, stop nut locking	1	S.1	C	3/30
701	E.A1.40.39	WASHER, fibre, under stop nut	1	BS.216	C	3/31
702	E.A1.40.43	WASHER, packing, 3/16" thick	1	Hard Felt	C	3/32
3631	E.A1.40.27 ✓	LINK, torque, top	1	DTD.683	C	2/40
		Attaching parts for E.A1.40.27:-				
661	E.A1.40.153	Bush, bearing	2	DTD.412	C	2/2
28M/13590	A.27/SS	Nut, 3/4" BSF	1	-	C	2/41
704	E.A1.40.69	Pin, bearing, top torque link	1	S.11	C	2/42
1500	E.A3.40.27 ✓	Pin, bearing, torque link joint	1	S.97	C	2/43
708	E.A1.40.139 ✓	Screw, grub, locking, top bearing pin	1	M.S.	C	2/45
707	E.A1.40.77 ✓	Screw, retaining, bearing pin	1	S.11	C	2/44
709	E.A1.40.819	Shim, bearing, pin sleeve	1	L.A.	C	2/58
711	E.A1.40.73	Sleeve, bearing, for torque link	1	S.11	C	2/47
718	E.A1.40.147	Washer, bearing, thrust	1	DTD.419	C	2/51
713	E.A1.40.75 ✓	Washer, bearing, thrust	1	DTD.419	C	2/48
714	E.A1.40.79 ✓	Washer, locking, bearing pin retaining screw, 16 SWG	1	M.S.	C	2/49
715	E.A1.40.83	Washer, spacing, at torque link joint, between link bearing	1	S.11	C	2/50
1514	E.A3.40.29 ✓	Washer, at torque link joint	1	S.96	C	2/52
1515	E.A3.40.31 ✓	Washer, at torque link joint	1	S.96	C	2/53
3632	E.A1.40.28 ✓	LINK, torque, bottom	1	DTD.683	C	2/54
		Attaching parts for E.A1.40.28:-				
661	E.A1.40.153 ✓	Bush, bearing	2	DTD.412	C	2/2
28M/13590	A27/SS ✓	Nut, 3/4" BSF	1	-	C	2/41
703	E.A1.40.67 ✓	Pin, bearing, bottom torque link	1	S.11	C	2/55
1500	E.A3.40.27 ✓	Pin, bearing, torque link joint	1	S.97	C	2/43

UNDERCARRIAGE
MAIN UNDERCARRIAGE, PORT

Ref. No.	Part No.	Description 1 2 3 4 5 6	No. off	Mtrl. Spec.	Cl. of Equip.	Plate No.
					M.R. L.M.	
708	E.A1.40.139 ✓	Screw, grub, locking, bottom bearing pin	1	M.S.	C	2/57
707	E.A1.40.77 ✓	Screw, retaining, bearing pin	1	S.11	C	2/56
709	E.A1.40.619	Shim, bearing, pin sleeve	1	L.A.	C	2/58
710	E.A1.40.71	Sleeve, bearing, for torque link	1	S.11	C	2/59
713	E.A1.40.75	Washer, bearing, thrust	1	DTD.412	C	2/60
718	E.A1.40.147	Washer, bearing, thrust	1	DTD.412	C	2/62
714	E.A1.40.79	Washer, locking, bearing pin retaining screw, 16 SWG	1	M.S.	C	2/61
715	E.A1.40.83	Washer, spacing, at torque link joint between link bearing	1	S.11	C	2/50
1514	E.A3.40.29	Washer, at torque link joint	1	S.96	C	2/52
1615	E.A3.40.31	Washer, at torque link joint	1	S.96	C	2/53
28N/9156370	SP.21 ✓	NIPPLE, lubricating	6	-	C	2/63
712	E.A1.40.137	TAB, locking, 16 SWG	1	M.S.	C	2/64
28S/1200034	A31/B16	Screw, 4 BA	1	-	C	2/65
28W/3097	AGS.162/B	Washer, spring	1	-	C	2/66
521	E.A1.40.467	LEVER, COWL DOOR MECHANISM, ASSEMBLY Spares for:-	1	-	C	2/38
522	E.A1.40.466	BUSH, bearing Attaching parts for E.A1.40.466:-	2	L.40	C	2/37
28D/9453970	A.25/15C	Bolt, 2 BA	1	-	C	
28M/1278190	AGS.2001/C/1	Nut, 2 BA	1	-	C	
	E.A1.40.529 ✓	LEVER, operating Attaching parts for E.A1.40.467:-	1	-	-	2/38
4173	E.A1.40.517 ✓	Bolt, securing cowl door mechanism to leg (Made from A.25/5E)	4	HTS	C	2/39
27A/2853	DUNLOP-KJ.9	TUBE, inner, 43" x 13.5" x 19"	1	-	A	1/11
27A/2852	DUNLOP KJN.16N or DUNLOP DR.4621 or FIRESTONE ZA.341 or FIRESTONE ZA.173 or GOODYEAR GA.1209	TYRE, 43" x 13.5" x 19"	1	-	A	1/3
	DUNLOP DR.4621 or FIRESTONE ZA.341 or FIRESTONE ZA.173 or GOODYEAR GA.1209	TYRE, 43" x 13.5" x 19"	1	-	-	1/3
	FIRESTONE ZA.341 or FIRESTONE ZA.173 or GOODYEAR GA.1209	TYRE, 43" x 13.5" x 19"	1	-	-	1/3
	FIRESTONE ZA.173 or GOODYEAR GA.1209	TYRE, 43" x 13.5" x 19"	1	-	-	1/3
27A/2857	DUNLOP AH.9343 or 27A/3636 AH.50439	WHEEL, undercarriage	1	-	A	1/12
	DUNLOP AH.9343 or 27A/3636 AH.50439	WHEEL, undercarriage	1	-	A	1/12
523	E.A1.40.29	STAY, SIDE, UNDERCARRIAGE, (PRE-MOD. 3585)	1	-	A	4/1
34172	E.A9.40.43	STAY, SIDE, UNDERCARRIAGE, ASSEMBLY (Mod. 3585) Spares for:-	1	-	A	4/1
528	E.A1.40.221	BOLT, connecting, undercarriage operating jack	1	S.65 or S.81	C	4/2
529	E.A1.40.239	BOLT, stop link stay Attaching parts for E.A1.40.239:-	1	S.65 or S.81	C	4/3
537	E.A1.40.353	Nut, lock	1	S.11	C	4/4
530	E.A1.40.405	BOLT, sequence valve operating	1	S.11	C	4/5

UNDERCARRIAGE
MAIN UNDERCARRIAGE, PORT

Ref No.	Part No.	Description 1 2 3 4 5 6	No. off	Matl. Spec.	Cl. of Equip.	Plate No.
					M.R. L/M.	
7112	E.A1.40.229	BRACKET, stop bolt Attaching parts for E.A1.40.229:	1	S.11	C	4/6
28D/1011310	A25/8L	Bolt, 7/16" BSF	—	C	4/8	
28D/13715	A25/15L	Bolt, 7/16" BSF	1	—	C	4/7
28M/9129449	A27/LS	Nut, 7/16" BSF	3	—	C	4/9
7114	E.A1.40.403	BRACKET, sequence valve operating stud Attaching parts for E.A1.40.403:	1	L.40	C	4/10
28D/13196	A25/18L	Bolt 7/16" BSF	1	—	C	4/11
28M/9129449	A27/LS	Nut 7/16" BSF	1	—	C	4/12
531	E.A1.40.199	LEVER, UNDERCARRIAGE LOCK, ASSEMBLY Consisting of	1	—	C	4/13
532	E.A1.40.213	BUSH	1	DTD.197	C	4/14
	E.A1.40.201	LEVER	1	S.11	—	4/15
533	E.A1.40.200	LEVER UNDERCARRIAGE LOCK, ASSEMBLY Consisting of	1	—	C	4/16
532	E.A1.40.213	BUSH	1	DTD.197	C	4/17
	E.A1.40.202	LEVER	1	S.11	—	4/18
525	E.A1.40.195	Attaching parts for E.A1.40.199 & E.A1.40.200:- Bolt, hook	1	S.65 or S.81	C	4/19
	E.A1.40.351	Nut, slotted (Made from A26/QS)	1	—	—	4/20
543	E.A1.40.219	Tube, distance, for undercarriage "down" switch operating bracket	1	L.40	C	4/21
28W/9419481	SP15/Q	Washer	1	—	C	4/22
544	E.A1.40.291	Washer, tab, at undercarriage hook catch bolt, 20 SWG	1	S.3	C	4/23
547	E.A1.40.417	Washer, under tab and connecting bolts	1	L.72	C	4/24
13168	E.A3.40.191	LEVER, UNDERCARRIAGE "DOWN" MICRO- SWITCH OPERATING, ASSEMBLY (MOD. 2151) Spares for:-	1	—	C	4/25
179	E.A1.40.569	SCREW, tappet	1	S.11	C	4/26
6472	E.A1.40.225	LINK, SIDE STAY, ASSEMBLY Spares for:-	1	—	B/MR	4/27
536	E.A1.40.227	BUSH, bearing Attaching parts for E.A1.40.225:-	2	DTD.197	C	4/28
528	E.A1.40.197	Bolt, connecting, stay and link	1	S.65 or S.81	C	4/29
12916	E.A1.40.347	Nut, slotted	1	—	C	4/30
538	E.A1.40.223	Plug, adaptor	1	L.40	C	4/31
546	E.A1.40.357	Washer, link and link stay connecting bolt or	1	S.3	C	4/32
37307	E.A1.40.765					
28N/9156370	SP.21	NIPPLE, lubricating	3	—	C	4/33
26667	E.A3.40.193	NUT, slotted, for undercarriage operating jack bolt (Made from A27/JS) (Mod. 2151)	1	—	C	4/34
13184	E.A3.40.199	PLATE	1	DTD.124	C	4/35
539	E.A1.40.205	ROLLER, stop lever assembly Attaching parts for E.A1.40.205:-	1	—	C	4/36
527	E.A1.40.203	Bolt	1	S.11	C	4/37
	E.A1.40.349	Nut, slotted (Made from A27/JS)	1	—	—	4/38

UNDERCARRIAGE
MAIN UNDERCARRIAGE, PORT

Ref. No.	Part No.	Description	No. off	Mtrl. Spec.	Cl. of	Plate No.
					Equip. M.R. L.M.	
		1 2 3 4 5 6				
7113	E.A1.40.233	SLEEVE, operating spring, for undercarriage lock, stop	1	DTD.197	C	4/39
640	E.A1.40.237	SPRING, compression, at lock, stop	1	-	C	4/40
	E.A1.40.31	STAY, side (Pre-Mod. 3585)	1	DTD.683	-	4/41
40650	E.A9.40.39	STAY, side (Mod. 3585)	1	DTD.5024	-	4/41
541	E.A1.40.235	STOP, undercarriage lock	1	S.11	C	4/42
542	E.A1.40.217	TUBE, distance, undercarriage jack bolt, undercarriage "Down" switch	1	L.40	C	4/43
545	E.A1.40.355	WASHER, link and link stay connecting bolt	1	L.72	C	4/44

UNDERCARRIAGE
MAIN UNDERCARRIAGE, STARBOARD

Ref. No.	Part No.	Description 1 2 3 4 5 6	No. off	Mati. Spec.	Cl. of Equip.		Plate No.
					M.R.	L.M.	
	E.A1.40.2	MAIN UNDERCARRIAGE, STARBOARD, ASSEMBLY Consisting of:-	1	-	-	-	
1461	E.A3.40.6	LEG, OLEO (LESS WHEEL, FIXED FAIRING AND BRAKE UNIT), ASSEMBLY Consisting of:-	1	-	-	-	1/13
27G/4070	DUNLOP AH.9598	BRAKE, unit (For spares see A.P.4515C, Sect. 2, Chap. 37) Attaching parts for AH.9598:-	1	-	-	A	1/14
2168	E.A6.40.35	Bolt	10	S.97	-	C	3/1
28M/13259	A27/NS	Nut, 1/2" BSF	10	-	-	C	3/33
2169	E.A3.40.43	Washer	10	DTD.124A	-	C	3/35
3061	DUNLOP E.A3.20.854	FAIRING, FIXED, ASSEMBLY (Supplied with trim allowance) Spares for:-	1	-	-	B	1/15
21721	E.A3.20.2870	PANEL, HINGE, ASSEMBLY Spares for:-	1	-	-	B	1/16
3028	E.A1.20.1679	HINGE (Make from 28N/10363)	1	-	-	LM	1/6
1887	E.A1.20.1676	PANEL, hinge, 16 SWG	1	L.72	-	C	1/17
	E.A1.40.436	SPRING	2	-	-	C	1/18
1413	E.A1.20.6817	PANEL, access, picket point	1	-	-	C	1/9
	E.A3.20.1627	SEAL, 3/8" dia. x 90" long (Make from Ref. 4432) Attaching parts for E.A.3.20.854:-	1	-	-	LM	1/10
4174	E.A1.40.519	Bolt, securing, fixed fairing mounting brackets to leg (Made from A25/5G)	8	-	-	C	
28W/3100	AGS.162/E	Washer, 1/2" BSF	8	-	-	C	
32313	E.A3.40.224	LEG, SLIDING AND OLEO HEAD, ASSEMBLY (MOD.3211) Spares for:-	1	-	-	A	2/67
660	E.A1.40.639	BRACKET, angle, micro-switch mounting Attaching parts for E.A1.40.639:-	1	L.72	-	C	2/68
28D/9140638	A25/4B	Bolt, 4 BA	4	-	-	C	2/69
28M/9403619	A27/BP	Nut, 4 BA	4	-	-	C	2/70
706	E.A1.40.335	Plate, packing	1	L.A.	-	C	2/71
28W/3097	AGS.162/B	Washer	4	-	-	C	2/72
662	E.A1.40.671	FINGER, operating micro-switch plunger Attaching parts for E.A1.40.671:-	1	-	-	C	2/73
28S/9435713	A31/C20	Screw, 2 BA	2	-	-	C	2/74
28W/1007983	AGS.162/C	Washer	2	-	-	C	2/75
	E.A1.40.8	HEAD, OLEO, ASSEMBLY Spares for:-	1	-	-	-	2/76
663	E.A1.40.89	BEARING, spherical seated, ball joint side stay Attaching parts for E.A1.40.89:-	1	S.11	-	C	2/4
664	E.A1.40.101	Bush, bearing	1	DTD.412	-	C	2/5
675	E.A1.40.96	Ring, lower, retaining, ball joint	1	DTD.124	-	C	2/77
677	E.A1.40.98	Ring, upper, retaining, ball joint	1	DTD.124	-	C	2/78
680	E.A1.40.99	Stud, retaining rings	12	S.11	-	C	2/8

UNDERCARRIAGE
MAIN UNDERCARRIAGE, STARBOARD

Ref. No.	Part No.	Description	No. off	Matl. Spec.	Cl. of Equip.	Plate No.
					M.R. L.M.	
		1 2 3 4 5 6				
665	E.A1.40.109	BUSH, pivot	2	DTD.412	C	2/19
666	E.A1.40.111	BUSH, torque link lug	2	DTD.412	C	2/10
		Attaching parts for E.A1.40.111:-				
673	E.A1.40.679	Plug, bearing bush, retaining	1	L.40	C	2/11
667	E.A1.40.133	DISC, sealing, piston dowel plug	2	L.40	C	2/12
		Attaching parts for E.A1.40.133:-				
679	E.A1.40.625	Screw, retaining, plug dowel seal	1	L.40	C	2/13
668	E.A1.40.131	DOWEL, piston	2	S.11	C	2/14
21482	E.A1.40.20	HEAD, oleo, forging	1	DTD.693	A/MR	2/79
669	E.A1.40.103	HOOK, 'S' shaped, 16 SWG	2	-	C	2/16
20656	E.A1.40.127	PIPE, stack, assembly	1	-	B/MR	2/17
		Attaching parts for E.A1.40.127:-				
28F/8014021	AGS.1138/B	Washer, jointing	1	-	C	2/18
	E.A1.40.18	PISTON, OPERATING, ASSEMBLY	1	-	-	2/80
		Consisting of:-				
1099	EEAS.37/22A	NIPPLE, 2 BA	2	S.11	C	2/20
670	E.A1.40.647	PISTON	1	DTD.197	C	2/21
671	E.A1.40.649	PLATE, orifice enclosure, control	1	S.11	C	2/22
		Attaching parts for E.A1.40.649:-				
683	E.A1.40.81	Bolt, attachment, orifice plate	3	S.11	C	2/23
672	E.A1.40.651	RING, piston	1	-	C	2/24
	EEAS.38/3A	SPOKE, 2 BA (Make from 28R/6328)	1	S.11	-	2/25
12914	E.A1.40.118	STRUT, piston, main	1	T.4	C	2/81
678	E.A1.40.156	RING, sealing, at dowel	2	-	C	2/27
681	E.A1.40.106	TUBE, distance	1	L.40	C	2/30
	H.PRESSURE COMPS. LTD.					
28Y/15486	GYP.A.58	VALVE, charging	1	-	B	2/28
		Attaching parts for GYP.A.58:-				
28D/11890	AS.1246/5C	Bolt, 2 BA, round head	1	-	C	2/29
28W/1007983	AGS.162/C	Washer	1	-	C	2/31
28F/8014021	AGS.1138/B	Washer, jointing	1	-	C	2/32
682	E.A1.40.149	Washer, locking, valve, 14 SWG	1	DTD.124	C	2/33
	E.A3.40.226	LEG, SLIDING, COMPRESSION, ASSEMBLY	1	-	-	3/36
		Consisting of:-				
26640	E.A3.40.201	BOLT, clamp, axle locking (Mod. 2308)	1	S.96	C	3/3
684	E.A1.40.161	BUSH, bearing, in lug	2	DTD.124	C	3/5
685	E.A1.40.627	BUSH, bearing (Pre.Mod. 271)	1	-	C	3/4
2487	E.A3.40.45	BUSH, bearing (Mod. 271)	1	-	C	3/4
20896	E.A3.40.13	CLAMP, AXLE, ASSEMBLY	1	-	A/MR	3/6
		Spares for:-				
21355	E.A3.40.23	BUSH	1	L.16	C	3/7
1762	E.A3.40.17	CLAMP, axle body	1	-	C	3/8
1753	E.A3.40.19	LINK, towing	1	-	C	3/9
21537	E.A3.40.21	WASHER, tow link	1	-	C	3/10

UNDERCARRIAGE
MAIN UNDERCARRIAGE, STARBOARD

Ref. No.	Part No.	Description	No. off	Mtrl. Spec.	Cl. of Equip.		Plate No.
					M.R.	L.M.	
		1 2 3 4 5 6					
14706	E.A3.40.209	HOUSING, SEALS (Mod. 2361)	1	L.65	C		3/11
1463	E.A3.40.10	LEG, sliding, c/w integral axle	1	-	A		3/12
691	E.A1.40.41	NUT, stop	1	S.11	C		3/13
32210	E.A3.40.221	PIN, locking, piston	3	S.97	C		3/14
	E.A3.40.219	PISTON, sliding leg	1	DTD.197	-		3/15
693	E.A1.40.175	PLATE, orifice	1	S.65	C		3/16
		Attaching parts for E.A1.40.175:-					
683	E.A1.40.61	Bolt, stud	6	S.11	C		3/17
695	E.A1.40.677	PLUG, pivot bearing bush retaining	2	L.40	C		3/19
14701	E.A3.40.203	PLUG, sealing (Mod. 2361)	1	DTD.683	C		3/18
14705	E.A3.40.215	RING, backing (Mod. 2361)	2	Fabric CX.18	C		3/27
14700	E.A3.40.207	RING, distance between sealing and backing rings (Mod. 2361)	1	L.64	C		3/24
697	E.A1.40.57	RING, piston	1	-	C		3/22
12915	E.A1.40.45	RING, retaining, felt washer, 12 SWG	1	M.S.	C		3/20
		Attaching parts for E.A1.40.45:-					
28D/1007285	AS.1242/18	Bolt, 4 BA	8	-	C		3/21
14703	E.A3.40.213	RING, sealing, seal housing (Mod. 2361)	2	Synthetic Rubber	C		3/26
14702	E.A1.40.205	RING, sealing (Mod. 2361)	1	Synthetic Rubber	C		3/23
14704	E.A3.40.211	RING, sealing, seal housing (Mod. 2361)	1	Soft Rubber	C		3/25
21354	E.A1.40.669	RING, shock absorber, stop	1	DTD.683	C		3/29
12913	E.A1.40.667	RING, spacer, between sealing rings	1	DTD.683	C		3/28
700	E.A1.40.167	SCREW, grub, stop nut locking	1	S.1	C		3/30
701	E.A1.40.39	WASHER, fibre, under stop nut	1	BS.216	C		3/31
702	E.A1.40.43	WASHER, packing, 3/16" stop	1	Hard felt	C		3/32
3632	E.A1.40.28	LINK, torque top	1	DTD.683	C		2/40
		Attaching parts for E.A1.40.27:-					
661	E.A1.40.153	Bush, bearing	2	DTD.412	C		2/2
28M/13590	A.27/SS	Nut, 3/4" BSF	1	-	C		2/41
704	E.A1.40.69	Pin, bearing, top torque link	1	S.11	C		2/42
1500	E.A3.40.27	Pin, bearing, torque link joint	1	S.97	C		2/43
708	E.A1.40.139	Screw, grub, locking, top bearing pin	1	M.S.	C		2/45
707	E.A1.40.77	Screw, retaining, bearing pin	1	S.11	C		2/44
709	E.A1.40.619	Shim, bearing pin sleeve	1	L.A.	C		2/58
711	E.A1.40.73	Sleeve, bearing, for torque link	1	S.11	C		2/47
718	E.A1.40.147	Washer, bearing, thrust	1	DTD.419	C		2/51
713	E.A1.40.75	Washer, bearing, thrust	1	DTD.419	C		2/48
714	E.A1.40.79	Washer, locking, bearing pin retaining screw, 16 SWG	1	M.S.	C		2/49
715	E.A1.40.83	Washer, spacing, at torque link joint, between link bearing	1	S.11	C		2/50
1514	E.A3.40.29	Washer, at torque link joint	1	S.96	C		2/52
1515	E.A3.40.31	Washer, at torque link joint	1	S.96	C		2/53

UNDERCARRIAGE
MAIN UNDERCARRIAGE, STARBOARD

Ref. No.	Part No.	Description	No. off	Matl. Spec.	Cl. of Equip.	Plate No.
					M.R. L.M.	
		1 2 3 4 5 6				
3831	E.A1.40.27	LINK, torque, bottom Attaching parts for E.A1.40.28:-	1	DTD.883	C	2/55
661	E.A1.40.153	Bush, bearing	2	DTD.412	C	2/2
28M/13690	A.27/SS	Nut, 3/4" BSF	1	-	C	2/41
703	E.A1.40.87	Pin, bearing bottom torque link	1	S.11	C	2/55
1500	E.A3.40.27	Pin, bearing, torque link joint	1	S.97	C	2/43
708	E.A1.40.139	Screw, grub, locking bottom bearing pin	1	M.S.	C	2/57
707	E.A1.40.77	Screw, retaining, bearing pin	1	S.11	C	2/56
709	E.A1.40.819	Shim, bearing, pin sleeve	1	L.A.	C	2/58
710	E.A1.40.71	Sleeve, bearing, for torque link	1	S.11	C	2/59
713	E.A1.40.75	Washer, bearing, thrust	1	DTD.412	C	2/60
718	E.A1.40.147	Washer, bearing thrust	1	DTD.412	C	2/62
714	E.A1.40.79	Washer, locking, bearing pin retaining screw, 16 SWG	1	M.S.	C	2/61
715	E.A1.40.83	Washer, spacing, at torque link joint, between link bearing	1	S.11	C	2/50
1514	E.A3.40.29	Washer, at torque link joint	1	S.96	C	2/52
1515	E.A3.40.31	Washer, at torque link joint	1	S.96	C	2/53
28N/9158370	SP.21	NIPPLE, lubricating	5	-	C	2/63
712	E.A1.40.137	TAB, locking, 16SWG	1	M.S.	C	2/64
28S/1200034	A.31/B18	Attaching parts for E.A1.40.137:- Screw, 4 BA	1	-	C	2/65
28W/3097	AGS.162/B	Washer, spring	1	-	C	2/66
521	E.A1.40.487	LEVER, COWL DOOR MECHANISM, ASSEMBLY Spares for:-	1	-	C	2/36
522	E.A1.40.465	BUSH, bearing Attaching parts for E.A1.40.465:-	2	L.40	C	2/37
28D/9453970	A.25/15C	Bolt, 2 BA	1	-	C	
28M/1278190	AGS.2001/C/1	Nut, 2 BA	1	-	C	
	E.A1.40.529	LEVER, operating Attaching parts for E.A1.40.467:-	1	-	-	2/38
4173	E.A1.40.517	Bolt, securing, cowl door mechanism to leg (Make from A.25/5E)	4	HTS	C	2/39
27A/2853	DUNLOP-KJ.9	TUBE, inner, 43" x 13."5 x 19"	1	-	A	1/11
	DUNLOP					
27A/2852	KJN.16N	TYRE, 43" x 13."6 x 19"	1	-	A	1/3
	or					
	DUNLOP					
	DR.4521	TYRE, 43" x 13."5 x 19"	1	-	-	1/3
	or					
	FIRESTONE					
	ZA.341	TYRE, 43" x 13."5 x 19"	1	-	-	1/3
	or					
	FIRESTONE					
	ZA.173	TYRE, 43" x 13."5 x 19"	1	-	-	1/3
	or					
	GOODYEAR					
	GA.1209	TYRE, 43" x 13."5 x 19"	1	-	-	1/3

UNDERCARRIAGE
MAIN UNDERCARRIAGE, STARBOARD

Ref. No.	Part No.	Description	No. off	Matl. Spec.	Ct. of	Plate
					Equip.	
		1 2 3 4 5 6			M.R.	
					L.M.	
27A/2667	DUNLOP AH.9343	WHEEL, undercarriage	1	-	A	1/12
27A/3635	or DUNLOP AH.50439	WHEEL, undercarriage	1	-	A	1/12
524	E.A1.40.30	STAY SIDE, UNDERCARRIAGE ASSEMBLY (Pre. Mod. 3585)	1	-	A	4/45
34173	E.A9.40.44	STAY, SIDE, UNDERCARRIAGE ASSEMBLY (Mod. 3585)	1	-	A	4/45
		Spares for:-				
528	E.A1.40.221 ✓	BOLT, connecting u/cc operating jack	1	S.65orS.81	C	4/2
529	E.A1.40.239 ✓	BOLT, stop link stay	1	S.65orS.81	C	4/3
		Attaching parts for E.A1.40.239:-				
537	E.A1.40.353 ✓	Nut, lock	1	S.11	C	4/4
530	E.A1.40.405 ✓	BOLT, sequence, valve operating	1	S.11	C	4/5
7112	E.A1.40.229 ✓	BRACKET, stop bolt	1	S.11	C	4/6
		Attaching parts for E.A1.40.229:-				
28D/1212690	A.25/15L ✓	Bolt, 7/16" BSF	1	HTS	C	4/7
28D/1011310	A.25/8L ✓	Bolt, 7/16" BSF	2	HTS	C	4/8
28M/9129449	A.27/LS ✓	Nut, 7/16" BSF	3	-	C	4/9
32721	E.A1.40.404 ✓	BRACKET, sequence, valve operating stud	1	L.40	C	4/46
		Attaching parts for E.A1.40.404:-				
28D/13196	A.25/18L ✓	Bolt, 7/16" BSF	1	HTS	C	4/11
28M/9129449	A.27/LS ✓	Nut, 7/16" BSF	1	-	C	4/12
531	E.A1.40.199 ✓	LEVER, UNDERCARRIAGE LOCK ASSEMBLY	1	-	C	4/13
		Consisting of:-				
532	E.A1.40.213 ✓	BUSH	1	DTD.197	C	4/14
	E.A1.40.201 ✓	LEVER	1	S.11	-	4/15
533	E.A1.40.200 ✓	LEVER, UNDERCARRIAGE LOCK ASSEMBLY	1	-	C	4/16
		Consisting of:-				
532	E.A1.40.213 ✓	BUSH	1	DTD.197	C	4/17
	E.A1.40.202 ✓	LEVER	1	S.11	-	4/18
		Attaching parts for E.A1.40.199 & E.A1.40.200:-				
525	E.A1.40.195	Bolt, hook catch	1	S.65 or S.81	C	4/19
	E.A1.40.351	Nut, slotted (Make from A.27/QS)	1	M.S.	-	4/20
543	E.A1.40.219	Tube, distance, for U/C "Down" switch operating bracket	1	L.40	C	4/21
28W/9419481	SP.15/O	Washer	1	-	C	4/22
544	E.A1.40.291	Washer, tab, at U/C hook catch bolt 20 SWG	1	S.3	C	4/23
547	E.A1.40.417	Washer, under tab & connecting bolts	1	L.72	C	4/24

UNDERCARRIAGE
MAIN UNDERCARRIAGE, STARBOARD

Ref. No.	Part No.	Description	No. off	Mati. Spec.	Cl. of Equip.	Plate No.
					M.R. L.M.	
		1 2 3 4 5 6				
13169	E.A3.40.192	LEVER, UNDERCARRIAGE "DOWN" MICRO SWITCH OPERATING, ASSEMBLY Spare for:-	1	-	C	4/47
179	E.A1.40.569	SCREW, tappet	1	S.11	C	4/26
6472	E.A1.40.225	LINK, SIDE STAY ASSEMBLY Spare for:-	1	-	B/MR	4/27
536	E.A1.40.227	BUSH, bearing Attaching parts for E.A1.40.225:-	2	DTD.197	C	4/28
526	E.A1.40.197	Bolt, connecting stay and link	1	S.65 or S.81	C	4/29
12916	E.A1.40.347	Nut, slotted	1	M.S.	C	4/30
538	E.A1.40.223	Plug, adaptor	1	L.40	C	4/31
546	E.A1.40.367	Washer, link and link stay connecting bolt	1	S.3	C	4/32
37307	E.A1.40.766	Washer, link and link stay connecting bolt	1	-	-	4/32
28N/9156370	SP.21	NIPPLE, lubricating, 1/4" BSF	3	LA	C	4/33
26667	E.A3.40.193	NUT, slotted, for U/C operating jack bolt (Make from A.27/JS)	1	-	C	4/34
13184	E.A3.40.199	PLATE	1	DTD.124	C	4/35
539	E.A1.40.205	ROLLER, stop lever, assembly Attaching parts for E.A1.40.205:-	1	-	C	4/36
527	E.A1.40.203	Bolt	1	S.11	C	4/37
	E.A1.40.349	Nut, slotted (Make from A27/JS)	1	M.S.	-	4/38
7113	E.A1.40.23	SLEEVE, operating spring for U/C lock stop	1	DTD.197	C	4/39
540	E.A1.40.237	SPRING, compression, at lock stop	1	Spring Steel	C	4/40
	E.A1.40.32	STAY, side (Pre. Mod. 3585)	1	DTD.683	-	4/48
40651	E.A1.40.40	STAY, side (Mod. 3585)	1	-	-	4/48
541	E.A1.40.235	STOP, U/C lock	1	S.11	C	4/42
542	E.A1.40.217	TUBE, distance, U/C jack bolt U/C "Down" switch	1	L.40	C	4/43
545	E.A1.40.355	WASHER, link & link stay connecting bolt	1	L.72	C	4/44

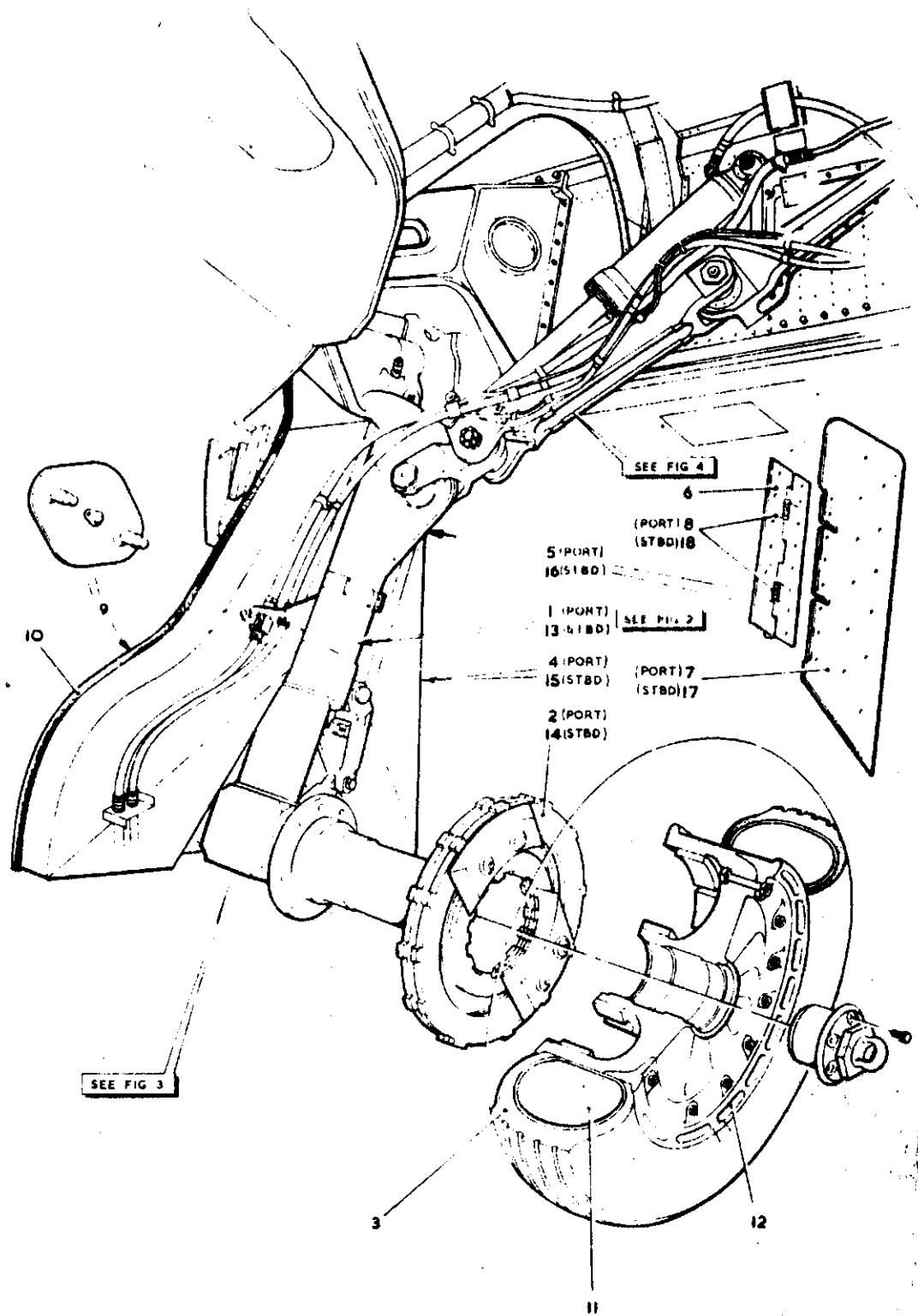


FIG.1 MAIN UNDERCARRIAGE. PORT & STBD.

ABCD

SECT W

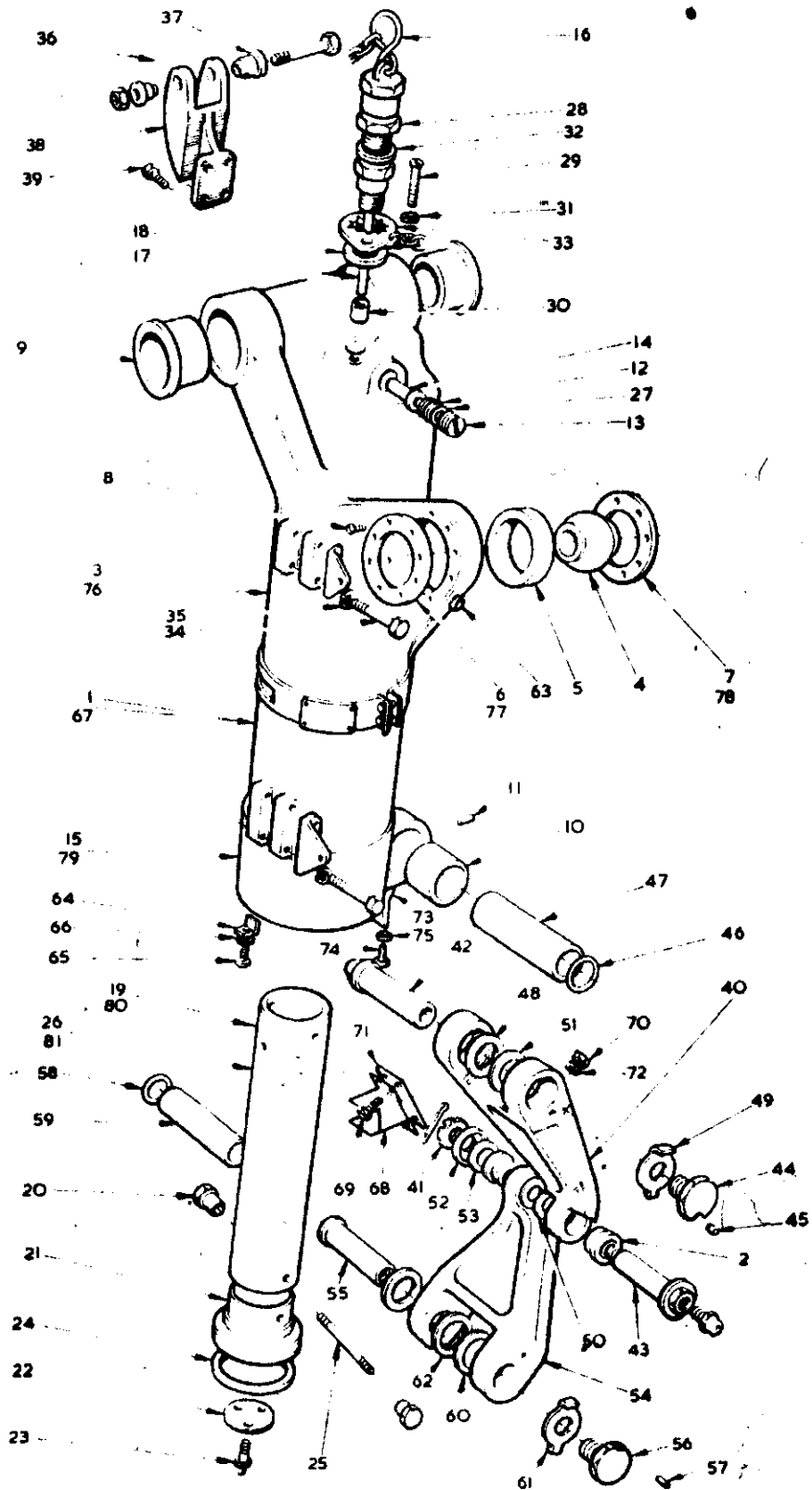


FIG 2 MAIN UNDERCARRIAGE PORT & STBD

ABCD

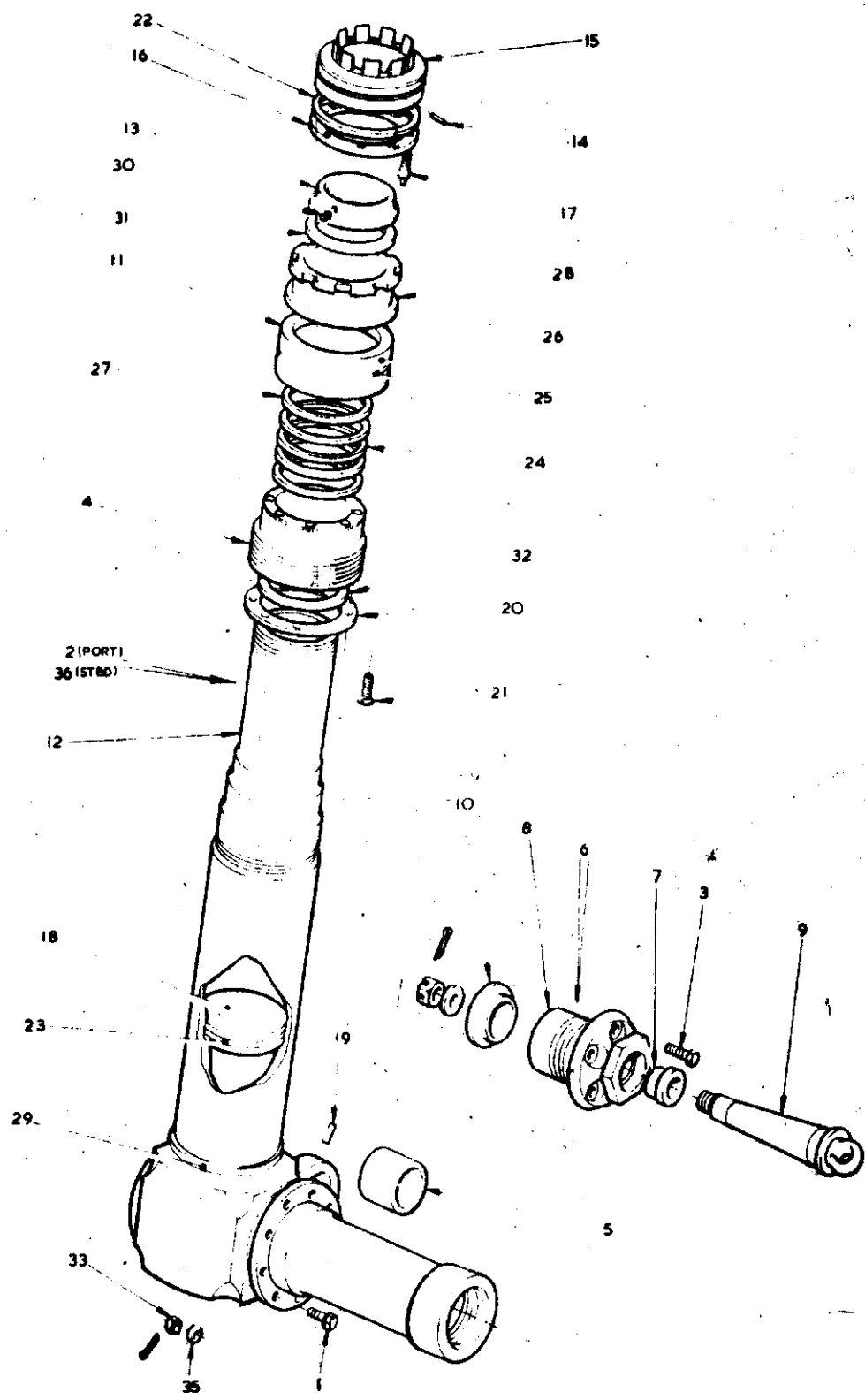


FIG 3 MAIN UNDERCARRIAGE PORT & STBD

ABCD

SECT W

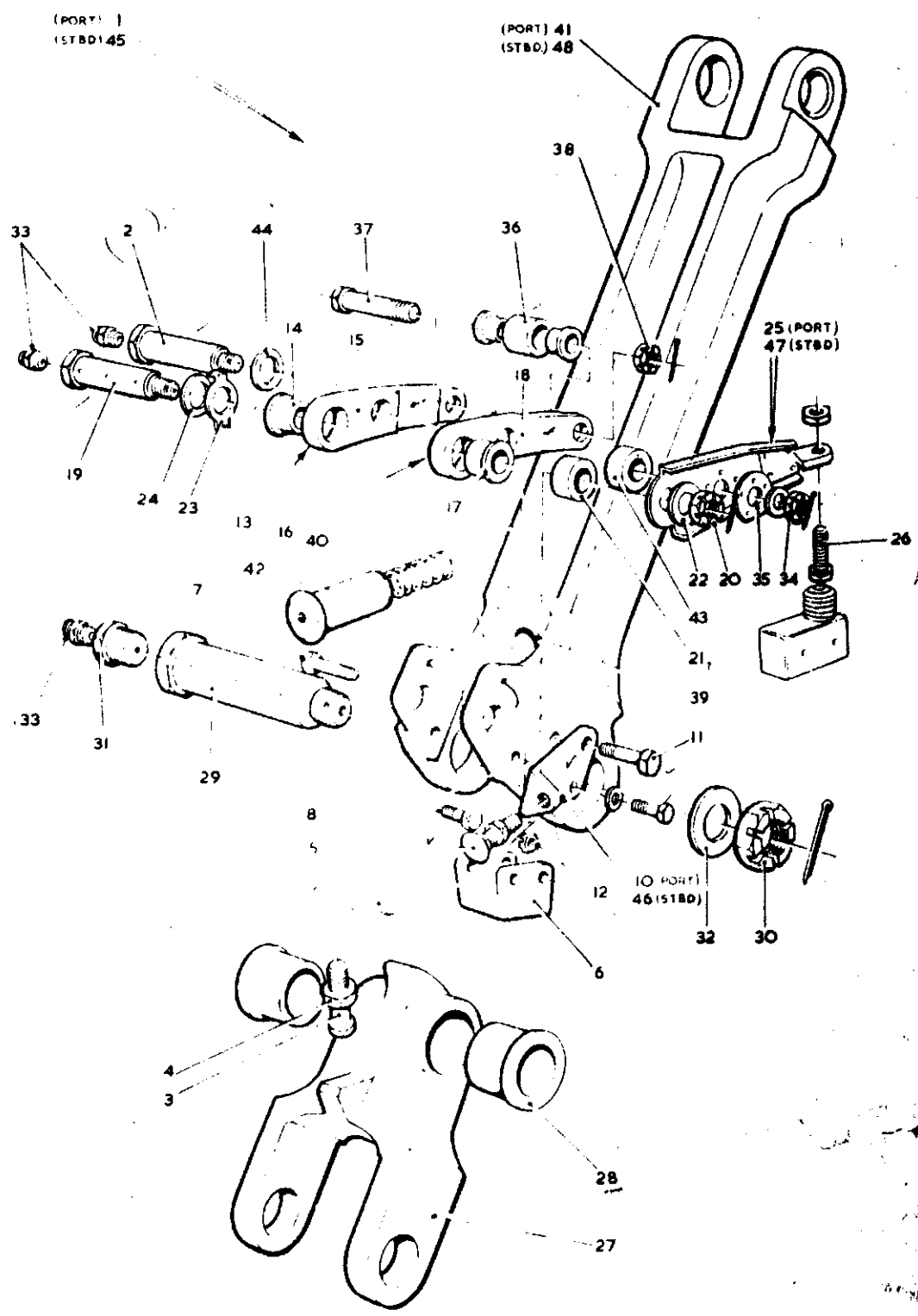


FIG. 4 MAIN UNDERCARRIAGE, PORT & STBD.

ABCD

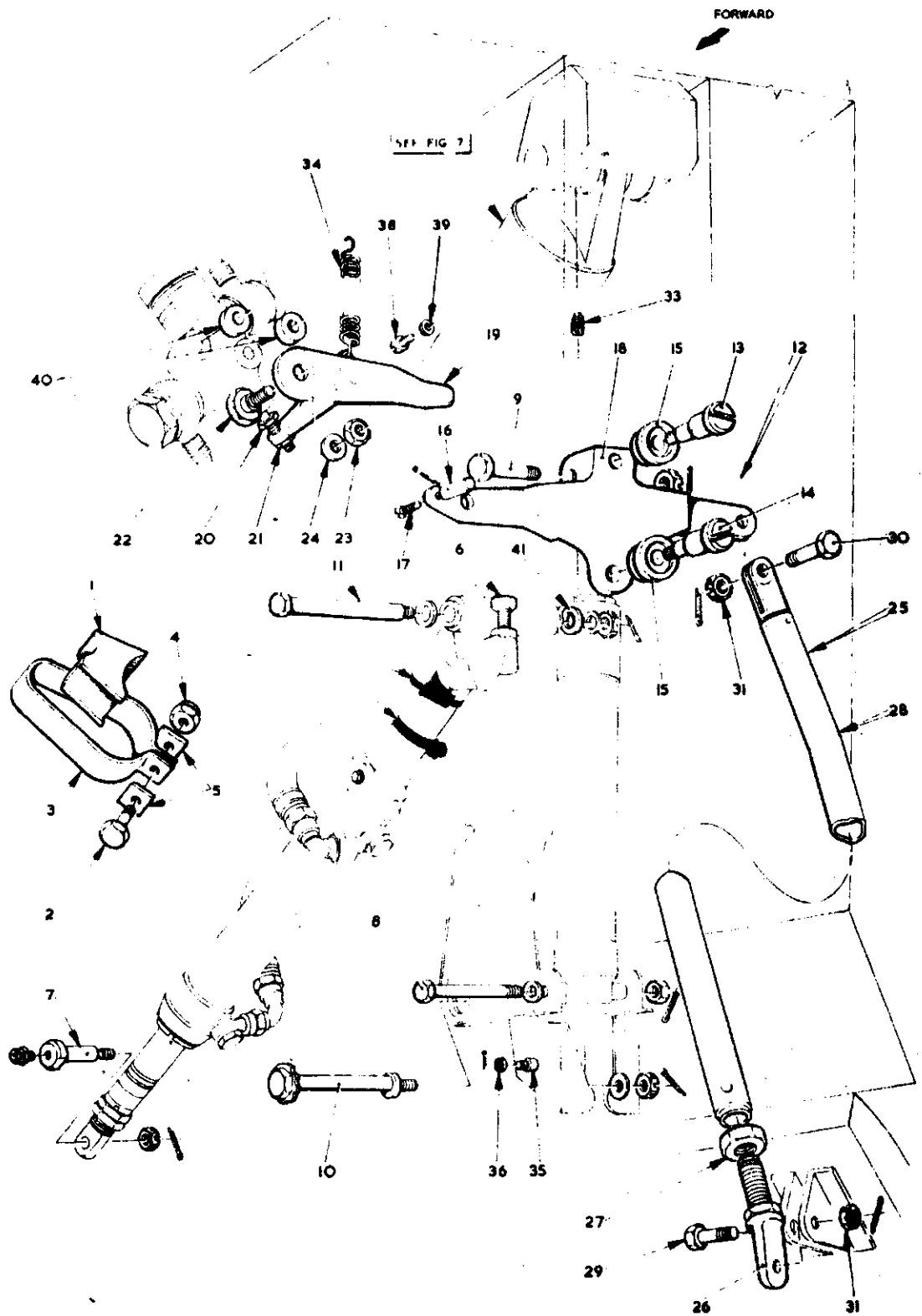


FIG.5 UNDERCARRIAGE NOSEWHEEL

ABCD

SECT M

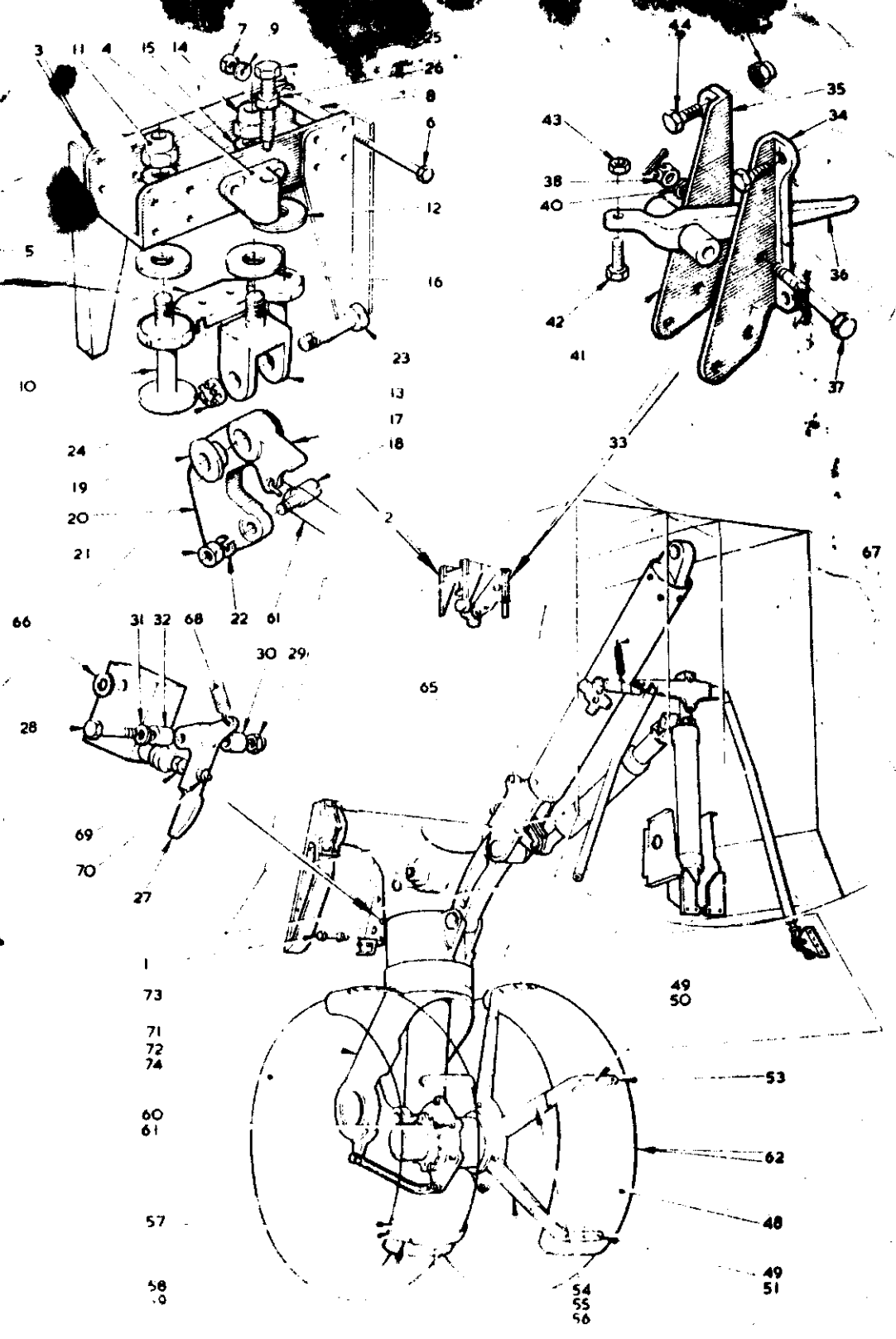


FIG. 6 UNDERCARRIAGE AND STEERING WHEEL



FIG. 7 UNDERCARRIAGE NOSEWHEEL

**UNDERCARRIAGE
NOSEWHEEL**

Ref. No.	Part No.	Description	1 2 3 4 5 6						No. off	Matl. Spec.	Cl. of Equip. M.R. L.M.	Plate No.
	E.A9.40.1	NOSEWHEEL, ASSEMBLY										
22055	E.A9.40.15	Spares for:- BLOCK, flexible hose support						2	LFS.21	C	5/1	
28D/12513	A25/2C	Attaching parts for E.A9.40.15:-										
22057	E.A9.40.13	Bolt, 2 BA						1		C	5/2	
28M/10288	AGS.2001/C/1	Clip						1	L.72	C	5/3	
22329	E.A9.40.17	Nut, 2 BA						1		C	5/4	
		Washer, corner						1	L.72	C	5/5	
3753	E.A1.40.617	BOLT, adjusting, undercarriage door crosshead stop (made from Ref. 28D/12543)						2	H.T.S.	C	5/6	
22373	E.A9.40.19	BOLT, connecting operating jack to undercarriage locking lever (Pre-Mod. 2704)						1	S.96	C	5/7	
32172	E.A9.40.21	BOLT, connecting operating jack to undercarriage locking lever (Mod. 2704)						1	S.96	C	5/7	
189	E.A1.40.805	BOLT, hydraulic jack anchor						1	S.85	C	5/8	
4507	E.A3.40.139	BOLT, jack attachment to crosshead						1	S.11	C	5/9	
183	E.A1.40.481	BOLT, nosewheel door "Up" latch forward						1	S.11	C	5/1	
184	E.A1.40.493	BOLT, nosewheel door "Up" latch aft						1	S.11	C	5/10	
22056	E.A9.40.11	BOLT, nose undercarriage jack hinge						1	S.96	C	5/11	
12023	E.A3.40.159	BRACKET, UNDERCARRIAGE "UP" HOOK, ASSEMBLY						1		B	5/2	
	E.A1.40.385	Consisting of:- BEAM, BRACKET, LOCKING HOOK, ASSEMBLY						1			5/3	
20845	E.A1.40.369	Spares for:- LUG						1	L.40	C/MR	5/4	
25628	E.A1.40.377	PLATE, locking						1	L.72	C	5/5	
	A25/22C	Attaching parts for E.A1.40.385:-										
28D/12568	A27/CP	Bolt, 2 BA						8		C	5/6	
28M/9403520	E.A1.40.381	Nut, 2 BA						8		C	5/7	
	AGS.162/C	Tube, distance						8	L.62	LM	5/8	
28W/3098		Washer						8		C	5/9	
12024	E.A3.40.151	BOLT, stop, for buffer, assembly						2		C	5/10	
		Attaching parts for E.A3.40.151:-										
28M/10292	AGS.2001/J/1	Nut, 3/8"						1	M.S.	C	5/11	
174	E.A1.40.399	Washer, laminum						1	L.A.	C	5/12	
22251	E.A1.40.373	BRACKET, hook suspension						1	S.11	C	5/13	
		Attaching parts for E.A1.40.373:-										
28M/10292	AGS.2001/J/1	Nut, 3/8"						1	M.S.	C	5/14	
28W/9419489	SP.16/J	Washer						1		C	5/15	
174	E.A1.40.399	Washer, laminum						1	L.A.	C	5/16	
12025	E.A3.40.143	HOOK, UNDERCARRIAGE "UP" LATCH, ASSEMBLY						1		B	5/17	
		Consisting of:-										
13109	E.A3.40.147	BOLT, special						1	DTD.126A	C	5/18	
	E.A1.40.393	BUSH						1	DTD.197		5/19	
	E.A3.40.145	HOOK, "Up" latch						1	H.T.S.		5/20	
28M/9403520	A27/CP	NUT, 2 BA						1		C	5/21	
28W/3098	AGS.162/C	WASHER, spring						1		C	5/22	
		Attaching parts for E.A3.40.143:-										
171	E.A1.40.371	Bolt, pivot for hook						1	S.11	C	5/23	
28M/12930	A27/ES	Nut, 1/4" BSF						1		C	5/24	
20846	E.A1.40.389	SCREW, adjusting, hook stop						1	S.11	C/MR	5/25	
		Attaching part for E.A1.40.389:-										
28M/12928	A27/EP	Nut, adjusting, 1/4" BSF						1		C	5/26	

UNDERCARRIAGE

NOSEWHEEL

Ref. No.	Part No.	Description 1 2 3 4 5 6	No. off	Matl. Spec.	Cl. of	Plate No.
					Equip. M.R. L.M.	
4694	E.A3.40.93	CROSSHEAD, NOSEWHEEL DOORS, C/W VALVE TRIP, ASSEMBLY Spares for:-	1	-	B/MR	5/12
5514	E.A3.40.97	PIN, roller top	1	S.11	C	5/13
12926	E.A3.40.181	PIN, roller, bottom	1	S.11	C	5/14
178	E.A1.40.553	ROLLER, guide	2	DTD.883	C	5/15
5515	E.A1.40.561	VALVE, trip	1	-	C	5/16
28S/2838	A33/C32	Attaching parts for E.A1.40.561:- Screw, 2 BA, 1" long	1	-	C	5/17
	E.A3.40.95	YOKE, crosshead	1	-	-	5/18
39181	E.A9.40.35	LEVER, micro-switch operating, undercarriage door front latch Attaching parts for E.A9.40.35:-	1	-	C	6/27
28D/12537	A25/14C	Bolt, 2 BA	1	H.T.S.	1	6/28
28M/10288	AGS.2001/C/1	Nut, 2 BA	1	M.S.	1	6/29
3755	E.A1.40.731	Piece, distance	1	-	C	6/30
4141	E.A1.46.989	Shim	2	-	C	6/31
	AS.2811-7-023	Spacer	2	L.62	LM	6/32
3751	E.A1.40.567	LEVER, UNDERCARRIAGE SEQUENCE VALVE ASSEMBLY Spares for:-	1	-	B/MR	5/19
178	E.A1.40.569	TAPPET, valve screw Attaching parts for E.A1.40.569:-	1	S.11	C	5/20
28M/12931	A27/ET	Nut, 1/2" BSF, adjusting	1	-	C	5/21
	E.A1.40.581	Attaching parts for E.A1.40.567:- Bolt, fulcrum, undercarriage door actuating sequence valve	1	S.11	C	5/22
28M/13375	A27/GP	Nut, 5/16" BSF	1	-	C	5/23
1078	EEAS.28/35-FU	Washer, packing, "33 dia.	1	DTD.124	C	5/24
3754	E.A1.40.703	LEVER, BRACKET, UNDERCARRIAGE SEQUENCE VALVE, ASSEMBLY Spares for:-	1	-	B/MR	6/33
	E.A1.40.707	BRACKET, valve, sequence, front	1	-	-	6/35
	E.A1.40.705	BRACKET, valve, sequence, rear	1	-	-	6/34
28D/12531	A25/3C	Attaching parts for E.A1.40.707 and E.A1.40.705:- Bolt, 2 BA	2	-	C	6/44
28M/10288	AGS.2001/C/1	Nut, 2 BA	2	-	C	6/45
	E.A1.40.573	LEVER, sequence valve operating Attaching parts for E.A1.40.573:-	1	DTD.883	-	6/36
13182	E.A1.40.709	Bolt, operating lever fulcrum	1	S.11	C	6/37
28M/13121	A27/CS	Nut, 2 BA	1	-	C	6/38
28W/9419475	SP.15/C	Washer, 2 BA	1	-	C	6/40
	E.A1.40.711	Washer, fulcrum bolt	2	L.40	-	6/41
179	E.A1.40.569	TAPPET, valve screw Attaching parts for E.A1.40.569:-	1	S.11	C	6/42
28M/12931	A27/ET	Nut, adjusting	1	-	C	6/43

UNDERCARRIAGE

NOSEWHEEL

Ref. No.	Part No.	Description	No. off	Mtrl. Spec.	Cl. of Equip.	Plate No.
					M.R. L.M.	
		1 2 3 4 5 6				
180	E.A1.40.531	LINK DOOR, OPERATING, ASSEMBLY Spares for:-	2	-	C	5/26
4778	E.A1.40.535	BOLT, eye, assembly	2	-	C	5/26
33793	E.A1.40.541	Attaching parts for E.A1.40.535:- Nut (Make from Ref. 14533)	2	MS.	C	5/27
	E.A1.40.533	TUBE, assembly	1	-	-	5/23
168	E.A1.40.595	Attaching parts for E.A1.40.533:- Bolt, link to crosshead	1	-	C	5/30
167	E.A1.40.593	Bolt, link to door	1	-	C	5/29
28M/1011467	A27/ES	Nut, 1/2" BSF	2	-	C	5/31
8987	E.A3.40.169	MUDGUARD, NOSEWHEEL, ASSEMBLY Consisting of:-	1	-	B	6/46
5503	E.A3.40.133	FLAP, rubber, nosewheel mudguard	1	Shore 40	C	6/47
5504	E.A3.40.127	MUDGUARD, nosewheel	1	L.72	C	6/48
		Attaching parts for E.A3.40.127:-				
28D/1013177	AS.1242/2E	Bolt, 1/2" BSF	9	HTS.	C	6/49
5505	E.A3.40.131	Nut, 1/2" BSF	3	S.95	C	6/51
28M/1007403	A27/ET	Nut, 1/2" BSF	6	MS.	C	6/50
6948	E.A3.40.166	STAY, mudguard, assembly	1	-	C	6/52
6949	E.A3.40.167	STAY, end, mudguard, attachment	3	DTD.683	C	6/53
		Attaching parts for E.A3.40.167:-				
28D/9133012	A25/3C	Bolt, 2 BA	12	HTS.	C	6/54
28M/1006473	A27/CT	Nut, 2 BA	12	MS.	C	6/55
28W/9419475	SP.15/C	Washer	12	-	C	6/56
20930	E.A3.40.135	STRIP, backing	1	L.72	C/MR	6/57
		Attaching parts for E.A3.40.135:-				
28D/1007974	AS.1242/1C	Bolt, 2 BA	3	HTS.	C	6/58
5506	E.A3.40.137	Nut, 2 BA	3	S.95	C	6/59
		Attaching parts for E.A3.40.169:-				
28D/1011300	A25/7J	Bolt, 3/8" BSF	3	HTS.	C	6/60
28W/9419477	SP.15/J	Washer, 3/8" BSF	3	LA.	C	6/61
8988	E.A3.40.170	MUDGUARD, NOSEWHEEL, ASSEMBLY Spares for this assembly are identical with those for Part No. E.A3.40.169	1	-	B	6/62
28N/9156370	SP.21	NIPPLE, lubricating	1	-	C	6/65
3688	E.A6.40.37	ROD, RADIUS, ASSEMBLY Consisting of:-	1	-	A	7/1
5128	E.A3.40.77	BRACKET, micro switch	1	L.72	C	7/2
		Attaching parts for E.A3.40.77:-				
28D/9436920	A25/1C	Bolt, 2 BA	3	-	C	7/3
28W/9416643	SP.47/C	Washer, spring	3	-	C	7/4
3656	E.A3.40.65	BUSH, spring, plunger	1	DTD.197	C	7/5
186	E.A1.40.821	DOWEL	2	S.11	C	7/6
1893	E.A6.40.21	END, PLUG, RADIUS ROD, ASSEMBLY Spares for:-	1	-	B	7/7
187	E.A1.40.363	BUSH, bearing	2	DTD.197	C	7/8
28N/9156370	SP.21	NIPPLE, lubricating	1	-	C	7/9

**UNDERCARRIAGE
NOSEWHEEL**

Ref. No.	Part No.	Description	No. off	Mati. Spec.	Cl. of Equip.	Plate No.
					M.R. L.M.	
		1 2 3 4 5 6				
4937	E.A1.40.311	FINGER, operating, undercarriage "up" micro switch	1	L.40	C	7/10
		Attaching parts for E.A1.40.311:-				
4447	E.A1.40.321	Bolt, bearing, for micro switch operating finger	1	DTD.126A	C	7/12
28M/9436836	AGS.2001/C/2	Nut, 2 BA	1	-	C	7/13
28W/9419402	SP.13/C	Washer	1	-	C	7/14
1884	E.A6.40.29 ✓	FORK, strut end	1	DTD.683	C	7/15
3656	E.A3.40.73 ✓	HOUSING, spring locking plunger	1	L.40	C	7/16
		Attaching parts for E.A3.40.73:-				
28D/1011240	A25/E5	Bolt, ½" BSF	4	-	C	7/17
28W/9416644	SP.47/E	Washer, ½" BSF	4	-	C	7/18
41255	E.A9.40.49 ✓	LEVER, LOCKING, NOSEWHEEL UNDER-CARRIAGE, ASSEMBLY	1	-	B	7/19
		Spares for:-				
190	E.A1.40.337 ✓	BUSH, bearing	2	DTD.197	C	7/20
28N/9156370	SP.21	NIPPLE, lubricating	1	-	C	7/21
192	E.A1.40.339	ROLLER, assembly	1	-	C	7/22
		Attaching parts for E.A1.40.339:-				
188	E.A1.40.343	Bolt	1	S.11	C	7/23
28M/1011467	A27/ES	Nut, ½" BSF	1	-	C	7/24
28P/1007741	SP.9/C8	Pin, split	1	-	C	7/25
28W/9419405	SP.15/E	Washer	1	-	C	7/26
191	E.A1.40.341 ✓	ROLLER, assembly	1	-	C	7/27
		Attaching parts for E.A1.40.341:-				
189	E.A1.40.345 ✓	Bolt	1	S.11	C	7/28
28M/1011467	A27/ES	Nut, ½" BSF	1	-	C	7/29
28P/1007741	SP.9/C8	Pin, split	1	-	C	7/30
28W/9419405	SP.16/E	Washer	1	-	C	
		Attaching parts for E.A9.40.49:-				
34309	E.A9.40.47 ✓	Bolt, operating lever bearing	1	S.96	C	7/32
28M/1011478	A27/JS	Nut, 3/8" BSF	1	-	C	7/33
203	E.A1.40.327	Washer, at operating lever bearing	1	DTD.126A	C	7/35
1889	E.A6.40.23 ✓	LINK, STAY, NOSEWHEEL UNDERCARRIAGE AT RADIUS ROD, ASSEMBLY	1	-	C	7/36
		Spares for:-				
194	E.A1.40.359 ✓	BUSH, bearing	2	DTD.197	C	7/37
195	E.A1.40.381 ✓	BUSH, bearing	2	DTD.197	C	7/38
28N/9156370	SP.21 ✓	NIPPLE, lubricating	2	-	C	7/39
		Attaching parts for E.A6.40.23:-				
184	E.A1.40.681 ✓	Bolt, connecting radius rod and stay link	1	S.11	C	7/40
170	E.A1.40.683	Bolt, connecting stay link and undercarriage leg	1	S.11	C	7/71
28M/9129449	A27/LS	Nut, 7/16" BSF	2	-	C	7/41
28S/9146378	A35/C8	Screw, 2 BA	1	-	C	7/43
202	E.A1.40.325	Washer, cap	2	DTD.126A	C	7/44
28W/9416643	SP.47/C	Washer, spring	1	-	C	7/45
28N/9156370	SP.21	NIPPLE, lubricating	1	-	C	
1100	EEAS.37/24A	NIPPLE, ½"	24	-	C	7/47

**UNDERCARRIAGE
NOSEWHEEL**

Ref. No.	Part No.	Description	No. off	Mati. Spec.	Cl. of Equip.	Plate No.
					M.R. L.M.	
		1 2 3 4 5 6				
6187	E.A1.40.415 ✓	PAD, switch, undercarriage "Down" Micro switch Attaching parts for E.A1.40.415:-	1	L.40	C	7/48
28D/9133012	A25/3C	Bolt, 2 BA	3	-	C	7/48
28W/9416643	SP.47/C	Washer, spring	3	-	C	7/50
3659	E.A3.40.75 ✓	PIN, latch	1	S.11	C	7/51
197	E.A1.40.277 ✓	PLATE, stop stay link Attaching parts for E.A1.40.277:-	1	S.11	C	7/52
28D/1011240	A25/5E	Bolt, 1/4" BSF	2	-	C	7/53
28W/9416644	SP.47/E	Washer	2	-	C	7/54
3657	E.A3.40.67 ✓	SCREW, cap retaining undercarriage locking plunger	1	L.40	C	7/55
3660	E.A3.40.71 ✓	SCREW, grub latch pin and bush retaining	1	S.97	C	7/56
199	E.A1.40.431	SPINDLE, hook latch nosewheel undercarriage stay Attaching parts for E.A1.40.431	1	S.11	C	7/58
28N/2001540	AGS.2031/4	Circlip, "Seeger" external, 3/16" dia for undercarriage hook latch spindle	2	-	C	7/59
	E.A1.40.309	Tube, distance	1	-	-	7/60
	EEAS.38/4A	SPOKE, 1/4" BSF (Make from 28R/6330)	12	S.11	LM	7/61
3658	E.A3.40.69 ✓	SPRING, compression operating locking plunger, 14 SWG	1	Spring Wire	C	7/62
201	E.A1.40.313 ✓	SPRING, leaf, for micro switch operating finger	1	Spring Steel	C	7/63
5CW/4638	†	SWITCH, micro undercarriage "Up" type 1A (Pre-Mod. 4080)	1	-	B	7/64
5CW/1085884	†	SWITCH, micro undercarriage "Up" type 1HY1 (Mod. 4080) Attaching parts for Ref. 5CW/4638 and 5CW/1085884:-	1	-	B	7/64
28D/1011011	A25/8B	Bolt, 4 BA	2	-	C	7/65
28M/1278189	AGS.2001/b/1	Nut, 4 BA	2	-	C	7/67
28W/9419474	SP.15/B	Washer	2	-	C	7/68
5CW/4639	†	SWITCH, micro, undercarriage "Down", type 4A (Pre-Mod. 4080)	1	-	B	7/64
5CW/1085884	†	SWITCH, micro, undercarriage "Down", type 1HY1 (Mod. 4080) Attaching parts for Ref. 5CW/4639 and 5CW/1085884:-	1	-	B	7/64
28D/1214303	AS.1242/10B	Bolt, 4 BA	2	-	C	7/65
28M/1278189	AGS.2001/B/1	Nut, 4 BA	2	-	C	7/67
28W/1278189	SP.15/B	Washer	2	-	C	7/68
1895	E.A6.40.27	TUBE, strut, nose, undercarriage Attaching parts for E.A6.40.37:-	1	T.60	C	7/69
161	E.A1.40.451	Bolt, c/w spoke and nut, radius rod strut bearing	1	-	C	7/70
28M/9129449	A27/LS	Nut, 7/16" BSF	1	-	C	7/72
181	E.A1.40.449	Pin, strut, pivot radius rod bearing	1	S.65	C	7/73
202	E.A1.40.325	Washer	2	DTD.226A	C	7/76

UNDERCARRIAGE
NOSEWHEEL

Ref. No.	Part No.	Description	No. off	Matl. Spec.	Cl. of Equip.		Plate No.
					M.H.	L.M.	
		1 2 3 4 5 6					
3748	E.A1.40.455	SCREW, grub 2 BA strut bearing retaining	1	S.11	C/MR		5/33
343	E.A1.31.277	SHIM	2	-	C		6/66
	or						
4141	EEAS.27/8/4	SHIM	2	-	C		6/67
204	E.A1.45.989	SPRING, return undercarriage hook, 14 SWG	1	Spring Steel	C		5/34
205	E.A1.40.599	SPRING, tension, undercarriage sequence	1	Spring Steel	C		6/68
	E.A1.40.601	valve, 18 SWG	1	S.11	C/MR		5/35
1587	E.A1.40.719	SPRING, forward door latch	2				
4693	E.A3.40.157	STOP, door jack extension	1	-	C		5/36
		Attaching parts for E.A3.40.157:-					
		Nut, 1/2" BSF	1	S.11	C		5/38
28M/1011467	A27/ES		1				
		STOP, sequence valve lifter	1	-	C		5/39
992	E.A1.40.701	Attaching parts for E.A1.40.701:-					
		Washer	1	-	C		6/69
28W/9419475	SP.15/C		1				
		TAPPET, front latch lever	1	-	C		6/70
39182	E.A9.40.37	Attaching parts for E.A9.40.37:-					
		Nut, 2 BA	1	MS.	C		
28M/1006473	A27/CT		1				
		TUBE, distance	2	-	A		6/71
3755	E.A1.40.731		2				
27A/2655	DUNLOP	TUBE	2	-	A		6/72
	KK.2						
27A/2654	DUNLOP	TYRE, 26" x 6.5" x 14"	2	-			6/72
	DR.2655						
	or						
	DUNLOP	TYRE, 26" x 6.5" x 14"	2	-	A		6/72
	KKEN.144						
	or						
27A/4683	GOODYEAR	TYRE, 26" x 6.5" x 14"	2	-	A		6/72
	GA.1202						
	or						
27A/4683	FIRESTONE	TYRE, 26" x 6.5" x 14"	2	-	A		6/72
	ZA.297						
	DOWTY		1	-	A		6/73
27Q/1446377	2.00396.039	UNIT, undercarriage (For spares see	2				
		AP.4515B, Vol. 3, Pt. 1) (Mod. 4451)					
		WASHER, special packing, undercarriage	2	DTD.683	C		5/40
3752	E.A1.40.587	sequence valve, mounting bolt	1	DTD.124	C		5/41
1877	EEAS.28/30.EU	WASHER, special, 18 SWG	1				
	DUNLOP		2	-	A		6/72
27A/2814	AH.9590	WHEEL, landing					

This file was downloaded
from the RTFM Library.

Link: www.scottbouch.com/rtfm

Please see site for usage terms,
and more aircraft documents.

