

FUSELAGE—CENTRE PORTION

Ref. No.	Part No.	Description	No. Off					Material Specification	M.R. Class of Store	Place No.
			1	2	3	4	5			
	C.231039 E.200100 D.179303	CENTRE FUSELAGE STRUCTURE, ASSEMBLY								
		ATTACHMENT OF STRINGERS FROM NOSE SPAR TO FRAME 20, ASSEMBLY								
960	F.184105	Bolt, special, at stringers "C" and "H" ...	2				S.95.B	C.	JB.3	
	STD 1551/3/125	Bolt, special, at stringers "C" and "H" ...	8				S.99.B			
	STD 1551/3/105	Bolt, special, at stringers "C" and "H" ...	4				S.99.B	MR/C		
	A.178936	Fitting, attachment, at stringers "C" and "H" ...	4				S.99.B			
963	F.170740	Nut, special, at stringers "C" and "H" ...	4				S.99.B	C.	JB.3	
	STD 1718/3	Nut, special ...	12				S.95.B	MR/C		
962	A.178929	Spigot, at stringers "C" and "H" ...	4				S.96.B	C.	JB.3	
961	F.184104	Tab, locking, at stringers "C" and "H" ...	4				S.3	C.	JB.3	
	F.178931	Tube, distance, at stringers "C" and "H" ...	2				DTD.364			
	STD 1208/62/24/20	Washer, shim ...	QR				—	MR/C		
	D.179304	ATTACHMENT OF STRINGERS AT FRAME 21 TO MAIN SPAR, ASSEMBLY								
2418	F.178919	Angle, fitting, at stringer "K" ...	4				Stamping	MR/C	JB.4	
2419	F.178920	Angle, fitting, at stringer "K" ...	4				Stamping	MR/C	JB.4	
	STD 1553/E/65	Bolt, special, at stringer "K" ...	8				S.99.B	MR/C	JB.4	
	STD 1553/E/55	Bolt, special, at stringer "K" ...	4				S.99.B	MR/C	JB.4	
2420	B.182214	Fitting, for aircraft slinging bolt ...	2				Stamping	MR/C	JB.2	
	D.200910	ATTACHMENT OF STRINGERS AT MAIN SPAR TO FRAME 26, ASSEMBLY								
2421	A.179650	Angle, fitting, at stringer "K" main spar ...	4				Stamping	MR/C	JB.4	
2422	A.178809	Angle, fitting, at stringer "K" main spar ...	4				Stamping	MR/C	JB.4	
	STD 1553/J/390	Bolt, at stringer "K" main spar ...	4				S.99.B	MR/C	JB.4	
2423	F.179742	Tube, distance, at stringer "K" main spar ...	4				DTD.364	MR/C	JB.4	
	STD 1547/26/12	Washer, profile, at stringer "J" main spar ...	4				DTD.610	MR/C	JB.4	
	D.200912	ATTACHMENT OF STRINGERS AT REAR SPAR TO FRAME 31, ASSEMBLY								
	STD 1553/L/320	Bolt, at stringer "K" rear spar ...	4				S.99.B	MR/C	JB.4	
	STD 1551/2/85	Bolt, at stringer "K" rear spar ...	8				S.99.B	MR/C	JB.4	
	STD 1551/3/105	Bolt, at stringer "K" rear spar ...	8				S.99.B	MR/C	JB.4	
	STD 1553/J/300	Bolt, at stringer "J" rear spar ...	4				S.99.B	MR/C	JB.4	
2424	A.178816	Fitting, attachment, at stringer "K" rear spar ...	4				Stamping	MR/C	JB.4	
2425	A.168436	Fitting, attachment, at stringer "J" rear spar ...	4				Stamping	MR/C	JB.4	
	STD 1718/2	Nut, special, at stringer "K" rear spar ...	8				S.95.B	MR/C	JB.4	
	STD 1718/3	Nut, special, at stringer "K" rear spar ...	8				S.95.B	MR/C	JB.4	
2427	F.178881	Tube, distance, at stringer "K" rear spar ...	4				DTD.364	MR/C	JB.4	
2426	F.178865	Tube, distance, at stringer "J" rear spar ...	4				DTD.364	MR/C	JB.4	
	STD 1208/51/24/20	Washer, shim at stringer "K" rear spar ...	QR				—	MR/C	JB.4	
	STD 1208/62/28/20	Washer, shim, at stringer "K" rear spar ...	QR				—	MR/C	JB.4	
	D.200727	ATTACHMENT OF STRINGERS AT FRAMES 22, 24, 33, 35 AND 36, ASSEMBLY								
7266	F.200577	Bracket, support, at stringer "K," port, frame 35	1				DTD.610	MR/C		
7267	F.200578	Bracket, support at stringer "K," starboard, frame 35					DTD.610	MR/C		
	STD 1335/E/18	Washer ...	4				L4	C.	4	
	F+W Pkt. 271	Sicherungsplatte	2						JB.1	
	Ae.A.856	Anschlag	2						JB.1	
	AGS 2001/B2	Sich.-Mutter	4						JB.1	
	SP 24/B	U-Scheibe	4						JB.1	
	6F-F+W-515306-2	Hissoese (Anzugsmoment auf Zchg. beachten)	2						JB.1	
	6F-F+W-515409	Fölienscheibe	6						JB.1	
	6F-F+W-515306-B2	Uebersmass-Hissoese (Flz J-4010)	1							

FUSELAGE—CENTRE PORTION

Ref. No.	Part No.	Description	No. Off					Material Specification	M.R. Class of Store	Plate No.
			1	2	3	4	5			
	D.200628	BRACKET, FOR FLYING CONTROLS, FRAMES 27 TO 29, ASSEMBLY								
	B.200630	Bracket, port, group					1	L.72		
	B.200631	Bracket, starboard, group					1	L.72		
	F.200632	Packing, port					1	L.72		
	F.200633	Packing, starboard					1	L.72		
	F.200636	Packing, port					1	L.72		
	F.200637	Packing, starboard					1	L.72		
7268	F.200634	Plate, nut, port					1	S.3	MR/C	
7269	F.200635	Plate, nut, starboard					1	S.3	MR/C	
	A.227757	Plate, reinforcing					2	—		
	D.184002	BRACKET, FOR FLYING CONTROLS, FRAMES 23 TO 24, ASSEMBLY								
	B.184003	Bracket, port					1	DTD.610		
	B.184004	Bracket, starboard					1	DTD.610		
2430	F.184005	Plate, nut					2	DTD.610	MR/C	
	C.203456-7	BRACKET, FOR FORWARD ENGINE MOUNTING, ASSEMBLY								
	B.203458	Diaphragm, outboard, port					1	L.72		
	B.203459	Diaphragm, outboard, starboard					1	L.72		
	B.203460	Diaphragm, inboard, port					1	L.72		
	B.203461	Diaphragm, inboard, starboard					1	L.72		
	B.201604	BRACKET, MOUNTING FOR AIR SUPPLY VALVE, ASSEMBLY					1	—		
7270	B.201603	Bracket					1	L.72	MR/C JB.3	
	A.203695	BRACKET, MOUNTING FOR ROTOL FLOW PROPORTIONER, ASSEMBLY					1	—		
7271	A.203394	Bracket					1	L.72	MR/C JB.6	
7272	A.203395	Bracket					1	L.72	MR/C JB.6	
	C.210539	BRACKET, MOUNTING FOR THROTTLE CONTROL LINKAGE, ASSEMBLY					1	—		
7273	F.210881	Angle, at upper mounting bracket					1	L.72	MR/C	
7274	F.210800	Bracket, mounting, lower, group					1	—	MR/C JB.6	
7275	F.209977	Spigot					1	S.95.B	MR/C JB.6	
7276	B.210540	Bracket, mounting, upper, for lever, group					2	L.72	MR/B JB.6	
	A.209978	Spigot					1	DTD.364 & S.95.B		
	STD 1509/2/086	Tube, distance, 1/4" o/d x 22 S.W.G. x 0.86" long					2	T.4		
	B.210541	Plate, stiffening, for upper mounting bracket					1	L.72		
	D.232479	DOORS AND ACCESS PANELS, ASSEMBLY								
4633	F.197909	Bolt, for access panels... ..					54	S.95	C.	
	STD 1700/4/E	Bolt, attaching fuel system access panel					12	—	C. 5	
8341	D.217495	Door, access to gear box, group (Mod. 425)					1	—	B. JB.1	
	D.217495/3	Hinge					1	DTD.166		
965	King C.3099	Toggle, housing					2	—	C. JB.5	
F+W Pkt. 112	A.236262	Verstärkungsblech					1			
	SK.27990/1	Aussteifungsprofil					1			
	SK.27990/2	Auffüllblech					1			
	F.236261	Ablasseckel					1			
	STD 1231/8/B	Sicherungsflasche					1			

FUSELAGE-CENTRE PORTION

Ref. No.	Part No.	Description	No. Off	Material Specification	M.R. Class of Store	Plate No.
4844	D.235527	Door, access to engine starter, group (Mod. 2400)	1	—	A.	JB.5
	F.203030	Angle, for spring clip	1	LA	MR/C	JB.5
	AS 2295/1	Federklammer	1	—	—	JB.5
	F.201721	Channel	1	L.72	—	—
	981 A.188500	Hinge	1	DTD.166	C.	JB.5
	9361 B.235599	Lid, aerial box (Mod. 2400)	1	—	B.	JB.5
	F.235985	Ring, sealing (Mod. 2400)	1	—	—	—
	4599 A.236622	Stay, support (Mod. 2400)	1	L.72	C.	JB.5
	(6F-BAMP-A-12058-P1	Flammschutzblech	1	—	—	—
	(6F-BAMP-A-12058-P2	Flammschutzblech	1	—	—	—
Ae.A.Hu; (VN 436	Splintbolzen 4 x 9	1	—	—	—	
FT-604 (NB 1152	U-Scheibe 4,3/10	2	380,51	—	—	
(VSM 12760/DIN 94	Splint 1,5 x 8	1	—	—	—	
Ae - 1/78 (NB 1073	Fr.-Niet 3 x 8	2	742,4	—	—	
965 King-C.3099	Toggle, housing	2	—	C.	JB.5	
Ae.A.Hu-FT-604	Oddie-No. 219	Washer	2	—	C.	—
	6F-BAMP-A-12060	Abdeckblech	1	—	—	—
6670	D.201293	Door, access to gearbox turret, group	1	DTD.610	A.	JB.1
7592	B.201297	Duct, cooling	3	DTD.213	MR/C	JB.5
966	A.188142	Hinge	1	DTD.166	C.	JB.5
	F.201299	Plate, support	3	DTD.610	—	—
965	King-C.3099	Toggle, housing	2	—	C.	JB.5
6671	B.200546	Panel, access to cold air unit	2	—	B.	JB.1
6672	B.201114	Panel, access to gear box drive	1	L.72	B.	JB.1
6673	B.201332	Panel, access to air supply	2	L.72	B.	JB.1
6317	C.213475	Panel, access to fuel pump	1	DTD.610	A.	JB.1
9084	C.221459	Panel, access to fuel system, group (Mod. 545)	1	L.72	A.	JB.1
4448	F.199061	Cover, for pitot drain valve	2	—	MR/C	JB.1
	F.236261	Door, for drain (AS.860/52)	1	L.72	—	JB.1
6674	A.205589	Panel, access to R.P.M. adjustment and fuel pump governor bleed	1	L.72	B.	JB.5
6675	A.201229	Panel, access to slow running adjustment	1	DTD.610	B.	JB.1
8185	A.216185	Panel, access to fuel filter cover (Mod. 491)	1	L.72	B.	JB.5
6677	B.200823	Panel, access to front engine mounting	2	L.72	B.	JB.1
969	B.179779	Panel, access to fuel vent connections	2	DTD.610	C.	JB.1
970	B.179777	Panel, access to fuel level switches	2	DTD.610	C.	JB.1
6678	B.200462	Panel, access to gearbox filler	1	L.72	B.	JB.1
6679	B.201069	Panel, access to hydraulic reservoir, group	1	—	B.	JB.5
	EF5/45B	Fastener	3	—	C.	—
6680	A.200259	Panel, access to igniter plug	2	DTD.610	B.	JB.1
6681	A.201707	Panel, access to liquid starter filler, group	1	L.72	B.	JB.1
	EF5-45B	Fastener	1	—	C.	—
6682	A.203667	Panel, access to oil level sighting group	1	L.72	B.	JB.5
	EF5-45B	Fastener	1	—	C.	—
6683	A.201362	Panel, access to starter equipment	2	L.72	B.	JB.1
	E.232364	Panel, access to engine, group	1	—	A.	JB.5
	F.219432	Clamp, cable, group (Mod. 588)	1	—	—	—
	F.219447	Block, clamp	2	LFS.21	—	—
	F.219433	Stud, anchor	1	—	—	—
	Terry-80X/2	Clip, for hand stowage	2	—	C.	—
984	B.188540	Hook, securing panel to fuselage	2	Stamping	C.	JB.5
9362	B.222506	Lid, for aerial box (Mod. 588)	1	DTD.610	C.	JB.5
4737	F.197737	Plate, retaining "Terry" Clips	2	DTD.610	C.	JB.5
965	King-C.3099	Toggle, housing	2	—	C.	JB.5
	STD 1507/23/080	Tube, distance, $\frac{1}{8}$ " o/d. x 17 SW.G. x 0-8" long (Make from 30A/975)	4	T.26	MR/C	4
	STD 1507/23/060	Tube, distance, $\frac{1}{8}$ " o/d. x 17 S.W.G. x 0-6" long (Make from 30A/975)	2	T.26	MR/C	4

FUSELAGE—CENTRE PORTION

Ref. No.	Part No.	Description					No. Off	Material Specification	M.R. Class of Store	Plate No.
		1	2	3	4	5				
F-4W Pkt. 164	5269	Fairey-FS.553								
		F.216608								JB.5
		AS 156/404								
		AS 156/405								
		D.184913								
	2434	C.184973								
	2435	C.184974								
		C.225951								
	7278	C.201507								
	2438	B.184977								
	2439	B.184978								
		S5-325								
	1754	B.193293								
	5269	Fairey FS.553								
		D.226452								
	6196	C.211693								
	6197	C.211694								
	7845†	C.213452								
		EP5-45B								
	7279	C.200827								
	7280	C.200828								
		C.188170								
		STD 840/20								
	2440	C.188170/1								
	2441	C.188170/2								
	2442	C.188170/3								
		D.202624								
	7281	A.204845								
	7282	A.204846								
	7283	A.202625								
	7284	B.203191								
	7285	B.202626								
	7286	B.202627								
		B.195155-6								
		F.195157								
		B.203819								
	7287	A.203081								
	7288	A.203082								

† For details see Piping Chart

FUSELAGE—CENTRE PORTION

Ref. No.	Part No.	Description	No. Off					Material Specification	M.R. Class of Store	Plate No.
			1	2	3	4	5			
	F-231725	Eyebolt, slinging (Anzugsmoment auf Zchg. beachten)						S.98.B		JB.1
	F-230660	Shim								JB.1
	D.176274	Frame 18B, top portion						DTD.364		
2443	D.176275	Frame 18B, lower portion, port						DTD.364	MR/B	JB.3
2444	D.176276	Frame 18B, lower portion, starboard						DTD.364	MR/B	JB.3
	E.179358	Frame 19, nose spar, group						—		
2446	A.181165	Angle, support, at bottom diaphragm, port ...						DTD.610	MR/C	JB.7
2445	A.181166	Angle, support, at bottom diaphragm, starboard...						DTD.610	MR/C	JB.7
7289	A.202682	Angle, support, for junction box mounting ...						L.72	MR/C	JB.7
	A.181153	Angle, bottom, for skin attachment, port ...						DTD.610		
	A.181154	Angle, bottom, for skin attachment, starboard ...						DTD.610		
4694	A.195545	Angle, support, at bottom diaphragm						DTD.610	MR/C	JB.7
	B.181157	Angle, front, at bottom boom attachment, port...						DTD.610		
	B.181158	Angle, front, at bottom boom attachment, starboard						DTD.610		
2447	C.181163	Angle, lower, for tank skin attachment, port ...						DTD.610	MR/C	JB.7
2448	C.181164	Angle, lower, for tank, skin attachment, starboard						DTD.610	MR/C	JB.7
2449	F.182169	Angle, for stringer attachment, port						DTD.610	MR/C	JB.7
2450	F.182170	Angle, for stringer attachment, starboard ...						DTD.610	MR/C	JB.7
4695	F.197436	Angle, bracket, securing gun heating pipe ...						DTD.610	MR/C	JB.7
2451	F.182166	Bolt, at bottom boom joint						S.2	MR/C	JB.3
2452	F.187392	Bracket, at bottom diaphragm						DTD.610	MR/C	JB.3
2453	F.187393	Bracket, at bottom diaphragm						DTD.610	MR/C	JB.3
2454	F.187395	Bracket, at bottom stiffener						DTD.610	MR/C	JB.3
2455	F.187397	Bracket, at bottom diaphragm						DTD.610	MR/C	JB.3
2456	F.187396	Channel, at bottom stiffener						DTD.610	MR/C	JB.7
2457	A.181119	Channel, at bottom diaphragm						DTD.610	MR/C	JB.7
2459	A.181145	Channel, reinforcing, bottom, port						DTD.610	MR/C	JB.7
2460	A.181146	Channel, reinforcing, bottom, starboard						DTD.610	MR/C	JB.7
2461	B.181112	Channel, cross at bottom diaphragm						DTD.610	MR/C	JB.7
2462	A.181120	Channel, at bottom diaphragm						DTD.610	MR/C	JB.7
2463	B.181115	Channel, lower, inner, port						DTD.610	MR/C	JB.7
2464	B.181116	Channel, lower, inner, starboard						DTD.610	MR/C	JB.7
2458	A.181121	Channel, lower, outer						DTD.610	MR/C	JB.7
8230	D.216907	Diaphragm, bottom, front						DTD.610	MR/C	JB.7
2467	D.181102	Diaphragm, bottom, rear						DTD.610	MR/C	JB.7
	A.224939	Extractor, air (Mod. 682)						—		
	B.181141	Finisher, bottom, at tank door landing, port ...						DTD.364		
	B.181142	Finisher, bottom, at tank door landing, starboard						DTD.364		
2468	B.181167	Landing, for fuel pump access door						DTD.610	MR/C	JB.7
	B.181133	Landing, bottom, for tank door						DTD.364		
	C.181123	Plate, reinforcing, front, at lower boom joint, port						DTD.166		
	C.181124	Plate, reinforcing, front, at lower boom joint, starboard						DTD.166		
	C.181125	Plate, reinforcing, rear, at lower boom joint, port						DTD.166		
	C.181126	Plate, reinforcing, rear at lower boom joint, starboard						DTD.166		
2469	B.181106	Stiffener, bottom						DTD.610	MR/C	JB.7
	C.181198	Spigot, fitting, port						Stamping		JB.2
	C.181199	Spigot, fitting, starboard						Stamping		JB.2
2473	B.181160	Strap, at bottom diaphragm						DTD.610	MR/C	JB.7
2471	A.182167	Strip, fairing, at bottom boom attachment, port						DTD.364	MR/C	JB.7
2472	A.182168	Strip, fairing, at bottom boom attachment, starboard						DTD.364	MR/C	JB.7
2470	F.178982	Stud, for fairlead						S.1 & S.3	MR/C	JP
	6F-F+W-804572	Rahmen kompl.								JB.5
	VN 406	Sk.-Niet 4x10, 120°						742.4		
	6F-F+W-708168	Handlochdeckel kompl.								JB.5
	AS 1242/1C	Sk.-Schraube								

Ae.A. Hu444

FUSELAGE—CENTRE PORTION

Ref. No.	Part No.	Description	No. Off	Material Specification	M.R. Class of Store	Place No.
—	STD 1509/24/09B	Tube, distance, $\frac{3}{8}$ " x 17 S.W.G. x 0.98" long ... (Make up from 30B/557)	2	T.4	—	
—	STD 1509/24/104	Tube, distance, $\frac{3}{8}$ " x 17 S.W.G. x 1.04" long ... (Make up from 30B/557)	1	T.4	—	
	STD 1549/28/10	Washer, packing	2	DTD.610		
	D.178147	Frame 20, group	1	—		
	A.177464	Angle, port	2	DTD.364		
	A.177465	Angle, starboard	2	DTD.364		
2474	F.177466	Block, distance	2	L.F.S.	MR/C	JB.7
2475	D.178147/4	Bottom, portion	1	DTD.610	MR/C	JB.7
2476	D.178147/5	Bottom, portion	1	DTD.610	MR/C	JB.7
2477	D.178147/6	Channel	2	DTD.610	MR/C	JB.7
2478	D.178147/7	Plate, doubling	2	DTD.610	MR/C	JB.7
7290	C.204274	Frame 21, group	1	—	MR/B	JB.7
2479	D.177457/4	Angle, port	1	DTD.610	MR/C	JB.7
2480	D.177457/5	Angle, starboard	1	DTD.610	MR/C	JB.7
2481	D.177457/7	Angle, bottom (Supplied D.177457/6 for Spares)	1	DTD.610	MR/C	JB.7
2482	D.177457/8	Angle	1	DTD.610	MR/C	JB.7
	F.179022	Angle, forward, starboard	1	DTD.610		
	F.179023	Angle, forward, port	1	DTD.610		
	F.179024	Angle, aft	2	DTD.610		
	F.194337	Angle, support	1	DTD.610		
	F.181825	Angle, support, at bottom centre of frame	1	DTD.610		
7291	F.203391	Bracket, mounting, for flow proportioner	1	L.72	MR/C	
2484	D.177457/2	Diaphragm, bottom, port	1	DTD.610	MR/C	JB.7
2485	D.177457/3	Diaphragm, bottom, starboard	1	DTD.610	MR/C	JB.7
4696	C.186837	Plate, reinforcing	1	DTD.166	MR/C	JB.7
2486	B.178914	Stiffener, front	1	DTD.610	MR/C	JB.7
2487	B.178915	Stiffener, rear	1	DTD.610	MR/C	JB.7
	E.199350	Frame 22, group	1	—		
4699	F.195550	Angle, for attaching hydraulic pipes	1	DTD.610	MR/C	JB.7
7292	F.203390	Bracket, mounting, for fuel flow proportioner	1	L.72	MR/C	JB.7
4901	B.177902	Channel	2	DTD.610	MR/C	JB.7
7293	E.199350/1	Diaphragm, bottom portion	1	DTD.610	MR/C	JB.7
	B.213359	Fitting, for bridge piece	1	S.96		
	B.212948	Piece, bridge, front	1	DTD.166		
	B.212949	Piece, bridge, rear	1	DTD.166		
2489	A.178505	Piece, distance	2	L.F.S.	MR/C	JB.7
	F.199348	Piece, reinforcing, outboard	1	DTD.166		
	F.199349	Piece, reinforcing, inboard	1	DTD.166		
7294	C.199351	Plate, reinforcing	1	DTD.610	MR/C	JB.7
	C.204275	Frame 23, group	1	—		
4700	F.195241	Angle, for attaching hydraulic pipes	1	DTD.610	MR/C	JB.7
7295	F.203388	Bracket, at lower portion of frame	1	L.65.C	MR/C	
7296	F.214242	Bracket, at lower portion of frame	1	L.72	MR/C	JB.7
2491	B.177903	Channel	2	DTD.610	MR/C	JB.7
2492	E.177459/4	Diaphragm, bottom portion	1	DTD.610	MR/C	JB.7
2493	A.178546	Piece, distance	2	L.F.S.	MR/C	JB.7
7297	B.211291	Plate, reinforcing	1	L.72	MR/C	JB.7

FUSELAGE—CENTRE PORTION

Ref. No.	Part No.	Description	No. Off					Material Specification	M.R. Class of Store	Place No.
			1	2	3	4	5			
	E.177460	Frame 24, group								
2495	E.177460/4	Diaphragm, bottom portion, port					1	—		
2496	E.177460/5	Diaphragm, bottom portion, starboard					1	DTD.610	MR/C	JB.7
	D.201499	Frame 25, main spar, group								
2497	D.177970	Angle, for tank support skin, port					1	—		
2498	D.177971	Angle, for tank support skin, starboard					1	DTD.610	MR/C	JB.8
	D.177968	Angle, for tank support skin, port					1	DTD.610		
	D.177969	Angle, for tank support skin, starboard					1	DTD.610		
2499	D.177961	Angle, bottom, for tank support skin					1	DTD.610	MR/C	JB.8
2500	D.177959	Angle, centre, for tank support skin, port					1	DTD.610	MR/C	JB.8
7298	B.203168	Angle, at bottom portion of frame					1	DTD.610	MR/C	JB.8
2501	D.177960	Angle, centre, for tank support skin, starboard					1	DTD.610	MR/C	JB.8
4703	F.195554	Angle, at bottom portion of frame					1	DTD.610	MR/C	
7299	F.202234	Angle, mounting, for starter tank					1	DTD.364	MR/C	JB.8
2502	D.177182	Boom, bottom, front					1	DTD.364	MR/C	JB.8
2503	D.177188	Boom, bottom, rear					1	DTD.364	MR/C	JB.8
	Std 1551/8/310	Bolt, fork fitting					8	S.99.B	MR/C	
	Std 1551/8/315	Bolt, fork fitting					4	S.99.B	MR/C	5
	Std 1639/7/N	Bolt, for fork fitting					8	S.2 or S.11	MR/C	5
6684	A.206824	Bracket, mounting for solenoid switch, starboard only					1	L.72	C.	JB.8
7301	F.203167	Bracket, attachment, on lower portion of frame					1	L.72	MR/C	
5723	F.177893	Bracket, for attaching stringers					4	DTD.610	MR/C	JB.8
5724	F.177894	Bracket, for attaching stringers					4	DTD.610	MR/C	JB.8
2504	A.177433	Channel, centre, at lower portion of frame					2	DTD.610	MR/C	JB.8
4704	A.177432	Channel, mounting, for JB.1					1	DTD.610	MR/C	JB.8
2505	A.177432	Channel, mounting, at lower portion of frame					2	DTD.610	MR/C	JB.8
4705	F.193327	Channel, mounting, for JB.1					1	DTD.610	MR/C	JB.8
2506	A.177434	Channel, inner, at lower portion of frame					1	DTD.610	MR/C	JB.8
2507	B.177191	Channel, at bottom centre of frame					2	DTD.610	MR/C	JB.8
	Terry-80/000	Clip, for cable					1	—	C.	
	Terry-80X/2	Clip, for cable					3	—	C.	
	Terry-80/4	Clip, for cable					2	—	C.	
	Terry-80/5	Clip, for cable					1	—	C.	
	C.202974	Crate, mounting, for fire extinguisher					1	L.72 and 1/8" Felt		
	D.177178	Fork, fitting, top port, bottom, starboard					2	Stamping		
	D.177179	Fork, fitting, top starboard, bottom port					2	Stamping		
	E.177177	Member, cross, for hinge fitting attachment					2	Stamping		
	Std 1718/8	Nut, for fork fitting					12	S.1	MR/C	5
4706	F.193436	Packing, at mounting channel, for JB.1					1	DTD.610	MR/C	
	A.177710	Piece, packing, at lower portion of frame					2	DTD.610		
4437	B.198018	Plate, reinforcing, at bottom rear of frame					2	DTD.610	MR/C	JB.8
4033	B.177184	Plate, reinforcing, at bottom forward of frame, starboard					1	DTD.546	MR/C	JB.8
2509	B.177185	Plate, reinforcing, at bottom forward of frame, port					1	DTD.546	MR/C	JB.8
	F.197529	Plate, retaining, for cable clip					1	L.72		
	F.197530	Plate, retaining, for cable clip					3	L.72		
	F.200190	Plate, retaining, for cable clip					6	L.72		
	Std 1687/2	Saddle					1	—	C.	
2510	D.177180	Web, forward					1	DTD.610	MR/C	JB.8
7303	D.203045	Web, rear					1	DTD.610	MR/C	JB.8

FUSELAGE—CENTRE PORTION

Ref. No.	Part No.	Description	1 2 3 4 5					No. Off	Material Specification	M.R. Class of Store	Plate No.
			1	2	3	4	5				
	D.200376	Frame 26, group						1	—		
7304	F.209994	Angle, support, at port side of bottom diaphragm						1	L.72	MR/C	
2512	B.178772	Angle, at bottom diaphragm						1	DTD.610	MR/C	JB.8
	C.200383	Angle, for air intake, port						1	DTD.610		
	C.200384	Angle, for air intake, starboard						1	DTD.610		
7305	F.207221	Bracket, support, for cable port side of bottom diaphragm						1	L.72		JB.8
7306	D.200376/2	Diaphragm, bottom						1	DTD.610	MR/C	JB.8
7307	F.210693	Plate, reinforcing, at bottom diaphragm, port						1	L.72	MR/C	
	F.214323	Spool, (Mod. 459)						6	S.1		
7308	B.200377	Stiffener, at bottom diaphragm, port						1	DTD.610	MR/C	JB.8
7309	B.200378	Stiffener, at bottom diaphragm, starboard						1	DTD.610	MR/C	JB.8
	E.200196	Frame 27, group						1	—		
	E.200196/10	Angle, stiffening, at frame centre piece						1	DTD.610		
	E.200196/11	Angle, stiffening, at frame centre piece						1	DTD.610		
7310	E.200196/12	Angle, stiffening, at bottom portion of frame						1	DTD.166	MR/C	JB.8
	F.193853	Angle, for hydraulic pipes						1	DTD.610		
	F.201346	Angle, for hydraulic pipes						1	L.72		
7499	F.201606	Block, mounting, for nut plate, at top of frame						2	L.65.C	MR/C	
7311	F.209301	Catch, at bottom portion of frame						1	L.72	MR/C	
7312	E.200196/4	Diaphragm, bottom						1	L.72	MR/C	JB.8
7500	E.200196/5	Diaphragm, centre						1	L.72	MR/C	JB.8
7313	F.202660	Packing, for anchor nuts at bottom portion of frame						2	L.72	MR/C	
7498	F.209344	Plate, nut, at top of frame						1	S.3	MR/C	
7501	E.200196/6	Ring, air intake, port						1	L.72	MR/C	JB.8
7502	E.200196/7	Ring, air intake, starboard						1	L.72	MR/C	JB.8
7503	A.202588	Ring, retaining, for sealing at centre piece						1	L.72	MR/C	
6685	A.202586	Sealing, at centre piece for engine starter						1	Linatex	C.	JB.8
x →	D.200085	Frame 29, front portion, group						1	—		JB.3
	D.200086	Frame 29, rear portion, group						1	—		
7314	D.200086/7	Angle, port, at bottom portion of frame						1	DTD.610	MR/C	
7315	D.200086/8	Angle, starboard, at bottom portion of frame						1	DTD.610	MR/C	
7316	D.200086/11	Angle, at bottom of frame						1	DTD.610	MR/C	JB.8
7317	D.200085/2	Diaphragm, bottom portion, port						1	DTD.610	MR/C	JB.8
7318	D.200085/3	Diaphragm, bottom portion, starboard						1	DTD.610	MR/C	
7319	D.200086/6	Diaphragm, bottom portion						1	DTD.610	MR/C	JB.8
	E.200087	Frame 30, group						1	—		
7320	A.200714	Angle, support, at bottom portion of frame						1	DTD.610	MR/C	
7321	A.200715	Angle, support, at bottom portion of frame						1	DTD.610	MR/C	
7322	A.200558	Bracket, channel, at bottom, portion of frame						1	DTD.610	MR/C	JB.8
7323	A.200559	Bracket, channel, at bottom portion of frame						1	DTD.166	MR/C	
7324	A.200560	Bracket, channel, at bottom portion of frame						1	DTD.610	MR/C	JB.8
7325	A.202034	Bracket, top, for low pressure cock at bottom portion of frame						1	DTD.610	MR/C	
7326	A.202035	Bracket, bottom, for low pressure cock at bottom portion of frame						1	DTD.610	MR/C	
7327	A.202454	Bracket, mounting, for hydraulic filter (Mod. 545)						1	DTD.610	MR/C	
	E.200087/7	Diaphragm, bottom						1	DTD.610	MR/C	JB.8
6049	F.197018	Mounting, for terminal block						1	DTD.610	MR/C	
	(6P-BAMF-A-12063	Leitungsführung						1	—		
	(AS 2230/304	Sk.-Niet						2	—		
Ae.A.Hu-	(6P-BAMF-A-12059-P5	Verstärkung						1	—		
x FT-604	(NB 1072	RK.-Niet 4x13						6	742.4		
	(AS 2230/507	Sk.-Niet						6	—		

FUSELAGE—CENTRE PORTION

Ref. No.	Part No.	Description					No. Off	Material Specification	M.R. Class of Store	Plate No.
		1	2	3	4	5				
7329	F.200553					Packing, at bottom portion of frame	3	DTD.364	MR/C	
7330	F.200554					Packing, at bottom portion of frame	1	DTD.364	MR/C	
7331	F.200556					Packing, at bottom portion of frame	1	DTD.364	MR/C	
7332	F.200557					Packing, at bottom portion of frame	1	DTD.364	MR/C	
7333	A.203086					Ring, reinforcing, at bottom portion of frame	1	L.72	MR/C	
	Std 1687/2					Saddle, at bottom portion of frame	1	DTD.610	C.	5
7334	B.200551					Stiffener, port side, at bottom portion of frame	1	DTD.610	MR/C	
7335	B.200552					Stiffener, starboard side, at bottom portion of frame	1	DTD.610	MR/C	
	Std.1509/23/085					Tube, distance, at stiffener for hydraulic filter mounting bracket	1	T.4	MR/C	4
	D.200847					Frame 31, group	1	—		
4710	F.177681					Angle	2	DTD.610	C.	JB.8
7336	C.200847/2					Diaphragm, bottom, port	1	L.72	MR/C	JB.8
7337	D.200847/3					Diaphragm, bottom, starboard	1	L.72	MR/C	JB.8
7338	D.200847/4					Stiffener, bottom, port	1	DTD.610	MR/C	
7339	D.200847/5					Stiffener, bottom, starboard	1	DTD.610	MR/C	
	E.200089					Frame 32, rear spar, group	1	—		
	F.226691					Angle, outboard (Mod. 702)	1	S.3	MR	
Ae.A.Hu-FT-653	6F-F+W-709269					Angle, inboard	1			
	F.193853					Angle, at lower portion of frame	1	DTD.610		
	Std 1551/7/265					Bolt, at top fork fitting	2	S.99.B	MR/C	5
	Std 1551/7/260					Bolt, at top and bottom fork fittings	4	S.99.B	MR/C	5
	Std 1551/7/205					Bolt, at top and bottom fork fittings	8	S.99.B	MR/C	5
2547	F.180826					Bolt, special, at bottom fork fittings	2	S.99.B	MR/C	JB.8
2548	B.178955					Boom, forward, bottom outer	1	DTD.364	MR/C	JB.8
2549	B.178956					Boom, rear bottom, outer	1	DTD.364	MR/C	JB.8
2550	D.178943					Boom, rear outer, port	1	DTD.364	MR/C	JB.8
2551	D.178944					Boom, rear outer, starboard... ..	1	DTD.364	MR/C	JB.8
2552	D.178945					Boom, forward, outer, port	1	DTD.364	MR/C	JB.8
2553	D.178946					Boom, forward, outer, starboard	1	DTD.364	MR/C	JB.8
	C.200139					Boom, forward, inner, port	1	DTD.364		
	C.200140					Boom, rear inner, port	1	DTD.364		
	C.200141					Boom, forward, inner, starboard	1	DTD.364		
	C.200142					Boom, rear inner, starboard	1	DTD.364		
	6F-F+W-822499					Zugstab für Flz.-Aufhängung	4			
	B.201363					BRACKET, FOR HYDRAULIC HANDPUMP, ASSEMBLY	—	—		
7340	C.201354					Bracket	1	L.72	MR/C	
	A.212233					Bracket (Mod. 384)	1	L.72		
7342	C.201356					Plate, stiffener, bottom	1	L.72	MR/C	JB.8
7343	C.201355					Plate, stiffener, top	1	L.72	MR/C	JB.8
	Std 1509/23/182					Tube, distance, $\frac{5}{16}$ " o/d. x 17 S.W.G. x 1-82" long (Make from 30B/556)	4	T.4		
	Std 1547/40/12					Washer, profile	2	DTD.610	MR/C	
	Std 1547/40/8					Washer, profile	1	DTD.610	MR/C	
	Std 1547/34/16					Washer, profile	1	DTD.610		
7346	A.200350					Channel, at lower portion of frame	1	L.72	MR/C	JB.8
7347	A.204955					Channel, at lower portion of frame, port	1	L.72	MR/C	JB.8
7348	A.200344					Channel, at lower portion of frame, starboard	1	L.72	MR/C	JB.8
7349	A.200345					Channel, at lower portion of frame	1	L.72	MR/C	JB.8
	x 6F-F+W-709250POS1					Reparaturbolzen	—	—		
	6F-F+W-709250POS2					Reparaturbolzen	—	—		

FUSELAGE—CENTRE PORTION

Ref. No.	Part No.	Description					No. Off	Material Specification	M.R. Class of Store	Plate No.
		1	2	3	4	5				
7350	A.200352					Channel, at lower portion of frame	1	L.72	MR/C	JB.8
2559	A.179990					Channel, at lower portion of frame	1	DTD.610	MR/C	JB.8
7351	A.200348					Channel, at lower portion of frame	1	L.72	MR/C	JB.8
2561	A.179991					Channel, at lower portion of frame	1	DTD.610	MR/C	JB.8
7352	B.208152					Channel, bottom, inner	1	DTD.364	MR/C	JB.8
7353	A.200347					Channel, below bottom fork fitting	2	L.72	MR/C	JB.8
7354	A.200354					Channel, for gear box mounting	1	L.72	MR/C	JB.8
7355	A.200351					Channel, for gear box mounting	1	S.3	MR/C	JB.8
7356	A.200353					Channel, for gear box mounting	1	L.72	MR/C	JB.8
	C.180497					Fork fitting, lower, port	1	Stamping		
	C.180498					Fork fitting, lower, starboard	1	Stamping		
	C.180495					Fork fitting, top, port	1	Stamping		
	C.180496					Fork fitting, top, starboard	1	Stamping		
	Std. 1718/7					Nut, at fork fitting	16	S.95.B	MR/C	
2566	F.180092					Packing, at bottom joint plates, port only	2	DTD.610	MR/C	JB.8
	Std 1549/28/12					Packing, radius at outboard angle (Mod. 702)	1			
	F.226701					Packing, at outboard angle (Mod. 702)	1	L.65.B	MR	
	F.196907					Piece, distance, between front and rear face, at lower portion of frame	2	S.3 & T.26		
	F.221660					Piece, distance, between front and rear face at lower portion of frames (Mod. 614)	2	S.3 & T.26		
2567	A.178971					Plate, joint, at lower portion of frame, port	2	DTD.166	MR/C	JB.8
2568	A.178972					Plate, joint, at lower portion of frame, starboard	2	DTD.166	MR/C	JB.8
2569	A.178973					Plate, joint, at lower portion of frame	4	DTD.166	MR/C	
7358	C.203331					Plate, reinforcing, bottom, forward... ..	1	DTD.166	MR/C	JB.8
7359	C.203332					Plate, reinforcing, bottom, aft	1	DTD.166	MR/C	JB.8
7360	A.200096					Plate, reinforcing, at lower portion, of frame	2	L.72	MR/C	JB.8
—	C.227266					PLATE, REINFORCING FOR GEARBOX DRIVE, LOWER ATTACHMENT, ASSEMBLY (Mod. 702)	—	—	—	
	F.226909					Piece, distance	4	—	MR	
	B.226906					Plate, reinforcing forward	1	S.520	MR	
	B.226907					Plate, reinforcing aft	1	S.520	MR	
7361	B.200386					Plate, reinforcing lower	1	L.73	MR/C	JB.8
	F.226694					Shim, at outboard angle bracket (Mod. 702)	2	Brass or Alum.	MR	
	F.226695					Shim, at inboard angle bracket (Mod. 702)	2	Brass or Alum.	MR	
	A.200874					Spool, for aileron control	2	Stamping		
	Std 1208/100/44/20					Washer, shim, at fork fitting	QR	Shim Steel		
	Std 1208/112/44/20					Washer, shim, at fork fitting	QR	Shim Steel		
	Std 1208/60/16/5					Washer, shim, for gear box steady bracket	QR	Steel	MR/C	
7363	D.201002					Web, forward, port	1	L.73	MR/C	JB.8
7364	D.201003					Web, forward, starboard	1	L.73	MR/C	JB.8
7365	D.201007					Web, rear, port	1	L.73	MR/C	JB.8
7366	D.201008					Web, rear, starboard	1	L.73	MR/C	JB.8
	D.200055					Frame 33, group	1	—		
4874	F.195549					Angle, supporting hydraulic pipe clipping	2	DTD.610	MR/C	
7369	D.200055/2					Diaphragm, port	1	L.72	MR/C	JB.9
7370	D.200055/3					Diaphragm, starboard	1	L.72	MR/C	JB.9
7371	B.201060					Plate, reinforcing	1	L.72	MR/C	
7367	F.205740					Plate, reinforcing	2	L.72	MR/C	JB.9

FUSELAGE—CENTRE PORTION

Ref. No.	Part No.	Description	No. Off	Material Specification	M.R. Class of Store	Plate No.
	D.200098	Frame 34, group	1	—		
7372	F.203956	Angle, mounting, at bottom portion of frame ...	1	L.72	MR/C	JB.9
4874	F.195549	Angle, supporting hydraulic pipe clipping ...	2	DTD.610	MR/C	JB.9
7373	A.205742	Bracket, mounting, for flame switch	1	L.72	MR/C	
7374	A.209855	Bracket, mounting, for pressure switch	1	L.72	MR/C	JB.9
7375	F.204071	Bracket, support, for fire extinguisher spray tube	9	L.72	MR/C	JB.9
7376	F.200765	Bracket, attachment, port side only	1	DTD.610	MR/C	
7377	A.202907	Bracket, mounting, for flame switch at top of frame	1	L.72	MR/C	JB.9
2852	A.177104	Butt-strap, outer	2	DTD.546	MR/C	JB.9
2581	A.177105	Butt-strap	2	DTD.546	MR/C	
	A.203462-3	CHANNEL, BEARING AND ANGLES, FOR FORWARD ENGINE MOUNTING SUB-ASSEMBLY	—	—		
7504	A.203468	Angle, bearing, inboard, port	1	DTD.166	MR/C	JB.6
7505	A.203469	Angle, bearing, inboard, starboard	1	DTD.166	MR/C	JB.6
7506	A.203466	Angle, bearing, outboard, port	1	DTD.166	MR/C	JB.6
7507	A.203467	Angle, bearing, outboard, starboard	1	DTD.166	MR/C	JB.6
7508	B.203464	Channel, bearing, port	1	DTD.166	MR/C	JB.6
7509	B.203465	Channel, bearing, starboard	1	DTD.166	MR/C	JB.6
7378	D.200098/7	Channel, bottom	1	DTD.364	MR/C	JB.9
7379	D.200098/1	Diaphragm, forward, port	1	L.72	MR/C	JB.9
7380	D.200098/2	Diaphragm, forward, starboard	1	L.72	MR/C	JB.9
7381	D.200098/3	Diaphragm, aft, port	1	L.72	MR/C	JB.9
7382	D.200098/4	Diaphragm, aft, starboard	1	L.72	MR/C	JB.9
7383	A.201738	Guide, for adjusting bolt	1	S.3	MR/C	
7384	F.202092	Indicator, levelling, for engine jury rail	1	DTD.364	MR/C	JB.9
2596	A.177100	Plate, joint, at bottom frame joint	2	DTD.610	MR/C	JB.9
	Std.1687/2	Saddle, securing electrical cables	12	DTD.610	C.	5
7385	A.200221	Support, for engine rail	1	S.1	MR/C	JB.9
—	Std.1509/23/084	Tube, distance, $\frac{5}{8}$ " o/d. x 17 S.W.G. x 0.84" long (Make from 30B/556)	4	T.4	—	4
	Std.1509/23/112	Tube, distance, $\frac{5}{8}$ " o/d. x 17 S.W.G. x 1.12" long (Make from 30B/556)	1	T.4	MR/C	4
	Std.915/A/16	Washer, at support plate	3	DTD.610	MR/C	4
	D.221336	Frame 35, group (Mod. 589)	1	—		
7510	A.203258	Angle, reinforcing, port	1	L.72	MR/C	
7511	A.203259	Angle, reinforcing, starboard... ..	1	L.72	MR/C	
7512	F.207778	Angle, attachment, port only	1	L.72	MR/C	
	F.207779	Angle, attachment, port only	1	L.72		
7513	A.205304	Bracket, support, for pipe at top of frame	1	S.3	MR/C	JB.9
	D.221336/2	Diaphragm, side, port (Mod. 589)	1	DTD.610	MR/C	JB.9
	D.221336/3	Diaphragm, side, starboard (Mod. 589)	1	DTD.610	MR/C	JB.9
	D.221336/4	Diaphragm, bottom, forward (Mod. 589)	1	DTD.610	MR/C	JB.9
	D.221336/5	Diaphragm, bottom, aft (Mod. 589)	1	DTD.610	MR/C	JB.9
	C.221337	Plate, reinforcing (Mod. 589)	1	L.72	MR	

FUSELAGE—CENTRE PORTION

Ref. No.	Part No.	Description	No. Off	Material Specification	M.R.	Place No.
					Class of Store	
		1	2	3	4	5
7389	D.202599	Frame 36, group	1	—		
7390	D.202599/4	Bottom portion of frame, port	1	DTD.610	MR/C	JB.9
7391	D.202599/5	Bottom portion of frame, starboard	1	DTD.610	MR/C	JB.9
	F.204793	Bracket, support, for pipe	1	S.3	MR/C	JB.9
	F.196984	Bracket, for clip attachment	1	—		
	Std.1687/2	Saddle, securing electrical cables	3	DTD.610	C.	5
	D.200102	Frame 37, group	1	—		
	F.171766	Angle, support, bottom, starboard	1	DTD.610		
	F.171767	Angle, support, bottom, port	1	DTD.610		
	F.196985	Angle, support, for pipe clip	2	—		
7392	A.204794	Bracket, support, for fuel pipe	1	S.3	MR/C	JB.9
7393	D.200102/3	Diaphragm, bottom	1	DTD.610	MR/C	JB.9
7394	C.200337	Plate, reinforcing, at bottom of frame	1	DTD.166	MR/C	JB.9
	Std.1687/2	Saddle, securing cables	1	DTD.610	C.	5
	F.197056	Saddle, special, for cable clip	1	DTD.610		
	D.203011	Frame 38, group portion	1	—		
7395	D.203011/5	Angle, lower portion of frame	1	L.72	MR/C	
7516	D.203011/6	Angle, port	1	DTD.364	MR/C	JB.9
7517	D.203011/7	Angle, starboard	1	DTD.364	MR/C	JB.9
7377	A.202907	Bracket, mounting, for flame switch	1	L.72	MR/C	
7396	F.204070	Bracket, support, for fire extinguisher spray tube	8	L.72	MR/C	
7397	D.203011/3	Diaphragm, bottom	1	DTD.166	MR/C	JB.9
7398	B.203109	Plate, joint, port	1	DTD.166	MR/C	
7399	B.203110	Plate, joint, starboard	1	DTD.166	MR/C	
8333	A.210243	Union, flanged, for bulkhead (Mod. 342)	2	S.62.B	C.	JB.9
	E.200364	Frame 39, top portion	1	DTD.610		
	E.200365	Frame 39, bottom portion, group	1	—		
7400	E.200365/2	Angle, lower, port	1	DTD.610	MR/C	JB.9
7401	E.200365/3	Angle, lower, starboard	1	DTD.610	MR/C	JB.9
7402	B.200313	Bracket, bottom, port, for thrust member	1	DTD.610	MR/C	JB.9
7403	B.200314	Bracket, bottom, starboard, for thrust member	1	DTD.610	MR/C	JB.9
7404	A.200226	Bracket, support, at bottom of frame	2	L.72	MR/C	JB.9
7405	E.200365/1	Diaphragm, lower	1	DTD.610	MR/C	JB.9
2810	B.176254	Plate, reinforcing	1	DTD.610	MR/C	JB.9
7519	B.202236	Plate, reinforcing, port	1	L.72	MR/C	
7520	B.202237	Plate, reinforcing, starboard	1	L.72	MR/C	
	Std.1687/2	Saddle, securing cables	5	DTD.610	C.	5
	E.200679	Frame 40A, group	1	—		
	A.200908	Angle, attachment, at engine mounting brackets, bottom port, top starboard	2	DTD.610		
	A.200909	Angle, attachment, at engine mounting brackets, top port, bottom starboard	2	DTD.610		
1264	F.163972	Angle, at transport joint fittings	8	DTD.364	C.	JB.9
1765	F.191864	Angle, at transport joint fittings	22	DTD.364	C.	JB.3
7521	A.200266	Bracket, lower hinge, for engine mounting, port	1	Stamping	MR/C	
7522	A.200267	Bracket, lower hinge, for engine mounting, starboard	1	Stamping	MR/C	
7523	A.200268	Bracket, top hinge, for engine mounting, port	1	Stamping	MR/C	
7524	A.200269	Bracket, top hinge, for engine mounting, starboard	1	Stamping	MR/C	
7406	A.200800	Channel, reinforcing at bottom portion of frame	2	DTD.610	MR/C	
7407	E.200679/3	Diaphragm, forward, starboard	1	DTD.610	MR/C	JB.9

FUSELAGE—CENTRE PORTION

Ref. No.	Part No.	Description	No. Off					Material Specification	M.R. Class of Store	Plate No.	
			1	2	3	4	5				
7427	F.202389	Sealing, at stringer "K," frame 30						1	Plastic	MR/C	JB.8
7428	F.202390	Sealing, at stringer "K," frame 30						1	Plastic	MR/C	JB.8
7429	F.202391	Sealing, at stringer "K," frame 30						1	Plastic	MR/C	JB.8
	C.200502	PLATE, SEALING, FOR STRINGERS AT FRAME 38, ASSEMBLY						—	—		
7430	F.200505	Sealing, at stringers "A," "B," "C" & "J" ...						7	Plastic	MR/C	JB.9
4456	F.189604	Sealing, at stringers "D" & "H"						4	Plastic	MR/C	JB.9
4465	F.189602	Sealing, at stringers "E" & "G"						4	Plastic	MR/C	JB.9
4463	F.189600	Sealing, at stringer "F"						2	Plastic	MR/C	JB.9
4464	F.189601	Sealing, at stringer "F"						2	Plastic	MR/C	JB.9
7431	F.200503	Sealing, at stringer "K"						2	Plastic	MR/C	JB.9
7432	F.200504	Sealing, at stringer "L"						2	Plastic	MR/C	JB.9
	B.202112	RAIL FOR ENGINE, ASSEMBLY						—	—		
7525	F.175940	Angle, support						2	DTD.610	MR/C	JB.6
7526	F.202121	Angle, port						1	L.72	MR/C	JB.6
7527	F.202122	Angle, starboard						1	L.72	MR/C	JB.6
7568	A.202119	Angle, port						1	DTD.364	MR/C	JB.6
7569	A.202120	Angle, starboard						1	DTD.364	MR/C	JB.6
7570	A.200228	Bracket, mounting, port						1	L.72	MR/C	JB.6
7571	A.200229	Bracket, mounting, starboard						1	L.72	MR/C	JB.6
7433	B.202113	Diaphragm, forward, port, frame 37 to frame 38						1	L.72	MR/C	JB.6
7434	B.202114	Diaphragm, forward, starboard, frame 37 to frame 38						1	L.72	MR/C	JB.6
7435	B.202115	Diaphragm, centre, port, frame 38 to frame 39						1	L.72	MR/C	JB.6
7436	B.202116	Diaphragm, centre, starboard, frame 38 to frame 39						1	L.72	MR/C	JB.6
7437	B.202117	Diaphragm, aft, port, frame 39 to frame 40A ...						1	L.72	MR/C	JB.6
7438	B.202118	Diaphragm, aft, starboard, frame 39 to frame 40A						1	L.72	MR/C	JB.6
2815	B.177323	Lug, for rail						1	Stamping	MR/C	JB.6
7439	B.200283	Mounting, for rail						1	Stamping	MR/C	JB.6
7440	B.200225	Rail						1	—	MR/C	JB.6
	Std.1507/2/134	Tube, distance, $\frac{1}{4}$ " o/d. x 22 S.W.G. x 1-34 long						8	T.26		
	F.230660	Shim, at slinging eyebolt						12	Brass		JB.1
	B.201050	SKIN, COVERING, FRAME 25 TO FRAME 32, ASSEMBLY						—	—		
	A.206000	Angle, reinforcing, frame 27 to frame 29, port						1	DTD.364		
	A.206001	Angle, reinforcing, frame 27 to frame 29, starboard						1	DTD.364		
	Std.1551/5/270	Bolt, special, for attachment of diaphragm "M" to lower drag members						4	S.99.B	MR/C	
	C.205772	BRACKET, CRADLE FOR FUEL FILTER DE-ICING ALCOHOL TANK, ASSEMBLY (Mod. 254)						—	—		
	A.205145	Bracket, cradle						1	L.72	MR	
	A.215836	Bracket, cradle						1	L.72	MR	
	A.215837	Bracket, cradle						1	L.72	MR	
	A.215838	Bracket, cradle						1	L.72	MR	
	C.205772/1	Felt, $\frac{3}{8}$ " wide x 5" long						2	DTD.590		

FUSELAGE-CENTRE PORTION

Ref. No.	Part No.	Description	No Off					Material Specification	M.R. Class of Score	Place No.
			1	2	3	4	5			
6047	A.201094 6F-BAMP-D-12034	Bracket, mounting, at frame 31 ... Bride	2					L.72	MR/C	JB.2
			1							JB.2
7528	A.206929	Bracket, for hydraulic pipe cleat, port ...	1					L.72	MR/C	JB.2
7529	A.206930	Bracket, for hydraulic pipe cleat, starboard ...	1					L.72	MR/C	JB.2
	F.217660	Bracket, mounting (Mod. 510) ...	8					L.72		
	B.202153	BRACKET, FOR STARTER FUEL TANK, PORT ONLY, ASSEMBLY	-					-		
7442	A.202152	Bracket ...	1					L.72	MR/C	JB.3
	B.201705	LANDING, FOR ACCESS DOOR TO STARTER TANK, PORT ONLY, ASSEMBLY	-					-		
7553	B.201706 S5-325	Landing, group ... Spring, fastener ...	1 1					L.73 -	MR/C C.	JB.2
	B.200515 F.184598	LEVELLING, POINTS, SUB-ASSEMBLY ... Bearing, forward and aft levelling points, port only	- 2					- Stamping		
	A.200516	Bracket, bearing, C of G datum point, port	1					S.3		
	A.200517	Bracket, bearing, C of G datum point, starboard	1					S.3		
	STD 1718/5	Nut, special ...	2					S.95.B		
6148	F.206361	Plate, attachment, for weather covers ...	2					S.3	C.	
7534	F.203845	Plate, reinforcing, at fuel starter drain outlet, port only	1					L.72	MR/C	
7530	D.201050/1	Skin, top, main spar to rear spar, port ...	1					DTD.546	MR/B	JB.2
7531	D.201050/2	Skin, top, main spar to rear spar, starboard ...	1					DTD.546	MR/B	JB.2
7532	D.201050/3	Skin, side, main spar to rear spar, port ...	1					DTD.546	MR/B	JB.2
7533	D.201050/4	Skin, side, main spar to rear spar, starboard ...	1					DTD.546	MR/B	JB.2
	C.205998-9	STOP, FOR UNDERCARRIAGE FAIRING DOOR, AND SEQUENCE VALVE MOUNTING, SUB-ASSEMBLY	-					-		
5177	B.201691	Bracket, forward, port (8 morse No. 21 holes omitted)	1					L.72	C.	JB.2
5178	B.201692	Bracket, forward, starboard (8 morse No. 21 holes omitted)	1					L.72	C.	JB.2
5179	B.201693	Bracket, aft, port (8 morse No. 21 holes omitted)	1					L.72	C.	JB.2
5180	B.201694	Bracket, aft, starboard (8 morse No. 21 holes omitted)	1					L.72	C.	JB.2
5815	A.189625	Bracket, mounting, for sequence valve, port	1					DTD.610	C.	JB.2
5816	A.189626	Bracket, mounting, for sequence valve, starboard	1					DTD.610	C.	JB.2
5732	A.201677	Bracket, reinforcing, port	1					S.3	MR/C	JB.2
5733	A.201678	Bracket, reinforcing, starboard ...	1					S.3	MR/C	JB.2
7443	C.205994	Bracket, lower, forward, port ...	1					L.72	MR/C	JB.2
7444	C.205995	Bracket, lower, forward, starboard ...	1					L.72	MR/C	JB.2
7445	C.205996	Bracket, lower, aft, port ...	1					L.72	MR/C	JB.2
7446	C.205997	Bracket, lower, aft, starboard ...	1					L.72	MR/C	JB.2
5738	A.202891	Bracket, guide, port ...	1					DTD.364 & St. St.	MR/C	JB.2
5739	A.202892	Bracket, guide, starboard ...	1					DTD.364 & St. St.	MR/C	JB.2
	F.202893	Zwischenstück	1							JB.2

FUSELAGE-CENTRE PORTION

Ref. No.	Part No.	Description	No. Off					Material Specification	M.R. Class of Score	Plate No.	
			1	2	3	4	5				
8402	F.209988	Bush, for operating lever (Mod. 314)						2	BSS.369	C.	
7855	A.209986	Lever, operating, sequence valve, port (Mod. 314)						1	Casting	B.	JB.2
7856	A.209987	Lever, operating, sequence valve, starboard (Mod. 314)						1	Casting	B.	JB.2
1014	F.189628	Rod, operating						2	S.96.B	C.	JB.2
1013	F.189627	Screw, special						2	S.95.B	C.	JB.2
4650	F.198997	Screw, special, for stop adjustment						2	S.96.B	C.	JB.2
1015	F.189629	Stop, at top of operating rod						2	S.95.B	C.	JB.2
4651	F.196854	Stud, special						2	S.3 & S.21	C.	JB.2
1016	F.187086	Trunnion						2	S.94.B	C.	JB.2
	AS 460/314	Sk.-Niet						2			JB.2
	SP 7/YG	Gabelendstück						2			JB.2
	SP 4/Y/G16	Splintbolzen						2			JB.2
	A 27/GP	6kt.-Mutter						2			JB.2
	A 27/CT	6kt.-Mutter						2			JB.2
	A 27/ES	6kt.-Mutter						2			JB.2
	C.205785/1	Tube, distance						2	T.26	—	
	STD 1547/30/12	Washer, special... ..						6	DTD.610	C.	
	STD 1547/30/14	Washer, special						4	DTD.610	MR/C	
2181	C.182631	Strap, reinforcing, at main spar, bottom portion, port						1	DTD.546	MR/C	JB.4
2182	C.182632	Strap, reinforcing, at main spar, bottom position, starboard						1	DTD.546	MR/C	JB.4
	6F-BAMF-A-12062	Stud, outlet, at fuel starter drain, port only ...						1	—	B.	
	SP 69/508	Sk.-Niet						3			
	STD 1208/82/36/20	Washer, shim, at attachment of diaphragm "M" to lower drag member						QR	—	MR/C	
	E.201049	SKIN, COVERING, FRAME 32 TO FRAME 40A, ASSEMBLY						—	—		
	D.203353	BRACKET, MOUNTING, FOR EXTRACTOR DUCTS, ASSEMBLY						—	—		
7538	B.261243	Bracket, mounting, top						2	L.72	MR/C	
	AS 463/404	Niet						8	—	—	
	NB 1077	Niet 3,5 x 8						12	742.4	—	
7539	B.203356	Bracket, mounting, port						1	L.72	MR/C	
7540	B.203357	Bracket, mounting, starboard						1	L.72	MR/C	
	D.222689	BRACKETS, MOUNTING, HYDRAULIC RESERVOIR, ASSEMBLY (Mod. 589)						—	—		
	A.221296	Bracket, mounting, aft, bottom						1	L.72	MR/C	JB.6
	A.221310	Bracket, mounting, aft, top						1	S.510	MR/C	JB.6
	B.221291	Mounting, forward						1	DTD.364	MR/C	JB.6
	C.203730-1	BRACKET, MOUNTING, FOR HIGH ENERGY IGNITER UNIT, ASSEMBLY						—	—		
7447	C.203732	Bracket, mounting, port						1	L.72	MR/C	JB.3
7448	C.203733	Bracket, mounting, starboard						1	L.72	MR/C	JB.3
7449	A.204499	Bracket, mounting, for hynamic valve, starboard only						1	S.3	MR/C	JB.3
	F.220188	Connection and fuel drain, between frames 35 and 36 (Mod. 545)						1	—		
	D.203565	DUCT, FOR BLEED VALVE, STARBOARD ONLY, ASSEMBLY						—	—		
9821	D.233587	Duct (Mod. 817)						1	S.510	MR/C	JB.5
7451	C.203373	Flange, sealing						1	—	MR/C	JB.5
6689	A.203713	Spindle						1	S.80	C.	JB.5
6690	F.203714	Spring						1	DTD.215	C.	JB.5
6691	F.203715	Spring						1	DTD.215	C.	JB.5

FUSELAGE—CENTRE PORTION

Ref. No.	Part No.	Description	No. Off					Material Specification	M.R. Class of Store	Place No.
			1	2	3	4	5			
7463	F.204220	Guide, for pipe		2				BSS.265 & DTD.253	MR/C	
	F.197441	Guide, for pipes between frames 35 and 36 ...		2				S.3 & T.26		
	C.201328	INTAKE, AIR, UPPER, PORT AND STARBOARD, FOR ZONE 2 COOLING, ASSEMBLY						—		
	F.209716	Bracket		2				L.72		
7452	F.209715	Door		2				L.72	MR/C	JB.6
7567	C.201327	Intake, air		2				S.3 & L.72	MR/B	JB.6
	STD 1221/Y/B/82	Pin, special		2				Steel	MR/C	JB.6
	F.211457	Plate, support		2				DTD.610		
7453	F.209713	Spring		2				Sp. St. Wire	MR/C	JB.6
	STD 1509/23/162	Tube, distance, $\frac{5}{16}$ " o/d. x 17 S.W.G. x 1.62" long		2				T.4	MR/C	JB.6
	C.203475	INTAKE, AIR, LOWER, PORT AND STARBOARD, FOR ZONE 2 COOLING, ASSEMBLY						—		
	F.209716	Bracket		2				L.72		
7452	F.209715	Door		2				L.72	MR/C	JB.6
	C.203476	Intake, air		2				S.3		
	STD 1221/Y/B/82	Pin, special		2				Steel	MR/C	
	F.201299	Plate, support		2				DTD.610		
7454	F.209714	Spring		2				Sp. St. Wire	MR/C	
	STD 1509/23/162	Tube, distance, $\frac{5}{16}$ " o/d. x 17 S.W.G. x 1.62" long		2				T.4	MR/C	
	C.200544	LANDING, FOR ACCESS PANEL TO GEAR BOX DRIVE, PORT, ASSEMBLY						—		
7547	A.209804	Bracket, for fire detector		1				S.3	MR/C	
7548	C.200544/1	Landing		1				DTD.610	MR/C	JB.4
	STD 1231/7B	Lug, locking		1				S.3		
	B.205543	LANDING, FOR ACCESS PANEL TO SLOW RUNNING ADJUSTMENT, PORT ONLY, ASSEMBLY						—		
	B.205543/1	Landing		1				L.72	MR/C	JB.4
	STD 1231/8	Lug, locking		1				S.3	MR/C	4
7550	B.200821	Landing, for front engine mountings access panel, port		1				L.72	MR/C	JB.2
7551	B.200822	Landing, for front engine mountings access panel, starboard		1				L.72	MR/C	JB.2
	C.200258	LANDING, FOR IGNITER PLUG ACCESS PANEL, PORT AND STARBOARD, ASSEMBLY						—		
	C.200258/1	Landing		2				DTD.610	MR/C	JB.4
7552	STD 1231/7B	Lug, locking		2				S.3		

FUSELAGE—CENTRE PORTION

Ref. No.	Part No.	Description	No. Off					Material Specification	M.R. Class of Store	Plate No.
			1	2	3	4	5			
	C.202248	LANDING, FOR OIL LEVEL INSPECTION PANEL, ASSEMBLY								
7553	B.201706	Landing, group					1	L.73	MR/C	JB.5
	B.201706/1	Landing					1	L.73		
	S5-325	Spring					1	—	C.	
	STD 1231/8	Lug, locking					1	S.3	MR/C	4
	C.205588	LANDING, FOR R.P.M. ADJUSTMENT AND FUEL PUMP GOVERNOR BLEED ACCESS PANEL, STARBOARD, ONLY, ASSEMBLY								
7554	C.205588/1	Landing					1	L.72	MR/C	JB.5
	STD 1231/8	Lug, locking					1	S.3	MR/C	4
	C.205809	MOUNTING, FUEL FILTER DE-ICING PUMP, ASSEMBLY (Mod. 254)								
	F.218518	Angle					1	L.72		
	C.205147	Mounting, panel					1	—		
6692	A.202068	Mounting, for pressure relief valves, starboard only					1	S.3		
	A.202068/3	Clip, half					1	S.3	C.	
6049	F.197018	Mounting, for terminal blocks, starboard only					1	DTD.610	MR/C	
2751	C.184586	Plate, reinforcing, port					1	DTD.546 & DTD.610	MR/C	JB.2
2752	C.184587	Plate, reinforcing, starboard					1	DTD.546 & DTD.610	MR/C	JB.2
	F.216515	Platform, mounting for T.B. (Mod. 452)					1	—	MR	
	C.202099	PLATE, REINFORCING, AT EXTRACTOR OUTLET, FRAME 36 TO FRAME 37, PORT, ASSEMBLY								
7566	D.202755	Duct, extractor					1	—	MR/C	JB.2
	C.202099/1	Plate, reinforcing					1	L.72		
	C.202100	PLATE, REINFORCING, AT EXTRACTOR OUTLET, FRAME 36 TO FRAME 37, STARBOARD, ASSEMBLY								
	D.202756	Duct, extractor					1	—		
	C.202100/1	Plate, reinforcing					1	L.72		
7541	E.201049/1	Skin, top, rear spar to frame 40A, port (Supplied as Ref. 2177, E.183420/13)					1	L.72	MR/B	JB.2
7542	E.201049/2	Skin, top, rear spar to frame 40A, starboard (Supplied as Ref. 2178, E.183420/14)					1	L.72	MR/C	JB.2
7543	E.201049/3	Skin, side, rear spar to frame 40A, port (Supplied as Ref. 1831, E.183420/15)					1	L.72	MR/B	JB.2
7544	E.201049/4	Skin, side, rear spar to frame 40A, starboard (Supplied as Ref. 1832, E.183420/16)					1	L.72	MR/B	JB.2
	A.203670	Sleeve, locating, for centrifugal breather vent pipe					1	T.26 or T.45 & S.3		

FUSELAGE-CENTRE PORTION

Ref. No.	Part No.	Description	No. Off					Material Specification	M.R. Class of Store	Place No.	
			1	2	3	4	5				
4498	F.184234	Socket, for engine oil filler drain pipe						1	S.3 & T.26	C.	
	C.200501	Strap, rear spar, bottom, group						1	—		
	SFLA5-200	Spring						6	—	C.	
7458	C.200501/1	Strap						1	L.72	MR/C	JB.4
7459	E.201049/6	Strap, reinforcing, bottom, at frame 34						1	L.72	MR/C	JB.4
	C.200409	TRAY, DRIP, FOR HYDRAULIC RESERVOIR, AND REINFORCING PLATE, ASSEMBLY						—	—		
1009	F.184599	Ring, reinforcing						1	DTD.610	C.	JB.5
9384	A.222093	Sealing (Mod. 589)						1	DTD.458	C.	JB.5
	B.197868	Tray, drip						1	L.69 & L.54		
	D.201054	SKIN, COVERING, BOTTOM, MAIN SPAR TO REAR SPAR, ASSEMBLY						—	—		
7460	A.201246	Angle, support, for external supply sockets mounting						1	DTD.610	MR/C	JB.4
7461	A.201247	Angle, support, for external supply sockets mounting						1	DTD.610	MR/C	JB.4
7462	F.203174	Bracket, for attachment of pipe clip						1	L.72	MR/C	
6693	F.205158	Clip, for pipe, on rear spar						1	S.84 or S.3	C.	
8370	F.216465	Flange, pipe for liquid starter drain (Mod. 513) (Pre Mod. 823)						1	—	B.	
3843	King-C.3903/1	Fitting, attachment						3	—	C.	JB.5
3844	King-C.3903/2	Fitting, attachment						1	—	C.	JB.5
	King-D.3060/2	Spez.-Schraube						1	—		JB.5
7463	F.204220	Guide, for pipe at frame 30						1	BSS.265 & DTD.253	MR/C	
Ae.A.Hu-FT-604	6F-BAMF-A-12061	Guide, for pipe between frame 27-29 (Mod. 672)						1	DTD.283 & DTD.253		
	AS 2230/406	SK-Niet						4	—		
7464	D.201054/3	Landing, for engine starter and gearbox access doors port						1	DTD.610	MR/C	JB.4
7465	C.200461	Landing, for gearbox filler access panel, group						1	—	MR/C	JB.5
	SFLA5-200	Spring						8	—	C.	
1024	King-C.3100/H	Lever and catch pin						4	—	C.	JB.5
	C.201752	MOUNTING, FOR EXTERNAL SUPPLY SOCKETS, ASSEMBLY						—	—		
7466	A.201754	Bracket						1	DTD.610	MR/C	JB.4
7467	A.201755	Bracket						1	DTD.610	MR/C	
	B. 236230	Plate, mounting (Mod. 2410)						1	DTD.610		JB.4
	B. 236229	Mounting, for self sealing couplings (Mod. 2410)						1	L.72		JB.4
	D.201054/11	Packing						1	DTD.610		
7470	D.201054/7	Plate, at frame 27						1	DTD.171	MR/C	
7471	D.201054/4	Plate, reinforcing, at starboard side of access doors						1	DTD.610	MR/C	
7472	D.201054/1	Skin, bottom, between frame 30 and rear spar ...						1	DTD.610	MR/C	JB.1
7473	D.201054/2	Skin, bottom, at frame 27						1	DTD.610	MR/C	JB.1
2162	E.183421/3	Skin, bottom, at main spar						1	DTD.610	MR/B	JB.1
	or										
	D.201054/9										
7474	B.201244	Stiffener, starboard side of gearbox access door						1	L.72	MR/C	
7475	A.201245	Stiffener, starboard side of engine starter access door						1	DTD.610	MR/C	
	STD 915/C/22	Washer, between stringer "K" and attachment fittings						9	DTD.610	C.	4

FUSELAGE-CENTRE PORTION

Ref. No.	Part No.	Description	No. Off					Material Specification	M.R. Class of Store	Plate No.
			1	2	3	4	5			
	E.201053	SKIN, COVERING, BOTTOM, REAR SPAR TO FRAME 40A, ASSEMBLY	-	-	-	-	-			
5855	A.205075	Cable, retaining, engine access panel	2	-	-	-	-	C.	JB.5	
8513	F.216608	Drain, extension at frames 58 and 59 (Mod. 545)	4	-	-	-	L.65	C.	JB.5	
3843	King-C.3903/1	Fitting, attachment	3	-	-	-	-	C.	JB.5	
3845	King-C.3903/3	Fitting, attachment	1	-	-	-	-	C.		
	A.183429	Landing, for gearbox access door	1	-	-	-	DTD.610			
	A.183430	Landing, for gearbox access door	1	-	-	-	DTD.610			
2759	A.183418	Landing, for engine access door, frame 34, starboard	1	-	-	-	L.72	MR/C	JB.5	
2760	A.183419	Landing, for engine access door, frame 34, port	1	-	-	-	L.72	MR/C	JB.5	
4275	B.183416	Landing, for engine access door, frame 34 to 37, port	1	-	-	-	DTD.610	MR/C	JB.5	
2762	B.183417	Landing, for engine access door, frame 34 to 37, starboard	1	-	-	-	DTD.610	MR/C	JB.5	
	A.183428	Landing, for engine access door, frame 37 ...	1	-	-	-	L.72	MR/C	JB.5	
1024	King-C.3100/H	Lever and catch pin	4	-	-	-	-	C.	JB.5	
2157	C.182692	Plate, reinforcing, at frames 37 and 40, port ...	1	-	-	-	DTD.546	MR/C	JB.5	
2158	C.182693	Plate, reinforcing, at frames 37 and 40, starboard	1	-	-	-	DTD.546	MR/C	JB.5	
1834	E.183421/2	Skin, bottom, frame 37 to frame 40A	1	-	-	-	DTD.610	MR/B	JB.1	
7478	E.201053/2	Skin, bottom, at frame 34	1	-	-	-	DTD.610	MR/B	JB.1	
	STD 915/C/20	Washer, packing, at "King Aircraft" attachment fittings	3	-	-	-	DTD.610	C.	4	
	D.203701	SKIN, PLATING, TOP, FRAME 18B TO MAIN SPAR, ASSEMBLY	-	-	-	-	-			
2755	C.181728	Landing, for fuel lever switch access panel ...	2	-	-	-	DTD.610	MR/C	JB.2	
x 1023	F.173505	Nut, retaining for fuel tank	10	-	-	-	S.3 & S.21	C.	JB.2	
	F.205515	Sealing, at transport joint, frame 18	2	-	-	-	Rubber			
	D.201052	SKIN, PLATING, TOP, BETWEEN MAIN SPAR AND REAR SPAR, ASSEMBLY	-	-	-	-	-			
	B.201602	BRACKET, MOUNTING, FOR COLD AIR UNIT, ASSEMBLY	-	-	-	-	-			
	B.201601	Bracket, mounting	1	-	-	-	L.72			
	C.201301	Outlet, for cooler duct, port and starboard, assembly	2	-	-	-	-			
7555	D.201238	Outlet, for cooler duct	2	-	-	-	S.3	MR/C		
	E.201051	SKIN, PLATING, TOP, REAR SPAR TO FRAME 40A, ASSEMBLY	-	-	-	-	-			
	A.220936	Bracket, mounting for cable joint at frame 40 ... (Mod. 629)	1	-	-	-	L.72			
2756	A.192906	Bracket, mounting, for tank pressurising connection	1	-	-	-	DTD.610	MR/C	JB.2	
7956	B.211432	Bracket, mounting, for cable joint	1	-	-	-	-	B.	JB.2	
7556	B.202106	Landing, for air supply access panel, port ...	1	-	-	-	DTD.610	MR/C	JB.2	
7557	B.202107	Landing, for air supply access panel, starboard	1	-	-	-	DTD.610	MR/C	JB.2	
x	F.173506	Verschlusschraube	10	-	-	-	-		JB.2	

FUSELAGE—CENTRE PORTION

F+W Aendg. oder Ae. A.	Part No.	Description	No. Off	Material Specificat.	M. R. Class of Store	Plate No
	D.265547 oder D.200935	SKIN, AIR-INTAKE, FRAMES 25 TO 30, ASSEMBLY	—	—		JB.3
u-FT-525	E.204277	Skin Air-intake, port (Stubwing)	—	—		JB.2
	E.204278	Skin Air-intake, starboard (Stubwing)	—	—		JB.2
	B.215643	PANEL, FOR ACCESS TO STARTER EXHAUST, ASSEMBLY (Mod. 480)	—	—		
	A.215827	Landing	1	—	—	
8355	A.215826	Panel, access	1	—	B.	JB.3
x						
	C.215508	PANEL, FOR ACCESS TO SAFETY DISC, ASSEMBLY	—	—	—	
	B.215510	Landing	1	—	—	
8354	B.215509	Panel, access	1	—	B.	JB.3
xx	F.224372	Pipe, drain, top (Mod. 672)	1	L.54	C.	NQ.1
9645	B.326257	Seal, air intake to engine	1	Rubber	C.	JB.3
2626	B.178521	Stringer "J", nose spar to frame 21, port	1	DTD.364	MR/C	JB.4
2627	B.178522	Stringer "J", nose spar to frame 21, starboard	1	DTD.364	MR/C	JB.4
2628	C.178523	Stringer "J", frame 21 to main spar, port	1	DTD.364	MR/C	JB.4
2629	C.178524	Stringer "J", frame 21 to main spar, starboard	1	DTD.364	MR/C	JB.4
7484	C.200919	Stringer "J", main spar to rear spar, port	1	DTD.364	MR/C	JB.4
7485	C.200920	Stringer "J", main spar to rear spar, starboard	1	DTD.364	MR/C	JB.4
	B.205201	Generator-Kühlluft-Stutzen	1	—		
	6F-F+W-708615					
	POS1	Filtersieb, vollst.	1	—		
	6F-F+W-708615					
	POS3	Rahmen, 2-teilig	1	—		
	A.215826/3	Dichtung	1	—		JB.3
x	AS 1248/2C	Fr.-Schraube	6	—		JB.3
	AS 4573/1	Rückhaltering	6	—		JB.3
	B.215509/3	Dichtung	1	—		JB.3
xx	AS 1248/2C	Fr.-Schraube	14	—		JB.3
	AS 4573/1	Rückhaltering	14	—		JB.3

FUSELAGE—CENTRE PORTION

Ref. No.	Part No.	Description	No. Off					Material Specification	M.R. Class of Store	Plate No.	
			1	2	3	4	5				
7487	D.200866	Stringer "J", rear spar to frame 40A, port (Mod. 372)						1	DTD.364	MR	JB.4
	C.205585	Stringer "J", rear spar to frame 40A, starboard						1	DTD.364	MF	
7488	D.200586	Stringer "K", between rear spar and frame 40A, port						1	DTD.364	MR/C	JB.4
7489	D.200587	Stringer "K", between rear spar and frame 40A, starboard						1	DTD.364	MR/C	JB.4
2636	B.178525	Stringer "K", between nose spar and frame 21, port						1	DTD.364	MR/C	JB.4
2637	B.178526	Stringer "K", between nose spar and frame 21, starboard						1	DTD.364	MR/C	JB.4
2638	C.178527-8	Stringer "K", between frame 21 and main spar						2 prs.	DTD.364	MR/C	JB.4
7490	C.200785-S1	Stringer "K", main spar to rear spar, port group						1	DTD.364	MR/C	JB.4
5721	F.197126	Stud, earthing						1	S.94.B	MR/C	
7491	C.200786-S1	Stringer "K", main spar to rear spar, starboard group						1	DTD.364	MR/C	JB.4
5721	F.197126	Stud, earthing						1	S.94.B	MR/C	
7492	D.200588	Stringer "L", between frames 37 and 40A, port						1	DTD.364	MR/C	JB.4
7493	D.200589	Stringer "L", between frames 37 and 40A, starboard						1	DTD.364	MR/C	JB.4
	D.180831	STRUCTURE, SUPPORTING, FOR FUEL TANKS ASSEMBLY									
4675	F.180854	Bracket						2	DTD.364	MR/C	
4676	C.180832	Channel						1	DTD.610	MR/C	
4677	C.180833	Channel						1	DTD.610	MR/C	
4678	C.180834	Channel						1	DTD.610	MR/C	
4679	C.180835	Channel						1	DTD.610	MR/C	
4680	B.180846	Member, inter-costal, port						1	—	MR/C	
4681	B.180847	Member, inter-costal, starboard						1	—	MR/C	
4682	A.180848	Member, inter-costal, frames 21-22, port						1	DTD.610	MR/C	
4683	A.180849	Member, inter-costal, frames 21-22, starboard						1	DTD.610	MR/C	
4684	A.180850	Member, inter-costal, frames 22-23, port						1	DTD.610	MR/C	
4685	A.180851	Member, inter-costal, frames 22-23, starboard						1	DTD.610	MR/C	
4686	A.180852	Member, inter-costal, frames 23-25, port						1	DTD.610	MR/C	
4687	A.180853	Member, inter-costal, frames 23-25, starboard						1	DTD.610	MR/C	
4688	C.180840	Plate, fuel pump mounting						2	DTD.610	MR/C	
4689	C.180841	Plate, recuperator mounting, port						1	DTD.610	MR/C	
4690	C.180842	Plate, recuperator mounting, starboard						1	DTD.610	MR/C	
	Chekaieke-No.5	Plug oder						16	—	—	
	Chekaieke-No.6	Plug						16	—	—	
	Std.1299/3	Stud, securing guard and clips, for attaching electrical cables and fuel tank access panels						38	S.95.B	C.	4
9061	F.219800	Stud, at fuel tank access panels (AS.770/8)						2	S.1	C.	
	E.201500-1	STUB-WING, ASSEMBLY									
	D.182684-5	BOUNDARY LAYER DUCT, SUB-ASSEMBLY									
2643	B.183782	Leading edge section, forward of nose spar, port						1	DTD.364	MR/C	JB.4
2644	B.183783	Leading edge section, forward of nose spar, starboard						1	DTD.364	MR/C	JB.4
x 5712	A.183784	Spacer, at forward end of duct						4	DTD.364	MR/C	JB.4
	A ₀ 235346	Bracket, for selective firing switch (Mod.2411)						1	L.72	—	
	D.230215	Diaphragm "A", port						1	—	MR	
	D.230216	Diaphragm "A", starboard						1	—	MR	
	D.230217	Diaphragm "B", port						1	—	MR	
	D.230218	Diaphragm "B", starboard						1	—	MR	
	D.230219	Diaphragm "C", port						1	—	MR	
	D.230220	Diaphragm "C", starboard						1	—	MR	
	C.222754-5	DUCT, ASSEMBLY (Mod. 535)									
	F.216328	Angle, port						1	L.72	MR	
	F.216329	Angle, starboard						1	L.72	MR	
	A.216330	Bracket, port						1	L.72	MR	
	A.216331	Bracket, starboard						1	L.72	MR	
	Std.841/39	Clip, securing duct						2	DTD.610	—	4
	Std.1188/1	Clip, securing duct						2	DTD.610	MR	4
	F ₀ 216632	Duct						2	L.67	MR	
x	AS 1242/19C	Sk.-Schraube						4	—	—	JB.4

FUSELAGE—CENTRE PORTION

Ref. No.	Part No.	Description	No. Off					Material Specification	M.R. Class of Store	Plate No.
			1	2	3	4	5			
	D.200841	Fillet, for wing aft of rear spar, port group ...	1							
	D.200842	Fillet, for wing aft of rear spar, starboard group	1							
7494	B.200840	Angle, for seal retaining, top port ...	1				L.72	MR/C	JB.2	
7495	B.200839	Angle, for seal retaining, top starboard ...	1				L.72	MR/C	JB.2	
2647	B.181499	Angle, for seal retaining, bottom port...	1				DTD.610	MR/C	JB.2	
2648	B.181500	Angle, for seal retaining, bottom starboard ...	1				DTD.610	MR/C	JB.2	
2649	A.188212	Angle, for seal retaining, top forward, port ...	1				DTD.610	MR/C	JB.2	
2650	A.188213	Angle, for seal retaining, top forward, starboard	1				DTD.610	MR/C	JB.2	
2651	A.188214	Angle, for seal retaining, bottom forward, port	1				DTD.610	MR/C	JB.2	
2652	A.188215	Angle, for seal retaining, bottom forward, starboard	1				DTD.610	MR/C	JB.2	
1027	D.179488/A	Fillet, top, removable, port ...	1				L.72	B.	JB.1	
1029	D.179488/C	Fillet, bottom, aft, removable, port ...	1				L.72	B.	JB.1	
6694	D.200841/A	Fillet, bottom, forward, removable, port ...	1				L.72	B.	JB.1	
6695	D.200841/B	Fillet, bottom, centre, removable, port ...	1				L.72	B.	JB.1	
1030	D.179489/A	Fillet, top, removable, starboard ...	1				L.72	B.	JB.1	
1032	D.179489/C	Fillet, bottom, aft, removable, starboard ...	1				L.72	B.	JB.1	
6696	D.200842/A	Fillet, bottom, forward, removable, starboard	1				L.72	B.	JB.1	
6697	D.200842/B	Fillet, bottom, centre, removable, starboard	1				L.72	B.	JB.1	
	C.200408	LANDING, FOR ACCESS PANEL TO HYDRAULIC RESERVOIR, FILLER, STARBOARD ONLY, SUB-ASSEMBLY								
7564	B.201068	Landing, group ...	1				L.72	MR/C		
	S5-325	Spring ...	1					C.		
	STD 915/A/18	Washer ...	2				DTD.610	MR/C	4	
2653	F.181992	Plate, nut, at rear spar ...	2				S.3	MR/C		
	C.222371	Plate, for rubber seal retaining, port ...	1				L.72			
	C.222372	Plate, for rubber seal retaining, starboard ...	1				L.72			
7565	F.201120	Socket, for drain tube, starboard only ...	1				S.3 & T.6	MR/C		
2654	A.182036	Trailing edge ...	2				L.33, L.51 or L.1	MR/C	JB.1	
	F.235347	Label, at refuelling selective switch (W.2411)	1				L.72			
	A.209237	Plate, mounting, for time switch refuelling indicators	1				L.72			
2655	C.180004	Member, top, at leading edge, port ...	1				DTD.610	MR/C	JB.2	
2656	C.180005	Member, top, at leading edge, starboard ...	1				DTD.610	MR/C	JB.2	
2657	C.180006	Member, bottom, at leading edge, port ...	1				DTD.610	MR/C	JB.2	
2658	C.180007	Member, bottom, at leading edge, starboard ...	1				DTD.610	MR/C	JB.2	
2659	C.178820	Mounting, for undercarriage wheel door hinge, port	1					MR/C	JB.2	
2660	C.178821	Mounting, for undercarriage wheel door hinge, starboard	1					MR/C	JB.2	
2661	C.180008	Rib, No. 1, at leading edge, top, port ...	1				DTD.610	MR/B	JB.2	
2662	C.180009	Rib, No. 1, leading edge, top, starboard ...	1				DTD.610	MR/B	JB.2	
2663	B.180010	Rib, No. 2, at leading edge, top, port (Pre Mod. 535)	1				DTD.610	MR/B	JB.2	
2664	B.180011	Rib, No. 2, at leading edge, top, starboard ... (Pre Mod. 535)	1				DTD.610	MR/B	JB.2	
	B.222750	Rib, No. 2, at leading edge, top, port (Mod. 535) ...	1				DTD.610	MR/B	JB.2	
	B.222751	Rib, No. 2, at leading edge top, starboard (Mod. 535)	1				DTD.610	MR/B	JB.2	
2665	B.180012	Rib, No. 3, at leading edge, top, port ...	1				DTD.610	MR/B	JB.2	
2666	B.180013	Rib, No. 3, at leading edge, top, starboard ...	1				DTD.610	MR/B	JB.2	
2667	B.180014	Rib, No. 1, at leading edge, bottom, port ...	1				DTD.610	MR/B	JB.2	
	F.173635	Bracket, port (Fr. 30.—)	1						JB.2	
	F.173636	Bracket, starb. (Fr. 30.—)	1						JB.2	
	F.173637	Bracket, port (Fr. 29.—)	1						JB.2	
	F.173638	Bracket, starb. (Fr. 29.—)	1						JB.2	
	F.173639	Bracket, port (Fr. 28.—)	1						JB.2	
	F.173640	Bracket, starb. (Fr. 28.—)	1						JB.2	
	A.180899	Bracket, port	1						JB.2	
	A.180900	Bracket, starb.	1						JB.2	

FUSELAGE—CENTRE PORTION

Ref. No.	Part No.	Description	No. Off					Material Specification	M.R. Class of Store	Place No.
			1	2	3	4	5			
2668	B.180015	Rib, No. 1, at leading edge, bottom, starboard ...						DTD.610	MR/B	JB.2
2669	B.180016	Rib, No. 2, at leading edge, bottom, port ...						DTD.610	MR/B	JB.2
2670	B.180017	Rib, No. 2, at leading edge, bottom, starboard ...						DTD.610	MR/B	JB.2
2671	B.180018	Rib, No. 3, at leading edge, bottom, port ...						DTD.610	MR/B	
2672	B.180019	Rib, No. 3, at leading edge, bottom, starboard ...						DTD.610	MR/B	
2673	B.180020	Rib, outboard, at leading edge ...						DTD.610	MR/B	JB.2
2674	B.180021	Rib, outboard, at leading edge ...						DTD.610	MR.B	JB.2
	D.204877-8	SEALING BETWEEN STUB WING AND WING, SUB-ASSEMBLY						—		JB.2
3847	A.196439	Pad, sealing, at trailing edge ...						Volcrepe T.L.S.	C.	JB.2
3848	A.196438	Strip, sealing, at leading edge ...						Volcrepe T.L.S.	C.	JB.2
32C/660	—	Strip, sealing, 1" wide x 3/8" thick... (D.196440/1, 4 & 5.D.196441/1 & D.204878/1 and 2)						Volcrepe	C.	
	STD 1509/12/018	Tube, distance, 1/4" o/d. x 20 S.W.G. x 0-18" long (Make from 30B/619)						T.4	MR/C	4
	D.201497-8	SKIN, COVERING, ASSEMBLY						—		
7875	C.216760	Fairing, outboard, port (undrilled) ...						DTD.610	B.	JB.1
7876	C.216761	Fairing, outboard, starboard (undrilled) ...						DTD.610	B.	JB.1
7496	A.205205	Landing, for fuel pipe access panel ...						L.72	MR/C	
2676	B.192636	Landing, forward, for stub-wing access panel, port						DTD.610	MR/C	JB.4
2677	B.192637	Landing, forward, for stub-wing, access panel, starboard						DTD.610	MR/C	JB.4
2678	B.192640	Landing, aft, for stub-wing access panel, port						DTD.610	MR/C	JB.4
2679	B.192641	Landing, aft, for stub-wing access panel, starboard						DTD.610	MR/C	JB.4
2680	B.192638	Landing, inboard, for stub-wing access panel, port						DTD.610	MR/C	JB.4
2681	B.192639	Landing, inboard, for stub-wing access panel, starboard						DTD.610	MR/C	JB.4
7497	A.209626	Landing, for hydraulic connection access door						L.72	MR/C	
1821	C.182596	Nosing, top, port ...						—	B.	JB.1
1822	C.182597	Nosing, top, starboard ...						—	B.	JB.1
1823	C.182598	Nosing, bottom, port ...						—	B.	JB.1
1824	C.182599	Nosing, bottom, starboard ...						—	B.	JB.1
	C.222752	PANEL, ACCESS TO STUB-WING, PORT ASSEMBLY (Mod. 535)						—		
	C.222753	PANEL, ACCESS TO STUB-WING, STARBOARD, ASSEMBLY (Mod. 535)						—		
9418	B.216139	Panel, access, port ...						—		
9419	B.216140	Panel, access, starboard ...						—		
	E.185686	Wing fillet angle, port								JB.2
	E.185687	Wing fillet angle, starb.								JB.2
	E.185688	Wing fillet angle, port								JB.2
	E.185689	Wing fillet angle, starb.								JB.2
	E.185690	Wing fillet angle, port								
	E.185691	Wing fillet angle, starb.								

FUSELAGE—CENTRE PORTION

Ref. No.	Part No.	Description	No. Off					Material Specification	M.R. Class of Score	Plate No.
			1	2	3	4	5			
6698	A.205206	Panel, access to fuel pipe						L.72	C.	JB.1
1038	D.188722	Panel, access to pin-joint at main spar, top, port						DTD.610	B.	JB.1
1039	D.188723	Panel, access to pin joint at main spar, top, starboard						DTD.610	B.	JB.1
5818	C.200861	Panel, access to pressure relief valve, port ...						L.72	C.	JB.1
5819	C.200862	Panel, access, to pressure relief valve starboard						L.72	C.	JB.1
4723	F.199630	Panel, access to undercarriage hydraulic connection						—	MR/C	JB.1
1040	D.188724	Panel, access to pin joint at main spar, bottom port						DTD.610	B.	JB.1
1041	D.188725	Panel, access to pin joint at main spar, bottom, starboard						DTD.610	B.	JB.1
7839	D.211964-S1	Panel, access, on underside of stub-wing, port group (Mod. 231)						DTD.610	B.	JB.1
7988	6F-F+W-824465E	Door, access to armament safety plug group (Mod. 231)						—	B.	JB.1
	6F-F+W-806435E	Rahmen						—		
	F.211961	Packing						L.72		
1781	D.192980	Panel, access, on underside of stub-wing, starboard						DTD.610	B.	JB.5
6699	A.209625	Panel, access to hydraulic connections ...						L.72	C.	JB.1
4724	A.199629	Plate, reinforcing, for undercarriage hydraulic connections						DTD.610	MR/C	JB.2
4725	F.196550	Retainer, for sealing, port						DTD.610	MR/C	
4726	F.196551	Retainer, for sealing, starboard						DTD.610	MR/C	
1807	D.182688/1	Skin, top, nose spar to main spar, inboard, port						DTD.610	B.	JB.1
	D.182688/22	Skin, top, nose spar to main spar, outboard, port						L.72	B.	JB.1
1809	D.182688/3	Skin, forward of nose spar, top, port						DTD.610	B.	JB.1
1810	D.182688/4	Skin, forward, of nose spar, top, port ... (Pre Mod. 535)						DTD.610	B.	JB.1
	D.200965/2	Skin, forward of nose spar, top, port (Mod. 535)						DTD.610	B.	
1811	D.182688/5	Skin, forward of nose spar, top, port						DTD.610	B.	JB.1
1812±	D.182688/6	Skin, top, aft of main spar, port						L.72	B.	JB.1
2682	D.182688/9	Skin, forward of nose spar, bottom, port ...						DTD.610	MR/B	JB.1
2683	D.182688/10	Skin, forward of nose spar, bottom, port ...						DTD.610	MR/B	JB.1
2684	D.182688/11	Skin, forward of nose spar, bottom, port ...						DTD.610	MR/B	JB.1
1813±	D.182688/15	Skin, bottom, inboard of wheel door, port ...						DTD.610	B.	JB.1
1807	D.182689/1	Skin, top, nose spar to main spar, inboard, starboard (Supplied as D.182688/1 for spares)						DTD.610	B.	JB.1
1815	D.182689/22	Skin, top, nose spar to main spar, outboard, starboard						L.72	B.	JB.1
1816	D.182689/3	Skin, forward of nose spar, top, starboard ...						DTD.610	B.	JB.1
1817	D.182689/4	Skin, forward of nose spar, top, starboard ... (Pre Mod. 535)						DTD.610	B.	JB.1
	D.200966/2	Skin, forward of nose spar, top, starboard ... (Mod. 535)						DTD.610	B.	
1818	D.182689/5	Skin, forward of nose spar, top, starboard ...						DTD.610	B.	JB.1
1819	D.182689/6	Skin, top, aft of main spar, starboard						L.72	B.	JB.1
2685	D.182689/9	Skin, forward of nose spar, bottom, starboard						DTD.610	MR/B	JB.1
2686	D.182689/10	Skin, forward of nose spar, bottom, starboard						DTD.610	MR/B	JB.1
2687	D.182689/11	Skin, forward of nose spar, bottom, starboard						DTD.610	MR/B	JB.1
1820	D.182689/15	Skin, bottom, inboard of wheel door, starboard						DTD.610	B.	JB.1
	C.185663	Reinforcing plate, top, port								JB.1
	C.185664	Reinforcing plate, top, starboard								JB.1
	D.201133	Outer end rib, port								JB.1
	D.201134	Outer end rib, starboard								JB.1
	E.182687/1	innere Beplankung, oben vorn rechts						—		JB.1
	E.182687/4	innere Beplankung, unten vorn rechts						—		JB.1
	E.182686/1	innere Beplankung, oben vorn links						—		JB.1
	E.182686/4	innere Beplankung, unten vorn links						—		JB.1

FUSELAGE-CENTRE PORTION

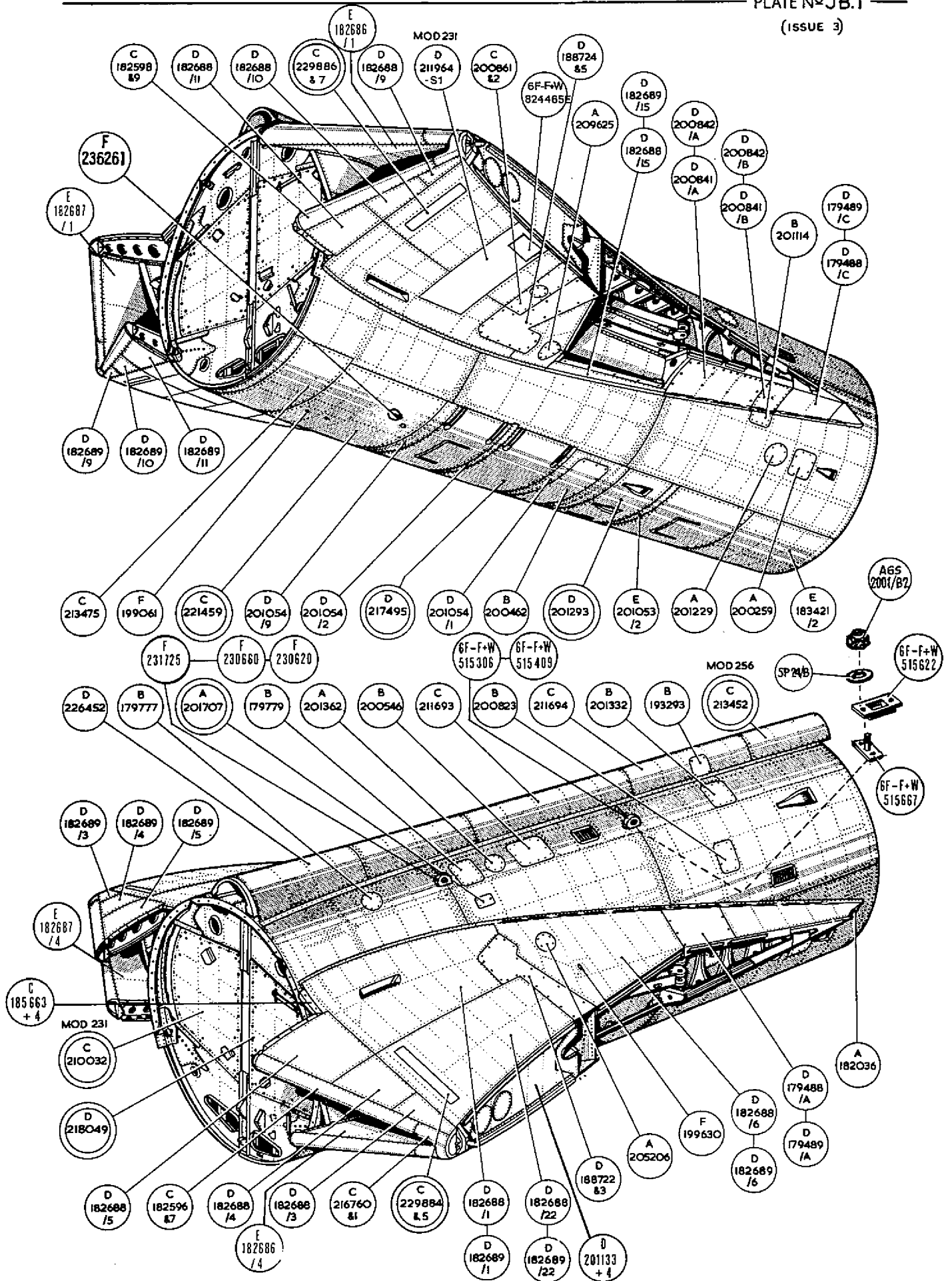
Ref. No.	Part No.	Description					No. Off.	Material Specification	M.R. Class of Score	Plate No.
		1	2	3	4	5				
	D.202637-8									
	F.231548									
9386	C.224514						S.510			
9770	C.229884							B.	JB.1	
Ae.A.1438	6F-BAMF-C-12071-P1							B.		
x 9387	C.224515						Sp. Stl.	C.	JB.4	
9771	C.229885							B.	JB.1	
Ae.A.1438	6F-BAMF-C-12071-P1							B.	JB.1	
	6F-BAMF-C-12071-P2									
	D.201942-3									
	F.231548									
9388	C.224516									
9772	C.229886							B.	JB.1	
Ae.A.1438	6F-BAMF-C-12071-P1							B.	JB.1	
	6F-BAMF-C-12071-P2									
9389	C.224517						Sp. Stl.	C.	JB.4	
9773	C.229887						Sp. Stl.	C.	JB.4	
Ae.A.1438	6F-BAMF-C-12071-P1									
x	A.226244									
	A.226245									
	A.226246									
	A.226247									
	A.226248									
	A.226249									
	A.226250									
	A.226251									
	A.215361									
	A.215362									
	A.215363									
	A.215364									
	A.231616									
	A.231617									
	A.231618									
	A.231619									
Ae.A.1438	6F-BAMF-C-12071-P2									
	Spring , port									
						je 1	Sp. Stl.	C.	JB.4	

FUSELAGE—CENTRE PORTION

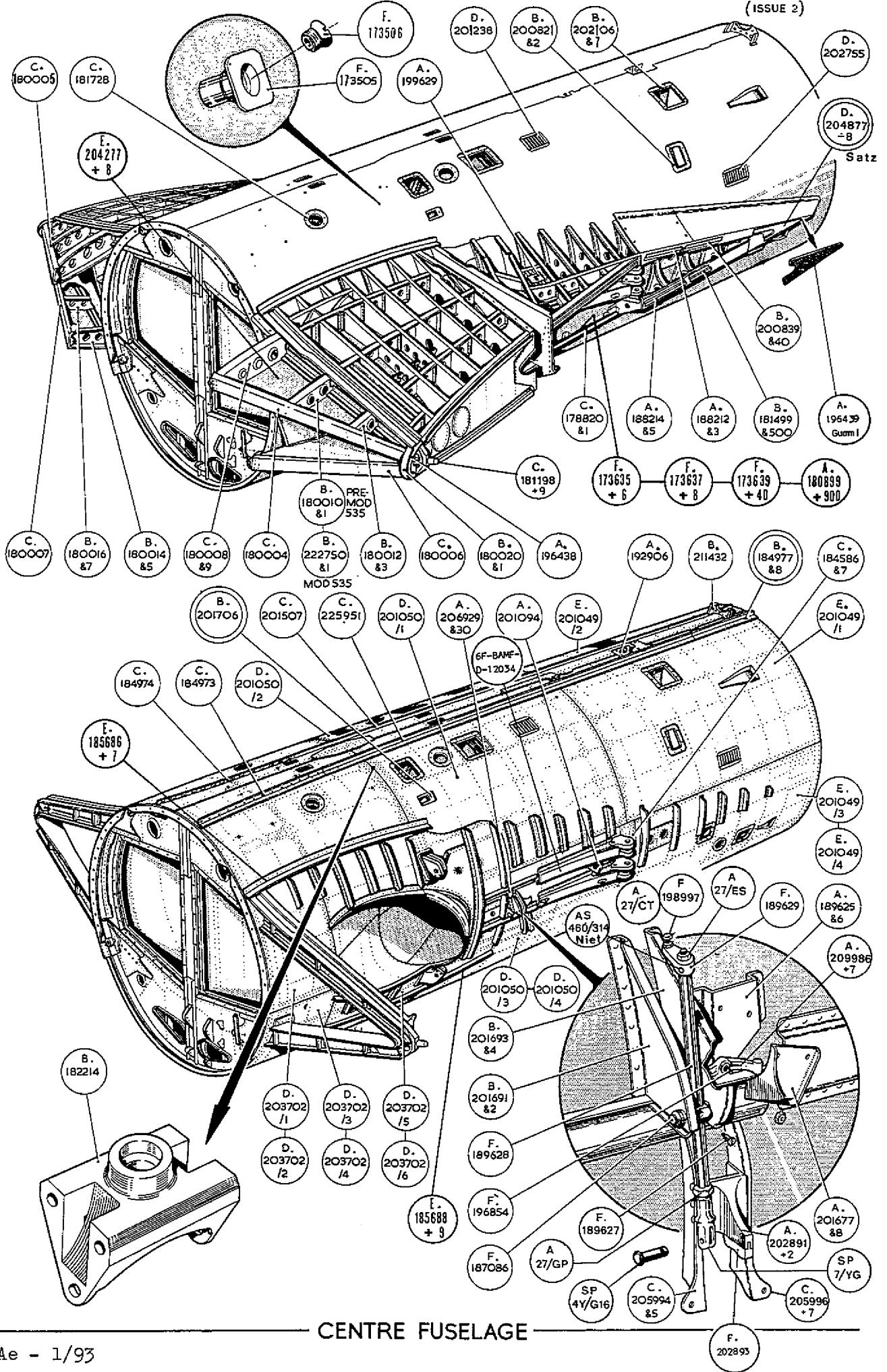
Ref. No.	Part No.	Description					No. Off	Material Specification	M.R. Class of Store	Plate No.
		1	2	3	4	5				
SUMMARY OF STOCK ITEMS										
	A25.1.B	Bolt,	4	B.A.
	A25.1.B	Bolt,	4	B.A.
	A25.1.C	Bolt,	2	B.A.
	A25.1.C	Bolt,	2	B.A.
	A25.2.C	Bolt,	2	B.A.
	A25.3.C	Bolt,	2	B.A.
	A25.4.C	Bolt,	2	B.A.
	A25.5.C	Bolt,	2	B.A.
	A26.6.C	Bolt,	2	B.A.
	A25.7.C	Bolt,	2	B.A.
	A25.8.C	Bolt,	2	B.A.
	A25.13.C	Bolt,	2	B.A.
	A25.14.C	Bolt,	2	B.A.
	A25.15.C	Bolt,	2	B.A.
	A25.19.C	Bolt,	2	B.A.
	A25.23.C	Bolt,	2	B.A.
	A25.3.E	Bolt,	$\frac{1}{2}$ "	B.S.F.
	A25.4.E	Bolt,	$\frac{1}{4}$ "	B.S.F.
	A25.7.E	Bolt,	$\frac{1}{4}$ "	B.S.F.
	A25.8.E	Bolt,	$\frac{1}{4}$ "	B.S.F.
	A25.12.E	Bolt,	$\frac{1}{2}$ "	B.S.F.
	A25.16.E	Bolt,	$\frac{1}{2}$ "	B.S.F.
	A25.17.E	Bolt,	$\frac{1}{2}$ "	B.S.F.
	A25.18.E	Bolt,	$\frac{1}{2}$ "	B.S.F.
	A25.19.E	Bolt,	$\frac{1}{2}$ "	B.S.F.
	A25.7.G	Bolt,	$\frac{5}{16}$ "	B.S.F.
	A25.8.G	Bolt,	$\frac{5}{16}$ "	B.S.F.
	A25.17.G	Bolt,	$\frac{5}{16}$ "	B.S.F.
	A25.31.G	Bolt,	$\frac{5}{16}$ "	B.S.F.
	A25.38.G	Bolt,	$\frac{5}{16}$ "	B.S.F.
	A30.4.C	Bolt,	2	B.A.
	A30.4.E	Bolt,	$\frac{1}{4}$ "	B.S.F.
	A30.5.E	Bolt,	$\frac{1}{4}$ "	B.S.F.
	A30.6.E	Bolt,	$\frac{1}{4}$ "	B.S.F.
	A30.7.G	Bolt,	$\frac{5}{16}$ "	B.S.F.
	A30.8.J	Bolt,	$\frac{3}{8}$ "	B.S.F.
	A30.9.J	Bolt,	$\frac{3}{8}$ "	B.S.F.
	A30.11.J	Bolt,	$\frac{3}{8}$ "	B.S.F.
	A30.12.J	Bolt,	$\frac{3}{8}$ "	B.S.F.
	A57.1.E	Bolt,	$\frac{1}{4}$ "	B.S.F.
	A47.2.E	Bolt,	$\frac{1}{4}$ "	B.S.F.
	AGS.571/505	Bolt,	$\frac{5}{16}$ "	B.S.F.
	A57.18.G	Bolt,	$\frac{5}{16}$ "	B.S.F.
	A57.25.G	Bolt,	$\frac{5}{16}$ "	B.S.F.
	AS.1242.1B	Bolt,	4	B.A.
	AS.1242.3B	Bolt,	4	B.A.
	AS.1242.4B	Bolt,	4	B.A.
	AS.1242.1C	Bolt,	2	B.A.
	AS.1242.2C	Bolt,	2	B.A.
	AS.1242.3C	Bolt,	2	B.A.
	AS.1242.4.C	Bolt,	2	B.A.
	AS.1242.7.C	Bolt,	2	B.A.
	AS.1242.23C	Bolt,	2	B.A.
	AS.1242.3E	Bolt,	$\frac{1}{2}$ "	B.S.F.
	AS.1242.19E	Bolt,	$\frac{1}{2}$ "	B.S.F.
	AS.1242.20E	Bolt,	$\frac{1}{2}$ "	B.S.F.
	AS.1248.1C	Bolt,	2	B.A.
	AS.1248.1C	Bolt,	2	B.A.
	AS.1248.2C	Bolt,	2	B.A.
	AS.1248.23C	Bolt,	2	B.A.

FUSELAGE—CENTRE PORTION

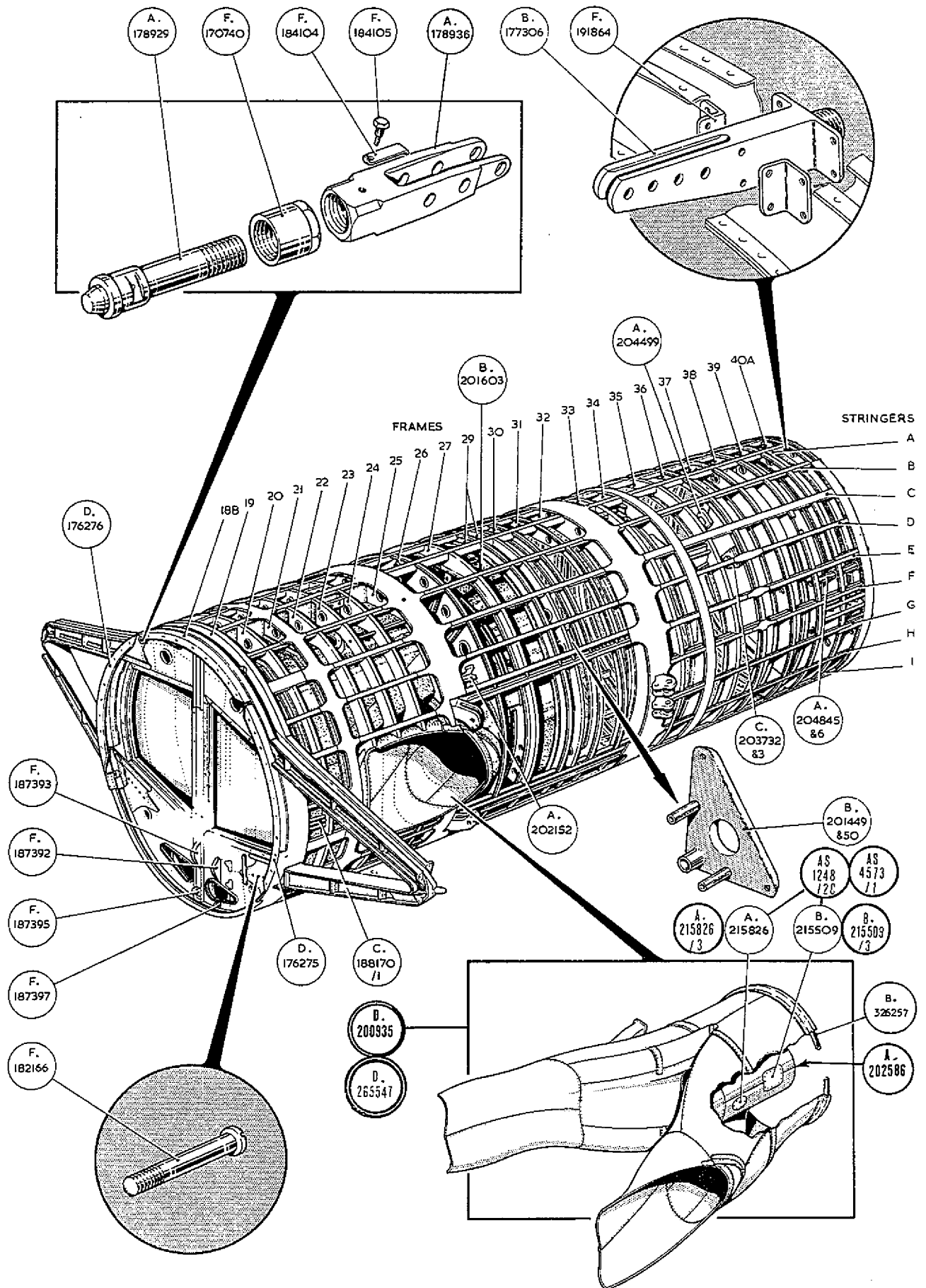
Ref. No.	Part No.	Description					No. Off	Material Specification	M.R. Class of Store	Plate No.
		1	2	3	4	5				
SUMMARY OF STOCK ITEMS										
	AS.1242.4B	Bolt,	4	B.A.
	AS.1242.6B	Bolt,	4	B.A.
	AS.1242.1C	Bolt
	AS.1242.2C	Bolt
	A24.E.P.	Nut,	$\frac{1}{4}$ "	B.S.F.
	A24.J.P.	Nut,	$\frac{3}{8}$ "	B.S.F.
	A24.L.P.	Nut,	$\frac{1}{16}$ "	B.S.F.
	A27.B.T.	Nut,	4	B.A.
	A27.C.P.	Nut,	2	B.A.
	A27.C.T.	Nut,	2	B.A.
	A27.E.P.	Nut,	$\frac{1}{4}$ "	B.S.P.
	A27.E.T.	Nut,	$\frac{1}{4}$ "	B.S.F.
	A27.G.P.	Nut,	$\frac{5}{16}$ "	B.S.F.
	A27.N.P.	Nut,	$\frac{1}{2}$ "	B.S.F.
	A27.T.P.	Nut,	$\frac{3}{8}$ "	B.S.F.
	AGS.572.A.P.	Nut,	$\frac{1}{4}$ "	B.S.F.
	AGS.572.C.P.	Nut,	$\frac{3}{16}$ "	B.S.F.
	A58.J.T.	Nut,	$\frac{3}{8}$ "	B.S.F.
	AGS.2001/B1	Nut,	4	B.A.
	AGS.2001/C1	Nut,	2	B.A.
	AGS.2001.E.1	Nut,	$\frac{1}{4}$ "	B.S.F.
	AGS.2001.G.1	Nut,	$\frac{5}{16}$ "	B.S.F.
	AGS.2002/B1	Nut,	4	B.A.
	AGS.2002/C1	Nut,	2	B.A.
	AGS.2007/C1	Nut,	2	B.A.
	AGS.2008/B1	Nut,	4	B.A.
	AGS.2008/C1	Nut,	2	B.A.
	AGS.2013/C11	Nut,	2	B.A.
	AGS.2018/C1	Nut,	2	B.A.
	AGS.2019/B1	Nut,	4	B.A.
	AGS.2019/C1	Nut,	2	B.A.
	AGS.2019.E.1	Nut,	$\frac{1}{4}$ "	B.S.F.
	AGS.113/C	Nut,	wing
	A32.B10	Screw,	4	B.A.
	A32.B12	Screw,	4	B.A.
	A32.C14	Screw,	2	B.A.
	SP.13.C	Washer,	2	B.A.
	SP.15.B	Washer,	4	B.A.
	SP.15.C	Washer,	2	B.A.
	SP.15.E	Washer,	$\frac{1}{4}$ "	dia.
	SP.15.G	Washer,	$\frac{5}{16}$ "	dia.
	SP.15.J	Washer,	$\frac{3}{8}$ "	dia.
	SP.15.L	Washer,	$\frac{7}{16}$ "	dia.
	SP.15.N	Washer,	$\frac{1}{2}$ "	dia.
	SP.16.C	Washer,	2	B.A.
	SP.16.E	Washer,	$\frac{1}{4}$ "	dia.
	SP.16.G	Washer,	$\frac{5}{16}$ "	dia.
	SP.16.J	Washer,	$\frac{3}{8}$ "	dia.
	SP.16.Q-	Washer,	$\frac{5}{8}$ "	dia.
	AGS.162/B	Washer,	4	B.A.

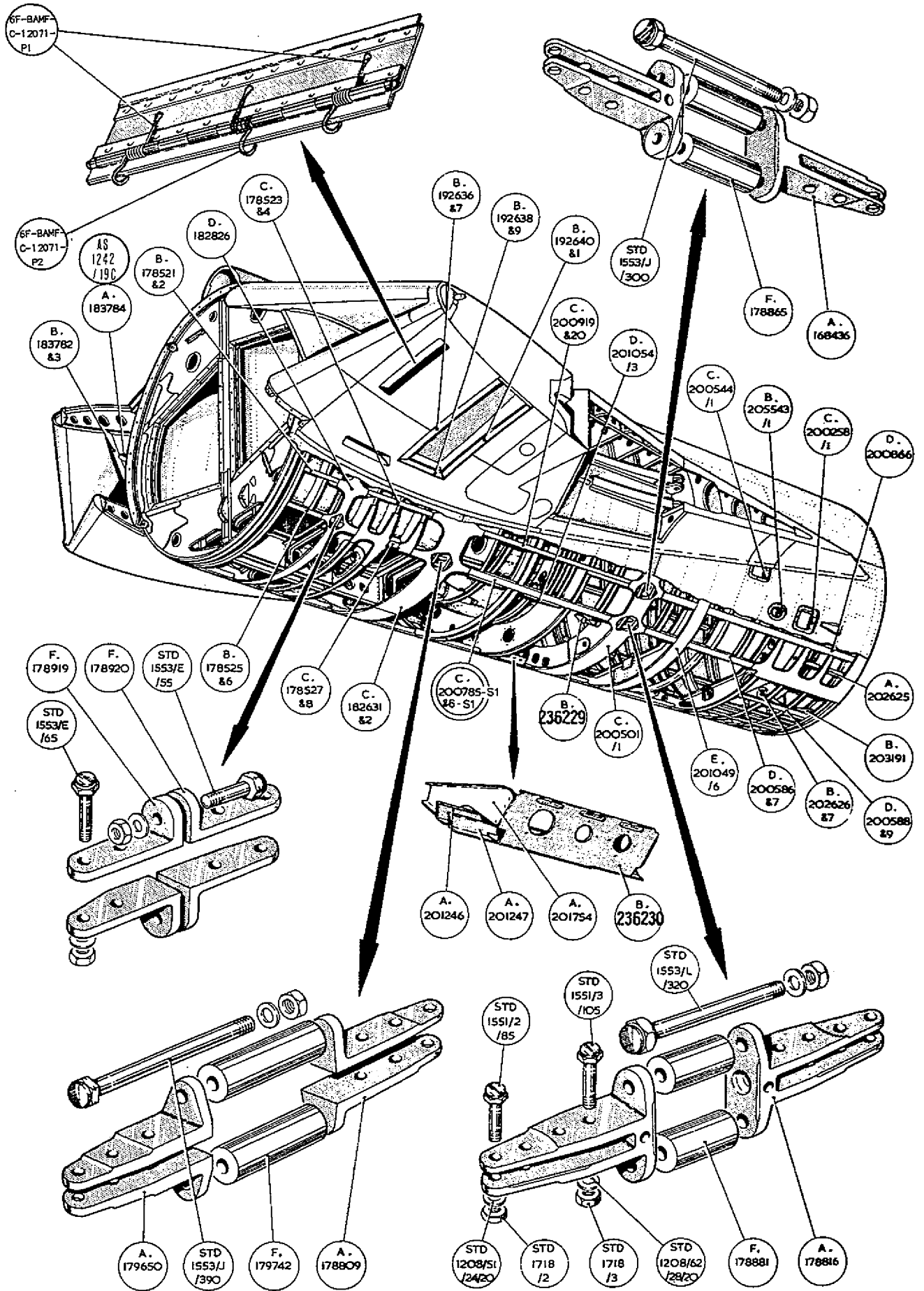


CENTRE FUSELAGE

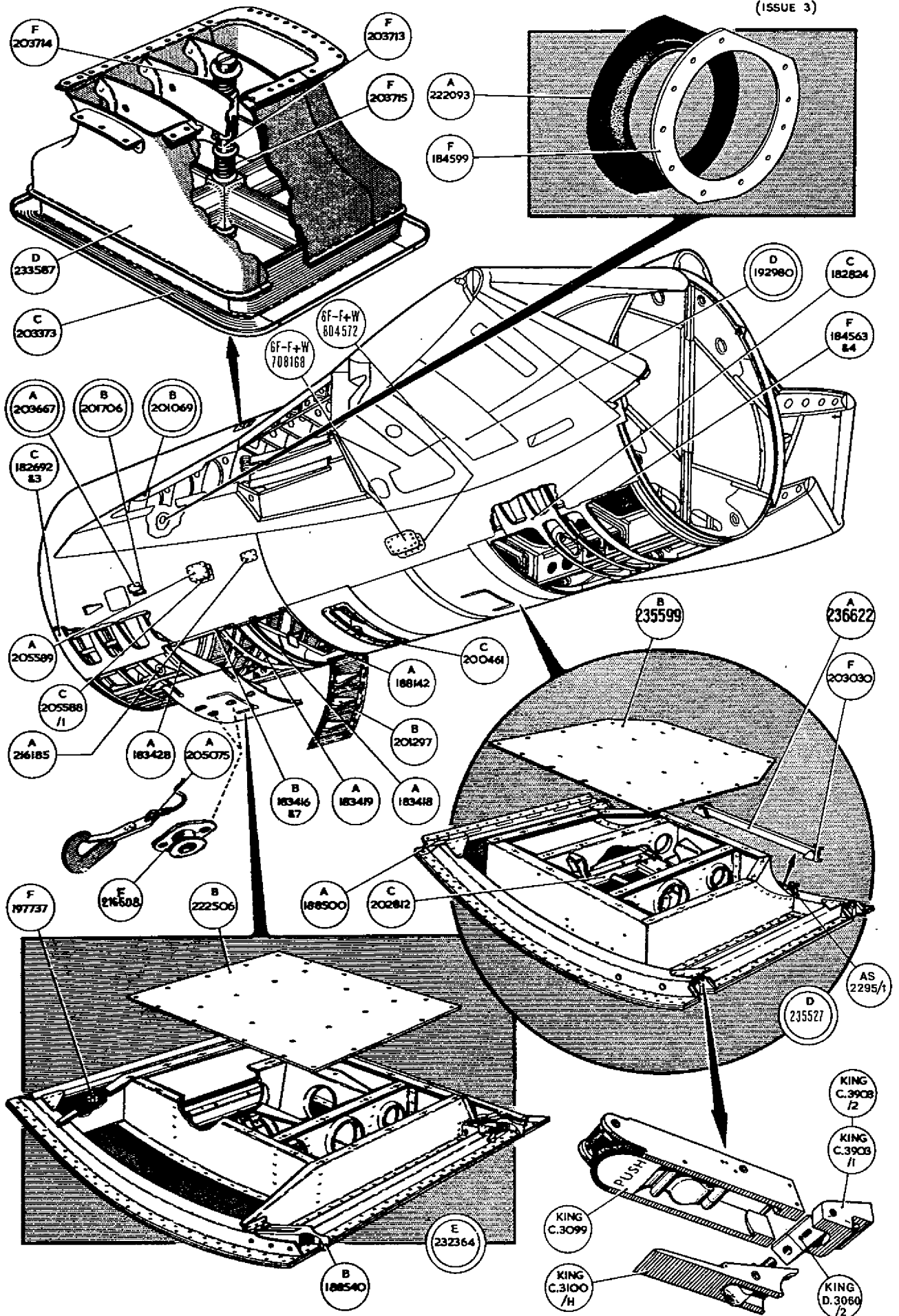


CENTRE FUSELAGE

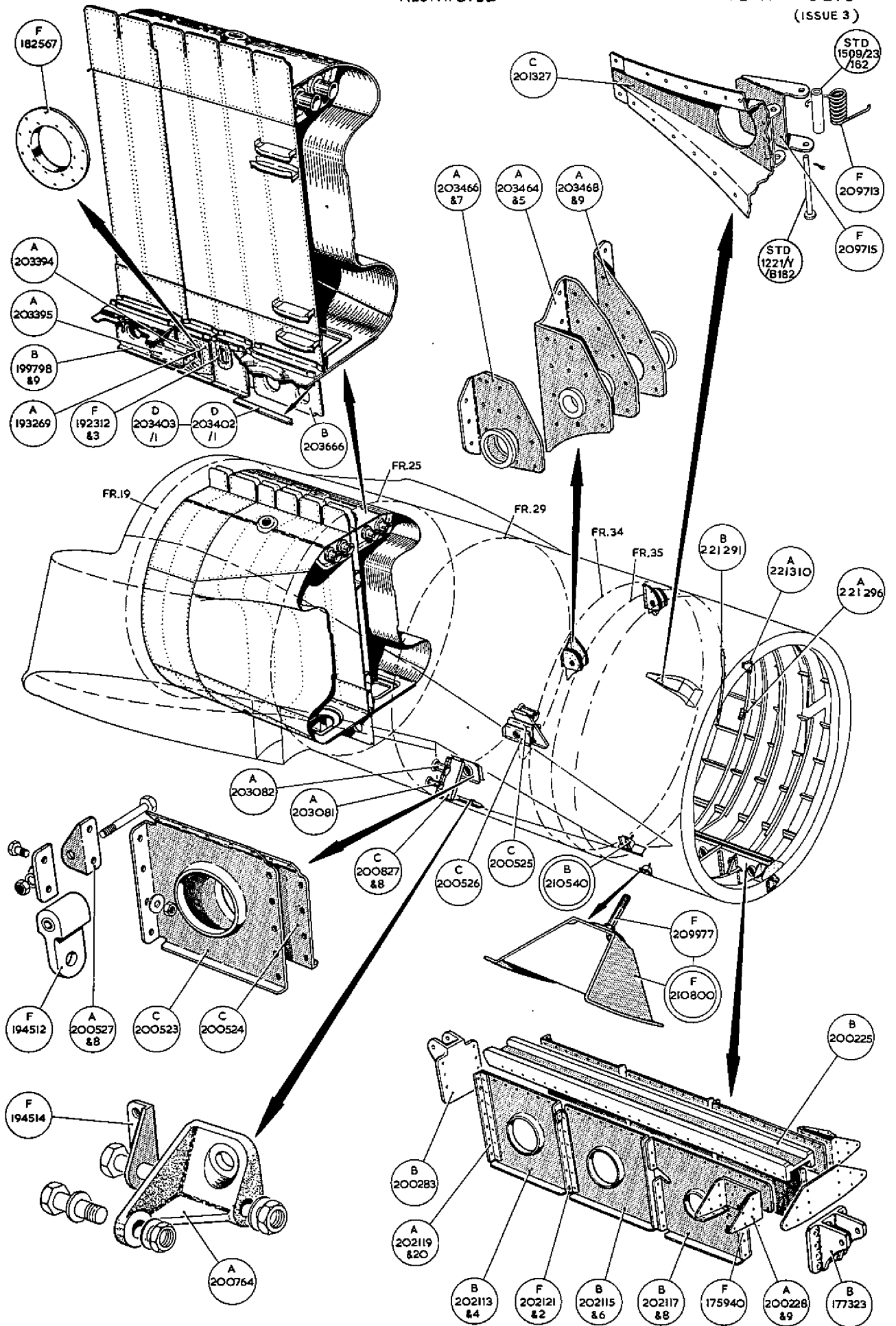




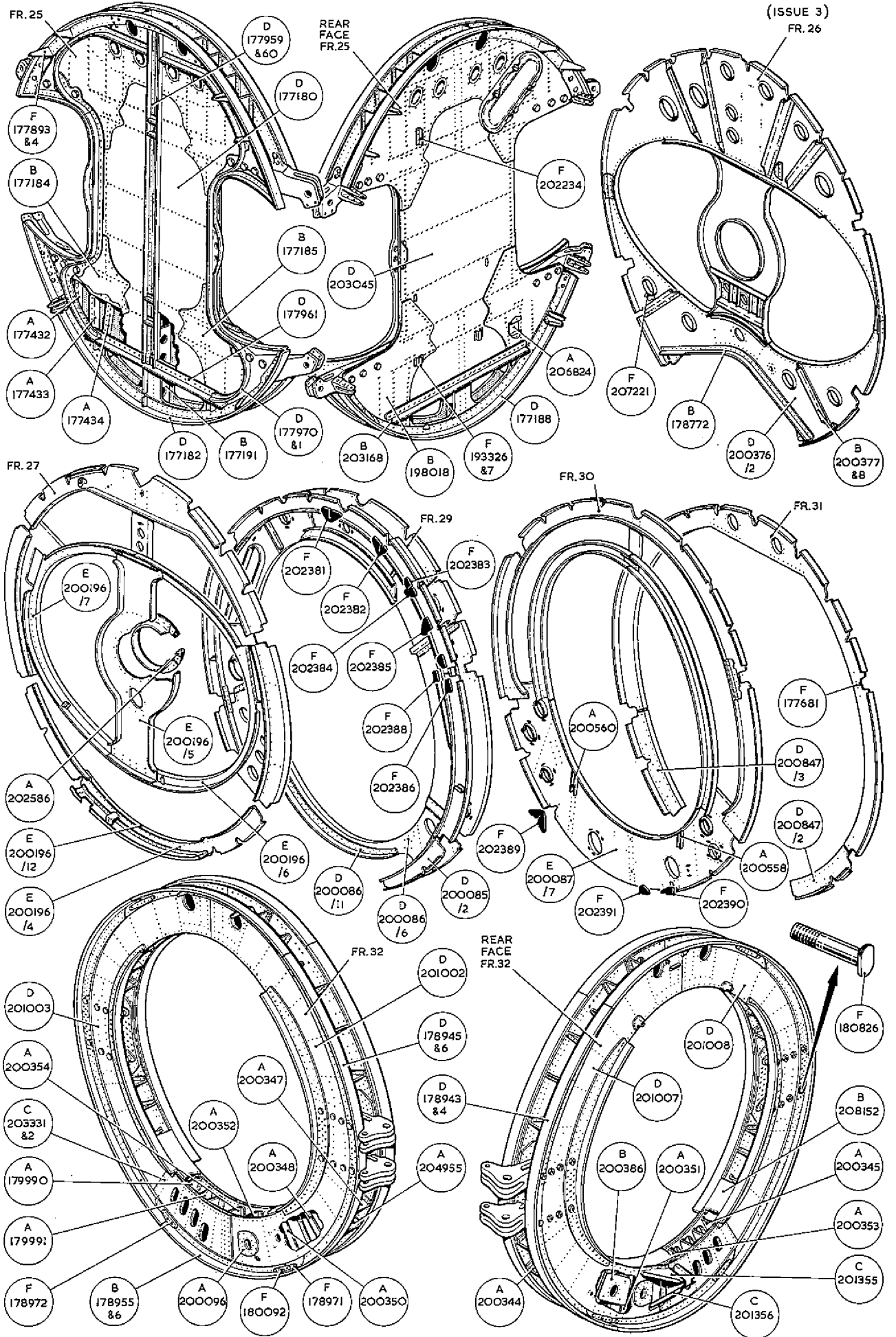
CENTRE FUSELAGE



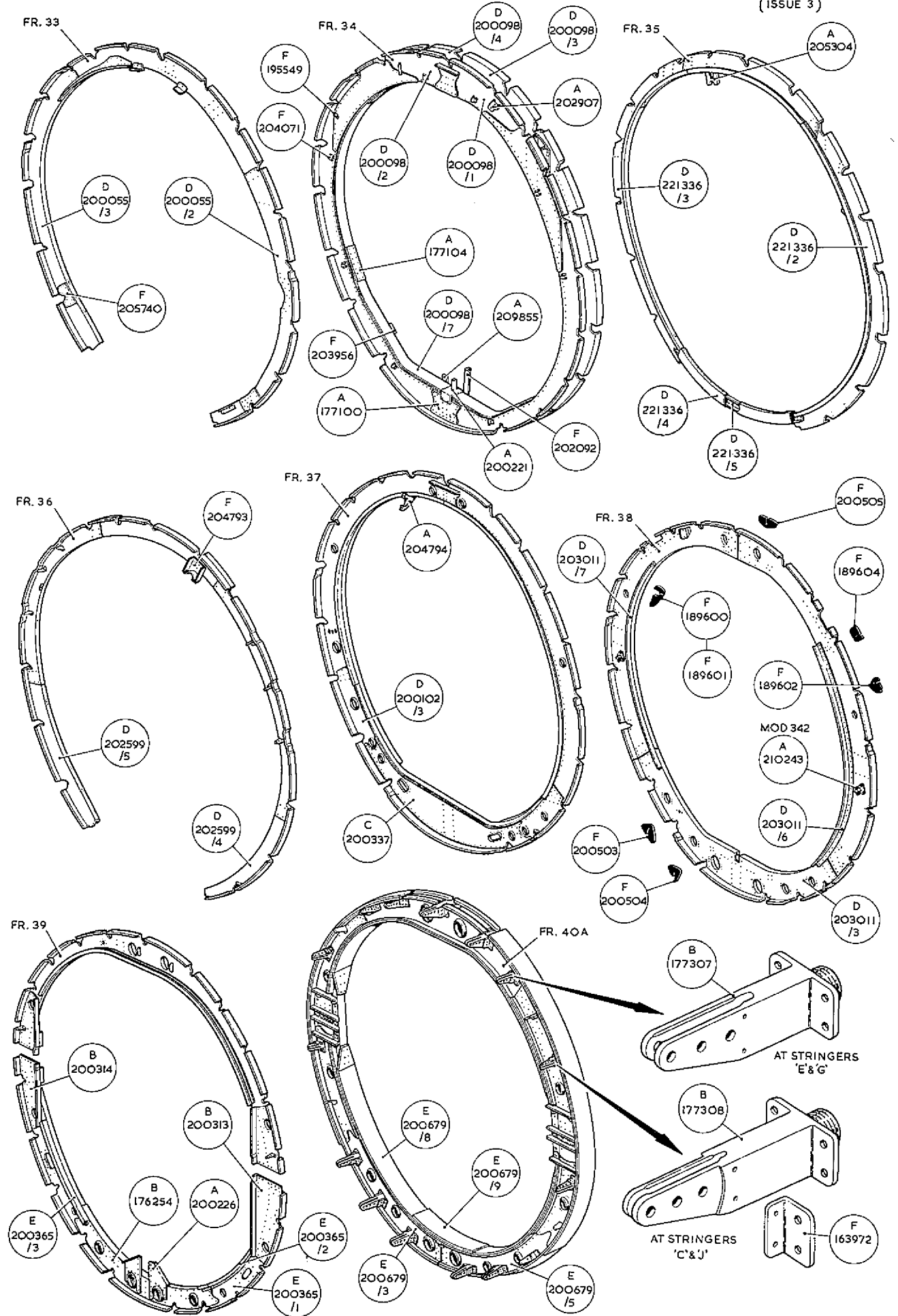
CENTRE FUSELAGE



CENTRE FUSELAGE



CENTRE FUSELAGE



This file was downloaded
from the RTFM Library.

Link: www.scottbouch.com/rtfm

Please see site for usage terms,
and more aircraft documents.

