

POWER INSTALLATION-ENGINE

| Ref. No. | Part No. | Description | No. OF | | | | | Material Specification | M.R. Class of Store | Plate No. |
|---------------------------|----------------------------|--|--------|---|---|---|-------------|------------------------|---------------------|-----------|
| | | | 1 | 2 | 3 | 4 | 5 | | | |
| | E.204297 | ENGINE INSTALLATION (AVON MK. 203), ASSEMBLY | | | | | | | | |
| 8377 | B.207415 STD 853/18 | Cable, starter, ignition, group Clip, support, for fuel drain pipe (Local Manufacture) | 2 | | | | — DTD.39 | B. MR/C | LC.1 | |
| | D.202759 | DUCTS, VENTILATION, ASSEMBLY | | | | | | | | |
| 6358 | D.202818 | Duct, side, port | 1 | | | | S.3 | B. | LC.1 | |
| F4W Pkt.281 Ae.A. 1017 | 6359 D.202819 | Duct, side, starboard | 1 | | | | S.3 | B. | LC.1 | |
| | 6360 A.203479-S1 | Duct, lower, port | 1 | | | | S.3 | B. | LC.1 | |
| | 6361 A.203480-S1 | Duct, lower, starboard | 1 | | | | S.3 | B. | LC.1 | |
| | 6362 C.203477 | Duct, branch | 1 | | | | S.3 | B. | LC.1 | |
| | 6363 F.203482 SP 4Y/B25 | Washer, jointing Splintbolzen | 1 2 | | | | Klingerit | C. | LC.1 LC.1 | |
| | 4546 C.203564 | Engine Change Unit (Mk. 20301), group | 1 | | | | — | A. | | |
| | 4540 B.203478 | Adaptor, for compressor seal vent... .. | 1 | | | | Casting | B/ | LC.2 | |
| | 5222 A.204981 | Bracket, lower support, group | 1 | | | | — | | | |
| | 5226 F.204585 | Block, mounting | 2 | | | | L.65.C | C. | LC.2 | |
| | 5225 F.204586 | Bracket | 1 | | | | L.72 | MR/C | | |
| | 5221 A.204982 | Bracket, upper support, group | 1 | | | | — | — | | |
| | 5223 F.204977 | Clip, half | 1 | | | | S.3 | C. | LC.2 | |
| | 5224 F.204978 | Clip, half | 1 | | | | S.3 | C. | LC.2 | |
| | 4539 A.207643 | Connection, gun heating | 1 | | | | Casting | C. | LC.2 | |
| | 4537 B.203669 | Elbow, connection, for centrifugal breather | 1 | | | | BSS.885 | C. | LC.2 | |
| | 4535 D.201431 | Firewall, group | 1 | | | | DTD.171 | B. | LC.2 | |
| | F.201429 | Plate, joint | 2 | | | | DTD.171 | | | |
| | F.210430 | Plate, joint | 1 | | | | DTD.171 | | | |
| | Plessey-CK.12001 | Motor, starter, | 1 | | | | — | — | NQ.1 | |
| | Plessey-556-1-08886-S | Hose, air, flexible | 1 | | | | — | — | NQ.1 | |
| | Plessey-556-1-08885-Sk | Hose, fuel, flexible | 1 | | | | — | — | NQ.1 | |
| | 5234 F.207419 | Piece, packing | 1 | | | | S.3 | | | |
| | 5231 B.205041 | Pipe, flexible, fuel pressurising | 1 | | | | — | B. | | |
| | 5232 B.205042 | Pipe, flexible, cabin pressurising | 1 | | | | — | B. | LC.2 | |
| | 9608 C.230155-s1 | Pipe, fuel, inlet (Ae.A.Hu-PT-743) | 1 | | | | DTD.253 | B. | LC.2 | |
| | Dowty-GD.1308/1 | O-Ring | 1 | | | | — | — | LC.2 | |
| | King-C.5183 | King-Ventil | 1 | | | | — | — | LC.2 | |
| | AS 4726 | Verschlusskappe | 1 | | | | — | — | LC.2 | |
| | Dowty-GD.1307/B | Dichtung | 1 | | | | — | — | LC.2 | |
| | AS 3338 | Kettenhalter | 1 | | | | — | — | LC.2 | |
| | AS 3339 | Kettenhalter | 1 | | | | — | — | LC.2 | |
| | SP 834 | Ring zu Kette | 2 | | | | — | — | LC.2 | |
| | VE 56400 Pos. 6 | Kugellkette | 1 | | | | — | — | LC.2 | |
| | AGS 1135/A | Hohlschraube | 1 | | | | — | — | LC.2 | |
| | AGS 1129/A | Schwenkanschluss | 1 | | | | — | — | LC.2 | |
| | Dowty-GD.1307/A | Dichtung | 2 | | | | — | — | LC.2 | |
| | 9403 B.223730 R | Pipe, fuel, pressurising (Mod. EC.668)(Ae.A.T-6843) | 1 | | | | DTD.253 | B. | LC.2 | |
| | 5233 A.206532 | Plate, bearing | 1 | | | | DTD.171 | MR/C | | |
| | 4536 C.202398 | Seal, rubber | 1 | | | | Rubber | C. | LC.2 | |
| | D.200265 | ENGINE MOUNTING, ASSEMBLY | | | | | | | | |
| | 409 F.188580 | Ball, end | 2 | | | | BSS.369 | C. | LC.1 | |
| | 404 A.186359 | Bolt, eye | 2 | | | | Stamping | C. | LC.1 | |
| | A 57/17N | 6kt.-Bolzen | 2 | | | | — | — | LC.1 | |
| | SP 15/N | U-Scheibe | 2 | | | | — | — | LC.1 | |
| | A 58/NS | Kr.-Mutter | 2 | | | | — | — | LC.1 | |
| | SP 90/EB | Splint | 2 | | | | — | — | | |

POWER INSTALLATION-ENGINE

| Ref. No. | Part No. | Description | | | | | No. Off | Material Specification | M.R. Class of Store | Place No. |
|----------|------------------------|---|-----|-----|-----|-----|---------|------------------------|---------------------|-----------|
| | | 1 | 2 | 3 | 4 | 5 | | | | |
| 7164 | A.210610 | Bolt | ... | ... | ... | ... | 2 | S.99.B | C. | LC.1 |
| | STD 1551/5/145 | Bolt | ... | ... | ... | ... | 4 | S.99.B | C. | LC.1 |
| 6364 | A.193449 | Fork-end | ... | ... | ... | ... | 2 | S.99.B | B. | LC.1 |
| | STD 1716/L | Nut | ... | ... | ... | ... | 2 | H.T.S. | C. | LC.1 |
| | STD 1716/Q | Nut | ... | ... | ... | ... | 2 | H.T.S. | C. | LC.1 |
| | STD 1716/QL | Nut | ... | ... | ... | ... | 2 | H.T.S. | C. | LC.1 |
| | STD 1283/F | Shims | ... | ... | ... | ... | QR | DTD.610 | C. | LC.1 |
| | STD 1208/100/34/20 | Shims | ... | ... | ... | ... | QR | C.S.S. | C. | LC.1 |
| 408 | F.166531 | Turnbuckle | ... | ... | ... | ... | 2 | S.11 | C. | LC.1 |
| 9139 | A.201416 | Engine mounting rear, group | ... | ... | ... | ... | 2 | — | B. | LC.1 |
| 6366 | F.202688 | Bolt | ... | ... | ... | ... | 8 | DTD.331 | C. | LC.1 |
| | F.210607 | Schraubblüchse | ... | ... | ... | ... | 2 | — | — | LC.1 |
| | F.210608 | Spez.-Mutter | ... | ... | ... | ... | 2 | — | — | LC.1 |
| | F.211349 | U-Scheibe | ... | ... | ... | ... | n.B. | — | — | LC.1 |
| | C.203739 | JET PIPE, ASSEMBLY | ... | ... | ... | ... | — | — | — | — |
| | 6M-BR.40714A | Jet Pipe | ... | ... | ... | ... | 1 | — | A. | LD.2 |
| 9730† | B.231554 | Pipe, fuel, drain (Mod. 545) | ... | ... | ... | ... | 1 | DTD.253 | B. | LC.1 |
| | 6F-F+W-803357 | Pipe, turbine, drain | ... | ... | ... | ... | 1 | DTD.253 | B. | LC.1 |
| | AGS 1135/B | Hohlschraube | ... | ... | ... | ... | 1 | — | — | LC.1 |
| | AGS 1138/B | Al.-Dichtung | ... | ... | ... | ... | 2 | — | — | LC.1 |
| 6369† | A.209756 | Pipe, oil, cooler drain | ... | ... | ... | ... | 1 | DTD.253 | B. | LC.1 |
| — | C.209866 | SWITCH, PRESSURE, FOR FUEL INLET PIPE, ASSEMBLY | ... | ... | ... | ... | — | — | — | — |
| 6521 | F.208261 | Block, mounting | ... | ... | ... | ... | 1 | LFS.21 | C. | — |
| | STD 851/47 | Clip | ... | ... | ... | ... | 1 | DTD.610 | MR/C | 4 |
| | C.209866-S1 | Pipe | ... | ... | ... | ... | 1 | Stahl | B. | LC.1 |
| | Dowty-GD.1307-A | Seal, bonded | ... | ... | ... | ... | 3 | — | C. | — |
| | Thermal-Contr.-TP.1250 | Switch, pressure (Mod. 476) | ... | ... | ... | ... | 1 | — | A. | — |
| — | C.204348 | TRUNNION MOUNTING, REAR, ASSEMBLY | ... | ... | ... | ... | — | — | — | — |
| 6371 | A.204295 | Bolt | ... | ... | ... | ... | 2 | S.98.B | C. | LC.1 |
| 6372 | B.204293 | Trunnion, port | ... | ... | ... | ... | 1 | S.98.B | B. | LC.1 |
| 6373 | B.204294 | Trunnion, starboard | ... | ... | ... | ... | 1 | S.98.B | B. | LC.1 |
| — | B.203706 | VENT, CENTRIFUGAL BREATHER, ASSEMBLY | ... | ... | ... | ... | — | — | — | — |
| 1136 | A.186450 | Clamp, group | ... | ... | ... | ... | 1 | — | C. | LC.1 |
| 2723 | F.184931 | Bolt, eye | ... | ... | ... | ... | 1 | S.94.B | C. | — |
| 6526 | F.213079 | Nut, special | ... | ... | ... | ... | 1 | S.95 | C. | — |
| 2724 | F.185592 | Washer | ... | ... | ... | ... | 1 | DTD.364 | C. | — |
| 7974 | A.203705 | Pipe, vent | ... | ... | ... | ... | 1 | — | B. | LC.1 |
| 7975 | F.204998 | Ring, sealing | ... | ... | ... | ... | 1 | Rubber | C. | LC.1 |
| 7976 | F.204999 | Ring, sealing | ... | ... | ... | ... | 1 | Rubber | C. | LC.1 |

† For details see Piping Chart

POWER INSTALLATION—ENGINE

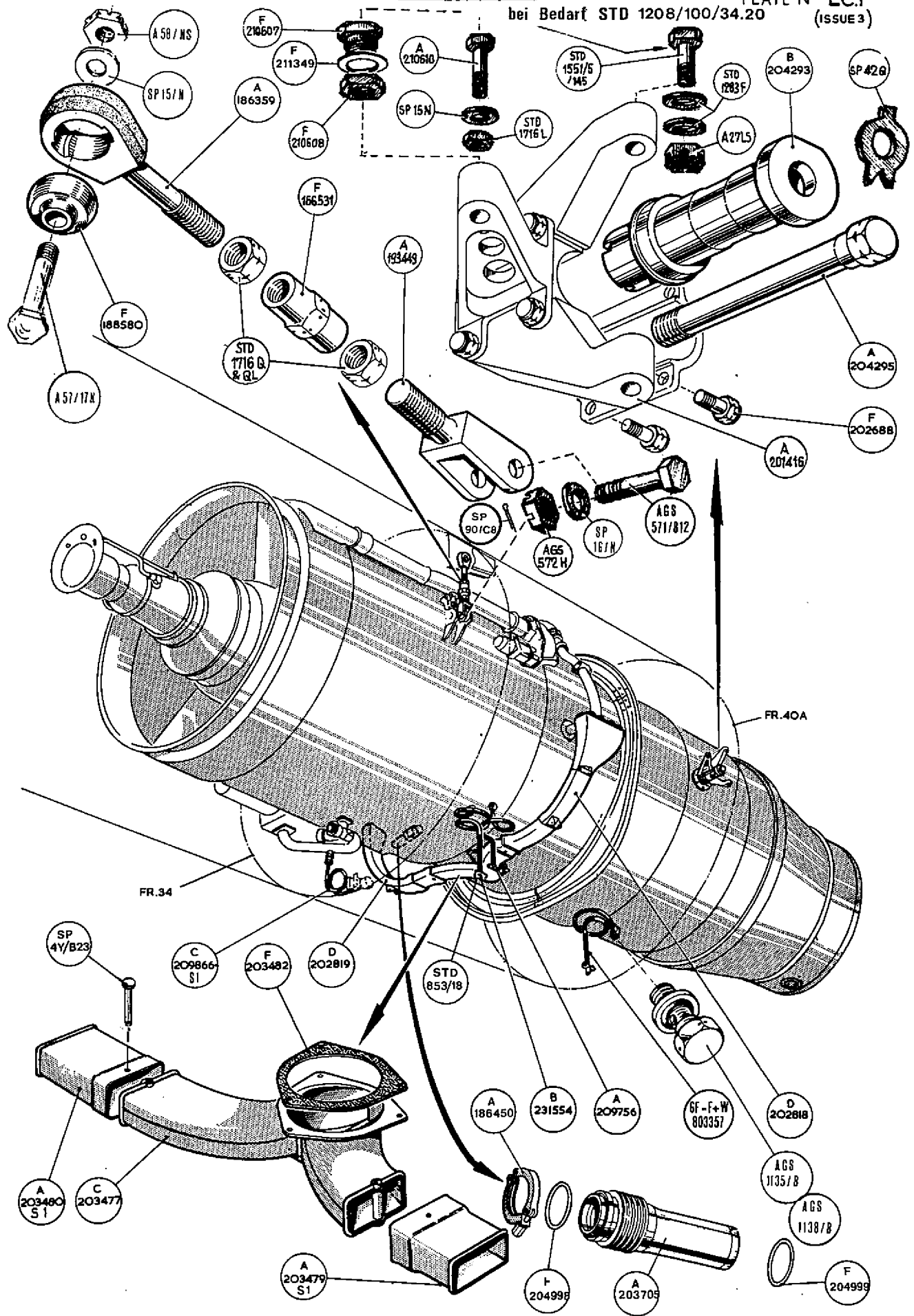
| Ref. No. | Part No. | Description | | | | | No. Off | Material Specification | M.R. Class of Store | Plate No. |
|-------------|---------------------|-------------------------------|-----|-----|-----|-----|---------|------------------------|---------------------|-----------|
| | | 1 | 2 | 3 | 4 | 5 | | | | |
| | | SUMMARY OF STOCK ITEMS | | | | | | | | |
| | AGS.1129A | Body, banjo | ... | ... | ... | ... | ... | — | — | — |
| | A.25.1.C | Bolt, 2 B.A. | ... | ... | ... | ... | ... | — | — | — |
| | A.25.4C | Bolt, 2 B.A. | ... | ... | ... | ... | ... | — | — | — |
| | A25.5.C | Bolt, 2 B.A. | ... | ... | ... | ... | ... | — | — | — |
| | A25.14.C | Bolt, 2 B.A. | ... | ... | ... | ... | ... | — | — | — |
| | A25.17.C | Bolt, 2 B.A. | ... | ... | ... | ... | ... | — | — | — |
| | AS.1242.1C | Bolt, countersunk, 2 B.A. | ... | ... | ... | ... | ... | — | — | — |
| | AGS.571.812 | Bolt, 1/2" B.S.F. | ... | ... | ... | ... | ... | — | — | — |
| | AGS.1135.A | Bolt, banjo | ... | ... | ... | ... | ... | — | — | — |
| | AGS1135.B | Bolt, banjo, 1/4" | ... | ... | ... | ... | ... | — | — | — |
| | AGS.1104.A | Cone, adaptor, 3/8" | ... | ... | ... | ... | ... | — | — | — |
| | SP.42.Q | Lockwasher, tab | ... | ... | ... | ... | ... | — | — | — |
| | AGS.2008.C1 | Nut, 2 B.A. | ... | ... | ... | ... | ... | — | — | — |
| | AGS.2002.C1 | Nut, 2 B.A. | ... | ... | ... | ... | ... | — | — | — |
| | AGS.2007.C1 | Nut, 2 B.A. | ... | ... | ... | ... | ... | — | — | — |
| | A27.C.P | Nut, 2 B.A. | ... | ... | ... | ... | ... | — | — | — |
| | AGS.572H | Nut, 1/2" B.S.F. | ... | ... | ... | ... | ... | — | — | — |
| | SP.4.YB23 | Pin, shackle, 3/16" | ... | ... | ... | ... | ... | — | — | — |
| | SP.9.C4 | Pin, split, 1/8" | ... | ... | ... | ... | ... | — | — | — |
| | SP.9.E10 | Pin, split, 3/16" | ... | ... | ... | ... | ... | — | — | — |
| | AGS.1138B | Washer, jointing | ... | ... | ... | ... | ... | — | — | — |
| | SP.10C | Washer, 2 B.A.... | ... | ... | ... | ... | ... | — | — | — |
| | SP.15.C | Washer, 2 B.A.... | ... | ... | ... | ... | ... | — | — | — |
| | SP.15.N | Washer, 1/2" | ... | ... | ... | ... | ... | — | — | — |
| | SP.47.C | Washer, 2 B.A.... | ... | ... | ... | ... | ... | — | — | — |
| Ae.A.T-6644 | SP 16/N SP 90/C8 | U-Scheibe Splint | | | | | | 2 2 | — — | — — |

RESTRICTED

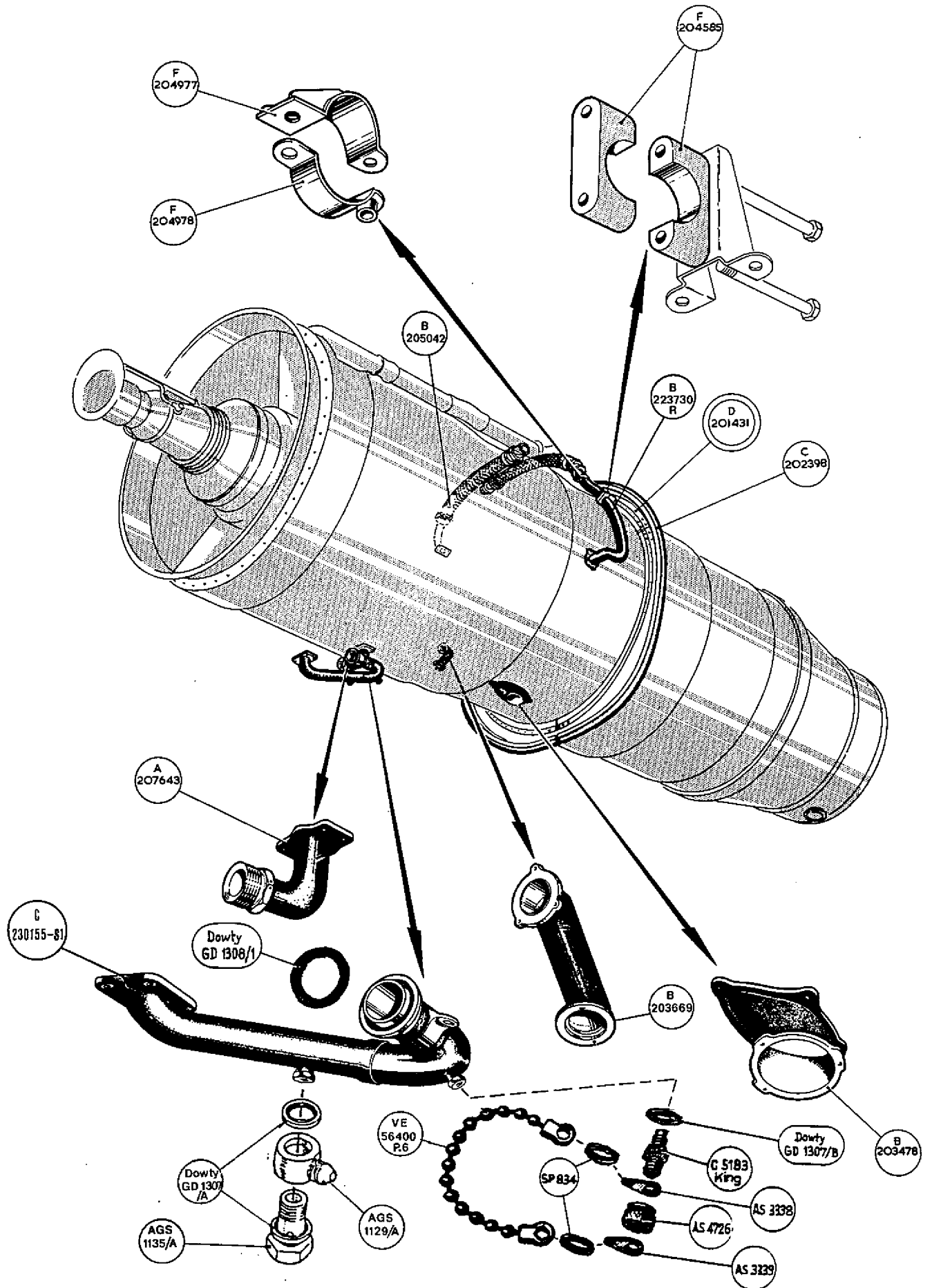
POWER INSTALLATION-ENGINE.

| Ref. No. | Part No. | Description | | | | | No. Off | Material Specification | M.R. Class of Score | Plate No. |
|----------|----------|-------------|---|---|---|---|---------|------------------------|---------------------|-----------|
| | | 1 | 2 | 3 | 4 | 5 | | | | |
| | | | | | | | | | | |

RESTRICTED



POWER INSTALLATION



ENGINE CHANGE UNIT

This file was downloaded
from the RTFM Library.

Link: www.scottbouch.com/rtfm

Please see site for usage terms,
and more aircraft documents.

