

SERVICES—PRESSURISATION FRONT FUSELAGE

Ref. No.	Part No.	Description	No. Off					Material Specification	M.R. Class of Score	Place No.
			1	2	3	4	5			
	C.203285	CABIN PRESSURISING AIR CONDITIONING, FRONT FUSELAGE, ASSEMBLY								
	E.182797	CABIN PRESSURISING EQUIPMENT, FORWARD OF FRAME 7, ASSEMBLY								
1370	F.187763	Cap, special, for cabin pressure static pipe union and gauge						DTD.364	C.	NM.2
	E.182797/1	Chain, for securing pipe connection caps, 4" long						Brass		
	Std.1682/12	Clip, securing ram air pipe and non-return valve guard						S.3 & T.26	C.	5
	Std.1166/8	Clip, supporting ram air pipe						S.3 & T.26	C.	4
2793	A.185675	Clip, supporting ram air pipe						S.3	MR/C	NM.1
27KD/510	Normalair-509930	Controller, pressure, type A						—	A.	
27KD/10	Normalair-504600	Connection, for ground pressurising, group						—	C.	
27KD/371	Normalair-506431	Washer, sealing						—	C.	
7850	C.215217	Duct, for ground pressurising, between frames 3 and 6, group						—	B.	NM.2
2790	F.179155	Nut-plate (supplied in halves)						S.3	MR/C	NM.2
1375	A.182801	Guard, for ground pressurising duct						BSS.265 and Brass Gauze	C.	NM.2
	A.183593	Guard, for cabin pressure static pipe						DTD.610		
	F.187482	Label, for cabin pressure static pipe						L.59		
	Std.1231/3	Lug, locking, for studs on frame 6 and ground pressure duct mounting, at frame 3						S.3	C.	4
	B.187402	Plate, locking, for hood seal and cabin pressure gauge connections						DTD.610		
2791	F.187586	Plate, clamp, for ram air pipe at frame 3						DTD.610	MR/C	NM.2
1378	F.187764	Pipe, between locking plate and pressure controller						DTD.253	C.	NM.1
2788	B.186838	Pipe, ram air, between frame 3 and non-return valve						L.54	MR/C	NM.1
2784	C.185829/16	Pipe, combined valve unit to connection at frame 6						DTD.253	MR/C	NM.1
2786	C.185829/18	Pipe, guard to connection, at frame 6						DTD.253	MR/C	
7076	B.209954/1	Pipe, connection, at frame 6 to tee-piece (Mod. 321)						DTD.253	MR/C	NM.1
7077	B.209954/2	Pipe, tee piece to pressure controller discharge connection (Mod. 321)						DTD.253	MR/C	
2792	F.187585	Ring, packing						Felt	MR/C	NM.2
	E.182797/2	Ring, "S" type						Brass		
27QA/139	Dowty-GD.1307/3	Seal, bonded						—	C.	
27QA/144	Dowty-GD.1307/A	Seal, bonded						—	C.	
27QA/145	Dowty-GD.1307/B	Seal, bonded						—	C.	
	Std.1744/12	Sleeve, sealing						Silicone Rubber	C.	5
1371	F.182800	Stud, at frame 6, securing guard and locking plate						S.95.B	C.	NM.2
1377	F.187120	Stud, for 2/15 combined valve unit						S.95.B	C.	NM.2
1369	A.187762	Union, flanged, at cabin pressure static pipe						DTD.364	C.	NM.2

† For details see Piping Chart

SERVICES—PRESSURISATION FRONT FUSELAGE

Ref. No.	Part No.	Description	No. Off					Material Specification	M.R. Class of Store	Plate No.	
			1	2	3	4	5				
6332	B.205529	Valve, air extractor, group (Mod. 209)						1	—	A.	NM.2
27KD/54	Normalair— 510250	Valve Unit, 2/15 combined type, complete with shroud No. 550662						1	—	A.	
1372	F.179156	Washer, tapered, at ground pressurising duct mounting						6	—	C.	NM.2
1373	F.179157	Washer, tapered, at ground pressurising duct mounting						2	LFS.21	C.	NM.2
1374	F.174892	Washer, sealing, at ground pressurising duct mounting						1	DTD.378A	C.	NM.2
1376	F.174891	Washer, sealing, at ground pressurising guard ...						1	DTD.378A	C.	NM.2
	A.184831	CABIN PRESSURISING EQUIPMENT, BETWEEN FRAMES 7 AND 13, ASSEMBLY						—	—		
	F.202881	Angle bracket, for hood seal connections ...						1	L.72		
5145	F.205189	Block, clamp (Mod. 209)						2	LFS.21	C.	4
7114	F.206498	Block, clamp (Mod. 209)						2	LFS.21	MR/C	
	Std.840/13	Clip, securing pipes, $\frac{7}{16}$ " wide \times 22 S.W.G. \times 1-3" long (Make from 30B/1433)						3	DTD.610	MR/C	4
	Std.840/33	Clip, securing pipes, $\frac{7}{16}$ " wide \times 22 S.W.G. \times 3-3" long (Make from 30B/1433)						1	DTD.610	MR/C	
2732	A.193578	Clip, securing feed pipe, at forward hood de-misting duct						2	DTD.610	MR/C	NM.2
	Std.841/13	Clip, $\frac{7}{16}$ " wide \times 22 S.W.G. \times 1-3" long						1	DTD.610	C.	4
	Std.850/22	Clip, $\frac{7}{16}$ " wide \times 22 S.W.G. \times 2-2" long (Make from 30B/1433)						2	DTD.610	MR/C	4
	Std.850/42	Clip, $\frac{7}{16}$ " wide \times 22 S.W.G. \times 4-2" long						1	DTD.610		
	Std.850/50	Clip, earthing, $\frac{7}{16}$ " wide \times 22 S.W.G. \times 5" long						8	DTD.610	C.	4
	Std.850/30	Clip, $\frac{7}{16}$ " wide \times 22 S.W.G. \times 3" long						2	DTD.610	C.	4
	Std.851/38	Clip, $\frac{7}{16}$ " wide \times 22 S.W.G. \times 3-8" long (Make from 30B/1433)						1	DTD.610		
2733	A.193577	Clip, securing feed pipe at rear hood de-misting duct						2	DTD.610	MR/C	NM.2
	Std.1682/8	Clip, securing supply pipe to hood de-misting feed pipe						6	S.3 & T.26	C.	5
	Std.1682/10	Clip						4	S.3 & T.26	C.	5
	Std.1682/12	Clip, securing feed pipes						5	S.3 & T.26	C.	5
6995	A.208005	Guide, windscreen spray						1	L.72		NM.1
	Std.1511/C	Nut, dome						3	—		
8195	B.215005	Packing:						2	L.65.C		
6087	C.251103	Piece, 4-way, N.R.V. to cabin feed pipes (Mod. 210) group (Mod. H. 1045, Prot. Pkt. 396)						1	—	C.	NM.2
27V/4813	Teddington— FHG/A/49	Ductstat						1	—		
	F.211739	Plate, locking						1	—		
8993	F.211740	Washer, sealing						2	—		NM.2
F+W Pkt. 299 Ae.A. 1099	A.250536	Schutzkorb						1			NM.2

SERVICES—PRESSURISATION FRONT FUSELAGE

Ref. No.	Part No.	Description					No. Of	Material Specification	M.R. Class of Score	Place No.
		1	2	3	4	5				
6996	B.215271					Pipe, feed for windscreen de-misting duct, port (Mod. 291)	1	BSS.265	C.	NM.1
6997	B.215272					Pipe, feed for windscreen de-misting duct, starboard (Mod. 291)	1	BSS.265	C.	NM.1
6107	A.206503					Pipe, supply, for windscreen side panel spray, port (Mod. 209)	1	—	C.	NM.1
7005	A.207975					Pipe, interconnecting windscreen spray	2	—	C.	NM.1
7006	C.207909					Pipe, spray, windscreen and port quarter light	1	—	C.	NM.1
7007	B.207910					Pipe, spray, starboard quarter light	1	—	C.	NM.1
6108	A.206504					Pipe, supply, for windscreen side panel spray, starboard (Mod. 209)	1	—	C.	
6105	A.206499					Pipe, supply, 4-way piece to hood de-misting feed pipe, port (Mod. 209)	1	—	C.	NM.1
6106	A.206500					Pipe, supply, 4-way piece to hood de-misting feed pipe, starboard (Mod. 209)	1	—	C.	NM.1
9049	C.218597					Pipe, feed, windscreen, port (Mod. 281)	1	—		NM.1
9050	C.218598					Pipe, feed, windscreen, starboard (Mod. 281)	1	—		NM.1
7000	C.207905-S1					Pipe, hoodspray, port (Mod. 291)	1	—	C.	NM.1
7001	C.207906					Pipe, hoodspray, starboard (Mod. 291)	1	—	C.	NM.1
7002	C.207904					Pipe, 4-way piece to hood spray (Mod. 291)	1	—	C.	NM.1
	C.221349					Plate, guard, de-misting duct feed pipe, port (Mod. 604)	1	DTD.213		
	C.221350					Plate, guard, for de-misting duct feed pipe, starboard (Mod. 604)	1	DTD.213		
	B.197280					Plate, mounting, between frames 7 and 8	1	L.72		
270A/142	Dowty GD.1307/14					Seal, bonding, for supply pipe to windscreen side panel spray	2	—	C.	
270A/147	Dowty GD.1307/C					Seal, bonding	2	—	C.	
7003	C.209736					Shield, for hood de-misting duct, port (Mod. 291)	1	L.72	C.	NM.1
7004	C.209737					Shield, for hood de-misting duct, starboard (Mod. 291)	1	L.72	C.	NM.1
	Std 1744/8					Sleeve, sealing	2	Silicone Rubber	C.	5
	Std 1744/10					Sleeve, sealing	2	Silicone Rubber	C.	5
	Std.1744/12					Sleeve, sealing	5	Silicone Rubber	C.	5
6871	F.199884					Stowage, for G.G.S. spare bulbs	1	DTD.610	MR/C	NM.1
	Std.1509/12/050					Tube, distance	1	T.4		
	Std.1509/23/086					Tube, distance	2	T.4	MR/C	4
	Std 1509/23/060					Tube, distance	1	T.4		
	D.191110					CABIN PRESSURISING EQUIPMENT, BETWEEN FRAMES 13 AND 19, ASSEMBLY	—	—	—	
6748	F.209784					Block, securing actuator for temperature control valve	1	Casting	C.	NM.1
	A.189270					Bracket, mounting, for electric magnetic valve	1	DTD.610		
	F.187849					Bracket, support, for pipe	1	—		
8187	A.217964					Chamber, mixing, forward of frame 16 (Mod. 559)	1	—	B.	NM.1
1359	B.187401					Clamp, half, for pipe coupling at water extractor	4	Stamping	C.	NM.1
	6F-AMF-D.12142					Konsole	1			
	Std.2045/19/24					Bridge	1			
	6F-AMF-D.12143					Leitung	1			
	AGS 1129/C					Ringanschluss	1			
	AGS 1186/C					Dichtung	2			
	AGS 1135/C					Hohlschraube	1			
	6F-AMF-D.12141					Fixierung	1			
	NB 1077					Niet Ø 3x8 742.4	4			
	6F-AMF-D.12135					Störplatte	1			

Ae.A. 1788

SERVICES—PRESSURISATION FRONT FUSELAGE

Ref. No.	Part No.	Description					No. Off	Material Specification	M.R. Class of Score	Place No.	
		1	2	3	4	5					
2767	F.173562						Clip, securing actuator for temperature control valve	1	DTD.610	MR/C	NM.1
2768	F.189595						Clip, special, securing hood seal pipes at pressure diaphragm, frame 14	2	DTD.610	MR/C	NM.2
1364	F.187147						Clip, supporting mixing chamber	1	S.3	C.	NM.2
	Std 1166/8						Clip, supporting mixing chamber	1	S.3 & T.26	C.	4
	Std 1682/12						Clip, securing, for air supply pipes	8	S.3 & T.26	C.	5
	Std 1682/10						Clip, securing, for air supply pipes	2	S.3 & T.26	C.	5
	Std.2045/17/26						Clip, sleeved	1	—	—	
	Std 2045/22/24						Clip, sleeved	2	—	—	
	Std 842/12						Clip, securing hood seal and air extraction valve pipes, 1/8" wide x 22 S.W.G. x 1-2" long (Make from 30A/1284)	2	S.3	MR/C	4
1358	A.186831						Coupling, special cone type at non-return valve ...	1	DTD.364	C.	NM.2
1360	A.185338						Coupling, at pressure diaphragm for reducing valve	1	DTD.364	C.	NM.2
	Std 1306/1/20						Coupling, flexible, for hood seal pipe connection (Make from 32C/447)	1	DTD.625A	C.	4
6336	A.206506						Extractor, water (Mod. 209)	1	—	A.	NM.1
	Std.1231/1						Lug, locking, for wire locking of pipe	1	S.3	C.	4
	Std.1231/3						Lug, locking, for wire locking of pipe	2	S.3	C.	4
1355	F.183339						Pin, special, connecting rod at temperature control valve	1	S.11 or 5.95.B	C.	NM.1
2769†	C.185829/1						Pipe, from connection at frame 18 to non-return valve at pressure diaphragm	1	DTD.253	MR/C	
2770†	C.185829/2						Pipe, from banjo at reducing valve, to connection at pressure diaphragm	1	DTD.253	MR/C	
	C.185829/33						Pipe, from connection at diaphragm to electro-magnetic valve inlet (Mod.2411)	1	DTD.253	MR/C	
2772†	C.185829/4						Pipe, from electro-magnetic valve atmosphere connection, at air extractor duct	1	DTD.253	MR/C	
	C.185829/34						Pipe, from electro-magnetic valve to outlet connection at pressure diaphragm (Mod.2411)	1	DTD.253	MR/C	
2775†	C.185829/7						Pipe, from connection at pressure diaphragm, to hood seat connection	1	DTD.253	MR/C	
2776†	C.185829/8						Pipe, from banjo at reducing valve to electro-magnetic valve inlet	1	DTD.253	MR/C	
2777†	C.185829/9						Pipe, from electro-magnetic valve atmosphere connection at pressure diaphragm	1	DTD.253	MR/C	
2778†	C.185829/10						Pipe, from connection at diaphragm, to air extractor duct	1	DTD.253	MR/C	
2782†	C.185829/14						Pipe, from connection to connection	1	DTD.253	MR/C	
2783†	C.185829/15						Pipe, from connection to banjo at reducing valve	1	DTD.253	MR/C	
4860†	C.185829/20						Pipe, from connection to connection	1	DTD.253	MR/C	
4861†	C.185829/21						Pipe, from seal test connection at frame 6, to connection	1	DTD.253	MR/C	
7115†	C.185829/22						Pipe, forward extraction valve to connection ... (Mod. 209)	1	DTD.253	MR/C	NM.1
7118†	C.185829/25						Pipe, E.M. valve outlet connection to tee piece ... (Mod. 209)	1	DTD.253	MR/C	
†	C.185829/27						Pipe, union to union (AS.830/92)	1	DTD.253	MR	
†	C.185829/28						Pipe, union to union (AS.830/92)	1	DTD.253	MR	
†	C.185829/29						Pipe, union to tee piece (AS.830/92)	1	DTD.253	MR	

† For details see Piping Chart

SERVICES—PRESSURISATION FRONT FUSELAGE

Ref. No.	Part No.	Description	No. Off	Material Specification	M.R. Class of Score	Plate No.
†	C.185829/32	Pipe, aft extractor valve to tee piece (Mod. 417)	1	DTD.253		NM.1
6747	B.207856	Pipe, hot air, between frames 16 and 18, complete with lagging (Mod. 189)	1	L.54	C.	NM.1
1428	B.191112	Pipe, cold air, between frames 16 and 18, complete with lagging	1	L.54	C.	NM.1
5CZ/4901	Teddington-FLJ/A/2	Resistor, follow-up type	1	—	B.	
1357	F.185498	Rod, connecting, group	1	—	C.	NM.1
	F.152671	Eye-end	2	S.1		
270A/143	Dowty-G.D.1307/23	Seal, bonded	1	—	C.	
270A/145	Dowty-G.D.1307/B	Seal, bonded	1	—	C.	
270A/148	Dowty-G.D.1307/D	Seal, bonded	1	—	C.	
270A/152	Dowty-G.D.1307/K	Seal, bonded	1	—	C.	
	Std.1744/10	Sleeve, sealing, for pipe connection	1	Silicone Rubber	C.	5
	Std.1744/12	Sleeve, sealing, for pipe connection	4	Silicone Rubber	C.	5
	Std.1509/23/032	Tube, distance, for electro-magnetic valve mounting bracket, $\frac{5}{16}$ " o/d x 16 S.W.G. x 0.32" long (Make from 30B/556)	3	T.4	MR/C	4
	B.184967	Valve, temperature control, and actuator, group	1	—		NM.1

† For details see Piping Chart

SERVICES—PRESSURISATION FRONT FUSELAGE

Ref. No.	Part No.	Description	No. Off	Material Specification	M.R. Class of Score	Plate No.
666	B.185327	Valve, non-return, at frame 14, group	1	—	B.	NM.2
9534	B.220006	Valve, air extractor, group (Mod. 417)	1	—	B.	NM.2
27VB/3455	Hymatic-D.9205	Valve, non-return, type NR.9 Mk. 6	1	—	A.	
27VB/3454	Hymatic-D.9206	Valve, reducing, type PS.29/4	1	—	A.	
27V/4125	Teddington-ES.A.430	Valve, electro-magnetic, for air extraction	1	—	A.	
27V/3453	Teddington-ES.A.390	Valve, electro-magnetic, for air extraction	1	—	A.	
	Std.1695/7	Washer, sealing, 2½" i/d, at water extractor	2	DTD.378	C.	5
	Std.1547/22/14	Washer, packing, for block securing actuator	2	DTD.610	MR/C	4
	Std.915.E26	Washer, packing	QR	—		
	D.224088	VALVE, REAR DISCHARGE FRAME 14, ASSEMBLY (Mod. 378)	—	—	—	
6741	F.209956	Block, clamp	2	—	C.	NM.1
	F.209985	Bracket, mounting	1	L.72		
1370	F.187763	Cap, special	1	DTD.364	C.	
	Std.840/13	Clip, securing	5	DTD.610	MR/C	4
	Std. 841/13	Clip, securing (Mod. 604)	1	DTD.610	—	4
	Std.851/57	Clip, securing (Mod. 604)	1	DTD.610	—	4
	Std.1231/3	Lug, locking	1	S.3	C.	4
7078†	B.209954/3	Pipe, tee piece to joint	1	DTD.253	MR/C	NM.1
7081†	B.209954/6	Pipe, bulkhead connection to electro-pneumatic valve	1	DTD.253	MR/C	NM.1
7082†	B.209954/7	Pipe, electro-pneumatic valve to discharge valve	1	DTD.253	MR/C	NM.1
7083†	B.209954/8	Pipe, bulkhead connection to electro-pneumatic valve	1	DTD.253	MR/C	NM.1
8198†	B.209954/9	Pipe, joint to bulkhead connection (Mod. 378)	1	DTD.253		NM.1
	† B.209954/10	Pipe, joint to joint (Mod. 378)	1	DTD.253		
	† B.209954/11	Pipe, joint to joint, frame 7 to frame 12 (Mod. 378)	1	DTD.253		NM.1
6742	F.212694	Plate, nut	2	—	C.	NM.1
9521	F.214163	Stud	2	S.95.B		
	Std.1509/12/038	Tube, distance, ¼" o/d × 20 S.W.G. × 0.38" long	1	T.4		
	Std.1509/23/070	Tube, distance (Mod. 604)	1	T.4		
27KD/509	Normalair-509920	Valve, discharge (less shroud 504050)	1	—	A.	
27V/3453	Teddington-ES/A/390	Valve	1	—	A.	

† For details see Piping Chart

SERVICES—PRESSURISATION

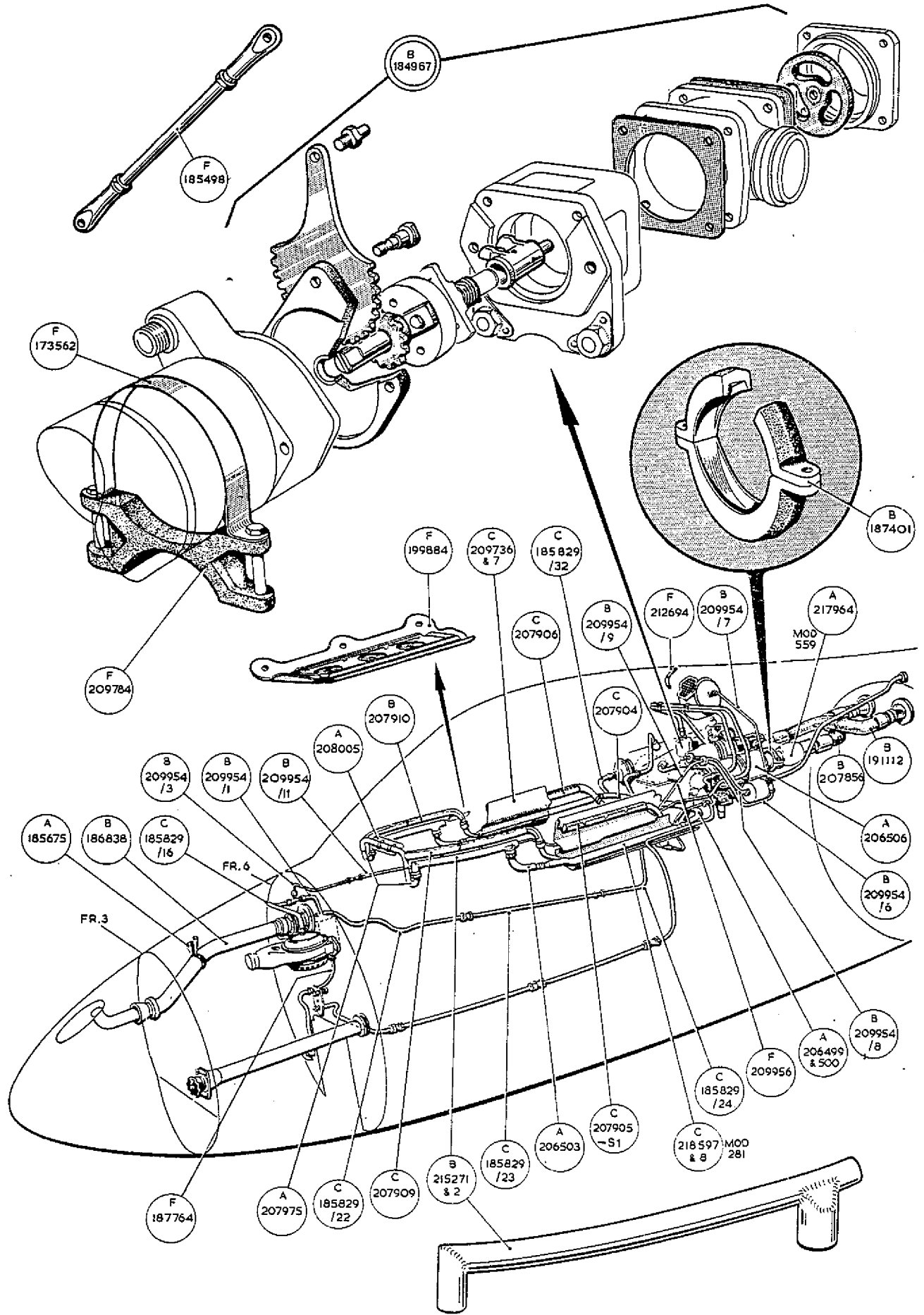
Ref. No.	Part No.	Description					No. Off	Material Specification	M.R. Class of Store	Plate No.
		1	2	3	4	5				
SUMMARY OF STOCK ITEMS										
	AGS.1104/B	Adaptor, cone type	—	—	—
	AGS.1104/C	Adaptor, cone type	—	—	—
	A25.1.B	Bolt, 4 B.A.	—	—	—
	A25.2.B	Bolt, 4 B.A.	—	—	—
	A25.3.B	Bolt, 4 B.A.	—	—	—
	A25.4.B	Bolt, 4 B.A.	—	—	—
	A25.5.B	Bolt, 4 B.A.	—	—	—
	A25.1.C	Bolt, 2 B.A.	—	—	—
	A25.2.C	Bolt, 2 B.A.	—	—	—
	A25.3.C	Bolt, 2 B.A.	—	—	—
	A25.4.C	Bolt, 2 B.A.	—	—	—
	A25.5.C	Bolt, 2 B.A.	—	—	—
	A25.6.C	Bolt, 2 B.A.	—	—	—
	A25.7.C	Bolt, 2 B.A.	—	—	—
	A25.8.C	Bolt, 2 B.A.	—	—	—
	A25.12.C	Bolt, 2 B.A.	—	—	—
	A25.13.C	Bolt, 2 B.A.	—	—	—
	A25.20.C	Bolt, 2 B.A.	—	—	—
	A25.4.E	Bolt, 1/2" B.S.F.	—	—	—
	A25.10.E	Bolt, 1/2" B.S.F.	—	—	—
	AS.1242.5C	Bolt, 2 B.A.	—	—	—
	AS.1242.6.C	Bolt, 2 B.A.	—	—	—
	AS.1242.10.C	Bolt, 2 B.A.	—	—	—
	AS.1242.30.C	Bolt, 2 B.A.	—	—	—
	AS.1242.33.C	Bolt, 2 B.A.	—	—	—
	AS.1248.1.C	Bolt, 2 B.A.	—	—	—
	AS.1242.2.C	Bolt, 2 B.A.	—	—	—
	AS.1248.4.C	Bolt, 2 B.A.	—	—	—
	AGS.1135/B	Bolt, banjo	—	—	—
	AGS.1136/B	Bolt, banjo	—	—	—
	AGS.1129/B	Body, banjo	—	—	—
	AGS.1130/B	Body, banjo	—	—	—
	AGS.1111/B	Body, union	—	—	—
	AGS.1145/B	Body, union	—	—	—
	AGS.605/00	Clip	—	—	—
	AGS.1661.H	Clip	—	—	—
	AGS.1661.E	Clip	—	—	—
	AGS.1661.G	Clip	—	—	—
	AGS.1142/B	Nipple	—	—	—
	AGS.1142/H	Nipple	—	—	—
	AGS.1170/B	Nipple	—	—	—
	AS.3360.B3.B	Lead, bonding	—	—	—
	AS.3360.B3.C	Lead, bonding	—	—	—
	AS.3360.B4.B	Lead, bonding	—	—	—
	AS.3360.B5.B	Lead, bonding	—	—	—
	AS.3360.B5.C	Lead, bonding	—	—	—
	AS.3360.B6.C	Lead, bonding	—	—	—
	A27.C.P.	Nut, 2 B.A.	—	—	—
	A27.C.T.	Nut, 2 B.A.	—	—	—
	A27.C.S.	Nut, 2 B.A.	—	—	—
	A27.E.S.	Nut, 1/4" B.S.F.	—	—	—
	A27.G.T.	Nut, 1/8" B.S.F.	—	—	—

SERVICES—PRESSURISATION

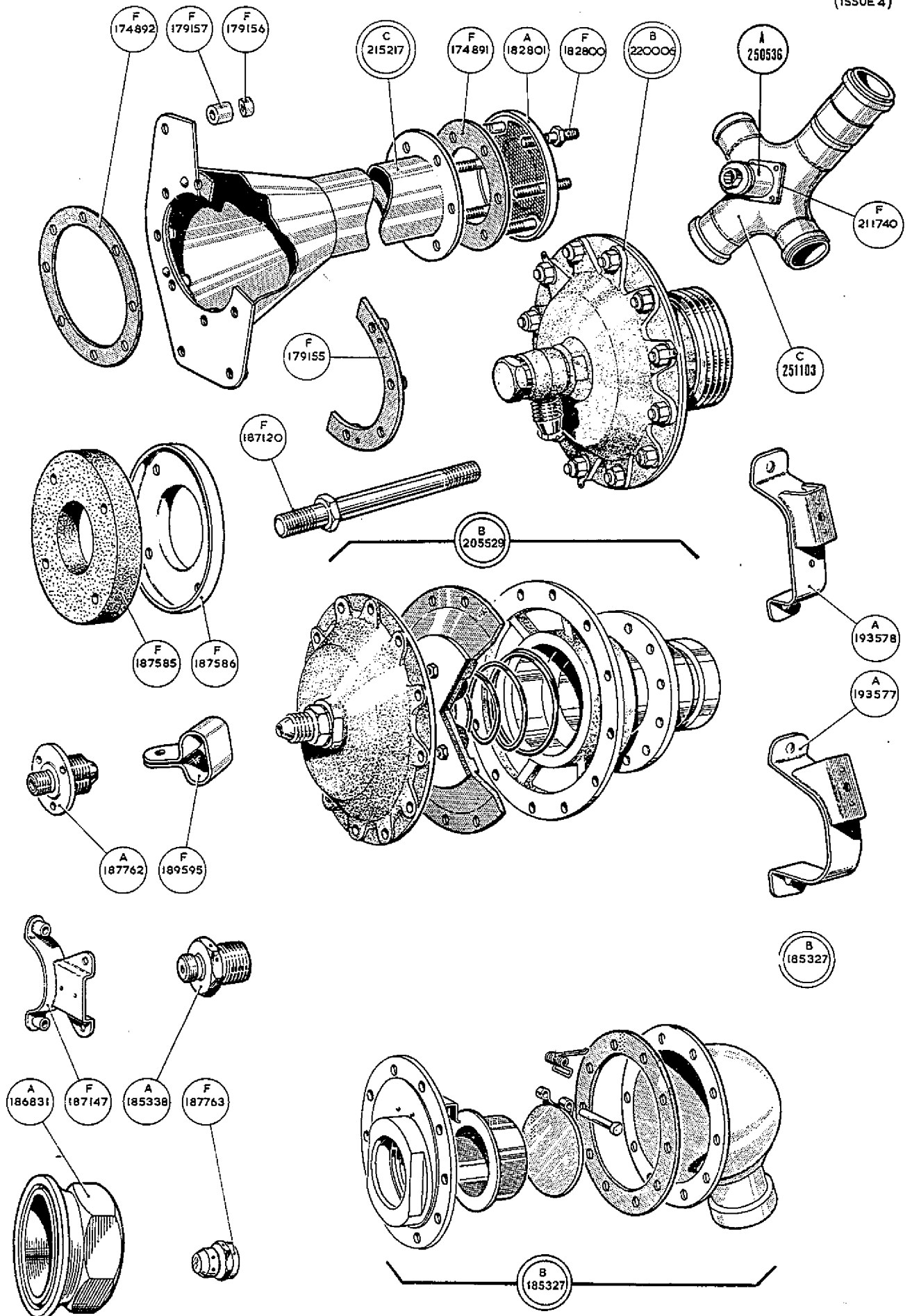
Ref. No.	Part No.	Description					No. Off	Material Specification	M.R. Class of Score	Plate No.
		1	2	3	4	5				
	AGS.1148/A	Nut, thin	—	—	—
	AGS.1148/B	Nut, thin	—	—	—
	AGS.1148/D	Nut, thin	—	—	—
	AGS.1148/K	Nut, thin	—	—	—
	AGS.2001.B1	Nut, 4 B.A.	—	—	—
	AGS.2001.C1	Nut, 2 B.A.	—	—	—
	AGS.2002.B1	Nut, 4 B.A.	—	—	—
	AGS.2002.C1	Nut, 2 B.A.	—	—	—
	AGS.2002.E1	Nut, 1/2" B.S.F.	—	—	—
	AGS.2008.C1	Nut, 2 B.A.	—	—	—
	SP.9.C4	Pin, split type	—	—	—
	SP.90/C4	Pin, split type	—	—	—
	SP.90/C5	Pin, split type	—	—	—
	SP.90/C7	Pin, split type	—	—	—
	AGS.859/12	Pin, tapered	—	—	—
	AGS.859/22	Pin, tapered	—	—	—
	AGS.1140/A	Plug	—	—	—
	AGS.1140/B	Plug	—	—	—
	AGS.1143/C	Plug, cone type	—	—	—
	A31.B.10	Screw, 4 B.A.	—	—	—
	A32.B.14	Screw, 4 B.A.	—	—	—
	A32.C.20	Screw, 2 B.A.	—	—	—
	A32.C.44	Screw, 2 B.A.	—	—	—
	AGS.904/A	Sleeve, outer	—	—	—
	AGS.904/B	Sleeve, outer	—	—	—
	AGS.904/K	Sleeve, outer	—	—	—
	AGS.1102.B	Union	—	—	—
	AGS.1104.B	Union	—	—	—
	AGS.1104.C	Union	—	—	—
	AGS.1145.B	Union	—	—	—
	AGS.1146.A	Union	—	—	—
	AGS.1146.B	Union	—	—	—
	AGS.1118.B	Union, tee piece 1/2"	—	—	—
	AGS.1118.C	Union, tee piece	—	—	—
	SP.10.C	Washer, 2 B.A....	—	—	—
	SP.15.B	Washer, 4 B.A....	—	—	—
	SP.15.C	Washer, 2 B.A....	—	—	—
	SP.15.E	Washer, 1/2" dia.	—	—	—
	SP.16.B	Washer, 4 B.A....	—	—	—
	SP.16.C	Washer, 2 B.A....	—	—	—
	SP.16.E	Washer, 1/2" dia.	—	—	—
	SP.41.E	Washer, tab, 1/2" dia.	—	—	—
	SP.47.C	Washer, spring, 2 B.A.	—	—	—
	AGS.568/B	Washer, jointing	—	—	—
	AGS.568/D	Washer, jointing	—	—	—
	AGS.568/H	Washer, jointing	—	—	—
	AGS.1138/B	Washer, jointing	—	—	—
	AGS.1138/K	Washer, jointing	—	—	—

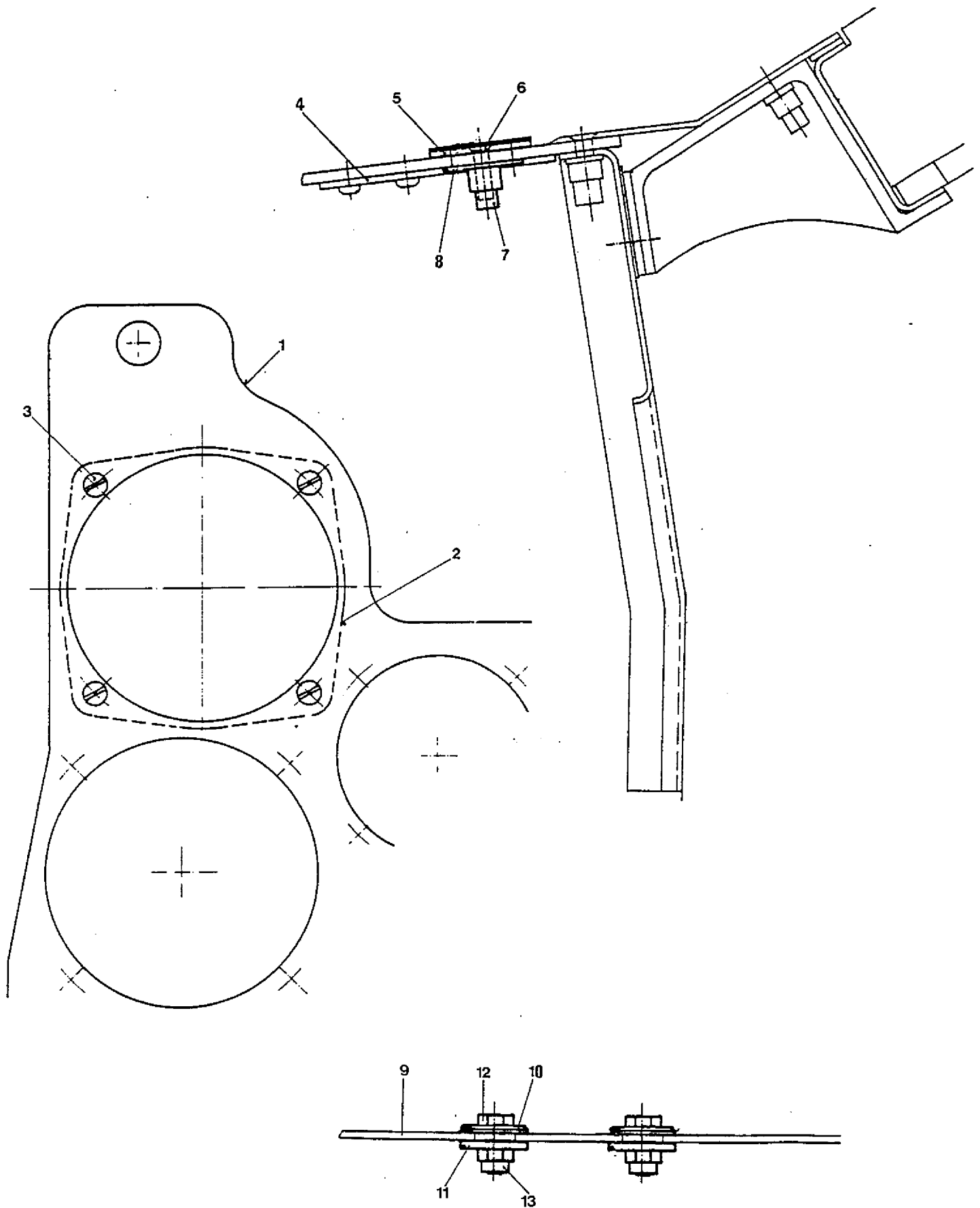
Abdeckungen für Rain-Repellent-Anlage

Fig. No.	Part No.	Description	No. Off	Material Specificat.	Plate No.
1	C.232630	Instrumentenbrett r.	1		NM.3
2	6F-F+W-521537	Deckel	1		NM.3
3	STD 1606/44/Bl6	Fr.-Schraube	4		NM.3
4	6F-F+W-804912	Abdeckblech (bei Bedarf)	1		NM.3
5	6F-F+W-521586	Abdeckplatte	1		NM.3
6	AS 1242/2C	Sk.-Schraube	2		NM.3
7	AGS 2023/C1	Dicht-Annietmutter	2		NM.3
8	AS 2229/306	Sk.-Niet	4		NM.3
9	B.183141	Kabinenboden	1		NM.3
10	6F-F+W-521587	Abdeckscheibe	2		NM.3
11	6F-F+W-521558	U-Scheibe	2		NM.3
12	A 25/1C	6kt.-Schraube	2		NM.3
13	AGS 2001/C1	Sich.-Mutter	2		NM.3
		(Ae.A.Hu-F-730)			



—PRESSURISATION—





ABDECKUNGEN für RAIN-REPELLENT-ANLAGE

This file was downloaded
from the RTFM Library.

Link: www.scottbouch.com/rtfm

Please see site for usage terms,
and more aircraft documents.

