

SERVICES—FUEL FILTER DE-ICING

Ref. No.	Part No.	Description	No. Off					Material Specification	M.R. Class of Store	Plate No.
			1	2	3	4	5			
	C.204905	<b>FUEL FILTER DE-ICING SYSTEM, ASSEMBLY</b> (Mod. 254)	-	-	-	-	-	-		
3905	F.196092	Block, clamp ... ..	2				LFS.21	C.	NN.1	
	Auto.-Prod.— AVA.64-7/B	Cap, blanking ... ..	1				—	C.	NN.1	
	Auto.-Prod.— AVA.64-7/C	Cap, blanking ... ..	1				—	C.	NN.1	
	STD 2045/21/24	Clip, sleeved ... ..	2				—			
	STD 2046/17/26	Clip, sleeved ... ..	1				—			
	STD 2046/21/24	Clip, sleeved ... ..	1				—			
	STD 2046/25/24	Clip, sleeved ... ..	1				—			
	STD 851/44	Clip, support, for pipes $\frac{1}{8}$ " wide x 22 S.W.G.	1				DTD.610	—	4	
	F.218519	Clip, support, for pipe, at frame 31 ... ..	1				L.72			
27BA/11760	STD 1959/5	Clip, support, for pipes ... ..	2				S.3	MR/C		
	Auto.-Prod.— AVA. 1150/B	Coupling ... ..	1				—	C.	NN.1	
27BA/11415	Auto.-Prod.— AVA. 1150/C	Coupling ... ..	1				—	C.	NN.1	
	STD 1231/1	Lug, locking ... ..	2				S.3	C.	4	
	B.207900	<b>MOUNTING FOR SOLENOID VALVE, ASSEMBLY</b>	-	-	-	-	-	-		
	STD 841/22	Clip, at valve attachment ... ..	1				DTD.610		4	
5CW/6433	B.205149	Mounting, valve ... ..	1				—			
	XD. 781	Switch, S.P. centre "off," spring return ... ..	1				—			
	F.211092	Bezeichnungsschild zu Test-Schalter	1				—			
	F.218976	Packing, at pump ... ..	1				L.72			
	STD 1959/3	Packing, for solenoid valve support clip ... ..	1				LFS.21			
6243	B.204904/1	Pipe, overflow, tank to coupling ... ..	1				T.55 or DTD.743	B.	NN.1	
6244	B.204904/2	Pipe, pump: drain to atmosphere ... ..	1				T.55 or DTD.743	B.	NN.1	
6245	B.204904/3	Pipe, pump: to solenoid valve ... ..	1				T.55 or DTD.743	B.	NN.1	
6246	B.204904/4	Pipe, solenoid valve to non-return valve ... ..	1				T.55 or DTD.743	B.	NN.1	
6247	B.204904/5	Pipe, non-return valve to fuel delivery pipe connection	1				T.55 or DTD.743	B.	NN.1	
6248	B.204904/6	Pipe, filler coupling to adaptor ... ..	1				T.55 or DTD.743	B.	NN.1	
6249	B.204904/7	Pipe, vent, tank to connection ... ..	1				T.55 or DTD.743	B.	NN.1	
6250	B.204904/8	Pipe, filter to pump ... ..	1				T.55 or DTD.743	B.	NN.1	
6251	B.204904/9	Pipe, vent, connection to atmosphere ... ..	1				T.55 or DTD.743	B.	NN.1	
6252	A.205044	Pipe, branch ... ..	1				T.55 or DTD.743	B.	NN.1	
SUE/6294	Plessey-CA.1787	Pump, FP3 Mk. 9 ... ..	1				—	A.		
6253	A.205848	Shield, heat, for non-return valve ... ..	2				S.95	B.	NN.1	
F+H Pkt. 273	F.250569	Winkel	1							
	F.250992	Leitung	1						NN.1	
	STD 2045/21/24	Bride	1							
	A 25/1B	6kt.-Schraube	3							
	AGS 2001/B1	Sich.-Mutter	2							
	AGS 2002/B1	Sich.-Mutter	1							
Ae.A. 1054	SP 15/B	U-Scheibe	3							

**SERVICES—FUEL FILTER DE-ICING**

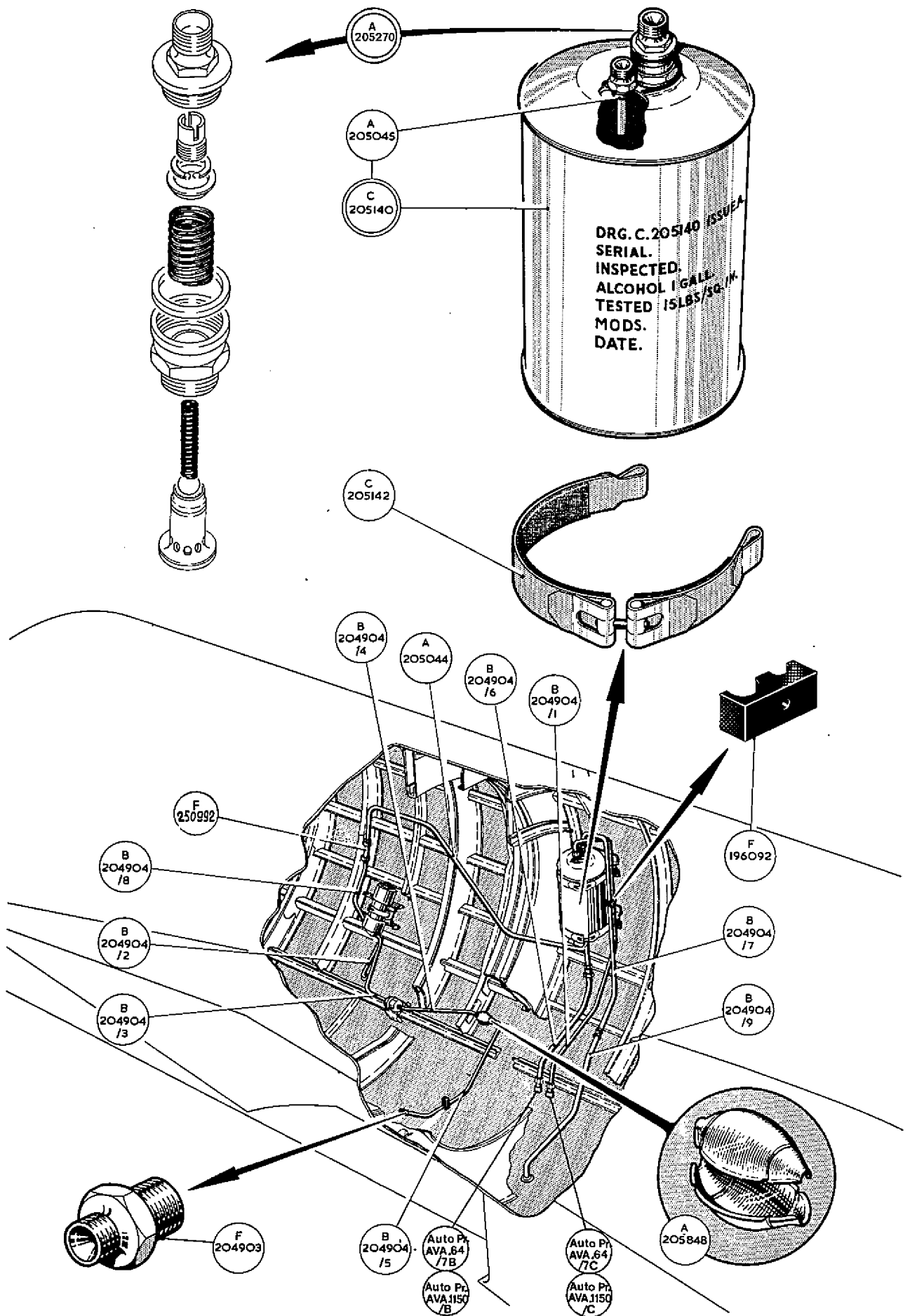
Ref. No.	Part No.	Description					No. Off	Material Specification	M.R. Class of Store	Plate No.
		1	2	3	4	5				
6254	B.205142	<b>Strap</b> , tank mounting ( $\frac{1}{16}$ " dia. hole in screw omitted)					2	DTD.166	B.	NN.1
6255	C.205140	<b>Tank</b> , group ... ..					1	—	B.	NN.1
6256	A.205043	<b>Adaptor</b> ... ..					1	—	B.	NN.1
6257	A.205270	<b>Valve</b> , pressure and suction relief, group ... ..					1	—	B.	NN.1
	STD 1509/23/055	<b>Tube</b> , distance, $\frac{5}{16}$ " o/d $\times$ 17 S.W.G. $\times$ 0.55" long (Make from 30B/556)					1	T.4	—	4
	STD 1509/23/072	<b>Tube</b> , distance, $\frac{5}{16}$ " o/d $\times$ 17 S.W.G. $\times$ 0.72" long (Make from 30B/556)					4	T.4	—	4
6260	F.204903	<b>Union</b> , jet, at fuel delivery pipe ... ..					1	—	B.	NN.1
27V/4814	Teddington— FAW/A/325	<b>Valve</b> , solenoid ... ..					1	—	A.	
27F/2661	Saunders— N.1002	<b>Valve</b> , non-return ... ..					1	—	A.	

SERVICES—FUEL FILTER DE-ICING

Ref. No.	Part No.	Description					No. Off	Material Specification	M.R. Class of Store	Plate No.
		1	2	3	4	5				
<b>SUMMARY OF STOCK ITEMS</b>										
	A.25.1B	Bolt, 4 B.A.	...	...	...	...	...	—	—	—
	A.25.3B	Bolt, 4 B.A.	...	...	...	...	...	—	—	—
	A.25.5B	Bolt, 4 B.A.	...	...	...	...	...	—	—	—
	A.25.7B	Bolt, 4 B.A.	...	...	...	...	...	—	—	—
	A.25.8B	Bolt, 4 B.A.	...	...	...	...	...	—	—	—
	A.25.1C	Bolt, 2 B.A.	...	...	...	...	...	—	—	—
	A.25.3C	Bolt, 2 B.A.	...	...	...	...	...	—	—	—
	A.25.6C	Bolt, 2 B.A.	...	...	...	...	...	—	—	—
	A.25.8C	Bolt, 2 B.A.	...	...	...	...	...	—	—	—
	A.25.3E	Bolt, 1/4" B.S.F.	...	...	...	...	...	—	—	—
	AS.1242/2B	Bolt, 4 B.A.	...	...	...	...	...	—	—	—
	AS.1242/9C	Bolt, 2 B.A.	...	...	...	...	...	—	—	—
	AGS.2031/2	Circlip	...	...	...	...	...	—	—	—
	AGS.2001.C1	Nut, 2 B.A.	...	...	...	...	...	—	—	—
	AGS.2002.B1	Nut, 4 B.A.	...	...	...	...	...	—	—	—
	AGS.2002.C1	Nut, 2 B.A.	...	...	...	...	...	—	—	—
	AGS.165.B	Ring, locking	...	...	...	...	...	—	—	—
	A31.C40	Screw, 2 B.A.	...	...	...	...	...	—	—	—
	SP.15.B	Washer, 4 B.A.	...	...	...	...	...	—	—	—
	SP.15.C	Washer, 2 B.A....	...	...	...	...	...	—	—	—
	SP.15.E	Washer, 1/4" dia.	...	...	...	...	...	—	—	—
	AGS.1138.B	Washer, 4 B.A....	...	...	...	...	...	—	—	—
	AGS.1138.C	Washer, 2 B.A....	...	...	...	...	...	—	—	—
	AGS.1138.G	Washer, 1/8" dia.	...	...	...	...	...	—	—	—

SERVICES—FUEL FILTER DE-ICING

Ref. No.	Part No.						Description	No. Off	Material Specification	M.R. Class of Store	Place No.
		1	2	3	4	5					



FUEL FILTER DE-ICING SYSTEM

This file was downloaded  
from the RTFM Library.

Link: [www.scottbouch.com/rtfm](http://www.scottbouch.com/rtfm)

Please see site for usage terms,  
and more aircraft documents.

