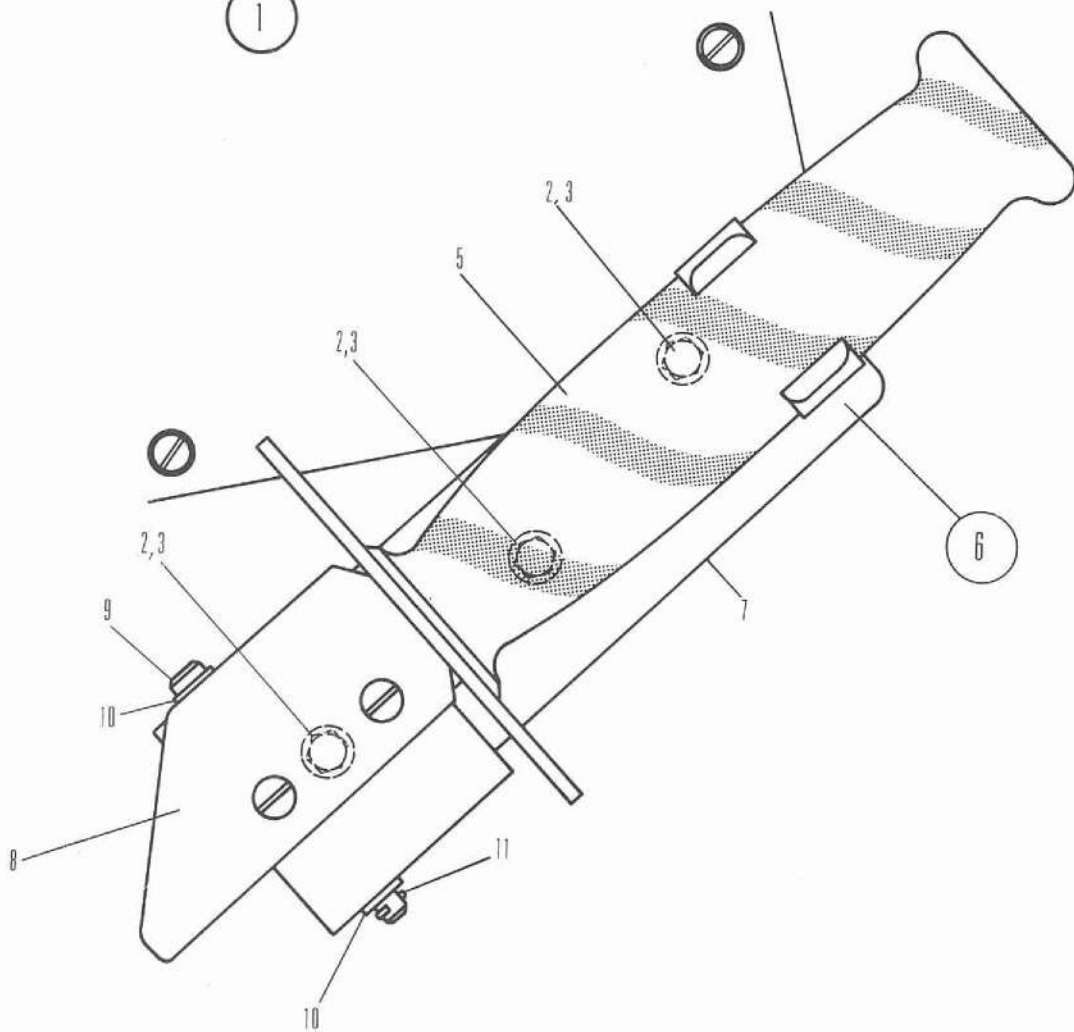
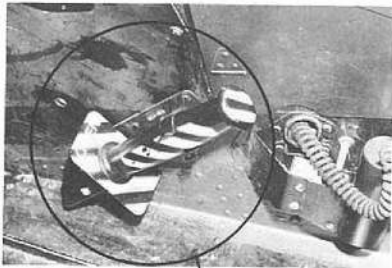


Brechmesser-Einbau  
(Ae.A. Hu-F-501)

F + W Aendg. oder As. A.	Part No.	Description	No. Off	Material Specificat.	M. R. Class of Store	Plate No.
	1 E.206945	<u>Brechmesser vollst. mit Halterung</u>	1			NS.1
	2 A 25/C2	6kt.-Schraube	3			NS.1
	3 SP 13/C	U-Scheibe	5			NS.1
Ae.A.Hu-F-675						
	5 6F-F+W-708627	Brechmesser	1			NS.1
	6 6F-F+W-804928	<u>Brechmesser-Halterung vollst.</u>	1			NS.1
	7 6F-F+W-709341E	Grundplatte	1			NS.1
	8 6F-F+W-708618	Etui vollst.	1			NS.1
	9 VN 436	Splintbolzen 5x59	1	390.51		NS.1
	10 NB 1152	U-Scheibe 5,3x12/1	2	360.51		NS.1
	11 VSM 12760/ DIN 94	Splint 2x10	1			NS.1





This file was downloaded  
from the RTFM Library.

Link: [www.scottbouch.com/rtfm](http://www.scottbouch.com/rtfm)

Please see site for usage terms,  
and more aircraft documents.