

ENGINE CONTROLS IN NOSE FUSELAGE

Part Number	Description	No. Off	Matl. Spec.	Plate No.
EA1.47.5	CONTROLS, ENGINE IN NOSE FUSELAGE ASSEMBLY	1	—	CB1/1
EA1.47.245	Spares for: CLAMP, grommet retaining, at pressure bulkhead	4	L40	CB1/2
A25/3C	Attaching parts for EA1.47.245: Bolt, 2BA, hex. head	2	—	CB1/3
AGS2001C1/66	Nut, stiff, 2BA	2	—	CB1/4
EA1.47.357	CLEAT, engine control support frame 4	2	L40	CB1/5
A25/7C	Attaching parts for EA1.47.357: Bolt, 2BA, hex. head	3	—	CB1/6
AGS2001C1/66	Nut, stif, 2BA	3	—	CB1/7
SIMMONDS CORSEY SP15/7	CLIP, rigid engine control rods at frames 5, 6, 7, 8 and 10 (in pairs)	28	—	CB1/8
A25/7C	Attaching parts for SP15/7: Bolt, 2BA, hex. head at frames 5, 6, 7 and 8	2	—	CB1/9
A25/9C	Bolt, 2BA, hex. head at frame 10	2	—	CB1/10
AGS2001C1/66	Nut, stiff, 2BA	2	—	CB1/11
SIMMONDS CORSEY SP15/10	CLIP, rigid engine control rods at frame 3 (in pairs)	8	—	CB1/2
A25/10E	Attaching parts for SP15/10: Bolt, 1/4" BSF, hex. head	2	—	CB1/13
AGS2001E1/66	Nut, stiff, 1/4" BSF	2	—	CB1/14
EA1.47.251	CONTROL, engine fuel shut-off cock, L.H. (Simmonds Corsey No.7)	1	—	CB1/15
EA1.47.253	CONTROL, engine throttle, L.H. (Simmonds Corsey No.7)	1	—	CB1/16
EA1.47.255	CONTROL, engine fuel shut-off cock, R.H. (Simmonds Corsey No.7)	1	—	CB1/17
EA1.47.257	CONTROL, engine throttle, R.H. (Simmonds Corsey No.7)	1	—	CB1/18
AGS899/4	Attaching parts for EA1.47.251, EA1.47.253, EA1.47.255 and EA1.47.257: Collar, shackle pin	1	—	CB1/20
SP4YD9	Pln, shackle	1	—	CB1/21
SP90C7	Pin, split, 1/16" dia	1	—	CB1/22
Z11809	GROMMET, at pressure bulkhead	4	—	CB1/23
EA1.47.127	MOUNTING, THROTTLE BOX, ASSEMBLY	—	—	CB2/1
EA3.47.149	Spares for: BOX, THROTTLE, ASSEMBLY	1	—	CB2/2
EA1.47.165	Spares for: BRACKET, micro switch, mounting	1	L72	CB2/3
A25/8B	Attaching parts for EA1.47.165: Bolt, 4BA, hex. head	4	—	CB2/4
AGS2001B1	Nut, stiff, 4BA	4	—	CB2/5
SP15B	Washer, 4BA, plain	4	—	CB2/6

CONTROLS

ENGINE CONTROLS IN NOSE FUSELAGE

Part Number	1 2 3 4 5 6	Description	No. Off	Matl. Spec.	Plate No.
EB7.81.1589		BRACKET, cable clip assembly	1	L72	CB2/7
A25/1B		Attaching parts for EB7.81.1589:	2	—	CB2/8
AGS2001B1		Bolt, 4BA, hex. head	2	—	CB2/9
		Nut, stiff, 4BA			
EA1.47.173		BUSH, tapped, shut-off cock lever locking	1	DTD126A	CB2/11
EA1.47.293		BUSH, tapped, throttle lever locking	1	DTD126A	CB2/12
EA3.81.2645		CABLE ASSEMBLY, N76A	—	—	
EA1.47.137		CASTING, throttle box	1	Mag. Alloy	CB2/13
AS3180/11B		CLIP, cable	1	—	CB2/15
		Attaching parts for AS3180/11B:			
A25/1B		Bolt, 4BA, hex. head	1	—	CB2/16
EA1.47.157		KNOB, throttle lever, locking	1	L40	CB2/18
EA1.47.159		KNOB, shut-off cock lever, locking	1	L40	CB2/19
EA3.81.1971		KNOB, shut-off cock lever, L.H. red	1	DTD683	CB2/20
		Attaching parts for EA3.81.1971:			
A33B16		Screw, 4BA, csk. head	1	—	CB2/21
A33C20		Screw, 2BA, csk. head	1	—	CB2/22
EA3.81.1972		KNOB, shut-off cock lever, R.H. green	1	DTD683	CB2/23
		Attaching parts for EA3.81.1972:			
A33B16		Screw, 4BA, csk. head	1	—	CB2/24
A33C20		Screw, 2BA, csk. head	1	—	CB2/25
AS1908C		KNOB, throttle control, lever L.H. red	1	—	CB2/26
		Attaching parts for AS1908C:			
A27CT		Nut, 2BA, thin	1	—	CB2/27
A33C28		Screw, 2BA, csk. head	1	—	CB2/28
AS1908B		KNOB, throttle control lever R.H. green	1	—	CB2/10
		Attaching parts for AS1908B:			
A27CT		Nut, 2BA, thin	1	—	CB2/14
A33C28		Screw, 2BA, csk. head	1	—	CB2/17

R

AP101B-0402-3A

Page CB.3

CONTROLS
ENGINE CONTROLS IN NOSE FUSELAGE

Part Number	Description	No. Off	Matl. Spec.	Plate No.	
					1
EA3.47.77	LEVER, throttle L.H. assembly (Pre Mod.5028)	1	—	CB2/29	
EA3.47.137	LEVER, throttle L.H. assembly (Mod.5028)	1	—		
EA3.47.99	LEVER, shut-off cock control L.H. (Pre Mod.5028)	1	—	CB2/30	
EA3.47.139	LEVER, shut-off cock control L.H. (Mod.5028)	1	—		
EA3.47.100	LEVER, shut-off cock control R.H. (Pre Mod.5028)	1	—	CB2/31	
EA3.47.140	LEVER, shut-off cock control R.H. (Mod.5028)	1	—		
EA3.47.78	LEVER, throttle, R.H. (Pre Mod.5028)	1	L72	CB2/32	
EA3.47.138	LEVER, throttle R.H. (Mod.5028)	1	—		
A27CP	NUT, 2BA, plain, for lever stop screw	8	—	CB2/33	
A27NP	NUT, 1/2" BSF	1	—	CB2/33A	
EA1.47.295	PIN, special, shut-off cock control lever clamp	1	L40	CB2/34	
EA1.47.297	PIN, special, throttle control lever clamp	1	L40	CB2/35	
SP90E8	PIN, split, 3/32" dia	1	—	CB2/35A	
EA1.47.303	PLATE, guard Attaching parts for EA1.47.303:	1	—	CB2/36	
A32B8	Screw, 4BA, round head	6	—	CB2/37	
A32B16	Screw, 4BA, round head	3	—	CB2/38	
SP47B	Washer, 4BA, spring	9	—	CB2/39	
EA3.47.91	PLATE, reaction, shut-off cock	1	—	CB2/41	
EA3.47.93	PLATE, reaction, shut-off cock	1	—	CB2/42	
EA3.47.87	PLATE, reaction, throttle control	1	—	CB2/40	
EA3.47.101	PLATE, reaction, throttle control Attaching parts for EA3.47.87 and EA3.47.101:	1	—	CB2/43	
A25/1B	Bolt, 4BA	1	—	CB2/43A	
AGS2001B1	Nut, 4BA	1	—	CB2/43B	
SP15B	Washer	1	—	CB2/43C	
EA3.47.145	PLATE, tapped link locking Attaching parts for EA3.47.145:	1	—	CB2/44	
AS1242/4B	Bolt, 4BA, csk. head	2	—	CB2/45	
AGS2001B1	Nut, stiff, 4BA	2	—	CB2/46	
SP15B	Washer, 4BA, plain	2	—	CB2/47	
EA3.81.1997	PLATE, push switch protection Attaching parts for EA3.81.1997:	2	—	CB2/49	
A44Z10	Screw, 8BA, round head	3	—	CB2/50	
A32C28	SCREW, stop, for levers	6	—	CB2/51	
A32C40	SCREW, stop, for levers	2	—	CB2/52	
EA3.47.85	SHIM, at throttle, levers	2	—	CB2/53	
EA3.47.103	SHIM, at shut-off cock levers	2	—	CB2/54	
EA3.81.1995	SLEEVE, at relight switches	2	—	CB2/55	
R MS5752	SWITCH, micro (Mod.5262) Attaching parts for MS5752:—	1	—	CB2/56	
A25/8B	Bolt, 4BA, hex. head	2	—	CB2/57	
AGS2001B1	Nut, stiff, 4BA	2	—	CB2/58	
SP15B	Washer, 4BA, plain	2	—	CB2/59	

CONTROLS
ENGINE CONTROLS IN NOSE FUSELAGE

Part Number	1 2 3 4 5 6	Description	No. Off	Mati. Spec.	Plate No.
DOWTY C5162Y		SWITCH, push, type A Attaching parts for C5162Y:	2	—	CB2/60
A43Z12		Screw, 8BA, cheese head	2	—	CB2/61
EA3.47.83		TUBE, bearing, at throttle levers	1	—	CB2/64
EA3.47.81		WASHER, special friction, at throttle levers	2	—	CB2/65
EA3.47.89		WASHER, special friction, at shut-off cock levers	2	—	CB2/66
SP15N		WASHER Attaching parts for EA3.47.149:	1	—	CB2/66A
A25/2C		Bolt, 2BA, hex. head	3	—	CB2/67
AS1246/2C		Bolt, 2BA, round head	2	—	CB2/68
AS2922/2.1/2C		Bolt, 2BA, round head	6	—	CB2/69
AS2922/3C		Bolt, 2BA, round head	5	—	CB2/70
AGS2001C1/66		Nut, stiff, 2BA	5	—	CB2/71
EB6.47.5		PACKING, for rigid edge at frame 10	2	—	CB1/53
EB6.47.7		PACKING, for rigid clip at frame 10	2	—	CB1/54
EA1.47.217		SUPPORT, ENGINE CONTROL RODS, FRAME 12, ASSEMBLY Spares for:	1	—	CB1/55
SP15/7		CLIP, rigid (Simmonds Corsey)	4	—	CB1/56

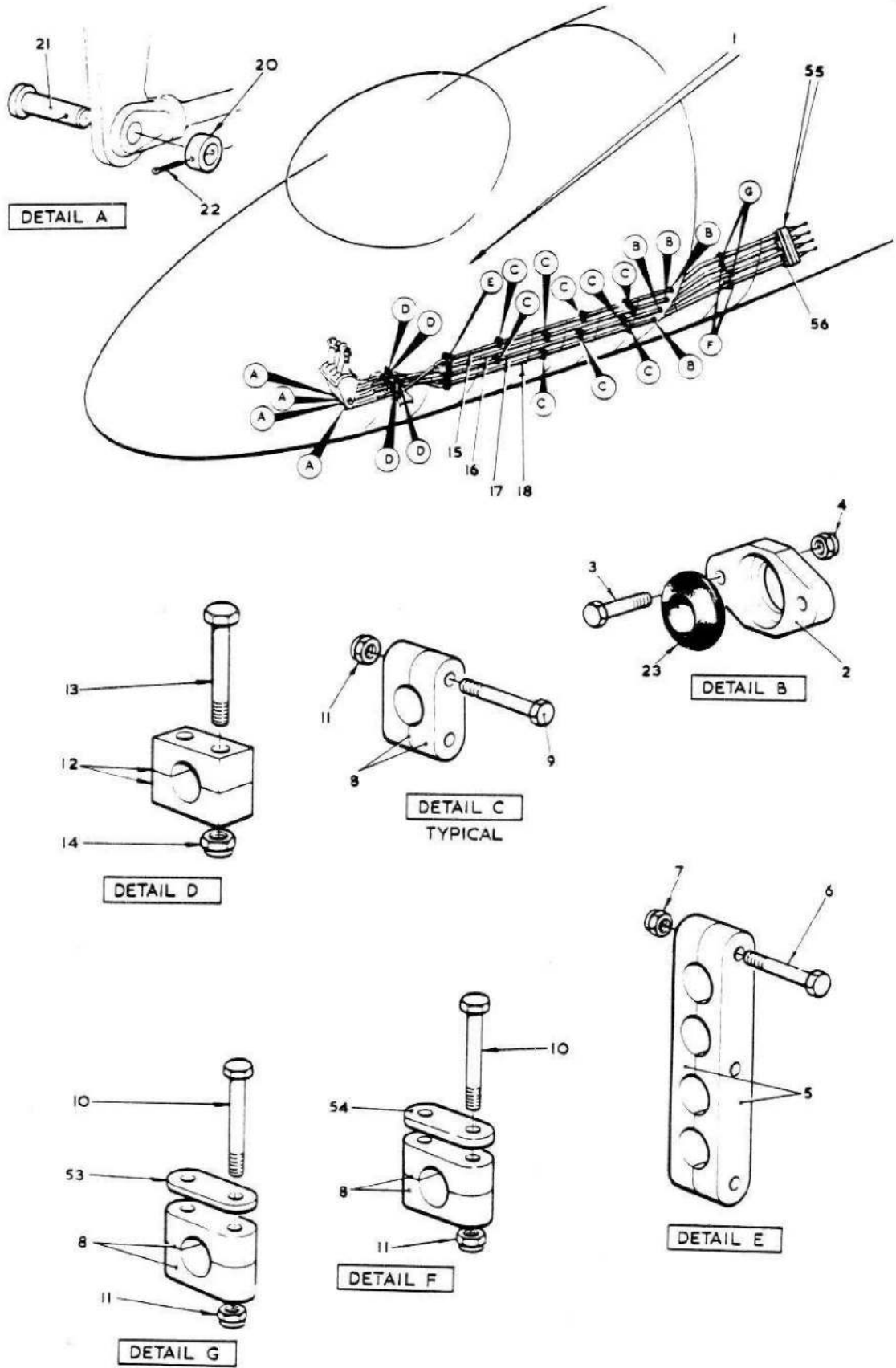


FIG. I ENGINE CONTROLS IN NOSE FUSELAGE

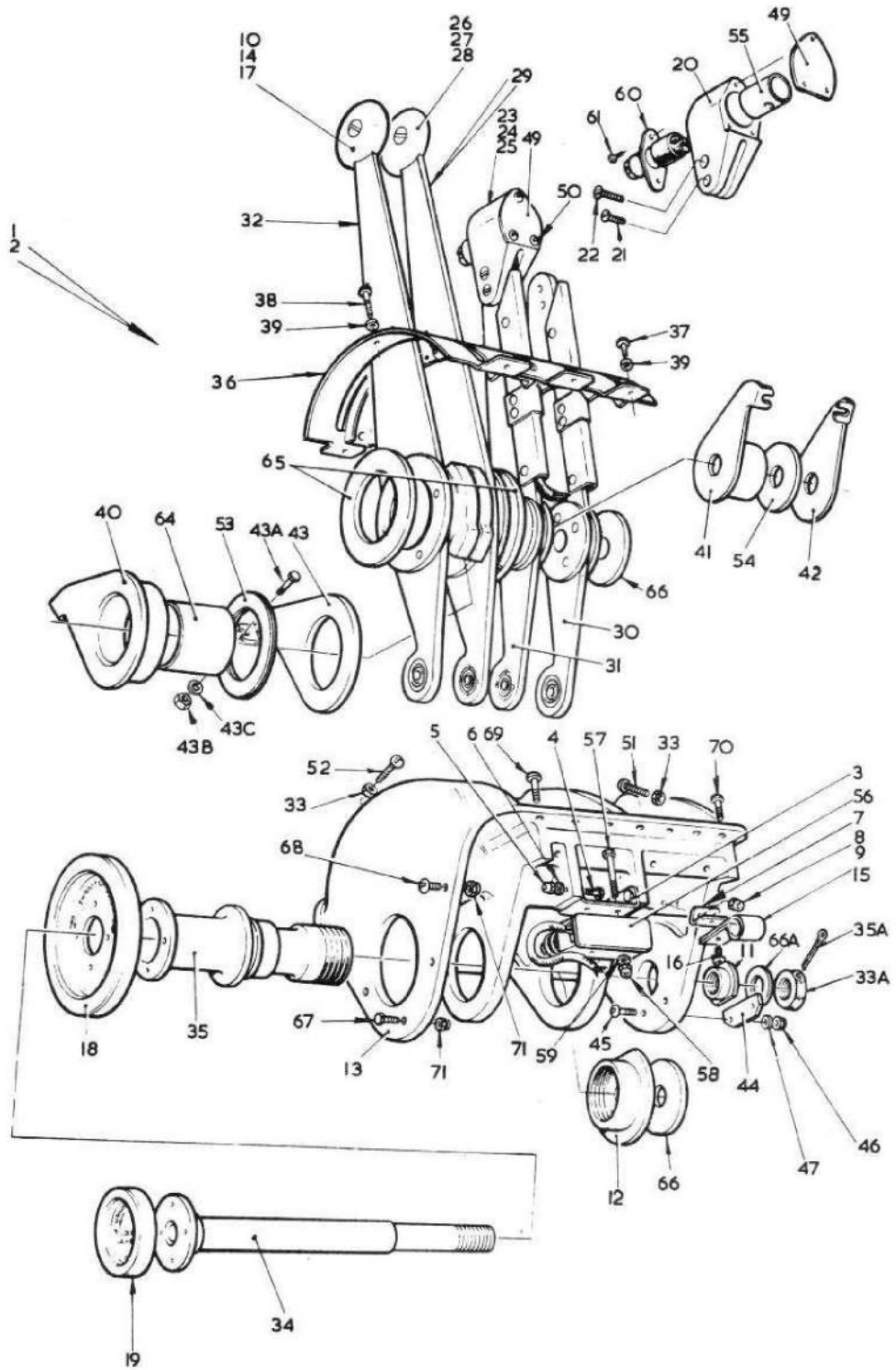


FIG 2 ENGINE CONTROLS IN NOSE FUSELAGE

CODE R

SECT CB

This file was downloaded
from the RTFM Library.

Link: www.scottbouch.com/rtfm

Please see site for usage terms,
and more aircraft documents.

