

ENGINE CONTROLS IN CENTRE FUSELAGE

Part Number	Description	No. Off	Matl. Spec.	Plate No.
EA1.47.125	CONTROLS, ENGINE IN CENTRE FUSELAGE ASSEMBLY	—	—	
EA1.47.203	CONTROLS AT FRAME 13, ASSEMBLY Spares for:—	1	—	CA1/1
EA1.47.177	BRACKET, fairlead attachment, L.H.	1	—	CA3/1
EA1.47.179	BRACKET, fairlead attachment, R.H.	1	—	CA3/2
EA3.47.61	BRACKET, lever attachment, L.H.	1	—	CA3/2A
EA3.47.63	BRACKET, lever attachment, L.H.	1	—	CA3/2B
EA3.47.57	BRACKET, lever attachment, R.H.	1	—	CA3/2C
EA3.47.59	BRACKET, lever attachment, R.H.	1	—	CA3/2D
EA1.47.309	FAIRLEAD, half, for control tubes Attaching parts for EA1.47.309 (per pair):	4	LFS21	CA2/1
A25/10C	Bolt, 2BA	2	—	CA2/2
A27CP	Nut, 2BA	2	—	CA2/3
EA1.47.307	FAIRLEAD, half, for control tubes Attaching parts for EA1.47.307 (per pair):	2	LFS21	CA3/3
A25/10C	Bolt, 2BA	2	—	CA3/3A
A27CP	Nut, 2BA	2	—	CA3/3B
EA3.47.65	LEVER, assembly, throttle control, L.H. (Pre Mod.5028)	1	—	CA3/4
EA3.47.119	LEVER, assembly, throttle control, L.H. (Mod.5028)	1	—	
EA3.47.67	LEVER, assembly, cut-out valve control L.H. (Pre Mod.5028)	1	—	CA3/5
EA3.47.121	LEVER, assembly, cut-out valve control L.H. (Mod.5028) Attaching parts for L.H. Levers (per pair):	1	—	
EEAS13/5	Bolt, special	1	S96	CA1/31
A27ES	Nut, 3/8" BSF	1	—	CA1/31A
SP90C7	Pin, split 1/16" dia	1	—	CA1/31B
SP16E	Washer	1	—	CA1/31C
EA3.47.66	LEVER, assembly, throttle control R.H. (Pre Mod.5028)	1	—	CA3/6
EA3.47.120	LEVER, assembly, throttle control R.H. (Mod.5028)	1	—	
EA3.47.68	LEVER, assembly, cut-out valve control R.H. (Pre Mod.5028)	1	—	CA3/7
EA3.47.122	LEVER, assembly, cut-out valve control R.H. (Mod.5028) Attaching parts for R.H. Levers (per pair):	1	—	
EA3.47.73	Bolt, special	1	S11	CA1/32
A27ES	Nut, 3/8" BSF	1	—	CA1/32A
SP90C7	Pin, split, 1/16" dia	1	—	CA1/32B
AS2811/6/020	Tube, distance	2	L62	CA1/32C
SP16E	Washer	1	—	CA1/32D
EA1.47.305	FAIRLEAD, half, for control tubes Attaching parts for EA1.47.305 (per pair):	16	LFS21	CA1/2
A25/12C	Bolt, 2BA	QR	—	CA1/3
AS1242/14C	Bolt, 2BA	QR	—	CA1/4
AGS2001C1/66	Nut, 2BA	2	—	CA1/5
EA1.47.535	Packing	QR	—	CA1/6
EA1.47.537	Packing	QR	—	CA1/7
EA1.47.539	Packing	QR	—	CA1/8
SP15C	Washer	2	—	CA1/9

CONTROLS

ENGINE CONTROLS IN CENTRE FUSELAGE

Part Number	Description	No. Off	Mati. Spec.	Plate No.
EA1.47.101	. LEVER ASSEMBLY, AT FRAME 16 L.H. (Pre Mod.5028)	1	—	CA1/10
EA3.47.113	. LEVER ASSEMBLY AT FRAME 16 L.H. (Mod.5028) Spares for:	1	—	
HOFFMANN CBS3	. . BEARING, ballrace	2	—	CA1/11
EA1.47.105	. . BRACKET, top	1	L72	CA1/12
EA1.47.107	. . BRACKET, bottom	1	DTD160	CA1/13
EA1.47.123	. . HOUSING, ballrace (Pre Mod.5028)	2	—	CA1/14
EA3.47.125	. . HOUSING, ballrace (Mod.5028)	2	—	
EA1.47.103	. . LEVER, SUB-ASSEMBLY (Pre Mod.5028)	1	—	CA1/15
EA3.47.155	. . LEVER, SUB-ASSEMBLY (Mod.5028) Spares for:	1	—	
HOFFMANN CJO	. . . BEARING, spherical	2	—	CA1/16
EA3.47.151	. . . EYE-END, assembly (Pre Mod.5028)	2	—	CA1/17
EA3.47.123	. . . EYE-END, assembly (Mod.5028)	2	—	
A27JT	. . . NUT 3/8" BSF, thin	2	—	CA1/18
EA1.47.102	. LEVER, ASSEMBLY, AT FRAME 16 R.H. (Pre Mod.5028)	1	—	CA1/19
EA3.47.114	. LEVER, ASSEMBLY AT FRAME 16 R.H. (Mod.5028) Spares for:	1	—	
HOFFMANN CBS3	. . BEARING, ballrace	2	—	CA1/20
EA1.47.106	. . BRACKET, top	1	L72	CA1/21
EA1.47.108	. . BRACKET, bottom	1	DTD160	CA1/22
EA1.47.123	. . HOUSING, ballrace (Pre Mod.5028)	2	—	CA1/23
EA3.47.125	. . HOUSING, ballrace (Mod.5028)	2	—	
EA1.47.104	. . LEVER, SUB-ASSEMBLY (Pre Mod.5028)	1	—	CA1/24
EA3.47.156	. . LEVER, SUB-ASSEMBLY (Mod.5028) Spares for:	1	—	
HOFFMANN CJO	. . . BEARING, spherical	2	—	CA1/25
EA3.47.151	. . . EYE-END, ASSEMBLY (Pre Mod.5028)	2	—	CA1/26
EA3.47.123	. . . EYE-END, assembly (Mod.5028)	2	—	
A27JT	. . . NUT 3/8" BSF, thin	2	—	CA1/27
EA1.47.225	. TUBE, CONTROL, INTERMEDIATE, AFT OF FRAME 13, ASSEMBLY (Pre Mod.5028)	2	—	CA1/28
EA3.47.115	. TUBE, CONTROL, INTERMEDIATE, AFT OF FRAME 13, ASSEMBLY (Mod.5028) Spares for:	2	—	
EA1.47.219	. . EYE-END	1	—	CA1/28A
EEAS53	. . EYE-END, assembly (Pre Mod.5028)	1	—	CA1/29
EA3.47.163	. . EYE-END, assembly (Mod.5028) Attaching parts for EA1.47.219, EEAS53 or EA3.47.163:	1	—	
SP28G6	. . Pin, taper	2	—	CA1/30

ENGINE CONTROLS IN CENTRE FUSELAGE

Part Number	Description	No. Off	Matl. Spec.	Plate No.
EA1.47.227	. TUBE, CONTROL, INTERMEDIATE, THROTTLE AND SHUT-OFF COCK, ASSEMBLY (Pre Mod.5028)	4	—	CA3/8
EA3.47.117	. TUBE, CONTROL, INTERMEDIATE, THROTTLE AND SHUT-OFF COCK, ASSEMBLY (Mod.5028)	4	—	
EEAS53	. . EYE-END, assembly (Pre Mod.5028)	1	—	CA3/9
EA3.47.163	. . EYE-END, assembly (Mod.5028)	1	—	
EEAS51	. . FORK-END Attaching parts for EEAS53, EA3.47.163 or EEAS51:	1	DTD683	CA3/10
SP28G6	. . Pin, taper	4	—	CA3/11
EA1.47.233	. TUBE, CONTROL, TRANSVERSE CENTRE, AT FRAME 13, ASSEMBLY	2	—	CA2/4
EEAS51	. . FORK-END Attaching parts for EEAS51:	2	DTD683	CA2/5
SP28G6	. . Pin, taper	4	—	CA2/6
EA1.47.231	. TUBE, CONTROL, TRANSVERSE, LEVER CONNECTING, ASSEMBLY (Pre Mod.2621)	4	—	
EA4.47.529	. TUBE, CONTROL, TRANSVERSE, LEVER CONNECTING, ASSEMBLY (Mod.2621) (Pre Mod.5028)	4	—	CA2/7
EA4.47.575	. TUBE, CONTROL, TRANSVERSE, LEVER CONNECTING, ASSEMBLY (Mod.5028)	4	—	
EEAS53	. . EYE-END, assembly (Pre Mod.5028)	1	—	CA2/8
EA3.47.163	. . EYE-END, assembly (Mod.5028)	1	—	
SP28G6	. . Pin, taper Attaching parts for EEAS53 and EA3.47.163:	2	—	CA2/9
EEAS50	. . FORK-END	1	DTD683	CA2/10
EEAS234	. . PLUG, end	1	DTD683	CA2/11
SP28G6	. . Pin, taper Attaching parts for EEAS234:	2	—	CA2/12

CONTROLS
ENGINE CONTROLS IN CENTRE FUSELAGE

Part Number	Description	No. Off	Matl. Spec.	Plate No.
EA1.47.249	. TUBE, CONTROL, BETWEEN OPERATING LEVER AND INTERMEDIATE CONTROL TUBE ASSEMBLY (PRE MOD.2621)	2	-	
EA4.47.531	. TUBE, CONTROL, BETWEEN OPERATING LEVER AND INTERMEDIATE CONTROL TUBE ASSEMBLY (MOD.2621) (PRE MOD.5028)	2	-	CA2/13
EA4.47.577	. TUBE, CONTROL, BETWEEN OPERATING LEVER AND INTERMEDIATE CONTROL TUBE ASSEMBLY (MOD.5028)	2	-	
EEAS53	Spares for: . . EYE-END, ASSEMBLY (Pre Mod.5028)	1	-	CA2/14
EA3.47.163	. . EYE-END, assembly (Mod.5028)	1	-	
EEAS234	. . PLUG, end (Mod.2621) Attaching parts for EEAS53, EA3.47.163 or EEAS234:	1	DTD683	CA2/15
SP28G6	. . Pin, taper	1	-	CA2/16
EA1.47.229	. TUBE, CONTROL, CONNECTING TO LEVER AT FRAME 16, ASSEMBLY (PRE MOD.2621)	4	-	
EA4.47.535	. TUBE, CONTROL, CONNECTING TO LEVER AT FRAME 16, ASSEMBLY (MOD.2621)	4	-	CA3/12
EEAS50	Spares for: . . FORK-END, adjustable	1	DTD683	CA3/13
EEAS51	. . FORK-END	1	DTD683	CA3/14
A27JT	. . NUT, 3/8" BSF	1	-	CA3/14A
EEAS49	. . PLUG, end (Pre Mod.2621)	1	-	
EEAS234	. . PLUG, end (Mod.2621) Attaching parts for EEAS51 and EEAS234 or EEAS49:	1	DTD683	CA3/15
SP28G6	. . Pin, taper	2	-	CA3/16
EA1.47.223	. TUBE, CONTROL, SHUT-OFF COCK AND THROTTLE ASSEMBLY (PRE MOD.2621)	2	-	
EA9.47.209	. TUBE, CONTROL, SHUT-OFF COCK AND THROTTLE ASSEMBLY (MOD.2621)	2	-	CA3/17
EA3.47.53	Spares for: . . FORK-END, adjustable	1	-	CA3/17A
A27JT	. . NUT, 3/8" BSF	1	-	CA3/17B
EEAS49	. . PLUG, end (Pre Mod.2621)	1	-	
EEAS234	. . PLUG, end (Mod.2621) Attaching parts for EEAS234 or EEAS49:	1	DTD683	CA3/18
SP28G6	. . Pin, taper Attaching parts for Control Tubes:	2	-	CA3/19
EEAS12/1	. Bolt, special	2	S11	CA2/17
EEAS63	. Nut, special	2	S11	CA2/18
SP90C5	. Pin, split	2	-	CA2/18A
EEAS28/3DU	. Washer	2	-	CA2/19
SP15C	. Washer	2	-	CA2/19A

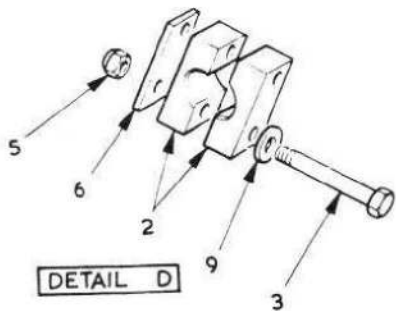
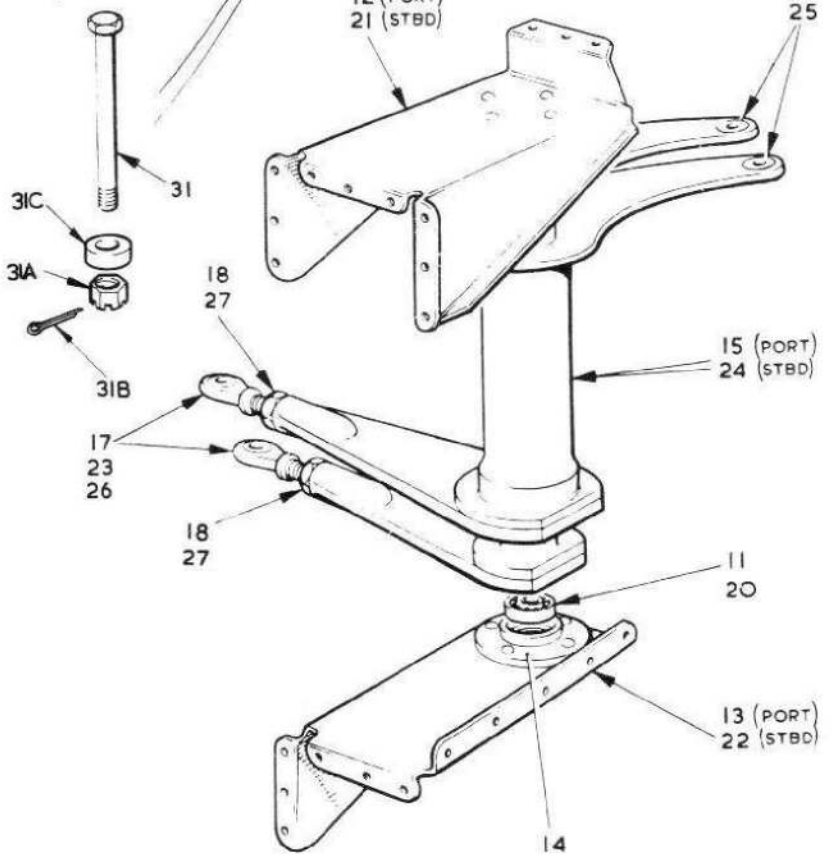
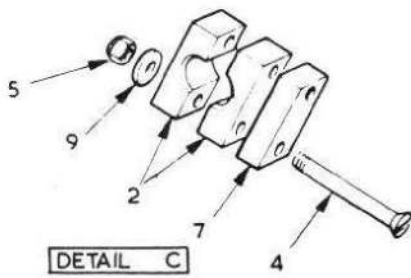
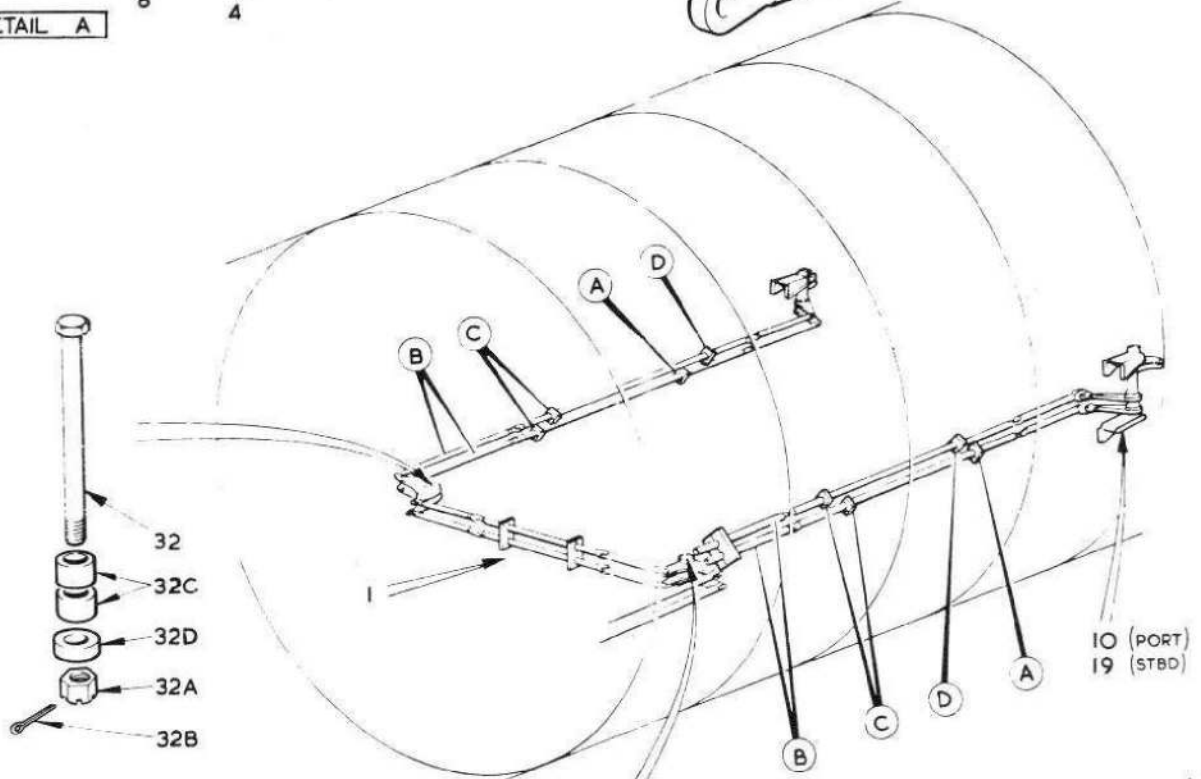
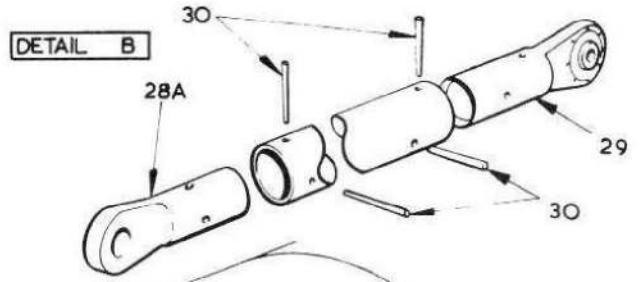
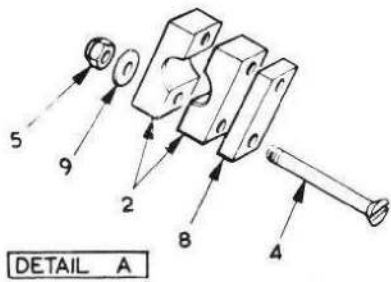


FIG. 1 ENGINE CONTROLS IN CENTRE FUSELAGE

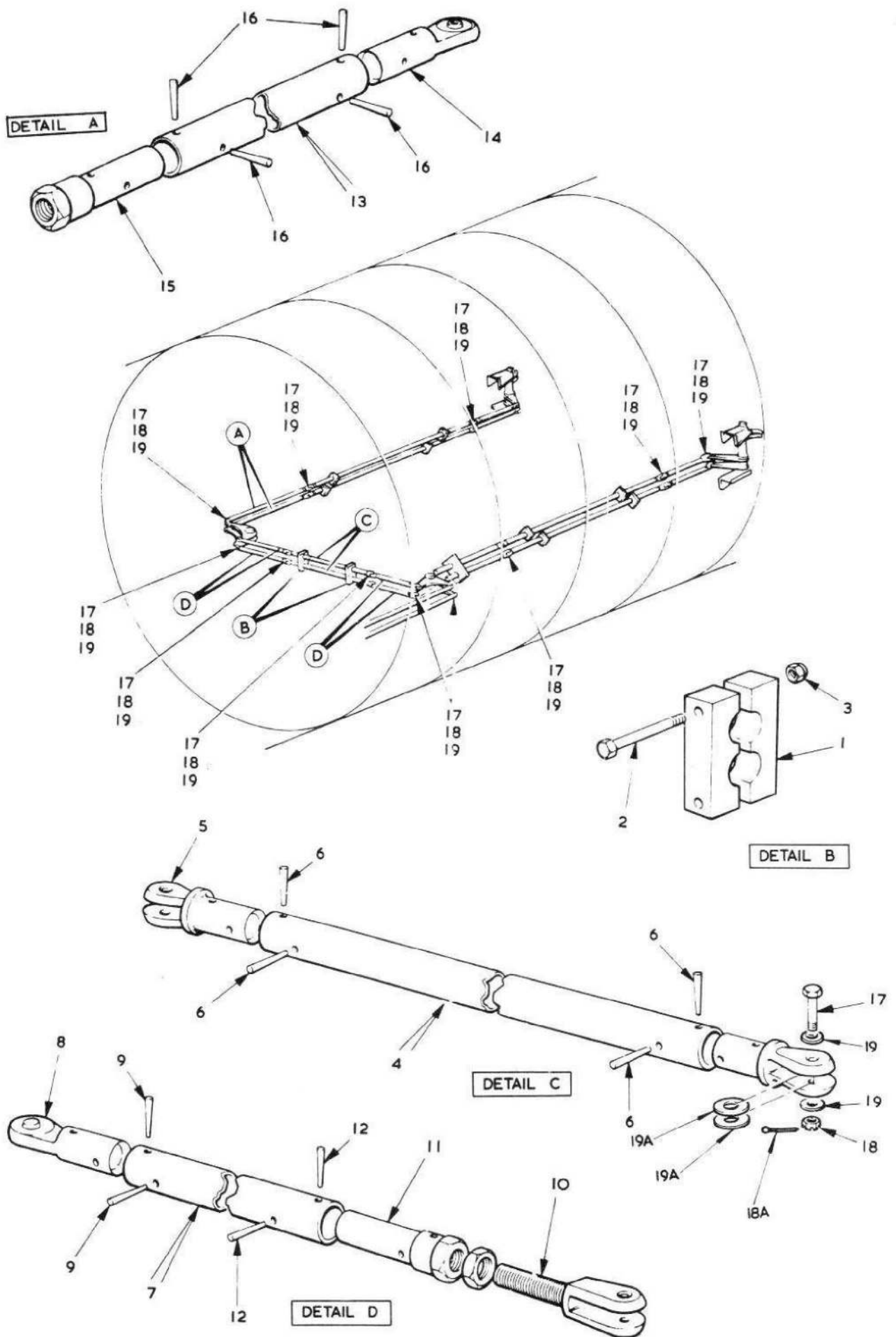


FIG 2 ENGINE CONTROLS IN CENTRE FUSELAGE

CODERS S Z

SECT CA

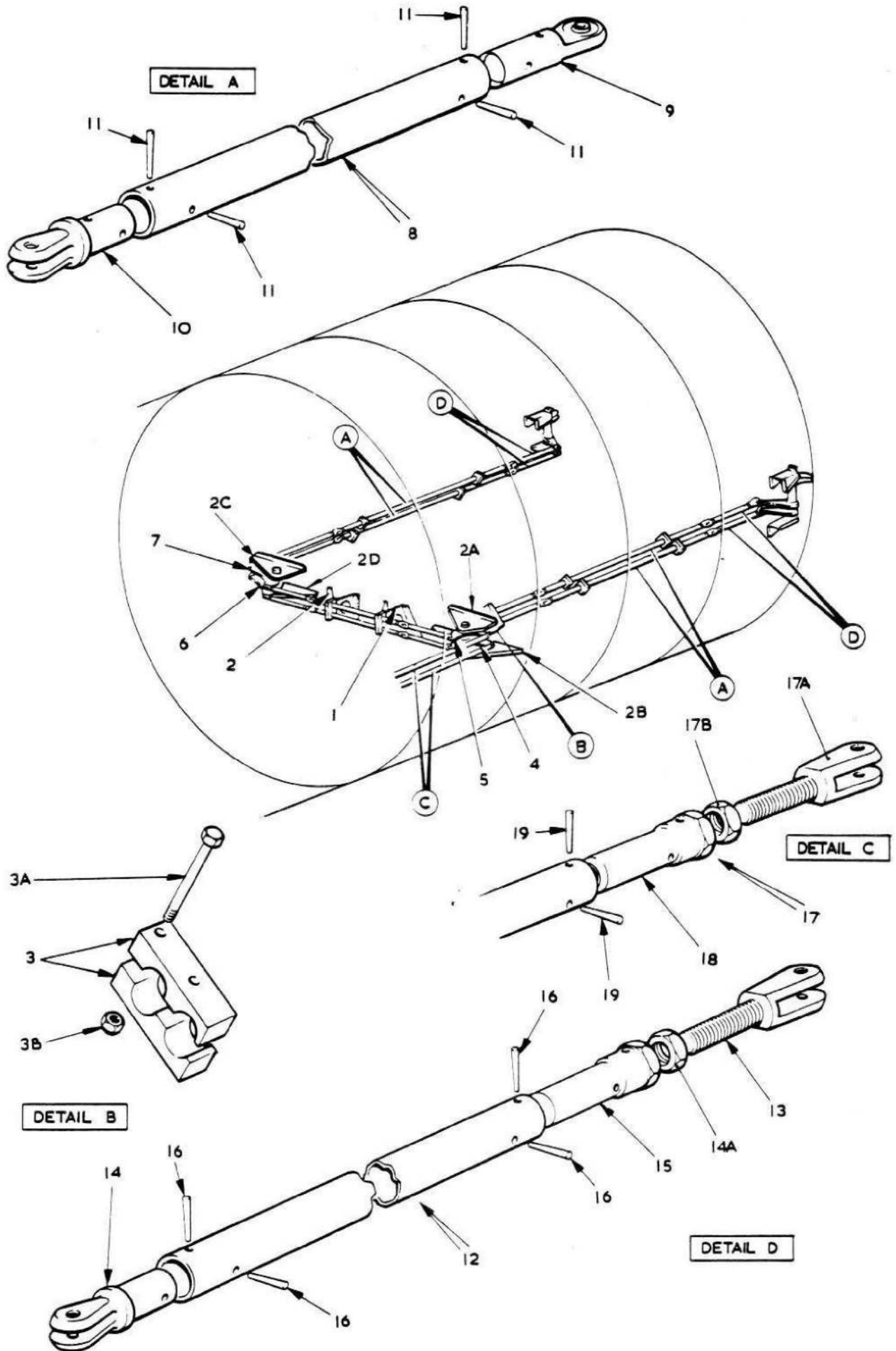


FIG3 ENGINE CONTROLS IN CENTRE FUSELAGE

ENGINE CONTROLS IN NOSE FUSELAGE

Part Number	Description	No. Off	Matl. Spec.	Plate No.
EA1.47.5	CONTROLS, ENGINE IN NOSE FUSELAGE ASSEMBLY	1	—	CB1/1
EA1.47.245	Spares for: CLAMP, grommet retaining, at pressure bulkhead	4	L40	CB1/2
A25/3C	Attaching parts for EA1.47.245: Bolt, 2BA, hex. head	2	—	CB1/3
AGS2001C1/66	Nut, stiff, 2BA	2	—	CB1/4
EA1.47.357	CLEAT, engine control support frame 4	2	L40	CB1/5
A25/7C	Attaching parts for EA1.47.357: Bolt, 2BA, hex. head	3	—	CB1/6
AGS2001C1/66	Nut, stiff, 2BA	3	—	CB1/7
SIMMONDS CORSEY SP15/7	CLIP, rigid engine control rods at frames 5, 6, 7, 8 and 10 (in pairs)	28	—	CB1/8
A25/7C	Attaching parts for SP15/7: Bolt, 2BA, hex. head at frames 5, 6, 7 and 8	2	—	CB1/9
A25/9C	Bolt, 2BA, hex. head at frame 10	2	—	CB1/10
AGS2001C1/66	Nut, stiff, 2BA	2	—	CB1/11
SIMMONDS CORSEY SP15/10	CLIP, rigid engine control rods at frame 3 (in pairs)	8	—	CB1/2
A25/10E	Attaching parts for SP15/10: Bolt, 1/4" BSF, hex. head	2	—	CB1/13
AGS2001E1/66	Nut, stiff, 1/4" BSF	2	—	CB1/14
EA1.47.251	CONTROL, engine fuel shut-off cock, L.H. (Simmonds Corsey No.7)	1	—	CB1/15
EA1.47.253	CONTROL, engine throttle, L.H. (Simmonds Corsey No.7)	1	—	CB1/16
EA1.47.255	CONTROL, engine fuel shut-off cock, R.H. (Simmonds Corsey No.7)	1	—	CB1/17
EA1.47.257	CONTROL, engine throttle, R.H. (Simmonds Corsey No.7)	1	—	CB1/18
AGS899/4	Attaching parts for EA1.47.251, EA1.47.253, EA1.47.255 and EA1.47.257: Collar, shackle pin	1	—	CB1/20
SP4YD9	Pin, shackle	1	—	CB1/21
SP90C7	Pin, split, 1/16" dia	1	—	CB1/22
Z11809	GROMMET, at pressure bulkhead	4	—	CB1/23
EA1.47.127	MOUNTING, THROTTLE BOX, ASSEMBLY	—	—	CB2/1
EA3.47.149	Spares for: BOX, THROTTLE, ASSEMBLY	1	—	CB2/2
EA1.47.165	Spares for: BRACKET, micro switch, mounting	1	L72	CB2/3
A25/8B	Attaching parts for EA1.47.165: Bolt, 4BA, hex. head	4	—	CB2/4
AGS2001B1	Nut, stiff, 4BA	4	—	CB2/5
SP15B	Washer, 4BA, plain	4	—	CB2/6

CONTROLS
ENGINE CONTROLS IN NOSE FUSELAGE

Part Number	Description						No. Off	Matl. Spec.	Plate No.
	1	2	3	4	5	6			
EB7.81.1589	1	L72	CB2/7
A25/1B	2	—	CB2/8
AGS2001B1	2	—	CB2/9
EA1.47.173	1	DTD126A	CB2/11
EA1.47.293	1	DTD126A	CB2/12
EA3.81.2645	—	—	
EA1.47.137	1	Mag. Alloy	CB2/13
AS3180/11B	1	—	CB2/15
A25/1B	1	—	CB2/16
EA1.47.157	1	L40	CB2/18
EA1.47.159	1	L40	CB2/19
EA3.81.1971	1	DTD683	CB2/20
A33B16	1	—	CB2/21
A33C20	1	—	CB2/22
EA3.81.1972	1	DTD683	CB2/23
A33B16	1	—	CB2/24
A33C20	1	—	CB2/25
AS1908C	1	—	CB2/26
A27CT	1	—	CB2/27
A33C28	1	—	CB2/28
AS1908B	1	—	CB2/10
A27CT	1	—	CB2/14
A33C28	1	—	CB2/17

R

AP101B-0402-3A

CONTROLS

Page CB.3

ENGINE CONTROLS IN NOSE FUSELAGE

Part Number	Description	No. Off	Matl. Spec.	Plate No.	
					1
EA3.47.77	LEVER, throttle L.H. assembly (Pre Mod.5028)	1	—	CB2/29	
EA3.47.137	LEVER, throttle L.H. assembly (Mod.5028)	1	—		
EA3.47.99	LEVER, shut-off cock control L.H. (Pre Mod.5028)	1	—	CB2/30	
EA3.47.139	LEVER, shut-off cock control L.H. (Mod.5028)	1	—		
EA3.47.100	LEVER, shut-off cock control R.H. (Pre Mod.5028)	1	—	CB2/31	
EA3.47.140	LEVER, shut-off cock control R.H. (Mod.5028)	1	—		
EA3.47.78	LEVER, throttle, R.H. (Pre Mod.5028)	1	L72	CB2/32	
EA3.47.138	LEVER, throttle R.H. (Mod.5028)	1	—		
A27CP	NUT, 2BA, plain, for lever stop screw	8	—	CB2/33	
A27NP	NUT, 1/2" BSF	1	—	CB2/33A	
EA1.47.295	PIN, special, shut-off cock control lever clamp	1	L40	CB2/34	
EA1.47.297	PIN, special, throttle control lever clamp	1	L40	CB2/35	
SP90E8	PIN, split, 3/32" dia	1	—	CB2/35A	
EA1.47.303	PLATE, guard Attaching parts for EA1.47.303:	1	—	CB2/36	
A32B8	Screw, 4BA, round head	6	—	CB2/37	
A32B16	Screw, 4BA, round head	3	—	CB2/38	
SP47B	Washer, 4BA, spring	9	—	CB2/39	
EA3.47.91	PLATE, reaction, shut-off cock	1	—	CB2/41	
EA3.47.93	PLATE, reaction, shut-off cock	1	—	CB2/42	
EA3.47.87	PLATE, reaction, throttle control	1	—	CB2/40	
EA3.47.101	PLATE, reaction, throttle control Attaching parts for EA3.47.87 and EA3.47.101:	1	—	CB2/43	
A25/1B	Bolt, 4BA	1	—	CB2/43A	
AGS2001B1	Nut, 4BA	1	—	CB2/43B	
SP15B	Washer	1	—	CB2/43C	
EA3.47.145	PLATE, tapped link locking Attaching parts for EA3.47.145:	1	—	CB2/44	
AS1242/4B	Bolt, 4BA, csk. head	2	—	CB2/45	
AGS2001B1	Nut, stiff, 4BA	2	—	CB2/46	
SP15B	Washer, 4BA, plain	2	—	CB2/47	
EA3.81.1997	PLATE, push switch protection Attaching parts for EA3.81.1997:	2	—	CB2/49	
A44Z10	Screw, 8BA, round head	3	—	CB2/50	
A32C28	SCREW, stop, for levers	6	—	CB2/51	
A32C40	SCREW, stop, for levers	2	—	CB2/52	
EA3.47.85	SHIM, at throttle, levers	2	—	CB2/53	
EA3.47.103	SHIM, at shut-off cock levers	2	—	CB2/54	
EA3.81.1995	SLEEVE, at relight switches	2	—	CB2/55	
R MS5752	SWITCH, micro (Mod.5262) Attaching parts for MS5752:—	1	—	CB2/56	
A25/8B	Bolt, 4BA, hex. head	2	—	CB2/57	
AGS2001B1	Nut, stiff, 4BA	2	—	CB2/58	
SP15B	Washer, 4BA, plain	2	—	CB2/59	

CONTROLS
ENGINE CONTROLS IN NOSE FUSELAGE

Part Number	1 2 3 4 5 6	Description	No. Off	Matl. Spec.	Plate No.
DOWTY C5162Y		SWITCH, push, type A Attaching parts for C5162Y:	2	—	CB2/60
A43Z12		Screw, 8BA, cheese head	2	—	CB2/61
EA3.47.83		TUBE, bearing, at throttle levers	1	—	CB2/64
EA3.47.81		WASHER, special friction, at throttle levers	2	—	CB2/65
EA3.47.89		WASHER, special friction, at shut-off cock levers	2	—	CB2/66
SP15N		WASHER Attaching parts for EA3.47.149:	1	—	CB2/66A
A25/2C		Bolt, 2BA, hex. head	3	—	CB2/67
AS1246/2C		Bolt, 2BA, round head	2	—	CB2/68
AS2922/2.1/2C		Bolt, 2BA, round head	6	—	CB2/69
AS2922/3C		Bolt, 2BA, round head	5	—	CB2/70
AGS2001C1/66		Nut, stiff, 2BA	5	—	CB2/71
EB6.47.5		PACKING, for rigid edge at frame 10	2	—	CB1/53
EB6.47.7		PACKING, for rigid clip at frame 10	2	—	CB1/54
EA1.47.217		SUPPORT, ENGINE CONTROL RODS, FRAME 12, ASSEMBLY Spares for:	1	—	CB1/55
SP15/7		CLIP, rigid (Simmonds Corsey)	4	—	CB1/56

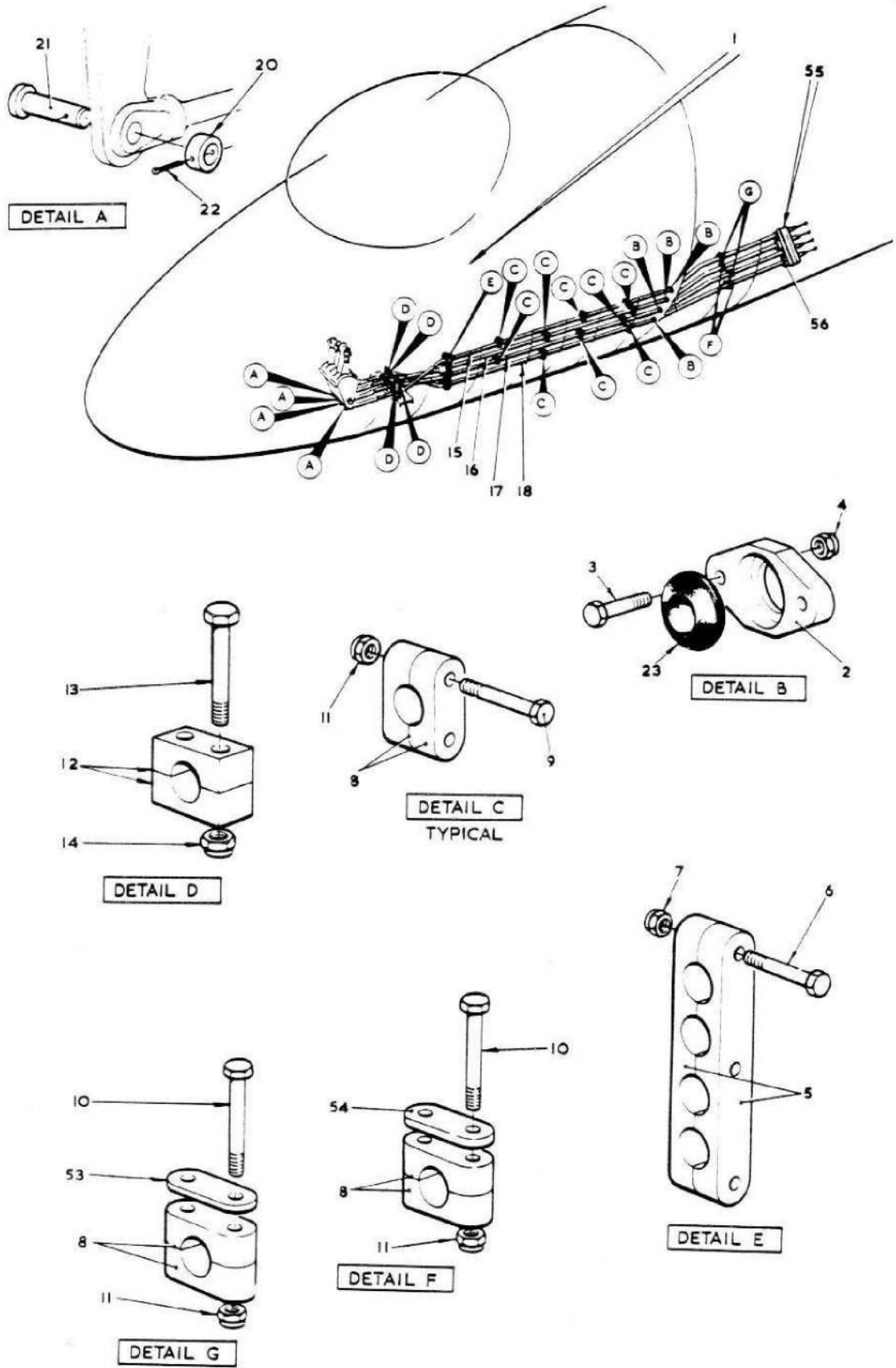


FIG. 1 ENGINE CONTROLS IN NOSE FUSELAGE

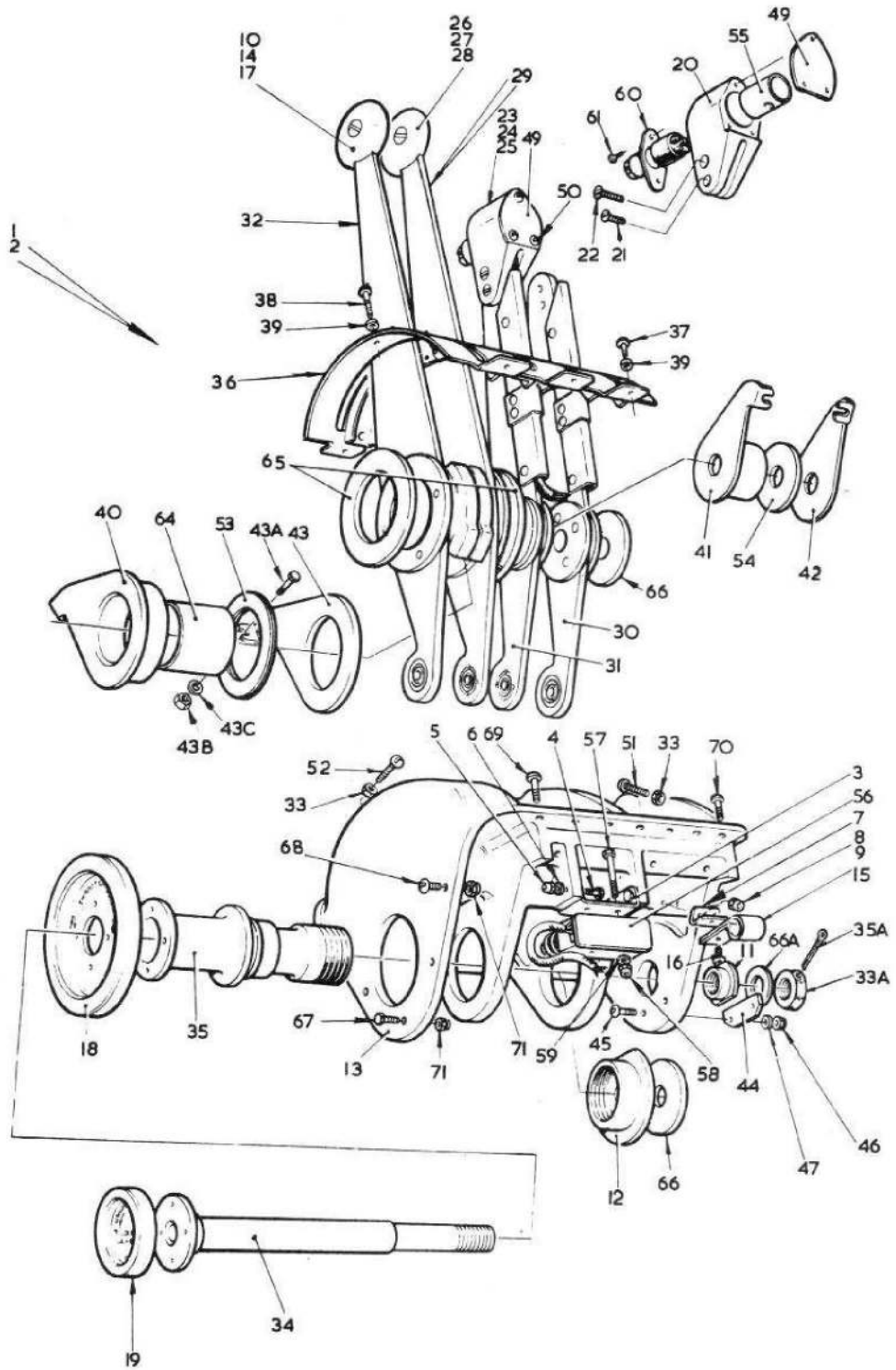


FIG 2 ENGINE CONTROLS IN NOSE FUSELAGE

CODE R

SECT CB

AP101B-0402-3A

Page CC.1

CONTROLS
ENGINE CONTROLS IN WING PORT

Part Number	Description	No. Off	Matl. Spec.	Plate No.
EA3.47.21	CONTROLS, ENGINE IN WING PORT, ASSEMBLY	—	—	
	Spares for:			
EA1.47.81	. BLOCK, split, sealing, at rib 1	1	—	CC1/1
	Attaching parts for EA1.47.81:			
A25/2B	. Bolt, 4BA	6	—	CC1/2
AGS2001B1	. Nut, 4BA	6	—	CC1/3
SP15C	. Washer	6	—	CC1/4
EA1.47.15	. LEVER, CONTROL CONNECTING ASSEMBLY (PRE MOD.5028)	1	—	CC1/5
EA3.47.187	. LEVER, CONTROL CONNECTING ASSEMBLY (MOD.5028)	1	—	
	Spares for:			
SKEFKO EE.4	. . BEARING, ballrace, throttle	1	—	CC1/6
SKEFKO EE.5	. . BEARING, ballrace shut-off cock	1	—	CC1/7
EA1.47.63	. . CUP, lever, mounting, throttle	1	L64	CC1/8
EA1.47.57	. . CUP, lever, mounting, shut-off cock	1	L64	CC1/9
EA1.47.61	. . COVER, plate, bearing, throttle	1	L64	CC1/10
EA1.47.55	. . COVER, plate, bearing, shut-off cock	1	L64	CC1/11
HOFFMANN CJO	. . JOINT, self aligning	4	—	CC1/12
EA1.47.69	. . LEVER, control, throttle (Pre Mod.5028)	1	L72	CC1/13
EA3.47.191	. . LEVER, control, throttle (Mod.5028)	1	L72	
EA1.47.67	. . LEVER, control, shut-off cock (Pre Mod.5028)	1	L72	CC1/14
EA3.47.189	. . LEVER, control, shut-off cock (Mod.5028)	1	L72	
EA1.47.59	. . SLEEVE, spacing	1	L64	CC1/15
EA1.47.53	. . SPINDLE, control	1	L65	CC1/16
EA1.47.65	. . WASHER, clamping	1	L64	CC1/17
EA3.47.175	. LEVER, control and mounting assembly (Pre Mod.5177)	1	—	CC1/18
EA3.47.279	. LEVER, control and mounting assembly (Mod.5177)	1	—	
	Attaching parts for EA3.47.175 or EA3.47.279:			
A25/6C	. Bolt, 2BA	2	—	CC1/19
A25/3E	. Bolt, ¼" BSF	1	—	CC1/20
A25/4E	. Bolt, ¼" BSF	1	—	CC1/21
A27CS	. Nut, 2BA	2	—	CC1/22
A27ES	. Nut, ¼" BSF	2	—	CC1/23
SP90C4	. Pin, split	4	—	CC1/24
SP15E	. Washer	2	—	CC1/25
SP15C	. Washer	2	—	CC1/26
EA3.47.23	. TUBE, CONTROL ASSEMBLY (PRE MOD.2621)	2	—	CC1/27
EA4.47.551	. TUBE, CONTROL ASSEMBLY (MOD.2621)	2	—	
	Spares for:			
EA3.47.53	. . FORK-END, adjustable	1	—	CC1/28
A27JT	. . NUT, 3/8" BSF	1	—	CC1/29

CONTROLS

ENGINE CONTROLS IN WING PORT

Part Number	Description	No. Off	Mati. Spec.	Plate No.
EA3.47.25	. TUBE, CONTROL ASSEMBLY Spares for:	1	—	CC1/30
EA3.47.49	. . FORK-END, adjustable	1	—	CC1/31
A27ET	. . NUT, ¼" BSF	1	—	CC1/32
EA3.47.33	. TUBE, CONTROL ASSEMBLY	1	—	CC1/33
EA3.47.31	. TUBE, CONTROL ASSEMBLY Spares for:	1	—	CC1/34
AGS385B	. . BOLT, ball	1	—	CC1/35
EA3.47.41	. . FORK-END, control tube	1	—	CC1/36
A27ET	. . NUT, thin	2	—	CC1/37
A27ETL	. . NUT, thin, L.H.	1	—	CC1/38
SP90C5	. . PIN, split	1	—	CC1/39
SP28G6	. . PIN, taper	4	—	CC1/40
AGS385C	. . PLUG	1	—	CC1/41
EA3.47.39	. . PLUG, end	1	—	CC1/42
AGS385A	. . SOCKET	1	—	CC1/43
EA1.47.359	. . TURNBUCKLE	1	—	CC1/44
EA3.47.29	. TUBE, control, assembly Attaching parts for control tubes:	1	—	CC1/45
EEAS12/1	. Bolt, special	2	S96	CC1/46
EEAS63	. Nut, special	2	S96	CC1/47
SP90C4	. Pin, split	2	—	CC1/48
SP15C	. Washer, spacing	4	—	CC1/49
EEAS28/3DU	. Washer (under nut)	QR	—	CC1/50

R

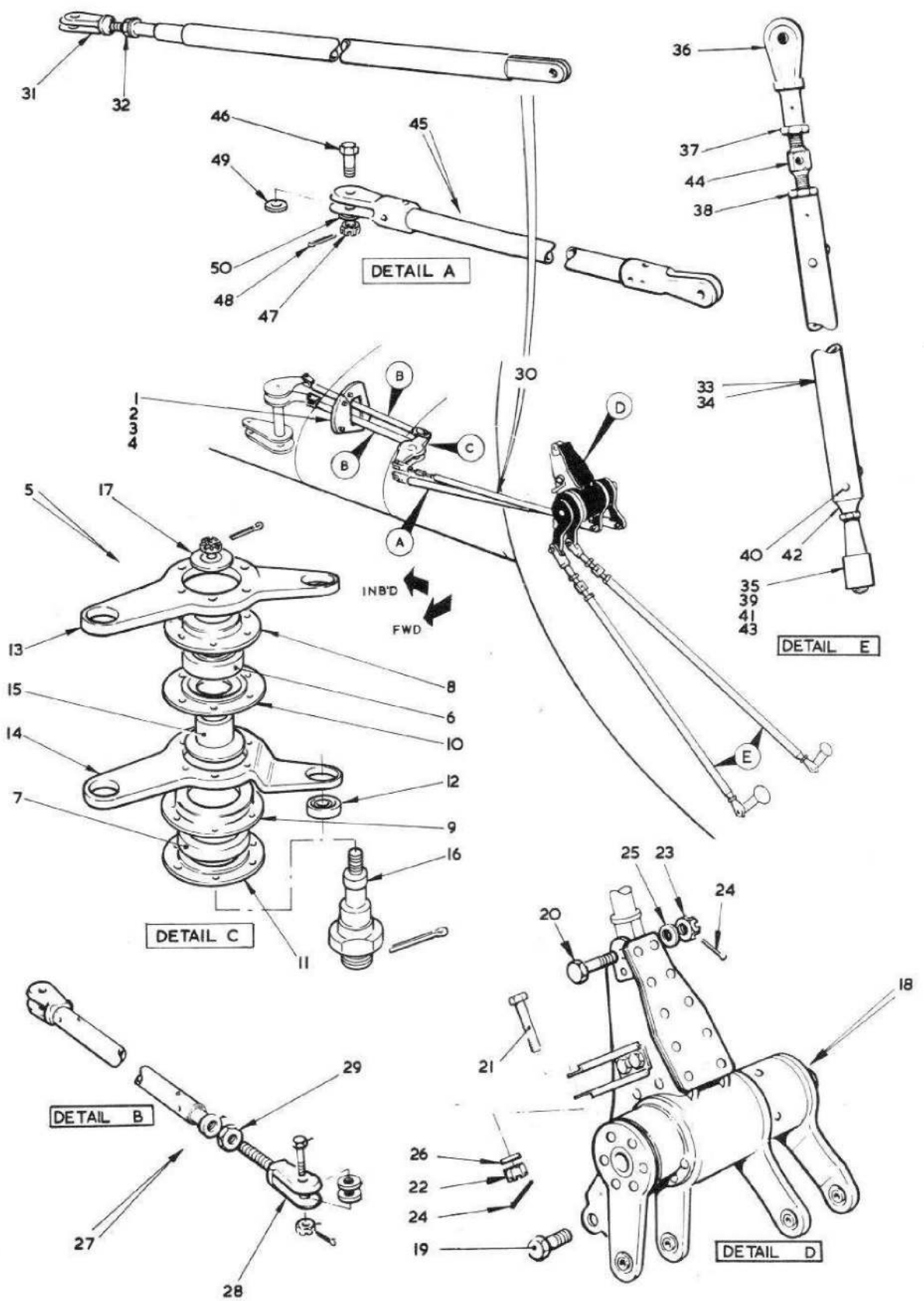


FIG. I ENGINE CONTROLS IN PORT MAINPLANE

This file was downloaded
from the RTFM Library.

Link: www.scottbouch.com/rtfm

Please see site for usage terms,
and more aircraft documents.

