

AP101B-0402-3A

Page DA.1

CONTROLS  
FLYING CONTROLS IN COCKPIT

Part Number	Description	No. Off						Matl. Spec.	Plate No.	
		1	2	3	4	5	6			
EA3.45.3	FLYING CONTROLS IN COCKPIT ASSEMBLY							—	—	DA1/27
L3/5578GF116	Spares for: CHARGE, H.E. emergency							1	—	DA1/3
EA3.45.5	CONTROLS ON PILOT'S FLOOR AND FLOOR FIXING, ASSEMBLY							—	—	DA1/28
EA3.45.247	Spares for: AILERON BIAS, ASSEMBLY							1	—	DA4/36
E.E. CO. LTD. BRADFORD AE.259 Mk.2	Spares for: ACTUATOR, linear, type 259 Attaching parts for AE259 Mk.2							1	—	DA4/35
EA6.45.345	Bolt, shouldered at angle end							1	S92	DA4/24
A25/3E	Bolt, 1/4" BSF at lever end							1	—	DA4/22
A27ES	Nut, slotted, 1/4" BSF							2	—	DA4/29
SP90C7	Pin, split, 1/16" dia							2	—	DA4/32
EA6.45.337	ANGLE							1	L72	DA4/23
EA6.45.338	ANGLE							1	L72	DA4/34
A25-2C	Attaching parts for EA6.45.337 and EA6.45.338: Bolt, 2BA							2	—	DA4/33
A25-1C	Bolt, 2BA							4	—	DA4/28
AGS2001C1/66	Nut, stiff, 2BA							6	—	DA4/26
SP13C	Washer							4	—	DA4/27
AGS899/4	COLLAR							1	—	DA4/27A
SP4Y/D5	PIN, 1/4" dia							1	—	DA4/27B
SP90C5	PIN, split 1/16" dia							1	—	DA4/27C
SP8Y16	ROLLER							1	—	DA4/27D
EA6.45.335	TUBE, torque, and levers, assembly Attaching parts for EA6.45.335:							1	—	DA4/17
EA6.45.343	Bolt, shouldered							1	S92	DA4/16
EA6.45.341	Bush, oilite							2	—	DA4/25
A27ES	Nut, slotted, 1/4" BSF							1	—	DA4/30
SP90C7	Pin, split, 1/16" dia							1	—	DA4/31
SP42G	Washer, tab							1	—	DA4/18
EA3.45.13	COLUMN, CONTROL, PILOT'S, ASSEMBLY (For Aircraft Not Embodying Mod.5097)							1	—	DA2/1
EA3.45.541	COLUMN, CONTROL, PILOT'S, ASSEMBLY (MOD.4491 — S.O.O.) (For Aircraft Not Embodying Mod.5097)							1	—	
EA3.45.5229	COLUMN, CONTROL, PILOT'S, ASSEMBLY (MOD.4491 — S.O.O.) (MOD.4956) (PRE MOD 272) (For Aircraft Embodying Mod.5097)							1	—	
EA3 45.5093	COLUMN, CONTROL, PILOT'S, ASSEMBLY (MOD.4491 — S.O.O.) (MOD.4956) (MOD.272) (For Aircraft Embodying Mod.5097)							1	—	
HOFFMANN T17	Spares for: BEARING, ball-race, aileron, control							1	—	DA3/53
HOFFMANN T25	BEARING, ball-race, pilot's hand grip							1	—	DA3/39

R

CONTROLS  
FLYING CONTROLS IN COCKPIT

Part Number	1 2 3 4 5 6	Description	No. Off	Matl. Spec.	Plate No.
EA6.45.291		BLOCK, brake cable adjusting Attaching parts for EA6.45.291:—	1	DTD683	DA2/3
AS1242-8C		Bolt, csk. head 2BA	1	—	DA2/2
A27CS		Nut, slotted, 2BA	1	—	DA2/14
SP90C7		Pin, split, 1/16" dia	1	—	DA2/13
A33C24		Screw, csk. head 2BA	2	—	DA2/22
SP15C		Washer	1	—	DA2/17
AS1248½G		BOLT, mush. head 5/16" BSF	2	—	DA3/39A
EB6.81.877		BRACKET, clip	1	—	DA3/16
EB6.81.2253		BRACKET, switch	1	—	DA3/21
EA6.45.299		BRACKET (Used on aircraft not embodying Mod.272) (Alt R60/118)	1	—	
EA1.45.107		BUSH, main bearing attached to bottom casting	1	L65	DA2/4
EA3.81.6779		CABLE, ASSEMBLY, N69B. from dive brake control switch to terminal block (Mod.5091)	1	—	DA3/6
EA3.45.473		CABLE, brake Spares for:—	1	—	DA3/26
ACO1352 or MPP1505		NIPPLE, swaged (SAS 4797)	2	—	DA3/26A
AGS899/2 SP4Y/B9 SP90C5		Collar	1	—	DA3/19
		Pin, shackle	1	—	DA3/31
		Pin, split, 1/16" dia	1	—	DA3/17
HV3710 BOWDEN 6/40 AS1900C		CAP, Helvin	1	—	DA3/70
		CLIP, pliable, brake cable	1	—	DA3/56
		CLIP	1	—	DA3/57
		Attaching parts for AS1900C:—			
AGS2001B4 A32/B12 AGS2035B		Nut, stiff, 4BA	1	—	DA3/68A
		Screw, round head 4BA	1	—	DA3/68
		Washer, shakeproof	1	—	DA3/68B
EA6.45.245		COLUMN, CONTROL, SUB-ASSEMBLY Spares for:—	1	—	DA3/50
EA6.45.247		CASTING, top	1	DTD300	DA3/51
EA1.45.1021		TUBE, 2½" o/d x 20 SWG	1	T45	DA3/54
EA1.45.91		YOKE, bottom casting	1	DTD300	DA3/65
EA3.45.539		CONTROL, ELEVATOR GROUP (MOD.4491 — S.O.O.) Spares for:—	1	—	DA2/35
HOFFMANN T33		BEARING, ballrace	1	—	DA2/31
A59/22G		BOLT, 5/16" BSF (MOD.4491 — S.O.O.)	6	—	DA2/19
EA1.45.177		DIAPHRAGM, ballrace housing mounting	1	DTD390	DA2/33
EA1.45.175		HOUSING, ballrace	1	L45	DA2/21
EA1.45.133		LEVER, ELEVATOR OPERATING, GROUP	1	—	DA2/10
EA3.45.523		LEVER, ELEVATOR, OPERATING, GROUP, (MOD.4491 — S.O.O.) Consisting of:—	1	—	
SKEFKO CBA2 EEAS3D		BEARING, ballrace	1	—	DA2/8
		HOUSING, ballrace	1	L40	DA2/9
EA1.45.603		LEVER	1	L40	DA2/24

CONTROLS  
FLYING CONTROLS IN COCKPIT

Part Number	Description						No. Off	Matl. Spec.	Plate No.
	1	2	3	4	5	6			
EA3.45.519	.	.	.	.	.	LEVER (EA1.45.503 modified) (Mod.4491 - S.O.O.)	1	L40	
EEAS4/20C	.	.	.	.	.	WASHER, packing Attaching parts for EA3.45.523:	2	DTD390	DA2/7
AS1242/5E	.	.	.	.	.	Bolt, 1/4" BSF	8	-	
A27ES	.	.	.	.	.	Nut, 1/4" BSF	8	-	
SP90C5	.	.	.	.	.	Pin, split	8	-	
EA3.45.517	.	.	.	.	.	Ring, clamp (Mod.4491 - S.O.O.)	1	L72	
SP16E	.	.	.	.	.	Washer	8	-	
EEAS37/14A	.	.	.	.	.	NIPPLE, 4BA 1/4" dia (Pre Mod.4491)	12	S96	DA2/19
A27GS	.	.	.	.	.	NUT, 5/16" BSF (Mod.4491 - S.O.O.)	6	-	
SP90C7	.	.	.	.	.	PIN, split (Mod.4491 - S.O.O.)	6	-	
EA3.45.515	.	.	.	.	.	RING, clamp, ball-race (Mod.4491 - S.O.O.) Attaching parts for EA3.45.515:	1	L72	
AS1242/3C	.	.	.	.	.	Bolt, 2BA	8	-	
A27CS	.	.	.	.	.	Nut, 2BA	8	-	
SP90C5	.	.	.	.	.	Pin, split	8	-	
SP15C	.	.	.	.	.	Washer	8	-	
EA1.45.173	.	.	.	.	.	SLEEVE, lever mounting	1	L40	DA2/32
EA1.45.105	.	.	.	.	.	SOCKET, mounting, elevator control to control column	1	L40	DA2/11
EEAS38/2A	.	.	.	.	.	SPOKE, 4BA (Pre Mod.4491)	6	S96	DA2/20
EA1.45.171	.	.	.	.	.	TUBE, torque, connecting, socket and lever, 2" o/d x 14 SWG	1	T4	DA2/12
AS1903G16	.	.	.	.	.	WASHER, saddle (Mod.4491 - S.O.O.)	12	-	
SP16G	.	.	.	.	.	WASHER (Mod.4491 - S.O.O.) Attaching parts for EA1.45.125 or EA3.45.539:	6	-	
EA1.45.1153	.	.	.	.	.	Bolt, special	1	S11	DA2/16
A27JS	.	.	.	.	.	Nut, slotted, 3/8" BSF	1	-	DA2/18
SP90C7	.	.	.	.	.	Pin, split 1/16" dia	1	-	DA2/15
EA1.45.1025	.	.	.	.	.	FORK-END Attaching parts for EA1.45.1025:	1	S11	DA3/63
EEAS37/1A	.	.	.	.	.	Nipple, 6BA 3/16" dia	4	S96	DA3/60
EEAS38/1A	.	.	.	.	.	Spoke, 6BA	2	S96	DA3/61
EA6.45.267	.	.	.	.	.	GEAR, bevel	1	S96	DA3/46
EA6.45.265	.	.	.	.	.	HOUSING, control column Attaching parts for EA6.45.265:	1	S11	DA3/36
AS1248/8C	.	.	.	.	.	Bolt, mush. head 2BA	3	-	DA3/44
AGS2002C1	.	.	.	.	.	Nut, stiff, 2BA	3	-	DA3/24
EA1.45.1059	.	.	.	.	.	LABEL, quadrant to mesh centrally with control unit	1	L72	DA3/38
EA1.81.148	.	.	.	.	.	LABEL (Used on aircraft not embodying Mod.272) (Alt R60/118)	1	-	
EB6.45.37	.	.	.	.	.	LABEL	1	-	DA3/38A
EA6.45.215	.	.	.	.	.	LEVER, BRAKE CABLE OPERATING, GROUP Spares for:	1	-	DA3/25
EA6.45.217	.	.	.	.	.	CAP, for collar member	1	DTD126	DA3/30
EA6.45.219	.	.	.	.	.	COLLAR, fulcrum pin retaining	1	DTD683	DA3/32
EA6.45.221	.	.	.	.	.	LEVER	1	-	DA3/32A
EA6.45.222	.	.	.	.	.	LEVER	1	-	DA3/32B
EA6.45.223	.	.	.	.	.	PIECE, distance	1	-	DA3/32C

CONTROLS  
FLYING CONTROLS IN COCKPIT

Part Number	1 2 3 4 5 6	Description	No. Off	Mati. Spec.	Plate No.
SP90B3		PIN, split, 3/64" dia	2	—	DA3/32D
SP90B5		PIN, split, 3/64" dia	1	—	DA3/32E
SP15C		WASHER	2	—	DA3/32F
		Attaching parts for EA6.45.215:			
AGS899/2		Collar	1	—	DA3/27
SP4Y/B9		Pin, shackle	1	—	DA3/28
SP90C3		Pin, split 1/16" dia	1	—	DA3/29
EA6.45.289		LEVER, pilot's brake operating	1	Mag. Alloy	DA3/1
		Attaching parts for EA6.45.289:			
AGS899/2		Collar, 3/16" dia	2	—	DA3/9
SP4Y/B14		Pin, shackle 3/16" dia	1	—	DA3/3
SP4Y/B15		Pin, shackle 3/16" dia	1	—	DA3/11
SP90C3		Pin, split 1/16" dia	2	—	DA3/2
SP15C		Washer	1	—	DA3/10
EA3.45.257		LUG, brake lever pivot	1	DTD683	DA3/4
		Attaching parts for EA3.45.257:			
EEAS1/1C		Screw, csk, head 2BA	2	—	DA3/4A
EA6.45.249		MECHANISM, BRAKE OPERATING, GROUP	1	—	DA3/45
		Consisting of:			
EA6.45.285		PIN, fulcrum, brake lever cable operating	1	S92	DA3/52
EA6.45.255		PLUG, screwed, spring retaining	1	DTD683	DA3/64
EA6.45.253		PLUNGER	1	L40	DA3/59
EA6.45.251		SHAFT	1	S11	DA3/49
EA1.45.679		SPRING	1	DTD215	DA3/62
EA6.45.263		NUT, clamp, bevel gear ballrace retaining	1	DTD683	DA3/41
EA6.45.269		NUT, clamp, ballrace retaining	1	DTD683	DA3/40
EA6.45.271		NUT, clamp, ballrace retaining	1	DTD683	DA3/37
A27NT		NUT, thin, 1/2" BSF	1	—	DA3/37A
EA1.45.153		PLATE, cover at bottom casting	2	L72	DA2/29
		Attaching parts for EA1.45.153:			
A31B12		Screw, cheese head 4BA	2	—	DA2/27
SP47B		Washer, spring	2	—	DA2/26
EA3.45.259		PLATE, brake locking	1	L72	DA3/20
EA3.45.261		PLATE, brake mechanism retaining	1	L72	DA3/15
		Attaching parts for EA3.45.261:			
EEAS1/1C		Screw, csk, head 2BA	2	—	DA3/5
EA6.45.273		PLATE, cover, brake mechanism	1	DTD683	DA3/43
		Attaching parts for EA6.45.273:			
A33C16		Screw, csk, head 2BA	4	—	DA3/43A
EB6.45.33		PLATE, cover, brake mechanism access (Mod.1721)	1	—	DA3/23
EA6.45.283		PLATE, cover (Used on aircraft not embodying Mod.272) (Alt.R60/118)	1	—	
EA6.45.287		PLUNGER, brake mechanism operating	1	L40	DA3/12
EA3.45.265		RING, locking, brake mechanism	1	DTD683	DA3/18
2C3/16S790		SCREW, conduit clamping	2	—	DA3/18A
A39B10		SCREW, 4BA	2	—	DA3/13
A31B12		SCREW	10	—	DA3/14
EA1.31.277		SHIM, brake mechanism cover plate	4	Alum	DA3/42
EA1.45.123		SOCKET, conduit, brake cable adjuster	1	L40	DA3/55
EA1.45.1029		SPHERE, control column locking	1	DTD265	DA2/5
EA3.45.263		SPRING, locking plate compression	1	DTD215	DA3/22

R

## FLYING CONTROLS IN COCKPIT

Part Number	1 2 3 4 5 6	Description	No. Off	Matl. Spec.	Plate No.
EB6.81.859		STOP, AIRBRAKE SWITCH OVERSHOOT ASSEMBLY (MOD.1721) Spares for:	1	—	DA3/8
EB6.81.863		BASE	1	—	DA3/8A
EB6.81.865		PIECE, packing	1	—	DA3/8B
EB6.81.873		RAIL, guide	2	—	DA3/8C
EB6.81.861		SLIDE	1	—	DA3/8D
EB6.81.871		SPRING	1	—	DA3/8E
EB6.81.869		SPRING, guide	1	—	DA3/8F
EB6.81.867		STUD	1	—	DA3/8G
A33B12		Attaching parts for EB6.81.859 Screw, csk. head 4BA	2	—	DA3/8H
AGS2036B		Washer, shakeproof	2	—	DA3/8J
EA1.45.87		SUPPORT, CONTROL COLUMN CASTING, GROUP (PRE MOD.5028)	1	—	DA2/46
EA3.45.695		SUPPORT, CONTROL COLUMN, CASTING, GROUP (MOD.5028)	1	—	
EA3.45.5095		SUPPORT, CONTROL COLUMN, CASTING, GROUP (MOD.4956) (For aircraft not embodying Mod.5028)	1	—	
EA3.45.5097		SUPPORT, CONTROL COLUMN, CASTING, GROUP (MOD.4956) (For aircraft embodying Mod.5028) Spares for:	1	—	
HOFFMANN T17		BEARING, ballrace, main control column	2	—	DA2/28
HOFFMANN T25		BEARING, ballrace, between sleeve and support casting	2	—	DA2/23
EA1.45.93		CASTING, control column support (Pre Mod.5028)	1	DTD289	DA2/25
EA3.45.711		CASTING, control column, support (Mod.5028)	1	DTD289	
EA1.45.1027		FORK-END	1	S11	DA2/6
EA1.45.961		LEVER, AILERON OPERATING, ASSEMBLY Spares for:	1	—	DA2/50
SKEFKO CBA2		BEARING, ballrace	1	—	DA2/43
AGS798E		EYE-BOLT Attaching parts for AGS798E:	1	—	DA2/53
EA1.45.483		Collar	1	L64	DA2/52
A27EP		Nut, 1/4" BSF	1	—	DA2/47
EEAS3D		HOUSING, ballrace	1	L40	DA2/44
EA1.45.959		LEVER, operating	1	DTD683	DA2/51
EEAS4/20C		WASHER, packing Attaching parts for EA1.45.961:	2	L72	DA2/41
EA1.45.1033		Bolt, special	3	S11	DA2/36
AS1242/4C		Bolt, csk. head 2BA	1	—	DA2/49
A27CP		Nut, 2BA	4	—	DA2/40
SP15C		Washer	1	—	DA2/42
EEAS37/1A		NIPPLE, 6BA 3/16" dia (Pre Mod.4956)	4	S96	DA2/38
A27CT		NUT, thin, 2BA	2	—	DA2/30

CONTROLS  
FLYING CONTROLS IN COCKPIT

Part Number	Description						No. Off	Matl. Spec.	Plate No.	
	1	2	3	4	5	6				
EA1.45.103	.	.	.	.	.	.	SLEEVE, sprocket mounting (Pre-Mod 4956)	1	L40	DA2/45
EA3.45.5099	.	.	.	.	.	.	SLEEVE, sprocket mounting (Mod 4956) Attaching parts for EA3.45.5099:—	1	L65	
EA3.45.5103	.	.	.	.	.	.	Bolt, 2BA	2	S97	
A27CS	.	.	.	.	.	.	Nut, 2BA	2	—	
SP90C5	.	.	.	.	.	.	Pin, split	2	—	
EA3.45.5101	.	.	.	.	.	.	Washer, saddle	4	L65	
SP13C	.	.	.	.	.	.	Washer	2	—	
EEAS38/1A	.	.	.	.	.	.	SPOKE, 6BA (Pre-Mod 4956)	2	S96	DA2/48
EA1.45.619	.	.	.	.	.	.	SPROCKET	1	L40	DA2/39
EA1.45.165	.	.	.	.	.	.	STUD, mounting	2	DTD126A	DA2/37
EA1.45.993	.	.	.	.	.	.	TUBE, distance, between sprocket and casting	1	T4	DA2/34
D10001L	.	.	.	.	.	.	SWITCH, Type 8B, No. 1 (For a/c embodying Mod 272)	1	—	DA3/7
XD778	.	.	.	.	.	.	SWITCH, (Used on aircraft not embodying Mod 272) (Alt. R60/118)	1	—	
XD776	.	.	.	.	.	.	SWITCH (Pre-Mod 272)	1	—	
EA1.45.971	.	.	.	.	.	.	TUBE, INNER, AILERON OPERATING, ASSEMBLY (Supplied with bevel gear EA6.45.267) Spares for:—	1	—	DA3/57
HOFFMANN T29	.	.	.	.	.	.	BEARING, ballrace	1	—	DA3/33
EEAS37/13A	.	.	.	.	.	.	NIPPLE, 6BA 3/16" dia	4	S96	DA3/48
EA1.45.101	.	.	.	.	.	.	QUADRANT	1	—	DA3/47A
EEAS38/1A	.	.	.	.	.	.	SPOKE, 6BA	2	S96	DA3/47
EA1.45.1023	.	.	.	.	.	.	TUBE, operating, 1 <sup>3</sup> / <sub>4</sub> " o/d x 14 SWG	1	T45	DA3/58
EA1.81.147	.	.	.	.	.	.	WASHER, packing (Used on aircraft not embodying Mod 272) (Alt. R60/118)	1	—	
SP47B	.	.	.	.	.	.	WASHER	10	—	DA3/69
EA6.45.261	.	.	.	.	.	.	WASHER, special	1	DTD683	DA3/34
EA3.45.413	.	.	.	.	.	.	WASHER, special	1	Alum	DA3/35
SP47G	.	.	.	.	.	.	WASHER, spring	2	—	DA3/35A
EB6.45.53	.	.	.	.	.	.	WHEEL, PILOT'S CONTROL ASSEMBLY (MOD 1925) Spares for:—	1	—	DA4/9
DUNLOP ACO21077	.	.	.	.	.	.	CIRCLIP	1	—	DA4/9A
AGS2030/31	.	.	.	.	.	.	CIRCLIP	1	—	DA4/98
EA3.81.351	.	.	.	.	.	.	CLAMP, intercom. wiring Attaching parts for EA3.81.351:—	2	DTD683	DA4/20
A32A16	.	.	.	.	.	.	Screw, round head 6BA	2	—	DA4/21
A33B12	.	.	.	.	.	.	Screw, csk. head 4BA	1	—	DA4/13
AGS2035A	.	.	.	.	.	.	Washer, shakeproof	2	—	DA4/19
EB6.45.65	.	.	.	.	.	.	COVER, switch mounting Attaching parts for EB6.45.65:—	1	DTD610	DA4/2
A41B8	.	.	.	.	.	.	Screw, csk. head 4BA	2	—	DA4/1
EA6.45.243	.	.	.	.	.	.	COVER, switch intercom. (Pre-Mod 5400) Attaching parts for EA6.45.243:—	1	LFS21	DA4/6
AS1242/2B	.	.	.	.	.	.	Bolt, csk. head 4BA	2	—	DA4/8
EB6.45.57	.	.	.	.	.	.	MOUNTING, tailplane, trim and isolating switches Attaching parts for EB6.45.57:—	1	L64 or L65	DA4/7
A33B14	.	.	.	.	.	.	Screw, csk. head 4BA	2	—	DA4/12

AP101B-0402-3A

Page DA.7

CONTROLS  
FLYING CONTROLS IN COCKPIT

Part Number	Description	No. Off	Matl. Spec.	Plate No.
EB6.45.59	. . . . . PIN, locking	1	—	DA4/12A
E & I 659	. . . . . SLEEVE, P.V.C. 7 mm x 0.5 mm wall	QR	—	DA4/15
EA6.45.297	. . . . . SOCKET, ASSEMBLY		—	DA4/11
	Spares for:			
A33A8	. . . . . SCREW, csk. head 6BA	2	—	DA4/11A
EA6.45.295	. . . . . SOCKET, switch	1	—	DA4/11B
DUNLOP				
ACM26960	. . . . . SWITCH, c/w wiring, isolating	1	—	DA4/4
DUNLOP				
AC14834/7	. . . . . SWITCH, c/w wiring, 2 way tailplane trim	1	—	DA4/3
SMITHS				
C1387	. . . . . SWITCH, push button	1	—	DA4/14
SMITHS				
C1387	. . . . . SWITCH, push button (Pre Mod.5400)	1	—	DA4/38
EA4.82.5375	. . . . . SWITCH, press to transmit, assembly (Mod.5400)	1	—	DA4/39
	Spares for:			
EG7.45.27	. . . . . PIECE, distance	1	—	DA4/40
EG7.45.33	. . . . . PLATE, cover	1	—	DA4/41
	Attaching parts for EG7.45.33:			
A33A8	. . . . . Screw, 6BA, csk. head	2	—	DA4/42
PAGE				
B1640H	. . . . . SWITCH	1	—	DA4/43
EB6.45.55	. . . . . WHEEL, hand	1	—	DA4/10
EA3.45.109	. . . . . COVER, sealing, pilot's control column	1	—	DA8/9
EA3.45.7	. . . . . PEDALS, PILOT'S RUDDER CONTROL BAR, GROUP (PRE MOD.4956)	1	—	DA6/49
	(For aircraft not embodying Mod.5097)			
EA3.45.5227	. . . . . PEDALS, PILOT'S RUDDER CONTROL BAR, GROUP (MOD.4956)	1	—	
	(For aircraft embodying Mod.5097)			
	Spares for:			
EA3.45.57	. . . . . BEARING, c/w housing and ballrace (Pre Mod.4956)	1	—	DA6/48
EA3.45.5085	. . . . . BEARING, c/w housing and ballrace (Mod.4956)	1	—	
	Attaching parts for EA3.45.5085:			
AS1242/3C	. . . . . Bolt, 2BA	8	—	DA6/48A
A27CS	. . . . . Nut, 2BA	8	—	DA6/48B
SP90C5	. . . . . Pin, split	8	—	DA6/48C
EA3.45.5089	. . . . . Ring, clamp	1	L65	DA6/48D
SP13C	. . . . . Washer	8	—	DA6/48E
R A25/4E	. . . . . BOLT, 1/4" BSF	8	MS	DA6/46A
EA3.45.457	. . . . . CABLE, HYDRAULIC BRAKE CONTROL ASSEMBLY (MOD.1165)	1	—	DA5/20
	Spares for:			
EA3.45.461	. . . . . BLOCK, pulley support	1	DTD683	DA5/3
	Attaching parts for EA3.45.461:			
EA3.45.465	. . . . . Block, tapped	1	S92	DA5/17
EA3.45.467	. . . . . Block, tapped	1	S92	DA5/4
A25/1C	. . . . . Bolt, 2BA	4	—	DA5/1
A25/1/8	. . . . . BOLT, 4BA	1	—	DA5/6

CONTROLS  
FLYING CONTROLS IN COCKPIT

Part Number	1 2 3 4 5 6	Description	No. Off	Matl. Spec.	Plate No.
EA3.45.171	. . . . .	BRACKET, lower pulley and cable guard Attaching parts for EA3.45.171:	1	—	DA5/21
A25/1C	. . . . .	Bolt, 2BA	2	—	DA5/16
A27CP	. . . . .	Nut, 2BA	2	—	DA5/13
EA3.45.173	. . . . .	BRACKET, upper pulley Attaching parts for EA3.45.173:	1	L72	DA5/8
A25/1C	. . . . .	Bolt, 2BA	2	—	DA5/12
A27CP	. . . . .	Nut, 2BA	2	—	DA5/7
EA3.45.463	. . . . .	GUIDE, cable Attaching parts for EA3.45.463:	1	S92	DA5/14
A25/4B	. . . . .	Bolt, 4BA	1	—	DA5/11
SP13B	. . . . .	Washer	1	—	DA5/10
EA3.45.459	. . . . .	PULLEY, assembly, at control column Attaching parts for EA3.45.459:	1	—	DA5/18
A25/7E	. . . . .	Bolt, ¼" BSF	1	—	DA5/2
EA3.45.469	. . . . .	Washer	2	—	DA5/5
AS111	. . . . .	PULLEY, at brake control valve Attaching parts for AS111:	1	—	DA5/15
A25/5E	. . . . .	Bolt, ¼" BSF	1	—	DA5/9
A27ES	. . . . .	Nut, slotted, ¼" BSF	1	—	DA5/22
SP90C7	. . . . .	Pin, split, 1/16" dia	1	—	DA5/23
SP13E	. . . . .	Washer	1	—	DA5/19
SP13B	. . . . .	WASHER	1	—	DA5/19A

AP101B-0402-3A

## CONTROLS

## FLYING CONTROLS IN COCKPIT

Part Number	Description	No. Off	Mati. Spec.	Plate No.
R EA3.45.63	. . . . LEVER AND SPROCKET ASSEMBLY (PRE MOD.4956)	1	—	DA6/52
R EA3.45.5073	. . . . LEVER AND SPROCKET ASSEMBLY (MOD.4956)	1	—	
R EA3.45.5075	. . . . LEVER AND BOSS ASSEMBLY (MOD.4956) (Alternative to EA3.45.5073) Spares for:	1	—	
R SKEFCO				
R CBA2	. . . . . BALLRACE (PRE MOD.4956)	1	—	DA6/52A
R EEAS3D	. . . . . HOUSING, ballrace (PRE MOD.4956)	1	—	DA6/52B
R EA1.45.307	. . . . . LEVER (PRE MOD.4956)	1	—	DA6/52C
R EA3.45.5217	. . . . . LEVER ASSEMBLY (MOD.4956) Spares for:	1	—	DA6/53
R SKEFCO				
R CBA2	. . . . . BALLRACE	1	—	DA6/52A
R EEAS3D	. . . . . HOUSING, ballrace	1	—	DA6/52B
R EA3.45.5077	. . . . . LEVER	1	—	DA6/54
R EEAS.4/20C	. . . . . WASHER, packing	2	—	DA6/52E
R EA3.45.5083	. . . . . RING, clamping (MOD.4956)	1	—	DA6/55
R EA3.45.59	. . . . . SPROCKET (PRE MOD.4956)	1	—	DA6/52D
R EA3.45.5079	. . . . . SPROCKET (MOD.4956)	1	—	DA6/56
R EA3.45.5081	. . . . . BOSS (MOD.4956) (Alternative to EA3.45.5079) Attaching parts for EA3.45.5079 or EA3.45.5081:	1	—	DA6/57
R AS1242/10C	. . . . . Bolt, 2BA	10	—	DA6/58
R A27CS	. . . . . Nut, slotted, 2BA	10	—	DA6/59
R SP90C5	. . . . . Pin, split	10	—	DA6/60
R SP13C	. . . . . Washer	10	—	DA6/61
R EEAS4/20C	. . . . . WASHER, packing (PRE MOD.4956)	2	—	DA6/52E
R EEAS37/8A	. . . . . Nipple, 4BA (PRE MOD.4956)	4	S96	DA6/50
R EEAS38/2A	. . . . . Spoke, 4BA (PRE MOD.4956)	2	S11	DA6/51
R EEAS95/16G	. . . . . Bolt, 5/16" BSF (MOD.4956)	2	—	DA6/62
R A27GS	. . . . . Nut, 5/16" BSF (MOD.4956)	2	—	DA6/63
R SP90C8	. . . . . Pin, split (MOD.4956)	2	—	DA6/64
R EA3.45.5091	. . . . . Washer, saddle (MOD.4956)	4	—	DA6/65
R SP13G	. . . . . Washer (MOD.4956)	2	—	DA6/66
R EA3.45.253	. . . . . PEDALS, PILOT'S RUDDER CONTROL ASSEMBLY Spares for:	1	—	DA6/47
R AS2183	. . . . . ARM, rudder bar assembly Spares for:	2	—	DA6/4
R AS2187	. . . . . EYE-BOLT Attaching parts for AS2187:	1	—	DA6/21
R A24JS	. . . . . Nut, slotted, 3/8" BSF	1	—	DA6/19
R SP90C7	. . . . . Pin, split	1	—	DA6/30

CONTROLS  
FLYING CONTROLS IN COCKPIT

Part Number	Description 1 2 3 4 5 6	No. Off	Matl. Spec.	Plate No.



CONTROLS  
FLYING CONTROLS IN COCKPIT

Part Number	Description						No. Off	Matl. Spec.	Plate No.
	1	2	3	4	5	6			
A25/1C						Attaching parts for AS2189:	4	—	DA6/36
AS2242						Bolt, 2BA	1	—	DA6/37
						Washer, tab			
AS2179						PLATE, wheel adjustment	1	—	DA6/11
AS2412						SLEEVE, screwed	1	—	DA6/8
AS2411						WORM, adjusting	1	—	DA6/9
						Attaching parts for AS2412 and AS2411:			
AS3399						Bolt, taper	2	—	DA6/24
A24ES						Nut, slotted, 1/4" BSF	2	—	DA6/12
SP90C7						Pin, split, 1/16" dia	2	—	DA6/6
AS3398						Washer	2	—	DA6/7
AS2188						SPINDLE	1	—	DA6/43
AS2177						WHEEL, adjusting	1	—	DA6/10
EA3.45.249						UNIT, BRAKE CONTROL, ASSEMBLY	1	—	DA5/24
						Spares for:			
A25/1C						BOLT, 2BA	4	—	DA5/24A
EA3.45.251						BRACKET, support	1	L72	DA5/45
						Attaching parts for EA3.45.251:			
A25/1C						Bolt, 2BA	6	—	DA5/44
EA3.45.189						CAM, plate guide	1	DTD683	DA5/43
						Attaching parts for EA3.45.189:			
A25/4C						Bolt, 2BA	2	—	DA5/36
AS1242/4C						Bolt, csk. head 2BA	1	—	DA5/38
SP47C						Washer, spring	2	—	DA5/40
EA3.45.191						LEVER, brake valve operating	1	S96	DA5/33
						Attaching parts for EA3.45.191:			
A25/6C						Bolt	1	—	DA5/35
A27CS						Nut, slotted 2BA	1	—	DA5/25
SP90C7						Pin, split, 1/16" dia	1	—	DA5/30
EA3.45.193						LINK, TIE BETWEEN VALVE OPERATING LEVER AND RUDDER CONTROL LEVER	1	S11	DA5/42
						Spares for:			
EA3.45.187						FORK-END	1	—	DA5/27
SP3Y413L						FORK-END	1	—	DA5/34
A27CT						NUT, thin, 2BA	1	—	DA5/28
A27CTL						NUT, thin, 2BA	1	—	DA5/29
EA3.45.193A						ROD	1	S11	DA5/41
						Attaching parts for EA3.45.193:			
AGS899/2						Collar	2	—	DA5/26
EA3.45.195						Pin, special	1	S11	DA5/37
SP4YB11						Pin, shackle	1	—	DA5/32
SP90C7						Pin, split, 1/16" dia	2	—	DA5/31
SP15C						Washer	1	—	DA5/39
SP47C						WASHER, spring	4	—	DA5/39A
EA1.45.477						SPRING, torsion, between aileron control and tension lever	1	DTD215	DA4/37

## FLYING CONTROLS IN COCKPIT

Part Number	1 2 3 4 5 6	Description	No. Off	Matl. Spec.	Plate No.
EA3.45.477		COVER, PRESSURE BOX, ASSEMBLY (MOD.1407)	—	—	DA7/38
		Spares for:			
EA3.45.479		COVER, access	1	—	DA7/28
EA3.45.475		PANEL, assembly	1	—	DA7/34
EA3.45.21		MOUNTING, AILERON, ELEVATOR AND RUDDER CONTROL LEVERS AT PRESSURE BULKHEAD, ASSEMBLY	1	—	DA7/15
		Spares for:			
EA3.45.121		BAR, stop, top	1	DTD300	DA7/24
EA3.45.123		BAR, stop, bottom	1	DTD300	DA7/35
		Attaching parts for EA3.45.121 and EA3.45.123:			
A25/9C		Bolt, 2BA	4	—	DA7/20
AGS2001C1/66		Nut, stiff, 2BA	4	—	DA7/31
SP16C		Washer	4	—	DA7/29
EA3.45.27		BOLT, stip, control levers	5	—	DA7/32
EA1.45.1207		BOLT, stop, elevator at pressure bulkhead	1	S11	DA7/33
EA3.45.125		BRACKET, stop, bar	6	—	DA7/27
EA3.45.255		BRACKET, stop, bar	2	—	DA7/21
		Attaching parts for EA3.45.125 and EA3.45.255:			
A25/1C		Bolt, 2BA	2	—	DA7/25
A25/2C		Bolt, 2BA	2	—	DA7/25A
AS1242/2C		Bolt, csk, head 2BA	2	—	DA7/26
AGS2001C1/66		Nut, stiff, 2BA	2	—	DA7/22
SP16C		Washer	2	—	DA7/23
EA3.45.23		CASING, lever control	1	—	DA7/37
EA3.45.537		LEVER, CONTROL, ASSEMBLY (MOD.4489)	1	—	DA7/1
		Spares for:			
EA1.45.367		DOWEL	3	S1	DA7/12
EA1.45.361		END-PIECE, control lever mounting	2	L40	DA7/13
		Attaching parts for EA1.45.361:			
A25/2C		Bolt, 2BA	2	—	DA7/9
AS1242/4C		Bolt, csk, head 2BA	3	—	DA7/9A
AGS2001C1/66		Nut, stiff, 2BA	5	—	DA7/11
SP124D		Washer	2	—	DA7/10
SP125D		Washer	3	—	DA7/10A
EA1.45.349		HOUSING	1	DTD289	DA7/14
EA1.45.345		LEVER, c/w ballrace	6	—	DA7/2
		Attaching parts for EA1.45.345:			
A59/7E		Bolt	2	S96	DA7/5
AGS2001E1/66		Nut, stiff, 1/4" BSF	2	—	DA7/3
SP124E		Washer	2	—	DA7/4
EA3.45.535		PIECE, packing	2	—	DA7/4A
EA1.45.351		RING, sealing, outboard	1	L45	DA7/17
EA1.45.353		RING, sealing, centre	1	L45	DA7/18
EA1.45.355		RING, sealing, inner	1	L45	DA7/16
		Attaching parts for EA3.45.537:			
A25/4C		Bolt, 2BA	12	—	DA7/6
A25/3C		Bolt, 2BA	4	—	DA7/8
AGS2001C1/66		Nut, stiff, 2BA	16	—	DA7/7

CONTROLS  
FLYING CONTROLS IN COCKPIT

Part Number	Description	No. Off	Mati. Spec.	Plate No.
A27JT	. . . NUT, thin, 3/8" BSF, locking stop bolt	6	—	DA7/30
EA3.45.25	. . . SEAL, rubber, between control lever casing and pressure bulkhead	1	—	DA7/36
EA3.45.11	. . . MOUNTING, ELEVATOR, CONTROL LEVER, ASSEMBLY (PRE MOD.4491)	1	—	
EA3.45.543	. . . MOUNTING, ELEVATOR, CONTROL LEVER, ASSEMBLY (MOD.4491 — S.O.O.) Spares for:	1	—	DA8/12
HOFFMANN T17	. . . BEARING, ballrace	2	—	DA8/13
EA3.45.103	. . . BOBBIN Attaching parts for EA3.45.103:	1	—	DA8/14
EEAS37/14A	. . . Nipple, 1/4" dia, 4BA	4	—	DA8/15
EEAS38/2A	. . . Spoke, 4BA	2	—	DA8/16
EA1.45.267	. . . HOUSING, ballrace	1	—	DA8/17
EA1.45.269	. . . HOUSING, ballrace	1	—	DA8/18
EA1.45.289	. . . LEVER, ELEVATOR OPERATING, ASSEMBLY (PRE MOD.4491)	1	—	
EA3.45.533	. . . LEVER, ELEVATOR OPERATING, ASSEMBLY (MOD.4491 — S.O.O.) Spares for:	1	—	DA8/19
SKEFKO CBA2	. . . BEARING, ballrace	2	—	DA8/20
EEAS3D	. . . HOUSING, ballrace	2	—	DA8/21
EA1.45.273	. . . LEVER (PRE MOD.4491)	1	L65	
EA3.45.527	. . . LEVER (MOD.4491 — S.O.O.) (Pt. No. EA1.45.273 modified)	1	—	DA8/22
EEAS4/20C	. . . WASHER, packing Attaching parts for EA3.45.533:	4	—	DA8/23
AS1242/4E	. . . Bolt, csk. head 1/4" BSF	6	—	DA8/24
A27ES	. . . Nut, slotted, 1/4" BSF	6	—	DA8/25
SP90C5	. . . Pin, split, 1/16" dia	6	—	DA8/26
SP16E	. . . Washer	6	—	DA8/27
EA3.45.513	. . . RING, clamp (Mod.4491 — S.O.O.) Attaching parts for EA3.45.513:	1	—	DA8/28
AS1242/3C	. . . Bolt, 2BA (Pre ASD726 repair)	6	—	DA8/29
ASD726RS1	. . . Bolt, special (ASD726 repair)	6	S96	
AGS2012C11	. . . Nut, anchor, 2BA (Pre ASD726 repair)	6	—	DA8/30
AGS2008E1	. . . Nut, anchor, 1/4" BSF (ASD726 repair)	6	—	
EA1.45.271	. . . SHAFT	1	—	DA8/31
EA3.45.309	. . . TUBE, CONTROL, INTERMEDIATE, FROM CONTROL COLUMN TO ELEVATOR AT REAR OF PRESSURE BULKHEAD GROUP (PRE MOD.4930)	1	—	DA1/26
EA3.45.651	. . . TUBE, CONTROL, INTERMEDIATE, FROM CONTROL COLUMN TO ELEVATOR AT REAR OF PRESSURE BULKHEAD GROUP (MOD.4930) (PRE MOD 5473)	1	—	
EA3.45.727	. . . TUBE, CONTROL, ELEVATOR, ASSEMBLY (MOD 5473) Spares for:—	1	—	
EEAS47/2	. . . FORK-END, adjusting	1	DTD683	DA1/16
A29NP	. . . NUT, lock, 1/2" BSF	1	—	DA1/16A
EA3.45.339	. . . TUBE, CONTROL, FROM CONTROL COLUMN TO AILERON CONTROL LEVER AT REAR OF PRESSURE BULKHEAD GROUP (PRE MOD 4930)	1	—	DA1/41

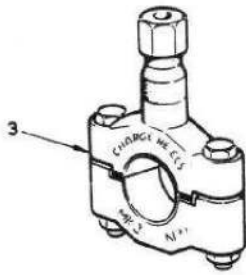
CONTROLS  
FLYING CONTROLS IN COCKPIT

Part Number	Description	No. Off	Matl. Spec.	Plate No.
R EA3.45.661	. TUBE, CONTROL, FROM CONTROL COLUMN TO AILERON CONTROL LEVER AT REAR OF PRESSURE BULKHEAD GROUP (MOD 4930) (PRE-MOD 5473)	1	-	
R EA3.45.733	. TUBE, CONTROL, AILERON, ASSEMBLY (MOD 5473) Spares for:-	L	-	
EA3.45.329	. . TUBE, control forward portion (Pre-Mod 4930)	1	-	DA1/35
R EA3.45.657	. . TUBE, control forward portion (Mod 4930) (PRE-MOD 5473)			
R EA3.45.823	. . TUBE, control, forward (MOD 5473)	1	-	
R EA3.45.335	. . TUBE, CONTROL, AFT, GROUP (PRE-MOD 4930)	1	-	DA1/39
R EA3.45.659	. . TUBE, CONTROL, AFT, GROUP (MOD 4930) (PRE-MOD 5473)	1	-	
R EA3.45.825	. . TUBE, control, aft (MOD 5473) Spares for:-	1	-	
EEAS47/2	. . . FORK-END, adjusting	1	DTD683	DA1/37
R A29NP	. . . NUT, lock, 1/2" BSF Attaching parts for EA3.45.329, EA3.45.657 EA3.45.335, EA3.45.659, EA3.45.823 or EA3.45.825:-	1	-	DA1/37A
A25/22C	. . Bolt, 2BA	2	-	DA1/43
AS484JA	. . Bush, taper, shear	4	-	DA1/33
A27CS	. . Nut, slotted, 2BA	2	-	DA1/31
SP90C7	. . Pin, split	2	-	DA1/29
EA3.45.345	. TUBE, CONTROL FROM PILOT'S RUDDER BAR TO RUDDER LEVER AT REAR OF PRESSURE BULKHEAD, GROUP (PRE-MOD 4930)	1	-	DA1/42
EA3.45.665	. TUBE, CONTROL FROM PILOT'S RUDDER BAR TO RUDDER LEVER AT REAR OF PRESSURE BULKHEAD, GROUP (MOD 4930) (PRE-MOD 5473)	1	-	
R EA3.45.735	. TUBE, CONTROL, RUDDER, ASSEMBLY (MOD 5473) Spares for:-	1	-	
EA3.45.329	. . TUBE, control forward portion (Pre-Mod 4930)	1	-	
R EA3.45.657	. . TUBE, control forward portion (Mod 4930) (PRE-MOD 5473)	1	-	
R EA3.45.823	. . TUBE, control, forward (MOD 5473)	1	-	
EA3.45.341	. . TUBE, AFT PORTION, GROUP (PRE-MOD 4930)	1	-	
R EA3.45.663	. . TUBE, AFT PORTION, GROUP (MOD 4930) (PRE-MOD 5473)	1	-	
R EA3.45.827	. . TUBE, control aft (MOD 5473) Spares for:-	1	-	
EEAS47/2	. . . FORK-END, adjusting	1	DTD683	DA1/38
R A27NT	. . . NUT, lock, 1/2" BSF Attaching parts for EA3.45.329, EA3.45.657, EA3.45.341, EA3.45.663, EA3.45.823 or EA3.45.827:-	1	-	DA1/38A
A25/22C	. . Bolt, 2BA	2	-	DA1/44
AS484JA	. . Bush	4	-	DA1/34
A27CS	. . Nut, slotted, 2BA	2	-	DA1/32
SP90C7	. . Pin, split	2	-	DA1/30
EA3.45.347	. TUBE, CONTROL, FROM CONTROL COLUMN LEVER TO ELEVATOR LEVER, GROUP (PRE-MOD 4930)	1	-	DA1/25
EA3.45.667	. TUBE, CONTROL, FROM CONTROL COLUMN LEVER TO ELEVATOR LEVER, GROUP (MOD 4930) (PRE-MOD 5473)	1	-	
R EA3.45.737	. TUBE, CONTROL, ASSEMBLY (MOD 5473) Spares for:-	1	-	
EEAS47/2	. . . FORK-END, adjusting	1	DTD683	DA1/17
R A29NP	. . . NUT, lock, 1/2" BSF	1	-	DA1/17A

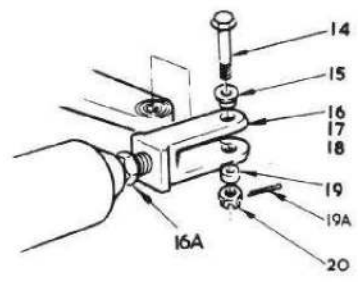
## CONTROLS

## FLYING CONTROLS IN COCKPIT

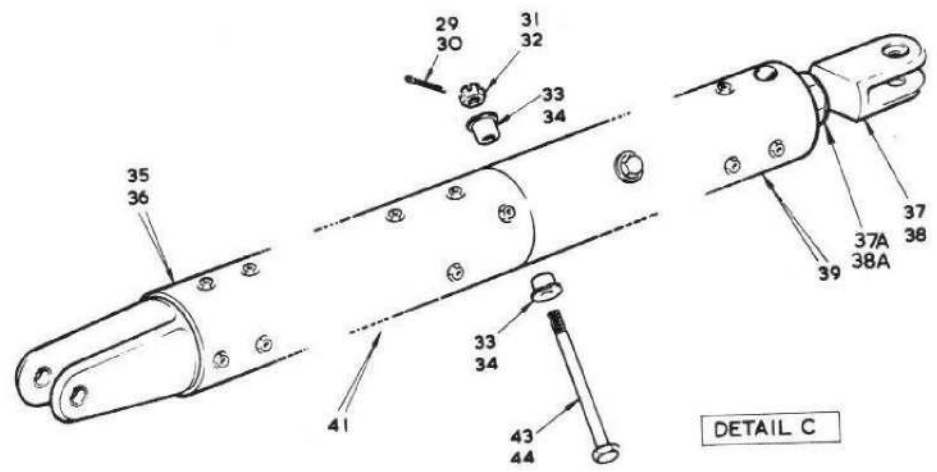
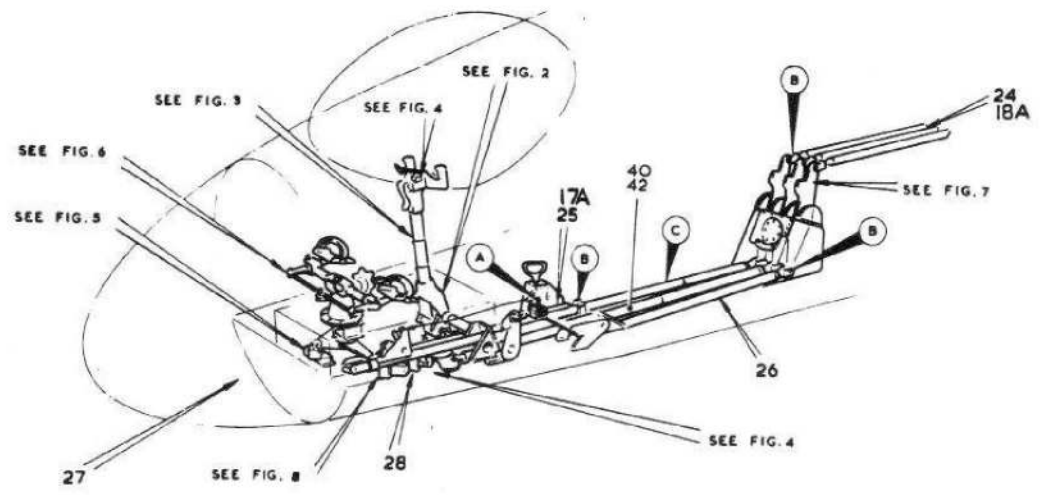
Part Number	Description	No. Off	Matl. Spec.	Plate No.					
				1	2	3	4	5	6
R EA3.45.351	. TUBE, CONTROL, AILERON AND RUDDER AT REAR OF PRESSURE BULKHEAD (PRE-MOD 4930)	3	-						DA1/24
R EA3.45.669	. TUBE, CONTROL, AILERON AND RUDDER AT REAR OF PRESSURE BULKHEAD (MOD 4930) (PRE-MOD 5473)	3	-						
R EA3.45.739	. TUBE, CONTROL, ASSEMBLY (MOD 5473) Spares for:-	3	-						
EEAS47/2	. FORK-END, adjustable	1	DTD683						DA1/18
A29NP	. NUT, lock, 1/2" BSF	1	-						DA1/18A
EEAS13/1	. Bolt	1	S96						DA1/14
EEAS14	. Bush	2	S96						DA1/15
EEAS63E	. Nut	2	S96						DA1/20
EEAS127	. Piece, distance	2	S96						DA1/19
SP90C7	. Pin, split	2	-						DA1/19A
EA3.45.545	. UNIT SNATCH, ELEVATOR CONTROL INSTALLATION (MOD 4435) Spares for:-	1	-						DA8/11
EA1.45.609	. BRACKET	1	-						DA8/8
EA3.45.437	. BUSH	1	-						DA8/6
or									
MBEU1806EE	. BUSH	1	-						
AGS2002E1	. NUT, thin, 1/4" BSF	2	-						DA8/3
EA1.45.747	. PLATE, packing	2	-						DA8/8A
EA1.45.613	. STUD	1	L65						DA8/5
or									
MBEU1805EE	. STUD	1	-						
EA1.45.611	. SUPPORT	1	-						DA8/2
A25/4C	. Attaching parts for EA1.45.611:-								
AGS2001C1-66	. Bolt, 2BA	4	-						DA8/1
	. Nut, 2BA	4	-						DA8/7
HELLERMAN- INSULOID LTD LKOX-HS-B	. TIE, cable, unsulox black	QR	-						
MARTIN- BAKER MBCJ2106	. UNIT, snatch	1	-						DA8/10
SP15E	. WASHER	2	-						DA8/4



DETAIL A



DETAIL B



DETAIL C

FIG.1 FLYING CONTROLS IN COCKPIT

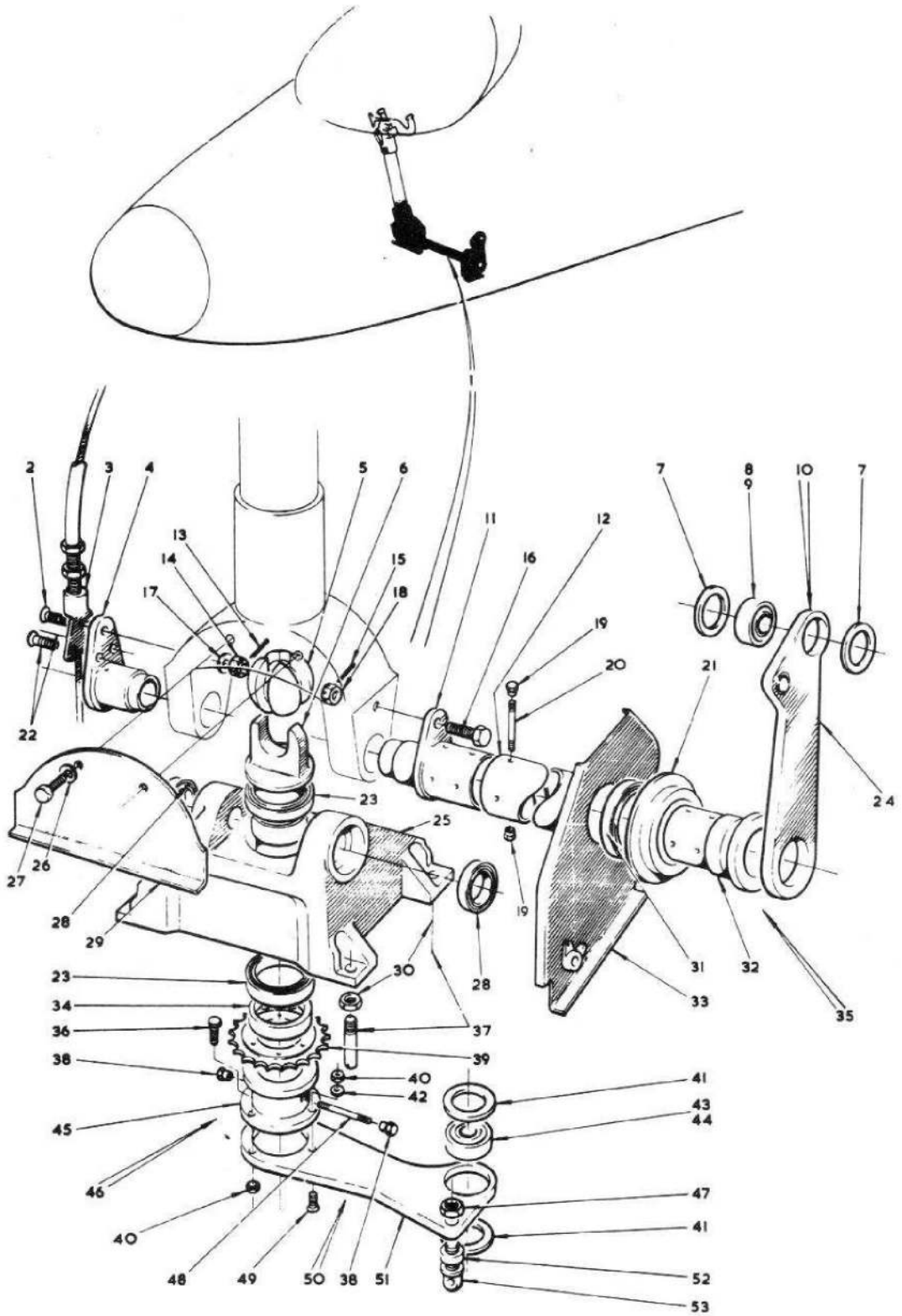


FIG. 2 FLYING CONTROLS IN COCKPIT

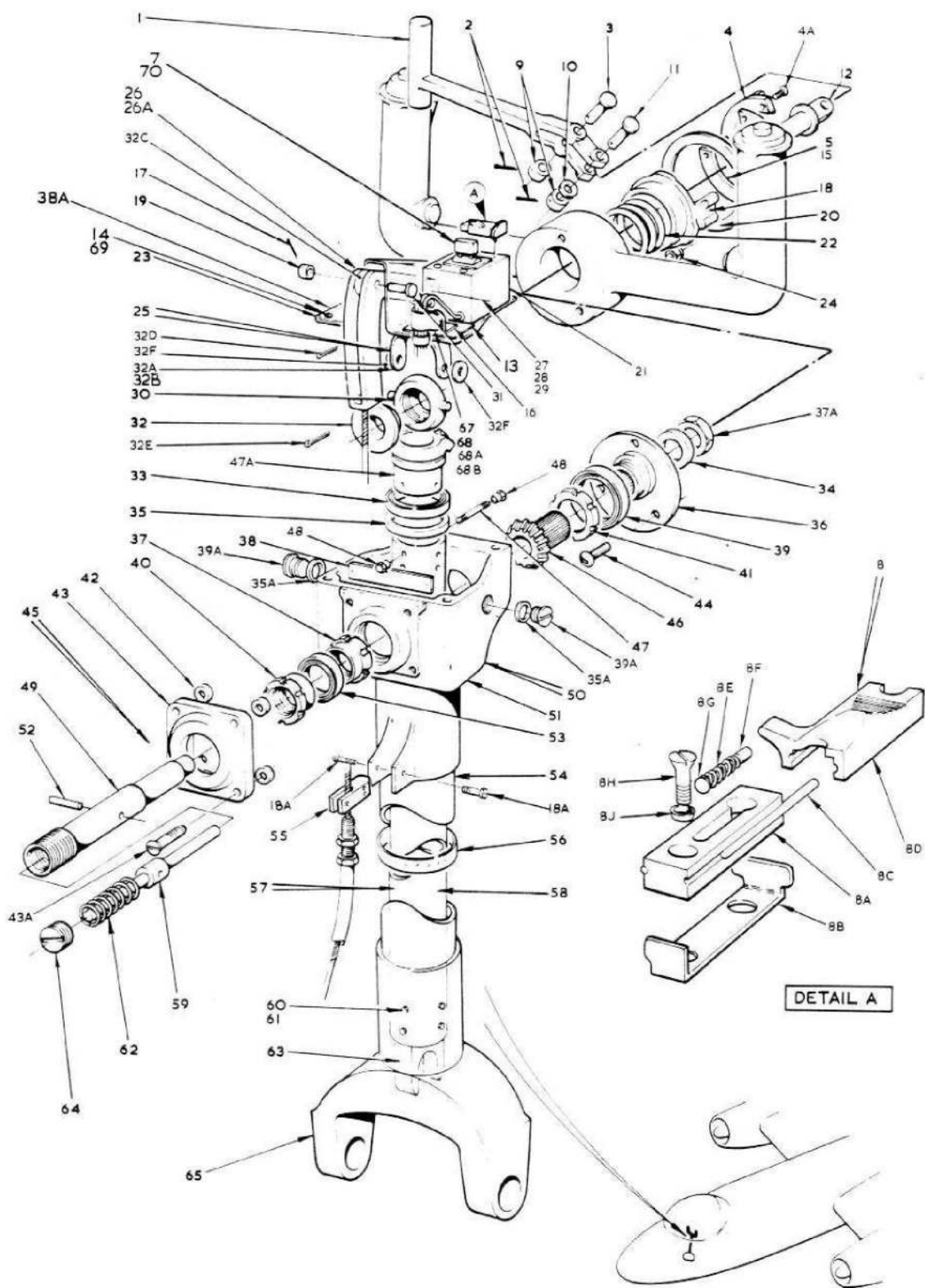


FIG.3 FLYING CONTROLS IN COCKPIT

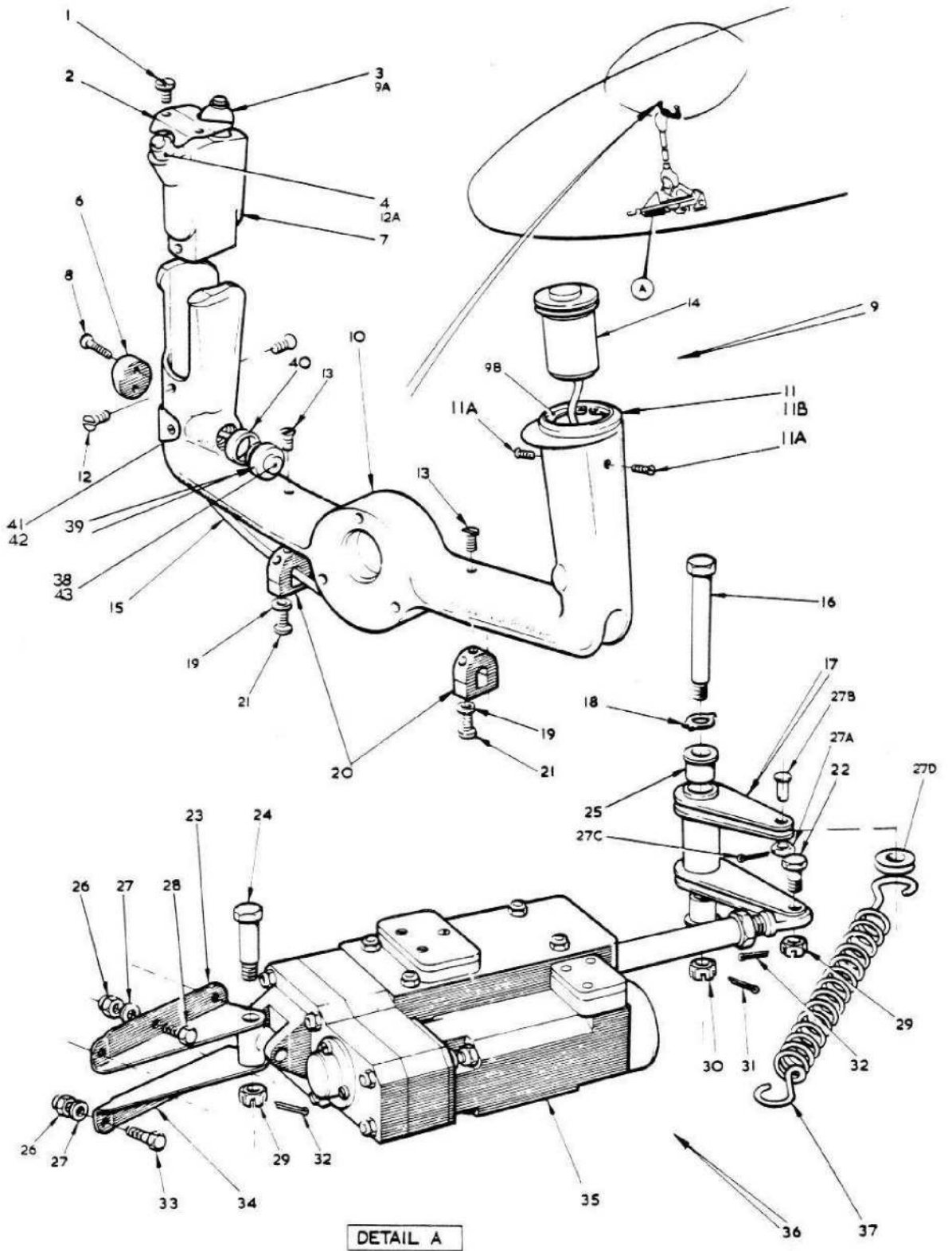


FIG. 4 FLYING CONTROLS IN COCKPIT

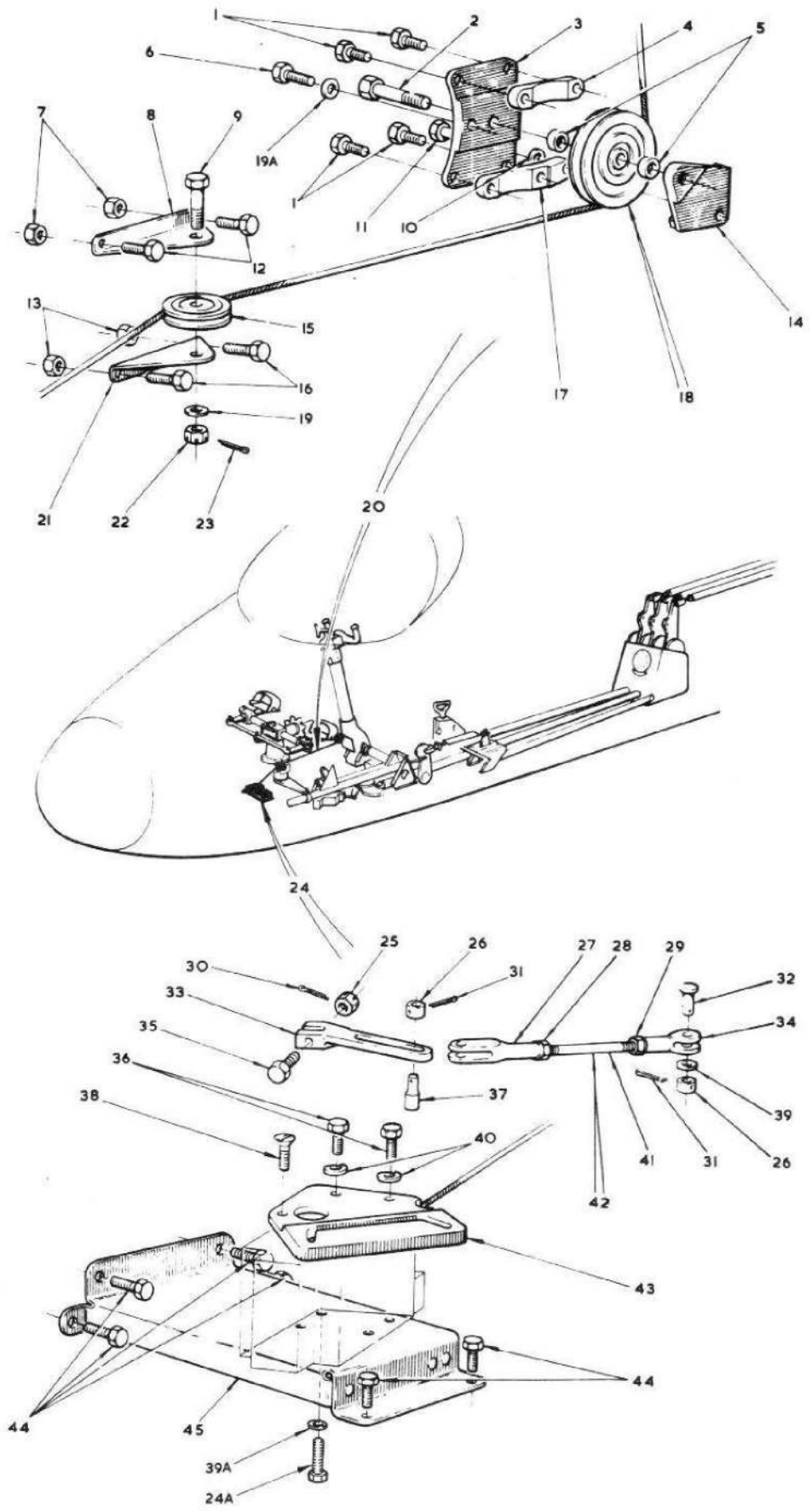


FIG. 5 FLYING CONTROLS IN COCKPIT

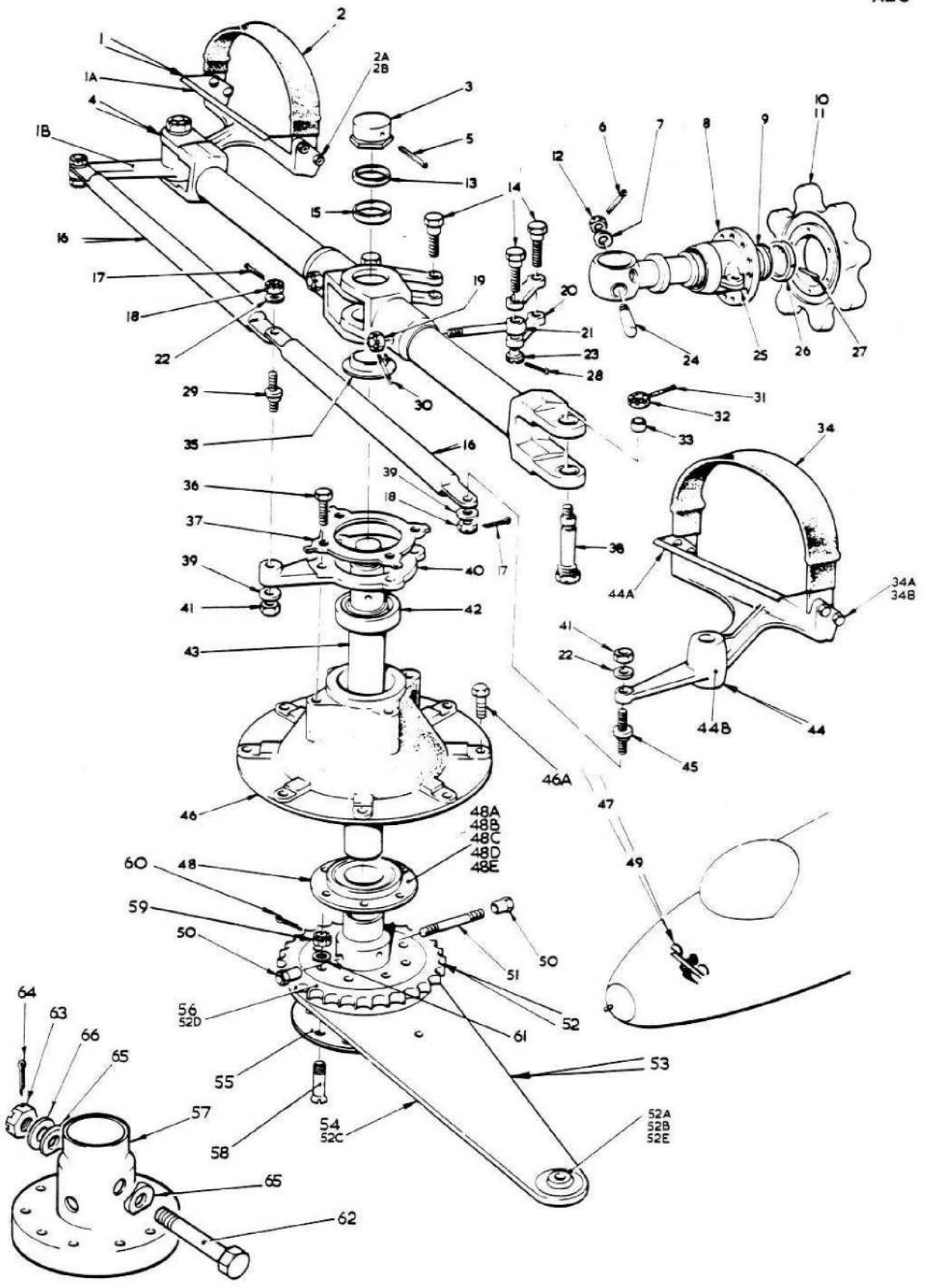


FIG. 6 FLYING CONTROLS IN COCKPIT

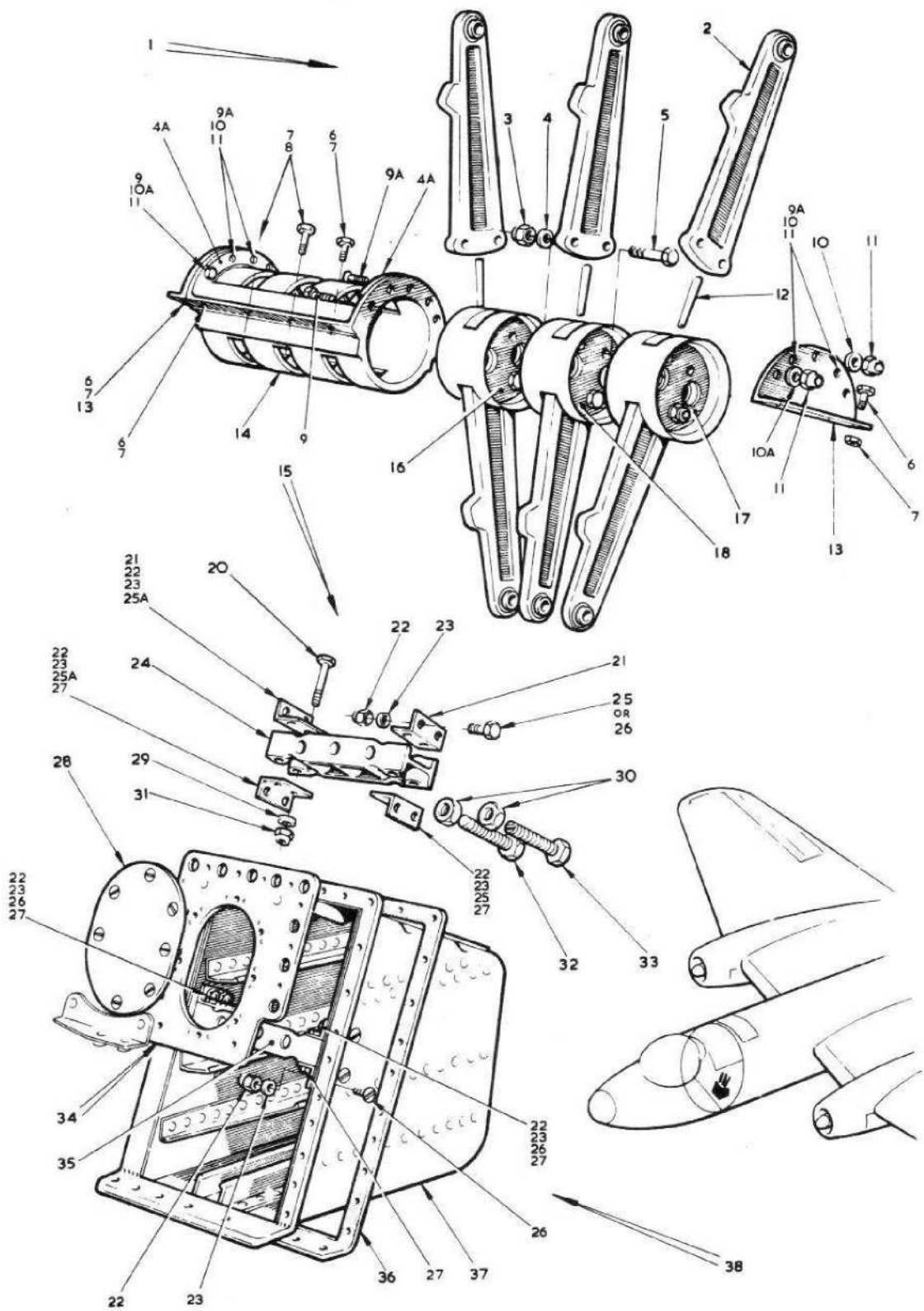


FIG.7 FLYING CONTROLS IN COCKPIT

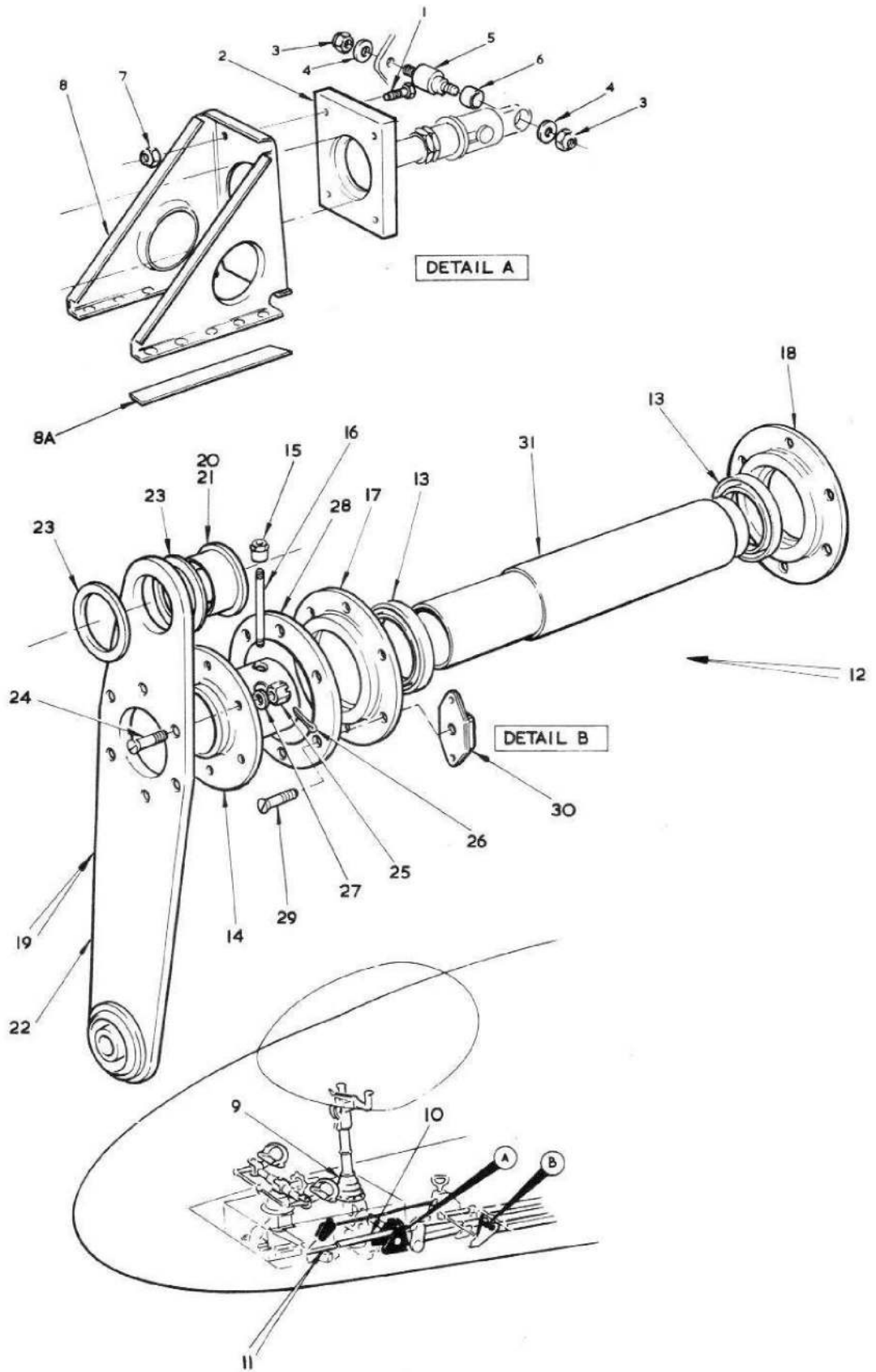


FIG. 8 FLYING CONTROLS IN COCKPIT

This file was downloaded  
from the RTFM Library.  
Link: [www.scottbouch.com/rtfm](http://www.scottbouch.com/rtfm)

Please see site for usage terms,  
and more aircraft documents.

