

AP101B-0402-3A

## CONTROLS

## FLYING CONTROLS IN CENTRE FUSELAGE

Part Number	Description	No. Off	Matl. Spec.	Plate No.
EA3.45.379	CONTROLS, FLYING IN CENTRE FUSELAGE ASSEMBLY	—	—	DB1/1
R EA1.45.215	LEVERS, AILERON AND MOUNTING AT FRAME 22 ASSEMBLY (PRE-MOD 4956) For Aircraft Not Embodying Mod 5097.	1	—	DB1/2
EA1.45.217	LEVER ASSEMBLY	1	—	DB1/3
T21	BEARING, ballrace	2	—	DB1/4
EA1.45.223	LEVER, top assembly	1	—	DB1/5
EA1.45.225	LEVER, bottom assembly	1	—	DB1/6
EA1.45.1031	SPINDLE	1	—	DB1/7
EA1.45.243	SPOOL, retaining	1	—	DB1/8
EEAS37/14A	Attaching parts for EA1.45.243:—	4	—	DB1/9
EEAS38/2A	Nipple	2	S96	DB1/10
R EA3.00.5427	LEVERS, AILERON AND MOUNTING AT FRAME 22 ASSEMBLY (EA3.45.5105) (MOD 4956) For Aircraft Embodying MOD 5097.	1	—	DB1/2
R EA3.45.5107	LEVER, ASSEMBLY	1	—	DB1/3
T21	BEARING	2	—	DB1/4
EA3.45.5161	GUARD	1	—	DB1/11
A25/1/2C	Attaching parts for EA3.45.5161:—	4	—	DB1/12
A25/1C	Bolt, 2BA	2	—	DB1/13
R EA3.45.5153	HOUSING	2	—	DB1/14
R A25/2C	Attaching parts for EA3.45.5153:—	8	—	DB1/15
R EA3.45.5109	Bolt, 2BA	8	—	DB1/15
R AS1242/4E	LEVER, assembly, top	1	—	DB1/5
A27ES	Attaching parts for EA3.45.5109:—	4	—	DB1/16
SP90C5	Bolt, 1/4" BSF	4	—	DB1/17
SP13E	Nut, 1/4" BSF	4	—	DB1/18
R EA3.45.5113	Pin, split	4	—	DB1/19
R AS1242/5E	Washer	4	—	DB1/19
A27ES	LEVER, assembly, bottom	1	—	DB1/6
SP90C5	Attaching parts for EA3.45.5113:—	6	—	DB1/20
EA3.45.5155	Bolt, 1/4" BSF	6	—	DB1/21
SP13E	Nut, 1/4" BSF	6	—	DB1/22
R EA3.45.5121	Pin, split	6	—	DB1/22
EA3.45.5117	Ring, clamp	1	L56	DB1/23
EA3.45.5151	Washer	6	—	DB1/24
R EA3.45.5157	PLATE, assembly, bottom	1	—	DB1/25
EA3.45.5159	PLATE, assembly, top	1	—	DB1/26
EEAS95/16E	SPINDLE	1	S92	DB1/27
A27CS	SPOOL, retaining, spindle	1	L65	DB1/28
A27ES	Attaching parts for EA3.45.5157:—	1	—	DB1/29
SP90C5	Bolt, shouldered, 2BA, lower	1	S97	DB1/30
EA3.45.5167	Bolt, 1/4" BSF, upper	1	—	DB1/31
SP13C	Nut, 2BA	1	—	DB1/32
R A25/1C	Nut, 1/4" BSF	1	—	DB1/32
R A25/2C	Pin, split	2	—	DB1/33
R A25/11C	Washer, saddle (Make from AGS1903E12)	4	—	DB1/34
R AGS2001C1/66	Washer, lower bolt (if required)	1	—	DB1/35
R EA3.45.5209	Attaching parts for EA3.00.5427:—	14	—	DB1/36
SP13C	Bolt, 2BA	10	—	DB1/37
	Bolt, 2BA	2	—	DB1/38
	Bolt, 2BA	2	—	DB1/38
	Nut, 2BA	14	—	DB1/39
	Washer, profile, 12 SWG	2	L72	DB1/53
	Washer	28	—	DB1/54

## CONTROLS

## FLYING CONTROLS IN CENTRE FUSELAGE

Part Number	1 2 3 4 5 6	Description	No. Off	Matl. Spec.	Plate No.
EA1.45.245		LEVERS, AILERON IDLE, AT FRAME 22, ASSEMBLY (PRE-MOD 4956) (For Aircraft Not Embodying Mod 5097)	1	-	DB2/1
EA3.45.5181		LEVER, AILERON IDLE, AT FRAME 22, ASSEMBLY (MOD 4956) (For Aircraft Embodying Mod 5097) Spares for:-	1	-	
T17		BEARING, ballrace	2	-	DB2/2
EA1.45.251		HOUSING, ballrace (Pre-Mod 4956)	2	-	DB2/3
EA3.45.5205		HOUSING, ballrace (Mod 4956) Attaching parts for EA3.45.5205:-	2	-	
AS1242/2C		Bolt, 2BA	8	-	DB2/4
A25/2C		Bolt, 2BA	8	-	DB2/5
AGS2001C1/66		Nut, 2BA	8	-	DB2/6
EA3.45.5207		Ring, clamp	1	-	DB2/7
EA3.45.5211		Shim, laminated	1	-	DB2/8
SP13/C		Washer, 2BA	8	-	DB2/9
EA1.45.224		LEVER, ASSEMBLY (PRE-MOD 4956)	1	-	DB2/10
EA3.45.5193		LEVER, ASSEMBLY (MOD 4956) Spares for:-	1	-	
CBA2		BEARING, ballrace	2	-	DB2/11
EEAS3D		HOUSING, ballrace	2	-	DB2/12
EA1.45.238		LEVER, (Pre-Mod 4956)	1	-	DB2/13
EA3.45.5195		LEVER, (Mod 4956)	1	-	
EEAS4/20C		WASHER, packing Attaching parts for EA3.45.5193 or EA1.45.224:-	4	-	DB2/14
AS1242/4E		Bolt, 1/4" BSF	6	-	DB2/15
A27ES		Nut, 1/4" BSF	6	-	DB2/16
SP90C5		Pin, split,	6	-	DB2/17
SP16E		Washer, thick	6	-	DB2/18
EA1.45.253		SPINDLE (Pre-Mod 4956)	1	-	DB2/19
EA3.45.5203		SPINDLE (Mod 4956) Attaching parts for EA3.45.5181 or EA1.45.245:-	1	-	
A25/1C		Bolt, 2BA	18	-	DB2/20
AGS2001C1/66		Nut, 2BA	18	-	DB2/21
SP13/C		Washer, 2BA	18	-	DB2/22
EA1.45.485		SUPPORT, CONTROL TUBE BETWEEN FRAMES 12 AND 13 ASSEMBLY Spares for:-	1	-	DB1/40
EA1.45.545		ANGLE	1	-	DB1/42
EA1.45.547		ANGLE	1	-	DB1/43
FS515		BEARING, roller	3	-	DB1/41
EA1.45.463		SUPPORT Attaching parts for EA1.45.485:-	1	-	DB1/44
A25/3C		Bolt, 2BA	6	-	DB1/45
A27CP		Nut, 2BA	6	-	DB1/46
EA1.45.487		SUPPORT, CONTROL TUBE AT FRAME 15, ASSEMBLY Spares for:-	1	-	DB1/47
FS515		BEARING, roller	3	-	DB1/48
EA1.45.465		SUPPORT Attaching parts for EA1.45.487:-	1	-	DB1/49
A25/4C		Bolt, 2BA	6	-	DB1/50
A27CP		Nut, 2BA	6	-	DB1/51
EEAS15/64/110HR		Strip, packing	3	-	DB1/52

AP101B-0402-3A

## CONTROLS

## FLYING CONTROLS IN CENTRE FUSELAGE

Part Number	Description	No. Off	Matl. Spec.	Plate No.	
					1
R EA1.45.489	. SUPPORT, CONTROL TUBE, AT FRAME 20 ASSEMBLY Spares for:—	1	—	DB2/23	
R FS515	. . BEARING, roller	3	—	DB2/24	
R EA1.45.467	. . SUPPORT Attaching parts for EA1.45.489:—	1	—	DB2/25	
R A25/3C	. Bolt, 2BA	6	—	DB2/26	
R A27CP	. Nut, 2BA	6	—	DB2/27	
R EEAS15/64/11ONR	. Strip, packing	3	—	DB2/28	
R EA1.45.491	. SUPPORT, CONTROL TUBE, AT FRAME 23 ASSEMBLY Spares for:—	1	—	DB2/29	
R FS515	. . BEARING, roller	2	—	DB2/30	
R EA1.45.469	. . SUPPORT Attaching parts for EA1.45.491:—	1	—	DB2/31	
R A25/4C	. Bolt, 2BA	4	—	DB2/32	
R A27CP	. Nut, 2BA	4	—	DB2/33	
R EA1.45.497	. SUPPORT, CONTROL TUBE, AT FRAME 30A ASSEMBLY Spares for:—	1	—	DB2/34	
R FS515	. . BEARING, roller	2	—	DB2/35	
R EA1.45.699	. SUPPORT, CONTROL TUBE, AT FRAME 27 ASSEMBLY Spares for:—	—	—	DB2/36	
R FS515	. . BEARING, roller	2	—	DB2/37	
R EA3.45.359	. TUBE, CONTROL, ELEVATOR AND RUDDER ASSEMBLY (PRE-MOD 4930)	6	—	DB3/1	
R EA3.45.673	. TUBE, CONTROL, ELEVATOR AND RUDDER ASSEMBLY (MOD 4930) (PRE-MOD 5473)	6	—		
R EA3.45.743	. TUBE, CONTROL, ELEVATOR AND RUDDER ASSEMBLY (MOD 5473) Spares for:—	6	—		
R EEAS130	. . END-FITTING, c/w ballrace (PRE-MOD 5473)	1	DTD683	DB3/2	
R EA3.45.767	. . END-FITTING (MOD 5473)	1	—		
R EEAS131/2	. . FORK-END (PRE-MOD 5473)	1	—	DB3/3	
R EA3.45.765	. . FORK-END (MOD 5473)	1	—		
R EA3.45.361	. . TUBE (PRE-MOD 5473)	1	—		
R EA3.45.785	. . TUBE (MOD 5473)	1	—	DB3/28	
R EA3.45.371	. TUBE, CONTROL, BETWEEN FRAMES 12 AND 15 ASSEMBLY (PRE-MOD 4930)	3	—	DB3/4	
R EA3.45.679	. TUBE, CONTROL, BETWEEN FRAMES 12 AND 15 ASSEMBLY (MOD 4930) (PRE-MOD 5473)	3	—		
R EA3.45.749	. TUBE, CONTROL, BETWEEN FRAMES 12 AND 15 ASSEMBLY (MOD 5473) Spares for:—	3	—		
R EEAS130	. . END-FITTING (PRE-MOD 5473)	1	—	DB3/2	
R EA3.45.767	. . END-FITTING (MOD 5473)	1	—		

## CONTROLS

## FLYING CONTROLS IN CENTRE FUSELAGE

Part Number	Description	No. Off						Mati. Spec.	Plate No.	
		1	2	3	4	5	6			
R	EEAS131/2							1	—	DB3/3
R	EA3.45.765							1	—	
R	EA3.45.373							1	—	
R	EA3.45.791							1	—	DB3/29
R	EA3.45.355							1	—	DB3/5
R	EA3.45.671							1	—	
R	EA3.45.741							1	—	
R	EEAS130							1	—	DB3/2
R	EA3.45.767							1	—	
R	EEAS131/2							1	—	DB3/3
R	EA3.45.765							1	—	
R	EA3.45.357							1	—	
R	EA3.45.783							1	—	DB3/30
R	EA3.45.367							1	—	DB3/6
R	EA3.45.677							1	—	
R	EA3.45.747							1	—	
R	EEAS128							1	—	DB3/7
R	EA3.45.769							1	—	
R	EEAS37/13A							4	—	DB3/8
R	EEAS41/2							2	—	DB3/9
R	AGS2052/19/27							2	—	DB3/10
R	AGS2045/609							2	—	DB3/11
R	EEAS38/1A							2	—	DB3/12
R	EEAS47/2							1	—	DB3/13
R	A29NP							1	—	DB3/14
R	EEAS131/2							1	—	DB3/15
R	EA3.45.765							1	—	
R	EEAS37/13A							6	—	DB3/16
R	EEAS38/1A							3	—	DB3/17

CONTROLS  
FLYING CONTROLS IN CENTRE FUSELAGE

Part Number	Description	No. Off	Matl. Spec.	Plate No.
R EA3.45.369	. . . TUBE (PRE-MOD 5473)	1	-	
R EA3.45.789	. . . TUBE (MOD 5473)	1	-	DB3/31
R EA3.45.363	. . . TUBE, CONTROL AT FRAME 21 ASSEMBLY (PRE-MOD 4930)	1	-	DB3/18
R EA3.45.675	. . . TUBE, CONTROL, AT FRAME 21 ASSEMBLY (MOD 4930) (PRE-MOD 5473)	1	-	
R EA3.45.745	. . . TUBE, CONTROL, AT FRAME 21 ASSEMBLY (MOD 5473)	1	-	
R EEAS131/2	. . . FORK-END (PRE-MOD 5473)	2	-	DB3/19
R EA3.45.765	. . . FORK-END (MOD 5473) Attaching parts for EEAS131/2 or EA3.45.765:-	2	-	
R EEAS37/13A	. . . Nipple	6	-	DB3/20
R EEAS38/1A	. . . Spoke	3	-	DB3/21
R EA3.45.365	. . . TUBE (PRE-MOD 5473)	1	-	
R EA3.45.787	. . . TUBE (MOD 5473)	1	-	DB3/32
R EA3.45.375	. . . TUBE, CONTROL, BETWEEN FRAMES 23 AND 27 ASSEMBLY (PRE-MOD 4930)	2	-	DB3/22
R EA3.45.681	. . . TUBE, CONTROL, BETWEEN FRAMES 23 AND 27 ASSEMBLY (MOD 4930) (PRE-MOD 5473)	2	-	
R EA3.45.751	. . . TUBE, CONTROL, BETWEEN FRAMES 23 AND 27 ASSEMBLY (MOD 5473)	2	-	
R EEAS130	. . . END-FITTING, c/w ballrace (PRE-MOD 5473)	1	-	DB3/2
R EA3.45.767	. . . END-FITTING (MOD 5473)	1	-	
R EEAS131/2	. . . FORK-END (PRE-MOD 5473)	1	-	DB3/3
R EA3.45.765	. . . FORK-END (MOD 5473)	1	-	
R EA3.45.377	. . . TUBE (PRE-MOD 5473)	1	-	
R EA3.45.793	. . . TUBE (MOD 5473)	1	-	
R EEAS13/1	. . . Attaching parts for control tubes:- Bolt, special	2	-	DB3/23
R EEAS14	. . . Bush	2	-	DB3/24
R EEAS63E	. . . Nut	2	-	DB3/25
R EEAS127	. . . Piece, distance	2	-	DB3/26
R SP90C7	. . . Pin, split	2	-	DB3/27

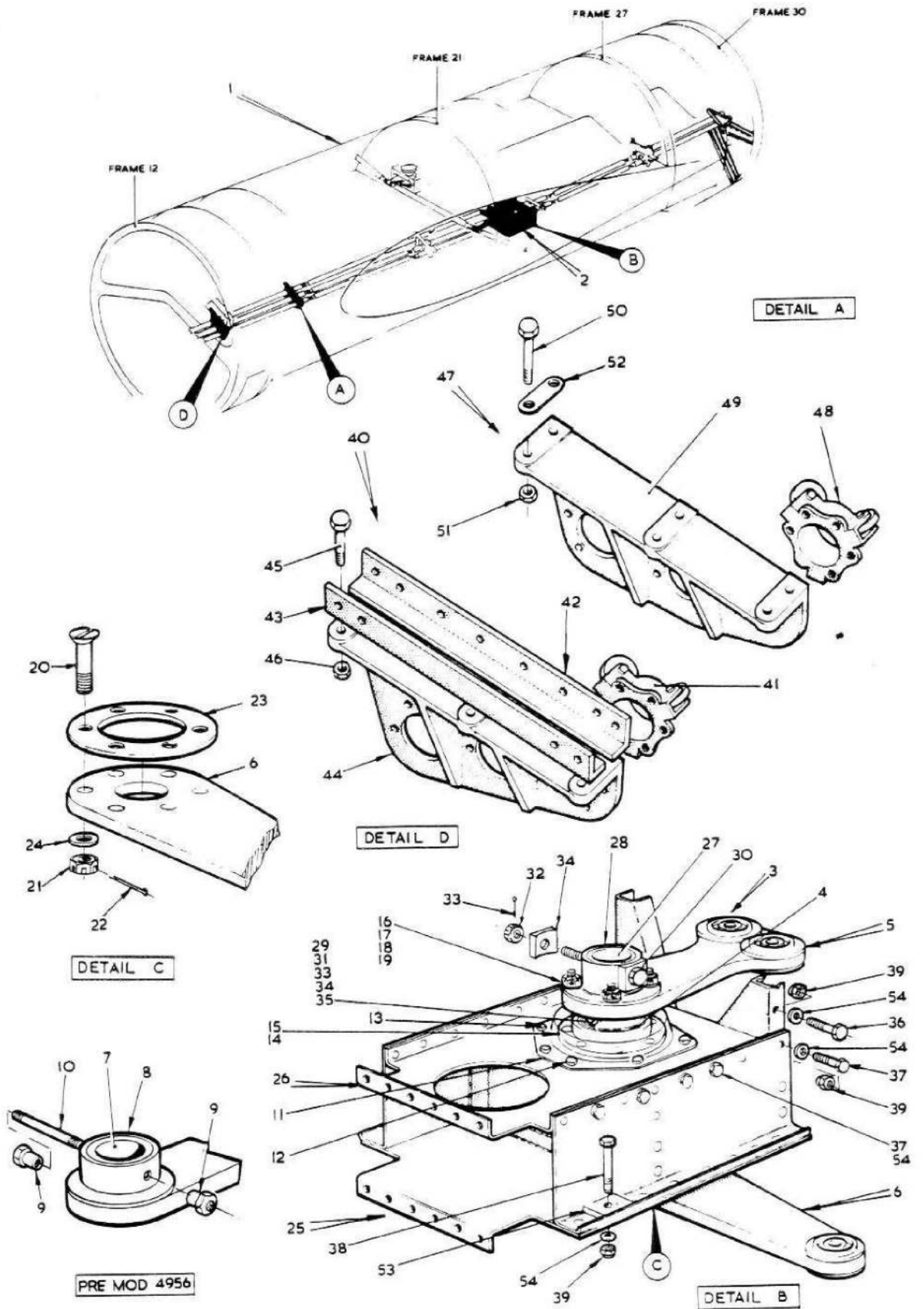


FIG 1 FLYING CONTROLS IN CENTRE FUSELAGE

CODE RZ

SECT DB

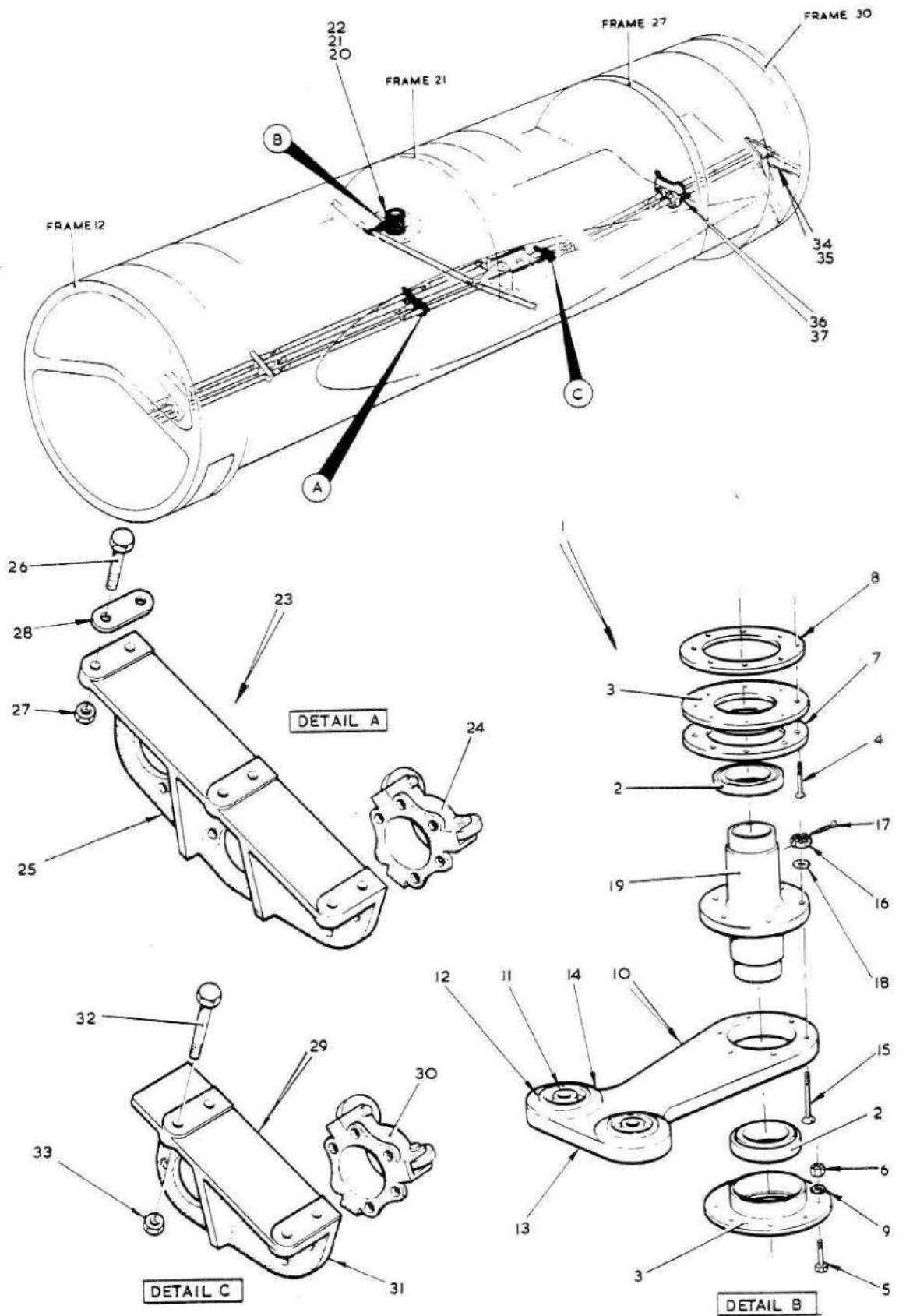


FIG2 FLYING CONTROLS IN CENTRE FUSELAGE

CODE RSZ

SECT DB

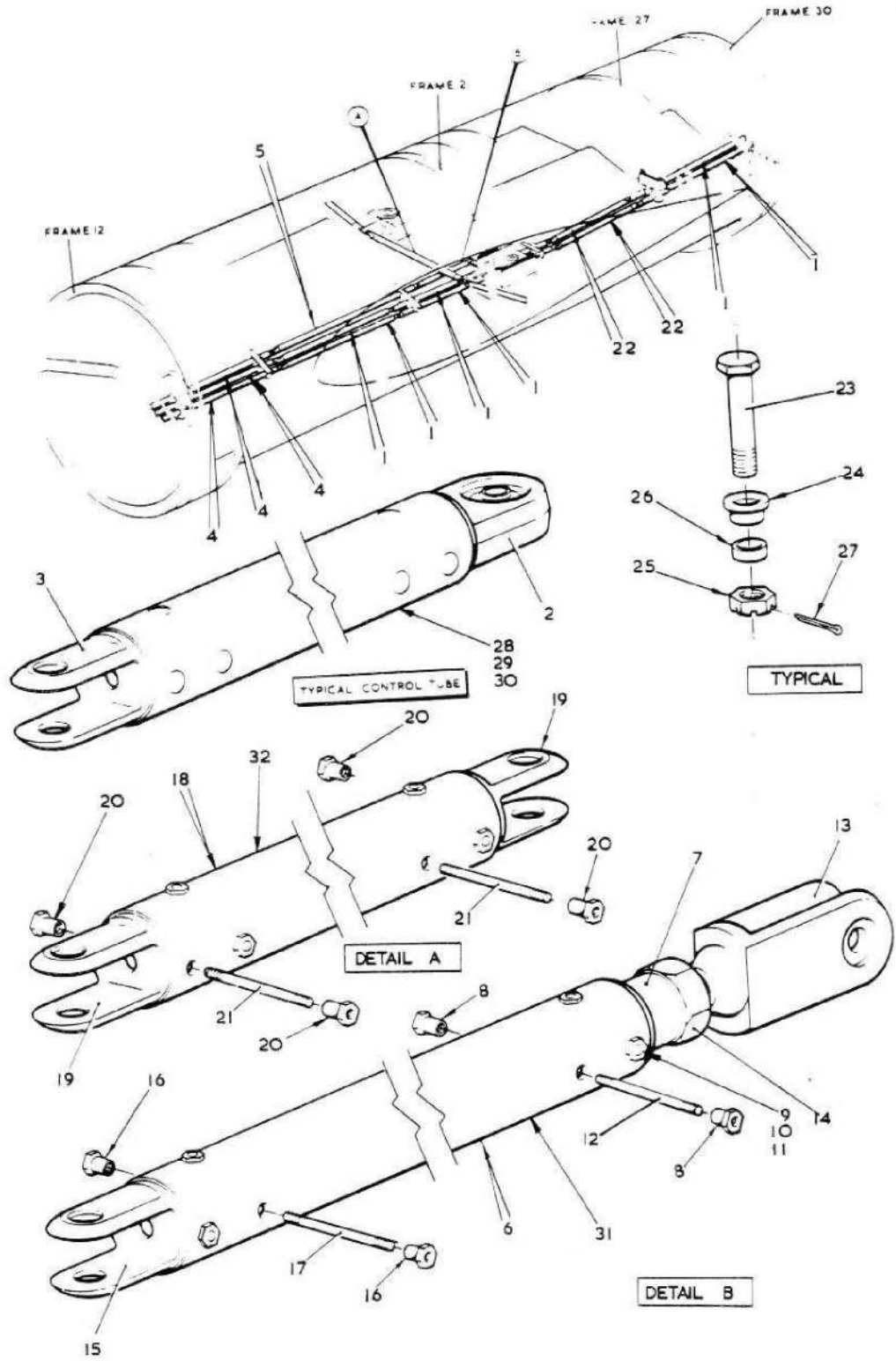


FIG.3 FLYING CONTROLS IN CENTRE FUSELAGE

This file was downloaded  
from the RTFM Library.

Link: [www.scottbouch.com/rtfm](http://www.scottbouch.com/rtfm)

Please see site for usage terms,  
and more aircraft documents.

