

FLYING CONTROLS IN REAR FUSELAGE

Part Number	1 2 3 4 5 6	Description	No. Off	Matl. Spec.	Plate No.
EA3.45.385		CONTROLS, FLYING IN REAR FUSELAGE, ASSEMBLY	-	-	
EA1.45.601		Spares for: LEVERS, CONTROL AND MOUNTING OF BRACKETS AT FRAME 42, ASSEMBLY	1	-	
EA1.45.1193		Spares for: LEVER, CONTROL, ELEVATOR ASSEMBLY	1	-	DC1/1
HOFFMANN CS1		BEARING, ballrace	2	-	DC1/2
SKEFKO CBA2		BEARING, ballrace	3	-	DC1/3
EA1.45.573		BOBBIN	1	L40	DC1/4
EA1.45.577		BUSH, distance	1	L40	DC1/5
EEAS3D		HOUSING, ballrace	3	L40	DC1/6
EA1.45.1191		LEVER	1	-	DC1/7
A25/4C		Attaching parts for EA1.45.1191: Bolt, 2BA	4	-	DC1/8
A27CP		Nut, 2BA	4	-	DC1/9
SP16C		Washer	4	-	DC1/10
EEAS4/20C		WASHER, packing	6	L72	DC1/11
EEAS13/6		Attaching parts for EA1.45.1193: Bolt, special	1	-	DC1/12
A58ES		Nut, slotted 1/4" BSF	1	-	DC1/12A
SP90C7		Pin, split, 1/16" dia	1	-	DC1/12B
SP15E		Washer	1	-	DC1/46
EA1.45.561		LEVER, CONTROL, RUDDER, ASSEMBLY	1	-	DC1/13
HOFFMANN CS1		Spares for: BEARING, ballrace	2	-	DC1/14
EA1.45.575		BOBBIN	1	L40	DC1/15
A25/5C		Attaching parts for EA1.45.575: Bolt, 2BA	4	-	DC1/15A
A27CT		Nut, 2BA	4	-	DC1/15B
SP16C		Washer	4	-	DC1/15C
EA1.45.577		BUSH, distance	1	L40	DC1/16
EA1.45.569		LUG, c/w ballraces	1	-	DC1/17
EEAS13/7		Attaching parts for EA1.45.561: Bolt, special	1	S96	DC1/18
A58ES		Nut, thin, slotted, 1/4" BSF	1	-	DC1/18A
SP90C7		Pin, split, 1/16" dia	1	-	DC1/18B
SP15E		Washer	1	-	DC1/18C
EA1.45.499		SUPPORT, CONTROL TUBES, AT FRAME 35, ASSEMBLY	1	-	DC1/19
FAIREY AVIATION FS515		Spares for: BEARING, roller	2	-	DC1/20
EA1.45.501		SUPPORT, CONTROL TUBES, AT FRAME 37, ASSEMBLY	1	-	DC1/21
FAIREY AVIATION FS515		Spares for: BEARING, roller	2	-	DC1/22

CONTROLS
FLYING CONTROLS IN REAR FUSELAGE

Part Number	Description	No. Off	Mati. Spec.	Plate No.
EA3.45.267	. TUBE, CONTROL, LETTERED, ELEVATOR AND RUDDER, ASSEMBLY (PRE-MOD 4930)	2	—	DC1/23
EA3.45.649	. TUBE, CONTROL, LETTERED, ELEVATOR AND RUDDER, ASSEMBLY (MOD 4930)	2	—	
R R EA3.45.725	. TUBE, CONTROL, LETTERED, ASSEMBLY (MOD 5473)	2	—	
R EA3.45.297	. . TRANSFER, 'DO NOT HANDLE', waterslide (PRE-MOD 4930)	1	—	DC1/23A
EA3.45.375	. . TUBE, control (Pre-Mod 4930)	1	—	DC1/24
R R EA3.45.681	. . TUBE, control (Mod 4930) (Pre-Mod 5473)	1	—	
R R EA3.45.751	. . TUBE, control (Mod 5473)	1	—	
EA3.45.375	. TUBE, control, elevator and rudder (Pre-Mod 4930)	2	—	DC1/25
R R EA3.45.681	. TUBE, control, elevator and rudder (Mod 4930) (Pre-Mod 5473)	2	—	
EA3.45.751	. TUBE, control (Mod 5473)	2	—	
R R EA3.45.317	. TUBE, CONTROL, ELEVATOR, FROM CONTROL ARM TO ELEVATOR, ASSEMBLY (PRE-MOD 4930)	1	—	DC1/26
EA3.45.653	. TUBE, CONTROL, ELEVATOR, FROM CONTROL ARM TO ELEVATOR, ASSEMBLY (MOD 4930)	1	—	
R R EA3.45.729	. TUBE, CONTROL, ELEVATOR, FROM CONTROL ARM TO ELEVATOR ASSEMBLY (MOD 5473)	1	—	
R R EA3.45.315	. . END-FITTING (PRE-MOD 5473)	1	—	DC1/26A
EA3.45.813	. . END-FITTING (MOD 5473)	1	—	
EA3.45.813	. . Attaching parts for EA3.45.315:—			
EEAS37/13A	. . Nipple	6	—	DC1/26B
EEAS38/1A	. . Spoke	3	—	DC1/26C
EEAS47/2	. . FORK-END, adjusting	1	DTD683	DC1/27
R R EA3.45.313	. . FORK-END (PRE-MOD 5473)	1	—	DC1/28
EA3.45.811	. . FORK-END (MOD 5473)	1	—	
EA3.45.811	. . Attaching parts for EA3.45.313:—			
EEAS37/13A	. . Nipple	8	—	DC1/28A
EEAS38/1A	. . Spoke	4	—	DC1/28B
A29NP	. . NUT, 1/2" BSF	1	—	DC1/29
R R EA3.45.319	. . TUBE (PRE-MOD 5473)	1	—	DC1/29A
EA3.45.775	. . TUBE (MOD 5473)	1	—	
EA3.45.387	. TUBE, CONTROL, ELEVATOR, ASSEMBLY (PRE-MOD 4930)	1	—	DC1/30
R R EA3.45.683	. TUBE, CONTROL, ELEVATOR, ASSEMBLY (MOD 4930) (PRE-MOD 5473)	1	—	
R R EA3.45.753	. TUBE, CONTROL, ELEVATOR, ASSEMBLY (MOD 5473) Spares for:—	1	—	
R R EEAS128	. . END-FITTING (PRE-MOD 5473)	1	—	DC1/30A
EA3.45.769	. . END-FITTING (MOD 5473)	1	—	
EA3.45.769	. . Attaching parts for EEAS128:—			
EEAS37/13A	. . Nipple	4	—	DC1/30B
EEAS38/1A	. . Spoke	2	—	DC1/30C
EEAS47/2	. . FORK-END, adjusting	1	DTD683	DC1/31
R R EEAS131/2	. . FORK-END (PRE-MOD 5473)	1	—	DC1/32
EA3.45.765	. . FORK-END (MOD 5473)	1	—	
EA3.45.765	. . Attaching parts for EEAS131/2:—			
EEAS37/13A	. . Nipple	6	—	DC1/32A
EEAS38/1A	. . Spoke	3	—	DC1/32B
A29NP	. . NUT, 1/2" BSF	1	—	DC1/33
R R EA3.45.373	. . TUBE (PRE-MOD 5473)	1	—	DC1/33A
EA3.45.791	. . TUBE (MOD 5473)	1	—	

AP101B-0402-3A

CONTROLS

Page DC.3

FLYING CONTROLS IN REAR FUSELAGE

Part Number	Description	No. Off	Mati. Spec.	Plate No.
R EA3.45.115	. TUBE, CONTROL, RUDDER, FROM CONTROL ARM TO RUDDER ASSEMBLY (PRE-MOD 4930)	1	—	DC1/34
R EA3.45.647	. TUBE, CONTROL, RUDDER, FROM CONTROL ARM TO RUDDER ASSEMBLY (MOD 4930) (PRE-MOD 5473)	1	—	
R EA3.45.723	. TUBE, CONTROL, RUDDER, FROM CONTROL ARM TO RUDDER ASSEMBLY (MOD 5473)	1	—	
R EEAS128	. . END-FITTING Attaching parts for EEAS128:—	1	—	DC1/34A
R EEAS37/13A	. . Nipple	4	—	DC1/34B
R EEAS38/1A	. . Spoke	2	—	DC1/34C
EEAS47/2	. . FORK-END, adjusting	1	DTD683	DC1/35
EEAS131/2	. . FORK-END Attaching parts for EEAS131/2:—	1	—	DC1/36
EEAS37/13A	. . Nipple	6	—	DC1/36A
EEAS38/1A	. . Spoke	3	—	DC1/36B
A29NP	. . NUT, 1/2" BSF	1	—	DC1/37
EA3.45.113	. . TUBE	1	—	DC1/37A
EA3.45.393	. TUBE, CONTROL, RUDDER, FROM CONTROL ARM, ASSEMBLY (PRE-MOD 4930)	1	—	DC1/38
EA3.45.685	. TUBE, CONTROL, RUDDER, FROM CONTROL ARM, ASSEMBLY (MOD 4930) (PRE-MOD 5473)	1	—	
R EA3.45.755	. TUBE, CONTROL, RUDDER, FROM CONTROL ARM, ASSEMBLY (MOD 5473)	1	—	
R EEAS128	. . END-FITTING (PRE-MOD 5473)	1	—	DC1/38A
R EA3.45.769	. . END-FITTING (MOD 5473) Attaching parts for EEAS128:—	1	—	
EEAS37/13A	. . Nipple	4	—	DC1/38B
EEAS38/1A	. . Spoke	2	—	DC1/38C
EEAS47/2	. . FORK-END, adjusting	1	DTD683	DC1/39
EEAS131/2	. . FORK-END, (PRE-MOD 5473)	1	—	DC1/40
R EA3.45.765	. . FORK-END (MOD 5473) Attaching parts for EEAS131/2:—	1	—	
EEAS37/13A	. . Nipple	6	—	DC1/40A
EEAS38/1A	. . Spoke	3	—	DC1/40B
A29NP	. . NUT, 1/2" BSF	1	—	DC1/41
R EA3.45.395	. . TUBE (PRE-MOD 5473)	1	—	DC1/41A
R EA3.45.795	. . TUBE (MOD 5473) Attaching parts for control tubes:—	1	—	
EEAS13/1	. Bolt, special	2	S11	DC1/42
EEAS14	. Bush	2	S11	DC1/43
EEAS63E	. Nut, special	2	S96	DC1/44
EEAS127	. Piece, distance	2	S96	DC1/45
SP90C7	. Pin, split, 1/16" dia	2	—	DC1/45A

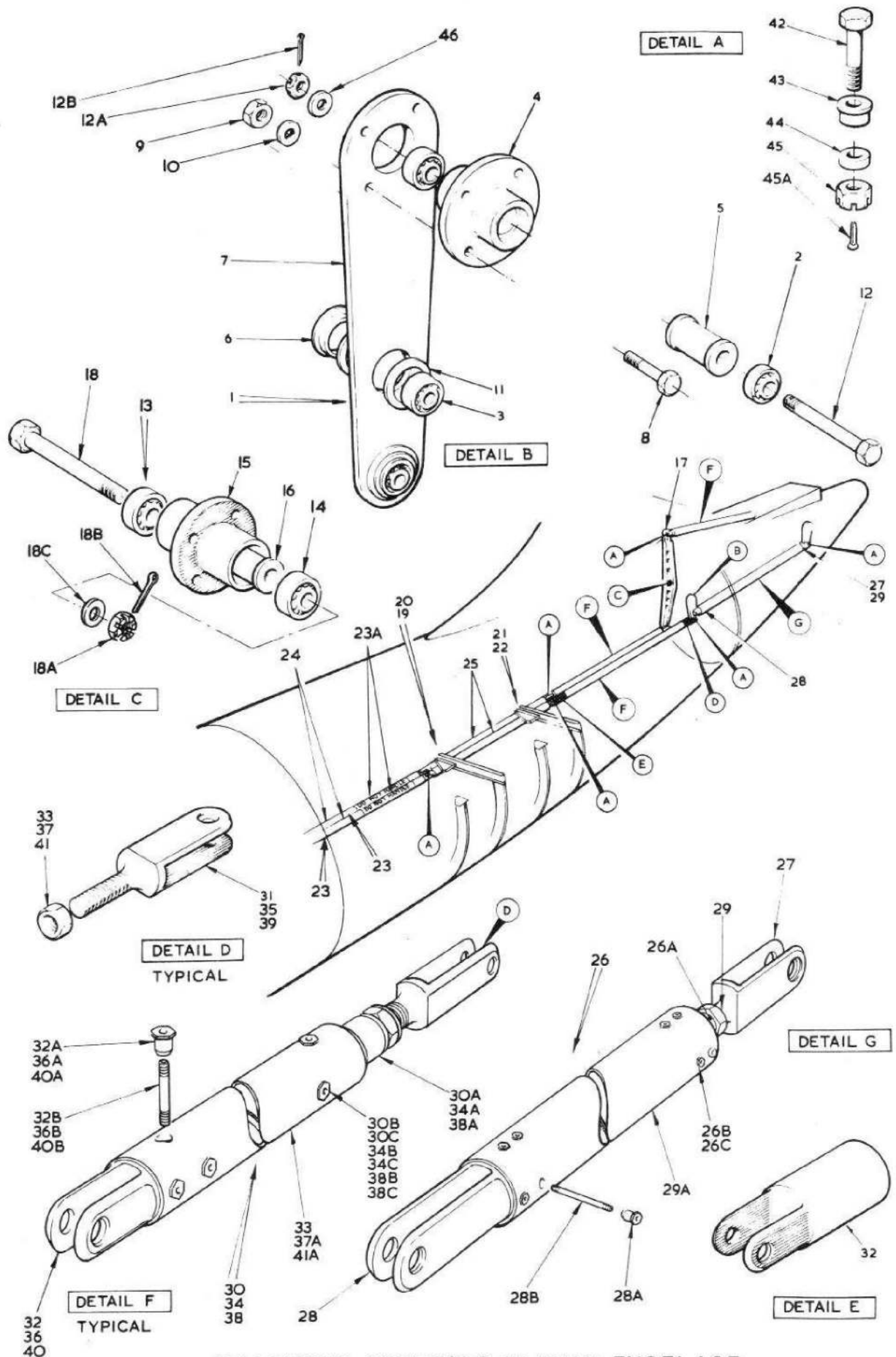


FIG.1 FLYING CONTROLS IN REAR FUSELAGE

This file was downloaded
from the RTFM Library.

Link: www.scottbouch.com/rtfm

Please see site for usage terms,
and more aircraft documents.

