

AP101B-0402-3A

CONTROLS

Page DF.1

FLAP OPERATING MECHANISM, PORT

Part Number	Description	No. Off	Matl. Spec.	Plate No.	
					1
EA1.20.701	FLAP OPERATING MECHANISM, PORT, ASSEMBLY	—	—	DF1/17	
	Spares for:				
EA1.20.711	. BRACKET, flap operating, jack unit support	2	L65	DF1/25	
	Attaching parts for EA1.20.711:				
A25/10G	. Bolt, 5/16" BSF	2	—	DF1/20	
SP15G	. Washer	2	—	DF1/19	
EA1.20.885	. BRACKET, mounting, flap operating jack unit (Pre Mod.4781)	4	DTD683	DF1/23	
EA3.20.3991	. BRACKET, mounting, flap operating jack unit (Mod.4781)	4	S97		
	Attaching parts for EA1.20.885 & EA3.20.3991:				
A25/8G	. Bolt, 5/16" BSF	1	—	DF1/24	
EA1.20.3129	. BRACKET, mounting, Desynn transmitter	1	L72	DF2/17	
	Attaching parts for EA1.20.3129:				
A25/1B	. Bolt, 4BA	6	—	DF2/15	
AS1900B	. CLIP, cable	1	—	DF2/15A	
EA3.20.1011	. LINK, CONNECTING, FLAP TO OPERATING MECHANISM, ASSEMBLY	4	—	DF1/1	
	Spares for:				
EA3.20.1009	. . BEARING	2	—	DF1/1A	
EA3.20.1007	. . BUSH	2	—	DF1/1B	
EA3.20.1013	. . HOUSING, bearing	1	—	DF1/1C	
EA3.20.1015	. . HOUSING, bearing	1	—	DF1/1D	
EA1.20.797	. . PLATE, locking	1	L72	DF1/10	
	Attaching parts for EA1.20.797:				
A25/9B	. . Bolt, 4BA	2	—	DF1/9	
AGS2001B1	. . Nut, stiff, 4BA	2	—	DF1/8	
SP15B	. . Washer	2	—	DF1/7	
EA1.20.795	. . SCREW, adjusting	1	S11	DF1/6	
EA1.20.791	. . WASHER	2	L65 or L72	DF1/11	
SP21	NIPPLE, lubricating	4	—	DF1/22A	
EA1.20.683	. PLATE, cover, at rib 3A, for assembly of flap jack unit (Pre Mod.738)	1	DTD320	DF2/22A	
EA3.20.2289	. PLATE, cover, at rib 3A, for assembly of flap jack unit (Mod.738)	1	L72	DF2/22	
	Attaching parts for EA1.20.683 or EA3.20.2289:				
A61/1C	. Bolt, 2BA	6	—	DF2/20	
AGS2001C3	. Nut, stiff, 2BA	6	—	DF2/23	
SP15C	. Washer	6	—	DF2/21	
EA1.20.10777	. PLATE, cover at rib 3A, for assembly of flap jack unit	1	L72	DF2/13	
	Attaching parts for EA1.20.10777:				
A61/1C	. Bolt, 2BA	6	—	DF2/7	
AGS2001C3	. Nut, stiff, 2BA	6	—	DF2/9	
SP15C	. Washer	6	—	DF2/8	
EA1.20.10778	. PLATE, cover at rib 3A, for assembly of flap jack unit	1	L72	DF2/31	
	Attaching parts for EA1.20.10778:				
A61/1C	. Bolt, 2BA	6	—	DF2/29	
AGS2001C3	. Nut, stiff, 2BA	6	—	DF2/32	
SP15C	. Washer	6	—	DF2/30	

R

CONTROLS
FLAP OPERATING MECHANISM, PORT

Part Number	Description	No. Off	Matl. Spec.	Plate No.
EA1.20.10779	. PLATE, cover at ribs 3, 4 & 5, for assembly of flap jacks unit Attaching parts for EA1.20.10779:	2	L72	DF1/5
A61/1C	. Bolt, 2BA	7	—	DF1/2
AGS2001C3	. Nut, stiff, 2BA	7	—	DF1/4
SP15C	. Washer	7	—	DF1/3
EA1.20.10780	. PLATE, cover at ribs 3, 4 & 5, for assembly of flap jack unit Attaching parts for EA1.20.10780:	1	L72	DF1/18
A61/1C	. Bolt, 2BA	7	—	DF1/14
AGS2001C3	. Nut, stiff, 2BA	7	—	DF1/16
SP15C	. Washer	7	—	DF1/15
EA1.20.813	. ROD, PUSH, OUTBOARD FLAP CONTROL, BETWEEN HINGE AND OPERATING JACK, ASSEMBLY Spares for:	1	—	DF2/28
EA1.20.839	. . BUSH	1	DTD197	DF2/25
EA1.20.827	. . EYE-END	1	L65	DF2/24
EA1.20.825	. . FORK-END	1	L65	DF2/36
	Attaching parts for EA1.20.827 and EA1.20.825:			
EEAS37/15A	. . Nipple	6	S96	DF2/35
EEAS38/2A	. . Spoke	3	S96	DF2/34
SP21	. . NIPPLE, lubricating	1	—	DF2/39
EA1.20.805	. . PIN, special	1	S11	DF2/37
SP90G6	. . PIN, split, 1/8" dia	1	—	DF2/37A
EA1.20.807	. . PLATE, locking	1	L72	DF2/33
	Attaching parts for EA1.20.807:			
A33B8	. . Screw, 4BA	2	—	DF2/33A
EA1.20.833	. . TUBE	1	—	DF2/33B
EEAS5	. . WASHER, red fibre, for lubricating nipple	1	BSS216	DF2/38
	Attaching parts for EA1.20.813:			
EA1.20.803	. Pin, special	1	S11	DF1/22
SP90G6	. Pin, split, 1/8" dia	1	—	DF1/21
EA1.20.815	. ROD, PUSH, INBOARD AND OUTBOARD FLAP CONTROL, BETWEEN HINGE AND OPERATING JACK, ASSEMBLY Spares for:	2	—	DF1/12
EA1.20.839	. . BUSH	1	DTD197	DF1/12A
EA1.20.827	. . EYE-END	1	L65	DF1/12B
EA1.20.825	. . FORK-END	1	L65	DF1/12C
	Attaching parts for EA1.20.827 and EA1.20.825:			
EEAS37/15A	. . Nipple	6	S96	DF1/12D
EEAS38/2A	. . Spoke	3	S96	DF1/12E
SP21	. . NIPPLE, lubricating	1	—	DF1/12F
EA1.20.805	. . Pin, special	1	S11	DF1/12G
SP90G6	. . PIN, split, 1/8" dia	1	—	DF1/12H
EA1.20.807	. . PLATE, locking	1	L72	DF1/12J
	Attaching parts for EA1.20.807:			
A33B8	. . Screw, 4BA	2	—	DF1/12K
EA1.20.835	. . TUBE	1	—	DF1/12L
EEAS5	. . WASHER, red fibre, for lubricating nipple	1	BSS216	DF1/12M
	Attaching parts for EA1.20.815:			
EA1.20.803	. Pin, special	1	S11	DF1/22
SP90G6	. Pin, split, 1/8" dia	1	—	DF1/21

R

AP101B-0402-3A

CONTROLS

FLAP OPERATING MECHANISM, PORT

Part Number	Description	No. Off	Matl. Spec.	Plate No.	
					1
EA1.20.819	. ROD, PUSH, INBOARD FLAP CONTROL BETWEEN HINGE AND OPERATING JACK CONNECTING ARM, ASSEMBLY Spares for:	1	—	DF1/13	
EA1.20.839	. . . BUSH	1	DTD197	DF1/13A	
EA1.20.827	. . . EYE-END	1	L65	DF1/13B	
EA1.20.825	. . . FORK-END Attaching parts for EA1.20.827 and EA1.20.825:	1	L65	DF1/13C	
EEAS37/15A	. . . Nipple	6	S96	DF1/13D	
EEAS38/2A	. . . Spoke	3	S96	DF1/13E	
SP21	. . . NIPPLE, lubricating	1	—	DF1/13F	
EA1.20.805	. . . PIN, special	1	S11	DF1/13G	
SP90G6	. . . PIN, split, 1/8" dia	1	—	DF1/13H	
EA1.20.807	. . . PLATE, locking Attaching parts for EA1.20.807:	1	L72	DF1/13J	
A33B8	. . . Screw, 4BA	2	—	DF1/13K	
EA1.20.893	. . . TUBE	1	—	DF1/13L	
EEAS5	. . . WASHER, red fibre, for lubricating nipple Attaching parts for EA1.20.819:	1	BSS216	DF1/13M	
EA1.20.803	. Pin, special	1	S11	DF1/22	
SP90G6	. Pin, split, 1/8" dia	1	—	DF1/21	
EA1.20.3133	. ROD, CONNECTING, FLAP INDICATOR MECHANISM, ASSEMBLY Consisting of:	1	—	DF2/1	
AGS899/2	. . . Collar	2	—	DF2/4	
EA1.20.881	. . . FORK-END	1	L1	DF2/3	
EA1.20.883	. . . FORK-END, L.H. thread	1	L1	DF2/11	
A27CT	. . . NUT, thin, 2BA	1	—	DF2/2	
A27CTL	. . . NUT, thin, 2BA	1	—	DF2/12	
SP4Y/B4	. . . PIN, shackle	2	—	DF2/6	
SP90C7	. . . PIN, split, 1/16" dia	2	—	DF2/5	
EA1.20.3157	. . . ROD, adjusting	1	DTD683	DF2/10	
135FL	. TRANSMITTER, desynn Attaching parts for 6A/2134:	1	—	DF2/14	
A61/2C	. Bolt, 2BA	4	—	DF2/16	
AGS2001C3	. Nut, stiff, 2BA	4	—	DF2/19	
SP15C	. Washer	4	—	DF2/18	
EEAS5	. WASHER, red fibre, for lubricating nipple	4	—	DF1/22B	

R

R

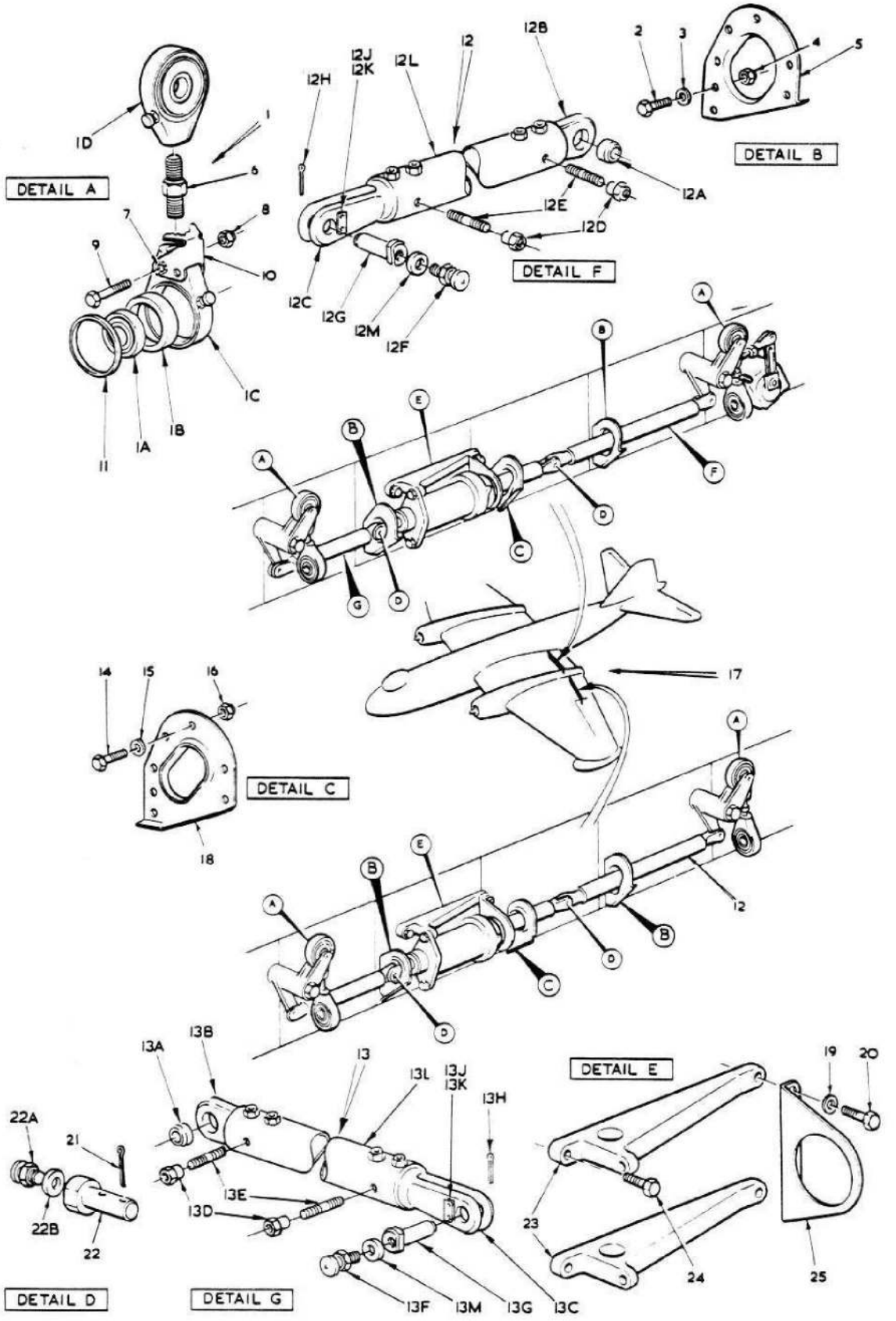


FIG.1 FLAP OPERATING MECHANISM, PORT

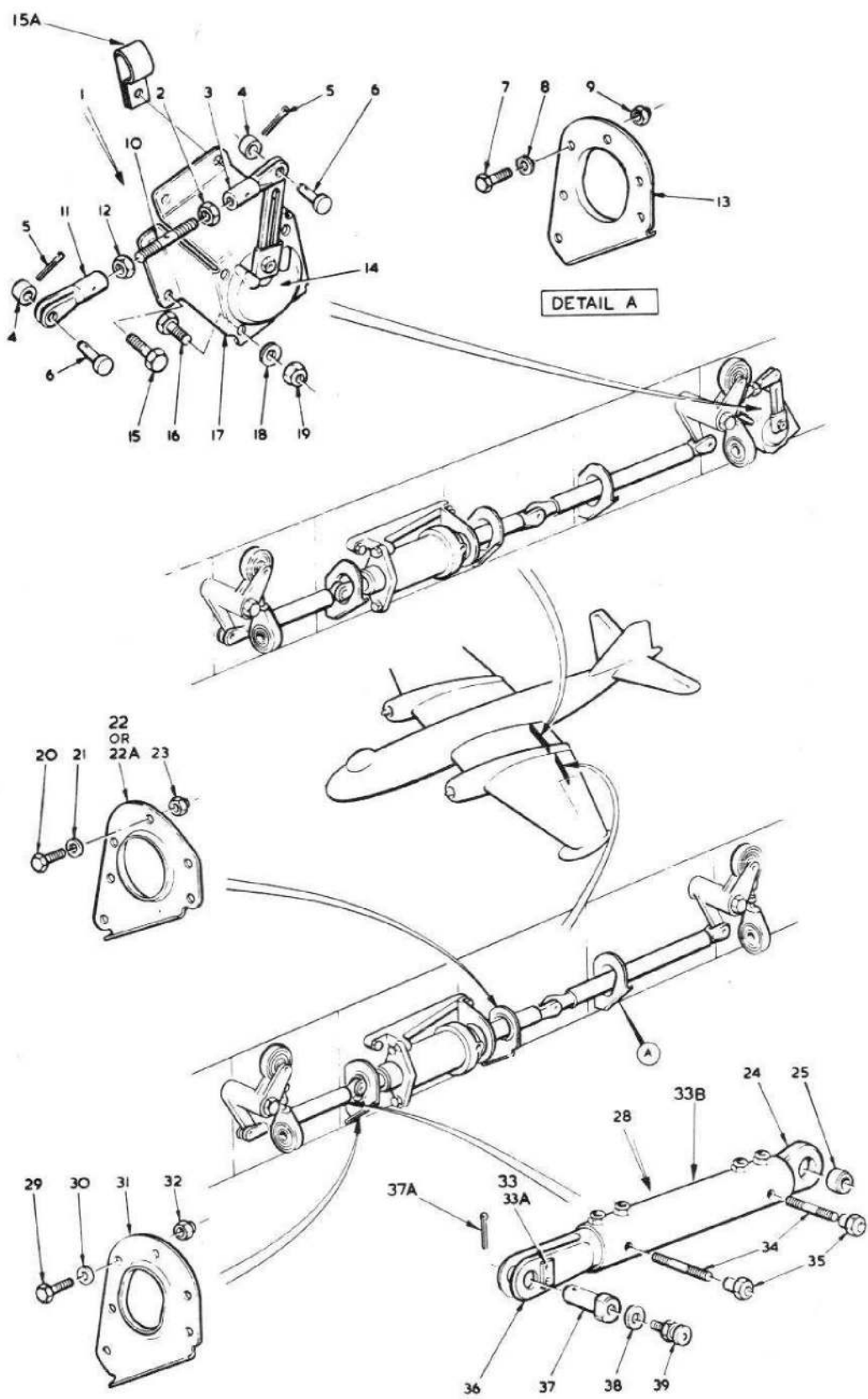


FIG.2 FLAP OPERATING MECHANISM PORT

This file was downloaded
from the RTFM Library.

Link: www.scottbouch.com/rtfm

Please see site for usage terms,
and more aircraft documents.

