

## CONTROLS

## FLAP OPERATING MECHANISM, STARBOARD

Part Number	Description	No. Off	Matl. Spec.	Plate No.	
					1
EA1.20.700	FLAP OPERATING MECHANISM, STARBOARD ASSEMBLY Spares for:—	—	—	DG1/18	
EA1.20.711	. BRACKET, flap operating jack unit support Attaching parts for EA1.20.711:—	2	L65	DG1/20	
A25/10G	. Bolt, $\frac{5}{16}$ " BSF	2	—	DG1/22	
SP15G	. Washer	2	—	DG1/21	
EA1.20.885	. BRACKET, mounting, flap operating jack unit (Pre-Mod 4781)	2	DTD683	DG1/25	
EA3.20.3991	. BRACKET, mounting, flap operating jack unit (Mod 4781) Attaching parts for EA1.20.885 and EA3.20.3991:—	2	SS7		
A25/8G	. Bolt, $\frac{5}{16}$ " BSF	1	—	DG1/26	
EA1.20.887	. BRACKET, mounting, flap operating jack unit centre wing (Pre-Mod 4781)	2	DTD683	DG1/23	
EA3.20.4009	. BRACKET, mounting, flap operating jack unit centre wing (Mod 4781) Attaching parts for EA1.20.887 and EA3.20.4009:—	2	SS7		
A25/8G	. Bolt, $\frac{5}{16}$ " BSF	1	—	DG1/24	
EA3.20.1011	. LINK, CONNECTING, FLAP TO OPERATING MECHANISM, ASSEMBLY Spares for:—	4	—	DG1/1	
EA3.20.1009	. . BEARING	2	—	DG1/1A	
EA3.20.1007	. . BUSH	2	—	DG1/1B	
EA3.20.1013	. . HOUSING, bearing	1	—	DG1/1C	
EA3.20.1015	. . HOUSING, bearing	1	—	DG1/1D	
EA1.20.797	. . PLATE, locking Attaching parts for EA1.20.797:—	1	L72	DG1/7	
A25/9B	. . Bolt, 4BA	2	—	DG1/9	
AGS2001B1	. . Nut, stiff, 4BA	2	—	DG1/10	
SP15B	. . Washer	2	—	DG1/6	
EA1.20.795	. . SCREW, adjusting	1	S11	DG1/3	
EA1.20.791	. . WASHER, special	2	L65 or L72	DG1/11	
SP21	. NIPPLE, lubricating	4	—	DG1/13B	
EA1.20.683	. PLATE, cover at rib 3A, for assembly of flap jack unit (Pre-Mod 738)	1	L72	DG2/25A	
EA3.20.2289	. PLATE, cover at rib 3A, for assembly of flap jack unit (Mod 738) Attaching parts for EA1.20.683 or EA3.20.2289:—	1	L72	DG2/25	
A61/1C	. Bolt, 2BA	6	—	DG2/23	
AGS2001C3	. Nut, stiff, 2BA	6	—	DG2/26	
SP15C	. Washer	6	—	DG2/24	
EA1.20.10777	. PLATE, cover at rib 3A, for assembly of flap jack unit Attaching parts for EA1.20.10777:—	1	L72	DG2/28	
A61/1C	. Bolt, 2BA	6	—	DG2/20	
AGS2001C3	. Nut, stiff, 2BA	6	—	DG2/22	
SP15C	. Washer	6	—	DG2/21	
EA1.20.10778	. PLATE, cover at rib 3A, for assembly of flap jack unit Attaching parts for EA1.20.10778:—	1	L72	DG2/18	
A61/1C	. Bolt, 2BA	6	—	DG2/16	
AGS2001C3	. Nut, stiff, 2BA	6	—	DG2/19	
SP15C	. Washer	6	—	DG2/17	

R

## FLAP OPERATING MECHANISM, STARBOARD

Part Number	Description	No. Off	Matl. Spec.	Plate No.
EA1.20.10779	. PLATE, cover at ribs 3, 4 and 5, for assembly of flap jack unit Attaching parts for EA1.20.10779:—	2	L72	DG1/2
A61/1C	. Bolt, 2BA	7	—	DG1/4
AGS2001C3	. Nut, stiff, 2BA	7	—	DG1/8
SP15C	. Washer	7	—	DG1/5
EA1.20.10780	. PLATE, cover at ribs 3, 4 and 5, for assembly of flap jack unit Attaching parts for EA1.20.10780:—	1	L72	DG1/19
A61/1C	. Bolt, 2BA	7	—	DG1/14
AGS2001C3	. Nut, stiff, 2BA	7	—	DG1/16
SP15C	. Washer	7	—	DG1/15
EA1.20.817	. ROD, PUSH, OUTBOARD FLAP CONTROL BETWEEN FLAP HINGE AND OPERATING JACK, ASSEMBLY Spares for:—	1	—	DG2/1
EA1.20.839	. . BUSH	1	DTD197	DG2/4
EA1.20.827	. . EYE-END	1	L65	DG2/2
EA1.20.825	. . FORK-END	1	L65	DG2/10
	Attaching parts for EA1.20.827 and EA1.20.825:—			
EEAS37/15A	. . Nipple	6	S96	DG2/8
EEAS38/2A	. . Spoke	3	S96	DG2/7
SP21	. . NIPPLE, lubricating	1	—	DG2/13
EA1.20.805	. . PIN, special	1	S11	DG2/11
SP90G6	. . PIN, split, 1/8" dia	1	—	DG2/11A
EA1.20.807	. . PLATE, locking Attaching parts for EA1.20.807:—	1	L72	DG2/3
A33B8	. . Screw, 4BA	2	—	DG2/3A
EA1.20.837	. . TUBE	1	—	DG2/3B
EEAS5	. . WASHER, red fibre, for lubricating nipple Attaching parts for EA1.20.817:—	1	BSS216	DG2/12
EA1.20.803	. Pin, special	1	S11	DG1/13
SP90G6	. Pin, split, 1/8" dia	1	—	DG1/12
EA1.20.869	. ROD, PUSH, INBOARD, FLAP CONTROL BETWEEN HINGE AND OPERATING JACK CONNECTING ARM, ASSEMBLY Spares for:—	1	—	DG1/17
EA1.20.839	. . BUSH	1	DTD197	DG1/17A
EA1.20.827	. . EYE-END	1	L65	DG1/17B
EA1.20.825	. . FORK-END	1	L65	DG1/17C
	Attaching parts for EA1.20.827 and EA1.20.825:—			
EEAS37/15A	. . Nipple	6	S96	DG1/17D
EEAS38/2A	. . Spoke	3	S96	DG1/17E
SP21	. . NIPPLE, lubricating	1	—	DG1/17F
EA1.20.805	. . PIN, special	1	S11	DG1/17G
SP90G6	. . PIN, split, 1/8" dia	1	—	DG1/17H
EA1.20.807	. . PLATE, locking Attaching parts for EA1.20.807:—	1	L72	DG1/17J
A33B8	. . Screw, 4BA	2	—	DG1/17K
EA1.20.895	. . TUBE	1	—	DG1/17L
EEAS5	. . WASHER, red fibre, for lubricating nipple Attaching parts for EA1.20.869:—	1	BSS216	DG1/17M
EA1.20.803	. Pin, special	1	S11	DG1/13
SP90G6	. Pin, split, 1/8" dia	1	—	DG1/12

## FLAP OPERATING MECHANISM, STARBOARD

Ref. No.	Part No.	Description	No. off	Matl. Spec.	Cl. of Equip M.R. L.M.	Plate No.
9893	EA1.20.889	ROD, PUSH, INBOARD FLAP, CENTRE WING ASSEMBLY Spares for:—	1	—	B	DG2/9
507	EA1.20.839	BUSH	1	DTD197	C	DG2/9A
6920	EA1.20.827	EYE-END	1	L65	C	DG2/9B
508	EA1.20.825	FORK-END	1	L65	C	DG2/9C
1096	EEAS37/15A	Attaching parts for EA1.20.827 and EA1.20.825:—	6	S96	C	DG2/9D
1571	EEAS38/2A	Nipple	3	S96	C	DG2/9F
28N/9156370	SP21	NIPPLE, lubricating	1	—	C	DG2/9F
509	EA1.20.805	PIN, special	1	S11	C	DG2/9G
28P/19176	SP90G6	PIN, split, 1/8" dia	1	—	C	DG2/9H
510	EA1.20.807	PLATE, locking	1	L72	C	DG2/9J
28S/9995325	A33B8	Attaching parts for EA1.20.807:— Screw, 4BA	2	—	C	DG2/9K
549	EA1.20.897	TUBE	1	—	C	DG2/9L
	EEAS5	WASHER, red fibre, for lubricating nipple Attaching parts for EA1.20.889:—	1	BSS216	C	DG2/9M
503	EA1.20.803	Pin, special	1	S11	C	DG1/13
28P/19176	SP90G6	Pin, split, 1/8" dia	1	—	C	DG1/12
9894	EA1.20.891	ROD, PUSH, FLAP, OUTER WING, ASSEMBLY Spares for:—	1	—	B	DG2/27
507	EA1.20.839	BUSH	1	DTD197	C	DG2/27A
6290	EA1.20.827	EYE-END	1	L65	C	DG2/27B
508	EA1.20.825	FORK-END	1	L65	C	DG2/27C
1096	EEAS37/15A	Attaching parts for EA1.20.827 and EA1.20.825:—	6	S96	C	DG2/27D
1571	EEAS38/2A	Nipple	3	S96	C	DG2/27E
28N/9156370	SP21	NIPPLE, lubricating	1	—	C	DG2/27F
509	EA1.20.805	PIN, special	1	S11	C	DG2/27G
28P/19176	SP90/G6	PIN, split, 1/8" dia	1	—	C	DG2/27H
510	EA1.20.807	PLATE, locking	1	L72	C	DG2/27J
28S/9995325	A33B8	Attaching parts for EA1.20.807:— Screw, 4BA	2	—	C	DG2/27K
549	EA1.20.899	TUBE	1	—	C	DG2/27L
	EEAS5	WASHER, red fibre, for lubricating nipple Attaching parts for EA1.20.891:—	1	BSS216	C	DG2/27M
503	EA1.20.803	Pin, special	1	S11	C	DG1/13
28P/19176	SP90G6	Pin, split, 1/8" dia	1	—	C	DG1/12
549	EEAS5	WASHER, red fibre, for lubricating nipple	4	—	C	DG1/13A



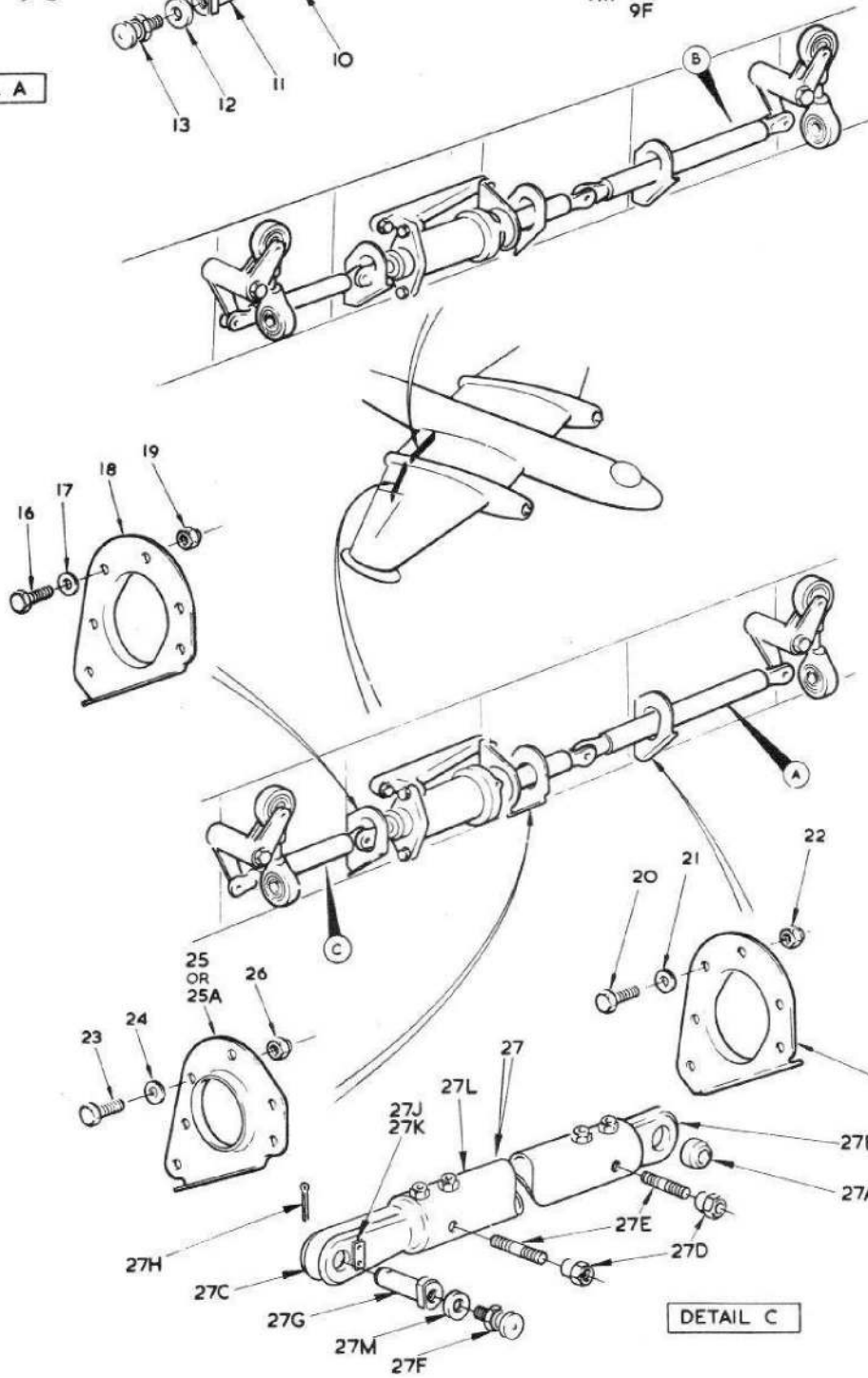
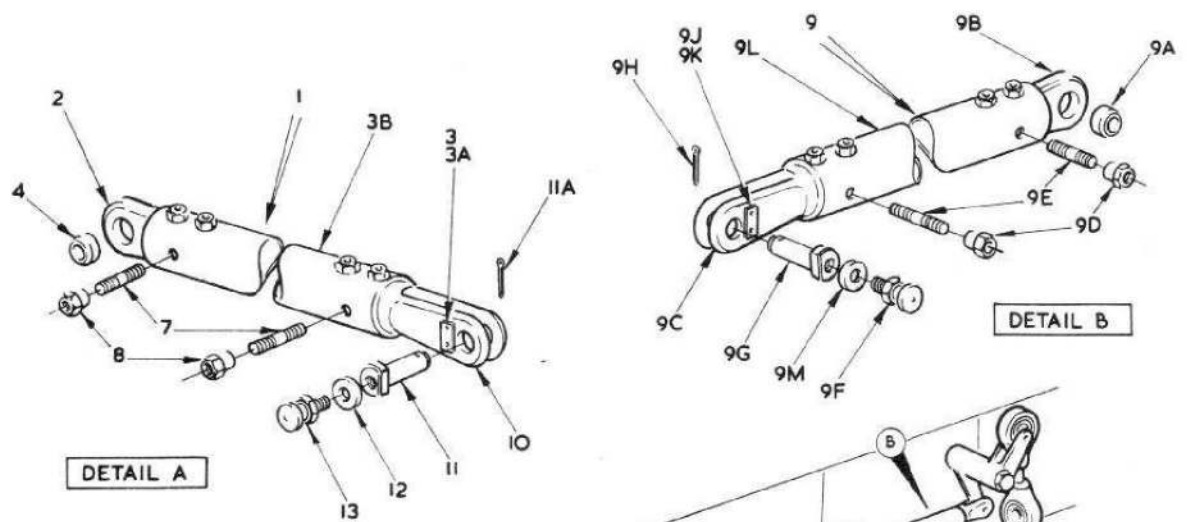


FIG.2 FLAP OPERATING MECHANISM STBD

This file was downloaded  
from the RTFM Library.

Link: [www.scottbouch.com/rtfm](http://www.scottbouch.com/rtfm)

Please see site for usage terms,  
and more aircraft documents.



LIGHTNING MK. 1  
COVER PITOT HEAD  
EB2-88-511