

AP101B-0402-3A

## ELECTRICAL

## ELECTRICAL EQUIPMENT IN REAR FUSELAGE

Part Number	Description	No. Off	Mati. Spec.	Plate No.
EA1.81.8	ELECTRICAL EQUIPMENT IN REAR FUSELAGE, ASSEMBLY Spares for:	—	—	
R E.E. CO. LTD BRADFORD AE258	. ACTUATOR, rudder bias, type 258, Mk.6	1	—	EC1/1
R E.E. CO. LTD. BRADFORD AE4023	. ACTUATOR, tail plane, type AE4023 Mk.2	1	—	EC1/2
R SIS1564	. BLOCK, terminal, 2 way Attaching parts for SIS1564	1	—	EC1/3
A33A20	. Screw, csk. head, 6BA	2	—	EC1/4
EA1.81.446/1	. BOX, JUNCTION, NO.6, ASSEMBLY (PRE MOD.5204)	1	—	EC1/5
EA3.81.8163	. BOX, JUNCTION, NO.6, ASSEMBLY (MOD.5204 — S.O.O.) Consisting of:	1	—	
703-1-00249	. BLOCK, terminal, 20 way Attaching parts for 703-1-00249:	2	—	EC1/6
A43B24	. Screw, cheese head, 4BA	2	—	EC1/7
EA1.81.583	. BOX, junction, 40 way	1	—	EC1/8
EA1.81.597C	. COVER, ASSEMBLY Attaching parts for EA1.81.597C:	1	—	EC1/9
EEAS117/1	. Screw, cover	6	—	EC1/10
EEAS28/2CU	. Washer	12	DTD124A	EC1/11
EEAS42	. Washer	6	Leather	EC1/12
508-4-11290-004	. GASKET, seal for blanking plate	2	—	EC1/13
508-4-11290-005	. GASKET, seal for blanking plate	2	—	EC1/14
R Z22634	. GROMMET, dummy, Helsyn (Pre Mod.5204)	3	—	EC1/15
Z22634	. GROMMET, dummy, Helsyn (Mod.5204 — S.O.O.)	5	—	
Z22432	. GROMMET (MOD.5204 — S.O.O.)	2	—	
703-2-00254	. LINK, connecting, 5 way (Pre Mod.5204)	1	—	EC1/16
703-2-00251	. LINK, connecting, 2 way (Mod.5204 — S.O.O.)	1	—	
703-2-00252	. LINK, connecting, 3 way (Mod.5204 — S.O.O.)	1	—	
703-2-00255	. LINK, connecting, 6 way (Mod.5204 — S.O.O.)	1	—	
EA1.81.461	. PLATE, blanking 20 SWG	1	L72	EC1/17
EA1.81.463	. PLATE, blanking 22 SWG Attaching parts for EA1.81.461 and EA1.81.463:	2	L72	EC1/18
A27AP	. Nut, 6BA	4	—	EC1/20
A32A12	. Screw, 6BA	4	—	EC1/19
SP47A	. Washer, spring	4	—	EC1/21
R 508-1-06413	. PLUG, 26 way, size D (Pre Mods.3377 and 5204)	1	—	EC1/22
508-1-06413	. PLUG, 26 way, size D (Mod.3377)	1	—	
R SL2/3	. SLEEVE, Hellermann, No.1 x 3/8" long (Pre Mod.5204)	16	—	EC1/23
R 508-2-11232-002	. SLEEVE, 3/8" long, yellow (Pre Mod.5204)	19	—	EC1/24
EEAS146/16	. SLEEVE, cable (Pre Mod.5204)	14	—	EC1/25
EEAS146/16	. SLEEVE, 3/8" long (Mod.5204 — S.O.O.)	QR	—	
EEAS146/20	. SLEEVE, 3/8" long (Mod.5204 — S.O.O.)	QR	—	
EEAS146/20	. SLEEVE, 3/8" long (Mod.5204 — S.O.O.)	QR	—	
R MAM. RUBBER GRADE CXH	. SLEEVE, 3 mm i/d X 3/8" long, pink, grade CxH (Mod.5204 — S.O.O.)	21	—	
508-2-11232-002	. SLEEVE, inner 4-7 amp (Mod.5204 — S.O.O.)	10	—	

## ELECTRICAL EQUIPMENT IN REAR FUSELAGE

Part Number	Description	No. Off	Matl. Spec.	Plate No.
703-2-00315-020	. . TAG, QR, 4 amp (Pre Mod.5204)	14	—	EC1/26
703-2-00316-020	. . TAG, QR, 7 amp (Pre Mod.5204)	2	—	EC1/27
HC490	. . TAG, QR (MOD.5204)	10	—	
HC500	. . TAG, QR (MOD.5204 — S.O.O.)	3	—	
703-2-00339-020	. . THIMBLE, QR, 4 amp (Pre Mod.5204)	14	—	EC1/28
703-2-00340-020	. . THIMBLE, QR, 7 amp (Pre Mod.5204)	2	—	EC1/29
	Attaching parts for EA1 81.446/1:			
A25/1C	. Bolt, 2BA	4	—	EC1/30
AGS2001C1/66	. Nut, stiff, 2BA	4	—	EC1/31
R EA1.81.271	. CLEAT, cable Attaching parts for EA1.81.271:	1	—	EC1/32
R A25/13C	. Bolt, 2BA	1	—	EC1/33
R SP13C	. Washer	1	—	EC1/34
R EA1.81.979	. CLEAT, cable Attaching parts for EA1.81.979:	1	—	EC1/35
R EA1.81.977	. Bolt, special, 4BA	2	—	EC1/36
R SP13B	. Washer	2	—	EC1/37
R AS1900/1	. CLIP, cable Attaching parts for AS1900/1:	4	—	EC1/38
R A25/1B	. Bolt, 4BA	QR	—	EC1/39
R AS1900/2	. CLIP, cable Attaching parts for AS1900/2:	QR	—	EC1/40
R A25/1B	. Bolt, 4BA	QR	—	EC1/41
R AGS2001B1	. Nut, stiff, 4BA	QR	—	EC1/42
AS3180/3B	. CLIP, cable Attaching parts for AS3180/3B:	12	—	EC2/46
R AGS2001B1	. Nut, stiff, 4BA	1	—	EC2/47
R A32B16	. Screw, round head, 4BA	1	—	EC2/48
AS3180/6B	. . CLIP, 'P' (SRIM.3577) (MOD.4937 — S.O.O.)	8	—	
AS3180/8B	. . CLIP 'P' (SRIM.3577) (MOD.4937 — S.O.O.)	2	—	
AS3180/11B	. . CLIP, 'P' (SRIM.3577) (MOD.4937 — S.O.O.) Attaching parts for AS3180/6B, AS3180/8B and AS3180/11B:	2	—	
AGS2001B1	. . Nut (SRIM.3577) (Mod.4937 — S.O.O.)	1	—	
A31B20	. . Screw (SRIM.3577) (Mod.4937 — S.O.O.)	1	—	
SP15B	. . Washer (SRIM.3577) (Mod.4937 — S.O.O.)	1	—	
EA3.81.5857	. DIODE, INSTALLATION (PRE MOD.4335) Spares for:	—	—	
703-1-00226	. . BLOCK, terminal, 2 way Attaching parts for 703-1-00226:	1	—	
AGS2001B1	. . Nut, stiff, 4BA	2	—	
703-2-00267	. . Pillar, fixing	2	—	
SP13B	. . Washer	2	—	
AS2295/1	. . CLIP, spring Attaching parts for AS2295/1:	1	—	
A47ZP	. . Nut, 8BA	1	—	
A32Z10	. . Screw, 8BA	1	—	
AS3180/4B	. . CLIP Attaching parts for AS3180/4B:	1	—	
A25/1B	. . Bolt, 2BA	1	—	
AGS2001B1	. . Nut, stiff, 2BA	1	—	
SP13B	. . Washer	1	—	

AP101B-0402-3A

## ELECTRICAL

## ELECTRICAL EQUIPMENT IN REAR FUSELAGE

Part Number	Description	No. Off	Matl. Spec.	Plate No.	
					1
703-1-00262	. . COVER, perspex	1	—		
FERRANTI ZR12	. . DIODE	1	—		
EEAS146/16	. . SLEEVE, 3/8" long, pink	2	—		
EEAS146/16	. . SLEEVE, 3/8" long, pink	2	—		
HC490	. . TAG, QR	2	—		
EA3.81.6481	. DIODE TAIL TRIM CIRCUIT, INSTALLATION (MOD.4335)	—	—	EC1/43	
	Spares for:				
AS3180/4B	. . CLIP, cable	1	—	EC1/44	
	Attaching parts for AS3180/4B:				
A25/1B	. . Bolt, 4BA	1	—	EC1/45	
AGS2001B1	. . Nut, stiff, 4BA	1	—	EC1/46	
EEAS238/1A	. . Washer, 'D'	1	—	EC1/47	
EA3.81.6473	. . PLATE MOUNTING DIODE, ASSEMBLY	1	—	EC1/48	
	Spares for:				
EA3.81.6477	. . . CABLE, ASSEMBLY, T451 from T100B relay to diode	1	—	EC1/49	
AS3180/3B	. . . CLIP, cable	1	—	EC1/50	
	Attaching parts for AS3180/3B:				
AGS2001B1	. . . Nut, 4BA	1	—	EC1/51	
A33B14	. . . Screw, 4BA	1	—	EC1/52	
EEAS238/1A	. . . Washer, 'D'	1	—	EC1/99	
AS2295/1	. . . CLIP, spring	1	—	EC1/53	
FERRANTI ZR12	. . . DIODE	1	—	EC1/54	
EA3.81.6475	. . . PLATE, mounting diode	1	L72	EC1/55	
OXLEY 156/50LP	. . . POST, barb binding	2	—	EC1/56	
	Attaching parts for EA3.81.6473:				
AGS2001B1	. . Nut, 4BA	2	—	EC1/57	
EA3.81.6479	. . Packing, 3/16" thick vinton rubber	1	DTD5543	EC1/58	
A31B16	. . Screw, 4BA	2	—	EC1/59	
—	. EARTH CONNECTION FRAME 39	—	—		
	Consisting of:				
A25/1B	. . BOLT, 4BA	1	—	EC2/1	
AGS2001B1	. . NUT, stiff, 4BA	1	—	EC2/2	
SP13B	. . WASHER	1	—	EC2/3	
EEAS28/6FP	. . WASHER, non-anodised	1	L16	EC2/4	
—	. EARTH CONNECTION FRAME 45 (Pre Alt. R60/65)	—	—		
	Consisting of:				
A25/1E	. . BOLT, 3/4" BSF	1	—	EC2/5	
SP13E	. . WASHER	1	—	EC2/6	
SP55E	. . WASHER, spring	1	—	EC2/7	
EEAS28/15FP	. . WASHER, non-anodised	1	L16	EC2/8	
—	. EARTH POINT E33, BETWEEN FRAMES 45 AND 46	—	—		
	(Alt. R60/65)				
	Consisting of:				
AGS2001/E1/66	. . NUT, stiff, 3/4" BSF	1	—		
EB7.81.329	. . STUD, earth	1	—		
EEAS28/10DPH	. . WASHER	3	—		
EA1.81.41	. ELECTRICAL EQUIPMENT, REAR FUSELAGE FAIRING, ASSEMBLY	—	—		
	Spares for:				
AS3180/3B	. . CLIP, cable	4	—	EC1/60	
AS3180/5B	. . CLIP, cable	1	—	EC1/61	
	Attaching parts for AS3180/3B and AS3180/5B:				
A27BP	. . Nut, 4BA	1	—	EC1/62	
A31B16	. . Screw, cheese head, 4BA	1	—	EC1/63	
SP47B	. . Washer, spring	1	—	EC1/64	

## ELECTRICAL EQUIPMENT IN REAR FUSELAGE

Part Number	1 2 3 4 5 6	Description	No. Off	Mati. Spec.	Plate No.
AS3180/8B		CLIP, cable Attaching parts for AS3180/8B:	4	—	EC1/65
A25/2B		Bolt, 4BA	QR	—	EC1/66
A27BP		Nut, 4BA	QR	—	EC1/67
A31B16		Screw, 4BA	1	—	EC1/68
SP47B		Washer, spring	1	—	EC1/69
5L/9953294		FILAMENT, 28V, 12W	2	—	EC1/70
EA1.81.91/1		LIGHT TAIL, UPPER, ASSEMBLY Spares for:	1	—	EC1/71
Z22430		GROMMET, Helsyn No.2	1	—	EC1/72
EA1.81.978		LAMP, ASSEMBLY (LESS CABLE) Spares for:	1	—	EC1/73
EA1.81.332		DOME, lamp, protecting, 1/8" thick Attaching parts for EA1.81.332:	1	Perspex	EC1/74
AGS2001A1		Nut, stiff, 6BA	2	—	EC1/75
A33A10		Screw, csk. head, 6BA	2	—	EC1/76
R E & I 7733		LAMP, navigation, type B, port	1	—	EC1/77
R EA1.81.331		SCREEN, cap, dome navigating, 2" dia	1	DTD683	EC1/78
R H15		SLEEVE, 1" x 1/2"	4	—	EC1/79
R H30		SLEEVE, 2" x 3/4"	2	—	EC1/80
		Attaching parts for EA1.81.91/1:			
A27AP		Nut, 6BA	4	—	EC1/81
SP47A		Washer, spring, 6BA	4	—	EC1/82
EA1.81.92/1		LIGHT, TAIL, LOWER, ASSEMBLY Spares for:	1	—	EC1/83
EA1.81.978		LAMP, ASSEMBLY (LESS CABLE) Spares for:	1	—	EC1/84
EA1.81.332		DOME, lamp protecting, 1/8" thick Attaching parts for EA1.81.332:	1	Perspex	EC1/85
AGS2001A1		Nut, stiff, 6BA	2	—	EC1/86
A33A10		Screw, csk. head, 6BA	2	—	EC1/87
R E & I 7733		LAMP, navigation, type B, port	1	—	EC1/88
R EA1.81.331		SCREEN, cap, dome, navigating, 2" dia	1	DTD683	EC1/89
R H15		SLEEVE, 1" x 1/2"	4	—	EC1/90
R H30		SLEEVE, 2" x 3/4"	2	—	EC1/91
		Attaching parts for EA1.81.92/1:			
A27AP		Nut, 6BA	4	—	EC1/92
SP47A		Washer, spring	4	—	EC1/93
EFU23952		LIGHT, ANTI-COLLISION, RED, LOWER, AT FRAMES 33-34, INSTALLATION (C/MOD/CAN/0267/FC) (MOD.5180)	—	—	EC2/9
EFU23951		LIGHT, ANTI-COLLISION, RED, UPPER, AT FRAMES 32-33, INSTALLATION (C/MOD/CAN/0267/FC) (MOD.5180) Spares for:	—	—	EC2/10
—		ANGLE, 0.75" x 0.75" x 8.25" long x 18 SWG	1	L72	EC2/11
AS3180/5B		CLIPS, cable, at frames 33 and 34 Attaching parts for AS3180/5B:	10	—	EC2/12
AGS2001B1		Nut, stiff, 4BA	1	—	EC2/13
A44B16		Screw, 4BA	1	—	EC2/14
SP25B		Washer	1	—	EC2/15

## ELECTRICAL

## ELECTRICAL EQUIPMENT IN REAR FUSELAGE

Part Number	Description	No. Off	Matl. Spec.	Plate No.
R 105L/5641084	. . FILAMENT, 28V, 40W	2	—	EC2/16
CFU24775	. . GUARD, lower light	1	—	EC2/17
A25/1C	. . Attaching parts for CFU24775: . . Bolt, 2BA	4	—	EC2/18
Z4018	. . GROMMET, at frame 34 and JB6	3	—	EC2/19
Z22432	. . GROMMET, at bomb bay bulkhead and JB6	2	—	EC2/20
GRIMES				
G8400/8/24	. . LAMP, anti-collision (supplied with attaching parts)	1	—	EC2/21
703-2-00251	. . LINK, connecting	2	—	EC2/22
703-2-00252	. . LINK, connecting	2	—	EC2/23
CFU23967	. . PLATE, reinforcing, lower	1	—	EC2/24
CFU23964	. . PLATE, reinforcing, upper	1	—	EC2/25
CFU23953/2	. . RING, mounting, lower	1	—	EC2/26
CFU23953/1	. . RING, mounting, upper	1	—	EC2/27
3/108E10SL35	. . SOCKET	2	—	EC2/28
HC304J	. . TAG	QR	—	
HC500	. . TAG, QR	QR	—	
HC1189	. . TAG, cranked	QR	—	
EA1.81.307	. LOOMS, CABLE, ASSEMBLY (PRE MOD.5204) Consisting of:	—	—	
EA1.81.811/2	. . CABLE, ASSEMBLY, 6A, from JB6 to tailplane position transmitter (Pre Mods.5091 and 5204)	1	—	
EA1.81.1209	. . CABLE, ASSEMBLY, 6A, from JB6 to tailplane position transmitter (Mods.5091 and 5204)	1	—	
EA1.81.809/1	. . CABLE, ASSEMBLY, 6B, from JB6 to tailplane limit switches (Pre Mod.5204)	1	—	
EA1.81.810/1	. . CABLE, ASSEMBLY, 6C, from JB6 to tailplane limit switches (Pre Mod.5204)	1	—	
EA2.81.1063	. . CABLE, ASSEMBLY, 6D, from JB6 to rudder trim actuator (Pre Mods.3428 and 5091)	1	—	
EA2.81.1441	. . CABLE, ASSEMBLY, N102K1, from JB6 to rudder trim actuator (Mod.3428 - S.O.O.) (Pre Mod.5091)	1	—	
EA2.81.5957	. . CABLE, ASSEMBLY, N102K1, from JB6 to rudder trim actuator (Mod.3428 - S.O.O.) (Mod.5091)	1	—	
EA2.81.5953	. . CABLE, ASSEMBLY, 6D, from JB6 to rudder trim actuator (Mod.5091)	1	—	
EA2.81.5955	. . CABLE, ASSEMBLY, 6F, from JB6 to rudder trim position transmitter (Alt. R60/65 - Mod.5097) (Mod.5204)	1	—	
EA1.81.806/1	. . CABLE, ASSEMBLY, 6G, from JB6 to tail navigation lights terminal board	1	—	
EA3.81.6197	. . CABLE, ASSEMBLY, E6, from JB6 to earth (Alt. R60/65 - Mod.5097) (Mod.5097)	1	—	
EA1.81.813/1	. . CABLE, ASSEMBLY, E33, from tailplane actuator to earth (Pre Mod.5204)	1	—	

## ELECTRICAL

## ELECTRICAL EQUIPMENT IN REAR FUSELAGE

Part Number	Description	No. Off	Matl. Spec.	Plate No.
EA1.81.801/2	. . CABLE, ASSEMBLY, T6, from bomb bay bulkhead frame 29, to JB6	1	—	
EA1.81.803/2	. . CABLE, ASSEMBLY, T33, from bomb bay bulkhead frame 29 to tailplane actuator (Pre Mod.5204)	1	—	
EH8.81.739	. . CABLE, ASSEMBLY, T33, from bomb bay bulkhead frame 29 to tailplane actuator (Mod.5204)	1	—	
EH8.81.741	. . CABLE, ASSEMBLY, T33A, from isolating relay to reversing relay (Mod.5204)	1	—	
EA3.81.3169/2	. . CABLE, ASSEMBLY, T33M, from isolating and reversing relays to tailplane actuator (Mod.5204)	1	—	
EA1.81.42	. MOUNTING JUNCTION BOX Consisting of:	1	—	
EA1.81.489	. . CHANNEL	1	—	EC1/94
EA1.81.490	. . CHANNEL Attaching parts for EA1.81.489 and EA1.81.490:	1	—	EC1/95
A25/1C	. . Bolt, 2BA	2	—	EC1/96
AGS2001C1/66	. . Nut, stiff, 2BA	2	—	EC1/97
SP13C	. . Washer, 2BA	2	—	EC1/98
EA3.81.2825	. RELAY, TYPE T100B, INSTALLATION Spares for:	1	—	EC2/29
EA3.81.2827	. . BRACKET, assembly	1	—	EC2/30
EA3.81.2829	. . BRACKET	1	—	EC2/31
EA3.81.2831	. . BRACKET	1	—	EC2/32
THORN T100B	. . RELAY, type T100B Attaching parts for T100B:	1	—	EC2/33
A31B32	. . Screw, 4BA	4	—	EC2/34
EEAS42	. . Washer, leather	4	—	EC2/35
EA1.81.431	. STRAP, cable, c/w buckle Attaching parts for EA1.81.431:	11	Webbing	EC2/36
AS1248/1/B	. Bolt, mush. head, 4BA	1	—	EC2/37
AGS2001B1	. Nut, stiff, 4BA	1	—	EC2/38
EEAS73	. Plate, clamp	1	L72	EC2/39
HONEYWELL 1HY1	. . SWITCH, micro tailplane limit (Pre Mod.4449)	2	—	
DOWTY DN1322Z	. . SWITCH, micro, tailplane limit, Mk.2 (Mod.4449 — S.O.O.)	2	—	
or DOWTY DN1322Z	. SWITCH, micro, tailplane limit, Mk.3 (Mod.4449 — S.O.O.) Attaching parts for 1HY1, DN1322Z Mk.2 or DN1322Z Mk.3:	2	—	EC2/40
A25/8B	. Bolt, 4BA	2	—	EC2/41
AGS2001B1	. Nut, 4BA	2	—	EC2/42
R —	WIRING TAIL TRIM CONTROL (EA3.81.2839) Spares for:-	—	—	—
R EA2.81.1239	. . CABLE, assembly N102	1	—	

## ELECTRICAL EQUIPMENT IN REAR FUSELAGE

Part Number	Description						No. Off	Matl. Spec.	Plate No.
	1	2	3	4	5	6			
R -	EARTH POINTS (EA3.81.8087) (SAS 4753)						-	-	
	Consisting of:-								
R -	. EARTH POINT E6						-	-	
	Consisting of:-								
R AGS2001C4	. . NUT, stiff, 2BA						1	-	
R A54C	. . NUT, 2BA						1	-	
R A43C40	. . SCREW, 2BA						1	-	
R SP25C	. . WASHER, 2BA						1	-	
R SP124D	. . WASHER, 2BA						1	-	
R -	. EARTH POINT E33						-	-	
	Consisting of:-								
R AGS2001E1	. . NUT, stiff, 1/4" BSF						1	-	
R EA3.81.6239	. . STUD, earth						1	-	
R AN960C416L	. . WASHER, 1/4"						1	-	

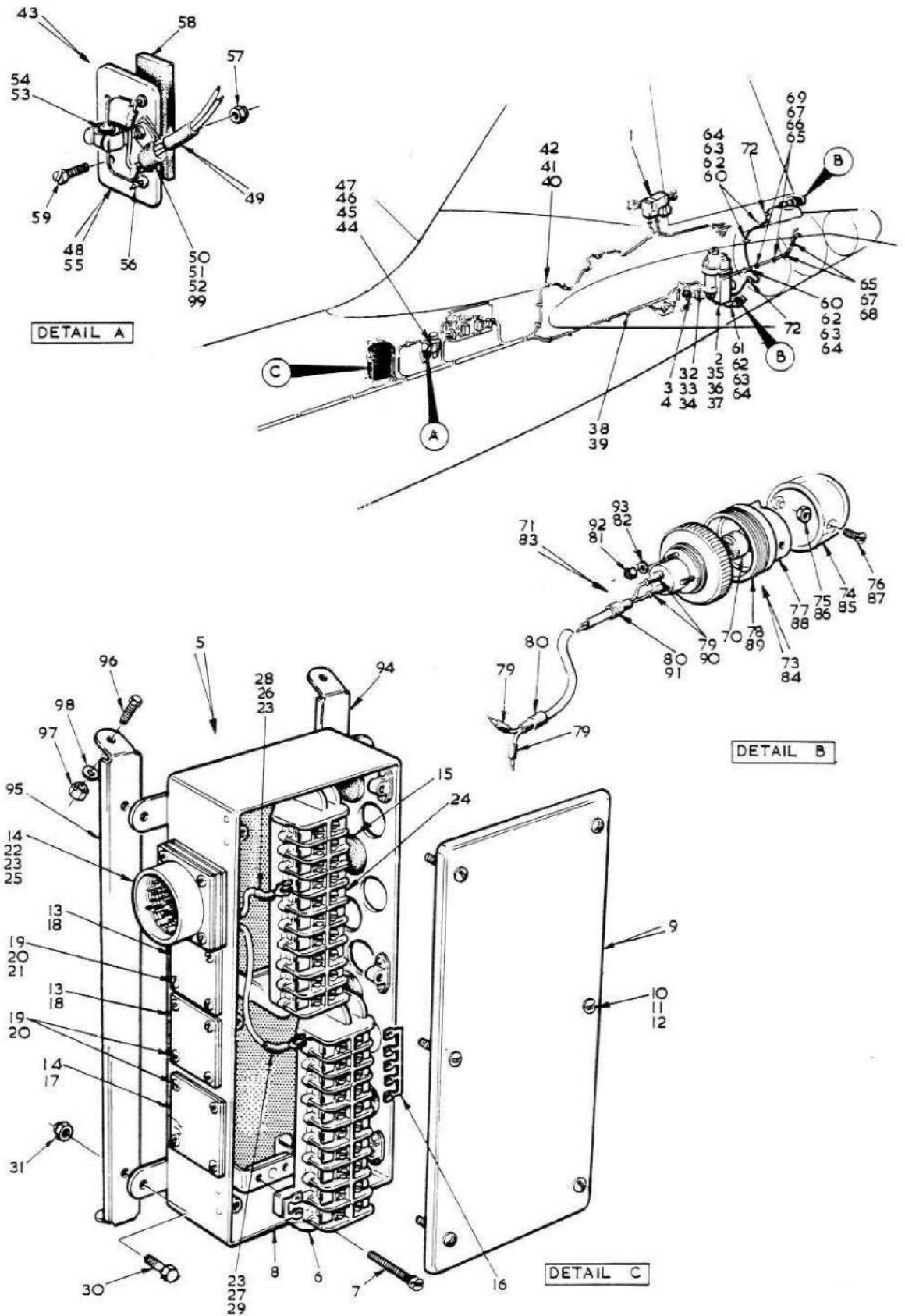
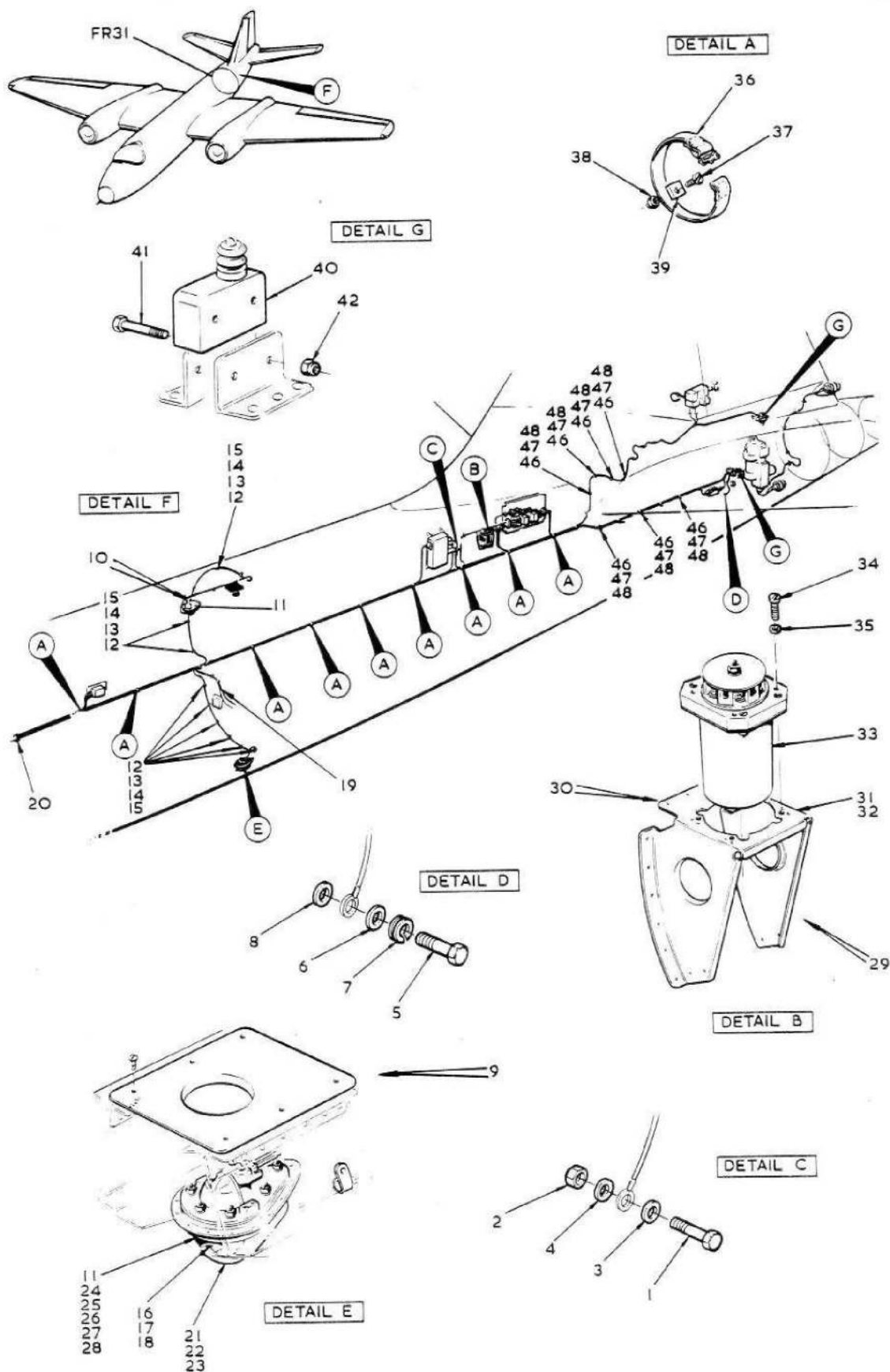


FIG. 1 ELECTRICAL EQUIPMENT IN REAR FUSELAGE



**FIG.2 ELECTRICAL EQUIPMENT IN REAR FUSELAGE**

CODE R

SECT. EC



This file was downloaded from the RTFM Library.

Link: [www.scottbouch.com/rtfm](http://www.scottbouch.com/rtfm)

Please see site for usage terms, and more aircraft documents.

