

AP101B-0402-3A

FUSELAGE

Page KA.1

CENTRE FUSELAGE

Part Number	Description	No. Off	Matl. Spec.	Plate No.	
					1
EA3.00.43	CENTRE FUSELAGE, ASSEMBLY	-	-		
	Spares for:				
EA3.75.5	. CABIN, PRESSURE SYSTEM (See Sect. SB)	-	-		
EA3.45.379	. CONTROLS, FLYING (See Sect. DB)	-	-		
EA1.47.125	. CONTROLS, ENGINE (See Sect. CA)	-	-		
EA3.81.7	. ELECTRICAL EQUIPMENT (See Sect. EA)	-	-		
EA1.60.1	. FIRE, PROTECTION, SYSTEM (See Sect. SF)	-	-		
EA3.57.67	. FUEL, SYSTEM (MOD.648) (See Sect. SG)	-	-		
EA1.45.923	. GEAR, EMERGENCY RELEASE, BOMB DOORS AND UNDERCARRIAGE, ASSEMBLY	1	-	KA1/1	
	Spares for:				
EA3.45.283	. . CABLE, AFT, CONTROL, EMERGENCY RELEASE GEAR, BOMB DOOR, ASSEMBLY	1	-	KA2/1	
	Spares for:				
EA1.45.1129	. . . ROLLER, special	1	S1	KA1/2	
SP8Y13	. . . ROLLER	1	-	KA2/2	
W9/4P	. . . ROPE, wire, 5 cwt	1	W9/4	KA2/3	
EA3.45.281	. . CABLE, AFT, CONTROL, EMERGENCY RELEASE GEAR, UNDERCARRIAGE, ASSEMBLY	1	-	KA2/4	
	Spares for:				
SP8Y13	. . . ROLLER	2	-	KA1/3	
EA1.45.905	. . . TUBE, 5/16" o/d x 20 SWG	1	T4	KA2/5	
W9/4P	. . . ROPE, wire, 5 cwt.	1	W9/4	KA2/6	
EA1.45.1211	. . . CLEAT, fairlead attachment	2	-	KA1/4	
	Attaching parts for EA1.45.1211:				
AGS2001B1	. . Nut, 4BA	1	-	KA1/5	
A31B12	. . Screw, 4BA	1	-	KA1/6	
SP15B	. . Washer, 4BA	1	-	KA1/7	
AGS899/1	. . COLLAR	2	-	KA2/7	
EA3.45.245	. . FAIRLEAD, single	1	DTD683	KA2/8	
	Attaching parts for EA3.45.245:				
AS1242/5B	. . Bolt, 4BA	2	-	KA2/9	
AGS2001B1	. . Nut, 4BA	2	-	KA2/10	
SP15B	. . Washer, 4BA	2	-	KA2/11	
EA1.45.1123	. . FAIRLEAD, double	1	LFS21	KA1/8	
	Attaching parts for EA1.45.1123:				
A25/5B	. . Bolt, 4BA	2	-	KA1/9	
AGS2001B1	. . Nut, 4BA	2	-	KA1/10	
SP15B	. . Washer, 4BA	2	-	KA1/11	
EA1.45.879	. . FAIRLEAD, single	1	LFS21	KA2/12	
	Attaching parts for EA1.45.879:				
A25/5C	. . Bolt, 2BA	2	-	KA2/13	
AGS2001C1/66	. . Nut, 2BA	2	-	KA2/14	
SP3Y412	. . FORK, joint	1	-	KA1/12	
SP3Y412L	. . FORK, joint	1	-	KA1/13	
SP3Y413	. . FORK, joint	1	-	KA1/14	
SP3Y413L	. . FORK, joint	1	-	KA1/15	
SP4Y/A3	. . PIN	2	-	KA1/16	
SP4Y/A4	. . PIN	2	-	KA2/15	
SP4Y/B4	. . PIN	2	-	KA1/17	
SP90C6	. . PIN, split	6	-	KA1/17A	

FUSELAGE
CENTRE FUSELAGE

Part Number	Description	No. Off	Matl. Spec.	Plate No.
EA1.45.859	PULLEYS, BOMB DOOR AND UNDERCARRIAGE EMERGENCY RELEASE GEAR, ASSEMBLY Spares for:	—	—	KA1/18
EA1.45.839	BRACKET, pulley	1	—	KA2/16
EA1.45.841	BRACKET, half, top, pulley	1	L72	KA1/19
EA1.45.843	BRACKET, half, bottom, pulley Attaching parts for EA1.45.841 and EA1.45.843:	1	L72	KA1/20
A25/1C	Bolt, 2BA	3	—	KA1/21
AGS2001C1/66	Nut, 2BA	3	—	KA1/22
SP15C	Washer, 2BA	3	—	KA1/23
EA1.45.1005	BRACKET, pulley	1	—	KA2/17
EA1.45.863	FAIRLEAD Attaching parts for EA1.45.863:	1	LFS21	KA2/18
A25/9C	Bolt, 2BA	2	—	KA2/19
AGS2001C1/66	Nut, 2BA	2	—	KA2/20
AS108	PULLEY, c/w shroud Attaching parts for AS108:	2	—	KA1/24
A25/11E	Bolt, ¼" BSF	QR	—	KA1/25
A25/20E	Bolt, ¼" BSF	QR	—	KA1/26
AGS2001E1/66	Nut, ¼" BSF	1	—	KA1/27
EA1.45.837	Packing	QR	—	KA1/28
SP15E	Washer, ¼"	1	—	KA1/29
AS1151	PULLEY, c/w shroud Attaching parts for AS1151:	4	—	KA2/21
A25/12E	Bolt, ¼" BSF	QR	—	KA2/22
A25/13E	Bolt, ¼" BSF	QR	—	KA2/23
A25/17E	Bolt, ¼" BSF	QR	—	KA2/24
AGS2001E1/66	Nut, ¼" BSF	1	—	KA2/25
EA1.45.835	Packing	1	—	KA2/26
EA1.45.845	Packing	1	—	KA2/27
EEAS28/53HR	Washer	1	—	KA2/28
EA1.45.1311	Washer, special	1	—	KA2/29
EA1.45.1015	Washer, wedge	1	—	KA2/30
SP15E	Washer, ¼"	1	—	KA2/31
SP16E	Washer, ¼"	1	—	KA2/32
EA1.45.1127	RETAINER, cable Attaching parts for EA1.45.1127:	2	—	KA1/30
AGS2002B1	Nut, 4BA	1	—	KA1/31
A31B12	Screw, 4BA	1	—	KA1/32
SP8Y1	ROD, tension	1	—	KA1/33
SP8Y2	ROD, tension	1	—	KA1/34
EA3.73.215	HYDRAULIC EQUIPMENT (See Sect. SH)	—	—	
EA3.82.15	INSTALLATION OF EXTERNAL INTER-COMM. CONNECTOR (See Sect. RD)	—	—	
EA3.56.453	INSTALLATION OF 300-GALLON FUEL TANK, AFT POSITION (MOD.432 – S.O.O.) (See Sect. UB)	—	—	
EA3.57.5041	INSTALLATION OF 300-GALLON FUEL TANK; FORWARD POSITION (MOD.3757 – S.O.O.) (See Sect. UB)	—	—	
EA3.57.483	MODIFIED FUEL AND VENT, AND HYDRAULIC SYSTEMS FOR AUXILIARY FUEL TANK (MOD.1490 – S.O.O.) (See Sect. SG)	—	—	
R EA1.11.1	STRUCTURE, CENTRE FUSELAGE, ASSEMBLY (See page KA.3)	—	—	

CENTRE FUSELAGE STRUCTURE

Part Number	Description	No. Off	Matl. Spec.	Plate No.
EA1.11.1	STRUCTURE, CENTRE FUSELAGE, ASSEMBLY	—	—	
	Spares for:			
EA3.11.655	. BOLT, special	10	—	KA3/1
EA3.11.677	. BOLT, special	10	—	KA3/2
EA1.11.1603	. BOLT, special, bulkhead attachment at frame 17	2	S11	KA3/3
EA1.11.1605	. BOLT, special, bulkhead attachment at frame 17	2	S11	KA3/4
EB6.11.2403/4	. BRACKET, WING PICK-UP AT FRAME 17 INSTALLATION (MOD.3156)	—	—	
	Spares for:			
EB6.11.2405	. . BRACKET, wing pick-up, port (Mod.3156) (Pre Mod.3522)	1	—	KA3/5
or				
EB6.11.5025	. . BRACKET, wing pick-up, port (Mod.3156) (Pre Mod.3522)	1	S95 or S96	
or				
EB6.11.5029	. . BRACKET, wing pick-up, port (Mod.3156) (Pre Mod.3522)	1	—	
EB6.11.5131	. . BRACKET, wing pick-up, port (Mod.3522)	1	—	
or				
EB6.11.5129	. . BRACKET, wing pick-up, port (Mod.3522)	1	—	
or				
EB6.11.5127	. . BRACKET, wing pick-up, port (Mod.3522)	1	—	
EB6.11.2406	. . BRACKET, wing pick-up, starboard (Mod.3156) (Pre Mod.3522)	1	—	
or				
EB6.11.5026	. . BRACKET, wing pick-up, starboard (Mod.3156) (Pre Mod.3522)	1	S95 or S96	
or				
EB6.11.5030	. . BRACKET, wing pick-up, starboard (Mod.3156) (Pre Mod.3522)	1	—	
or				
EB6.11.5132	. . BRACKET, wing pick-up, starboard (Mod.3522)	1	—	
or				
EB6.11.5130	. . BRACKET, wing pick-up, starboard (Mod.3522)	1	—	
or				
EB6.11.5128	. . BRACKET, wing pick-up, starboard (Mod.3522)	1	—	
	Attaching parts for wing pick-up bracket:			
A25/6C	. . Bolt, 2BA	12	—	KA3/6
A25/7C	. . Bolt, 2BA	7	—	KA3/7
AS1242/5C	. . Bolt, 2BA	8	—	KA3/8
AS1242/6C	. . Bolt, 2BA	7	—	KA3/9
AS1242/7C	. . Bolt, 2BA	3	—	KA3/10
A25/8E	. . Bolt, ¼" BSF	2	—	KA3/11
A25/11J	. . Bolt, 3/8" BSF	1	—	KA3/12
A25/13J	. . Bolt, 3/8" BSF	1	—	KA3/13
AGS2001C1/66	. . Nut, 2BA	21	—	KA3/14
A27CP	. . Nut, 2BA	15	—	KA3/15
A27EP	. . Nut, ¼" BSF	2	—	KA3/16
A27JP	. . Nut, 3/8" BSF	2	—	KA3/17
SP15C	. . Washer, 2BA	18	—	KA3/5A
SP15E	. . Washer, ¼" BSF	2	—	KA3/16A
EB6.11.2407	. . CLEAT, fuselage to wing pick-up bracket at stringer 11, port aft, starboard fwd. (Mod.3156)	2	—	KA3/18
EB6.11.2408	. . CLEAT, fuselage to wing pick-up bracket at stringer 11, port fwd, starboard aft. (Mod.3156)	2	—	KA3/19
	Attaching parts for EB6.11.2407 and EB6.11.2408:			
A25/8C	. . Bolt, 2BA	6	—	KA3/20
A27CP	. . Nut, 2BA	6	—	KA3/21
SP16C	. . Washer, 2BA	6	—	KA3/21A
EB6.11.2341	. . PANEL, access, port, 14 SWG (Mod.3156)	1	L72	KA3/22
EB6.11.2342	. . PANEL, access, starboard, 14 SWG (Mod.3156)	1	L72	
	Attaching parts for EB6.11.2341 and EB6.11.2342:			
A25/2C	. . Bolt, 2BA	81	—	KA3/23
SP15C	. . Washer, 2BA	81	—	KA3/23A

R

R

R

R

R

FUSELAGE
CENTRE FUSELAGE STRUCTURE

Part Number	Description	No. Off	Matl. Spec.	Plate No.
EA3.11.15	. BULKHEAD, rear fuel tank (Mod 55)	1	—	
EA1.11.3551	. BULKHEAD, fuel tank at frame 17 (Mod 648)	1	—	
R AGS899-15	. COLLAR, retaining	2	—	KA7/15A
AGS899-18	. COLLAR, retaining	2	—	KA3/28
R AGS899-19	. COLLAR, retaining	2	—	KA7/18A
AGS899-12	. COLLAR, special	2	—	KA3/30
EA1.11.1097	. DOOR, BOMB, PORT, ASSEMBLY Spares for:—	1	—	
R EA1.11.1231	. . . BOLT, eye	2	—	KA4/1
EA1.11.823	. . . BRACKET, DOOR, ROLLER GUIDE Spares for:—	1	—	KA4/4
EA1.11.837 ROLLER Attaching parts for EA1.11.837:—	1	L40	KA4/6
EA1.11.1615 Bolt, special c/w lubricating nipple	1	—	KA4/5
A27GT Nut, 5-16" BSF	1	—	KA4/5A
EA1.11.1617 Tube, 1-2" o/d x 1.04" x 20 SWG	1	T45	KA4/7
SP15G Washer, 5-16"	1	—	KA4/5B
R A25-5E Attaching parts for EA1.11.823:— Bolt, 1-4" BSF	2	—	KA4/2
R EA1.11.1573 Bolt, special	2	—	KA4/2A
EA1.11.825	. . . BRACKET, DOOR, ROLLER GUIDE Spares for:—	1	—	KA4/8
EA1.11.837 ROLLER Attaching parts for EA1.11.837:—	1	L40	KA4/6
EA1.11.1615 Bolt, special c/w lubricating nipple	1	—	KA4/5
A27GT Nut, 5-16" BSF	1	—	KA4/5A
EA1.11.1617 Tube, 1-2" o/d x 1.04" x 20 SWG	1	T45	KA4/7
SP15G Washer, 5-16"	1	—	KA4/5B
R A25-5E Attaching parts for EA1.11.825:— Bolt, 1-4" BSF	2	—	KA4/2
R EA1.11.1573 Bolt, special	2	—	KA4/2A
EA1.11.827	. . . BRACKET, DOOR, ROLLER GUIDE Spares for:—	1	—	KA4/9
EA1.11.837 ROLLER Attaching parts for EA1.11.837:—	1	L40	KA4/6
EA1.11.1615 Bolt, special c/w lubricating nipple	1	—	KA4/5
A27GT Nut, 5-16" BSF	1	—	KA4/5A
EA1.11.1617 Tube, 1-2" o/d x 1.04" x 20 SWG	1	T45	KA4/7
SP15G Washer, 5-16"	1	—	KA4/5B
R A25-5E Attaching parts for EA1.11.827:— Bolt, 1-4" BSF	2	—	KA4/2
R EA1.11.1573 Bolt, special	2	—	KA4/2A
EA1.11.829	. . . BRACKET, DOOR, ROLLER GUIDE Spares for:—	1	—	KA4/10
EA1.11.837 ROLLER Attaching parts for EA1.11.837:—	1	L40	KA4/6
EA1.11.1615 Bolt, special c/w lubricating nipple	1	—	KA4/5
A27GT Nut, 5-16" BSF	1	—	KA4/5A
EA1.11.1617 Tube, 1-2" o/d x 1.04" x 20 SWG	1	T45	KA4/7
SP15G Washer, 5-16"	1	—	KA4/5B
R A25-5E Attaching parts for EA1.11.829:— Bolt, 1-4" BSF	4	—	KA4/2
EA1.11.831	. . . BRACKET, DOOR, ROLLER GUIDE Spares for:—	1	—	KA4/11
EA1.11.837 ROLLER Attaching parts for EA1.11.837:—	1	L40	KA4/6
EA1.11.1615 Bolt, special c/w lubricating nipple	1	—	KA4/5
A27GT Nut, 5-16" BSF	1	—	KA4/5A
EA1.11.1617 Tube, 1-2" o/d x 1.04" x 20 SWG	1	T45	KA4/7
SP15G Washer, 5-16"	1	—	KA4/5B
R A25-5E Attaching parts for EA1.11.831:— Bolt, 1-4" BSF	4	—	KA4/2

AP101B-0402-3A

FUSELAGE

Page KA.5

CENTRE FUSELAGE STRUCTURE

Part Number	Description	No. Off	Mati. Spec.	Plate No.
EA1.11.833	BRACKET, DOOR, ROLLER GUIDE Spares for:	1	—	KA4/12
EA1.11.837	ROLLER Attaching parts for EA1.11.837:	1	L40	KA4/6
EA1.11.1615	Bolt, special c/w lubricating nipple	1	—	KA4/5
A27GT	Nut, 5/16" BSF	1	—	KA4/5A
EA1.11.1617	Tube, 1/2" o/d x 1.04" x 20 SWG	1	T45	KA4/7
SP15G	Washer, 5/16"	1	—	KA4/5B
	Attaching parts for EA1.11.833			
A25/5E	Bolt, 1/4" BSF	4	—	KA4/2
EA1.11.845	BRACKET, ROLLER, MOUNTING BOMB DOOR CENTRE TRACK, PORT Spares for:	1	—	KA4/13
EA1.11.847	ROLLER, locating Attaching parts for EA1.11.847:	1	BSS369	KA4/17
AS1242/30E	Bolt, 1/4" BSF	1	—	KA4/20
A27EP	Nut, 1/4" BSF	1	—	KA4/20C
EA1.11.853	Pin, special	1	S11	KA4/15
SP18E	Washer, 1/4"	1	—	KA4/20B
EA1.11.857	Washer, special	1	DTD124	KA4/20A
EA1.11.849	ROLLER, main Attaching parts for EA1.11.849:	1	BSS369	KA4/18
EA1.11.855	Pin, special locating inboard roller	1	S11	KA4/16
EA1.11.1365	ROLLER, main Attaching parts for EA1.11.1365:	1	BSS369	KA4/19
A27EP	Nut, 1/4" BSF	1	—	KA4/14B
EA1.11.851	Pin, special	1	S11	KA4/14
SP13E	Washer, 1/4"	2	—	KA4/14A
EA1.11.1367	Washer, special	1	S11	LA4/21
	Attaching parts for EA1.11.845:			
A25/6E	Bolt	1	—	KA4/45
A25/10J	Bolt	1	—	KA4/43
AGS2001J1	Nut, 3/8" BSF	1	—	KA4/42A
AGS162D	Washer	1	—	KA4/46
AGS162F	Washer	1	—	KA4/44
EA1.11.1177	CONNECTION, main hinge stay	1	L40	KA4/22
EA1.11.1179	CONNECTION, main hinge stay	1	DTD683	KA4/23
EA1.11.1441	FLAP, roller	1	—	KA4/24
EA1.11.2563	FLAP, hinged	1	—	KA4/25
EA1.11.933	HINGE, BOMB DOOR, MAIN BRACKET REAR END ASSEMBLY Spares for:	1	—	KA4/26
EA1.11.927	BEARING, journal	1	DTD197	KA4/27
EA1.11.929	BEARING, journal	1	DTD197	KA4/28
EA1.11.1467	BRACKET Attaching parts for EA1.11.1467:	1	L40	KA4/29
A25/1C	Bolt, 2BA	2	—	KA4/29A
SP47C	Washer	2	—	KA4/29B

Page KA.6		FUSELAGE				AP101B-0402-3A			
CENTRE FUSELAGE STRUCTURE									
Part Number	Description						No. Off	Matl. Spec.	Plate No.
	1	2	3	4	5	6			
EA1.11.1673	BUSH	1	-	KA4/28A	
EA1.11.1677	BUSH	1	-	KA4/27A	
A25/7J	Attaching parts for EA1.11.933: Bolt, 3/8" BSF	2	-	KA4/26A	
A25/7L	Bolt, 7/16" BSF	2	-	KA4/26B	
A254E	Bolt, 1/4" BSF	6	-	KA4/26C	
EA1.11.935	HINGE, BOMB DOOR MAIN BRACKET FORWARD END, ASSEMBLY (Supplied to Part No.EA3.00.1001 for spares purposes) Spares for:	1	-	KA4/30	
EA1.11.929	BEARING, journal	1	DTD197	KA4/31	
EA1.11.931	BEARING, journal	1	DTD197	KA4/32	
R EA1.11.1468	BRACKET Attaching parts for EA1.11.1468:	1	L40	KA4/33	
R A25/3C	Bolt, 2BA	2	-	KA4/33A	
R A27/CP	Nut, 2BA	2	-	KA4/33B	
EA1.11.1675	BUSH	1	-	KA4/31A	
EA1.11.1678	BUSH	1	-	KA4/32A	
EA1.11.1601	Attaching parts for EA1.11.935: Bolt, special	2	S11	KA4/3	
R A25/4C	Bolt, 2BA	6	-	KA4/3A	
A25/6G	Bolt, 5/16" BSF	2	-	KA4/3B	
EA1.11.1607	HINGE, flap roller clearance (Make from AS1878/15)	1	-	KA4/34	
R A27CP	NUT, 1/4" BSF	2	-	KA4/1A	
R EA3.11.117	SEAL, 'P' (Make from EEAS123) (26FZ/4431) (Pre Mod.5282)	1	-	KA4/36	
R EA3.11.5191	SEAL, 'P' (Make from EEAS845) (26FZ/6147756) (Mod.5282)	1	-		
R EA3.11.119	SEAL, 'P' (Make from EEAS123) (26FZ/4431) (Pre Mod.5282)	1	-	KA4/37	
R EA3.11.5193	SEAL, 'P' (Make from EEAS845) (26FZ/6147756) (Mod.5282)	1	-		
R EA3.11.121	SEAL, 'P' (Make from EEAS123) (26FZ/4431) (Pre Mod.5282)	1	-	KA4/35	
R EA3.11.5195	SEAL, 'P' (Make from EEAS845) (26FZ/6147756)	1	-		
R EA1.11.2621	SHIM	1	-	KA4/27B	
R EA1.11.3197	SHIM	1	-	KA4/31B	
EA1.11.1309	SPRING, leaf, outboard	1	Spring steel	KA4/38	
EA1.11.1311	SPRING, leaf, inboard	1	Spring steel	KA4/39	
EA1.11.1205	STAY, main hinge support	1	-	KA4/40	
EA1.11.1207	STAY, main hinge support	1	-	KA4/41	
EA1.11.1327	STUD, securing roller bracket	1	S11	KA4/42	
EA1.11.1098	DOOR, BOMB, STARBOARD, ASSEMBLY Spares for:	1	-		
EA1.11.1231	BOLT, eye	2	-	KA5/1	
EA1.11.823	BRACKET, DOOR, ROLLER GUIDE Spares for:	1	-	KA5/4	
EA1.11.837	ROLLER Attaching parts for EA1.11.837:	1	L40	KA5/6	
EA1.11.1615	Bolt, special c/w lubricating nipple	1	-	KA5/5	
A27GT	Nut, 5/16" BSF	1	-	KA5/5A	
EA1.11.1617	Tube, 1/2" o/d x 1.04" x 20 SWG	1	T45	KA5/7	
SP15G	Washer, 5/16"	1	-	KA5/5B	
R A25/5E	Attaching parts for EA1.11.823: Bolt, 1/4" BSF	2	-	KA5/2A	
R EA1.11.1573	Bolt, special	2	-	KA5/2	

AP101B-0402-3A

FUSELAGE

Page KA.7

CENTRE FUSELAGE STRUCTURE

Part Number	Description	No. Off	Mati. Spec.	Plate No.
EA1.11.825	BRACKET, DOOR, ROLLER GUIDE Spares for:	1	—	KA5/8
EA1.11.837	ROLLER Attaching parts for EA1.11.837:	1	L40	KA5/6
EA1.11.1615	Bolt, special c/w lubricating nipple	1	—	KA5/5
A27GT	Nut, 5/16" BSF	1	—	KA5/5A
EA1.11.1617	Tube, 1/2" o/d x 1.04" x 20 SWG	1	T45	KA5/7
SP15G	Washer, 5/16"	1	—	KA5/5B
R A25/5E	Attaching parts for EA1.11.825: Bolt, 1/4" BSF	2	—	KA5/2A
R EA1.11.1573	Bolt, special	2	—	KA5/2
EA1.11.827	BRACKET, DOOR, ROLLER GUIDE Spares for:	1	—	KA5/9
EA1.11.837	ROLLER Attaching parts for EA1.11.837:	1	L40	KA5/6
EA1.11.1615	Bolt, special, c/w lubricating nipple	1	—	KA5/5
A27GT	Nut, 5/16" BSF	1	—	KA5/5A
EA1.11.1617	Tube, 1/2" o/d x 1.04" x 20 SWG	1	T45	KA5/7
SP15G	Washer, 5/16"	1	—	KA5/5B
R A25/5E	Attaching parts for EA1.11.827: Bolt, 1/4" BSF	2	—	KA5/2A
R EA1.11.1573	Bolt, special	2	—	KA5/2
EA1.11.829	BRACKET, DOOR, ROLLER GUIDE Spares for:	1	—	KA5/10
EA1.11.837	ROLLER Attaching parts for EA1.11.837:	1	L40	KA5/6
EA1.11.1615	Bolt, special, c/w lubricating nipple	1	—	KA5/5
A27GT	Nut, 5/16" BSF	1	—	KA5/5A
EA1.11.1617	Tube, 1/2" o/d x 1.04" x 20 SWG	1	T45	KA5/7
SP15G	Washer	1	—	KA5/5B
R A25/5E	Attaching parts for EA1.11.829: Bolt, 1/4" BSF	4	—	KA5/2A
EA1.11.831	BRACKET, DOOR, ROLLER GUIDE Spares for:	1	—	KA5/11
EA1.11.837	ROLLER Attaching parts for EA1.11.837:	1	L40	KA5/6
EA1.11.1615	Bolt, special, c/w lubricating nipple	1	—	KA5/5
A27GT	Nut, 5/16" BSF	1	—	KA5/5A
EA1.11.1617	Tube, 1/2" o/d x 1.04" x 20 SWG	1	T45	KA5/7
SP15G	Washer, 5/16"	1	—	KA5/5B
R A25/5E	Attaching parts for EA1.11.831: Bolt, 1/4" BSF	4	—	KA5/2A
EA1.11.833	BRACKET, DOOR ROLLER GUIDE Spares for:	1	—	KA5/12
EA1.11.837	ROLLER Attaching parts for EA1.11.837:	1	L40	KA5/6
EA1.11.1615	Bolt, special, c/w lubricating nipple	1	—	KA5/5
A27GT	Nut, 5/16" BSF	1	—	KA5/5A
EA1.11.1617	Tube, 1/2" o/d x 1.04" x 20 SWG	1	T45	KA5/7
SP15G	Washer, 5/16"	1	—	KA5/5B
R A25/5E	Attaching parts for EA1.11.833: Bolt, 1/4" BSF	4	—	KA5/2A

Page KA.8		FUSELAGE			AP101B-0402-3A				
CENTRE FUSELAGE STRUCTURE									
Part Number	Description						No. Off	Matl. Spec.	Plate No.
	1	2	3	4	5	6			
EA1.11.846	. . .	BRACKET, ROLLER, MOUNTING BOMB DOOR CENTRE TRACK, STARBOARD					1	—	KA5/3
EA1.11.847	. . .	Spares for: ROLLER, locating					1	BSS369	KA5/17
AS1242/30E	. . .	Attaching parts for EA1.11.847:					1	—	KA5/20
A27EP	. . .	Bolt, 1/4" BSF					1	—	KA5/20C
EA1.11.853	. . .	Nut, 1/4" BSF					1	—	KA5/15
SP18E	. . .	Pin, special main roller					1	—	KA5/20B
EA1.11.857	. . .	Washer, 1/4"					1	—	KA5/20A
EA1.11.849	. . .	Washer, special					1	DTD124	KA5/18
EA1.11.849	. . .	ROLLER, main					1	BSS369	KA5/18
EA1.11.855	. . .	Attaching parts for EA1.11.849:					1	S11	KA5/16
EA1.11.1365	. . .	Pin, special					1	BSS369	KA5/19
A27EP	. . .	ROLLER, main					1	—	KA5/14B
EA1.11.851	. . .	Attaching parts for EA1.11.1365:					1	—	KA5/14
SP13E	. . .	Nut, 1/4" BSF					2	—	KA5/14A
EA1.11.1367	. . .	Pin, special					1	S11	KA4/21
A25/6E	. . .	Washer, 1/4"					1	—	KA5/43
AGS2001J1	. . .	Attaching parts for EA1.11.846:					1	—	KA5/45
SP47D	. . .	Bolt					1	—	KA5/42A
SP47F	. . .	Bolt					1	—	KA5/44
EA1.11.1178	. . .	Nut, 3/8" BSF					1	—	KA5/46
EA1.11.1180	. . .	Washer					1	—	KA5/22
EA1.11.1441	. . .	Washer					1	L40	KA5/23
EA1.11.2563	. . .	Washer					1	—	KA5/24
EA1.11.934	. . .	CONNECTION, main hinge stay					1	—	KA5/25
EA1.11.927	. . .	CONNECTION, main hinge stay					1	DTD683	KA5/26
EA1.11.929	. . .	FLAP, roller					1	—	KA5/27
EA1.11.1468	. . .	FLAP, roller					1	—	KA5/28
A25/1C	. . .	HINGE, BOMB DOOR MAIN BRACKET REAR END, ASSEMBLY					1	—	KA5/29
SP47C	. . .	Spares for:					1	DTD197	KA5/27
EA1.11.1673	. . .	BEARING, journal					1	DTD197	KA5/28
EA1.11.1677	. . .	BEARING, journal					1	—	KA5/29
A25/7J	. . .	BRACKET					1	L40	KA5/29A
A25/7L	. . .	Attaching parts for EA1.11.1468:					2	—	KA5/29B
A25/4E	. . .	Bolt, 2BA					2	—	KA5/28A
	. . .	Washer, 2BA					1	—	KA5/27A
	. . .	BUSH					2	—	KA5/26A
	. . .	BUSH					2	—	KA5/26B
	. . .	Attaching parts for EA1.11.934:					6	—	KA5/26C
	. . .	Bolt, 3/8" BSF					2	—	
	. . .	Bolt, 7/16" BSF					2	—	
	. . .	Bolt, 1/4" BSF					6	—	

R

AP101B-0402-3A		FUSELAGE			Page KA.9
CENTRE FUSELAGE STRUCTURE					
Part Number	1 2 3 4 5 6	Description	No. Off	Mati. Spec.	Plate No.
EA1.11.936		HINGE, BOMB DOOR MAIN BRACKET FORWARD END, ASSEMBLY (Supplied to Part No.EA3.00.1002 for spares purposes) Spares for:	1	—	KA5/30
EA1 11 929		BEARING, journal	1	DTD197	KA5/31
EA1.11.931		BEARING, journal	1	DTD197	KA5/32
EA1.11.1467		BRACKET Attaching parts for EA1.11.1467:	1	L40	KA5/33
A25/3C		Bolt, 2BA	2	—	KA5/33A
A27/CP		Nut, 2BA	2	—	KA5/33B
EA1.11.1675		BUSH	1	—	KA5/31A
EA1.11.1678		BUSH	1	—	KA5/32A
EA1.11.1601		Attaching parts for EA1.11.936:			
A25/4C		Bolt, special	2	—	KA5/30A
A25/6G		Bolt, 2BA	6	—	KA5/30B
		Bolt, 5/16" BSF	2	—	KA5/30C
EA1.11.1607		HINGE, flap, roller clearance	1	—	KA5/34
A27CP		NUT, 1/2" BSF	2	—	KA5/1A
EA3.11.117		SEAL, 'P' (Make from EEAS123) (26FZ/4431) (Pre Mod.5282)	1	—	KA5/36
EA3.11.5191		SEAL, 'P' (Make from EEAS845) (26FZ/6147756) (Mod.5282)	1		
EA3.11.119		SEAL, 'P' (Make from EEAS123) (26FZ/4431) (Pre Mod.5282)	1		KA5/37
EA3.11.5193		SEAL, 'P' (Make from EEAS845) (26FZ/6147756) (Mod.5282)	1		
EA3.11.121		SEAL, 'P' (Make from EEAS123) (26FZ/4431) (Pre Mod.5282)	1		KA5/35
EA3.11.5195		SEAL, 'P' (Make from EEAS845) (26FZ/6147756)	1		
EA1.11.2621		SHIM	1	—	KA5/27B
EA1.11.3197		SHIM	1	—	KA5/32B
EA1.11.1309		SPRING, leaf	1	Spr. Steel	KA5/38
EA1.11.1311		SPRING, leaf	1	Spr. Steel	KA5/39
EA1.11.1205		STAY, main hinge support	1	—	KA5/40
EA1.11.1207		STAY, main hinge support	1	—	KA5/41
EA1.11.1327		STUD, securing roller bracket	1	S11	KA5/42
EA1.11.5		KEEL UNIT, ASSEMBLY Spares for:	—	—	
EA1.11.1007		BRACKET, hinge, u/c door mounting	2	—	KA6/1
EA1.11.1009		BRACKET, valve mounting, u/c door operating	1	—	KA6/2
EA1.11.1011		BRACKET, hinge, u/c door mounting, aft, port	1	L73	KA6/3
EA1.11.1012		BRACKET, hinge, u/c door mounting, aft, starboard	1	L73	
EA1.11.427		DOOR, ACCESS ACCUMULATOR COMPARTMENT, ASSEMBLY (Supplied to Part No.EA3.00.153 for spares purposes) Spares for:	1	—	
EA1.11.463		CLIP, door stay stowage	2	Spr. Steel	KA6/4
FAIREY FS.400A		FASTENER, door	3	—	KA6/5
EA1.11.2793		HINGE, door	1	—	KA6/6
EA1.11.2799		SEALING, door	1	—	KA6/7
EA1.11.429		STAY, SIDE DOOR, ASSEMBLY Spares for:	2	—	
EA1.11.441		BOLT, eye, special anchor, side stay	2	S1	KA6/8
EA1.11.445		FORK, stay, support	2	S1	KA6/9
EA1.11.2801		STRIP, attachment, sealing	2	L72	KA6/10
EA1.57.1319		FAIRLEAD, air pipes at frame 22	2	LFS21	KA6/11
EA1.57.1325		FAIRLEAD, fuel pipes	2	LFS21	

R

FUSELAGE

CENTRE FUSELAGE STRUCTURE

Part Number	Description	No. Off	Matl. Spec.	Plate No.
EA3.11.7	.. KEEL UNIT, STRUCTURE, ASSEMBLY (MOD.55) Spares for:	—	—	
EA1.11.317	... BEAM, bomb	1	—	KA6/12
EA1.11.1769	... BEAM, floor, between frames 14 and 15, port	1	—	
EA1.11.1777	... BEAM, floor, between frames 14 and 15, starboard	1	—	
EA1.11.3213	... BOLT, special, port only	2	MS	KA6/13
EA1.11.871	... BULKHEAD, REAR BOMB BAY Spares for:	1	—	
EA3.11.853	... DOOR, ACCESS, BOMB BAY INSPECTION, ASSEMBLY (Mod.1199) Spares for:	—	—	
EA3.11.859	... BRACKET, access door hinge, L.H.	1	DTD683	KA6/14
EA3.11.860	... BRACKET, access door hinge, R.H.	1	DTD683	KA6/15
EA3.11.855	... DOOR, ACCESS Spares for:	1	—	
AVDEL A411	... PIN, "pip" quick release	1	—	KA6/16
EA3.11.867	... RING, sealing	1	Neo-K-Tex	KA6/17
EA3.11.861	... SKIN, access door hinge	2	—	
EA3.11.17	... BULKHEAD, FRAME 13, BOMB BAY ASSEMBLY Spares for:	1	—	
EA1.11.867	... BRACKET, jack anchorage, bomb doors	1	L45	KA6/18
EA1.11.199	... FRAME, ACCUMULATOR DOOR Spares for:	1	—	
EA3.11.135	... BRACKET	1	L72	KA6/19
EA3.11.629	... GLASS, camera frame	1	—	KA6/20
EA1.11.547	... PLATE, cover, camera window	1	L73	KA6/21
EA1.11.537	... RING, reinforcing, camera opening	1	—	KA6/22
EA1.11.541	... RING, retaining, camera window	1	L72	KA6/23
EEAS1/2C	... SCREW, 2BA	24	HTS	KA6/24
EA1.11.673	... STRIP, retaining, identification lamp window	1	L72	KA6/25
EA1.11.865	... STRUT, support, bomb door track, frame 22	2	—	KA6/26
EA1.11.801	... TRACK, bomb door, main spar, port	1	—	KA6/27
EA1.11.802	... TRACK, bomb door, main spar, starboard	1	—	
EA1.11.869	... WINDOW, identification lamp	1	DTD339	KA6/28
EA1.11.3355	... PLUG, sealing	4	Sorbo Rubber	KA6/29
EEAS1/1C	... SCREW, 2BA	9	HTS	KA6/30
EEAS1/3½C	... SCREW, 2BA	92	HTS	KA6/31
R EA3.11.121	... SEAL, 'P' (Make from EEAS123) (26FZ/4431) (Pre Mod.5282)	2	—	KA6/34
R EA3.11.5195	... SEAL, 'P' (Make from EEAS845) (26FZ/6147756) (Mod.5282)	2	—	
R EA3.11.123	... SEAL, 'P' (Make from EEAS123) (26FZ/4431) (Pre Mod.5282)	1	—	KA6/32
R EA3.11.5197	... SEAL, 'P' (Make from EEAS845) (26FZ/6147756) (Mod.5282)	1	—	
R EA3.11.125	... SEAL, 'P' (Make from EEAS123) (26FZ/4431) (Pre Mod.5282)	1	—	KA6/33
R EA3.11.5199	... SEAL, 'P' (Make from EEAS845) (26FZ/6147756) (Mod.5282)	1	—	
EEAS27/34GR	... WASHER, 14 SWG	2	L72	KA6/35
EEAS27/46FR	... WASHER, 16 SWG	3	L72	KA6/36
EEAS27/61FR	... WASHER, 16 SWG	3	L72	KA6/37
EEAS28/4GR	... WASHER, 16 SWG	14	L72	KA6/38
EA1.11.817	... LINK, ACTUATING CONNECTION BETWEEN HYDRAULIC JACK AND BOMB DOOR HINGE BRACKET, REAR END ASSEMBLY Spares for:	2	—	
EA1.11.819	... FITTING, fork-end	1	DTD683	KA7/1
EA1.11.821	... FITTING, fork-end, adjustable	1	DTD683	KA7/2
EEAS37/15A	... NIPPLE, 4BA	8	S11	KA7/3
EA1.11.1083	... NUT, special, 7/8" BSF	1	S1	KA7/4
EA1.11.1081	... SLEEVE	1	DTD683	KA7/5
EEAS38/2A	... SPOKE, 4BA	8	S11	KA7/6

AP101B-0402-3A

FUSELAGE

Page KA.11

CENTRE FUSELAGE STRUCTURE

Part Number	Description	No. Off	Matl. Spec.	Plate No.
EA1.11.937	. LINK, connecting Attaching parts for EA1.11.937:	1	L40	KA7/7
EA1.11.1105	. Collar	1	DTD126A	KA7/23A
AGS899/12	. Collar	1	—	KA7/16A
SP4Y/R33	. Pin, clevis	1	—	KA7/23
EA1.11.1103	. Pin, clevis	1	S11	KA7/16
SP90G8	. Pin, split, 1/8" dia	1	—	KA7/24B
SP90H9	. Pin, split, 5/32" dia	1	—	KA7/16B
SP15Q	. Washer	2	—	KA7/23C
EA1.11.3261	. LINK, connecting Attaching parts for EA1.11.3261:	1	L40	KA7/8
EA1.11.1091	. Collar	1	—	KA7/24A
EA1.11.3245	. Collar	1	—	KA7/22A
EA1.11.1587	. Pin, clevis	1	—	KA7/24
SP4Y/R29	. Pin, clevis	1	—	KA7/22
SP90H9	. Pin, split	1	—	KA7/24B
SP90H12	. Pin split	1	—	KA7/22B
SP16Q	. Washer	2	—	KA7/22C
EA1.11.941	. LINK, ACTUATING CONNECTION BETWEEN HYDRAULIC JACK AND BOMB DOOR HINGE BRACKET FORWARD END, ASSEMBLY Spares for:	2	—	
EA1.11.943	. . FITTING, fork end	1	DTD683	KA7/9
EA1.11.945	. . FITTING, fork end, adjustable	1	DTD683	KA7/10
EEAS37/14A	. . NIPPLE, 4BA	16	S11	KA7/11
EA1.11.1079	. . SLEEVE	1	DTD683	KA7/12
EEAS38/2A	. . SPOKE, 4BA	8	S11	KA7/13
EA1.11.1087	. . PIN, special	1	S11	KA7/14
EA2.11.1301	. . PIN, special	2	S82	KA7/15
EA1.11.1107	. . PIN, special	1	S11	KA7/17
EA1.11.1109	. . PIN, special	2	S82	KA7/18
AVDEL				
S5260/916	. PIN, quick release (Mod.3274)	2	—	KA7/19
AVDEL				
A5260/1218	. PIN, quick release (Mod.3274)	2	—	KA7/20
AVDEL				
S5260/1640	. PIN, quick release (Mod.3274)	4	—	KA7/21
SP90/H9	. PIN, split	2	—	KA7/15B
SP90/K13	. PIN, split	2	—	KA7/18B
EA1.11.9	. ROOF UNIT, ASSEMBLY Spares for:	1	—	
EA3.11.1181	. . ACCESS TO VENT CONNECTIONS ON NO.3 FUEL TANK AT FRAME 22, ASSEMBLY Spares for:	—	—	
EA3.11.1149	. . . PANEL	1	L73	KA8/1
EEAS1/1½C	. . . SCREW, 2BA	28	S96	KA8/2
EEAS1/2½C	. . . SCREW, 2BA	4	S96	KA8/3
EEAS1/2½E	. . . SCREW, ¼" BSF	8	S96	KA8/4
EA1.11.3173	. . ANGLE, landing wing, port, centre	1	—	KA8/5
EA1.11.3174	. . ANGLE, landing wing, starboard, centre	1	—	
EA1.11.3175	. . ANGLE, landing wing, port, forward	1	L72	KA8/6
EA1.11.3176	. . ANGLE, landing wing, starboard, forward	1	L72	

CENTRE FUSELAGE STRUCTURE

Part Number	Description	No. Off	Mati. Spec.	Plate No.
EA1.11.3323	. . BRACKET, attachment, wing to fuselage, port	1	S96	KA8/7
EA1.11.3324	. . BRACKET, attachment, wing to fuselage, starboard	1	S96	
EA1.11.1023	. . BRACKET, mounting, undercarriage door jack, port	1	L73	
EA1.11.1024	. . BRACKET, mounting, undercarriage door jack, starboard	1	L73	
EEAS222/3C	Attaching parts for EA1.11.1023 or EA1.11.1024: . . Bolt, 2BA (Make from A25/3C)	4	—	
EA1.57.135	. . FITTING, drain outlet	3	—	KA8/8
EA1.11.771	. . PLATE, attachment, filler cap	3	L73	KA8/9
EA1.11.1651	. . PLATE, cover	1	—	KA8/10
EA1.11.1653	. . PLATE, cover	1	—	KA8/11
EA1.11.1655	. . PLATE, cover	1	—	KA8/12
EA1.11.1657	. . PLATE, cover	1	—	KA8/13
EEAS1/1C	. . SCREW, 2BA	96	S96	KA8/14
EEAS1/1½C	. . SCREW, 2BA	210	S96	KA8/15
EA1.11.1085	. SLEEVE, bearing	4	S11	
EA2.11.881	. WASHER, special	4	S82	
EA1.11.1101	. WASHER, special	4	S82	

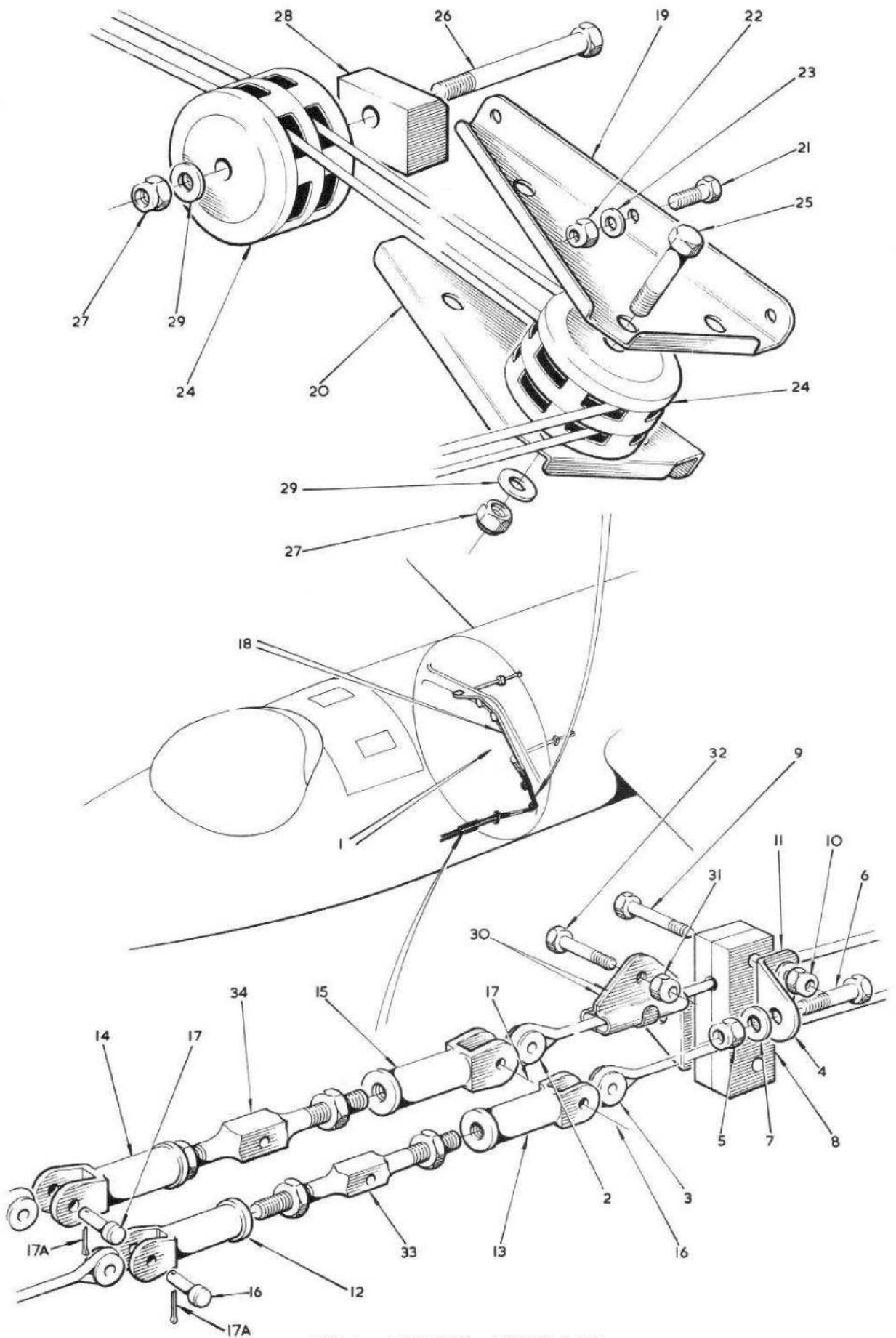


FIG. I CENTRE FUSELAGE

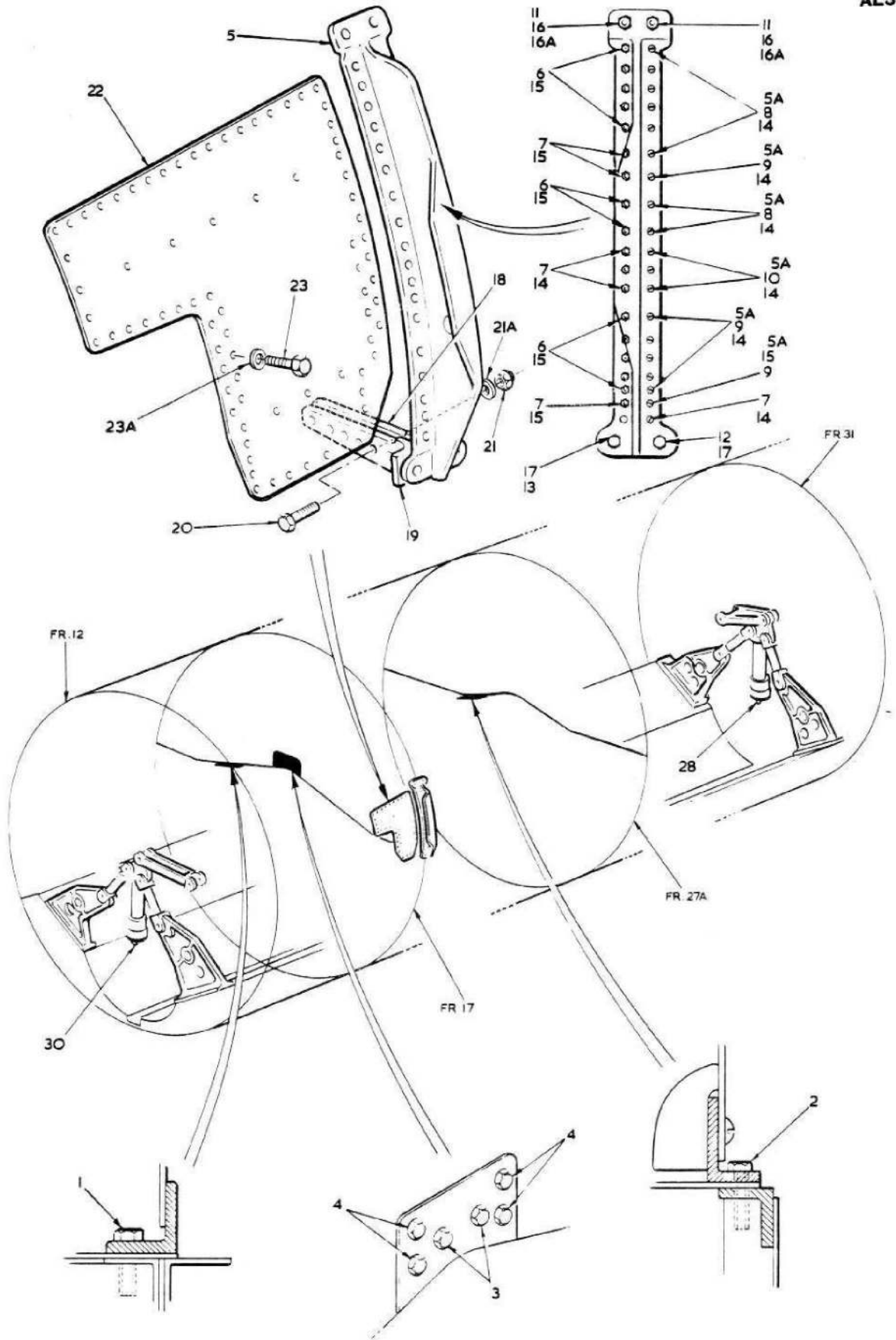


FIG. 3 CENTRE FUSELAGE STRUCTURE

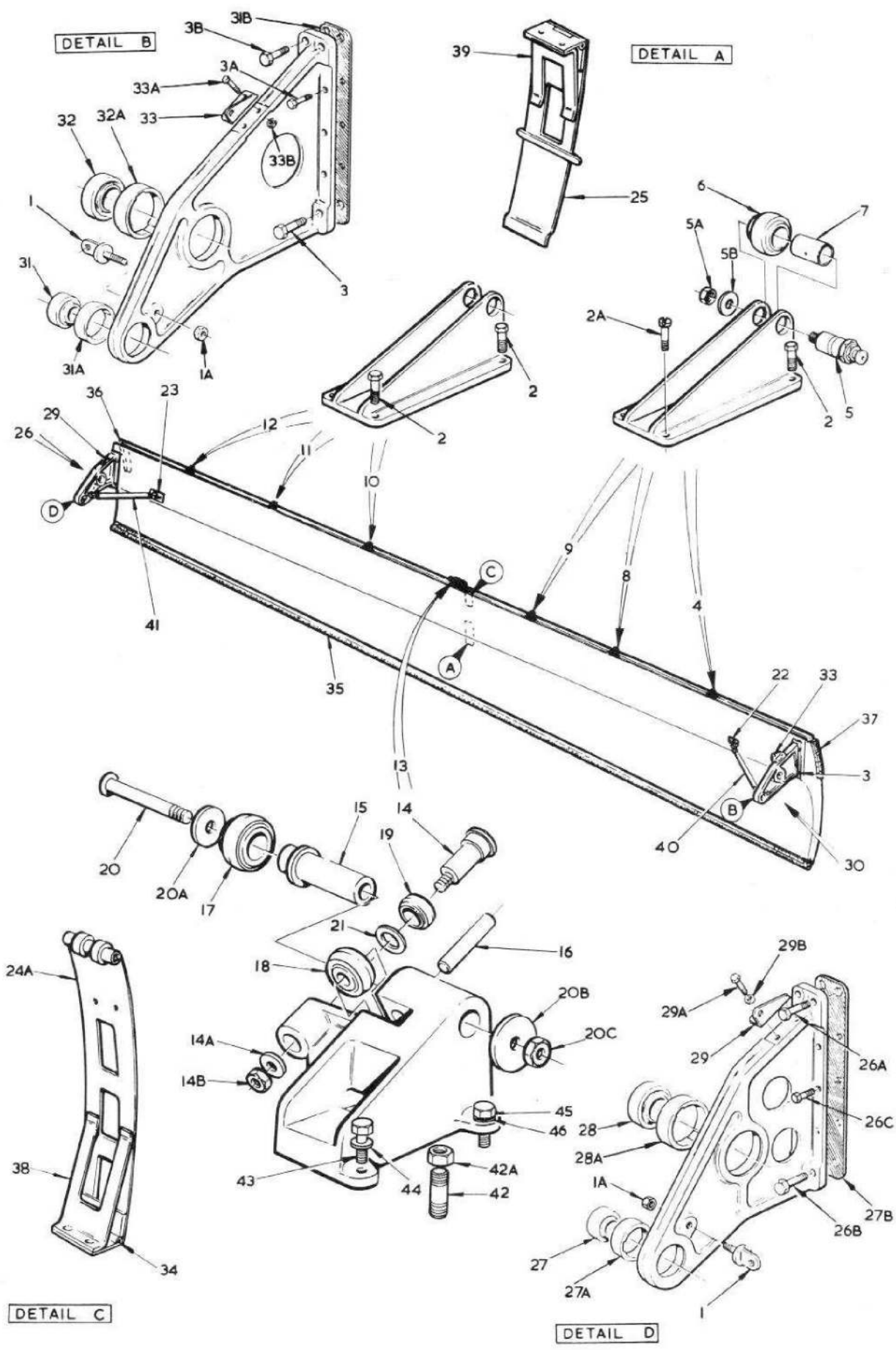


FIG.4 CENTRE FUSELAGE STRUCTURE

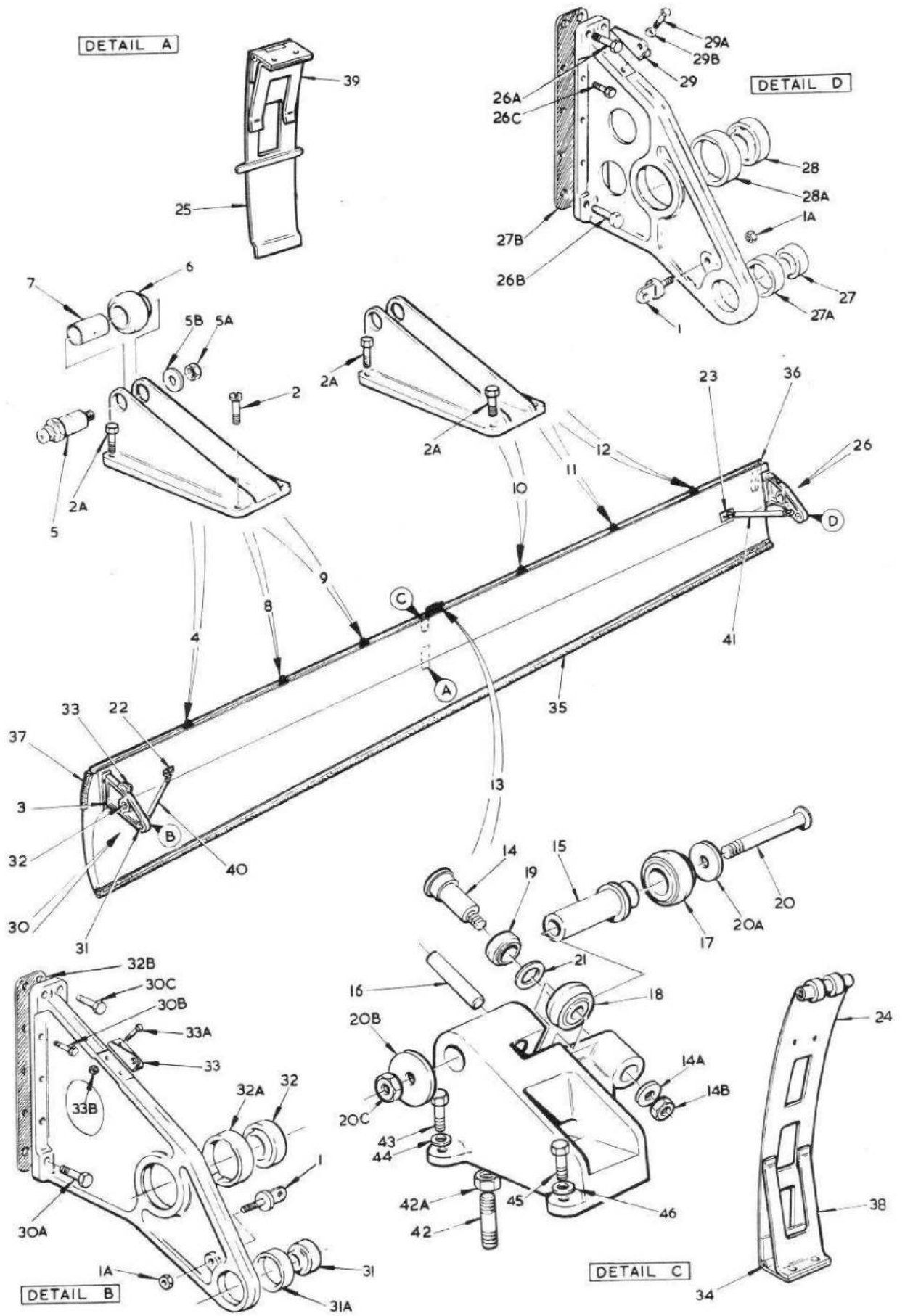


FIG.5 CENTRE FUSELAGE

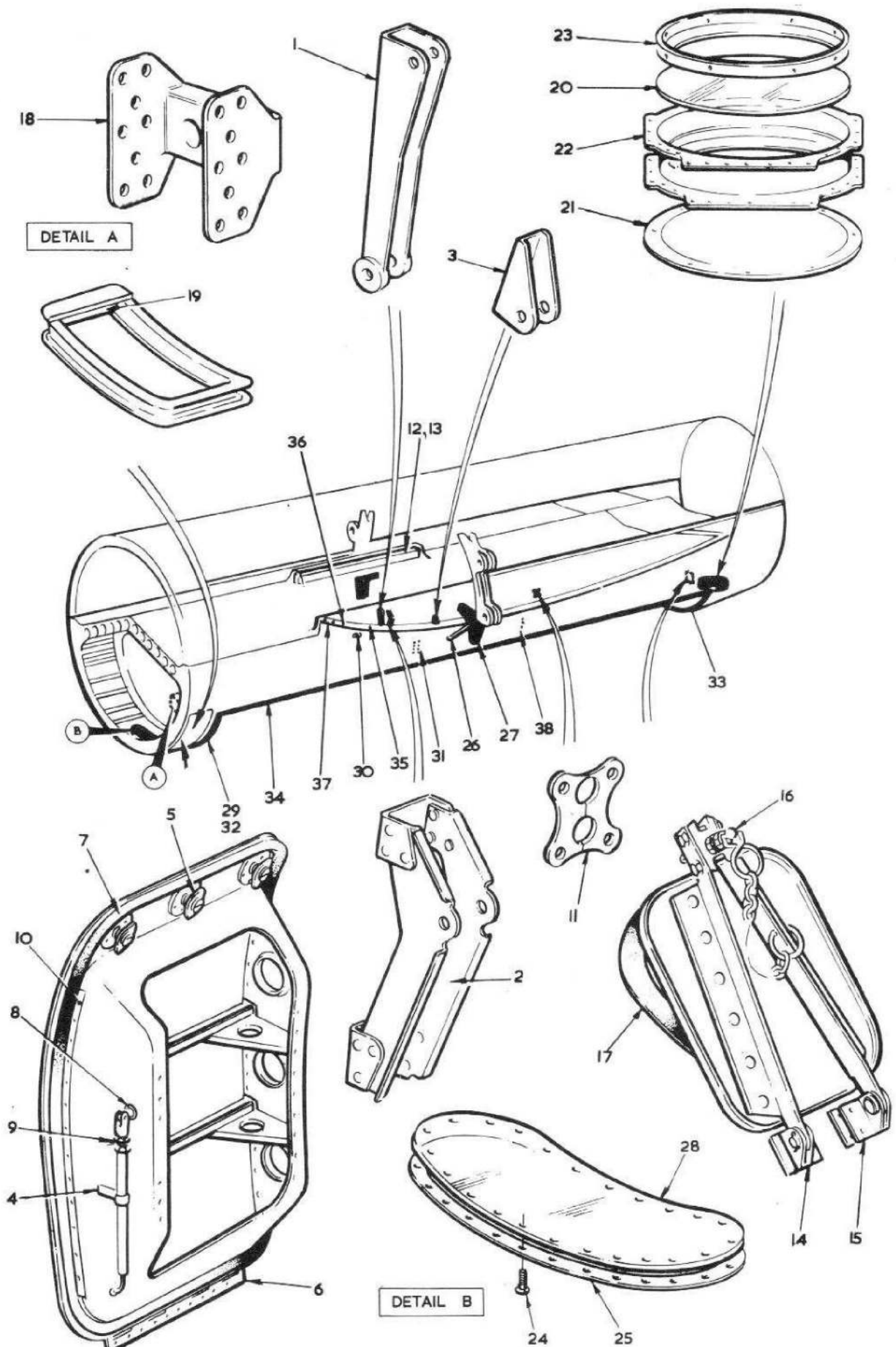


FIG.6 CENTRE FUSELAGE STRUCTURE

CODE RS

SECT KA

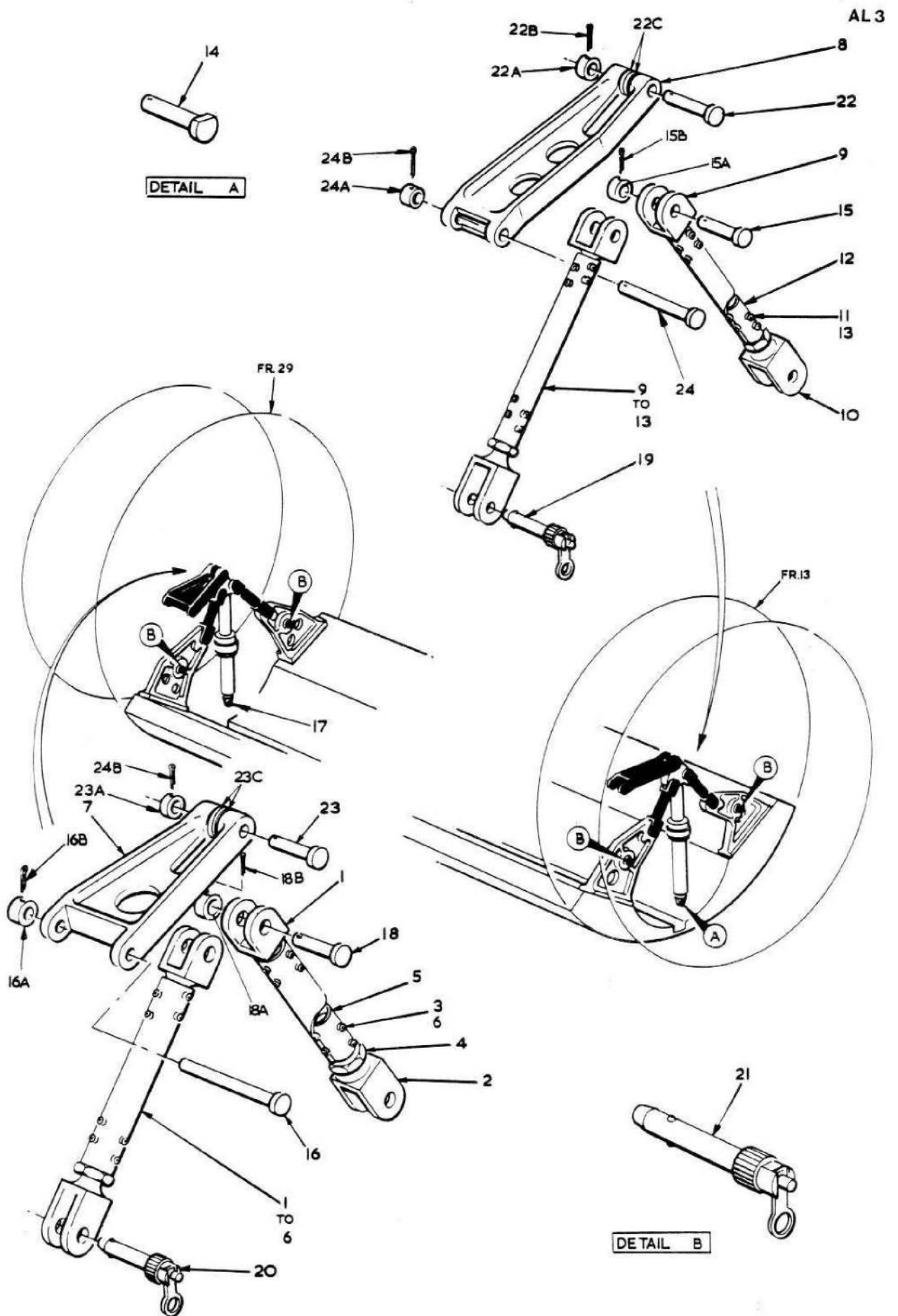


FIG.7 CENTRE FUSELAGE STRUCTURE

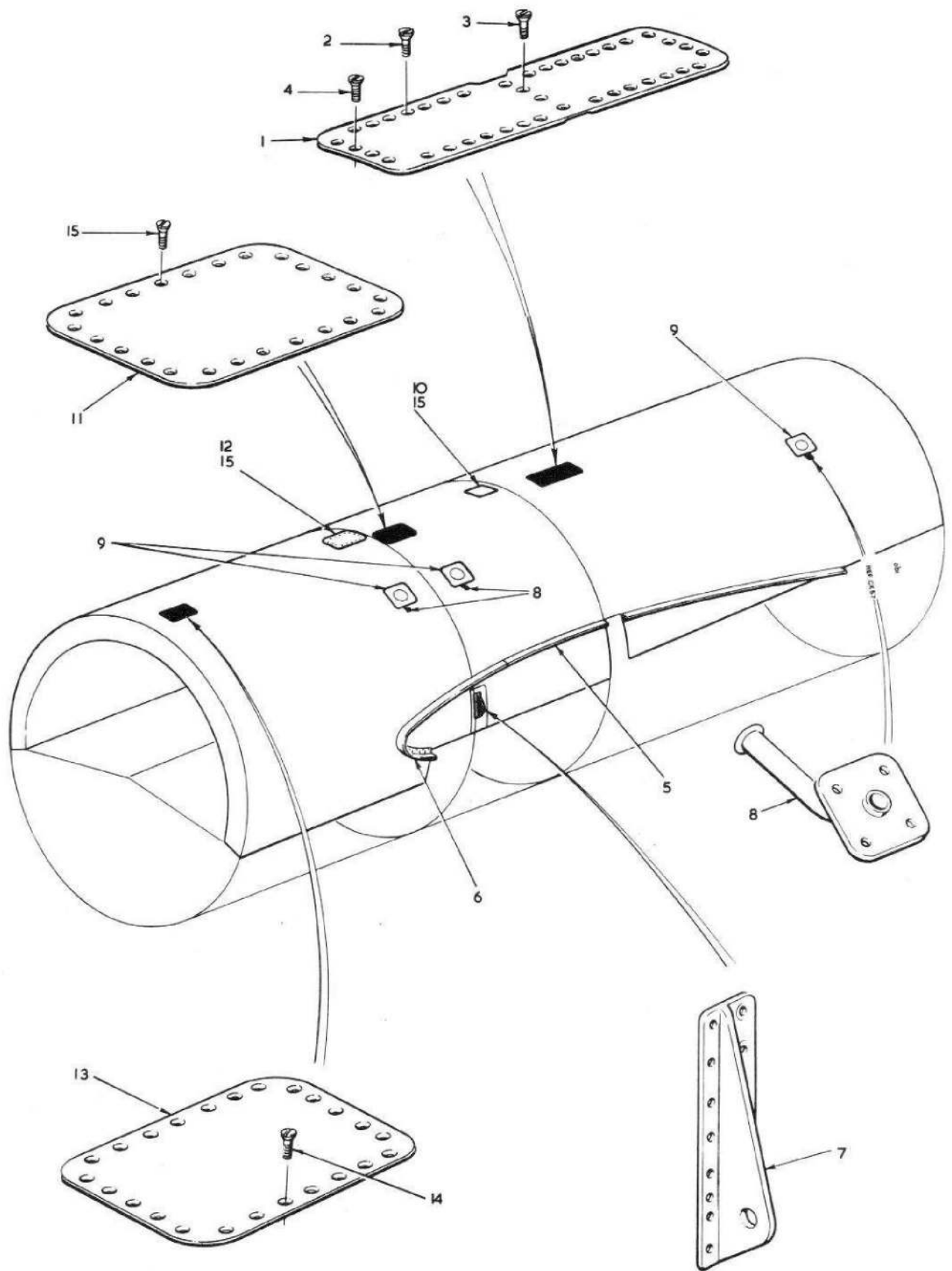


FIG.8 CENTRE FUSELAGE STRUCTURE

CODE RS

SECT. K.A.

This file was downloaded
from the RTFM Library.

Link: www.scottbouch.com/rtfm

Please see site for usage terms,
and more aircraft documents.

