

FUSELAGE  
FRONT FUSELAGE

Part Number	Description	No. Off	Matl. Spec.	Plate No.
R EA3.00.5	NOSE, FUSELAGE, ASSEMBLY (Pre-Mod 5344)	1	—	
R EA3.00.5799	NOSE, FUSELAGE, ASSEMBLY (Spares condition based on EA3.00.5 to LTF standard) (Mod 5344) Spares for:—	1	—	
EA3.74.83	. BLAST, COOLING FOR INVERTER, TYPE 201, ASSEMBLY Spares for:—	—	—	KB1/1
SP144/028	. . CLIP, hose	2	—	KB1/2
EA3.74.77	. . NUT, special	1	L40	KB1/3
EA3.74.71	. . PIPE, to inverter	1	L54	KB1/4
EA3.74.79	. . PIPE, assembly	1	L54	KB1/5
EA3.74.81	. . SLEEVE, pipe, connecting	1	L54	KB1/6
EEAS20/2DU	. . TAB, locking	1	L72	KB1/7
EA3.74.73	. . WASHER, special	1	Langite	KB1/8
†	. . WIRE, locking	QR	—	KB1/9
EA3.74.105	. BLAST, COOLING FOR INVERTER, TYPE 200, ASSEMBLY	—	—	KB1/10
SP144/028	. . CLIP, hose	2	—	KB1/11
EA3.74.103	. . PIPE, assembly	1	—	KB1/12
EA3.74.107	. . SLEEVE, pipe, connecting (Make from 32C/1275038)	1	BSF67	KB1/13
EEAS20/2DU	. . TAB, locking	1	Type 1	KB1/14
EA3.74.99	. . WASHER, special	1	L72	KB1/15
†	. . WIRE, locking	QR	Felt	KB1/16
EA3.75.141	. CABIN, PRESSURE SYSTEM (See Sect. SB)	—	—	
EA3.74.21	. COLD AIR SUPPLY TO PILOT (See Sect. SB)	—	—	
EA3.45.3	. CONTROLS, FLYING IN COCKPIT (See Sect. DA)	—	—	
EA1.47.5	. CONTROL, ENGINE (See Sect. CB)	—	—	
EA3.76.215	. DE-MISTING SYSTEM (MOD 76) (See Sect. SD)	—	—	
EA3.81.5	. ELECTRICAL EQUIPMENT (See Sect. EB)	—	—	

FUSELAGE  
FRONT FUSELAGE

Part Number	Description	No. Off	Matl. Spec.	Plate No.
EA3.10.1	FRONT FUSELAGE ASSEMBLY	1	—	
	Spares for:-			
EA3.10.6387	ALTERATIONS TO NAVIGATORS HATCH LONGERONS AND FORWARD AND AFT MEMBERS (Alt R60/88)	—	—	
	Spares for:-			
EA3.10.6417	ANGLE, L.H.	1	—	KB14/1
EA3.10.6418	ANGLE, R.H.	1	—	KB14/2
EA3.10.6419	ANGLE, L.H.	1	—	KB14/3
EA3.10.6420	ANGLE, R.H.	1	—	KB14/4
EA3.10.6421	ANGLE, L.H.	1	—	KB14/5
EA3.10.6422	ANGLE, R.H.	1	—	KB14/6
EA3.10.6427	ANGLE, L.H.	3	—	KB14/7
EA3.10.6428	ANGLE, R.H.	3	—	KB14/8
EA3.10.6429	ANGLE, L.H.	1	—	KB14/9
EA3.10.6430	ANGLE, R.H.	1	—	KB14/10
EA3.10.65	ANGLE, L.H.	1	—	KB14/11
EA3.10.66	ANGLE, R.H.	1	—	KB14/12
EA3.10.6395	ARCH, forward member (Pre-Mod 5344)	1	—	
EA3.00.5737	ARCH, forward member (Spares for EA3.10.6395) (Mod 5344)	1	—	KB14/13
EA3.10.6399	ARCH, aft member (Pre-Mod 5344)	1	—	
EA3.00.5735	ARCH, aft member (Spares for EA3.10.6399) (Mod 5344)	1	—	KB14/14
EA3.10.561	ARM, steady	23	—	KB14/15
EA3.10.173	CLEAT	2	—	KB14/16
EA3.10.171	CLEAT	2	—	KB14/17
EA3.10.6415	DIAPHRAGM, L.H.	1	—	KB14/18
EA3.10.6416	DIAPHRAGM, R.H.	1	—	KB14/19
EA3.10.6501	DIAPHRAGM, L.H.	1	—	KB14/20
EA3.10.6502	DIAPHRAGM, R.H.	1	—	KB14/21
EA3.10.6503	DIAPHRAGM, L.H.	1	—	KB14/22
EA3.10.6504	DIAPHRAGM, R.H.	1	—	KB14/23
EA3.10.6505	DOUBLING, L.H.	1	—	KB14/24
EA3.10.6506	DOUBLING, R.H.	1	—	KB14/25
EA3.10.6389	FRAME, bolt, navigator's hatch (Pre-Mod 5344)	1	—	
EA3.00.5783	FRAME, bolt assembly (Spares for EA3.10.6389) (Mod 5344)	1	—	KB14/26
	Spares for:-			
EA3.10.6391	BLOCK, corner	2	—	KB14/27
EA3.10.6393	BLOCK, corner	2	—	KB14/28
EA3.10.1981	BLOCK	30	—	KB14/29
EA3.10.161	FRAME, bolt, forward	1	—	KB14/30
EA3.10.163	FRAME, bolt, aft	1	—	KB14/31
EA3.10.165	FRAME, bolt, L.H.	1	—	KB14/32
EA3.10.166	FRAME, bolt, R.H.	1	—	KB14/33
AGS2008/E/1	NUT, anchor, 1/4" BSF thin	68	—	KB14/34
	Attaching parts for EA3.10.6389:-			
EA1.10.1029	Bolt, explosive	34	—	KB14/35
EA3.10.6407	Bush	21	—	KB14/36
EA3.10.6511	Bush	2	—	KB14/37
A27LT	Nut, thin, 7/16" BSF	34	—	KB14/38
EA3.10.6411	Tube, distance	2	—	KB14/39
EA3.10.6413	Tube, distance	21	—	KB14/40
AGS2035L	Washer, shakeproof, 7/16" BSF	34	—	KB14/38A

R

R

AP101B-0402-3A

FUSELAGE  
FRONT FUSELAGE

Page KB.2A

Part Number	Description	No. Off	Matl. Spec.	Plate No.
R EA3.10.6401	... FITTING, forward, L.H.	1	—	KB15/1
R EA3.10.6403	... FITTING, aft, L.H.	1	—	KB15/2
	... Attaching parts for EA3.10.6401 and EA3.10.6403:			
R A59/7E	... Bolt, 1/4" BSF	3	—	KB15/3
R A59/5E	... Bolt, 1/4" BSF	4	—	KB15/4
R A59/3E	... Bolt, 1/4" BSF	4	—	KB15/5
R A25/3C	... Bolt, 2BA	5	—	KB15/6
R A27/CP	... Nut, 2BA, plain	5	—	KB15/7
R A27/EP	... Nut, 1/4" BSF, plain	11	—	KB15/8
R SP124/E	... Washer, thin	4	—	KB15/9
R SP125/E	... Washer, thick	4	—	KB15/10
R SP125/C	... Washer, thick	5	—	KB15/11
R EA3.10.6402	... FITTING, forward, R.H.	1	—	KB15/12
R EA3.10.6404	... FITTING, aft, R.H.	1	—	KB15/13
	... Attaching parts for EA3.10.6402 and EA3.10.6404:			
R A59/7E	... Bolt, 1/4" BSF	3	—	KB15/14
R A59/5E	... Bolt, 1/4" BSF	4	—	KB15/15
R A59/3E	... Bolt, 1/4" BSF	4	—	KB15/16
R A25/3C	... Bolt, 2BA	5	—	KB15/17
R A27/CP	... Nut, 2BA, plain	5	—	KB15/18
R A27/EP	... Nut, 1/4" BSF, plain	11	—	KB15/19
R SP124/E	... Washer, thin	4	—	KB15/20
R SP125/E	... Washer, thick	4	—	KB15/21
R SP125/C	... Washer, thick	5	—	KB15/22
R EA3.10.6513	... GUSSET, L.H.	1	—	KB15/23
R EA3.10.6514	... GUSSET, R.H.	1	—	KB15/24
R EA3.10.6433	... LONGERON, escape hatch, L.H.	1	—	KB15/25
R EA3.10.6435	... LONGERON, escape hatch, R.H.	1	—	KB15/26
R EA3.10.45	... LONGERON, member, L.H.	1	—	KB15/27
R EA3.10.46	... LONGERON, member, R.H.	1	—	KB15/28
R EA3.10.6497	... PACKING	1	—	KB15/29
R EA3.10.6499	... PACKING	1	—	KB15/30
R EA3.10.6481	... PANEL, skin, L.H.	1	—	KB15/31
R EA3.10.6482	... PANEL, skin, R.H.	1	—	KB15/32
R EA3.10.515	... PANEL, skin	1	—	KB15/33
R EA3.10.1097	... PANEL, skin	1	—	KB15/34
R EA3.10.503	... PANEL, skin	1	—	KB15/35
R EA3.10.1099	... PANEL, skin	1	—	KB15/36
R EA3.10.519	... PANEL, skin	1	—	KB15/37
R EA3.10.6431	... PLATE, tie	1	—	KB15/38
R EA3.10.6432	... PLATE, tie	1	—	KB15/39
R EA3.10.6515	... REINFORCING, L.H.	1	—	KB15/41
R EA3.10.6516	... REINFORCING, R.H.	1	—	KB15/42
R EA3.10.549	... SEAL, pressure	1	—	KB14/41
R EA3.10.6489	... SHIM	2	—	KB15/44
R EA3.10.6491	... SHIM	2	—	KB15/45
R EA3.10.6493	... SHIM	2	—	KB15/46
R EA3.10.6495	... SHIM	2	—	KB15/47
R EA3.10.6397	... STIFFENER, hatch frame	1	—	KB15/48
R EA3.10.6483	... STRAP, butt	2	—	KB15/49
R EA3.10.6485	... STRAP, butt	2	—	KB15/50
R EA3.10.6487	... STRAP, butt	2	—	KB15/51
R EA3.10.471	... WEDGE, packing	10	—	KB15/52

FUSELAGE  
FRONT FUSELAGE

Part Number	Description	No. Off	Matl. Spec.	Plate No.
EA3.10.391	. . . ARM, steady, L.H. for escape hatch explosive bolt	1	—	
EA3.10.392	. . . ARM, steady, R.H. for escape hatch explosive bolt	1	—	
EA3.10.561	. . . ARM, steady, for escape hatch explosive bolt	24	—	
A61/2C	. . . Bolt, 2BA	2	—	
AGS2001C3	. . . Nut, 2BA	2	—	
EA3.10.651	. . . Shim	QR	—	
EA3.10.2551	. . . ARM, steady, L.H. for escape hatch explosive bolt	1	L72	KB5/47
EA3.10.2552	. . . ARM, steady, R.H. for escape hatch explosive bolt	1	L72	KB5/48
A61/3C	. . . Bolt, 2BA	2	—	
AGS2001C3	. . . Nut, 2BA	2	—	
EA3.10.2549	. . . Shim	4	—	
EA3.10.2583	. . . ARM, steady, for escape hatch explosive bolt	3	—	
EA3.10.2584	. . . ARM, steady, for escape hatch explosive bolt	3	—	
A61/3C	. . . Bolt, 2BA	2	—	
AGS2001C3	. . . Nut, 2BA	2	—	
EA3.10.651	. . . Shim	QR	—	
EA1.10.1029	. . . BOLT, special, explosive, navigator's escape hatch	34	—	KB5/49
EA3.10.6477	. . . BOLT, special, securing navigator's escape hatch (Alt. R60/44 — Mod.5097)	66	—	
EA3.10.6165	. . . BRACKET, BUTT-CONNECTOR INSTALLATION (MOD.3706 — S.O.O.) Spares for:	—	—	
EA3.10.6177	. . . BRACKET (Pre. Alt. R60/44)	1	L72	
EA3.10.6131	. . . STRIP, sealing (Make from 30B/9611220) (Pre. Alt. R60/44)	1	L72	
EA3.10.2581	. . . BRACKET, hinge, port	1	—	KB6/9A
EA3.10.2582	. . . BRACKET, hinge, starboard	1	—	KB6/10A
AS1242/4C	. . . Bolt, 2BA	2	—	KB6/9B
AS1242/5C	. . . Bolt, 2BA (Alternative to AS1242/4C)	2	—	
AS1242/6C	. . . Bolt, 2BA	2	—	KB6/9C
AS1242/7C	. . . Bolt, 2BA (Alternative to AS1242/6C)	2	—	
AGS2001C1/66	. . . Nut, 2BA	4	—	KB6/9D
SP13C	. . . Washer	4	—	KB6/9E
EA1.20.1033	. . . Washer, special	4	—	KB6/9F

R

AP101B-0402-3A

FUSELAGE  
FRONT FUSELAGE

Part Number	Description	No. Off	Mati. Spec.	Plate No.
EA3.10.983	. . . BUSH, rubber, for canopy bolt	16	—	KB11/16
EA1.10.1163	. . . BUSH, navigator's escape hatch explosive bolt	21	L40	KB5/50
EA1.10.1165	. . . BUSH, navigator's escape hatch explosive bolt forward corners only	13	L40	KB5/51
EA3.10.3021	. . . CAP, sealing, for escape hatch pivot	2	L40	KB5/52
EA3.10.3019	. . . COLLAR, sealing, for escape hatch pivot	2	L65	KB5/53
EA1.10.501	. . . DOOR, ACCESS, EQUIPMENT, ASSEMBLY (Supplied to Part No.EA3.00.113 for spares purposes) For Alterations and modifications to door and equipment see Sect. RA (SRIM.1785) (Mod.4937 — S.O.O.) Spares for:	1	—	KB2/1
EA1.10.511	. . . . LINK, connecting	2	—	KB2/2
AS2866P	. . . . LOCK, L.H. FLUSH TYPE, ASSEMBLY Spares for:	1	—	KB2/3
AS5382	. . . . . BOLT, pivot	1	—	KB2/4
AS2558	. . . . . BUTTON, pressure, seal	1	—	KB2/5
AS2528	. . . . . BUTTON, push outer	1	—	KB2/5A
AS2552	. . . . . HANDLE, single handle lock	1	—	KB2/6
FGS50	. . . . . KEY	1	—	
or				
FFE4				
AS2532	. . . . . PLATE, catch	1	—	KB2/7
AS2530	. . . . . PLATE, centre, push button	1	—	KB2/6A
AS2559	. . . . . SEAL, handle	1	—	KB2/8
AS5381	. . . . . SEAL, push button	1	—	KB2/9
AS2534	. . . . . SPRING, for catch	1	—	KB2/10
AS2556	. . . . . STUD, spring	1	—	KB2/11
A33B12	. . . . . Attaching parts for AS2866P: Screw, 4BA	11	—	KB2/13
EA1.10.2423	. . . . . PANEL, removable	1	—	KB2/14
EA1.10.2421	. . . . . RING, packing	1	L72	KB2/12
EA1.10.549	. . . . . ROD, door lock	2	L64	KB2/15
EA1.10.2425	. . . . . STRIP, sealing, ½" wide (Make from EEAS141/1 Ref.12713)			
EA1.10.1189	. . . DOOR, access, hydraulic reservoir	1	L72	KB11/19

FUSELAGE  
FRONT FUSELAGE

Part Number	Description	No. Off	Matl. Spec.	Plate No.
EA3.00.117	. . . DOOR, main entrance (For A/C WD. 929-931, 933-938, 941-942 and WP.514, supplied with trim allowance) (For non-interchangeable A/C only)	1	—	
EA3.10.1401	. . . DOOR, MAIN ENTRANCE, ASSEMBLY Spares for:	1	—	KB3/1
EA1.10.1145	. . . BOLT, assembly, door, aft	1	—	KB3/2
EA1.10.1143	. . . BOLT, assembly, door forward	1	—	KB3/3
SP4Y/B6	. . . Attaching parts for EA1.10.1145 and EA1.10.1143: Pin	1	—	KB3/4
EA3.10.2313	. . . FAIRING, handle, internal Attaching parts for EA3.10.2313:	1	—	KB3/5
AS1248/2C	. . . Bolt, 2BA	13	—	KB3/6
EA1.10.1785	. . . HANDLE, door, internal Attaching parts for EA1.10.1785:	1	—	KB3/7
AS1248/2C	. . . Bolt, 2BA	1	—	KB3/8
SP47C	. . . Washer	1	—	KB3/9
SP13C	. . . Washer	1	—	KB3/10
EA3.10.1407	. . . HINGE, ENTRANCE DOOR, ASSEMBLY Spares for:	2	—	KB3/1A
SKEFCO CBS3	. . . BEARING	2	—	KB3/1B
EA3.10.1403	. . . HINGE	1	—	KB3/1C
EA3.10.1405	. . . PIN	1	—	KB3/1D
EA1.10.1733	. . . HOUSING, door, bolt aft Attaching parts for EA1.10.1733:	1	—	KB3/11
A25/2B	. . . Bolt, 4BA	16	—	KB3/12
A27BP	. . . Nut, 4BA	16	—	KB3/13
SP47B	. . . Washer	16	—	KB3/14
EA1.10.1735	. . . HOUSING, door, bolt forward Attaching parts for EA1.10.1735:	1	—	KB3/15
A25/1B	. . . Bolt, 4BA	10	—	KB3/16
A25/2B	. . . Bolt, 4BA	14	—	KB3/17
A27BP	. . . Nut, 4BA	14	—	KB3/18
SP47B	. . . Washer	24	—	KB3/19
EA1.10.1337	. . . LEVER, cranked, aft	1	—	KB3/20
EA1.10.813	. . . LEVER, cranked, forward Attaching parts for EA1.10.1337 and EA1.10.813:	1	—	KB3/21
A25/6C	. . . Bolt, 2BA	1	—	KB3/22
EA1.10.1149	. . . Tube, distance	1	—	KB3/23
EA1.10.821	. . . LINK, coupling, crank lever to door handle Attaching parts for EA1.10.821:	1	—	KB3/24
SP4Y/B4	. . . Pin	2	—	KB3/25
SP13C	. . . Washer	2	—	KB3/26

AP101B-0402-3A

FUSELAGE  
FRONT FUSELAGE

Page KB.5

Part Number	Description	No. Off	Matl. Spec.	Plate No.
AS2864P	LOCK, FLUSH FITTING DOOR, ASSEMBLY Spares for:	1	—	KB3/27
AS5382	BOLT, pivot	1	—	KB3/28
AS2558	BUTTON, pressure seal	1	—	KB3/29
AS2528	BUTTON, push inner	1	—	KB3/29A
AS2549	HANDLE, outer, double handle lock	1	—	KB3/30
FGS50	KEY	1	—	
or				
FFE4				
AS2532	PLATE, catch	1	—	KB3/31
AS2530	PLATE, centre, push button	1	—	KB3/31A
AS2559	SEAL, handle	1	—	KB3/32
AS5381	SEAL, push button	1	—	KB3/33
AS2534	SPRING, for catch	1	—	KB3/34
AS2556	STUD, spring	1	—	KB3/35
	Attaching parts for AS2864P:			
AS1248/1B	Bolt, 4BA	4	—	KB3/36
A33B20	Screw, 4BA	11	—	KB3/37
EA1.10.1995	PANEL, access Attaching parts for EA1.10.1995:	1	L72	KB3/38
AS1242/2C	Bolt, 2BA	14	—	KB3/39
AS1248/2C	Bolt, 2BA	30	—	KB3/40
EA3.10.1447	PANEL, dished back Attaching parts for EA3.10.1447:	1	—	KB3/41
AS1248/2C	Bolt, 2BA	1	—	KB3/42
EA1.10.2657	Gasket	1	—	KB3/43
EA1.10.1319	PLATE (bracket), swivel door stop Attaching parts for EA1.10.1319:	1	L72	KB3/44
A27EP	Nut, ¼" BSF	1	—	KB3/45
SP13E	Washer	1	—	KB3/46
EA1.10.1651	SEAL, door, outer (Make from 32C/652)	1	—	KB3/47
EA3.10.2813	STRAP, support strut, stowage	1	—	KB3/48
EA3.10.1459	TUBE, stay, door prop	1	—	KB3/49
EA1.10.939	DOOR, NOSE, UNDERCARRIAGE, PORT, ASSEMBLY (Supplied to Part No.EA3.00.149 for spares purposes) Spares for:	1	—	KB4/1
EA1.10.957	BLOCK, catch Attaching parts for EA1.10.957:	2	—	KB4/2
EA1.10.961	Bolt, special	4	—	KB4/3
EA1.10.963	Shim	1	—	KB4/4
SP47C	Washer	4	—	KB4/5
EA1.10.1367	BRACKET, door, pick-up Attaching parts for EA1.10.1367:	1	—	KB4/6
EA1.10.2707	Bolt, special (Make from A25/3C)	8	—	KB4/7
EA1.10.1369	Shim	1	—	KB4/8

R  
R

FUSELAGE  
FRONT FUSELAGE

Part Number	Description	No. Off	Matl. Spec.	Plate No.
EA1.10.1271	. . . HINGE (Make from AS1880, Ref.28N/9486785)	1	—	KB4/9
EA1.10.1413	. . . HINGE, assembly	1	—	KB4/10
EA1.10.955	. . . PAD	1	Rubber	KB4/11
EA1.10.2467	. . . Attaching parts for EA1.10.955: Angle	1	—	KB4/12
EA3.10.6377	. . . Angle	1	L72	
EA3.10.3485	. . . Packing	1	—	KB4/13
EA3.10.6383	. . . Packing	1	L72	
A33C32	. . . Screw, 2BA	2	—	KB4/14
EA1.10.949	. . . Shim	1	Light alloy	KB4/15
EA3.10.6381	. . . Shim	1	BACM64	
EEAS6C	. . . Washer	2	—	KB4/16
EA1.10.2655	. . . PAD, stop	1	—	KB4/17
EA1.10.2065	. . . SPUR	1	—	KB4/18
EA3.10.2811	. . . STRIP, sealing (Make from Ref.4756) (Pre Mod.5282)	1	Synthetic Rubber	KB4/19
EA3.10.6583	. . . STRIP, sealing (Make from EEAS844) (26FZ/6147755) (Mod.5282) Attaching parts for EA3.10.2811 and EA3.10.6583	1		
AGS2001A1	. . . Nut, 6BA	16	—	KB4/20
A33A12	. . . Screw, 6BA	16	—	KB4/21
EA1.10.2513	. . . Strip, securing	1	—	KB4/22
EA1.10.2515	. . . Strip, securing	1	—	KB4/23
EA1.10.940	. . . DOOR, NOSE UNDERCARRIAGE, STARBOARD, ASSEMBLY (Supplied to Part No.EA3.00.150 for spares purposes) Spares for:	1	—	KB4/24
EA3.10.3129	. . . BLOCK, door catch Attaching parts for EA3.10.3129:	2	—	KB4/25
EA1.10.983	. . . Bolt, special	4	—	KB4/26
SP47C	. . . Washer, spring	4	—	KB4/27
EA1.10.1367	. . . BRACKET, door, pick-up Attaching parts for EA1.10.1367:	1	—	KB4/28
EA1.10.2707	. . . Bolt, special (Make from A25/3C)	8	—	KB4/29
EA1.10.1369	. . . Shim	1	—	KB4/30
EA1.10.2071	. . . BRACKET, roller Attaching parts for EA1.10.2071:	1	—	KB4/31
A25/3C	. . . Bolt, 2BA	2	—	KB4/32
A27CP	. . . Nut, 2BA	2	—	KB4/33
EA1.10.2077	. . . Washer, special	2	—	KB4/34
EA3.10.3085	. . . BRACKET, spring seating Attaching parts for EA3.10.3085:	1	L65	KB4/35
A25/3C	. . . Bolt, 2BA	2	—	KB4/36
AGS2002C1/66	. . . Nut, 2BA	2	—	KB4/37
SP16C	. . . Washer	2	—	KB4/38
EA1.10.1272	. . . HINGE (Make from AS1880, Ref.28N/9486785)	1	—	KB4/39
EA1.10.1414	. . . HINGE, assembly	1	—	KB4/40

FUSELAGE  
FRONT FUSELAGE

Part Number	1 2 3 4 5 6	Description	No. Off	Matl. Spec.	Plate No.
EA3.10.3193	. . . .	HOOK, door latch, forward Attaching parts for EA3.10.3193:	1	—	KB4/41
EA1.10.971	. . . .	Pin, pivot	1	—	KB4/42
EA1.45.989	. . . .	Shim	1	—	KB4/43
EEAS28/23CU	. . . .	Washer	2	—	KB4/44
EA3.10.3239	. . . .	HOOK, door latch aft (Mod.1465) Attaching parts for EA3.10.3239:	1	S11	KB4/45
EA3.10.3375	. . . .	Packing (Mod.1465)	5	L72	KB4/46
EA1.10.971	. . . .	Pin, pivot	1	—	KB4/47
SP15G	. . . .	Washer	1	—	KB4/48
EA1.10.955	. . . .	PAD Attaching parts for EA1.10.955:	1	Rubber	KB4/49
EA1.10.2467	. . . .	Angle	1	—	KB4/50
or					
EA3.10.6378	. . . .	Angle	1	L72	
EA3.10.3485	. . . .	Packing	2	—	KB4/51
or					
EA3.10.6383	. . . .	Packing	1	L72	
A33C32	. . . .	Screw, 2BA	2	—	KB4/52
EA1.10.949	. . . .	Shim	1	Light alloy	KB4/53
or					
EA3.10.6381	. . . .	Shim	1	BACM64	
EEAS6C	. . . .	Washer	2	—	KB4/54
EA1.10.1725	. . . .	PLATE, cover Attaching parts for EA1.10.1725:	1	—	KB4/55
A33B12	. . . .	Screw, 4BA	2	—	KB4/56
EA3.10.3211	. . . .	ROD, CONNECTING NOSE UNDERCARRIAGE DOOR HOOKS, ASSEMBLY Spares for:	1	—	KB4/57
EA3.10.3083	. . . .	COLLAR, spring, adjusting	1	L65	KB4/58
EA3.10.3207	. . . .	FORK-END	1	S96	KB4/59
EA3.10.3213	. . . .	FORK-END	1	S96	KB4/60
A27CP	. . . .	NUT, 2BA	2	—	KB4/61
A27CPL	. . . .	NUT, 2BA	1	—	KB4/62
EA3.10.3209	. . . .	ROD	1	S96	KB4/63
EA3.20.2271	. . . .	SPRING	1	DTD239A	KB4/64
AGS899/1	. . . .	Collar	2	—	KB4/65
SP4Y/A7	. . . .	Pin, shackle	2	—	KB4/66
SP90C4	. . . .	Pin, split	2	—	KB4/67
EA1.10.2075	. . . .	ROLLER Attaching parts for EA1.10.2075:	1	—	KB4/68
EA1.10.2073	. . . .	Pin	1	—	KB4/69
EA3.10.2811	. . . .	STRIP, sealing (Make from Ref.4756) (Pre Mod.5282)	1	Synthetic Rubber	KB4/70
EA3.10.6583	. . . .	STRIP, sealing (Make from EEAS844) (26FZ/6147755) (Mod.5282) Attaching parts for EA3.10.2811 and EA3.10.6583:			
AGS2001A1	. . . .	Nut, 6BA	16	—	KB4/71
A33A12	. . . .	Screw, 6BA	16	—	KB4/72
EA1.10.2145	. . . .	Strip, securing	1	—	KB4/73
EA1.10.2515	. . . .	Strip, securing	1	—	KB4/74

FUSELAGE  
FRONT FUSELAGE

Part Number	Description	No. Off	Matl. Spec.	Plate No.
EA1.10.1229	. . . GUARD, block, pressure cabin door seal	1	—	KB3/53
EA1.10.1153	. . . HANDLE, main door jettison	1	L72	KB3/50
EA3.00.5325	. . . HATCH, ESCAPE, NAVIGATOR'S (MOD.4094) (EA3.10.6301) (Pre-Mod 5344) (Supplied for spares purposes with trim allowance) Spares for:	1	—	KB5/1
SIS1564	. . . BLOCK, terminal, 2 way, type B Attaching parts for SIS1564:	1	—	KB5/2
A33A20	. . . Screw, 6BA	2	—	KB5/3
EA3.81.5849	. . . CABLE, ASSEMBLY, N417 Attaching parts for EA3.81.5849:	1	—	KB5/4
A33B6	. . . Screw, 4BA	4	—	KB5/4A
EA3.10.6109	. . . CHANNEL, butt connector Attaching parts for EA3.10.6109:	1	—	KB5/5
A25/2C	. . . Bolt, 2BA	4	—	KB5/6
AGS2001C1/66	. . . Nut, 2BA	4	—	KB5/7
SP16C	. . . Washer	4	—	KB5/8
MARTIN BAKER MBEU320EE	. . . CLIP, stowage, safety harness Attaching parts for MBEU320EE:	4	—	KB5/9
A25/5B	. . . Bolt, 4BA	4	—	KB5/10
AGS2001B1	. . . Nut, 4BA	4	—	KB5/11
EA3.10.2277	. . . Packing	1	—	KB5/12
EA3.10.2281	. . . Packing	2	—	KB5/13
SP15B	. . . Washer	4	—	KB5/14
MARTIN BAKER MBEU321EE	. . . CLIP, stowage, parachute harness Attaching parts for MBEU321EE:	4	—	KB5/15
A25/5B	. . . Bolt, 4BA	4	—	KB5/16
AGS2001B1	. . . Nut, 4BA	4	—	KB5/17
EA3.10.6135	. . . Packing	QR	—	KB5/18
EA3.10.2275	. . . Packing	QR	—	KB5/19
EA3.10.2279	. . . Packing	QR	—	KB5/20
SP15B	. . . Washer	4	—	KB5/21
EA6.10.2683	. . . CURTAIN	1	—	KB5/22
EA3.80.6659	. . . EYE-BOLT, starboard side (Mod.5093)	1	S94	KB5/23
EB7.10.5093	. . . FORK-END, port side Attaching parts for EA3.80.6659 or EB7.10.5093:	1	—	KB5/23A
AGS2001C1/66	. . . Nut, 2BA	1	—	KB5/24
SP15C	. . . Washer	1	—	KB5/25

AP101B-0402-3A

Page KB.9

FUSELAGE  
FRONT FUSELAGE

Part Number	Description	No. Off	Matl. Spec.	Plate No.
EA3.10.6111	HOLDER, spigot Attaching parts for EA3.10.6111:-	1	-	KB5/26
A25/4E	Bolt, 1/4" BSF	2	-	KB5/27
SP16E	Washer	2	-	KB5/28
R EA3.10.6315	MEMBER, forward, escape hatch, assembly Spares for:-	1	-	KB17/1
R EA3.10.129	ANGLE	1	-	KB17/2
R EA6.10.1517	ANGLE	1	-	KB17/3
R EA6.10.1518	ANGLE	1	-	KB17/4
R EA3.10.123	BRACKET, stringer (AS4766)	5	-	KB17/5
R EA3.10.124	BRACKET, stringer (AS4766)	3	-	KB17/6
R EA3.10.127	BRACKET, stringer	4	-	KB17/7
R EA3.10.6181	BRACKET, stringer	1	-	KB17/8
R EA3.10.6182	BRACKET, stringer	1	-	KB17/9
R EA3.10.6317	FRAME, hatch	1	-	KB17/10
EA3.10.3765	PLATE, blanking	1	-	KB5/29
EA3.10.6275	PLATE, window securing Attaching parts for EA3.10.6275:-	2	L72	KB5/30
EEAS1/1C	Bolt, 2BA	46	-	KB5/31
EEAS1/2C	Bolt, 2BA	2	-	KB5/32
AGS2001C1/66	Nut, 2BA	48	-	KB5/33
SP15C	Washer	48	-	KB5/34
EA3.10.6137	RING, packing	1	-	KB5/35
EA3.10.6121	RING, packing	1	-	KB5/36
EA3.10.6247	RING, packing	1	-	KB5/36A
EA3.20.311	SEAL, aft	1	S/H35	KB5/37
EA3.10.313	SEAL, forward	1	S/H35	KB5/38
EA3.10.309	SEAL, side	2	S/H35	KB5/39
EA3.10.6099	SPIGOT, screwed Attaching parts for EA3.10.6099:-	2	-	KB5/40
A27/JT	Nut, 3/8" BSF	1	-	KB5/41
EA3.10.305	WINDOW, perspex Attaching parts for EA3.10.305:-	2	-	KB5/42
EEAS1/6C	Bolt, 2BA	20	-	KB5/43
AGS2001C1/66	Nut, 2BA	20	-	KB5/44
EA3.10.307	Seal, rubber	2	-	KB5/45
SP15C	Washer	40	-	KB5/46
EA3.10.3481	HOOD COUPE TO FUSELAGE, ASSEMBLY (MOD.519) Spares for:-	-	-	KB6/1
EA3.10.2221	BOLT, special, explosive hood fixing	30	L65	KB6/2
EA3.10.2085	BOLT, special, explosive hood fixing	2	L65	KB6/3
EA1.10.1035	BUSH, coaming tube explosive bolt	31	L40	KB6/4
EA1.10.1167	BUSH, coaming, explosive bolt entry	2	L40	KB6/5
EA1.10.1169	BUSH, coaming, tube explosive bolt entry	30	L40	KB6/6
EA1.10.1435	BUSH, coaming, tube explosive bolt	1	L40	KB6/7
-	COAMING TUBE REPAIR FOR EXPLOSIVE BOLTS (EA3.03.35, ASD.319.RS and ASD.617.RS) Spares for (per set):-	-	-	-
EA3.03.47	BUSH (First Repair)	2	-	-
EA3.03.129	BUSH (Second Repair)	2	-	-
EA3.03.297	BUSH (Third Repair)	2	-	-
EA3.03.45	BUSH, locking (First Repair)	30	-	-
EA3.03.127	BUSH, locking (Second Repair)	30	-	-
EA3.03.295	BUSH, locking (Third Repair)	30	-	-
EA3.03.41	BUSH, tapped (First Repair)	31	-	-
EA3.03.125	BUSH, tapped (Second Repair)	31	-	-
EA3.03.291	BUSH, tapped (Third Repair)	31	-	-
EA3.03.43	BUSH, tapped (First Repair)	1	-	-
EA3.03.201	BUSH, tapped (Second Repair)	1	-	-
EA3.03.293	BUSH, tapped (Third Repair)	1	-	-
EA3.03.37	TUBE, distance	31	-	-
EA3.03.39	TUBE, distance	1	-	-

FUSELAGE  
FRONT FUSELAGE

Part Number	Description	No. Off	Mati. Spec.	Plate No.
R -	. . . . HATCH, NAVIGATOR'S ASSEMBLY Comprising:-	-	-	
R EA3.00.5713	. . . . HATCH, NAVIGATOR'S (Spares for EA3.10.6301 modified to EA3.10.6461 (Alt. R60/44) (Mod 5344)	1	-	KB16/1
R EA3.00.5793	. . . . KIT, LOOSE EQUIPMENT FOR NAVIGATOR'S HATCH (LOOSE EQUIPMENT KIT IS ESSENTIAL REQUIREMENT WITH HATCH) (Mod 5344) Comprising:-			
R TYPE B No. 1	. . . . BLOCK, terminal	1	-	KB16/2
R EEAS1/1C	. . . . BOLT	10	-	KB16/3
R AS1246/1B	. . . . BOLT	6	-	KB16/4
R A25/1B	. . . . BOLT	3	-	KB16/5
R EA3.10.6477	. . . . BOLT, special	68	-	KB16/6
R EA3.81.5849	. . . . CABLE, assembly	1	-	KB16/7
R AS3180/4B	. . . . CLIP, 'P'	3	-	KB16/8
R EA6.10.2683	. . . . CURTAIN	2	-	KB16/9
R EA6.10.2589	. . . . FAIRING, canopy	1	-	KB16/10
R EB7.10.5093	. . . . FORK-END	1	-	KB16/11
R AGS2007C1	. . . . NUT, anchor	10	-	KB16/12
R AGS2001C1	. . . . NUT, stiff	2	-	KB16/13
R AGS2001B1	. . . . NUT, stiff	6	-	KB16/14
R EA3.80.1787	. . . . PLATE	2	L72 x 20 SWG	KB16/15
R AS2230-303	. . . . RIVET	20	-	KB16/16
R	. . . . SCREW, hook	8	-	KB16/17
R A33A20	. . . . SCREW	2	-	KB16/18
R EEAS1/2E	. . . . SCREW	2	-	KB16/19
R A33B6	. . . . SCREW	4	-	KB16/20
R EA3.10.309	. . . . SEAL, rubber (Make from 26FZ/208-EEAS74)	2	-	KB16/21
R EA3.10.311	. . . . SEAL, rubber (Make from 26FZ/208-EEAS74)	1	-	KB16/22
R EA3.10.313	. . . . SEAL, rubber (Make from 26FZ/208-EEAS74)	1	-	KB16/23
R SP15C	. . . . WASHER	2	-	KB16/24
R SP15B	. . . . WASHER	3	-	KB16/25
R	. . . . WIRE, 8" long (For installation details of the above refer to drawings EA3.10.6301 and EA3.10.6461)	4	-	KB16/26

AP101B-0402-3A

FUSELAGE  
FRONT FUSELAGE

Part Number	Description 1 2 3 4 5 6	No. Off	Matl. Spec.	Plate No.

## FUSELAGE

## FRONT FUSELAGE

Part Number	Description						No. Off	Mati. Spec.	Plate No.
	1	2	3	4	5	6			
EA3.00.507	.	.	.	.	.	.	1	—	
EA3.00.509	.	.	.	.	.	.	1	—	KB6/8
EA3.10.3479	.	.	.	.	.	.	1	—	KB6/9
EA3.10.3480	.	.	.	.	.	.	1	—	KB6/10
EA6.10.2587	.	.	.	.	.	.	1	—	KB6/11
EA3.15.115	.	.	.	.	.	.	1	—	KB6/12
EA1.15.9	.	.	.	.	.	.	1	L40	KB6/13
EA1.15.13	.	.	.	.	.	.	1	L40	KB6/14
EA3.15.109	.	.	.	.	.	.	24	—	KB6/15
EA3.15.95	.	.	.	.	.	.	148	—	KB6/16
EA1.81.689/1	.	.	.	.	.	.	1	—	KB6/17
R TYPE R No. 3	.	.	.	.	.	.	1	—	KB6/18
R TYPE R No. 2	.	.	.	.	.	.	1	—	KB6/19
EA1.15.19	.	.	.	.	.	.	1	DTD126A	KB6/20
EA3.15.129	.	.	.	.	.	.	1	L72	KB6/21
EA1.15.17	.	.	.	.	.	.	1	L40	KB6/22
EA3.15.133	.	.	.	.	.	.	1	L72	KB6/23
EA3.15.107	.	.	.	.	.	.	1	DTD838	KB6/24
EA3.15.135	.	.	.	.	.	.	1	S/H30	KB6/25
EA3.15.87	.	.	.	.	.	.	1	Natural	KB6/26
EA1.15.23	.	.	.	.	.	.	1	Spring Steel	KB6/27
EA3.15.131	.	.	.	.	.	.	1	S/H30	KB6/28

AP101B-0402-3A

FUSELAGE  
FRONT FUSELAGE

Part Number	1 2 3 4 5 6	Description	No. Off	Mati. Spec.	Plate No.
EA3.15.105	. . . . .	WINDOW, DIRECT VISION, ASSEMBLY (MOD.519) (PRE MOD.4333)	1	—	
EA3.15.139	. . . . .	WINDOW, DIRECT VISION, ASSEMBLY (MOD.4333) Spares for:	1	—	KB6/29
EA1.15.161	. . . . .	BRACKET, fastener	1	L40	KB6/30
EA1.15.163	. . . . .	BRACKET, hinge, c/w bushes	1	L40	KB6/31
EA1.15.173	. . . . .	PACKING, bracket, fastener	1	—	KB6/32
EA1.15.175	. . . . .	PACKING, bracket, hinge	1	—	KB6/33
EA3.15.69	. . . . .	PANEL, c/w elements (Pre Mod.4333)	1	Toughened Glass	
EA3.15.137	. . . . .	PANEL, c/w elements (Mod.4333)	1	—	KB6/34
EA1.15.151	. . . . .	PLATE, 16 SWG	1	L73	KB6/35
EA1.15.145	. . . . .	RING, rubber, insulator	1	S/H40	KB6/36
EA1.15.147	. . . . .	RING, rubber, sealing	1	S/H40	KB6/37
EA3.15.127	. . . . .	RING	1	LFS26	KB6/38
EA1.15.155	. . . . .	RING, sealing	1	Rubber	KB6/39
AH018822/15	. . . . .	RING, sealing	1	—	
EA1.15.157	. . . . .	RING, clamping, 20 SWG	1	L72	KB6/40
EA3.15.111	. . . . .	TERMINAL	4	BSS369	KB6/41
EA3.10.2223	. . . . .	MEMBER, edge, coupe loud	1	—	KB6/42
EA3.10.3451	. . . . .	PLATE, attachment, port	1	L72	KB6/43
EA3.10.3453	. . . . .	PLATE, attachment, starboard	1	L72	KB6/44
EA3.10.3455	. . . . .	PLATE, attachment, rear	1	L72	KB6/45
EA3.10.3457	. . . . .	PLATE, attachment, front	1	—	KB6/46
EA3.10.3061	. . . . .	SHIM, hinge bracket	4	—	KB6/47
EA3.10.3063	. . . . .	SHIM, hinge bracket	4	—	KB6/48
EA6.10.2679	. . . . .	STRIP, rubber, for canopy, forward fairing (Make from Ref.32C/4382968)	QR	Linatex	KB6/49
EA3.10.2249	. . . . .	SEAL, rubber strip, coaming tube to canopy 1/8" x 1 1/4" (Make from Ref.32C/4382961)	QR	Linatex	KB6/50
EA3.10.2251	. . . . .	SEAL, rubber strip coaming tube to canopy 1/16" x 1 1/4" (Make from Ref.32C/4282898)	QR	Linatex	KB6/51
EA3.10.2245	. . . . .	TUBE, COAMING, COUPE, ASSEMBLY Spares for:	1	—	KB6/52
EA3.16.5025	. . . . .	BRACKET, TOP ATTACHMENT GUIDE RAIL, ASSEMBLY (MOD.4151) Spares for:	2	—	KB6/53
EA3.16.5027	. . . . .	EYE-BOLT Attaching parts for EA3.16.5027:	1	S96	KB6/54
A27EP	. . . . .	Nut, 1/2" BSF	1	—	KB6/55
EA1.10.847	. . . . .	Washer, saddle	1	—	KB6/56
EA1.10.849	. . . . .	Washer, saddle	1	—	KB6/57
EA1.10.1657	. . . . .	CLIP, special, top half air drier mounting	4	DTD214	KB6/58
EA1.10.1659	. . . . .	CLIP, special, bottom half air drier mounting	4	DTD214	KB6/59
EA1.10.1501	. . . . .	CROSS-TUBE, canopy coaming	1	—	KB6/60
EA1.10.1663	. . . . .	NUT, special, knurled finger	8	L40	KB6/61
EA3.10.2773	. . . . .	PLATE, blast	1	L72	KB6/62
EA1.10.847	. . . . .	WASHER, saddle, special, pilot's seat, rear fixing	2	L40	KB6/63

R

FUSELAGE  
FRONT FUSELAGE

Part Number	Description	No. Off	Mati. Spec.	Plate No.
EA3.00.285	KEEL UNIT, ASSEMBLY (REPAIR) (EA3.10.17) Spares for:	—	—	KB7/1
EA3.11.655	BOLT, special (Make from A25/4E)	4	—	KB7/2
EA3.00.947	BRACKET, support (EA3.10.79) (Alt. R60/314)	1	—	
EA3.00.948	BRACKET, support (EA3.10.80) (Alt. R60/314)	1	—	
EA3.10.885	DOOR, probe, access Attaching parts for EA3.10.885:	1	—	KB7/3
AS1248/1C	Bolt, 2BA	12	—	KB7/4
—	SKINNING, PRESSURE CABIN KEEL UNIT ASSEMBLY (EA3.10.11) Spares for:	—	—	KB7/5
R —	DELETION OF K AERIAL (EA3.10.6615) (MOD.5223) Spares for:	—	—	
R EA3.10.6535	CLEAT	1	L73 x 18 SWG	
R EA3.10.6519	PANEL, skin, starboard	1	L72 x 20 SWG	
R EA3.10.6521	PANEL, skin, port	1	L72 x 20 SWG	
R EA3.10.6533	STRAP, butt, 10.5" approx.	1	L73 x 18 SWG	
R EA3.10.6527	STRINGER, port, outboard (Make from EEDX68, Ref.26FZ/4475, 19" long approx.)	1	EEDX68	
R EA3.10.6525	STRINGER, port, inboard, (Make from EEDX68, Ref.26FZ/4475, 28" long approx.)	1	EEDX68	
R EA3.10.6523	STRINGER, centre (Make from EEDX68, Ref.26FZ/4475, 28" long approx.)	1	EEDX68	
R EA3.10.6531	STRINGER, starboard, outboard, (Make from EEDX68, Ref.26FZ/4475, 19" long approx.)	1	EEDX68	
R EA3.10.6529	STRINGER, starboard, inboard, (Make from EEDX68, Ref.26FZ/4475, 28" long approx.)	1	EEDX68	
R EA3.10.2373	PANEL, skin, starboard (Pre Mod.5223)	1	—	
R EA3.10.2371	PANEL, skin, port (Pre Mod.5223)	1	—	
R EA1.10.829	PLUG, drain, assembly Consisting of:	1	—	KB7/6
EA1.10.827	HOUSING	1	L40	KB7/7
SP90E6	PIN, split (Pre Alt. R60/48)	1	—	KB7/8
ANGUS				
OR.12	RING, sealing	1	—	KB7/9
EA1.10.825	SCREW, special	1	L40	KB7/10

AP101B-0402-3A

FUSELAGE  
FRONT FUSELAGE

Part Number	1 2 3 4 5 6	Description	No. Off	Mati. Spec.	Plate No.
EA3.10.9	. . . . .	STRUCTURE, MAIN FLOOR PRESSURE CABIN KEEL UNIT, ASSEMBLY	—	—	KB7/11
EA3.10.2383	. . . . .	Spares for: BOLT, special, bracket mounting	4	S11	KB7/12
EA1.10.217 or EA1.10.219	. . . . .	BRACKET MOUNTING, NOSEWHEEL PIVOT SHAFT, ASSEMBLY, L.H.	1	—	KB7/13
EA1.10.218 or EA1.10.220	. . . . .	BRACKET MOUNTING, NOSEWHEEL PIVOT SHAFT, ASSEMBLY, R.H.	1	—	KB7/24
EA1.10.2685	. . . . .	Spares for: CAP	1	—	KB7/14
A26/15J	. . . . .	Attaching parts for EA1.10.2685: Bolt	2	—	KB7/15
A27JS	. . . . .	Nut	2	—	KB7/16
SP90C7	. . . . .	Pin, split	2	—	KB7/17
EA3.10.2793	. . . . .	Washer	2	L65	KB7/18
SP21	. . . . .	NIPPLE	1	—	KB7/19
EA1.10.217A	. . . . .	SPIGOT	1	S96	KB7/20
A25/4E	. . . . .	Attaching parts for EA1.10.217 or EA1.10.218: Bolt, ¼" BSF	10	—	KB7/21
A25/6E	. . . . .	Bolt, ¼" BSF	2	—	KB7/22
EA3.10.2383	. . . . .	Bolt, special	2	S11	KB7/23
EA3.10.37	. . . . .	BULKHEAD, PRESSURE, ASSEMBLY	—	—	KB7/25
EA9.10.5091	. . . . .	Spares for: BRACKET, FORWARD LATCH ASSEMBLY (MOD.2183)	1	—	KB7/26
EA3.10.1739	. . . . .	Spares for: BLOCK	1	—	KB7/27
A25/25E	. . . . .	Attaching parts for EA3.10.1739: Bolt, ¼" BSF	2	—	KB7/28
A27ET	. . . . .	Nut, ¼" BSF	2	—	KB7/29
AS2811/6/135	. . . . .	Tube, distance	2	L62	KB7/30
EA1.10.1429	. . . . .	PLATE	1	—	KB7/31
A45C16	. . . . .	Attaching parts for EA1.10.1429: Screw, 2BA	2	—	KB7/32
EA1.10.1431	. . . . .	Shim	QR	—	KB7/33
EA9.10.5093	. . . . .	PLATE, side	1	—	KB7/26A
EA9.10.5095	. . . . .	PLATE, side	1	—	KB7/26B
EB6.80.5949	. . . . .	BRACKET, TRIP ROD, BOMB AIMER'S SEAT, INSTALLATION (MOD.4058)	—	—	
EB6.80.5947	. . . . .	BRACKET, TRIP ROD, NAVIGATOR'S SEAT (MOD.4058)	—	—	
EB6.80.5951	. . . . .	Spares for: BRACKET	1	L65	
EB6.80.5955	. . . . .	BRACKET	3	L65	
EA3.10.6335	. . . . .	BRACKET, torque switch (Mod.3960)	1	—	
NORMALAIR 504600	. . . . .	CONNECTOR, ground pressurising (Mod.632)	1	—	KB7/34
EEAS69/2	. . . . .	GASKET, sealing	2	—	KB7/34B
EA1.81.943	. . . . .	STUD, mounting, assembly	8	—	KB7/35
EA3.81.1165	. . . . .	STUD, mounting, assembly	2	—	KB7/36
EA1.10.231	. . . . .	BUSH	1	DTD127	KB7/37

FUSELAGE  
FRONT FUSELAGE

Part Number	Description	No. Off	Matl. Spec.	Plate No.
EA1.10.621	. . . . . STRINGER, port (Pre Mod.5223)	1	—	
EA1.10.619	. . . . . STRINGER, port, inboard (Pre Mod.5223)	1	—	
EA1.10.617	. . . . . STRINGER, centre (Pre Mod.5223)	1	—	
EA1.10.622	. . . . . STRINGER, starboard, outboard (Pre Mod.5223)	1	—	
EA1.10.620	. . . . . STRINGER, starboard, inboard (Pre Mod.5223)	1	—	
EA3.10.2381	. . . . . WINDOW, aerial (Pre Mod.5223)	1	—	
EA3.10.2901	. . . NOSE, PERSPEX, ASSEMBLY (Mod.262)	1	—	KB10/1
	Consisting of:			
AS1242/9C	. . . . . BOLT, 2BA	128	—	KB10/2
AS1242/10C	. . . . . BOLT, 2BA	7	—	KB10/3
EA2.10.1501	. . . . . BUSH, nose fixing, bolt	34	Natural Rubber	KB10/4
EA2.10.659	. . . . . BUSH, nose fixing, bolt (Make from Ref.4166)	64	Natural Rubber	KB10/5
EA3.10.2899	. . . . . NOSE, perspex	1	—	KB10/6
AGS2001C1/66	. . . . . NUT, 2BA	135	—	KB10/7
EA2.10.653	. . . . . RING, half, retaining, window, inner seal	1	L72	KB10/8
EA2.10.655	. . . . . RING, half, retaining, window, inner seal	1	L72	KB10/9
EA2.10.1601	. . . . . RING, half, retaining, window, seal	1	L72	KB10/10
EA2.10.1603	. . . . . RING, half, retaining, window, seal	1	L72	KB10/11
EA2.10.685	. . . . . RING, rubber, inner seal	1	HRC	KB10/12
EA2.10.1503	. . . . . RING, rubber, window seal	1	HRC	KB10/13
EA2.10.665	. . . . . STRAP, joint, assembly	4	—	KB10/14
EA2.10.657	. . . . . STRIP, sealing	1	Natural Rubber	KB10/15
EA2.10.661	. . . . . STRIP, inner, retaining, ring seal	1	Natural Rubber	KB10/16
EA2.10.687	. . . . . WINDOW, observation, bomb aimer's	1	Triplex	KB10/17

R  
R  
R  
R  
R  
R

AP101B-0402-3A

FUSELAGE  
FRONT FUSELAGE

Part Number	Description	No. Off	Mati. Spec.	Plate No.
EA1.10.1131	. . . PIECE, distance	21	T4	KB5/55
EA1.10.1133	. . . PIECE, distance	13	T4	KB5/56
EA3.10.1509	. . . PLATE, backing, door seal, forward, upper	1	—	
EA3.10.1510	. . . PLATE, backing, door seal, aft, upper	1	—	
EA3.10.1511	. . . PLATE, backing, door seal, forward, lower	1	—	
EA3.10.1512	. . . PLATE, backing, door seal, aft, lower	1	—	
EA3.10.3007	. . . PLATE, nut for navigator's lamp, mounting bracket (Pre Mod.3423)	1	—	
EA3.10.3821	. . . PLATE, nut (Mod.3423)	1	—	
EA3.10.3247	. . . PLATE, pressure hinge assembly	1	—	
EA3.10.3817	. . . SCREW, special (Make from EEAS1/4½E)	2	—	
EA3.10.2917	. . . SCREW, special, securing navigator's hatch (Pre Mod.5097)	68	—	KB5/57
EA3.10.153	. . . SEAL, inner, rubber, navigator's window	1	Natural Rubber	KB11/17
EA3.10.155	. . . SEAL, outer, rubber, navigator's window	1	Natural Rubber	KB11/18
EA3.10.549	. . . SEAL, pressure, navigator's escape hatch	1	BTR8853	KB5/58
EA1.10.1171	. . . SEAL, door, pressure cabin entrance	1	BTR8853	KB3/51

R

## FUSELAGE

## FRONT FUSELAGE

Part Number	1 2 3 4 5 6	Description	No. Off	Mtl. Spec.	Plate No.
EA3.10.5		SKINNING, STRUCTURE, PRESSURE CABIN, ASSEMBLY Spares for:	—	—	
EA3.10.7		STRUCTURE, PRESSURE CABIN, ASSEMBLY Spares for:	—	—	
EA1.10.887		BEARER, hinge, main entrance door	2	S96	
EA1.10.889		BEARER, hinge, main entrance door	2	S96	
EA1.10.43		FRAME NO.4, PORT, ASSEMBLY Spares for:	1	—	
EA1.10.383		BRACKET, attachment, coupe	1	—	
EA3.10.27		FRAME NO.8, port	1	—	
EA1.10.45		FRAME NO.4, starboard, assembly	1	—	
EA1.10.384		BRACKET, attachment, coupe	1	—	
R EA3.10.279		FRAME, 7A, port assembly (Alt R60/88 R1)	1	—	
R EA3.10.281		FRAME, 8A, port assembly (Alt R60/88 R1)	1	—	
R EA3.10.282		FRAME, 8A, starboard assembly (Alt R60/88 R1)	1	—	
R EA3.10.283		FRAME, 9A, port assembly (Alt R60/88 R1)	1	—	
R EA3.10.284		FRAME, 9A, starboard assembly (Alt R60/88 R1)	1	—	
EA3.10.2931		HINGE, CASTING, ASSEMBLY, AFT, MAIN ENTRANCE DOOR (PRE MOD.5028)	1	—	
EA3.10.1815		HINGE, CASTING, ASSEMBLY, AFT, MAIN ENTRANCE DOOR (MOD.5028) Spares for:	1	—	
SKEFCO CBS3		BEARING, ballrace	4	—	
EA1.10.1441		BOLT, guide	1	—	
EA3.10.2925		CAP, end, sealing	1	—	
A27CT		NUT, lock, 2BA	1	—	
EA3.10.2927		TUBE, distance	2	—	
EA1.10.1439		HINGE, CASTING, ASSEMBLY, FORWARD, MAIN ENTRANCE DOOR (PRE MOD.5028)	1	—	
EA3.10.1813		HINGE, CASTING, ASSEMBLY, FORWARD, MAIN ENTRANCE DOOR (MOD.5028) Spares for:	1	—	
SKEFCO CBS3		BEARING, ballrace	4	—	
EA1.10.1441		BOLT, guide	1	—	
EA3.10.2925		CAP, end, sealing	1	—	
A27CT		NUT, lock, 2BA	1	—	
EA3.10.2927		TUBE, distance	2	—	
EA1.10.1155		HINGE, RELEASE, MECHANISM, ASSEMBLY, MAIN ENTRANCE DOOR Spares for:	1	—	
EA1.10.869		BRACKET	1	—	
EA1.10.881		COLLAR, aft	1	—	
EA1.10.1437		COLLAR, forward	1	—	
EA1.10.871		SHAFT	1	—	
EA1.10.877		SLEEVE, locating	1	—	
EA3.10.2827		SPINDLE, worm (Mod.603)	1	—	
EA1.10.875		WHEEL, worm	—	—	

AP101B-0402-3A

FUSELAGE  
FRONT FUSELAGE

Part Number	Description	No. Off	Matl. Spec.	Plate No.
EA3.10.13	SKINNING, STRUCTURE, PRESSURE BULKHEAD TO FRAME 12, ASSEMBLY	—	—	KB8/1
EA1.10.187	Spares for: DOOR, ACCESS, VHF MAIN ELECTRICAL PANEL AND GROUND/FLIGHT SWITCH, ASSEMBLY (Supplied to Pt. No. EA3.00.151 for spares purposes)	2	—	KB8/2
EA1.10.177	Spares for: GUIDE, rod	3	—	KB8/4A
AS2850	LOCK, L.H. FLUSH TYPE, ASSEMBLY	1	—	KB8/3
AS5382	Spares for: BOLT, pivot	1	—	KB8/4B
AS2558	BUTTON, pressure, seal	1	—	KB8/5
AS2528	BUTTON, push outer	1	—	KB8/5A
AS2552	HANDLE, single handle lock	1	—	KB8/6
FGS50	KEY	1	—	
R	or			
R	FFE4			
AS2532	PLATE, catch	1	—	KB8/7
AS2530	PLATE, centre push button	1	—	KB8/7A
AS2559	SEAL, handle	1	—	KB8/8
AS5381	SEAL, push button	1	—	KB8/9
AS2534	SPRING, for catch	1	—	KB8/10
AS2556	STUD, spring	1	—	KB8/11
A33B12	Attaching parts for AS2850: Screw, 4BA	11	—	KB8/13
EA1.10.2503	RING, packing	1	—	KB8/12
EA1.10.185	ROD, lock, lower, assembly	1	—	
EA1.10.183	ROD, lock, upper, assembly	1	—	KB8/4
EA1.10.181	ROD, lock, vertical, assembly	1	—	
EA1.10.1815	STAY, door	1	—	KB8/14
EA3.10.2805	STOWAGE, SUPPORT STRUT, VHF DOORS ASSEMBLY	1	—	KB8/15
EA3.10.2809	Spares for: PLATE, stiffening	1	L73	KB8/16
AGS2001B1	Attaching parts for EA3.10.2809: Nut, 4BA	1	—	KB8/17
A33B16	Screw, csk. head, 4BA	1	—	KB8/18
EA3.10.2807	STRAP	1	—	KB8/19
EA1.10.1033	PLUG, forward jacking, point housing	1	—	KB8/20
EEAS1/3C	SCREW, 2BA	24	—	KB8/21

FUSELAGE  
FRONT FUSELAGE

Part Number	1 2 3 4 5 6	Description	No. Off	Matl. Spec.	Plate No.
EA3.10.15	. . . . .	STRUCTURE, PRESSURE BULKHEAD TO FRAME 12, ASSEMBLY	-	-	KB8/22
		Spares for:			
EB6.10.279	. . . . .	BRACKET, angle	2	-	KB8/22A
		Attaching parts for EB6.10.279:			
A25/1E	. . . . .	Bolt, 1/4" BSF	2	-	KB8/22B
EA1.10.55	. . . . .	FRAME 12A, ASSEMBLY	-	-	KB8/23
		Spares for:			
EA9.10.4545	. . . . .	BEAM, CENTRE, VERTICAL, PORT (MOD.1740)	1	-	
EA1.10.70	. . . . .	BEAM, CENTRE, VERTICAL, STARBOARD (PRE MOD.856)	1	-	
EA3.10.3206	. . . . .	BEAM, CENTRE, VERTICAL, STARBOARD (MOD.856)	1	-	
		Spares for: (Repair)			
ASD292RS1	. . . . .	ANGLE, inner joint (Make from EEJ270, Ref.7109)	1	-	
ASD292RS5P	. . . . .	INSERTION, channel, port (Make from EA3.10.3197, Ref.22325)	1	-	
ASD292RS5S	. . . . .	INSERTION, channel, starboard (Make from EA3.10.3199, Ref.22326)	1	-	
ASD292RS6P	. . . . .	INSERTION, plate, reinforcing, port (Make from EA9.10.4439) (Mod.1740)	1	L73	
ASD292RS6S	. . . . .	INSERTION, plate, reinforcing, starboard (Make from EA3.10.3203, Ref.22328 or 30B/9611240)	1	L73	
ASD292RS4S	. . . . .	STRAP, joint, forward, outer, starboard (Pre Mod.856)	1	-	
ASD292RS4P	. . . . .	STRAP, joint, forward, outer, port (Mod.1740)	1	-	
ASD292RS4S	. . . . .	STRAP, joint, forward, outer, starboard (Mod.856)	1	-	
ASD292RS3	. . . . .	STRAP, joint, forward, leveller 14 SWG (Make from Ref.30B/9611242)	1	L73	
ASD292RS2	. . . . .	STRAP, joint, aft, 14 SWG	1	S514	
EA3.71.389	. . . . .	BEAM, mounting, oxygen cylinders	2	-	KB8/24
		Attaching parts for EA3.71.389:			
A25/3C	. . . . .	Bolt, 2BA (upper beam)	8	-	KB8/25
A25/3C	. . . . .	Bolt, 2BA (lower beam)	6	-	KB8/26
A25/10C	. . . . .	Bolt, 2BA (lower beam)	2	-	KB8/27
SP13C	. . . . .	Washer	4	-	KB8/28

AP101B-0402-3A

Page KB.19

FUSELAGE  
FRONT FUSELAGE

Part Number	Description						No. Off	Matl. Spec.	Plate No.	
	1	2	3	4	5	6				
EA1.10.557	.	.	.	.	.	.	BRACKET, strut, pick-up	1	—	KB8/72
EB6.75.699	.	.	.	.	.	.	BRACKET, support, pipe	1	—	KB8/63
EA1.10.1621	.	.	.	.	.	.	BRACKET, door lock, port	1	—	
EA1.10.909	.	.	.	.	.	.	BRACKET, door lock, starboard (Supplied to Part No.EA3.00.596 for spares purposes)	1	—	
EA6.10.775	.	.	.	.	.	.	BRACKET, oxygen cylinder cradle	2	—	
EA3.10.3151	.	.	.	.	.	.	BRACKET, LOCK LEVER, ASSEMBLY, STARBOARD (PRE MOD.1465) Spares for:	1	—	
EA3.10.3133	.	.	.	.	.	.	LEVER, lock, assembly	1	—	
EA3.10.3333 or	.	.	.	.	.	.	BRACKET, LOCK LEVER, ASSEMBLY, STARBOARD (MOD.1465)	1	—	KB8/29
EK5.10.805	.	.	.	.	.	.	BRACKET, LOCK LEVER, ASSEMBLY, STARBOARD (ALT. R60/15 – MOD.5097) Spares for:	1	—	
EA3.10.3150 or	.	.	.	.	.	.	BRACKET	1	—	KB8/30
EK5.10.808	.	.	.	.	.	.	BRACKET (Alt. R60/15 – Mod.5097)	1	—	
EA3.10.3335	.	.	.	.	.	.	LEVER, LOCK ASSEMBLY Spares for:	1	—	KB8/31
EA3.10.3349	.	.	.	.	.	.	FORK-END	1	—	KB8/32
EA3.10.3337	.	.	.	.	.	.	LEVER	1	—	KB8/33
SP21	.	.	.	.	.	.	NIPPLE, grease	1	—	KB8/34
EA3.10.3099	.	.	.	.	.	.	NUT, special	1	—	KB8/35
A27ES	.	.	.	.	.	.	NUT, 1/2" BSF	1	—	KB8/36
EA3.10.3351	.	.	.	.	.	.	PIN	1	—	KB8/37
SP90C7	.	.	.	.	.	.	PIN, split	1	—	KB8/38
EA3.10.3347	.	.	.	.	.	.	ROLLER	1	—	KB8/39
EA3.10.3339	.	.	.	.	.	.	SHIM	2	—	KB8/40
SP15E	.	.	.	.	.	.	WASHER	1	—	KB8/41
EA3.10.3219	.	.	.	.	.	.	Attaching parts for EA3.10.3335: Bolt, special	1	—	KB8/42
A27GS	.	.	.	.	.	.	Nut, 5/16" BSF	1	—	KB8/43
SP90C7	.	.	.	.	.	.	Pin, split	1	—	KB8/44
EA1.10.1407	.	.	.	.	.	.	Washer, spacing	1	—	KB8/45
SP15G	.	.	.	.	.	.	Washer	1	—	KB8/46
EA3.71.403	.	.	.	.	.	.	BRACKET, oxygen mounting beam Attaching parts for EA3.71.403:	7	—	KB8/47
A25/3C	.	.	.	.	.	.	Bolt, 2BA (As required)	4	—	KB8/48
A25/9C	.	.	.	.	.	.	Bolt, 2BA (As required)	4	—	KB8/49
A25/11C	.	.	.	.	.	.	Bolt, 2BA (As required)	4	—	KB8/50
AGS2001C1/66	.	.	.	.	.	.	Nut, 2BA	4	—	KB8/51
AS2811/5/07	.	.	.	.	.	.	Tube, distance (As required)	4	L62	KB8/52
SP16C	.	.	.	.	.	.	Washer (As required)	4	—	KB8/53
EA3.10.6571	.	.	.	.	.	.	BRACKET (PRE MOD.5097) (Still used on aircraft with front fuselage married up)	1	—	
EA1.10.1179	.	.	.	.	.	.	BRACKET (Alt. R60/301, Mod.5097) (Used on aircraft with front fuselage de-married)	1	—	

R

FUSELAGE  
FRONT FUSELAGE

Part Number	1 2 3 4 5 6	Description	No. Off	Matl. Spec.	Plate No.
EA3.10.2447	. . . . .	GUARD, assembly	1	—	KB8/54
EA3.10.3353	. . . . .	GUARD, lock lever, assembly	1	—	KB8/55
A32C16	. . . . .	Attaching parts for EA3.10.2447 and EA3.10.3353: Screw, 2BA	4	—	KB8/56
EA3.00.873	. . . . .	GUIDE, roller, port	1	—	KB8/57
EA3.00.874	. . . . .	GUIDE, roller, starboard	1	—	KB8/58
A25/2C	. . . . .	Attaching parts for EA3.00.873 and EA3.00.874: Bolt, 2BA	19	—	KB8/59
AGS2001C1/66	. . . . .	Nut, 2BA	19	—	KB8/60
SP13C	. . . . .	Washer	19	—	KB8/61
R —	. . . . .	INSTALLATION OF ATTACHMENT LUG BOLTS (EA3.10.6573) Spares for:	—	—	
R EA1.10.1177	. . . . .	PLATE, tie (Pre Mod.5097)	1	—	
R EA3.10.6575	. . . . .	PLATE, tie (Mod.5097) (Alt. R60/301)	1	—	
R EA3.10.2455	. . . . .	PLATE, reinforcing (Pre Mod.5097)	1	—	
R EA3.10.6577	. . . . .	PLATE, reinforcing (Mod.5097, Alt. R60/301)	1	—	
R EA6.10.1815	. . . . .	PLATE, reinforcing (Pre Mod.5097)	1	—	
R EA3.10.6579	. . . . .	PLATE, nut (Mod.5097 - Alt. R60/301)	1	—	
R AS1242/2C	. . . . .	Attaching parts: Bolt, 2BA	3	—	
R AGS2019C1	. . . . .	Nut	3	—	
EA3.10.3161	. . . . .	LEVER, LOCK, NOSE UNDERCARRIAGE PORT, ASSEMBLY	1	—	KB8/62
or EK5.10.803	. . . . .	LEVER, LOCK, NOSE UNDERCARRIAGE PORT, ASSEMBLY (ALT. R60/15 - MOD.5097)	1	—	
R EA3.10.3149	. . . . .	Spares for: BRACKET	1	—	KB8/63
or EK5.10.807	. . . . .	BRACKET (Alt. R60/15 - Mod.5097)	1	—	
EA3.10.3159	. . . . .	LEVER, assembly	1	—	KB8/64
EA3.10.3219	. . . . .	Attaching parts for EA3.10.3159: Bolt, shouldered	1	—	KB8/65
A27GS	. . . . .	Nut, 5/16" BSF	1	—	KB8/66
SP90C7	. . . . .	Pin, split	1	—	KB8/67
EA1.10.1407	. . . . .	Washer, spacing	1	—	KB8/68
SP15G	. . . . .	Washer	1	—	KB8/69
R EA1.10.61	. . . . .	LUG, attachment (Pre Alt. R60/301)	6	—	
EA3.10.6539	. . . . .	LUG, attachment (Alt. R60/301)	6	—	
EA6.10.1091	. . . . .	PLATE, joint, bottom half joint ring	1	—	
EA1.10.1697	. . . . .	PLATE, joint, boundary angle to diaphragm, port	1	—	KA8/70
EA1.10.1698	. . . . .	PLATE, joint, boundary angle to diaphragm, starboard	1	—	KA8/71
EA1.10.771	. . . . .	HOUSING, spigot	1	—	KB8/74
A25/3E	. . . . .	Attaching parts for EA1.10.771: Bolt, 1/4" BSF	8	—	KB8/75
EA3.10.3223	. . . . .	STRUT, bracing	2	—	KB8/72A
A25/6E	. . . . .	Attaching parts for EA3.10.3223: Bolt, 1/4" BSF	2	—	KB8/72B
A27EP	. . . . .	Nut, 1/4" BSF	2	—	KB8/72C
SP15E	. . . . .	Washer	1	—	KB8/72D
SP16E	. . . . .	Washer	1	—	KB8/72E

AP101B-0402-3A

FUSELAGE  
FRONT FUSELAGE

Page KB.21

Part Number	Description	No. Off	Matl. Spec.	Plate No.
EA1.10.1345	. . . SOCKET, front, frame, entrance door bolt	1	—	
EA1.10.1347	. . . SOCKET, rear, frame, entrance door bolt	1	—	
	Attaching parts for EA1.10.1345 and EA1.10.1347:			
AS1242/4C	. . . Bolt, 2BA	2	—	
AS1242/5C	. . . Bolt, 2BA	2	—	
AGS2001C1/66	. . . Nut, 2BA	4	—	
DZUS S4/250	. . . SPRING, fastener, hydraulic reservoir access door	6	—	KB11/20
EA3.10.3255	. . . STRAP, main door jettison handle stowage	1	—	KB3/52
EA3.10.1091	. . . STRUCTURE, NOSE, FORWARD OF FRAME 1, ASSEMBLY	1	—	KB11/1
EA3.04.13865	. . . STRUCTURE, NOSE, FORWARD OF FRAME 1, ASSEMBLY (MOD.4013 – S.O.O.) Spares for:	1	—	
EA3.10.983	. . . BUSH, rubber, window fixing screw	20	—	KB11/2
EA2.10.477	. . . FRAME, seal retaining	1	—	KB11/3
EA3.10.1583	. . . PANEL, access to air drier tube	1	—	KB11/5
EA3.10.6507	. . . PLUG, drain, at frame 1, installation (Alt. R60/43) Spares for:	—	—	
EA1.10.829	. . . PLUG, drain, assembly Spares for:	1	—	KB11/30
EA1.10.827	. . . HOUSING	1	—	KB11/31
ANGUS				
O/R.12	. . . RING, sealing	1	—	KB11/32
EA1.10.825	. . . SCREW, special	1	—	KB11/33
EA2.10.473	. . . SEAL, rubber	1	—	KB11/6
EA2.10.475	. . . SEAL, rubber	1	—	KB11/7
9/4376	. . . STOWAGE, plug electrical	1	—	KB11/8
9/3573	. . . STOWAGE, air pressure	1	—	KB11/9
9/3564	. . . STOWAGE, computer input	2	—	KB11/10
9/3572	. . . STOWAGE, flexible drive	4	—	KB11/4
9/4372	. . . STOWAGE, gyro (Pre Mod.4013)	2	—	KB11/4A
EC1.81.667	. . . STOWAGE, plug (Make from Ref. 10H/0970054) (Mod.4013) (Pre Mod.5081)	1	—	KB11/11
EC1.81.669	. . . STOWAGE, plug (Make from Ref. 10H/0970053) (Mod.4013) (Pre Mod.5081)	1	—	KB11/12
9/3563	. . . STOWAGE, pitot and static	2	—	KB11/13
EA2.10.471	. . . WINDOW, bomb aimer's	1	—	KB11/14
EA1.20.1033	. . . WASHER, special	16	—	KB6/64
EA3.10.3023	. . . WASHER, sealing, for escape hatch pivot	2	—	KB5/59
EA3.10.361	. . . WINDOW, navigator's c/w valve	1	—	KB11/15

R

FUSELAGE  
FRONT FUSELAGE

Part Number	Description	No. Off	Matl. Spec.	Plate No.
EA1.45.749	. GEAR, EMERGENCY RELEASE MECHANISM BOMB DOOR AND UNDERCARRIAGE	—	—	KB9/1
EA1.45.815	. . BRACKET AND HANDLE AT FRAMES 1 AND 2, ASSEMBLY Spares for:	—	—	KB9/2
EA1.45.1041	. . . BRACKET, bottom, frame 1	1	—	KB9/3
EA2.45.201	. . . BRACKET, top, frame 1	1	—	KB9/4
EA1.45.831	. . . BRACKET, bottom, frame 2	1	—	KB9/5
EA1.45.829	. . . BRACKET, top, frame 2	1	—	KB9/6
	Attaching parts for EA1.45.1041, EA2.45.201, EA1.45.831 and EA1.45.829:			
A25/1C	. . . Bolt, 2BA	3	—	KB9/7
AGS2001C1/66	. . . Nut, 2BA	3	—	KB9/8
SP15C	. . . Washer	3	—	KB9/9
EA3.45.633	. . . HANDLE, operating (Mod.5220) Attaching parts for EA3.45.633:	1	—	KB9/10
A25/1C	. . . Bolt, 2BA	4	—	KB9/11
SP15C	. . . Washer	4	—	KB9/12
AS1151	. . . PULLEY, shrouded	2	—	KB9/13
or AS107	. . . PULLEY, shrouded Attaching parts for AS107 or AS1151:	2	—	
A25/8E	. . . Bolt, 1/4" BSF	1	—	KB9/14
AGS2001E1/66	. . . Nut, 1/4" BSF	1	—	KB9/15
SP16E	. . . Washer	1	—	KB9/16
EA1.45.813	. . BRACKET AND LEVER AT FRAME 4, ASSEMBLY Spares for:	—	—	KB9/17
EA1.45.875	. . . BRACKET, bottom, inboard	1	—	KB9/18
EA1.45.877	. . . BRACKET, bottom, outboard	1	—	KB9/19
EA1.45.871	. . . BRACKET, top, inboard	1	—	KB9/20
EA1.45.873	. . . BRACKET, top, outboard	1	—	KB9/21
	Attaching parts for EA1.45.875, EA1.45.877, EA1.45.871 and EA1.45.873:			
AS1242/1C	. . . Bolt, 2BA (As required)	1	—	KB9/22
A25/1C	. . . Bolt 2BA (As required)	11	—	KB9/23
AGS2001C1/66	. . . Nut, 2BA (As required)	12	—	KB9/24
SP15C	. . . Washer (As required)	12	—	KB9/25

R

AP101B-0402-3A

Page KB.23

FUSELAGE  
FRONT FUSELAGE

Part Number	1 2 3 4 5 6	Description	No. Off	Matl. Spec.	Plate No.
EA1.45.883	. . .	FAIRLEAD	1	-	KB9/26
		Attaching parts for EA1.45.883:			
A25/6C	. . .	Bolt, 2BA	2	-	KB9/27
AGS2001C1/66	. . .	Nut, 2BA	2	-	KB9/28
EA3.45.295	. . .	LEVER, assembly (Mod.306)	1	-	KB9/29
		Attaching parts for EA3.45.295:			
A25/3E	. . .	Bolt, 1/4" BSF	1	-	KB9/30
AGS2001E1/66	. . .	Nut, 1/4" BSF	1	-	KB9/31
SP16E	. . .	Washer	1	-	KB9/32
EEAS15/75/150ER	. . .	PLATE, link, lower	2	-	KB9/33
		Attaching parts, link to cable:			
AGS899/1	. . .	Collar	1	-	KB9/33A
SP4Y/A14	. . .	Pin, shackle	1	-	KB9/33B
SP90C4	. . .	Pin, split	1	-	KB9/33C
AS2811/5/025	. . .	Tube, distance, 17 SWG	2	L62	KB9/33D
EA1.45.909	. . .	PLATE, link, upper	2	-	KB9/34
		Attaching parts for EA1.45.909:			
AGS899/2	. . .	Collar	1	-	KB9/35
SP4Y/B14	. . .	Pin	1	-	KB9/36
SP90C4	. . .	Pin, split	1	-	KB9/36A
EA1.45.1317	. . .	Tube, distance	2	-	KB9/37
AS107	. . .	PULLEY, shrouded	2	-	KB9/38
or					
AS1151	. . .	PULLEY, shrouded	2	-	
		Attaching parts for AS107 or AS1151:			
A25/8E	. . .	Bolt, 1/4" BSF (As required)	1	-	KB9/39
A25/9E	. . .	Bolt, 1/4" BSF (As required)	1	-	KB9/40
AGS2001E1/66	. . .	Nut, 1/4" BSF	1	-	KB9/41
SP16E	. . .	Washer	1	-	KB9/42
EA1.45.1055	. . .	SECTOR, locking, quadrant	1	-	

R

FUSELAGE  
FRONT FUSELAGE

Part Number	Description	No. Off	Matl. Spec.	Plate No.
EA3.45.275	. . CABLES BOMB DOOR AND UNDERCARRIAGE, ASSEMBLY (MOD.306) Spares for:	1	—	KB9/43
EA2.45.413	. . . BARREL, pressure seal	1	—	KB9/44
AGS.2030/147	. . . CIRCLIP, 47/64" bore, internal	1	—	KB9/45
EA1.45.1129	. . . ROLLER, aft end bomb door	1	—	KB9/46
SP8Y13	. . . ROLLER	3	—	KB9/47
EA1.45.889	. . . WASHER, felt, pressure seal	7	—	KB9/48
EA1.45.891	. . . WASHER, retaining, pressure seal	1	—	KB9/49
EA3.45.275A	. . . WIRE, flexible, steel, bomb door	1	6W2/4	KB9/50
EA3.45.275B	. . . WIRE, flexible, steel, undercarriage	1	6W2/4	KB9/51
EA1.45.883	. . FAIRLEAD, frame 3	1	—	KB9/52
EA1.45.881	. . FAIRLEAD, frame 5 to 11 Attaching parts for EA1.45.883 or EA1.45.881:	7	—	KB9/53
A25/6C	. . Bolt, 2BA	2	—	KB9/53A
AGS2001C1/66	. . Nut, 2BA	2	—	KB9/53B
R EA1.45.1121	. . FAIRLEAD, frame 12A Attaching parts for EA1.45.1121:	1	—	KB9/54
AS1242/5B	. . Bolt, 4BA	2	—	KB9/55
AGS2001B1	. . Nut, 4BA	2	—	KB9/56
A33B24	. . Screw, 4BA	2	—	KB9/57
SP15B	. . Washer	2	—	KB9/58
EA2.45.415	. . WASHER, wedge, pressure bulkhead Attaching parts for EA2.45.415:	2	—	KB9/59
A25/10C	. . Bolt, 2BA	2	—	KB9/60
AGS2001C1/66	. . Nut, 2BA	2	—	KB9/61

AP101B-0402-3A

FUSELAGE  
FRONT FUSELAGE

Page KB.25

Part Number	Description	No. Off	Matl. Spec.	Plate No.
EA3.73.205	. HYDRAULIC EQUIPMENT IN FRONT FUSELAGE (See Chapter SH)	—	—	
R EA3.17.5245	. INSULATION, PRESSURE CABIN (Alt. R60/109R1) Spares for:	—	—	KB12/1
R EA3.17.5247	. . . BLANKET	1	—	KB12/2
R EA3.17.5249	. . . BLANKET	1	—	KB12/3
R EA3.17.5251	. . . BLANKET	1	—	KB12/4
R EA3.17.5259	. . . BLANKET	1	—	KB12/5
R EA3.17.5261	. . . BLANKET	1	—	KB12/6
R EA3.17.5263	. . . BLANKET	1	—	KB12/7
R EA3.17.5253	. . . BLANKET	1	—	KB12/8
R EA3.17.5255	. . . BLANKET	1	—	KB12/9
R EA3.17.5265	. . . BLANKET	1	—	KB12/10
R EA3.17.5267	. . . BLANKET	1	—	KB12/11
R EA3.17.5271	. . . BLANKET	1	—	KB12/12
R EA3.17.5269	. . . BLANKET	1	—	KB12/13
R EA3.17.5331	. . . BLANKET	1	—	KB12/14
R EA3.17.5273	. . . BLANKET	1	—	KB12/15
R EA3.17.5275	. . . BLANKET	1	—	KB12/16
R EA3.17.5277	. . . BLANKET	1	—	KB12/17
R EA3.17.5279	. . . BLANKET	1	—	KB12/18
R EA3.17.5281	. . . BLANKET	1	—	KB12/19
R EA3.17.5283	. . . BLANKET	1	—	KB12/20
R EA3.17.5285	. . . BLANKET	1	—	KB12/21
R EA3.17.5287	. . . BLANKET	1	—	KB12/22
R EA3.17.5289	. . . BLANKET	1	—	KB12/23
R EA3.17.5291	. . . BLANKET	1	—	KB12/24
R EA3.17.5293	. . . BLANKET	1	—	KB12/25
R EA3.17.5295	. . . BLANKET	1	—	KB12/26
R EA3.17.5297	. . . BLANKET	1	—	KB12/27
R EA3.17.5299	. . . BLANKET	1	—	KB12/28
R EA3.17.5257	. . . BLANKET	1	—	KB12/29
R EA3.17.5301	. . . BLANKET	1	—	KB12/30
R EA3.17.5303	. . . BLANKET	1	—	KB12/31
R EA3.17.5305	. . . BLANKET	1	—	KB12/32
R EA3.17.5307	. . . BLANKET	1	—	KB12/33
R EA3.17.5309	. . . BLANKET	1	—	KB12/34
R EA3.17.5311	. . . BLANKET	1	—	KB12/35
R EA3.17.5313	. . . BLANKET	1	—	KB12/36
R EA3.17.5315	. . . BLANKET	1	—	KB12/37
R EA3.17.5317	. . . BLANKET	1	—	KB12/38
R EA3.17.5319	. . . BLANKET	1	—	KB12/39
R EA3.17.5321	. . . BLANKET	1	—	KB12/40
R EA3.17.5323	. . . BLANKET	1	—	KB12/41
R EA3.17.5325	. . . BLANKET	1	—	KB12/42
R EA3.17.5327	. . . BLANKET	1	—	KB12/43
R EA3.17.5329	. . . BLANKET	1	—	KB12/44
R EA3.17.5401	. . . BLANKET (MOD.5246)	1	—	
R EA1.17.35	. . . BRACKET, angle	487	—	KB12/45
R EA1.17.39	. . . CLIP	760	—	KB12/46

FUSELAGE  
FRONT FUSELAGE

Part Number	1 2 3 4 5 6	Description	No. Off	Matl. Spec.	Plate No.
EA3.17.5227	.	INSULATION, NAVIGATOR'S ESCAPE HATCH (MOD.4094)	—	—	
		Spares for:			
EA3.17.5229	.	BLANKET	1	—	KB13/1
EA3.17.5231	.	BLANKET	1	—	KB13/2
EA3.17.5233	.	BLANKET	1	—	KB13/3
EA3.17.5235	.	BLANKET	1	—	KB13/4
EA3.17.5237	.	BLANKET	1	—	KB13/5
EA3.17.5239	.	BLANKET	1	—	KB13/6
EG7.17.273	.	BLANKET	2	—	KB13/7
EG7.17.275	.	BLANKET	1	—	KB13/8
EG7.17.277	.	BLANKET	1	—	KB13/9
EG7.17.279	.	BLANKET	1	—	KB13/10
EA1.17.35	.	BRACKET, angle	12	—	KB13/11
EA1.17.39	.	CLIP	140	—	KB13/12
EA1.17.37	.	SPRING	112	—	KB13/13
EA3.17.5335	.	PAD	1	—	KB13/14
EA3.17.5333	.	PAD	1	—	KB13/15
EA3.17.5347	.	PAD	1	—	KB13/16
EA3.17.5337	.	PAD	3	—	KB13/17
EA3.17.5341	.	PAD	1	—	KB13/18
EA3.17.5349	.	PAD	1	—	KB13/19
EA3.17.5345	.	PAD	1	—	KB13/20
EA3.17.5343	.	PAD	1	—	KB13/21
EA3.17.5339	.	PAD	1	—	KB13/22
EB7.17.35	.	PAD	1	—	KB13/23
EB7.17.37	.	PAD	1	—	KB13/24
EA3.17.5385	.	PAD	1	—	KB13/25
EA3.17.5387	.	PAD	1	—	KB13/26
EA1.17.37	.	SPRING	620	—	KB12/48

AP101B-0402-3A

FUSELAGE  
FRONT FUSELAGE

Part Number	Description 1 2 3 4 5 6	No. Off	Matl. Spec.	Plate No.

FUSELAGE  
FRONT FUSELAGE

Part Number	Description	No. Off	Matl. Spec.	Plate No.
EA9.40.1	. NOSEWHEEL (MOD.1740) (See Chapter WC)	-	-	
EA3.71.519	. OXYGEN SYSTEM (MOD.1413) (See Chapter SJ)	-	-	
EA3.71.513	. OXYGEN SYSTEM (MOD.441) (See Chapter SJ)	-	-	
EA3.80.2411	. PITOT AND STATIC SYSTEM (MOD.76) (See Chapter SK)	-	-	
EA3.04.15763	. PITOT AND STATIC SYSTEM (MOD.4013 - S.O.O.) (PRE MOD.5081) (See Chapter SK)	-	-	
EA3.80.2007	. PRESSURE CABIN EQUIPMENT (MOD.76) (See Chapter GA)	-	-	
EA3.82.1	. RADIO AND INTER-COMM (See Chapter R)	-	-	
EA3.10.2845	. TUNNEL, BOMB AIMER'S ASSEMBLY	-	-	KB11/21
EA3.10.2847	. . . . . PLATFORM, BOMB AIMER'S CHEST AND CUSHION ASSEMBLY Spares for:	-	-	KB11/22
EA3.10.2853	. . . . . CUSHION	1	-	KB11/23
EA3.10.2851	. . . . . PLATFORM, BOMB AIMER'S ASSEMBLY Spares for:	1	-	KB11/24
EA3.71.307	. . . . . BRACKET, OXYGEN BOTTLE SUPPORT, ASSEMBLY Spares for:	1	-	KB11/25
EA3.71.313	. . . . . BAND, wire, 16 SWG	1	-	KB11/26
EA3.71.315	. . . . . BAND, wire, 16SWG, c/w clip	-	-	KB11/27
TERRY 80/0	. . . . . CLIP	2	-	KB11/28
TERRY 80/00	. . . . . CLIP	1	-	KB11/29
A25/1C	. . . . . Attaching parts for EA3.10.2851: Bolt, 2BA	3	-	KB11/24A

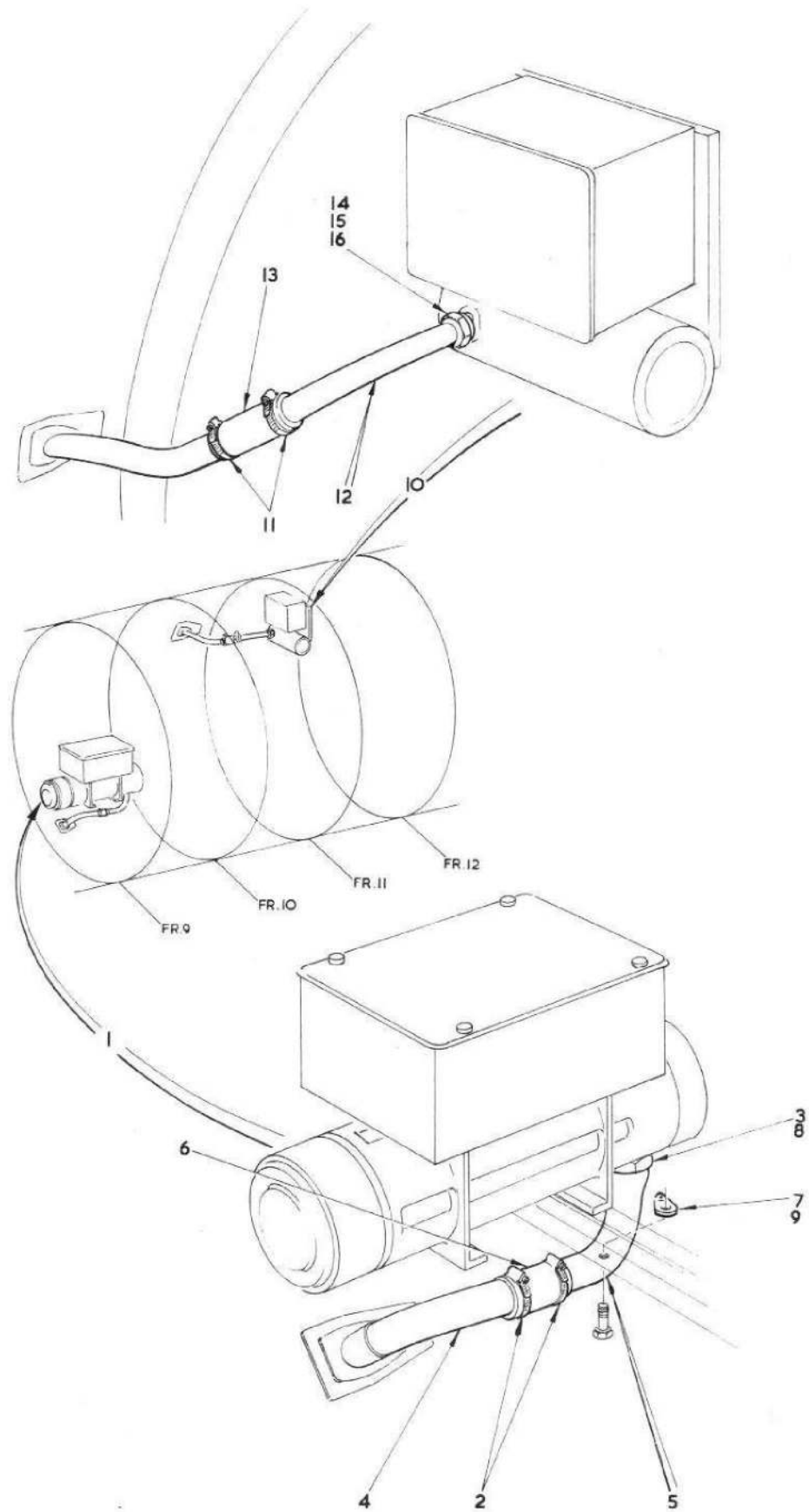


FIG. I FUSELAGE, FRONT FUSELAGE

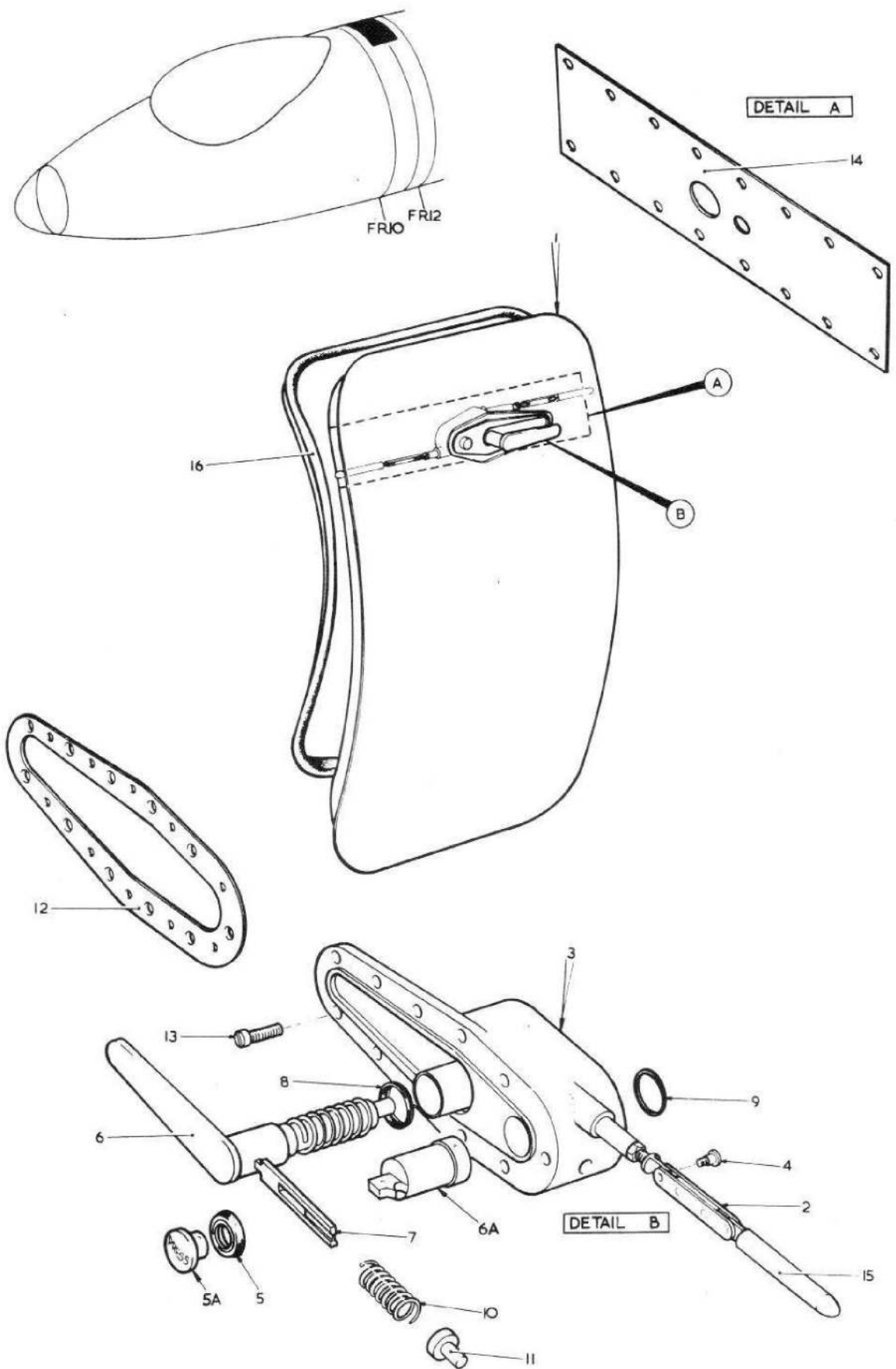


FIG. 2 EQUIPMENT ACCESS DOOR

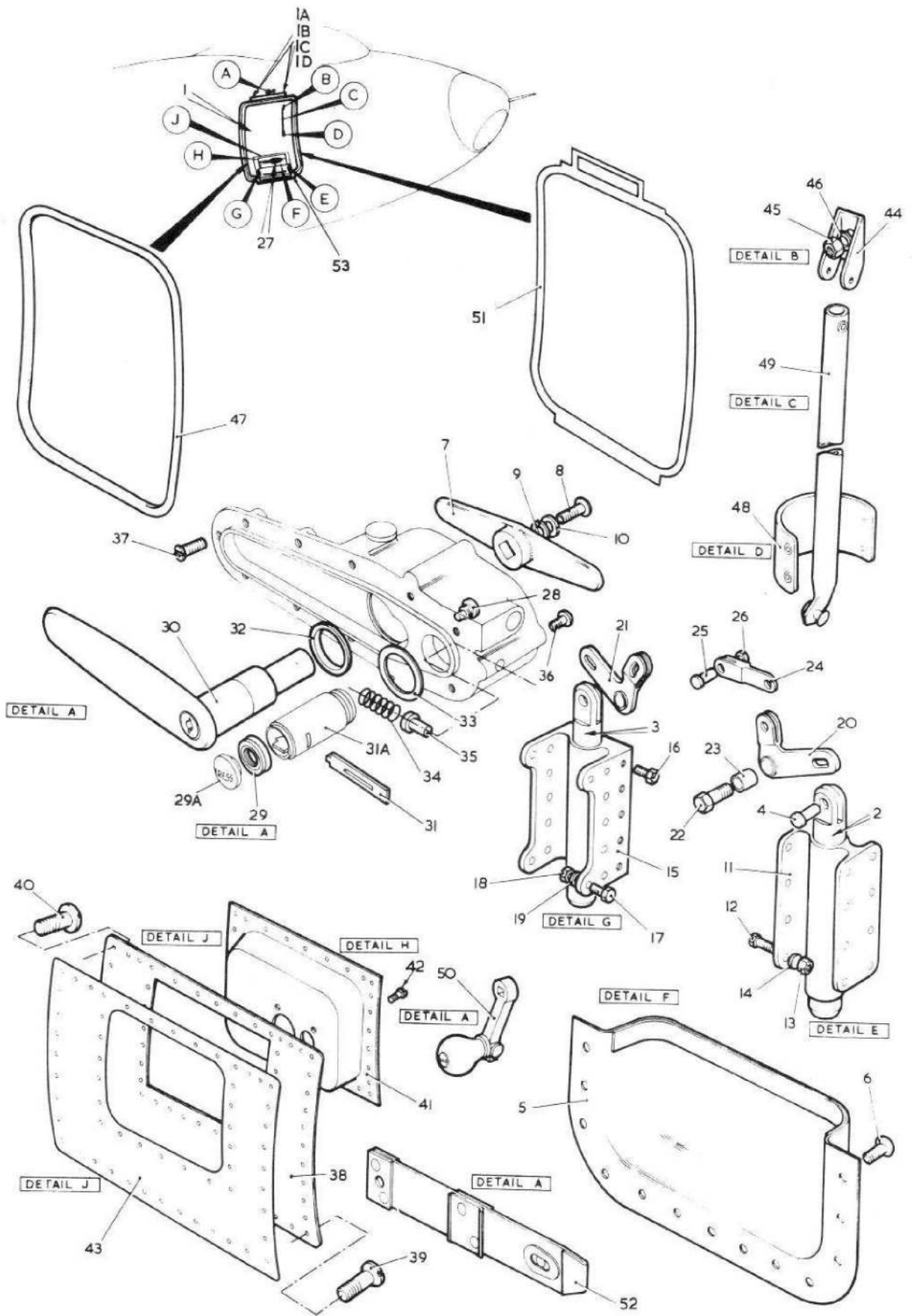


FIG.3. MAIN ENTRANCE DOOR ASSEMBLY



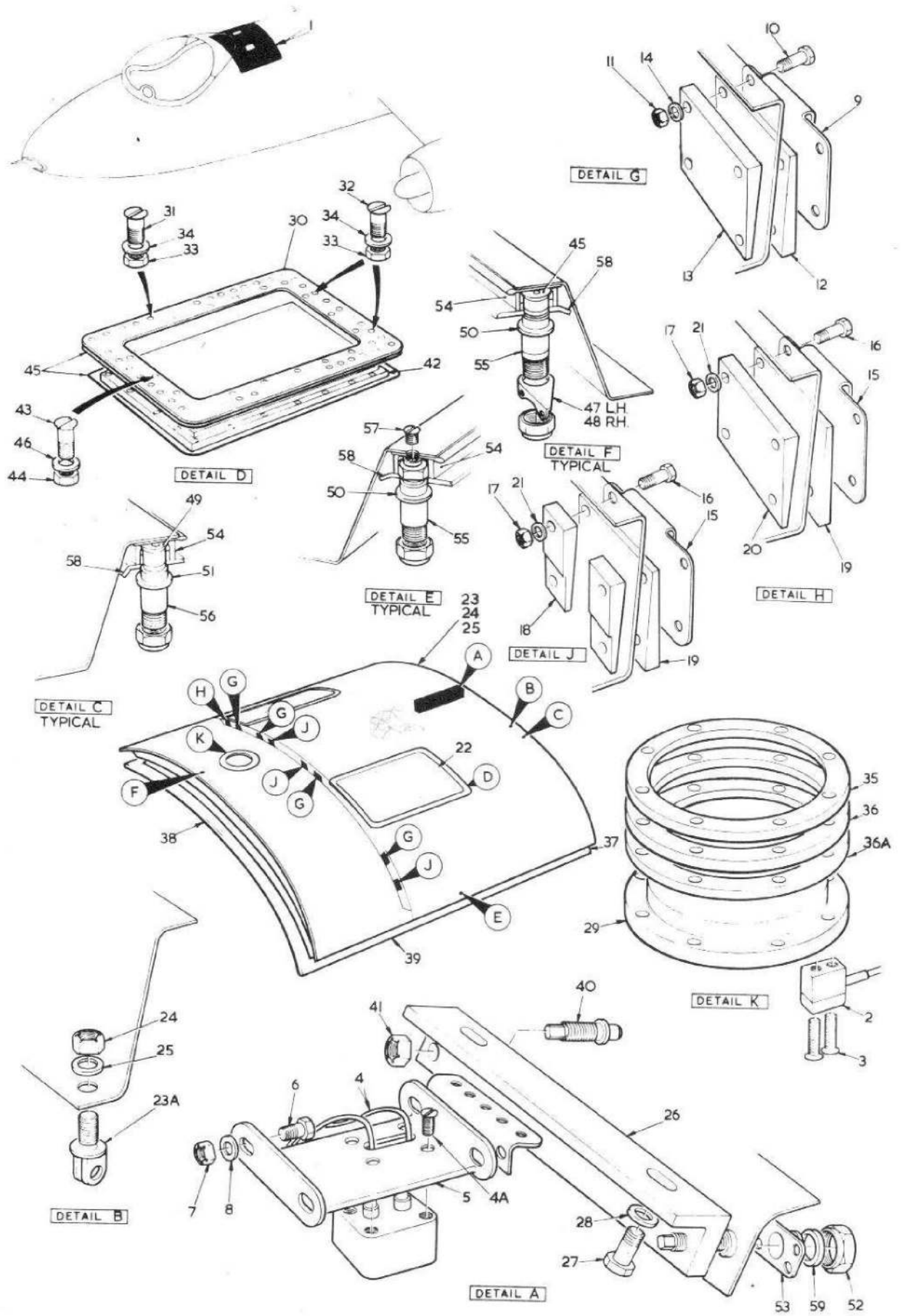


FIG. 5 NAVIGATORS ESCAPE HATCH

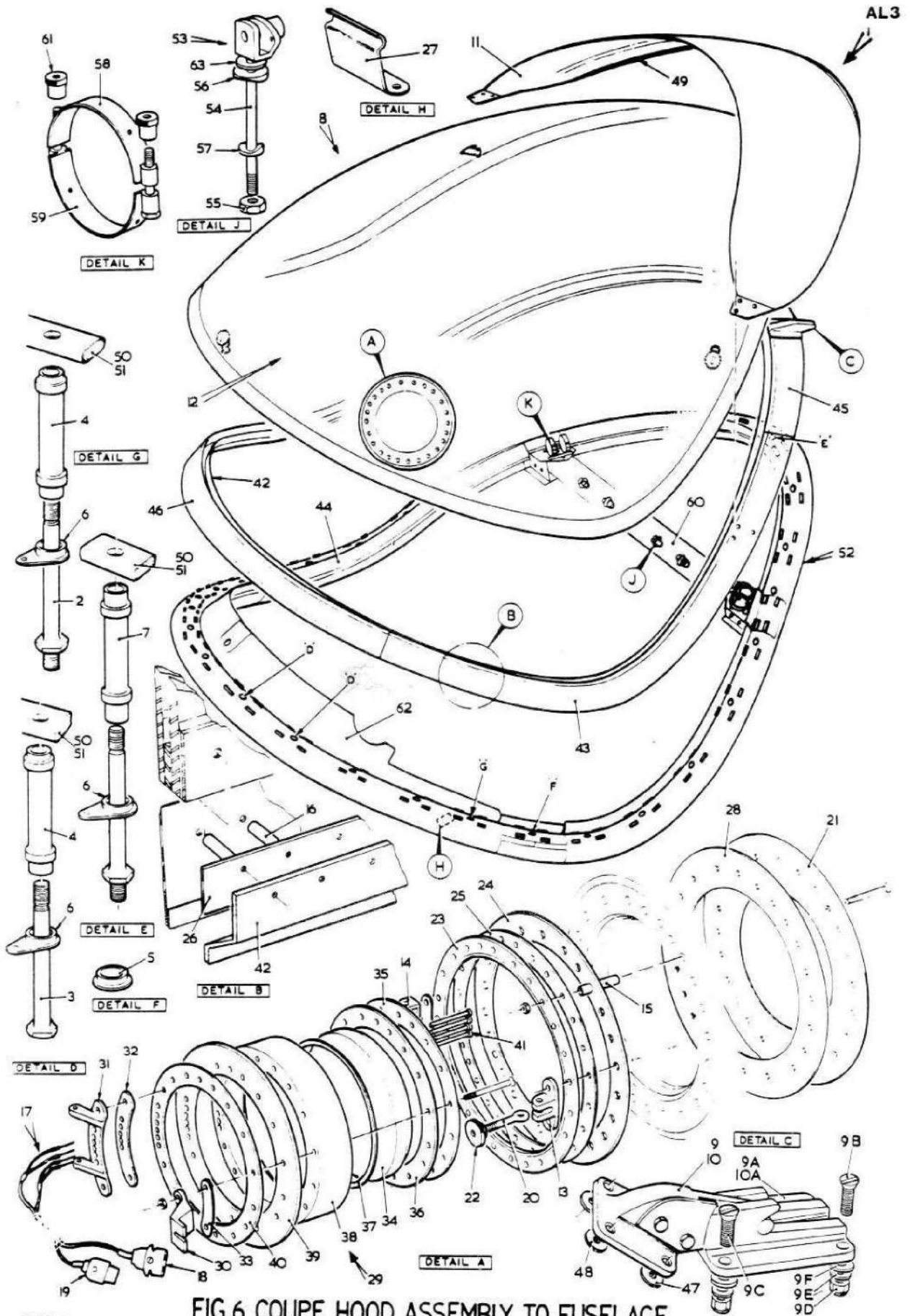


FIG. 6. COUPE HOOD ASSEMBLY TO FUSELAGE

CODE R

SECT. KB

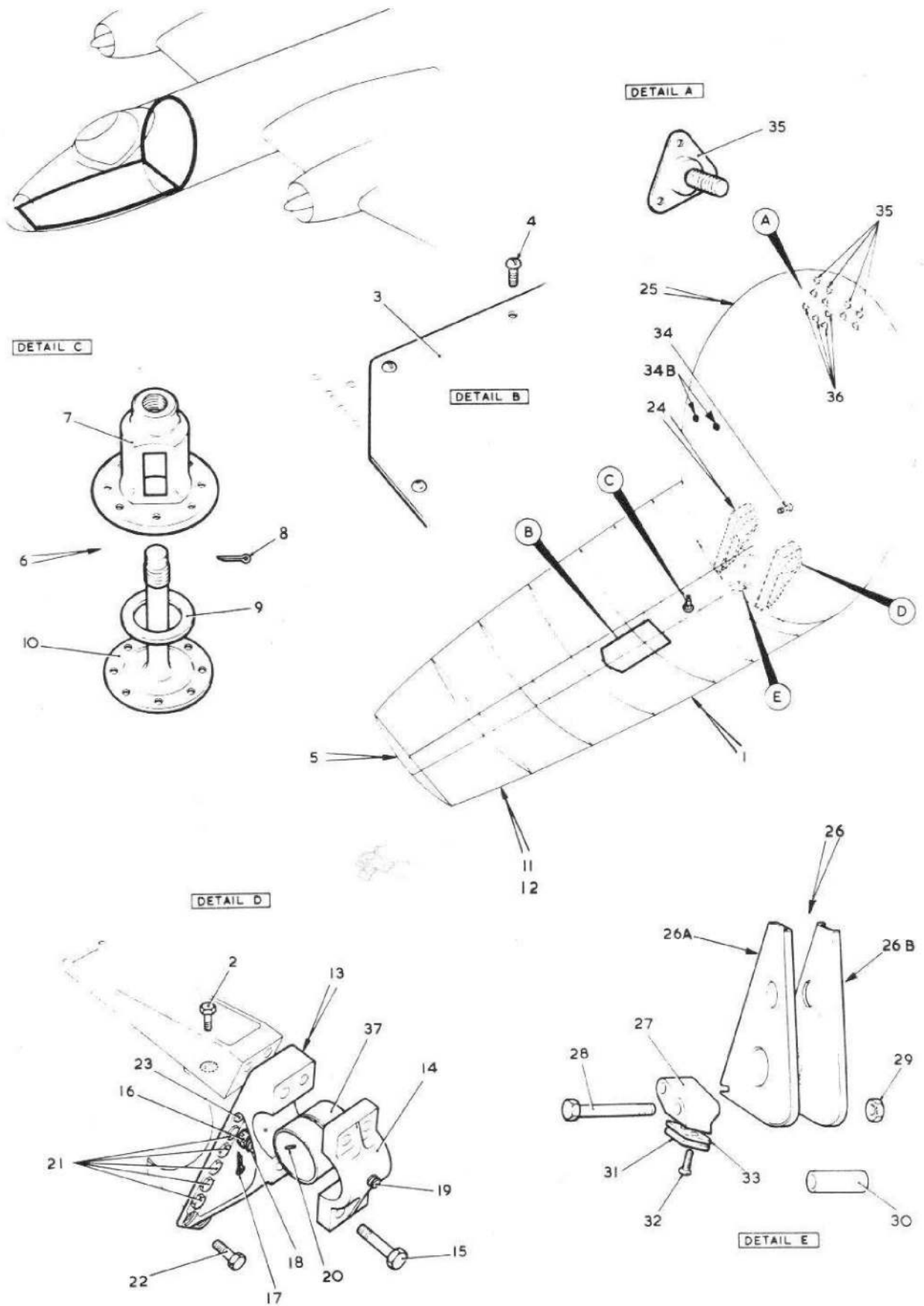


FIG.7. KEEL UNIT, COMPLETE ASSEMBLY

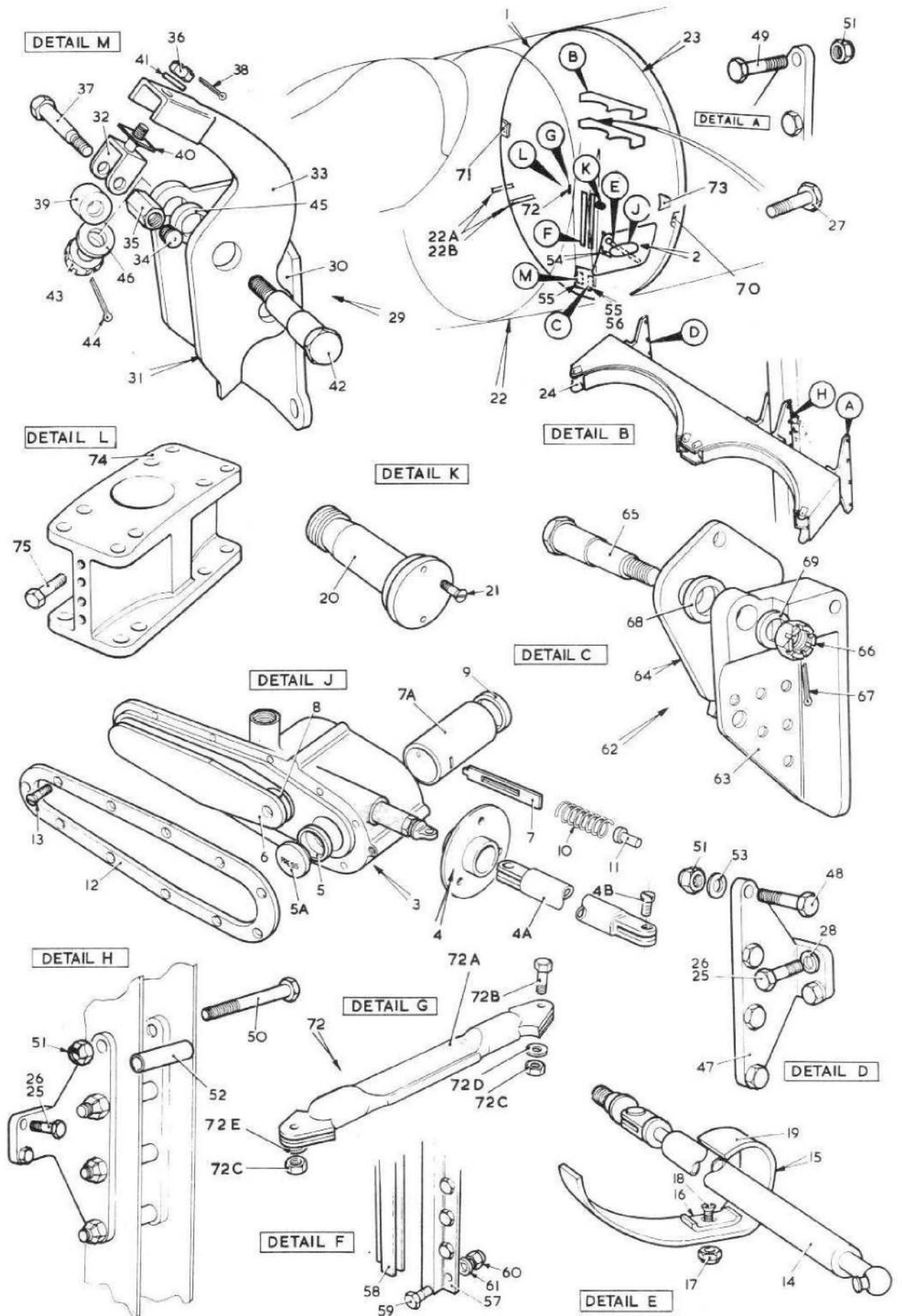


FIG. 8. SKINNING STRUCTURE PRESSURE BULKHEAD TO FRAME 12

CODE RS2.

SECT. KB

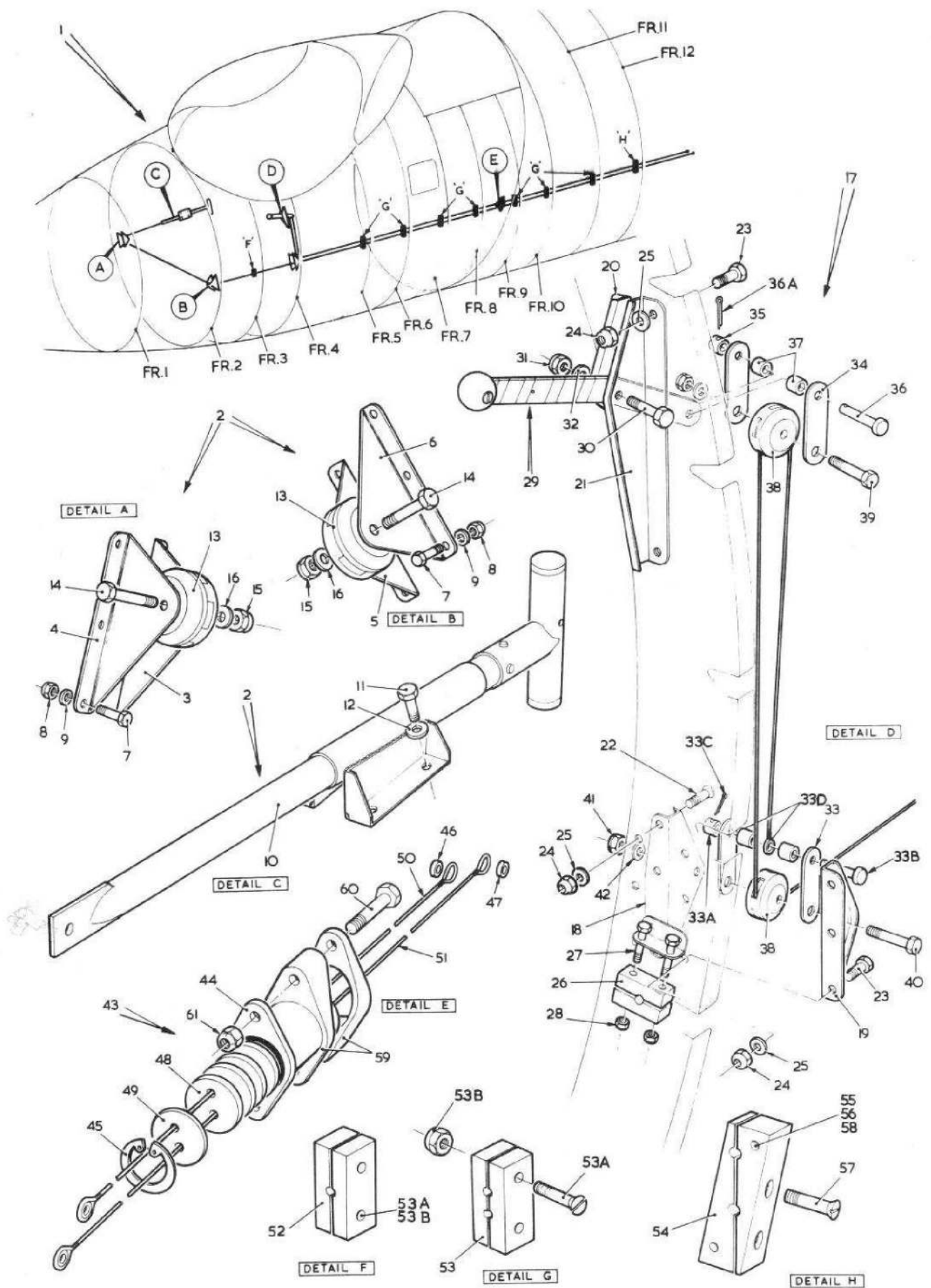


FIG.9 EMERGENCY RELEASE MECHANISM BOMB DOOR & UNDERCARRIAGE

CODE RZ

SECT KB

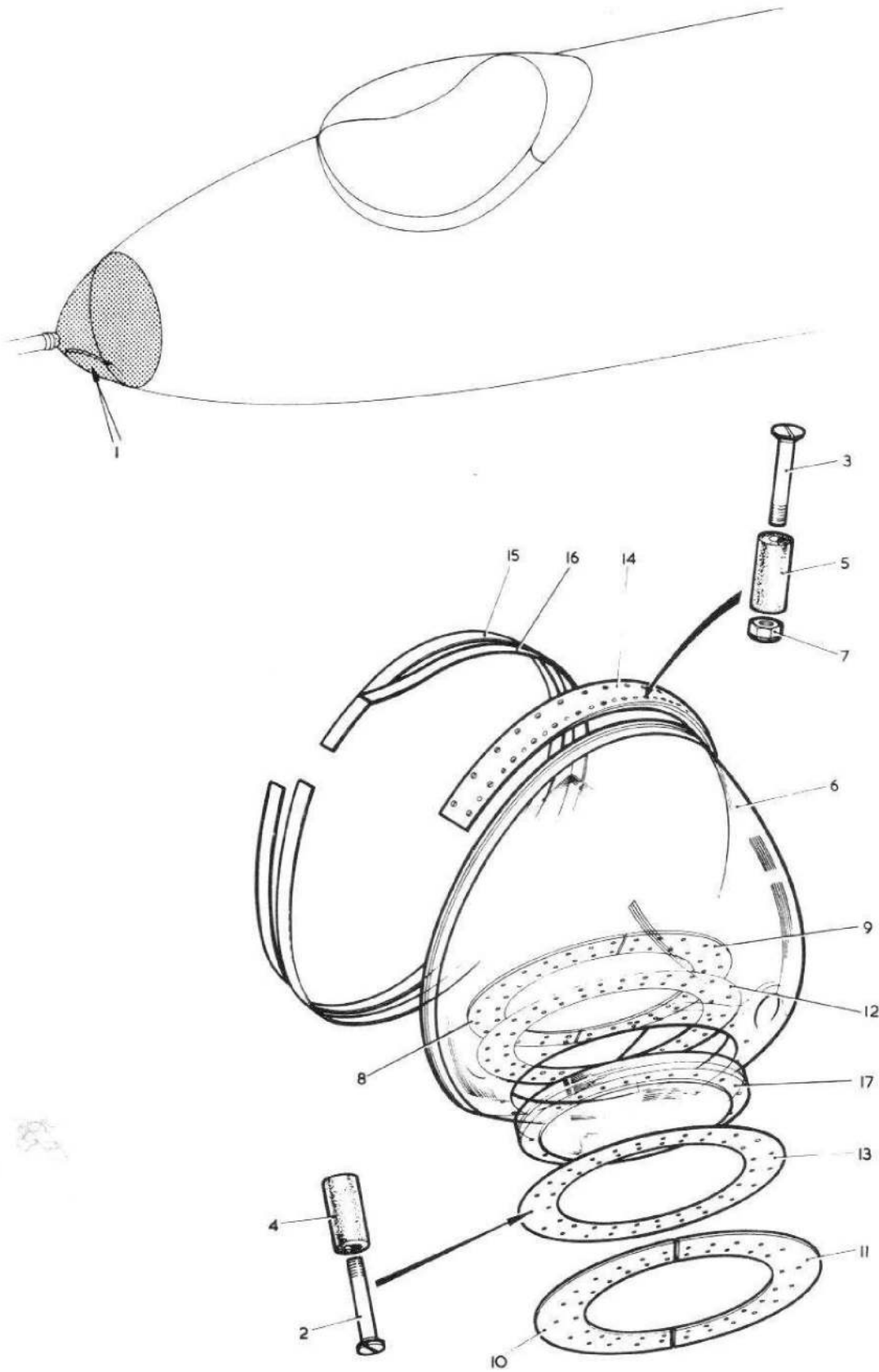


FIG.10. PERSPEX NOSE ASSEMBLY

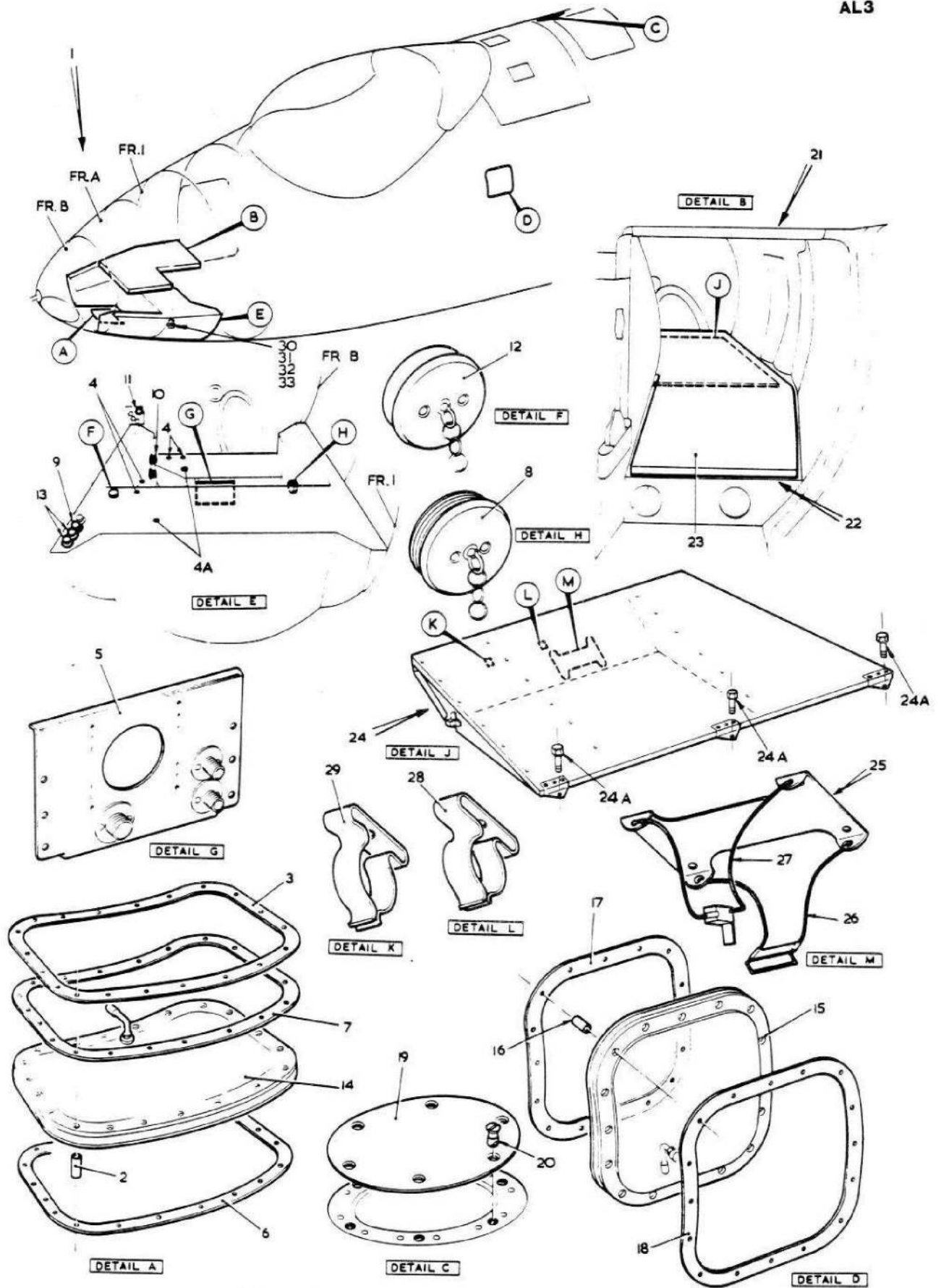


FIG. II. FRONT FUSELAGE STRUCTURE

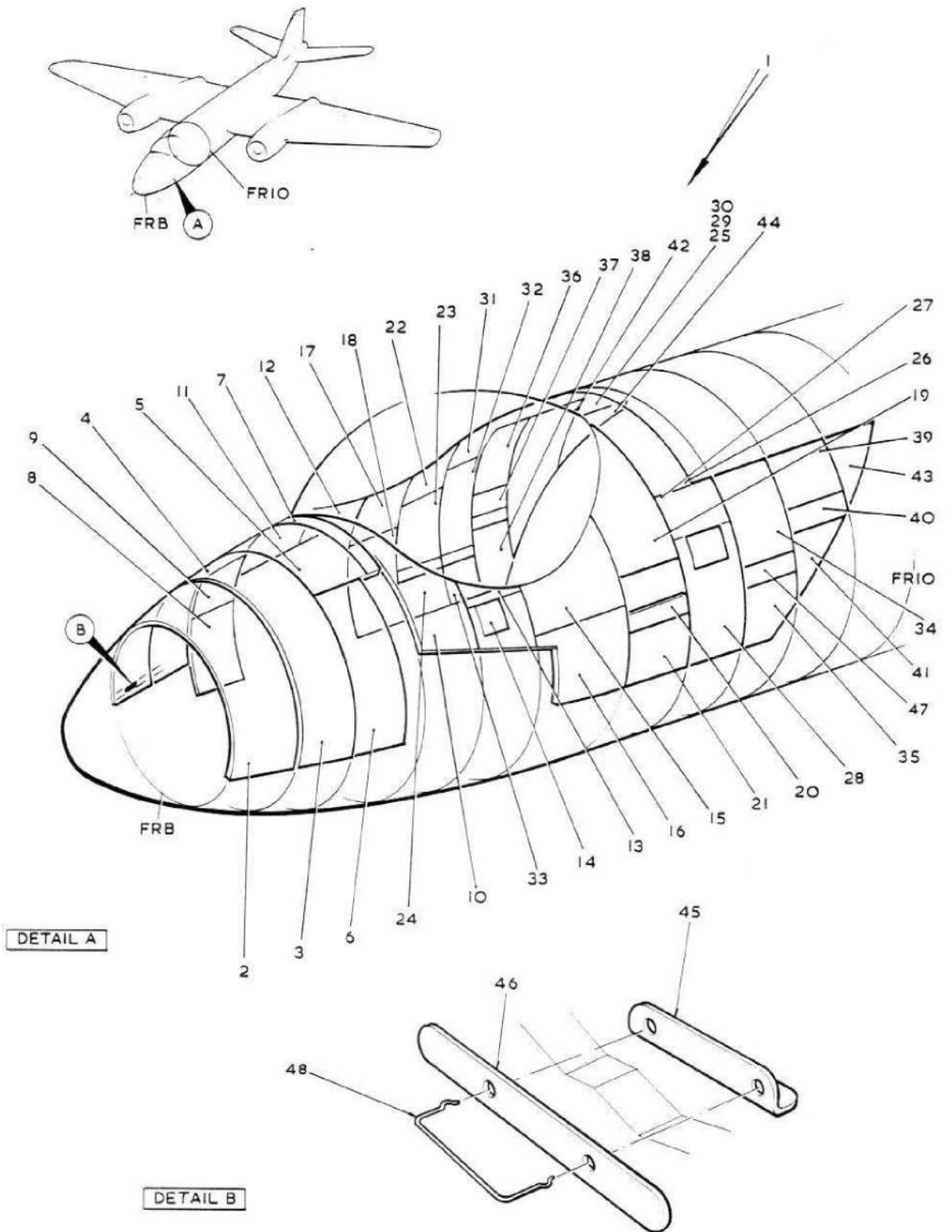


FIG 12 INSULATION PRESSURE CABIN

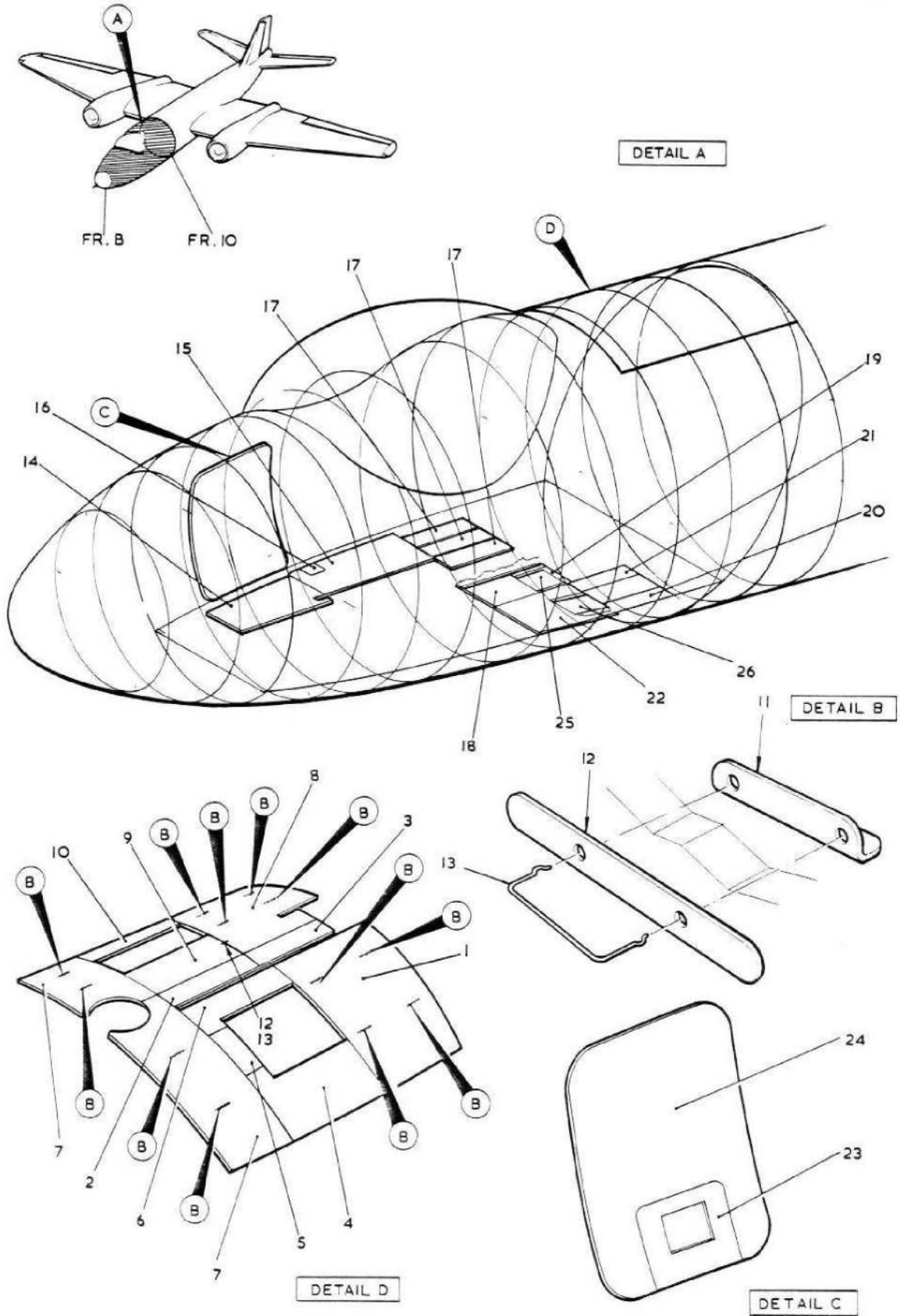


FIG 13 INSULATION FLOOR AND NAVIGATORS ESCAPE HATCH

CODE RZ

SECT KB

This file was downloaded  
from the RTFM Library.

Link: [www.scottbouch.com/rtfm](http://www.scottbouch.com/rtfm)

Please see site for usage terms,  
and more aircraft documents.

