

## REAR FUSELAGE AND TAIL UNIT

Part Number	Description	No. Off	Matl. Spec.	Plate No.					
				1	2	3	4	5	6
R EA1.00.45	REAR FUSELAGE AND TAIL UNIT, ASSEMBLY (MOD 6) (Pre-Mod 5344)	—	—						
R EA3.00.5795	REAR FUSELAGE (Spares condition rear fuselage based on EA1.00.45 to LTF standard) (Mod 5344) Spares for:—	1	—						
EA1.00.63	. CONTROLS, TO RUDDER AND ELEVATOR ATTACHMENT DETAILS (See Chapter N)	—	—						
EA3.45.385	. CONTROLS, FLYING, IN REAR FUSELAGE (See Chapter DC)	—	—						
EA1.81.8	. ELECTRICAL EQUIPMENT IN REAR FUSELAGE (See Chapter EC)	—	—						
EA3.83.115	. EQUIPMENT, REAR FUSELAGE (MOD 2186) (See Chapter GB)	—	—						
EA3.00.155	. FAIRING, REAR GROUP (For Aircraft WD929-931, 933-938)	1	—						
EA1.12.17	. FAIRING, REAR GROUP (MOD 626) Spares for:—	1	—						KC1/1
EA1.12.449	. . DOOR, access, rear navigation light group Spares for:—	1	—						KC1/2
EA1.12.629	. . . WINDOW, perspex	1	—						KC1/3
EA1.12.967	. . . PANEL, rear access, tailplane controls	1	—						KC1/4
EA1.12.583	. . . RADOME, dummy	1	—						KC1/5
EA1.32.1	. . . FIN, TAIL, ASSEMBLY (MOD 626) (PRE-MOD 4478)	1	—						KC1/6
EA3.10.1071	. . . FIN, TAIL, ASSEMBLY (MOD 4478) (PRE-MOD 5043)	1	—						
EA3.00.5399	. . . FIN, TAIL, ASSEMBLY (MOD 5043)	1	—						
R EA3.00.5491	. . . FIN, TAIL, ASSEMBLY (EG7.32.187) (MOD 5111) (Supplied undrilled at base) (Pre-Mod 5344)	1	—						
R EA3.00.5709	. . . FIN, ASSEMBLY (Spares for EG7.32.187) (Mod 5344) Spares for:—	1	—						
EC3.82.67	. . . AERIAL ATTACHMENT TO FIN INSTALLATION (Alt. R60/303) Consisting of:—	—	—						
EC3.82.71	. . . . BAR, toggle	1	—						
EC3.82.69	. . . . BOLT, eye	1	—						
A25/2C	. . . . BOLT, 2BA	2	—						
EC3.82.77	. . . . NUT, demand	1	—						
A27CS	. . . . NUT, 2BA	2	—						
EC3.82.79	. . . . PIN, for toggle bar	1	—						
SP90C5	. . . . PIN, split	2	—						
SP90E8	. . . . PIN, split	1	—						
EC3.82.81	. . . . PLATE, adaptor	2	—						
EC3.82.73	. . . . WASHER	1	—						
EC3.82.75	. . . . WASHER, saddle	1	—						
SP15C	. . . . WASHER	2	—						
EA3.32.237	. . . ALTS, FIN TO FUSELAGE ATTACHMENT (Alt. R60/303) Consisting of:—	—	—						
EK5.32.607	. . . . BOLT, special, port	1	—						
EK5.32.609	. . . . BOLT, special, starboard	1	—						
A60/6G	. . . . BOLT, 5/16"	1	—						
A60/9G	. . . . BOLT, 5/16"	1	—						
A60/7G	. . . . BOLT, 3/8"	1	—						
A60/8G	. . . . BOLT, 3/8"	1	—						
A60/9J	. . . . BOLT, 3/8"	1	—						
A60/10J	. . . . BOLT, 3/8"	2	—						

## FUSELAGE

## REAR FUSELAGE AND TAIL UNIT

Part Number	1 2 3 4 5 6	Description	No. Off	Mati. Spec.	Plate No.
R	A60/11J	. . . BOLT, 3/8"	3	—	
R	A60/13J	. . . BOLT, 3/8"	1	—	
R	A60/14J	. . . BOLT, 3/8"	1	—	
R	A60/16J	. . . BOLT, 3/8"	3	—	
R	EA1.32.79	. . . BUSH, fin attachment, port	1	—	
R	EA1.32.81	. . . BUSH, fin attachment, port	1	—	
R	EA1.32.83	. . . BUSH, fin attachment, starboard	1	—	
R	EA1.32.85	. . . BUSH, fin attachment, starboard	1	—	
R	EA1.32.127	. . . CAGE, assembly, port	1	—	
R	EA1.32.128	. . . CAGE, assembly, starboard	1	—	
R	EA3.32.241	. . . FITTING, fin spar root, port	1	—	
R	EA3.32.243	. . . FITTING, fin spar root, starboard	1	—	
R	A27QP	. . . NUT, 5/8" BSF	2	—	
R	A27GP	. . . NUT, 5/16" BSF	2	—	
R	A58JT	. . . NUT, 3/8" BSF	12	—	
R	EA9.32.17	. . . PACKING, laminated	4	—	
R	V63013-LS-054166	. . . SHIM, laminated	1	BACM 64	
R	V63013-LS-046166	. . . SHIM, laminated	1	BACM 64	
R	EEAS319G2	. . . WASHER	2	—	
R	EEAS319J1	. . . WASHER	8	—	
R	EEAS319J2	. . . WASHER	5	—	
R	EG7.32.81	. . . ALTS TO FIN SHROUD FOR VOR/ILS AERIALS (Alt. R60/303) Spares for:	—	—	
R	EG7.32.83	. . . PANEL, access Attaching parts for EG7.32.83:	1	—	
R	AS1242/1C	. . . Bolt, 2BA, csk head	8	—	
R	AGS2007C1	. . . Nut, double anchor, 2BA	8	—	
R	EA1.32.151	. . . Packing, special	8	—	
R		. . . ALTS TO FIN (WOODEN STRUCTURE) FOR VOR/ILS AERIALS (Alt. R60/303) Spares for:	—	—	
R	EG7.32.157	. . . PANEL, L.H.	1	—	
R	EG7.32.158	. . . PANEL, R.H. Attaching parts for EG7.32.157 and EG.32.158:	1	—	
R	SP63D4	. . . Woodscrew, No.6, 1/2" long	22	—	
R	EG7.32.189	. . . PLATE, cover (not required when VOR/ILS aerials are fitted) Attaching parts for EG7.32.189:	2	—	
R	A113/3D	. . . Bolt, 10-32 UNF	10	—	
R	EA9.32.343	. . . COVERING, FIN Spares for:	—	—	
R	EC1.32.2505	. . . STRIP, leading edge	1	—	
R	AGS250/3	. . . WOODSCREW	100	—	
R	EA1.32.767	. . . PANEL, access	1	—	KC1/7
R	EA1.32.769	. . . PANEL, access	1	—	KC1/8

AP101B-0402-3A

## FUSELAGE

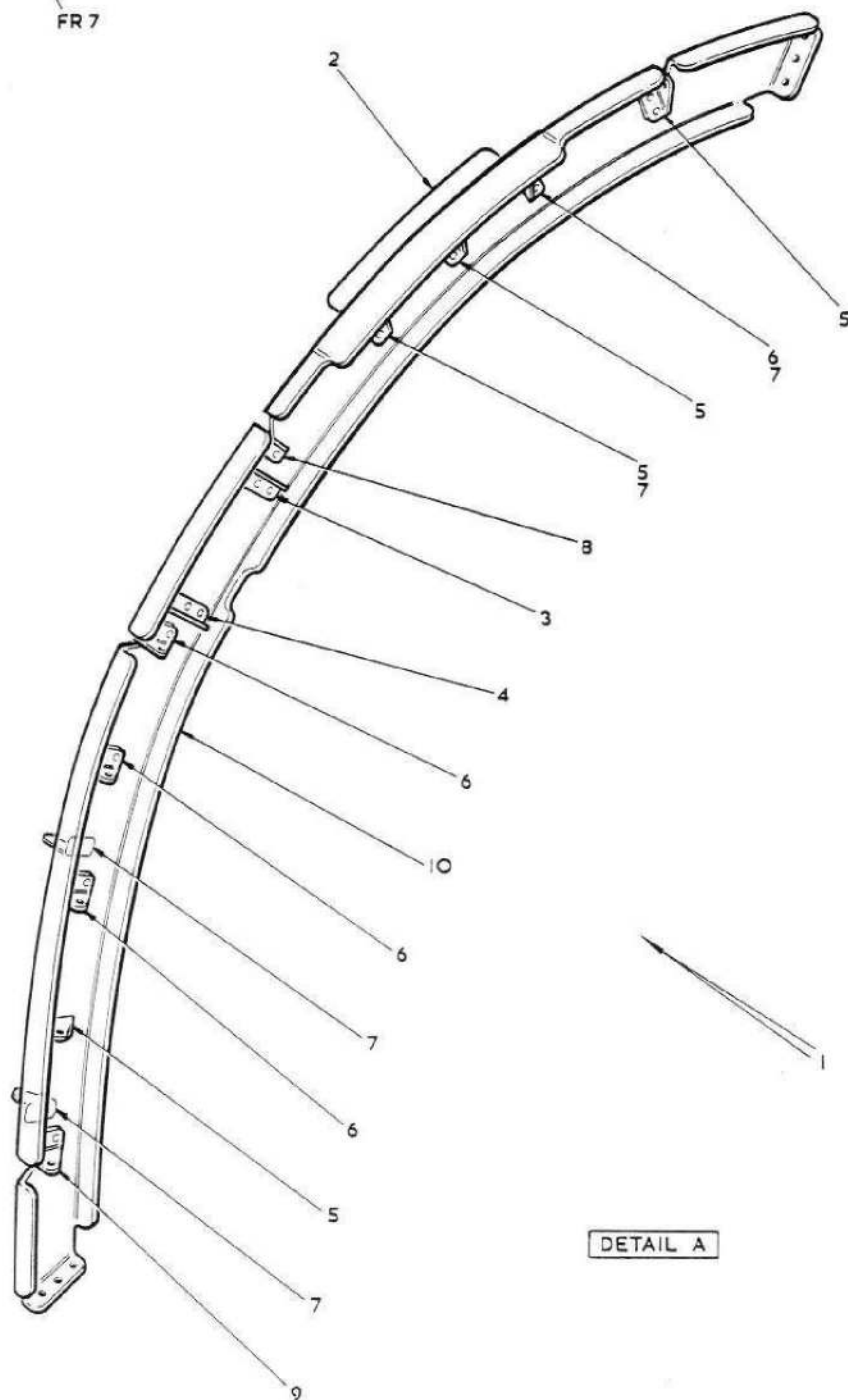
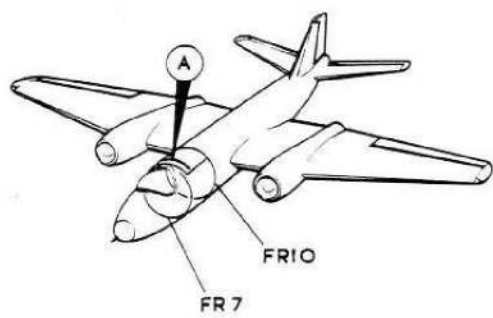
## REAR FUSELAGE AND TAIL UNIT

Part Number	1 2 3 4 5 6	Description	No. Off	Matl. Spec.	Plate No.
EA3.00.119		DOOR, ASSEMBLY (For A/C prior to WD961) (For non-interchangeable A/C only)	1	-	
EA3.12.91		DOOR, ASSEMBLY Spares for:	1	-	KC2/1
EA3.12.66		BRACKET	1	-	KC2/2
EA3.12.65		BRACKET	1	-	KC2/3
EA1.12.363		FASTENER	12	-	KC2/4
EA1.12.361		FASTENER (Make from Fairey FS400, Ref. 26FZ/137)	5	-	KC2/5
EA3.12.73		HINGE	1	-	KC2/6
EA1.12.917		PANEL, detachable Attaching parts for EA1.12.917:	1	L72	KC2/7
AS1246/½G		Bolt, 2BA	10	-	KC2/8
EA1.12.919		PANEL, detachable, circle Attaching parts for EA1.12.919:	1	L72	KC2/9
AS1246/½C		Bolt, 2BA	6	-	KC2/10
EA1.12.1213		SKIN, base plate (Pre Mod.5223)	1	-	
EA1.12.1219		STRINGER, channel (Pre Mod.5223)	1	-	
EA1.12.1271		STRINGER, channel, (Pre Mod.5223)	1	-	
EA1.12.1272		STRINGER, channel (Pre Mod.5223)	1	-	
EA1.12.1220		STRINGER, channel (Pre Mod.5223)	1	-	
EA1.12.1211		STRINGER, channel (Pre Mod.5233)	1	-	
EA1.12.913		STRIP, sealing, rubber (Make from EEAS120 - Nato number 5330-99-612-2385)	QR	-	KC2/11
EA1.12.915		STRIP, sealing, rubber (Make from EEAS120 - Nato number 5330-99-612-2385)	QR	-	KC2/12
AGS2001C1/66		Attaching parts for EA3.12.91:			
EEAS1/1C		Nut, 2BA	32	-	KC2/13
SP13/C		Screw, 2BA	32	-	KC2/14
		Washer	32	KC2/15	

R  
R  
R  
R  
R  
R

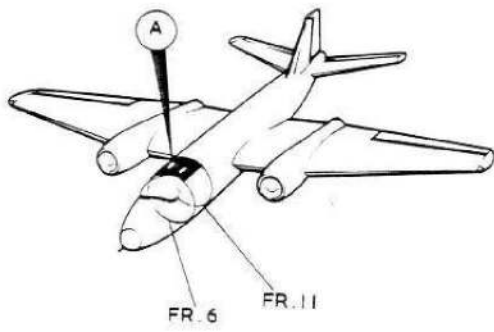
FUSELAGE  
REAR FUSELAGE AND TAIL UNIT

Part Number	Description 1 2 3 4 5 6	No. Off	Matl. Spec.	Plate No.

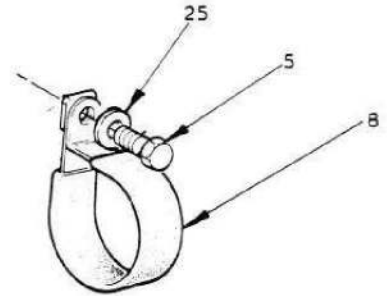


DETAIL A

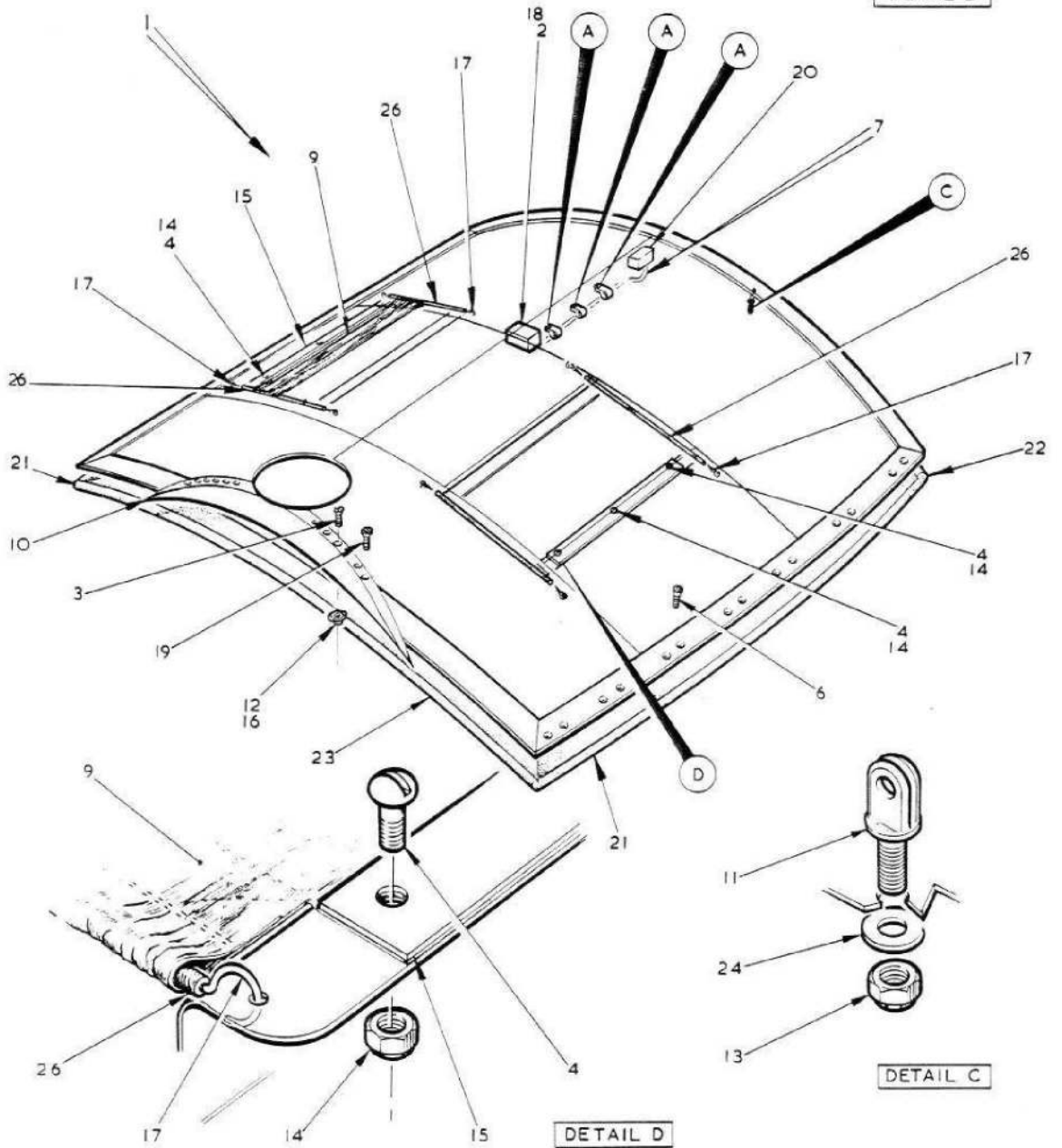
FIG 17 FRONT FUSELAGE



DETAIL A



DETAIL B



DETAIL D

DETAIL C

# 16 FRONT FUSELAGE STRUCTURE

AP101B-0402-3A

## FUSELAGE

## REAR FUSELAGE AND TAIL UNIT

Part Number	1 2 3 4 5 6	Description	No. Off	Matl. Spec.	Plate No.
R EA1.32.623		. . . STRINGER, aft, port (Pre Mod.5200)	4	—	
R EA3.32.249		. . . STRINGER, aft, port (Mod.5200)	4	—	
R EA1.32.624		. . . STRINGER, aft, starboard (Pre Mod.5200)	4	—	
R EA3.32.250		. . . STRINGER, aft, starboard (Mod.5200)	4	—	
R EA1.32.625		. . . STRINGER, aft, port (Pre Mod.5200)	1	—	
R EA3.32.251		. . . STRINGER, aft, port (Mod.5200)	1	—	
R EA1.32.626		. . . STRINGER, aft, starboard (Pre Mod.5200)	1	—	
R EA3.32.252		. . . STRINGER, aft, starboard (Mod.5200)	1	—	
EA1.32.7		. . . STRUCTURE, FIN, GROUP	—	—	
		Spares for:			
EA1.32.13		. . . SPAR, fin, assembly	1	—	
		Spares for:			
EA1.32.127		. . . . . CAGE, assembly, port	1	—	
EA1.32.128		. . . . . CAGE, assembly, starboard	1	—	
R EA1.32.207		. . . . . FITTING, spar root, port, sub-assembly (Pre Mod.5097)	1	—	
EA3.32.245		. . . . . FITTING, spar root, port, sub-assembly (Alt. R60/12 — Mod.5097)	1	—	
		Consisting of:			
EA1.32.79		. . . . . BUSH, inboard	1	S96	
EA1.32.81		. . . . . BUSH, outboard	1	S96	
R EA1.32.71		. . . . . FITTING (PRE MOD.5097)	1	—	
EA3.32.241		. . . . . FITTING (ALT. R60/12 — MOD.5097)	1	DTD5024	
R EA1.32.209		. . . . . FITTING, spar root, starboard sub-assembly (Pre Mod.5097)	1	—	
EA3.32.247		. . . . . FITTING, spar root, starboard sub-assembly (Alt. R60/12 — Mod.5097)	1	—	
		Consisting of:			
EA1.32.83		. . . . . BUSH, inboard	1	S96	
EA1.32.85		. . . . . BUSH, outboard	1	S96	
R EA1.32.73		. . . . . FITTING (PRE MOD.5097)	1	—	
EA3.32.243		. . . . . FITTING (ALT. R60/12 — MOD.5097)	1	DTD5024	
EA9.32.17		. . . . . PACKING, laminated	4	—	
EA1.00.55		. FIN TO FUSELAGE ATTACHMENT DETAILS (See Chapter N)	—	—	
EA1.12.1		. FUSELAGE, REAR, ASSEMBLY (MOD.6) Spares for:	1	—	
EA1.12.499		. . . BUMPER, tail, assembly Spares for:	1	—	KC3/1
EA1.12.501		. . . PAD, bumper, rudder	1	—	KC3/2

## FUSELAGE

## REAR FUSELAGE AND TAIL UNIT

Part Number	Description	No. Off	Mati. Spec.	Plate No.	
					1
EA1.12.367	. . . FAIRING, tailplane, sealing, port	1	—	KC3/3	
EA1.12.368	. . . FAIRING, tailplane, sealing, starboard	1	—	KC3/4	
EA3.12.45	. . . FIN, dorsal	1	—	KC3/5	
EA3.03.403	. . . LUG, FIN, ATTACHMENT, PORT, ASSEMBLY (EA1.12.117) Spares for:—	1	—	KC3/6	
EA1.12.127	. . . BUSH	1	S11	KC3/7	
EA3.03.405	. . . LUG, FIN, ATTACHMENT, STARBOARD, ASSEMBLY (EA1.12.119) Spares for:—	1	—	KC3/8	
EA1.12.125	. . . BUSH  (Refer to AP101B/0400/6 Vol.6, Pt.2. Repair leaflet D3/6 for particulars of assembly and special tools required for fitment of fin attachment lugs)	1	S11	KC3/9	
EA9.30.5	. . . SEALING, UPPER TAILPLANE, INSTALLATION Spares for:—	—	—		
EA9.30.7	. . . SEALING, TAILPLANE TO TAILPLANE STUB, PORT, GROUP Spares for:—	—	—	KC1/21	
EA3.30.193	. . . . . PACKING	1	—	KC1/22	
EA3.30.195	. . . . . PACKING, fillet	1	—	KC1/23	
EA3.30.197	. . . . . PACKING, fillet	1	—	KC1/24	
EA9.30.37	. . . . . PLATE, roller, assembly	1	—	KC1/25	
EA3.30.175	. . . . . PLATE, roller, assembly	1	—	KC1/26	
EA3.30.187	. . . . . STRIP, reinforcing	1	—	KC1/27	
EA9.30.8	. . . . . SEALING, TAILPLANE TO TAILPLANE STUB, STARBOARD Spares for:—	—	—		
EA3.30.194	. . . . . PACKING	1	—		
EA3.30.196	. . . . . PACKING, fillet	1	—		
EA3.30.198	. . . . . PACKING, fillet	1	—		
EA9.30.38	. . . . . PLATE, roller, assembly	1	—		
EA3.30.176	. . . . . PLATE, roller, assembly	1	—		
EA3.30.188	. . . . . STRIP, reinforcing	1	—		
EA9.30.27	. . . . . SEALING Spares for:—	—	—	KC1/28	
EA3.30.267	. . . . . PLATE, insert	1	—	KC1/29	
EA9.30.39	. . . . . SPRING-SEAL, assembly	1	—	KC1/30	
EA9.30.28	. . . . . SEALING Spares for:—	—	—		
EA3.30.268	. . . . . PLATE, insert	1	—		
EA9.30.40	. . . . . SPRING-SEAL, assembly	1	—		
—	. . . STRUCTURE, FUSELAGE, REAR, C/W SKIN ASSEMBLY (EA1.12.9) Spares for:—	—	—		
AS1242/3C	. . . . . BOLT	8	—	KC3/15A	
—	. . . . . DELETION OF K AERIAL IN REAR FUSELAGE ACCESS HATCH (EA3.12.5071) (MOD.5223) Spares for:—	—	—		
EA3.12.5073	. . . . . SKIN, base plate	1	—		
EG7.12.95	. . . . . STRINGER, angle, L.H. outer (Make from EEDX67, 25" long approx)	1	EEDX67		
EG7.12.251	. . . . . STRINGER, angle, L.H. inner (Make from EEDX67, 25" long approx)	1	EEDX67		
EG7.12.253	. . . . . STRINGER, angle, R.H. inner (Make from EEDX67, 25" long approx)	1	EEDX67		
EG7.12.255	. . . . . STRINGER, angle, R.H. outer (Make from EEDX67, 25" long approx)	1	EEDX67		
EA3.12.5075	. . . . . STRINGER, angle, centre (Make from EEDX67, 25" long approx)	1	EEDX67		

AP101B-0402-3A

## FUSELAGE

## REAR FUSELAGE AND TAIL UNIT

Part Number	Description	No. Off	Mati. Spec.	Plate No.
EA3.90.73	INSTALLATION OF ARI.5610 (BABS)	—	—	KC3/55
EA3.81.1087	Spares for: SCREW	1	—	KC3/56
or A55A2	SCREW	1	—	
EA3.90.127	TUBE, probe, assembly	1	—	KC3/57
EA1.12.1201	NUT, special, lifting gear, attachment	1	DTD683	KC3/10
AGS2001C1/66	NUT	8	—	KC3/15B
AVIATION DEVELS A419	PIN, 'pip', quick release	1	—	KC3/11
EA1.12.1203	PACKING, lifting gear, special nut	1	L59	KC3/12
—	RING, split, 1/2" i/d	2	Brass	KC3/13
EA3.12.59	STRAP, retaining	1	—	KC3/14
EA1.12.7	STRUCTURE, FUSELAGE (LESS SKINS), ASSEMBLY	—	—	KC4/1
	Spares for:			
EA1.12.93	FITTING, end, longeron, rear transport joint, port	1	DTD683	KC4/2
EA1.12.94	FITTING, end, longeron, rear transport joint, starboard	1	DTD683	KC4/3
EA1.12.95	FITTING, end, longeron, rear transport joint, port	1	DTD683	KC4/4
EA1.12.96	FITTING, end, longeron, rear transport joint, starboard	1	DTD683	KC4/5
EA1.12.51	FRAME, No.40	1	—	KC4/6
EA1.12.53	FRAME, No.41	1	—	KC4/7
EA1.12.49	FRAME, No.43	1	—	KC4/8
EA1.12.55	FRAME, No.42, TAILPLANE, HINGE, ASSEMBLY	1	—	KC4/9
	Spares for:			
EA3.12.163	BRACKET, HINGE FITTING, TAILPLANE, PORT ASSEMBLY (MOD.509)	1	—	KC4/10
	Spares for:			
EA3.12.267	BUSH (MOD.1169)	1	S11	KC4/11
EA3.03.237	BUSH, repair	1	S92	KC4/12
EA3.12.164	BRACKET, HINGE FITTING, TAILPLANE, STARBOARD, ASSEMBLY (MOD.509)	1	—	KC4/13
	Spares for:			
EA3.12.265	BUSH (MOD.1169)	1	S11	KC4/14
EA3.03.235	BUSH, repair	1	—	KC4/15
EA1.12.441	BRACKET, picketing	1	—	KC4/16
EA1.12.229	CLEAT, tee, forward frame 42 stringer, attachment	1	DTD683	KC4/17
EA1.12.231	CLEAT, tee, rear longeron, attachment, port	1	DTD683	KC4/18
EA1.12.232	CLEAT, tee, rear longeron, attachment, starboard	1	DTD683	KC4/19
EA1.12.121	TEE-MEMBER, frame 42, port	1	—	KC4/20
EA1.12.122	TEE-MEMBER, frame 42, starboard	1	—	KC4/21

## FUSELAGE

## REAR FUSELAGE AND TAIL UNIT

Part Number	1 2 3 4 5 6	Description	No. Off	Matl. Spec.	Plate No.
EA1.12.165	. . . . .	MEMBER, CENTRE, ASSEMBLY	1	—	KC4/22
		Spares for:			
EA1.12.123	. . . . .	BUSH, strut attachment bolt	1	—	KC3/23
EA1.12.167	. . . . .	BUSH, T/P actuator bolt	1	—	KC4/24
EA1.12.447	. . . . .	PLUG, blanking picketing point	1	—	KC4/25
EA1.12.237	. . . . .	STIFFENER, ASSEMBLY	1	—	
		Spares for:			
EA1.12.237/A	. . . . .	CHANNEL, L.H.	1	—	
EA1.12.239	. . . . .	FITTING, joint	1	—	
		Attachments:			
SP80/607	. . . . .	Rivet	12	—	
or					
EA1.12.1625	. . . . .	Bolt, special	12	—	
A27/CP	. . . . .	Nut	12	—	
EA1.12.1627	. . . . .	Washer	12	—	
EA1.12.238	. . . . .	STIFFENER, ASSEMBLY	1	—	
		Spares for:			
EA1.12.238/A	. . . . .	CHANNEL, R.H.	1	—	
EA1.12.239	. . . . .	FITTING, joint	1	—	
		Attachments:			
SP80/607	. . . . .	Rivet	12	—	
or					
EA1.12.1625	. . . . .	Bolt, special	12	—	
A27/CP	. . . . .	Nut	12	—	
EA1.12.1627	. . . . .	Washer	12	—	
EA1.12.391	. . . . .	WASHER, tapered	8	L72	KC3/15
EA1.12.593	. . . . .	STRUT, BRACING, TAIL CONE AND STUB (PRE MOD.1170)	1	—	
EA3.12.273	. . . . .	STRUT, BRACING, TAIL CONE AND STUB (MOD.1170)	1	—	KC3/16
		Spares for:			
EA1.12.141	. . . . .	BOLT, special	2	S11	KC3/17
EA1.12.595	. . . . .	FORK-END PICK UP BRACING STAY, ASSEMBLY	2	—	KC3/18
		Spares for:			
EA1.12.139	. . . . .	BUSH	4	S11	KC3/19
EEAS37/16A	. . . . .	NIPPLE, 2BA	8	S11	KC3/20
EEAS37/22A	. . . . .	NIPPLE, 2BA	8	S11	KC3/21
A27NS	. . . . .	NUT	2	—	KC3/17A
EEAS38/3A	. . . . .	SPOKE, 2BA (Make from Ref.28R/4663555)	8	S11	KC3/22
SP15N	. . . . .	WASHER	2	—	KC3/17B
EA1.12.257	. . . . .	STUB, FIN, COMPLETE, ASSEMBLY	1	—	KC3/23
		Spares for:			
EA1.12.1615	. . . . .	COVER, starboard only	1	L73	KC3/24
		Attaching parts for EA1.12.1615:			
EEAS1/1C	. . . . .	Screw, 2BA	10	S96	KC3/24A
EA1.12.65	. . . . .	RIB, FIN STUB, ASSEMBLY	1	—	KC3/52
		Spares for:			
EA3.00.5289	. . . . .	ANGLE, frame 42, port (EA1.12.163)	1	DTD683	KC3/53
or					
EK5.00.623	. . . . .	ANGLE, frame 42, port (EK5.12.609) (Alt. R60/11 – Mod.5097)	1	L65	
EA3.00.5290	. . . . .	ANGLE, frame 42, starboard (EA1.12.164)	1	DTD683	KC3/54
or					
EK5.00.624	. . . . .	ANGLE, frame 42, starboard (EK5.12.610) (Alt. R60/11 – Mod.5097)	1	L65	

AP101B-0402-3A

## FUSELAGE

Page KC.5

## REAR FUSELAGE AND TAIL UNIT

Part Number	1 2 3 4 5 6	Description	No. Off	Matl. Spec.	Plate No.
EA1.12.11		STUB, RUDDER, ASSEMBLY Spares for:	—	—	KC3/25
EA3.12.213		BOLT, special, rudder buffer stop bracket mounting	8	S96	KC3/26
EA3.12.215		BOLT, special, rudder buffer stop bracket mounting	2	S96	KC3/27
EA3.12.217		BOLT, special, rudder buffer stop bracket mounting	2	S96	KC3/28
EA3.12.219		BOLT, special, rudder buffer stop bracket mounting	2	S96	KC3/29
EA3.12.227		BRACKET, RUDDER, STOP, L.H. ASSEMBLY Spares for:	1	—	KC3/30
EA3.12.225		BUFFER, rubber	1	Natural Rubber	KC3/31
EA3.12.228		BRACKET, RUDDER, STOP, R.H. ASSEMBLY Spares for:	1	—	KC3/32
EA3.12.225		BUFFER, rubber	1	Natural Rubber	KC3/33
EA1.12.1427		COVER, access	1	L72	KC3/34
EA3.33.297		REINFORCEMENT OF RUDDER BOTTOM BEARING HOUSING (MOD.4707) Spares for:	—	—	KC1/31
EA3.33.299		PLATE, BEARING, SPLIT Spares for:	1	—	KC1/32
EA3.33.301		PLATE, bearing, half	2	L73	KC1/33
EA1.12.281		RIB, RUDDER STUB, LOWER, ASSEMBLY Spares for:	1	—	KC3/35
EA1.12.873		STRIP, sealing	2	Rubber	KC3/36
EA1.12.283		RIB, RUDDER, STUB, TOP, ASSEMBLY Spares for:	1	—	KC3/37
EA1.12.207		HINGE, RUDDER, BOTTOM, ASSEMBLY Spares for:	1	—	KC3/38
EA1.12.205		BRACKET, rudder hinge	1	L45	KC3/39
EA1.12.199		PLATE, reinforcing	1	L72	KC3/40
EA9.12.103		STUB, ASSEMBLY, PORT (MOD.2594)	1	—	
EA9.12.104		STUB, ASSEMBLY, STARBOARD (MOD.2594) Spares for:	1	—	
EA3.30.193		PACKING, L.H.	1	—	KC3/41
EA3.30.194		PACKING, R.H.	1	—	KC3/42
EA3.30.195		PACKING, L.H.	1	—	KC3/43
EA3.30.196		PACKING, R.H.	1	—	KC3/44
EA3.30.197		PACKING, L.H.	1	—	KC3/45
EA3.30.198		PACKING, R.H.	1	—	KC3/46
EA9.30.37		PLATE, roller, L.H. assembly	1	—	KC3/47
EA9.30.38		PLATE, roller, R.H. assembly	1	—	KC3/48
EA3.30.187		STRIP, reinforcing	1	—	KC3/49
EA3.30.188		STRIP, reinforcing	1	—	KC3/50
		Attaching parts for EA9.12.103/104:			
A25/4C		Bolt	4	—	KC3/51A
AGS2001C1/66		Nut	4	—	KC3/51B
EA1.12.391		Washer, special tapered	4	L72	KC3/51
EA1.12.649		Washer, corner	4	—	KC3/51C

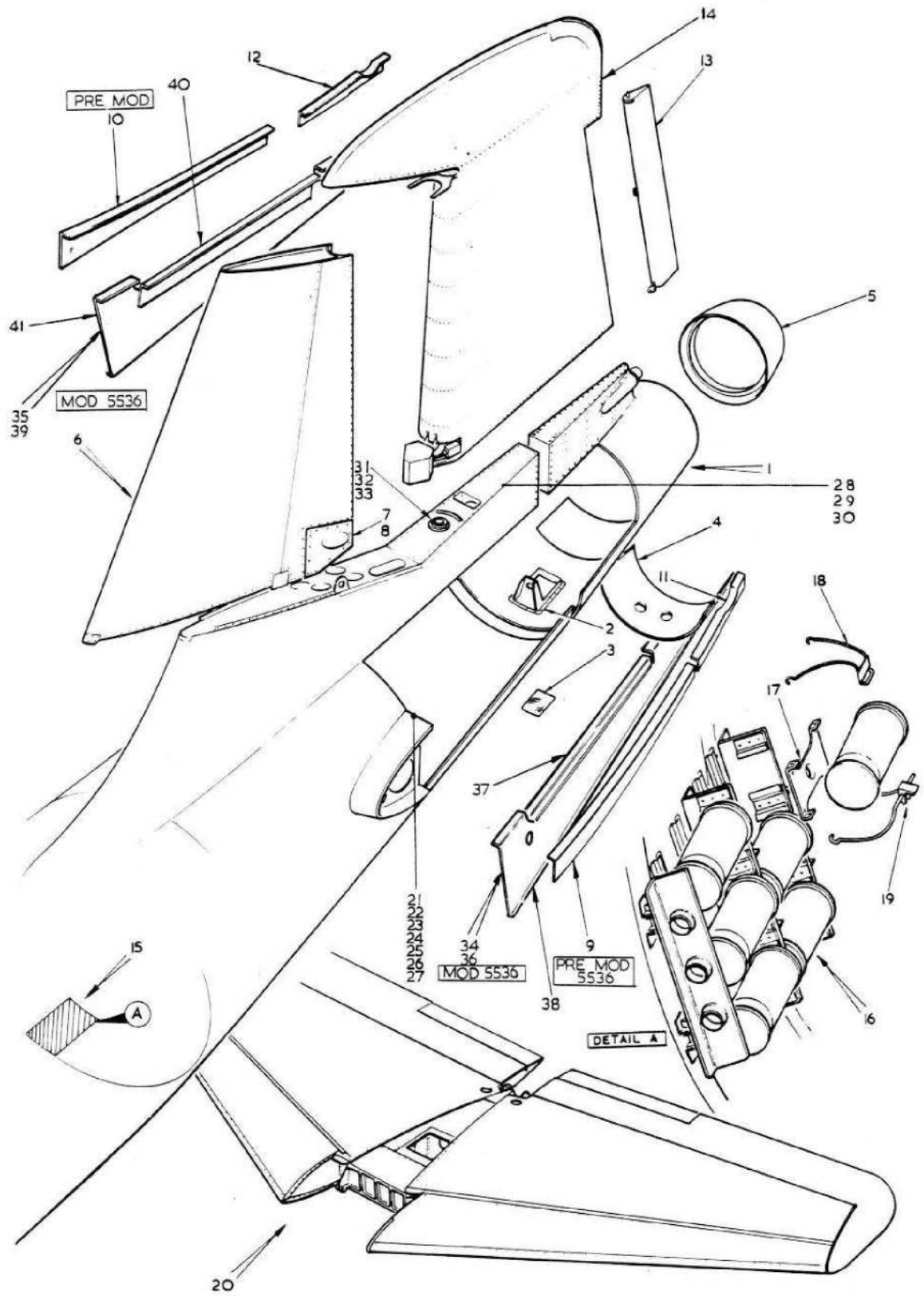


FIG. I REAR FUSELAGE AND TAIL UNIT

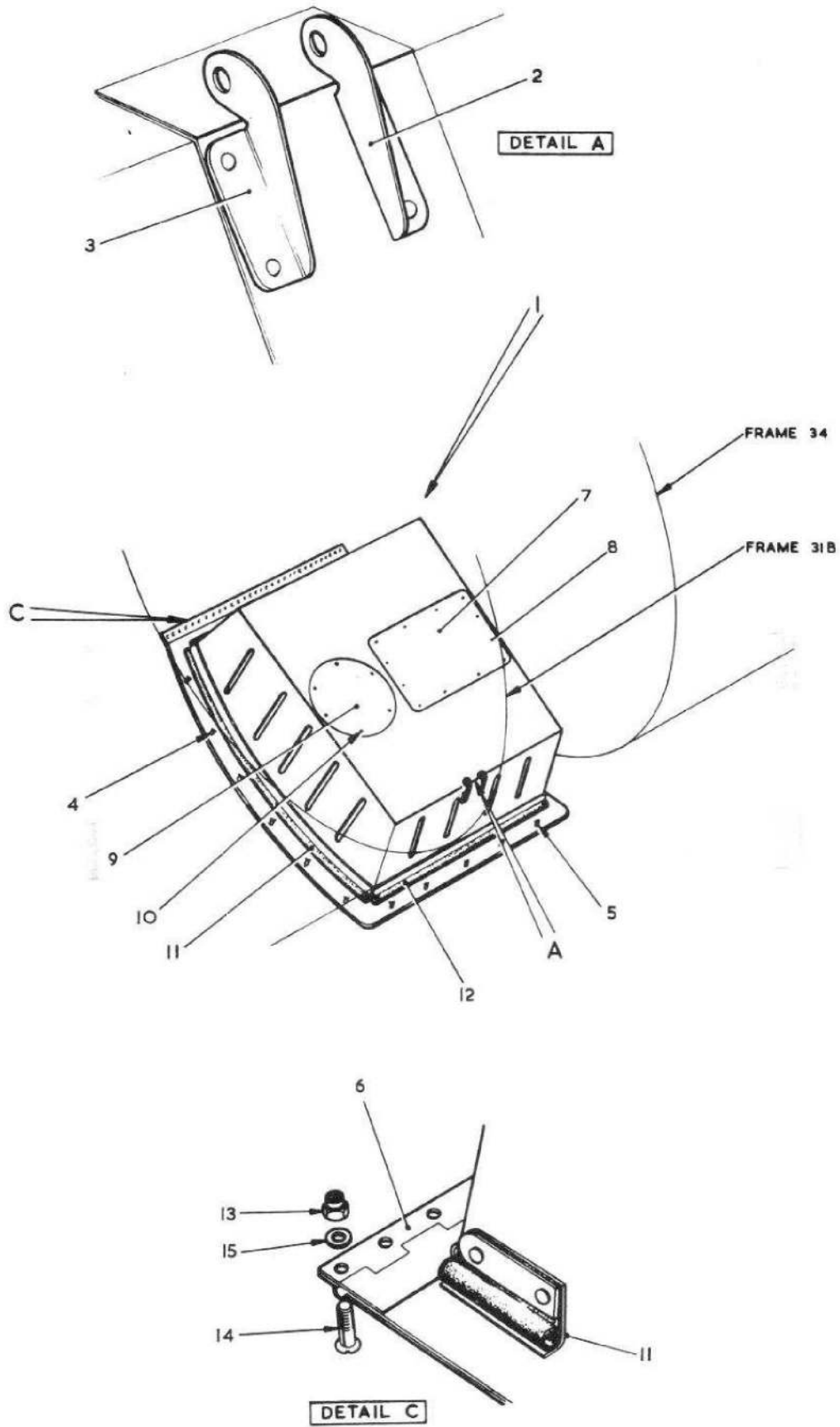


FIG.2 DOOR EQUIPMENT ACCESS

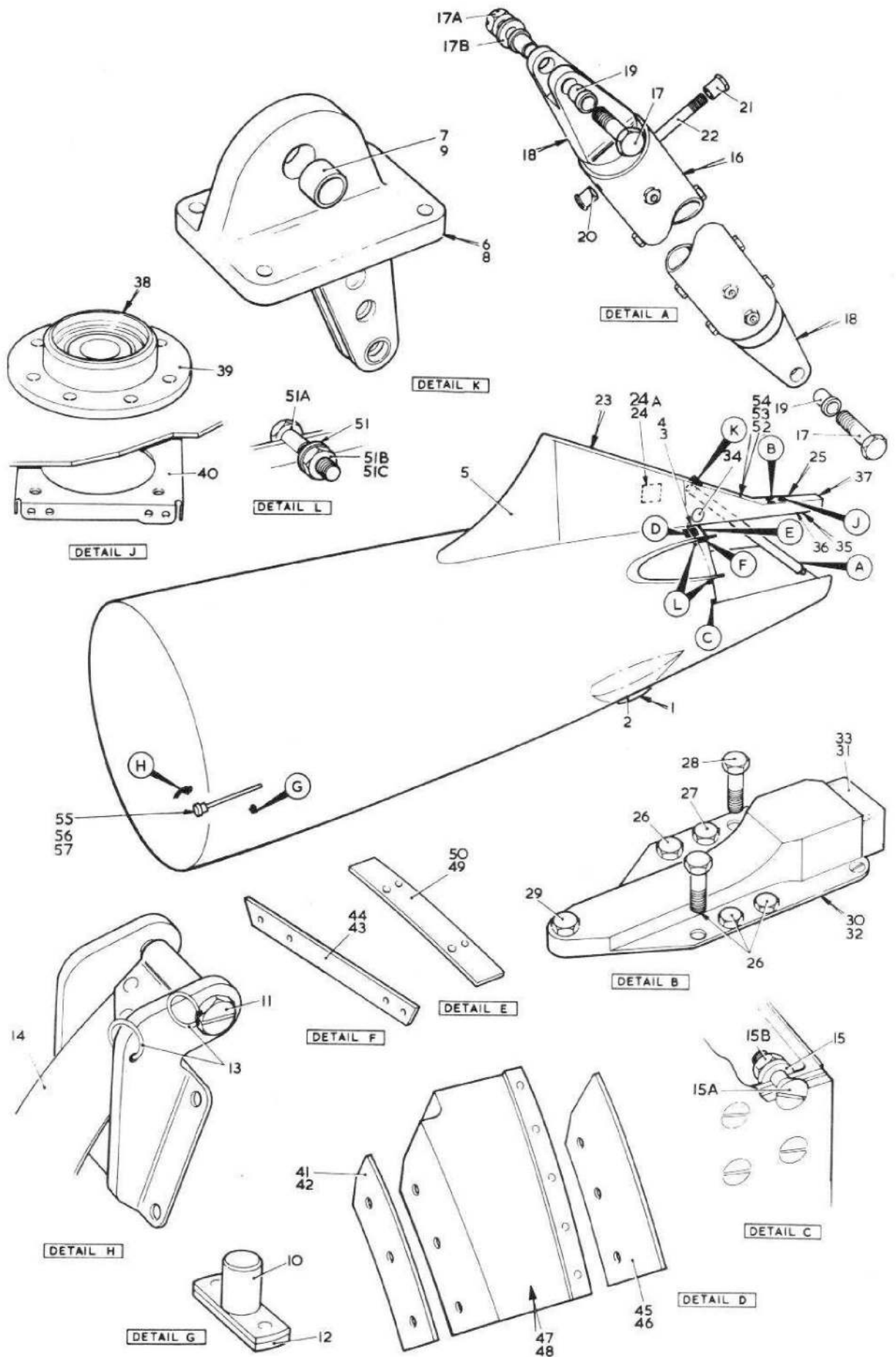


FIG. 3 FUSELAGE REAR ASSEMBLY

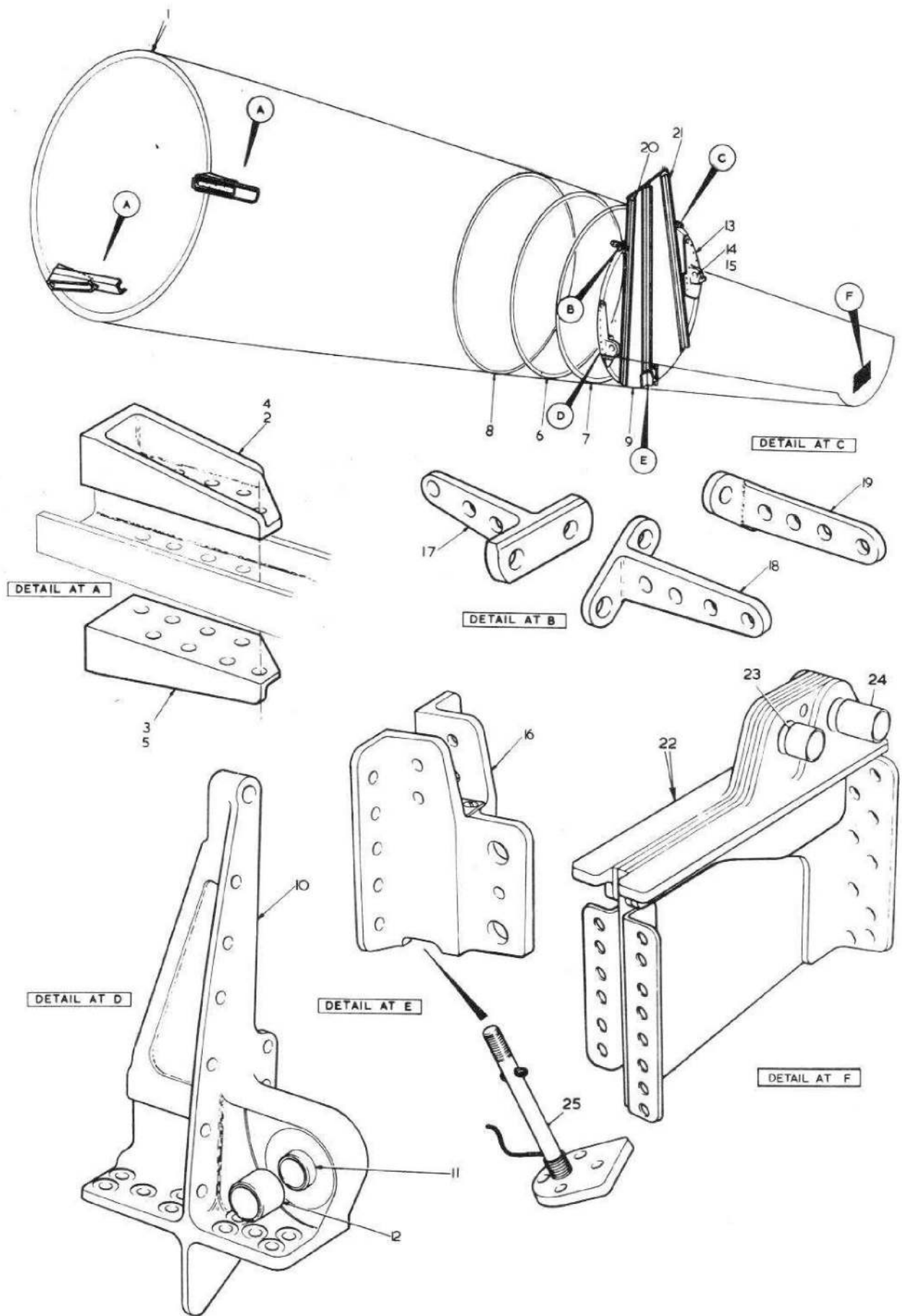


FIG. 4. REAR FUSELAGE AND TAIL UNIT

This file was downloaded  
from the RTFM Library.  
Link: [www.scottbouch.com/rtfm](http://www.scottbouch.com/rtfm)  
Please see site for usage terms,  
and more aircraft documents.

