

## MAINPLANE

## MAINPLANE AND FLAPS

Part Number	Description	No. Off	Matl. Spec.	Plate No.
R EA3.00.157	WING PORT, ASSEMBLY (Spares for EA3.00.11) (Pre-Mod 5344)	1	—	
R EA3.00.5711	WING PORT, ASSEMBLY (Spares condition based on EA3.00.11 to LTF standard) (Mod 5344)	1	—	LA1/1
R EA3.00.158	WING STARBOARD, ASSEMBLY (Spares for EA3.00.12) (Pre-Mod 5344)	1	—	
R EA3.00.5712	WING STARBOARD, ASSEMBLY (Spares condition based on EA3.00.12 to LTF standard) (Mod 5344)	1	—	LA1/2
EA3.40.179	. ADAPTOR, lubricating nipple for side stay pivot bolt	1	S95	LA1/3
EA3.00.5391	. AILERON, port, spare assembly (EA3-24-1) (Embodying Mod 5043) (Pre Alt. R60/74) See page LB.1	1	—	
EA3.00.5423	. AILERON, port, spare assembly (EA3-24-217) (Embodying Mod 5043) (Alt. R60/74) See page LB.1	1	—	
EA3.00.5392	. AILERON, starboard, spare assembly (EA3-24-2) (Embodying Mod 5043) (Pre Alt. R60/74) See page LB.1	1	—	
EA3.00.5424	. AILERON, starboard, spare assembly, (EA3-24-218) (Embodying Mod 5043) (Alt R60/74) See page LB.1	1	—	
EA3.20.2479	. BOLT, aileron, hinge bracket	4	S95	LA1/4
EA1.40.243	. BOLT, U/C hinge, side stay link	1	S95 or S81	LA1/5
EA1.20.1107	. BOLT, main U/C	1	S65	LA1/6
EA3.40.177	. BOLT, U/C, side stay pivot	1	S65 or S81	LA1/7
AGS899/8	. COLLAR, air brake jack pins	2	—	LA3/1
EA1.25.3	. FLAP INNER WING, PORT ASSEMBLY (PRE-MOD 1769)	1	—	
EA9.25.3	. FLAP INNER WING, PORT ASSEMBLY (MOD 1769)	1	—	LA3/2
EA1.25.4	. FLAP INNER WING, STARBOARD, ASSEMBLY (PRE-MOD 1769)	1	—	
EA9.25.4	. FLAP INNER WING, STARBOARD, ASSEMBLY (MOD 1769) (Leading edge to be chamfered on assembly) Spares for:—	1	—	LA3/3
EA1.25.63	. . BOLT, flap link operating control attachment	2	S96	LA3/6
A27JS	. . NUT, 3/8" BSF	1	—	LA3/8
R SP90/C8	. . PIN, split	1	—	LA3/8A
EA1.25.53	. . RIB, trailing edge, end	1	—	
EA1.25.54	. . RIB, trailing edge, end	1	—	
EA1.25.67	. . WASHER, bevel, flap link attachment bolt	4	L64	LA3/10
R EEAS28.37EU	. . WASHER, special, 3/8" (non datum bracket)	2	—	LA3/11A
R EEAS28/37/FU	. . WASHER (datum bracket)	2	—	LA3/11C
R EA1.25.265	Attaching parts for EA9.25.3 and EA9.25.4:—			
R A27JS	. Bolt, special	2	S15	LA3/7
R SP90C8	. Nut, 3/8" BSF	2	—	LA3/8B
R EA1.25.43	. Pin, split	2	—	LA3/8C
R SP122J	. Washer, spherical (datum bracket)	2	S96	LA3/9
R EA1.25.265	Attaching parts for EA1.25.3 and EA1.25.4:—			
R A27JS	. Bolt, special	2	S15	LA3/7
R SP90C8	. Nut, 3/8" BSF	2	—	LA3/8B
R EA1.25.43	. Pin, split	2	—	LA3/8C
R EEAS28/37/FU	. Washer, spherical (datum bracket)	2	S96	LA3/9
R EEAS28/37/FU	. Washer	2	—	LA3/11B

## MAINPLANE

## MAINPLANE AND FLAPS

Part Number	Description	No. Off	Mati. Spec.	Plate No.
EA1.25.1	. FLAP OUTER WING, PORT, ASSEMBLY (PRE-MOD 1769)	1	—	
EA9.25.1	. FLAP OUTER WING, PORT, ASSEMBLY (MOD 1769)	1	—	LA3/4
EA1.25.2	. FLAP OUTER WING, STARBOARD, ASSEMBLY (PRE-MOD 1769)	1	—	
EA9.25.2	. FLAP OUTER WING, STARBOARD, ASSEMBLY (MOD 1769) (Leading edge to be chamfered on assembly)	1	—	LA3/5
	Spares for:—			
EA9.25.25	. . BLOCK, end port (Mod 1769)	1	—	
EA9.25.26	. . BLOCK, end, starboard (Mod 1769)	1	—	
EA9.25.27	. . BLOCK, end port (Mod 1769)	1	—	
EA9.25.28	. . BLOCK, end starboard (Mod 1769)	1	—	
EA1.25.63	. . BOLT, flap link operating control attachment	2	S96	LA3/6
A27JS	. . NUT, 3/8" BSF	1	—	LA3/8
SP90/C8	. . PIN, split	1	—	LA3/8A
EA1.25.11	. . RIB, No. 1 trailing edge, port	1	—	
EA1.25.12	. . RIB, No. 1 trailing edge, starboard	1	—	
EA1.25.67	. . WASHER, bevel, flap link attachment bolt	4	L64	LA3/10
EEAS28.37EU	. . WASHER, special, 3/8"	2	—	LA3/11A
	Attaching parts for EA9.25.1 and EA9.25.2:—			
EA1.25.265	. Bolt, special	2	S15	LA3/7
A27JS	. Nut, 3/8" BSF	2	—	LA3/8B
SP90C8	. Pin, split	2	—	LA3/8C
EA1.25.43	. Washer, spherical (datum bracket)	2	S96	LA3/9
SP122J	. Washer	2	—	LA3/11
	Attaching parts for EA1.25.1 and EA1.25.2:—			
EA1.25.73	. Bolt, special	2	—	LA3/7
A27JS	. Nut, 3/8" BSF	2	—	LA3/8B
SP90/C8	. Pin, split	2	—	LA3/8C
EA1.25.43	. Washer, spherical (datum bracket)	2	S96	LA3/9
EEAS28/37/FU	. Washer	2	—	LA3/11B
EA1.50.69	. LINK, COWL DOOR ASSEMBLY: Spares for:—	1	—	LA1/8
	. . BEARING, spherical	2	L40	LA1/9
EA1.50.75	. . FITTING, plug end	2	L40	LA1/10
	Attaching parts for EA1.50.77:—			
SP65L8	. . Pin, taper	2	—	LA1/11
	Spares for:—			
EA1.50.71	. . HOUSING, bearing	2	S1	LA1/12
EA1.50.69A	. . LINK, tube 1/2" o/d x 17 SWG	1	T45	LA1/13
SP21	. NIPPLE, lubricating, side stay pivot	1	—	LA1/14
EA1.40.287	. NUT, castle, side stay link bolt	2	S11	LA1/15
EA1.20.1287	. NUT, main u/c pivot bolt	1	S11	LA1/16
EA3.20.311	. PANEL, access, aileron control joint bottom skin (Pre Alt. R60/25)	1	—	LA2/1
EA3.20.4621	. PANEL, access (Alt. R60/25)	1	—	
EA3.20.1819	. PANEL, access (Alt. R60/25)	1	—	
EA3.20.347	. PANEL, access, air brake operating jack, bottom skin	1	—	LA2/2
EA3.20.353	. PANEL, access, rear wing attachment pin	1	DTD546	LA2/3
EA3.20.377	. PANEL, access, front wing attachment pin, top skin, port	1	DTD546	LA2/4
EA3.20.378	. PANEL, access, front wing attachment pin, top skin, starboard	1	DTD546	LA2/5
EA3.20.685	. PANEL, access, aileron control rod bottom skin (Pre Alt. R60/25)	1	—	LA2/6
EA3.20.687	. PANEL, access, front wing attachment pin, bottom skin, port	1	L73	LA2/7
EA3.20.688	. PANEL, access, front wing attachment pin, bottom skin, starboard	1	—	LA2/8
EA1.20.1045	. PANEL, access, electrical equipment bottom skin, port	1	—	LA2/9
EA1.20.1046	. PANEL, access, electrical equipment bottom skin, starboard	1	—	LA2/10
EA1.20.1099	. PANEL, access, aileron control rod joint, bottom skin	2	L73	LA2/11
EA1.20.1693	. PANEL, access, forward, fixing bolts of connecting ring to false spar and rib	2	L73	LA2/12

AP101B-0402-3A

## MAINPLANE

Page LB.3

## AILERON

Part Number	1 2 3 4 5 6	Description	No. Off	Matl. Spec.	Plate No.
EA1.24.221	.	ROD, blow-back	1	-	LB2/19
EA1.24.373	.	TUBE, torque, assembly (Pre-Mod 1707)	1	-	LB2/20
EA3.24.205	.	TUBE, torque, assembly (Mod 1707)	1	-	LB2/21
EA3.24.173	.	TUBE, TORQUE, AND TAB OPERATING GEAR, PORT ASSEMBLY (MOD 875) (PRE ALT R60/74)	-	-	LB2/1
EA3.24.219	.	TUBE, TORQUE, AND TAB OPERATING GEAR, PORT ASSEMBLY (ALT R60/74)	-	-	
EA3.24.174	.	TUBE, TORQUE, AND TAB OPERATING GEAR, STARBOARD ASSEMBLY (MOD 875) (PRE ALT R60/74)	-	-	LB2/2
EA3.24.220	.	TUBE, TORQUE, AND TAB OPERATING GEAR, STARBOARD ASSEMBLY (ALT R60/74)	-	-	
		Spares for:-			
T17	.	BEARING, ballrace	1	-	LB2/3
BAL5/8	.	BEARING, ballrace	1	-	LB2/4
CBS3	.	BEARING, ballrace	1	-	LB2/18
EA1.24.195	.	BRACKET	1	L65 or DTD683	LB2/5
		Attaching parts for EA1.24.195:-			
A25-5E	.	Bolt, 1/4" BSF	2	-	LB2/6
EA1.24.225	.	Bolt, 1/4" BSF, csk. head	3	-	LB2/45
AGS2001E1	.	Nut, stiff, 1/4" BSF	3	-	LB2/47
SP124E	.	Washer	3	-	LB2/48
SP123E	.	Washer	2	-	LB2/7
EA1.45.987	.	Washer, shim	2	-	LB2/24
EA1.24.301	.	BUSH, aileron control stop (Pre Alt. R60/74)	1	DTD625	LB2/8
EA3.24.215	.	BUSH (Alt R60/74)	1	BS2874	
AGS2030-26	.	CIRCLIP, 1 9/16" i/d	1	-	LB2/9
AGS2031-22	.	CIRCLIP, 1 1/16" o/d	1	-	LB2/10
AGS2030-22	.	CIRCLIP, 7/8" i/d	1	-	LB2/46
EA1.24.243	.	LEVER	1	L40	LB2/11
		Attaching parts for EA1.24.243:-			
A25-10C	.	Bolt, 2BA	1	-	LB2/12
A27CS	.	Nut, 2BA, slotted	1	-	LB2/13
SP90C5	.	Pin, split	1	-	LB2/14
EA1.24.245	.	Washer, saddle	2	L40	LB2/15
EA1.24.917	.	ROD, push, assembly (Pre Alt. R60/14)	1	-	LB2/25
EK5.24.601	.	ROD, push, assembly (Alt. R60/14) (PRE-MOD 5473)	1	-	
EA3.24.229	.	ROD, push, assembly (MOD 5473)	1	-	
		Spares for:-			
EA1.24.899	.	NUT, special, lock	1	S95	LB2/26
CM2A	.	ROD, end, ball bearing	1	-	LB2/27
EA1.24.919	.	SOCKET, c/w bearing No. 402259B, Ref. 452 (Pre Alt R60/14)	1	-	LB2/28
EK5.24.603	.	SOCKET, assembly (Alt R60/14)	1	-	
		Attaching parts for EA1.24.917 and EK5.24.601:-			
EA1.24.263	.	Bolt, special	1	S95	LB2/29
EA1.24.267	.	Bolt, special	1	S95	LB2/30
A27CS	.	Nut, 2BA, slotted	2	-	LB2/31
SP90C7	.	Pin, split	2	-	LB2/32
EA1.24.391	.	Tube, distance	2	-	LB2/33
SP15C	.	Washer	1	-	LB2/34

R

R

R

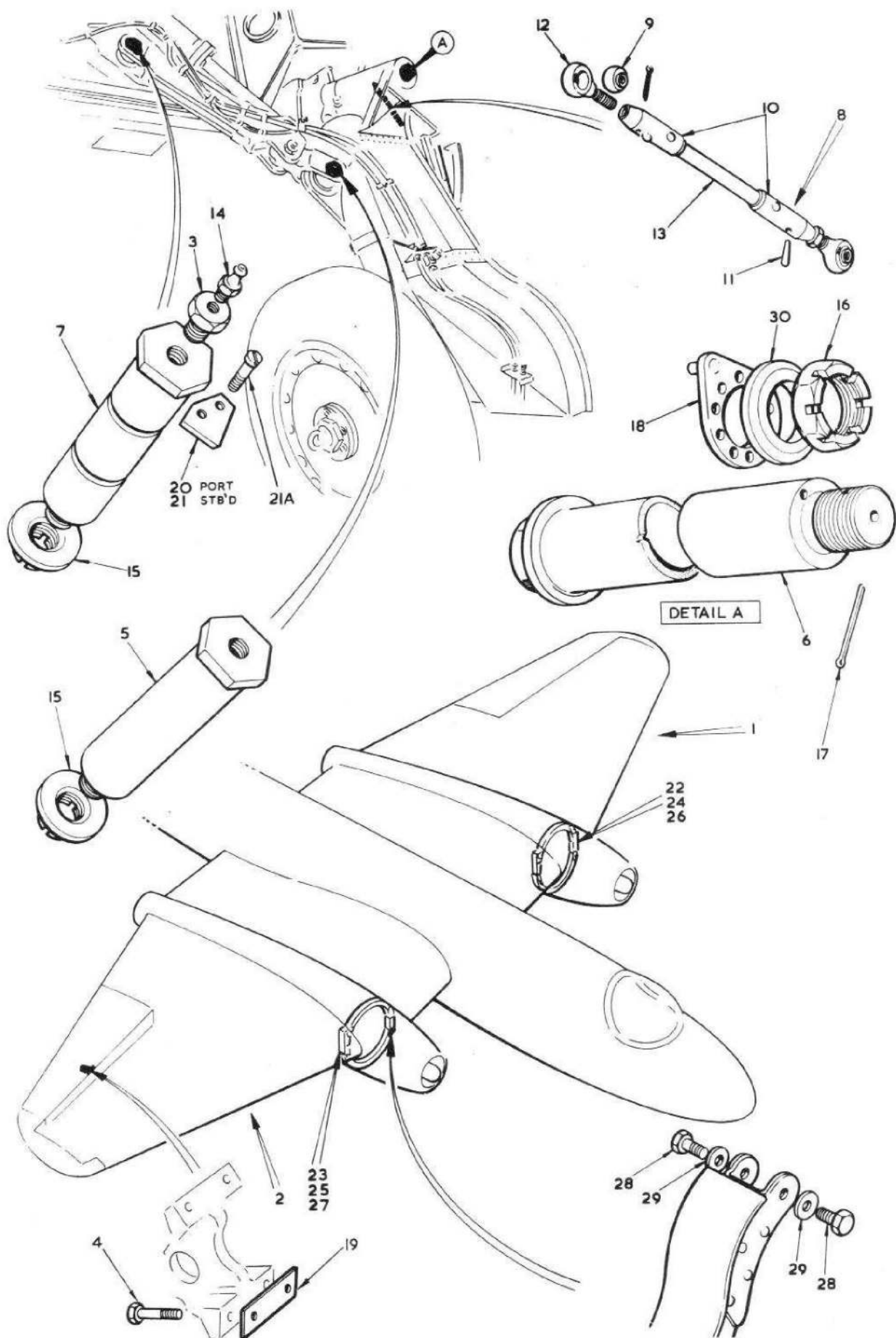


FIG. I MAINPLANE AND FLAPS

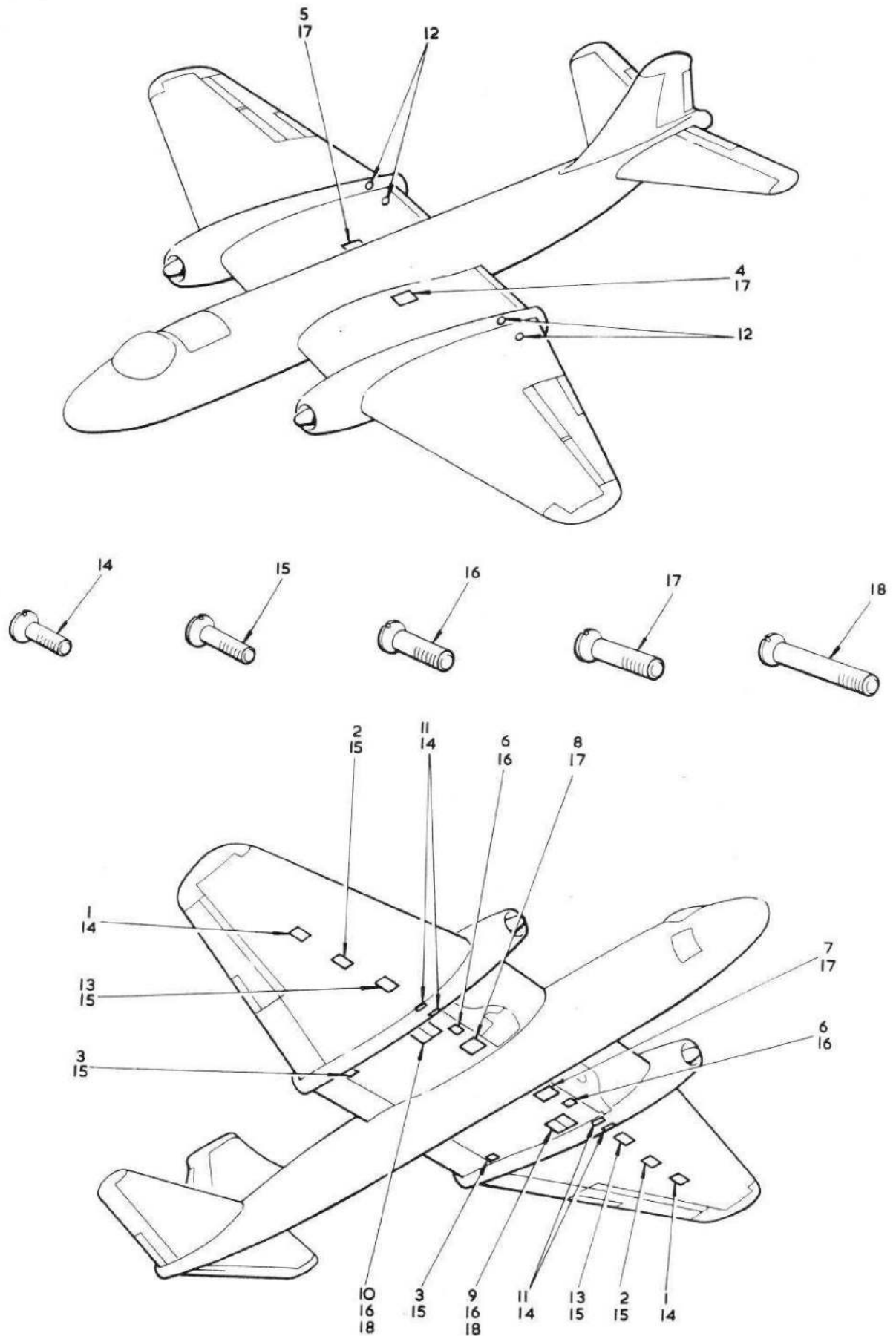


FIG2 MAINPLANE AND FLAPS

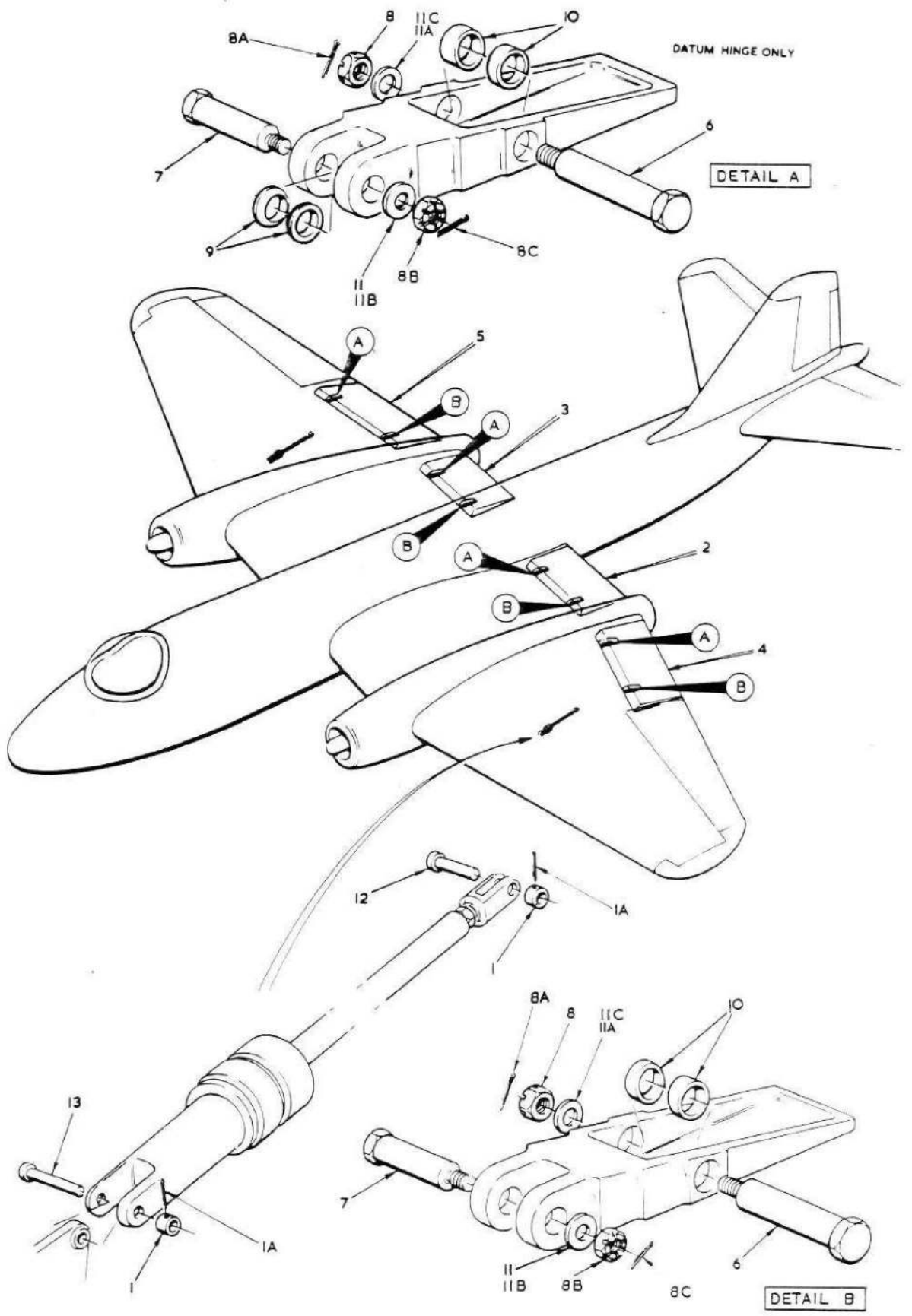


FIG 3 MAINPLANE AND FLAPS

This file was downloaded from the RTFM Library.  
Link: [www.scottbouch.com/rtfm](http://www.scottbouch.com/rtfm)

Please see site for usage terms, and more aircraft documents.

