

MAINPLANE

WING TIP

Part Number	Description	No. Off	Mati. Spec.	Plate No.
EA3.00.5174	WING TIP, PORT, ASSEMBLY (Spares condition) (Ref. Drg. EA1.00.67)	1	—	LD1/1
EA3.00.5175	WING TIP, STARBOARD, ASSEMBLY (Spares condition) (Ref. Drg. EA1.00.68)	1	—	LD1/2
EA1.20.1953	STRUCTURE, WING TIP, PORT, ASSEMBLY	—	—	LD1/3
EA1.20.1954	STRUCTURE, WING TIP, STARBOARD, ASSEMBLY	—	—	LD1/4
EA3.20.2443	PLATE, blanking, explosive bolt hole	1	DTD683	LD1/5
EA1.20.2471	PLATE, locking, explosive bolt hole	1	L72	LD1/6
A33C24	Attaching parts for EA3.20.2443 and EA1.20.2471: Screw, 2BA	1	—	LA1/7
EA3.00.5168	WING TIP, CENTRE, PORT, ASSEMBLY (Spares condition) (Ref. Drg. EA3.20.1023)	1	—	LD1/8
EA3.00.5169	WING TIP, CENTRE, STARBOARD, ASSEMBLY (Spares condition) (Ref. Drg. EA3.20.1024)	1	—	LD1/9
R EA3.20.1061	PANEL, access, explosive bolt	1	—	LD1/10
EA1.20.2399	PANEL, removable, fuel and air pipe access, port	1	—	LD1/11
EA1.20.2400	PANEL, removable, fuel and air pipe access, starboard	1	—	LD1/12
R EA1.20.2395	PANEL, top, access, port	1	—	LD1/13
R EA1.20.2396	PANEL, top, access, starboard	1	—	LD1/14
EEAS1/1C	Attaching parts for EA1.20.2395 and EA1.20.2396: Screw, 2BA	8	S96	LD1/15
EEAS1/1C	Attaching parts for EA3.00.5168 and EA3.00.5169: Screw, 2BA	10	S96	LD1/16
EA3.00.5170	WING TIP, FORWARD, PORT, ASSEMBLY (Spares condition) (Ref. Drg. EA1.20.2433)	1	—	LD1/17
EA3.00.5171	WING TIP, FORWARD, STARBOARD, ASSEMBLY (Spares condition) (Ref. Drg. EA1.20.2434)	1	—	LD1/18
R EA1.20.9151	COVER, navigation light	1	DTD846	LD1/19
EA3.20.3192	PANEL, ACCESS, NAVIGATION LIGHT, PORT	1	—	LD1/20
or				
EA3.20.3197	DOOR, ACCESS, NAVIGATION LIGHT, PORT	1	—	
R EA3.20.3191	PANEL, ACCESS, NAVIGATION LIGHT, STARBOARD	1	—	LD1/21
or				
EA3.20.3198	DOOR, ACCESS, NAVIGATION LIGHT, STARBOARD	1	—	
EA3.20.5069	PANEL, access, navigation light, lower, port (Mod.4152)	1	—	LD1/25
EA3.20.5070	PANEL, access, navigation light, lower, starboard (Mod.4152)	1	—	LD1/26
EA3.20.5073	PIECE, packing (Mod.4152)	1	—	LD1/27
EA3.20.5071	STRIP, backing (Mod.4152)	1	—	LD1/28
EA3.20.5072	STRIP, backing (Mod.4152)	1	—	LD1/29
EA3.00.5172	WING TIP, rear, port, assembly (Spares condition) (Ref. Drg. EA1.20.1955)	1	—	LD1/22
EA3.00.5173	WING TIP, rear, starboard, assembly (Spares condition) (Ref. Drg. EA1.20.1956)	1	—	LD1/23
EEAS1/2C	Attaching parts for EA3.00.5174 and EA3.00.5175: Screw, 2BA	92	S96	LD1/24

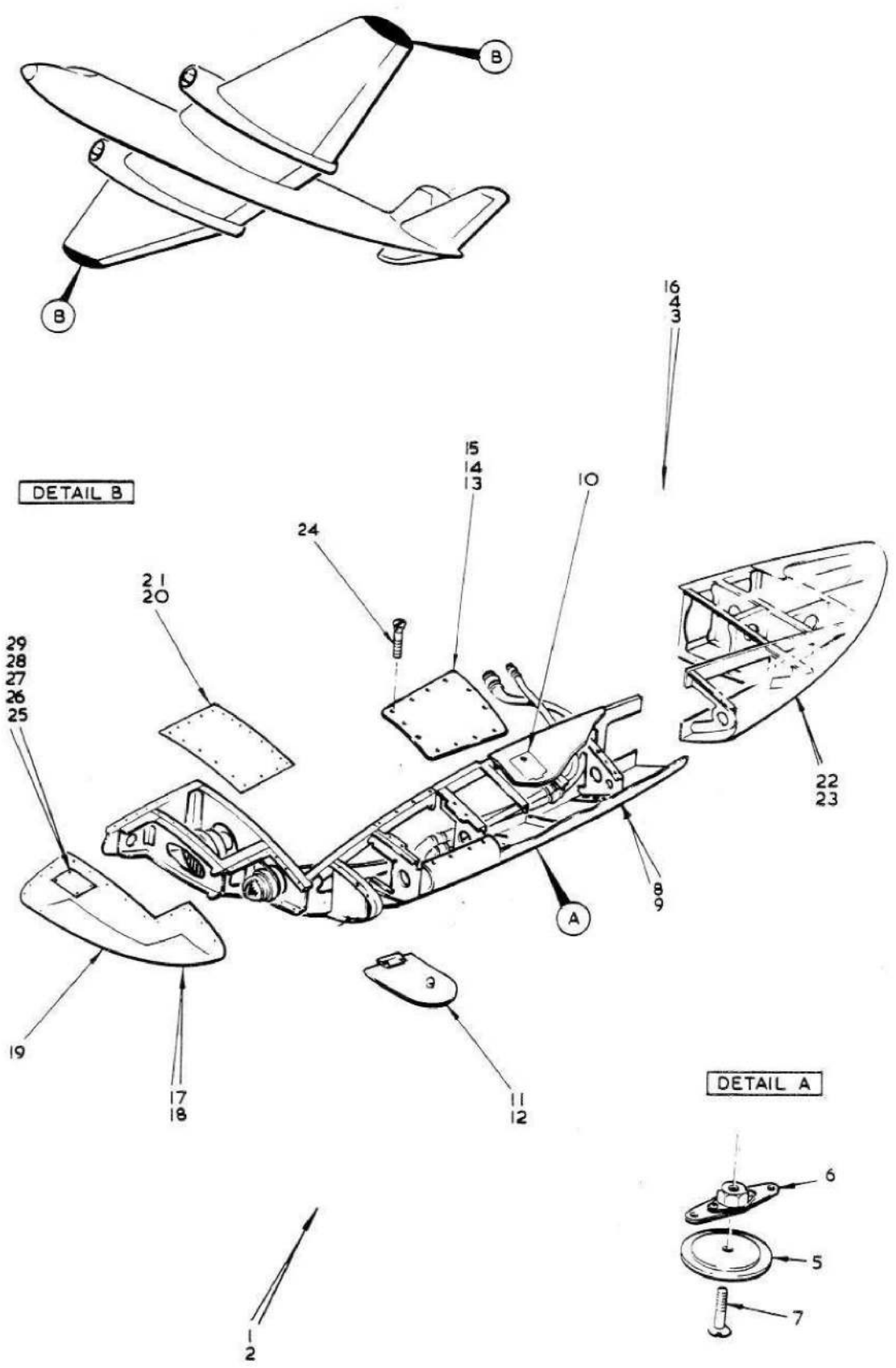


FIG 1 WING TIP PORT AND STARBOARD

This file was downloaded
from the RTFM Library.

Link: www.scottbouch.com/rtfm

Please see site for usage terms,
and more aircraft documents.

