

MAINPLANE
WING STRUCTURE

Part Number	Description	No. Off	Matl. Spec.	Plate No.
EA3.20.1	WING STRUCTURE, PORT, ASSEMBLY	—	—	
EA3.20.2	WING STRUCTURE, STARBOARD, ASSEMBLY	—	—	
	Spares for:—			
R EA3.20.5125	. ALTERATIONS TO MAIN SPAR ROOT END LOWER, PORT	—	—	
R EA3.20.5126	. ALTERATIONS TO MAIN SPAR ROOT END LOWER, STARBOARD	—	—	
	Spares for:—			
R EA3.20.5127	. . DOUBLER, external, lower, port	1	L73	
R EA3.20.5128	. . DOUBLER, external, lower, starboard	1	L73	
	Attaching parts for EA3.20.5127 and EA3.20.5128:—			
R EEAS1/3/C	. . Bolt, 2BA	19	—	
R EEAS1/5/C	. . Bolt, 2BA	18	—	
R EEAS1/5 ¹ / ₂ E	. . Bolt, ¹ / ₄ " BSF	7	—	
R EA3.20.5149	. . Bolt, special	14	—	
	or			
R EA3.20.5148	. . Bolt, special			
R AGS2001/C/1	. . Nut, 2BA	4	—	
R EA3.20.5157	. . Washer, special	2	—	
R EA3.20.5151	. . Washer, special	2	—	
EA1.20.1329	. ANGLE, attachment rear cowl to firewall, port	1	—	LE3/1
EA1.20.1330	. ANGLE, attachment rear cowl to firewall, starboard	1	—	LE3/2
	Attaching parts for EA1.20.1329 and EA1.20.1330:—			
A25/2C	. Bolt, 2BA	2	—	LE3/3
AS1242/2C	. Bolt, csk. head, 2BA	2	—	LE3/4
A27CT	. Nut	2	—	LE5A
EA1.20.1669	. Stud	2	—	LE3/5
EA1.20.145	. Tube, distance	2	—	LE3/6
AS470C	. Washer	2	—	LE3/5B
R EK5.20.675	. BALL-JOINT, U/C, SIDE STAY ATTACHMENT, PORT, ASSEMBLY (Pre-Mod 5344)	1	—	
R EA3.00.5715	. BALL-JOINT, U/C, SIDE STAY ATTACHMENT, PORT, (Spares for EK5.20.675) (Mod 5344)	1	—	LE8/1
R EK5.20.676	. BALL-JOINT, U/C, SIDE STAY ATTACHMENT, STARBOARD, ASSEMBLY (Pre-Mod 5344)	1	—	
R EA3.00.5716	. BALL-JOINT, U/C, SIDE STAY ATTACHMENT, STARBOARD, (Spares for EK5.20.676) (Mod 5344)	1	—	LE8/2
	Spares for:—			
EA1.20.1229	. . BEARING, BALL, SPHERICAL SEATED ASSEMBLY	1	—	LE8/3
	Spares for:—			
EA1.20.1231	. . . BUSH, bearing	2	DTD197	LE8/4
EA1.20.1233	. . BOLT, special, retaining ring attachment	8	S11	LE8/5
EA1.20.335	. . BRACKET, attachment, port (Pre Alt. R60/5)	1	DTD683	LE8/6
EK5.20.639	. . BRACKET, attachment, port (Alt. R60/5)	1	—	
EA1.20.336	. . BRACKET, attachment, starboard (Pre Alt. R60/5)	1	DTD682	LE8/7
EK5.20.640	. . BRACKET, attachment, starboard (Alt. R60/5)	1	—	
EA3.00.241	. . BUSH, bearing, port (EA1.20.1215 and EA1.20.1217) wired together)	1	DTD412	LE8/8
EA3.00.243	. . BUSH, bearing, starboard (EA1.20.216 and EA1.20.1218) wired together)	1	DTD412	LE8/9
EA1.20.1225	. . DOWEL, special ball bearing locating	2	S11	LE8/10
EA1.20.1235	. . DOWEL, special retaining ring location	1	S11	LE8/11
SP21	. . NIPPLE, lubricating	1	—	LE8/11A
EA1.20.1219	. . RING, retaining, bottom	1	DTD124	LE8/12
EA1.20.1221	. . RING, retaining, top, port	1	DTD124	LE8/13
EA1.20.1222	. . RING, retaining, top, starboard	1	DTD124	LE8/14

MAINPLANE
WING STRUCTURE

Part Number	Description	No. Off	Mati. Spec.	Plate No.
EA3.20.2497	. BRACKET, SHOOT BOLT ON U/C DOOR, PORT ASSEMBLY	1	—	LE8/43
EA3.20.2498	. BRACKET, SHOOT BOLT ON U/C DOOR, STARBOARD, ASSEMBLY	1	—	LE8/44
	Spares for:			
EA1.20.1793	. . BRACKET, port	1	—	
EA1.20.1794	. . BRACKET, starboard	1	—	
EA3.20.2275	. . PAD, port	1	—	LE8/45
EA3.20.2276	. . PAD, starboard	1	—	LE8/46
	Attaching parts for EA3.20.2275 and EA3.20.2276:			
AGS2001C1/66	. . Nut, stiff, 2BA	3	—	LE8/47
EEAS1/2C	. . Screw, 2BA	3	S96	LE8/48
SP13C	. . Washer	3	—	LE8/48A
	Attaching parts for EA3.20.2497 and EA3.20.2498:			
A25/4C	. Bolt, 2BA	2	—	LE8/49
A27CP	. Nut, 2BA	2	—	LE8/50
EA1.20.2223	. Plate, washer	2	—	LE8/51
EB6.20.479	. COVER, cold air unit (Mod.2523 — S.O.O.)	1	L72	
	Attaching parts for EB6.20.479:			
T.P. HEADLAND LTD.				
F4/30	. Fastener, dzus	4	—	
GF4/150	. Grommet, dzus	4	—	
S4/250	. Spring, dzus	4	—	
EA3.00.138	. COWLING, removable, at end of jet pipe (for A/C WD929-931, 933-938, 941-959 and WP514, supplied with trim allowance, pilot holes drilled) (For non-interchangeable A/C only)	1	—	
EA3.20.3027	. COWLING, REMOVABLE, JET PIPE END, PORT, ASSEMBLY	1	—	LE3/7
EA3.20.3028	. COWLING, REMOVABLE, JET PIPE END, STARBOARD, ASSEMBLY	1	—	LE3/8
	Spares for:			
EA1.20.8261	. . CONE, jet end	1	—	LE3/9
	Attaching parts for EA1.20.8261:			
AS1248/1C	. . Bolt, mush. head, 2BA	18	—	LE3/10
EA3.20.3413	. GENERATOR VORTEX PORT, ASSEMBLY	1	—	
EA3.20.3414	. GENERATOR VORTEX STARBOARD, ASSEMBLY	1	—	
	Spares for:			
EA3.20.3411	. . GENERATOR, vortex	2	L72	LE5/1
EA1.20.1157	. MOUNTING JET PIPE, ASSEMBLY	2	—	LE3/11
	Spares for:			
EA1.20.1135	. . BLOCK	1	—	LE3/12
EA1.20.1133	. . BOLT, eccentric	1	—	LE3/13
EA1.20.1137	. . NUT	1	—	LE3/14
EA1.20.1139	. . WASHER, locking	1	—	LE3/15
	Attaching parts for EA1.20.1157:			
A25/33E	. Bolt, 1/4" BSF	2	—	LE3/16
AGS2002E1	. Nut, stiff, 1/4" BSF	2	—	LE3/17
SP15E	. Washer	2	—	LE3/17A
EA1.20.263	. NACELLE, ENGINE LOWER AFT, PORT, ASSEMBLY	1	—	LE3/18
EA1.20.264	. NACELLE, ENGINE LOWER AFT, STARBOARD, ASSEMBLY	1	—	LE3/19
EA1.20.261	. NACELLE, ENGINE UPPER AFT	1	—	LE3/20

MAINPLANE
WING STRUCTURE

Part Number	Description	No. Off	Matl. Spec.	Plate No.
EA3.20.1809	. NUT, special	2	S80	LE5/2
EA3.20.1811	. NUT, special	2	S80	LE5/3
EA3.20.355	. PANEL, closing bottom skin between ribs 1 and 7, inner wing, port (Pre Alt. R60/25)	1	—	LE5/4
EA3.20.356	. PANEL, closing bottom skin between ribs 1 and 7, inner wing, starboard (Pre Alt. R60/25)	1	—	LE5/5
EA1.20.2233	. PANEL, closing bottom skin between ribs 1 and 3, outer wing, port	1	—	LE5/6
EA1.20.2234	. PANEL, closing bottom skin between ribs 1 and 3, outer wing, starboard	1	—	LE5/7
EA3.20.379	. PANEL, closing bottom skin between ribs 2 and 4, outer wing, port	1	—	LE5/8
EA3.20.380	. PANEL, closing bottom skin between ribs 2 and 4, outer wing, starboard	1	—	LE5/9
EA3.20.313	. PANEL, closing bottom skin between ribs 4 and 8, outer wing, port	1	—	LE5/10
EA3.20.314	. PANEL, closing bottom skin between ribs 4 and 8, outer wing, starboard	1	—	LE5/11
EA4.20.161	. PANEL, detachable, ribs 1 and 2 (Mod.2523 – S.O.O.) Attaching parts for EA4.20.161:	1	—	
AGS2001C1/66	. Nut, stiff, 2BA	30	—	
EEAS1/2C	. Screw, 2BA	30	S96	
SP15C	. Washer	30	—	
EA3.20.4311	. PANELS, CLOSING, INNER WING, TRAILING EDGE, PORT INSTALLATION (ALT. R60/25)	—	—	
EA3.20.4312	. PANELS, CLOSING, INNER WING, TRAILING EDGE, STARBOARD INSTALLATION (ALT. R60/25)	—	—	
EA3.20.4485 PANEL, closing, bottom skin, inner wing, ribs 2 to 6, port Spares for:	1	—	
EA3.20.685 DOOR, access Attaching parts for EA3.20.685:	1	—	
EEAS1/2E Screw, 1/4" BSF, csk. head	28	—	
EA3.20.4486 PANEL, closing, bottom skin, inner wing, ribs 2 to 6, starboard Spares for:	1	—	
EA3.20.685 DOOR, access Attaching parts for EA3.20.685:	1	—	
EEAS1/2E Screw, 1/4" BSF, csk. head	28	—	
EA3.20.4487 PANEL, closing, bottom skin, inner wing, ribs 6 to 7, port	1	—	
EA3.20.4488 PANEL, closing, bottom skin, inner wing, ribs 6 to 7, starboard	1	—	

MAINPLANE
WING STRUCTURE

	Part Number	Description	No. Off	Matl. Spec.	Plate No.
R	EA3.20.4425	. PANELS, CLOSING, OUTER WING, TRAILING EDGE, PORT INSTALLATION (ALT. R60/25)	-	-	
R	EA3.20.4426	. PANELS, CLOSING, OUTER WING, TRAILING EDGE, STARBOARD, INSTALLATION (ALT. R60/25)	-	-	
R	EA3.20.4555 PANEL, closing, ribs 4 to 5, port	1	-	
R	EA3.20.4556 PANEL, closing, ribs 4 to 5, starboard	1	-	
R	EA3.20.4557 PANEL, closing, ribs 5 to 6, port	1	-	
R	EA3.20.4558 PANEL, closing, ribs 5 to 6, starboard	1	-	
R	EA3.20.4559 PANEL, closing, ribs 6 to 7, port	1	-	
R	EA3.20.4560 PANEL, closing, ribs 6 to 7, starboard	1	-	
R	EA3.20.4561 PANEL, closing, ribs 7 to 8, port	1	-	
R	EA3.20.4562 PANEL, closing, ribs 7 to 8, starboard	1	-	
	EA3.04.11141	. PLATE, BLANKING, INSTALLATION (MOD.2523 - S.O.O.) Spares for:	-	-	
	EA3.04.11143 PLATE, blanking, inboard engine rib Attaching parts for EA3.04.11143:	1	-	
	A25½C Bolt, 2BA	4	-	
	AGS2001C1/66 Nut, stiff, 2BA	4	-	
	EA3.20.4041	. REPAIR OF INNER AND OUTER ENGINE RIBS, PORT (MOD.4960)	-	-	
	EA3.20.4042	. REPAIR OF INNER AND OUTER ENGINE RIBS, STARBOARD (MOD.4960) Spares for:	-	-	
	EA3.20.4031 REPAIR TO OUTBOARD L/E ENGINE RIB NO.1, PORT	-	-	
	EA3.20.4032 REPAIR TO OUTBOARD L/E ENGINE RIB NO.1, STARBOARD Spares for:	-	-	
	EA3.20.4021 CLEAT, lower, port	1	-	LE9/1
	EA3.20.4022 CLEAT, lower, starboard Attaching parts for EA3.20.4021 and EA3.20.4022:	1	-	LE9/2
	EA3.20.4053 Bolt, special	5	-	LE9/3
	A27LT Nut, thin	5	-	LE9/4
	EA3.20.4055 Washer, special	5	-	LE9/5
	SP125L Washer	5	-	LE9/6
	EA3.20.4023 CLEAT, upper Attaching parts for EA3.20.4023:	1	-	LE9/7
	EA3.20.4053 Bolt, special	4	-	LE9/8
	EA3.20.227 Eye-bolt, port	1	-	LE9/9
	EA3.20.228 Eye-bolt, starboard	1	-	LE9/10
	A27LT Nut, thin	4	-	LE9/11
	A27NS Nut, slotted	1	-	LE9/12
	SP90E10 Pin, split	1	-	LE9/13
	EA3.20.4055 Washer, special	4	-	LE9/14
	SP125L Washer	4	-	LE9/15
	EA3.20.4049 PACKING	1	-	LE9/16

MAINPLANE
WING STRUCTURE

Part Number	Description 1 2 3 4 5 6	No. Off	Matl. Spec.	Plate No.

MAINPLANE
WING STRUCTURE

Part Number	Description	No. Off	Matl. Spec.	Plate No.
EA3.20.4035	REPAIR TO OUTBOARD T/E ENGINE RIB, NO.1 LOWER, PORT	—	—	
EA3.20.4036	REPAIR TO OUTBOARD T/E ENGINE RIB, NO.1 LOWER, STARBOARD	—	—	
	Spares for:—			
EA3.20.4025	CLEAT, port	1	—	LE9/17
EA3.20.4026	CLEAT, starboard	1	—	LE9/18
	Attaching parts for:—			
EA3.20.4063	Bolt, special	5	—	LE9/19
EA3.03.65	Bolt, special	2	—	LE9/20
A27LT	Nut, thin	5	—	LE9/21
EA3.20.1809	Nut, special, inboard	1	—	LE9/22
EA3.20.1811	Nut, special, outboard	1	—	LE9/23
SP90G10	Pin, split	1	—	LE9/24
EA3.20.4065	Washer, special	5	—	LE9/25
SP125L	Washer	5	—	LE9/26
SP13S	Washer	2	—	LE9/27
EA3.20.4173	PLATE, joint	1	—	LE9/28
	Attaching parts for EA3.20.4173:—			
A25/6C	Bolt, 2 BA	16	—	LE9/29
A27CT	Nut, 2 BA, thin	16	—	LE9/30
SP124C	Washer	16	—	LE9/31
EA3.20.4033	REPAIR TO OUTBOARD T/E ENGINE RIB NO.1 UPPER, PORT	—	—	
EA3.20.4034	REPAIR TO OUTBOARD T/E ENGINE RIB NO.1 UPPER, STARBOARD	—	—	
	Spares for:—			
EA3.20.4026	CLEAT, port	1	—	LE9/32
EA3.20.4025	CLEAT, starboard	1	—	LE9/33
	Attaching parts for EA3.20.4026 and EA3.20.4025:—			
EA3.20.4063	Bolt, special	5	—	LE9/34
EA3.03.65	Bolt, special	2	—	LE9/35
A27LT	Nut, thin	5	—	LE9/36
EA3.20.1809	Nut, special, inboard	1	—	LE9/37
EA3.20.1811	Nut, special, outboard	1	—	LE9/38
SP90G10	Pin, split	1	—	LE9/39
EA3.20.4065	Washer, special	5	—	LE9/40
SP125L	Washer	5	—	LE9/41
SP16R	Washer	2	—	LE9/42
EA3.20.4049	PACKING	1	—	LE9/43
EA3.20.4173	PLATE, joint	1	—	LE9/44
	Attaching parts for EA3.20.4173:—			
A25/6C	Bolt, 2 BA	16	—	LE9/45
A27CT	Nut, 2 BA, thin	16	—	LE9/46
SP124C	Washer	16	—	LE9/47

MAINPLANE
WING STRUCTURE

Part Number	Description	No. Off	Matl. Spec.	Plate No.
EA3.20.4037	REPAIR TO INNER WING T/E, RIB NO.7, PORT	—	—	
EA3.20.4038	REPAIR TO INNER WING T/E, RIB NO.7, STARBOARD	—	—	
	Spares for:—			
EA3.20.4075	BUTTSTRAP, lower	1	—	LE10/1
EA3.20.4077	BUTTSTRAP, upper	1	—	LE10/2
	Attaching parts for EA3.20.4075 and EA3.20.4077:—			
A25/6C	Bolt, 2 BA	16	—	LE10/3
A27CT	Nut, 2 BA, thin	16	—	LE10/4
SP13C	Washer	16	—	LE10/5
EA3.20.4027	CLEAT, upper port, lower starboard	1	—	LE10/6
EA3.20.4028	CLEAT, lower port, upper starboard	1	—	LE10/7
	Attaching parts for EA3.20.4027 and EA3.20.4028:—			
EA3.20.4063	Bolt, special	5	—	LE10/8
EA3.03.64	Bolt, special, lower cleat	2	—	LE10/9
EA3.03.63	Bolt, special, upper cleat	2	—	LE10/10
A27LT	Nut, thin	5	—	LE10/11
A27QP	Nut, lower cleat	2	—	LE10/12
A27SP	Nut, upper cleat	2	—	LE10/13
EA3.20.4095	Washer, special	5	—	LE10/14
SP125L	Washer	5	—	LE10/15
EA1.20.2295	Washer, special, lower cleat	2	—	LE10/16
EA1.20.2327	Washer, special, lower cleat	2	—	LE10/17
SP16S	Washer, upper cleat	2	—	LE10/18
EA3.20.4049	PACKING	2	—	LE10/19
EA3.20.4039	REPAIR TO INNER WING T/E ENGINE RIB, NO.6, PORT	—	—	
EA3.20.4040	REPAIR TO INNER WING T/E ENGINE RIB, NO.6, STARBOARD	—	—	
	Spares for:—			
EA3.20.4029	CLEAT	2	—	LE10/20
	Attaching parts for EA3.20.4029:—			
EA3.20.4091	Bolt, special	5	—	LE10/21
EA3.03.73	Bolt, special, inboard	1	—	LE10/22
EA3.03.72	Bolt, special, outboard	1	—	LE10/23
A27GT	Nut, thin	5	—	LE10/24
A27QP	Nut	2	—	LE10/25
EA3.20.4093	Washer, special	5	—	LE10/26
A27GT	Washer	5	—	LE10/27
SP122Q	Washer	2	—	LE10/28
EA3.20.4089	PACKING	1	—	LE10/29

MAINPLANE
WING STRUCTURE

Part Number	Description	No. Off	Matl. Spec.	Plate No.
EA1.20.203	. RING, rear cowl false spar connecting Attaching parts for EA1.20.203:	1	—	LE3/21
A25/9C	. Bolt, 2BA	20	—	LE3/22
AGS2002C1	. Nut, stiff, 2BA	20	—	LE3/23
SP15C	. Washer	20	—	LE3/24
EEAS1/1½C	. SCREW, 2BA	QR	—	
EEAS1/2C	. SCREW, 2BA	QR	—	
EEAS1/3½C	. SCREW, 2BA	QR	—	
EEAS1/5E	. SCREW, ½"	8	—	
EA3.20.363	. SHROUD, inboard, aileron centre hinge	1	—	LE1/1
EA3.20.365	. SHROUD, outboard, aileron centre hinge	1	—	LE1/2
EA3.20.1183	. SHROUD, inboard, aileron hinge, port	1	—	LE1/3
EA3.20.1184	. SHROUD, inboard, aileron hinge, starboard	1	—	LE1/4
EA3.20.5	. SPAR, MAIN PORT, ASSEMBLY	1	—	
EA3.20.6	. SPAR, MAIN STARBOARD, ASSEMBLY	1	—	
	Spares for:			
EA1.20.2911	. . . BOOM, SPAR, LOWER, PORT, ASSEMBLY	1	—	
EA1.20.2912	. . . BOOM, SPAR, LOWER, STARBOARD, ASSEMBLY	1	—	
	Spares for:			
EA1.20.3417 BUSH, outboard, fuselage pick-up	1	—	
EA1.20.3419 BUSH, inboard, fuselage pick-up	1	—	
EA3.20.4129 BUSH (MOD.5027)	AR	—	
EA3.20.4131 BUSH, oversize (Mod.5027)	AR	—	
EA3.20.4133 BUSH, oversize (Mod.5027)	AR	—	
EA1.20.2909	. . . BOOM, SPAR, UPPER, PORT, ASSEMBLY	1	—	
EA1.20.2910	. . . BOOM, SPAR, UPPER, STARBOARD, ASSEMBLY	1	—	
	Spares for:			
EA1.20.3417 BUSH, outboard, fuselage pick-up	1	—	
EA1.20.3419 BUSH, inboard, fuselage pick-up	1	—	
EA1.20.2665	. . . BRACKET, ATTACHMENT, AIR BRAKE JACK, PORT ASSEMBLY	1	—	
EA1.20.2666	. . . BRACKET, ATTACHMENT, AIR BRAKE JACK, STARBOARD ASSEMBLY	1	—	
	Spares for:			
EA1.20.2949 ANGLE, port	1	—	
EA1.20.2950 ANGLE, starboard	1	—	
EA1.20.2952 ANGLE, port	1	—	
EA1.20.2951 ANGLE, starboard	1	—	
EA1.20.2667 BRACKET, port	1	—	
EA1.20.2668 BRACKET, starboard	1	—	
EA1.20.2917 BUSH	2	—	
EA1.20.3017	. . . BRACKET, wall, aileron control lever	1	L65	
EA1.20.3019	. . . BRACKET, wall, aileron control lever	1	L65	
EA1.20.143	. . . FERRULE	48	S96	
EA1.20.2037	. . . SPOKE, special	2	S96	
EA3.20.59	. . . STUD	24	S96	
EA1.20.987	. . . TUBE, distance	4	L62	

MAINPLANE
WING STRUCTURE

Part Number	Description	No. Off	Matl. Spec.	Plate No.
EA1.20.1327	. SKID, main u/c, hinged flap, operating, port	1	—	
EA1.20.1328	. SKID, main u/c, hinged flap, operating, starboard	1	—	
EK5.20.641	. STRUT, undercarriage tie, port (Pre—Mod 5344)	1	—	
EA3.00.5717	. STRUT, undercarriage tie, port (Spares for EK5.20.641) (Mod 5344)	1	—	LE8/52
EK5.20.642	. STRUT, undercarriage tie, starboard (Pre—Mod 5344)	1	—	
EA3.00.5718	. STRUT, undercarriage tie, starboard (Spares for EK5.20.642) (Mod 5344)	1	—	LE8/53
	Attaching parts for EK5.20.641 and EK5.20.642:—			
A60/16L	. Bolt, shear, 7/16" BSF	2	—	LE8/54
A60/8N	. Bolt, shear, 1/2" BSF	1	—	LE8/55
A58LS	. Nut, 7/16" BSF	2	—	LE8/56
A58NS	. Nut, 1/2" BSF	1	—	LE8/57
SP90C7	. Pin, split	3	—	LE8/56A
SP15L	. Washer	2	—	LE8/54A
SP16N	. Washer	1	—	LE8/57A
EA1.20.2989	. STUD, special, undercarriage jack attachment, bracket end Attaching parts for EA1.20.2989:—	1	S11	LE8/58
EA3.20.897	. Pin, special	1	S92	LE8/59
EA1.20.575	. Washer, plate	1	L40	LE8/54B
EA3.20.1211	. Washer, plate	1	L40	LE8/54C
EA1.20.2295	. WASHER, undercarriage bracket top bolt	2	S11	LE8/60
EA1.20.2327	. WASHER, undercarriage bracket bottom bolt	2	S11	LE8/61
EA1.20.2991	. WASHER, undercarriage jack attachment bracket end Attaching parts for EA1.20.2991:—	1	DTD126	LE8/62
A27NS	. Nut, slotted	1	—	LE8/62A
SP90E10	. Pin, split	1	—	LE8/62B

MAINPLANE
WING STRUCTURE

Part Number	Description	No. Off	Matl. Spec.	Plate No.
EA3.20.11	. WING, CENTRE, AFT OF SPAR, PORT, ASSEMBLY	-	-	
EA3.20.12	. WING, CENTRE, AFT OF SPAR, STARBOARD, ASSEMBLY	-	-	
	Spares for:-			
EA1.20.281	. . RIB, CENTRE WING, AFT, NO. 4, PORT, ASSEMBLY	-	-	
EA1.20.282	. . RIB, CENTRE WING, AFT, NO. 4, STARBOARD, ASSEMBLY	-	-	
EA1.20.643	. . . BRACKET, mounting, aileron lever, port	1	-	LE1/5
EA1.20.644	. . . BRACKET, mounting, aileron lever, starboard	1	-	LE1/6
EA1.20.645	. . . BRACKET, mounting, aileron lever, port	1	-	LE1/5A
EA1.20.646	. . . BRACKET, mounting, aileron lever, starboard	1	-	LE1/6A
EA1.20.465	. . . BRACKET, wall aileron lever brackets, port	2	-	LE1/7
EA1.20.681	. . . STAY, side, aileron lever bracket, port	1	-	LE1/8
EA1.20.682	. . . STAY, side, aileron lever bracket, starboard	1	-	LE1/8A
EA1.20.319	. . MEMBER, TORQUE, REAR WALL, PORT ASSEMBLY	-	-	
EA1.20.8271	. . MEMBER, TORQUE, REAR WALL, STARBOARD ASSEMBLY	-	-	
	Spares for:-			
EA1.20.7075	. . . ANGLE, attachment, port	1	-	
EA1.20.7079	. . . ANGLE, attachment, port	1	-	
EA1.20.8005	. . . ANGLE, attachment, starboard	1	-	
EA1.20.751	. . . BRACKET, LEVER ASSEMBLY (PRE-MOD 5105)	1	-	LE4/1
EA1.20.11075	. . . BRACKET, LEVER ASSEMBLY (MOD 5105)	1	-	
	Spares for:-			
EA1.20.761 BRACKET, lever (Pre-Mod 5105)	1	-	
EA3.20.5173 BRACKET, lever (Mod 5105)	1	-	
EA1.20.771 BUSH (Pre-Mod 5105)	1	S15	
EA3.20.5187 BUSH (Matched pair) (Mod 5105)	2	S82	

MAINPLANE
WING STRUCTURE

Part Number	Description	No. Off	Matl. Spec.	Plate No.
EA1.20.735	LEVER, BELLCRANK FLAP OPERATION GROUP Consisting of:—	1	—	LE4/2
EA1.25.65	BOLT, special	1	S11	LE4/3
EA1.20.739	BUSH	1	DTD265	LE4/4
EA1.20.741	BUSH	1	DTD265	LE4/5
EA1.20.745	BUSH	1	DTD265	LE4/28
EA1.20.737	LEVER, bellcrank	1	DTD683	LE4/6
SP21	NIPPLE, lubricating	1	—	LE4/32A
A27JS	NUT, 3/8" BSF	1	—	LE4/7
SP90C8	PIN, split	1	—	LE4/7A
EA1.20.743	WASHER, special	2	L1	LE4/8
EEAS5	WASHER, fibre	1	BSS216	LE4/32
EEAS28/37EU	WASHER, special, 18SWG	1	DTD124	LE4/9
	Attaching parts for EA1.20.735:—			
A27SS	Nut	1	—	LE4/34
SP90H13	Pin, split	1	—	LE4/34B
SP15S	Washer	1	—	LE4/34A
EA1.20.749	SPINDLE LEVER Spares for:—(Repair)	1	—	LE4/10
ASD514RS1	WASHER, special, 22 SWG	—	S520	
ASD514RS2	WASHER, special, 24 SWG	—	S520	
ASD514RS3	WASHER, special, 26 SWG	—	S520	
ASD514RS4	WASHER, special, 28 SWG	—	S520	
ASD514RS5	WASHER, special, 30 SWG	—	S520	
EA1.20.3159	BRACKET, LEVER, ASSEMBLY, PORT ONLY (PRE-MOD 5105)	1	—	LE4/11
EA1.20.11085	BRACKET, LEVER, ASSEMBLY, PORT ONLY (MOD 5105) Spares for:—	1	—	
EA1.20.761	BRACKET, lever (Pre-Mod 5105)	1	—	
EA3.20.5173	BRACKET, lever (Mod 5105)	1	—	
EA1.20.771	BUSH (Pre-Mod 5105)	1	S15	
EA3.20.5187	BUSH (Matched pair) (Mod 5105)	2	S82	
EA1.20.3135	LEVER, BELLCRANK C/W LUG FLAP OPERATION GROUP, PORT, ONLY Consisting of:—	1	—	LE4/12
EA1.25.65	BOLT, special	1	S11	LE4/3
EA1.20.739	BUSH	1	DTD265	LE4/4
EA1.20.741	BUSH	1	DTD265	LE4/5
EA1.20.745	BUSH	—	—	LE4/28
EA1.20.3137	LEVER, bellcrank	1	DTD683	LE4/13
SP21	NIPPLE, lubricating	1	—	LE4/32A
A27JS	NUT, 3/8" BSF	1	—	LE4/14
SP90C8	PIN, split	1	—	LE4/7A
EA1.20.743	WASHER, special	2	L1	LE4/8
EEAS5	WASHER, fibre	1	BSS216	LE9/32
EEAS28/37EU	WASHER, special, 18 SWG	1	DTD124	LE4/9
	Attaching parts for EA1.20.3135:—			
A27SS	Nut	1	—	LE4/34
SP90H13	Pin, split	1	—	LE4/34B
SP15S	Washer	1	—	LE4/34A
EA1.20.749	SPINDLE LEVER Spares for:—(Repair)	1	—	LE4/10
ASD514RS1	WASHER, special, 22 SWG	—	S520	
ASD514RS2	WASHER, special, 24 SWG	—	S520	
ASD514RS3	WASHER, special, 26 SWG	—	S520	
ASD514RS4	WASHER, special, 28 SWG	—	S520	
ASD514RS5	WASHER, special, 30 SWG	—	S520	
EA1.20.321	BUSH	1	—	LE4/15

MAINPLANE
WING STRUCTURE

Part Number	Description	No. Off	Mati. Spec.	Plate No.
R EA3.20.2607	. . SHROUD, FLAP, INBOARD ASSEMBLY, PORT, (Pre-Mod 5344)	1	-	
R EA3.00.5801	. . SHROUD, FLAP, INBOARD ASSEMBLY, PORT, (Spares for EA3.20.2607) (Mod 5344)	1	-	LE4/16
R EA3.20.2608	. . SHROUD, FLAP, INBOARD ASSEMBLY, STARBOARD, (Pre-Mod 5344)	1	-	
R EA3.00.5723	. . SHROUD, FLAP, INBOARD ASSEMBLY, STARBOARD, (Spares for EA3.20.2608) (Mod 5344) Spares for:-	1	-	LE4/17
EA3.20.2513	. . . PANEL, access	1	L72	LE4/18
EA3.20.2515	. . . PANEL, access Attaching parts for EA3.20.2513 and EA3.20.2515:-	1	L72	LE4/19
EEAS1/1C	. . . Screw, 2BA	14	S96	LE4/20
EA3.20.1977	. . . STOP, flap	8	-	LE4/21
EA3.00.229	. WING EXTENSION, PORT, ASSEMBLY (EA1.20.1865)	1	-	LE5/12
EA3.00.230	. WING EXTENSION, STARBOARD, ASSEMBLY (EA1.20.1866) Spares for:-	1	-	LE5/13
EA1.20.1977	. . . PANEL, access Attaching parts for EA1.20.1977:-	1	-	LE5/14
EEAS2/1 ¹ / ₂ C	. . . Screw, 2BA	12	S96	LE5/15
EA1.20.2473	. . . PLATE, blanking, explosive bolt holes	2	-	LE5/16
EA1.20.2471	. . . PLATE, locking, explosive bolt holes Attaching parts for EA1.20.2473 and EA1.20.2471:- (Per Pair)	2	-	LE5/17
A33C24	. . . Screw, 2BA	1	-	LE5/18
EA1.20.1873	. . SKIN, TOP, PORT, ASSEMBLY	-	-	
EA1.20.1874	. . SKIN, TOP, STARBOARD, ASSEMBLY Spares for:-	-	-	
EA3.20.1063	. . . PANEL, access explosive bolt	1	-	LE6/1
EA3.20.1065	. . . PANEL, access explosive bolt	1	-	LE6/2
EA3.20.879	. . STOP-BOLT	1	-	LE6/3

MAINPLANE
WING STRUCTURE

Part Number	Description	No. Off	Mati. Spec.	Plate No.
EA3.20.13	. WING, INNER LEADING EDGE, PORT ASSEMBLY	—	—	
EA3.20.14	. WING, INNER LEADING EDGE, STARBOARD ASSEMBLY	—	—	
EA1.20.1349	Spares for: . . . BLOCK, stop, undercarriage	1	L40	LE7/1
	Attaching parts for EA1.20.1349:			
A25/29E	. . . Bolt, 1/4" BSF	3	—	LE7/2
A27ES	. . . Nut, 1/4" BSF	3	—	LE7/4
SP90C7	. . . Pin, split	3	—	LE7/4B
SP90G4	. . . Pin, split	2	—	LE7/3
EA1.20.1355	. . . Shim	1	L72	LE7/5
EA3.20.1067	. . . Shim	1	—	LE7/6
SP16E	. . . Washer	3	—	LE7/4A
EA1.20.1251	. . . BOLT, special, undercarriage 'up' lock hook pivot	1	S65	LE7/7
EA1.20.1369	. . . BOLT, locking 'up' lock pivot bolt	1	—	LE7/8
or				
A31B8	. . . SCREW	1	—	
EA3.20.1153	. . . BRACKET, undercarriage 'up' lock, port	1	DTD683	LE7/9
EA3.20.1154	. . . BRACKET, undercarriage 'up' lock, starboard	1	DTD683	LE7/10
	Spares for:			
EA1.20.1369	. . . BOLT, locking (alternative to A31B8)	1	—	LE7/9A
A31B8	. . . SCREW (alternative to EA1.20.1369)	1	—	
	Attaching parts for EA3.20.1153 and EA3.20.1154:			
A25/7J	. . . Bolt, 3/8" BSF	3	—	LE7/11
or				
A25/8J	. . . Bolt, 3/8" BSF	3	—	
AS1242/7J	. . . Bolt, 3/8" BSF	1	—	LE7/12
or				
AS1242/8J	. . . Bolt, 3/8" BSF	1	—	
A27JP	. . . Nut, 3/8" BSF	3	—	LE7/13
AGS2001J1	. . . Nut, 3/8" BSF	1	—	LE7/14
EA3.20.2969	. . . Shim	1	L72	LE7/15
SP16J	. . . Washer	3	—	LE7/15A
EA3.20.2495	. . . BRACKET, SHOOT BOLT, PORT, ASSEMBLY	1	—	
EA3.20.2496	. . . BRACKET, SHOOT BOLT, STARBOARD, ASSEMBLY	1	—	
	Spares for:			
EA1.20.1791	. . . BRACKET, PORT, ASSEMBLY	1	—	
EA1.20.1792	. . . BRACKET, STARBOARD, ASSEMBLY	1	—	
	Spares for:			
EA1.20.2231	. . . BRACKET, shoot bolt	1	—	
EA3.20.2273	. . . PAD	1	—	
	Attaching parts for EA3.20.2273:			
AS1242/1C	. . . Bolt, 2BA	2	—	
AGS2001C1	. . . Nut, 2BA	2	—	

AP101B-0402-3A

MAINPLANE
WING STRUCTURE

Part Number	1 2 3 4 5 6	Description	No. Off	Matl. Spec.	Plate No.
EA1.20.1249		BRACKET, tension spring attachment, port (Pre Mod.4449)	1	—	LE7/16
EA3.20.3419		BRACKET, tension spring attachment, port (Mod 4449 — S.O.O.)	1	—	
EA1.20.1250		BRACKET, tension spring attachment, starboard (Pre Mod.4449)	1	—	LE7/17
EA3.20.3420		BRACKET, tension spring attachment, starboard (Mod.4449 — S.O.O.) Attaching parts for EA1.20.1249, EA3.20.3419, EA1.20.1250 and EA3.20.3420:	1	—	
A25/3C		Bolt, 2BA	2	—	LE7/18
A27CT		Nut, 2BA	2	—	LE7/19
SP15C		Washer	2	—	LE7/19A
R EA3.20.1207		BRACKET MAIN UNDERCARRIAGE AND RIB 7 PORT ASSEMBLY	1	—	LE7/20
R EA3.20.1208		BRACKET MAIN UNDERCARRIAGE AND RIB 7 STARBOARD ASSEMBLY Spares for:	1	—	LE7/21
EA3.20.1205		BRACKET, main forging, port (Pre Mod.4271)	1	—	
EA3.20.5063		BRACKET, main forging, port (Mod.4271)	1	—	LE7/22
EA3.20.1206		BRACKET, main forging, starboard (Pre Mod.4271)	1	—	
EA3.20.5064		BRACKET, main forging, starboard (Mod.4271)	1	—	LE7/23
EA1.20.1665		BRACKET, side forging, port	1	—	LE7/24
EA1.20.1666		BRACKET, side forging, starboard Attaching parts for EA3.20.5063, EA3.20.5064, EA1.20.1665 and EA1.20.1666: (Per Pair)	1	—	LE7/25
R A25/5G		Bolt, 5/16" BSF	7	—	LE8/64
R A25/7G		Bolt, 5/16" BSF	2	—	LE8/65
A25/22L		Bolt, 7/16" BSF	1	—	LE7/26
A25/23L		Bolt, 7/16" BSF	1	—	LE7/27
A25/9N		Bolt, 1/2" BSF	6	—	LE7/28
R A27/GT		Nut, thin, 5/16" BSF	9	—	LE8/66
A27LP		Nut, 7/16" BSF	2	—	LE7/29
A27NP		Nut, 1/2" BSF	6	—	LE7/30
SP15L		Washer	2	—	LE7/29A
SP16N		Washer	6	—	LE7/30A
R EA3.20.1057		Washer, special	9	L40	LE8/63
EA3.20.4013		CLEAT (MOD.4933) Attaching parts for EA3.20.4013:	1	—	LE7/30B
A59/5N		Bolt, 1/2" BSF	3	—	LE7/30C
EC1.20.6173		Eye-bolt, port	1	—	LE7/31
EC1.20.6174		Eye-bolt, starboard	1	—	LE7/32
A27NP		Nut, 1/2" BSF	3	—	LE7/32A
A27PP		Nut, 1/2" BSF	1	—	LE7/32B
EA3.20.4015		Shim (if required)	1	—	
EA3.20.4017		Shim (if required)	1	—	
EA3.20.4019		Shim (if required)	1	—	
SP124N		Washer, 1/2"	3	—	LE7/32C

MAINPLANE
WING STRUCTURE

Part Number	Description	No. Off	Matl. Spec.	Plate No.
EA3.20.183	. . . PLATE, tie support, upper, port (Supplied to Drg. EA3.00.665 for spares purposes)	1	DTD687	LE7/33
EA3.20.184	. . . PLATE, tie support, upper, starboard (Supplied to Drg. EA3.00.666 for spares purposes)	1	DTD687	LE7/34
	Attaching parts for EA3.20.183 and EA3.20.184:			
EA3.20.1151	. . . Bolt, special	1	—	LE7/35
A25/4G	. . . Bolt, 5/16" BSF	12	—	LE7/36
A25/5G	. . . Bolt, 5/16" BSF	14	—	LE7/37
A27GT	. . . Nut, 5/16" BSF	26	—	LE7/38
EA3.20.1123	. . . Strip, packing, port	1	—	LE7/39
EA3.20.1124	. . . Strip, packing, starboard	1	—	LE7/40
SP16G	. . . Washer	14	—	
EA3.20.185	. . . PLATE, tie support lower, port (Supplied to Drg. No. EA3.00.635 for spares purposes)	1	—	LE7/41
EA3.20.186	. . . PLATE, tie support lower, starboard (Supplied to Drg. No. EA3.00.636 for spares purposes)	1	—	LE7/42
	Attaching parts for EA3.20.185 and EA3.20.186:			
EA3.20.1121	. . . Bolt, special	1	—	LE7/43
A25/5G	. . . Bolt, 5/16" BSF	11	—	LE7/44
A25/8G	. . . Bolt, 5/16" BSF	18	—	LE7/45
A57/9G	. . . Bolt, shear, 5/16" BSF	3	—	LE7/46
A27GT	. . . Nut, 5/16" BSF	32	—	LE7/47
SP16G	. . . Washer	32	—	LE7/47A
SP16J	. . . Washer	1	—	LE7/43A

AP101B-0402-3A

MAINPLANE
WING STRUCTURE

Page LE.15

Part Number	Description						No. Off	Matl. Spec.	Plate No.
	1	2	3	4	5	6			
EA3.20.171	1	—	LE7/48
EA3.20.172	1	—	LE7/49
EA1.20.1067	1	S97	
EA1.20.11071	1	S97	
EA1.20.1068	1	S97	
EA1.20.11072	1	S97	
A59-2C	QR	—	
AGS2001C1-66	QR	—	
A27CT	QR	—	
EEAS1-2C	QR	S96	
SP122D	QR	—	
EA1.20.6933	1	—	
EA1.20.6934	1	—	
EA1.20.349	1	—	LE7/50
EA1.20.350	1	—	LE7/51
EA1.20.351	1	—	LE7/52
A25-3C	4	—	LE7/53
SP16C	4	—	LE7/53A
EA1.20.917	1	—	LE7/54
EA1.20.918	1	—	LE7/55
A25-4C	4	—	LE7/56
SP16C	4	—	LE7/56A
EA1.20.353	1	—	LE7/57
							6	—	LE7/58
A25-3C	6	—	LE7/58
EA1.20.3245	6	—	LE7/58A
EA1.20.2645	1	—	LE7/77
EA3.20.2587	4	—	LE7/59
EA3.20.2595	1	—	LE7/60
EA3.20.2591	1	—	LE7/61
EA3.20.2589	2	—	LE7/62
R S5/325	10	—	
EA1.75.7	1	—	LE7/64
EA1.20.1047	1	—	LE7/65
EA1.20.10609	1	—	LE7/66
EA1.20.8387	1	—	
EA1.20.10613	1	—	
EA1.20.8385	1	—	
EA1.20.8386	1	—	
EA1.20.1081	1	L40	
EA1.20.1082	1	L40	
EA1.20.1083	1	L40	
EA1.20.1084	1	L40	

MAINPLANE
WING STRUCTURE

Part Number	Description	No. Off	Mati. Spec.	Plate No.
EA1.20.1105	. . FOOT, mounting, auxiliary gear box	2	—	
EA1.20.1106	. . FOOT, mounting, auxiliary gear box	2	—	
	Attaching parts for EA1.20.1105 and EA1.20.1106:			
A25/2C	. . Bolt, 2BA	AR	—	
A25/3C	. . Bolt, 2BA	AR	—	
A25/4C	. . Bolt, 2BA	AR	—	
A27CT	. . Nut, 2BA	4	—	
SP15C	. . Washer	4	—	
EA3.20.2573	. . HOOK UNDERCARRIAGE 'UP' LOCK ASSEMBLY	1	—	LE7/67
	Spares for:			
EA1.20.1243	. . . BUSH, bearing	2	DTD412	LE7/68
EA1.20.2571	. . . HOOK	1	S65	LE7/63
	Attaching parts for EA3.20.2573:			
EA1.20.1251	. . Bolt, special	1	S65	LE7/69
A27JS	. . Nut, 3/8" BSF	1	—	LE7/70
SP90C7	. . Pin, split	1	—	LE7/70A
EA1.20.2447	. . Shim	2	—	LE7/71
SP13J	. . Washer	1	—	LE7/71A
EA1.20.1343	. . PANEL, nose detachable inner wing leading edge (Supplied to Drg. No. EA3.00.237) for spares purposes)	1	—	LE6/4
EA1.20.1117	. . PANEL, removable, inner wing leading edge, top, port (Pre Mod.5248)	1	—	LE6/5
EA3.00.5121	. . PANEL, removable, inner wing leading edge, top, port (Mod.5248) (Spares for EB7.20.123 Ref 26FZ/5657)	1	—	
EA1.20.1118	. . PANEL, removable, inner wing leading edge, top, starboard (Pre Mod.5248)	1	—	LE6/6
EA3.00.5122	. . PANEL, removable, inner wing leading edge, top starboard (Mod.5248) (Spares for EB7.20.124 Ref 26FZ/5663)	1	—	
	Spares for:			
EA1.20.8289	. . . COVER, inspection	1	L72	LE6/7
EB7.20.277	. . . COVER, DIPSTICK ACCESS, 2 SPEED GENERATOR DRIVE, ASSEMBLY	1	—	LE6/8
	Spares for:			
† CHAIN, chandelier	QR	Brass	
EB7.20.273 COVER, assembly	1	—	LE6/9
EB7.20.275 HOUSING, ASSEMBLY	1	—	LE6/10
	Spares for:			
PIONEER OIL SEAL CO. LTD. PO.14311813 169-3-8 RING, 'O' sealing 1.171" i/d	1	DTD900	LE6/11
Dzus.F4/30 RING, split, 3/8" i/d	2	—	LE6/12
Dzus.F3/25DS FASTENER	4	—	
Dzus.F3/30DS FASTENER	4	—	
Dzus.S3/200 FASTENER	10	—	
Dzus.S4/3 SPRING	14	—	
 SPRING	4	—	

AP101B-0402-3A

MAINPLANE
WING STRUCTURE

Part Number	Description	No. Off	Matl. Spec.	Plate No.
EA3.00.5123	. . . PANEL, REMOVABLE, INNER WING LEADING EDGE, TOP, PORT, ASSEMBLY (Pre Mod.5248) (Spares for EA1.20.1119 Ref 26FZ/3031)	1	—	
EB6.20.477	. . . PANEL, REMOVABLE, INNER WING LEADING EDGE, TOP, PORT, ASSEMBLY (MOD.5248) Spares for:	1	—	LE6/13
EB6.20.479	. . . COVER, cold air unit	1	L72	LE6/14
Dzus.F4/30	. . . FASTENER	4	—	LE6/14A
Dzus.GF4/150	. . . GROMMET	4	—	LE6/14B
Dzus.S4/3	. . . SPRING	4	—	LE6/14C
EA1.20.1119	. . . PANEL, removable inner wing leading edge, top, port	1	—	LE6/15
EA1.20.1120	. . . PANEL, removable inner wing leading edge top, starboard Undrilled and with trim allowance Supplied to Part No. EA3.00.5124 for spares purposes	1	—	LE6/15A
EA1.20.1063	. . . RIB, NOSE NO.2 ASSEMBLY, PORT	1	—	
EA1.20.6659	. . . RIB, NOSE NO.2 ASSEMBLY, STARBOARD Spares for:	1	—	
EA1.20.1091	. . . CLEAT, port	1	—	
EA1.20.1092	. . . CLEAT, starboard	1	—	
EA1.20.1093	. . . CLEAT, port	1	—	
EA1.20.1094	. . . CLEAT, starboard	1	—	
EA1.20.1355	. . . SHIM, undercarriage stop	1	L72	
EA3.20.2969	. . . SHIM, undercarriage 'up' bracket	1	L72	
EA1.20.2447	. . . SHIM, up-lock hook pivot	1	—	
EA1.20.1313	. . . SKIN, OUTER BOTTOM ASSEMBLY, PORT Spares for:	1	—	LE5/26
EA1.20.3191	. . . COVER, oil sump Attaching parts for EA1.20.3191:	1	—	LE5/27
EEAS1/1C	. . . Bolt, 2BA	8	—	LE5/27A
EA1.20.7053	. . . SKIN, BOTTOM ASSEMBLY, STARBOARD Spares for:	1	—	LE5/28
EA3.20.909	. . . STOP, door	1	DTD683	LE5/29
EA1.20.1247	. . . SPRING, tension, undercarriage hook Attaching parts for EA1.20.1247:	1	—	
A25/3C	. . . Bolt, 2BA	1	—	LE7/73
A25/4C	. . . Bolt, 2BA	1	—	LE7/74
AGS2001C1-66	. . . Nut, 2BA	2	—	LE7/75
EEAS27/22HR	. . . Washer	2	—	LE7/75A
EA3.20.3905	. . . SPRING, tension, up-lock hook (Mod.4449-S.O.O.)	1	—	
EA1.20.3149	. . . STOP, undercarriage 'up' lock	1	—	LE7/76
AS2806/4/014	. . . TUBE, distance, up-lock spring attachment (Mod.4449-S.O.O.)	2	—	

R

MAINPLANE
WING STRUCTURE

Part Number	Description	No. Off	Mati. Spec.	Plate No.
EA3.20.15	. WING, OUTER, AFT OF SPAR C/W AIR BRAKE PORT, ASSEMBLY	—	—	
EA3.20.16	. WING, OUTER, AFT OF SPAR C/W AIR BRAKE STARBOARD, ASSEMBLY Spares for:	—	—	
EA3.20.4227	. . BRACKET, aileron hinge, outboard (Alt R60/23) Attaching parts for EA3.20.2075:	1	—	LE7/40
AS1248/4C	. . Bolt	4	—	LE7/41
A27CP	. . Nut	4	—	LE7/42
SP13C	. . Washer	4	—	LE7/43
EA1.20.697	. . BRACKET, aileron shroud attachment	1	L65	
EA1.20.698	. . BRACKET, aileron shroud attachment	1	L65	
EA1.20.2139	. . CHANNEL, drag, bottom, No.1 from inboard port (Make from Ref.20795)	1	—	
EA1.20.2140	. . CHANNEL, drag, bottom, No.1 from inboard starboard (Make from Ref.20795)	1	—	
EA1.20.2143	. . CHANNEL, drag, bottom, No.2 from inboard port (Make from Ref.20795)	1	—	
EA1.20.2144	. . CHANNEL, drag, bottom, No.2 from inboard starboard (Make from Ref.20795)	1	—	
EA1.20.2145	. . CHANNEL, drag, bottom, No.3 from inboard port (Make from Ref.20795)	1	—	
EA1.20.2146	. . CHANNEL, drag, bottom, No.3 from inboard starboard (Make from Ref.20795)	1	—	
EA1.20.2149	. . CHANNEL, drag, bottom, No.4 from inboard port (Make from Ref.20795)	1	—	
EA1.20.2150	. . CHANNEL, drag, bottom, No.4 from inboard starboard (Make from Ref.20795)	1	—	
EA1.20.2151	. . CHANNEL, drag, bottom, No.5 from inboard port (Make from Ref.20795)	1	—	
EA1.20.2152	. . CHANNEL, drag, bottom, No.5 from inboard starboard (Make from Ref.20795)	1	—	
EA1.20.2155	. . CHANNEL, drag, bottom, No.6 from inboard port (Make from Ref.20795)	1	—	
EA1.20.2156	. . CHANNEL, drag, bottom, No.6 from inboard starboard (Make from Ref.20795)	1	—	
EA1.20.2157	. . CHANNEL, drag, bottom, No.7 from inboard port (Make from Ref.6613)	1	—	
EA1.20.2158	. . CHANNEL, drag, bottom, No.7 from inboard starboard (Make from Ref.6613)	1	—	
EA1.20.2161	. . CHANNEL, drag, bottom, No.8 from inboard port (Make from Ref.6613)	1	—	
EA1.20.2162	. . CHANNEL, drag, bottom, No.8 from inboard starboard (Make from Ref.6613)	1	—	
EA1.20.2163	. . CHANNEL, drag, bottom, No.9 from inboard port (Make from Ref.6613)	1	—	
EA1.20.2164	. . CHANNEL, drag, bottom, No.9 from inboard starboard (Make from Ref.6613)	1	—	

MAINPLANE
WING STRUCTURE

Part Number	Description	No. Off	Matl. Spec.	Plate No.
EA1.20.2167	. . CHANNEL, drag, bottom, No.10 from inboard port (Make from Ref.6613)	1	—	
EA1.20.2168	. . CHANNEL, drag, bottom, No.10 from inboard starboard (Make from Ref.6613)	1	—	
EA1.20.2169	. . CHANNEL, drag, bottom, No.11 from inboard port (Make from Ref.6613)	1	—	
EA1.20.2170	. . CHANNEL, drag, bottom, No.11 from inboard starboard (Make from Ref.6613)	1	—	
EA1.20.2173	. . CHANNEL, drag, bottom, No.12 from inboard port (Make from Ref.6613)	1	—	
EA1.20.2174	. . CHANNEL, drag, bottom, No.12 from inboard starboard (Make from Ref.6613)	1	—	
EA1.20.2109	. . CHANNEL, drag, top, No.1 from inboard port (Make from Ref.20795)	1	—	
EA1.20.2110	. . CHANNEL, drag, top, No.1 from inboard starboard (Make from Ref.20795)	1	—	
EA1.20.2115	. . CHANNEL, drag, top, No.2 from inboard port (Make from Ref.20795)	1	—	
EA1.20.2116	. . CHANNEL, drag, top, No.2 from inboard starboard (Make from Ref.20795)	1	—	
EA1.20.2119	. . CHANNEL, drag, top, No.3 from inboard port (Make from Ref.20795)	1	—	
EA1.20.2120	. . CHANNEL, drag, top, No.3 from inboard starboard (Make from Ref.20795)	1	—	
EA1.20.2121	. . CHANNEL, drag, top, No.4 from inboard port (Make from Ref.6613)	1	—	
EA1.20.2122	. . CHANNEL, drag, top, No.4 from inboard starboard (Make from Ref.6613)	1	—	
EA1.20.2125	. . CHANNEL, drag, top, No.5 from inboard port (Make from Ref.6613)	1	—	
EA1.20.2126	. . CHANNEL, drag, top, No.5 from inboard starboard (Make from Ref.6613)	1	—	
EA1.20.2127	. . CHANNEL, drag, top, No.6 from inboard port (Make from Ref.6613)	1	—	
EA1.20.2128	. . CHANNEL, drag, top, No.6 from inboard starboard (Make from Ref.6613)	1	—	
EA1.20.2131	. . CHANNEL, drag, top, No.7 from inboard port (Make from Ref.6613)	1	—	
EA1.20.2132	. . CHANNEL, drag, top, No.7 from inboard starboard (Make from Ref.6613)	1	—	
EA1.20.2133	. . CHANNEL, drag, top, No.8 from inboard port (Make from Ref.6613)	1	—	
EA1.20.2134	. . CHANNEL, drag, top, No.8 from inboard starboard (Make from Ref.6613)	1	—	
EA1.20.2137	. . CHANNEL, drag, top, No.9 from inboard port (Make from Ref.6613)	1	—	
EA1.20.2138	. . CHANNEL, drag, top, No.9 from inboard starboard (Make from Ref.6613)	1	—	
EA1.20.3147	Attaching parts for channel drag: . . Nut, special	2	DTD683	LE2/1

MAINPLANE
WING STRUCTURE

Part Number	Description	No. Off	Matl. Spec.	Plate No.
EA1.20.2207	. . . COVER, drag channel end	18	—	LE2/2
EA1.20.2209	. . . COVER, drag channel end	18	—	LE2/3
EA3.20.253	. . . FRAME, AIR BRAKE RIB 2-2B, ASSEMBLY	1	—	LE2/4
	Spares for:			
EA1.20.2057	. . . CROSSHEAD, drag-channel	1	DTD683	LE2/5
	Attaching parts for EA1.20.2057:			
AGS2002E3	. . . Nut, 1/4" BSF	2	—	LE2/6
SP15E	. . . Washer	2	—	
EA3.20.255	. . . PLATE, SIDE, ASSEMBLY	2	—	LE2/7
	Spares for:			
EA1.20.2065	. . . HOUSING, bearing assembly	1	—	LE2/8
EA1.20.2055	. . . TUBE, bracing	1	—	LE2/9
	Attaching parts for:			
R EEAS37/9A	. . . Nipple, 2BA	8	S11	
R EEAS37/15A	. . . Nipple, 2BA	8	S11	
R EEAS38/2A	. . . Spoke, 2BA (Make from Ref.28R/6124)	4	S11	
R EA1.20.2069	. . . FRAME, AIR BRAKE RIB 2-3, ASSEMBLY	2	—	LE2/10
	Spares for:			
R EA1.20.2057	. . . CROSSHEAD, drag-channel	2	DTD683	LE2/5
	Attaching parts for EA1.20.2057:			
R AGS2002E3	. . . Nut, 1/4" BSF	2	—	LE2/6
R SP15E	. . . Washer	2	—	LE2/6A
R EA1.20.2045	. . . PLATE, SIDE, ASSEMBLY	2	—	LE2/11
	Spares for:			
R EA1.20.2065	. . . HOUSING, bearing assembly	2	—	LE2/8
R EA1.20.2055	. . . TUBE, bracing	2	—	LE2/9
	Attaching parts for EA1.20.2069:			
R EEAS37/9A	. . . Nipple, 2BA	8	S11	
R EEAS37/15A	. . . Nipple, 2BA	8	S11	
R EEAS38/2A	. . . Spoke, 2BA (Make from Ref.28R/6124)	4	S11	
R EA3.20.263	. . . FRAME, AIRBRAKE RIB 3-3B, PORT, ASSEMBLY	1	—	LE2/12
R EA3.20.264	. . . FRAME, AIR BRAKE RIB 3-3B, STARBOARD, ASSEMBLY	1	—	LE2/13
	Spares for:			
EA1.20.2057	. . . CROSSHEAD, drag-channel	2	DTD683	LE2/5
	Attaching parts for EA1.20.2057:			
AGS2002E3	. . . Nut, 1/4" BSF	2	—	LE2/6
SP15E	. . . Washer	2	—	LE2/6A
EA1.20.2047	. . . PLATE SIDE, ASSEMBLY	1	—	LE2/14
	Spares for:			
EA1.20.2065	. . . HOUSING, bearing, assembly	2	—	LE2/8
EA3.20.261	. . . PLATE SIDE, PORT, ASSEMBLY	1	—	LE2/15
EA3.20.262	. . . PLATE SIDE, STARBOARD, ASSEMBLY	1	—	LE2/16
	Spares for:			
EA1.20.2075	. . . BUSH, jack lever, attachment	1	—	LE2/17
EA1.20.2065	. . . HOUSING, bearing assembly	2	—	LE2/18
EA3.20.259	. . . LEVER, jack operating	1	—	LE2/19
	Attaching parts for EA3.20.259:			
R A59/3E	. . . Bolt, 1/4" BSF	9	—	LE2/20
R A58ES	. . . Nut, 1/4" BSF	9	—	LE2/21
R SP15E	. . . Washer	18	—	LE2/21A
EA1.20.2077	. . . TUBE, bracing	2	—	LE2/22
	Attaching parts for EA3.20.263 and EA3.20.264:			
R EEAS37/9A	. . . Nipple, 2BA	8	S11	
R EEAS37/15A	. . . Nipple, 2BA	8	S11	
R EEAS38/2A	. . . Spoke, 2BA (Make from Ref.28R/6124)	4	S11	

AP101B-0402-3A

MAINPLANE
WING STRUCTURE

Part Number	1 2 3 4 5 6	Description	No. Off	Matl. Spec.	Plate No.
EA1.20.2071		FRAME, AIR BRAKE, RIB 3B-4, ASSEMBLY Spares for:	2	—	LE2/23
EA1.20.2057		CROSSHEAD, drag-channel Attaching parts for EA1.20.2057:	2	DTD683	LE2/5
AGS2002E3		Nut, 1/4" BSF	2	—	LE2/6
SP15E		Washer	2	—	LE2/6A
EA1.20.2047		PLATE, SIDE, ASSEMBLY Spares for:	2	—	LE2/14
EA1.20.2065		HOUSING, bearing assembly	2	—	LE2/8
EA1.20.2077		TUBE, bracing Attaching parts for EA1.20.2071:	2	—	LE2/22
EEAS37/9A		Nipple, 2BA	8	S11	
EEAS37/15A		Nipple, 2BA	8	S11	
EEAS38/2A		Spoke, 2BA (Make from Ref.28R/6124)	4	S11	
EA3.20.367		HINGE, AILERON CENTRE, ASSEMBLY Spares for:	1	—	LE1/9
EA1.20.325		BRACKET, aileron, centre hinge Attaching parts for EA1.20.325:	1	DTD683	LE1/10
EA1.20.511		Bolt, special	1	S11	LE1/11
EA1.20.1433		Nut, special (Make from A27QT)	1	—	LE1/12
SP90G12		Pin, split	1	—	LE1/13
EA3.20.375		Washer, special	2	DTD683	LE1/20
EA1.20.693		BRACKET, aileron shroud angle attachment Attaching parts for EA1.20.693:	2	—	LE1/14
A25/4C		Bolt, 2BA	2	—	LE1/15
A27CS		Nut, 2BA	2	—	LE1/16
EA1.20.1097		Shim	2	—	LE1/17
EA3.20.371		FITTING, CENTRE-HINGE, ASSEMBLY Spares for:	1	—	LE1/18
RANSOME & MARLES CK5/8"		BALL-RACE	1	—	LE1/19
EA3.20.373		RING, retaining Attaching parts for EA3.20.367:	1	—	LE1/21
A59/15J		Bolt, 3/8" BSF (Alt R60/95 RI)	4	—	LE1/22
EA1.20.2091		HOUSING, ball-race airbrake cross tube assembly Attaching parts for EA1.20.2091:	2	—	LE2/24
A61/2C		Bolt, 2BA	6	—	LE2/25

MAINPLANE
WING STRUCTURE

Part Number	Description	No. Off	Matl. Spec.	Plate No.
R EA1.20.373	. . . MEMBER, TORQUE REAR WALL, PORT, ASSEMBLY	1	—	
R EA1.20.374	. . . MEMBER, TORQUE REAR WALL, STARBOARD, ASSEMBLY	1	—	
R EA3.20.2079	. . . BRACKET, aileron, hinge, inboard (Pre Alt R60/23)	1	DTD300	LE1/23
R EA3.20.4229	. . . BRACKET, aileron hinge, inboard (Alt R60/23)	1	—	
EA1.20.425	. . . BRACKET, flap, shroud, rib 4BA, port	1	—	
EA1.20.426	. . . BRACKET, flap, shroud, rib 4BA, starboard	1	—	
EA1.20.1753	. . . BRACKET, flap, shroud, rib 3B, outer, port	1	—	
EA1.20.430	. . . BRACKET, flap, shroud, rib 3B, outer, starboard	1	—	
EA1.20.659	. . . BRACKET, flap, shroud, rib 3B, inner, port	1	—	
EA3.20.2301	. . . BRACKET, flap, shroud, rib 3B, inner, starboard	1	—	
EA1.20.657	. . . BRACKET, flap, shroud, rib 3, port	1	—	
EA1.20.658	. . . BRACKET, flap, shroud, rib 3, starboard	1	—	
EA1.20.629	. . . BRACKET, flap, shroud, rib 2B, port	1	—	
EA1.20.630	. . . BRACKET, flap, shroud, rib 2B, starboard	1	—	
EA3.20.2299	. . . BRACKET, flap, shroud, rib 2, outer, port	1	—	
EA1.20.661	. . . BRACKET, flap, shroud, rib 2, outer, starboard	1	—	
EA1.20.395	. . . BRACKET, flap, shroud, rib 2, inner, port	1	—	
EA1.20.396	. . . BRACKET, flap, shroud, rib 2, inner, starboard	1	—	
EA1.20.413	. . . BRACKET, flap, shroud, rib 2A, port	1	—	
EA1.20.414	. . . BRACKET, flap, shroud, rib 2A, starboard	1	—	
EA1.20.753	. . . BRACKET, LEVER, PORT, ASSEMBLY (PRE MOD.5105)	1	—	LE4/22
EA1.20.11077	. . . BRACKET, LEVER, PORT, ASSEMBLY (MOD.5105)	1	—	
EA1.20.755	. . . BRACKET, LEVER, STARBOARD, ASSEMBLY (PRE MOD.5105)	1	—	LE4/23
EA1.20.11079	. . . BRACKET, LEVER, STARBOARD, ASSEMBLY (MOD 5105)	1	—	
EA1.20.763	. . . BRACKET, lever, port (Pre Mod.5105)	1	—	
EA3.20.5175	. . . BRACKET, lever, port (Mod.5105)	1	—	
EA1.20.765	. . . BRACKET, lever, starboard (Pre Mod.5105)	1	—	
EA3.20.5177	. . . BRACKET, lever, starboard (Mod.5105)	1	—	
EA1.20.771	. . . BUSH (Pre Mod.5105)	1	—	
EA3.20.5187	. . . BUSH (matched pair) (Mod.5015)	2	S82	
EA1.20.735	. . . LEVER BELLCRANK, FLAP OPERATION ASSEMBLY	2	—	LE4/24
EA1.25.65	. . . BOLT, special	1	S11	LE4/25
EA1.20.739	. . . BUSH	1	DTD625	LE4/26
EA1.20.741	. . . BUSH	1	DTD625	LE4/27
EA1.20.745	. . . BUSH	1	DTD625	LE4/28
EA1.20.737	. . . LEVER, bellcrank	1	—	LE4/29
SP21	. . . NIPPLE, lubricating	1	—	LE4/32A
A27JS	. . . NUT, 3/8" BSF	1	—	LE4/30
SP90C8	. . . PIN, split	1	—	LE4/7A
EA1.20.743	. . . WASHER, special	2	L64	LE4/31
EEAS5	. . . WASHER, red fibre	1	BSS216	LE4/32
EEAS28/37EU	. . . WASHER, special	1	BTD124	LE4/33
A27SS	. . . Nut, 1/2" BSF	1	—	LE4/34
SP15S	. . . Washer	1	—	LE4/34A
SP90H13	. . . Pin, split	1	—	LE4/34B

AP101B-0402-3A

MAINPLANE
WING STRUCTURE

Part Number	1 2 3 4 5 6	Description	No. Off	Mati. Spec.	Plate No.
EA1.20.749	SPINDLE LEVER Spares for: (Repair)	1	—	LE4/35
ASD514RS1	*	WASHER, special, 22SWG	—	S520	
ASD514RS2	*	WASHER, special, 22SWG	—	S520	
ASD514RS3	*	WASHER, special, 22SWG	—	S520	
ASD514RS4	*	WASHER, special, 22SWG	—	S520	
EA1.20.757	*	BRACKET, LEVER, PORT, ASSEMBLY (PRE MOD.5105)	1	—	LE4/36
EA1.20.11081	BRACKET, LEVER, PORT, ASSEMBLY (MOD.5105)	1	—	
EA1.20.759	BRACKET, LEVER, STARBOARD, ASSEMBLY (PRE MOD.5105)	1	—	LE4/37
R EA1.20.11083	BRACKET, LEVER, STARBOARD, ASSEMBLY (MOD.5105)	1	—	
		Spares for:			
EA1.20.767	*	BRACKET, lever, port (Pre Mod.5105)	1	—	
EA3.20.5179	*	BRACKET, lever, port (Mod.5105)	1	—	
EA1.20.769	*	BRACKET, lever, starboard (Pre Mod.5105)	1	—	
EA3.20.5181	*	BRACKET, lever, starboard (Mod.5105)	1	—	
EA1.20.771	*	BUSH (Pre Mod.5105)	1	S15	
EA3.20.5187	*	BUSH (matched pair) (Mod.5105)	2	S82	
EA1.20.735	*	LEVER, BELLCRANK, FLAP OPERATION	1	—	LE4/24
		Spares for:			
R EA1.25.65	*	BOLT, special	1	S11	LE4/25
EA1.20.739	*	BUSH	1	DTD625	LE4/26
EA1.20.741	*	BUSH	1	DTD625	LE4/27
EA1.20.745	*	BUSH	1	DTD625	LE4/28
EA1.20.737	*	LEVER, bellcrank	1	DTD683	LE4/29
SP21	*	NIPPLE, lubricating	1	—	
A27JS	*	NUT, 3/8" BSF	1	—	LE4/38
EA1.20.743	*	WASHER, special	2	L64	LE4/31
EEAS5	*	WASHER, red fibre	1	BSS216	LE4/32
EEAS28/37EU	*	WASHER, special	1	BTD124	LE4/33
		Attaching parts for EA1.20.735:			
A27SS	*	Nut, 3/8" BSF	1	—	LE4/34
SP15S	*	Washer	1	—	LE4/34A
R SP90H13	*	Pin, split	1	—	LE4/34B
EA1.20.749	SPINDLE LEVER Spares for: (Repair)	1	—	LE4/35
ASD514RS1	*	WASHER, special, 22SWG	—	S520	
ASD514RS2	*	WASHER, special, 22SWG	—	S520	
ASD514RS3	*	WASHER, special, 22SWG	—	S520	
ASD514RS4	*	WASHER, special, 22SWG	—	S520	
ASD514RS5	*	WASHER, special, 22SWG	—	S520	

MAINPLANE
WING STRUCTURE

Part Number	Description	No. Off	Matl. Spec.	Plate No.
EEAS37/9A	. . NIPPLE, 4BA, long, domed head	16	—	
EEAS37/15A	. . NIPPLE, 4BA, long, flat head	40	—	
EA1.20.3147	. . NUT, special, drag channel and crosshead retaining	42	DTD683	
SNP0164/17/00	. . NUT, spire, shroud attachment	34	—	
or				
CNPA164/7				
EA1.20.2351	. . PANEL, access, air brake, port	1	—	LE5/19
EA1.20.2352	. . PANEL, access, air brake, starboard	1	—	LE5/20
	Attaching parts for EA1.20.2351 and EA1.20.2352:			
EEAS1/2C	. . Screw, 2BA	30	S96	LE5/21
EEAS1/2½C	. . Screw, 2BA	11	S96	LE5/22
EA3.20.2791	. . PANEL, SKIN ASSEMBLY, BOTTOM, PORT	1	—	LE5/22A
EA3.20.2792	. . PANEL, SKIN ASSEMBLY, BOTTOM, STARBOARD	1	—	LE5/22B
	Spares for:			
EA1.20.189	. . . BRACKET, eye-bolt	29	—	LE5/22C
EA1.20.5321	. . . EYE-BOLT	29	—	LE5/22D
	Attaching parts for EA1.20.5321:			
EA1.20.5325	. . . Bolt, special	1	—	LE5/22E
AGS2002C1	. . . Nut, 2BA	1	—	LE5/22F
SP13C	. . . Washer	1	—	LE5/22G
EA3.20.2965	. . . PANEL, skin, port	1	—	LE5/23
EA3.20.2967	. . . PANEL, skin, starboard	1	—	LE5/24
	Spares for:			
EA1.20.9841 PLATE, reinforcing, between ribs 3 and 4, air brakes, port	1	L72	LE5/23A
EA1.20.9842 PLATE, reinforcing, between ribs 3 and 4, air brakes, starboard	1	L72	LE5/24A
R 5CX 4330194	. . . RIG, mounting, landing lamp	1	—	LE5/25
EA1.20.2081	. . . ROLLER BRACKET ASSEMBLY BETWEEN RIBS 3 AND 4	6	—	LE2/26
	Spares for:			
A25/15C BOLT, 2BA	1	—	LE2/27
EA1.20.2083 BRACKET	1	—	LE2/28
EA1.20.2085 BUSH, spacing	1	—	LE2/28A
A27CS NUT, 2BA	1	—	LE/29
SP90C5 PIN, split	1	—	LE2/29A
EA1.20.2087 ROLLER, oilite	2	—	LE2/30
AS2811/7/044 TUBE, distance, 17 SWG	1	T4	LE2/30A
SP15C WASHER	1	—	LE2/30B
	Attaching parts for EA1.20.2081:			
R AGS2001C1/66	. . . Nut, 2BA	3	—	LE2/36
R EEAS1/2C	. . . Screw, 2BA	3	—	LE2/37

AP101B-0402-3A

MAINPLANE
WING STRUCTURE

Part Number	Description	No. Off	Matl. Spec.	Plate No.	
					1
EA1.20.2213	ROLLER BRACKET ASSEMBLY BETWEEN RIBS 2 AND 3 Spares for:	6	—	LE2/31	
A25/15C	BOLT, 2BA	1	—	LE2/32	
EA1.20.2215	BRACKET	1	—	LE2/33	
EA1.20.2085	BUSH, spacing	1	—	LE2/33A	
A27CS	NUT, 2BA	1	—	LE2/34	
SP90C5	PIN, split	1	—	LE2/34A	
EA1.20.2087	ROLLER, oilite	2	—	LE2/35	
AS2811/7/044	TUBE, distance, 17SWG	1	T4	LE2/35A	
SP15C	WASHER	1	—	LE2/35B	
AGS2001C1/66	Attaching parts for EA1.20.2213: Nut, 2BA	3	—	LE2/36	
EEAS1/2C	Screw, 2BA	3	S96	LE2/37	
EA3.20.2619	PANEL, SKIN ASSEMBLY, TOP, PORT	1	—	LE6/19A	
EA3.20.2620	PANEL, SKIN ASSEMBLY, TOP, STARBOARD Spares for:	1	—	LE6/20	
EA1.20.189	BRACKET, eye-bolt	18	—	LE6/21	
EA1.20.5321	EYE-BOLT Attaching parts for EA1.20.5321:	18	—	LE6/22	
EA1.20.5325	Bolt, special	1	—	LE6/23	
AGS2002C1	Nut, 2BA	1	—	LE6/24	
SP15C	Washer	1	—	LE6/25	
EA1.20.2081	ROLLER BRACKET ASSEMBLY BETWEEN RIBS 2 AND 3 Spares for:	3	—	LE2/26	
A25/15C	BOLT, 2BA	1	—	LE2/27	
EA1.20.2083	BRACKET	1	—	LE2/28	
EA1.20.2085	BUSH, spacing	1	—	LE2/29	
A27CS	NUT, 2BA	1	—	LE2/29	
SP90C5	PIN, split	1	—	LE2/30	
EA1.20.2087	ROLLER, oilite	2	—	LE2/30	
AS2811/7/044	TUBE, distance, 17SWG	1	T4		
SP15C	WASHER	1	—		
AGS2001C1/66	Attaching parts for EA1.20.2081: Nut, 2BA	3	—	LE2/36	
EEAS1/2C	Screw, 2BA	3	S96	LE2/37	
SP15C	Washer	3	—	LE2/37A	
EA1.20.2213	ROLLER BRACKET ASSEMBLY BETWEEN RIBS 3 AND 4 Spares for:	6	—	LE2/31	
A25/15C	BOLT, 2BA	1	—	LE2/32	
EA1.20.2215	BRACKET	1	—	LE2/33	
EA1.20.2085	BUSH, spacing	1	—	LE2/33A	
A27CS	NUT, 2BA	1	—	LE2/34	
SP90C5	PIN, split	1	—	LE2/34A	
EA1.20.2087	ROLLER, oilite	2	—	LE2/35	
AS2811/7/044	TUBE, distance, 17SWG	1	T4	LE2/35A	
SP15C	WASHER	1	—	LE2/35B	
AGS2001C1/66	Attaching parts for EA1.20.2213: Nut, 2BA	3	—	LE2/36	
EEAS1/2C	Screw, 2BA	3	S96	LE2/37	
SP15C	Washer	3	—	LE2/37A	

MAINPLANE
WING STRUCTURE

Part Number	Description	No. Off	Matl. Spec.	Plate No.
EA3.20.2621	. . . PANEL, SKIN, AFT OF SPAR, OUTER WING, PORT, ASSEMBLY	1	—	LE5/30
EA3.20.2622	. . . PANEL, SKIN, AFT OF SPAR, OUTER WING, STARBOARD, ASSEMBLY	1	—	LE5/31
EA1.20.189	. . . BRACKET, eye-bolt	24	—	LE5/32
EA1.20.5321	. . . EYE-BOLT Attaching parts for EA1.20.5321:	24	—	LE5/33
EA1.20.5325	. . . Bolt, special	1	—	LE5/34
AGS2002C1	. . . Nut, stiff, 2BA	1	—	LE5/36
SP15C	. . . Washer	1	—	LE5/37
EA3.20.2077	. . . PIN, special, aileron hinge, inboard (Mod.617) Attaching parts for EA3.20.2077:	1	S97	LE1/24
A25/13C	. . . Bolt	1	—	LE1/25
AGS2001C1/66	. . . Nut	1	—	LE1/26
EA3.20.2365	. . . Washer, special	1	—	LE1/27
EA3.20.2073	. . . PIN, special, aileron hinge, outboard (Mod.617)	1	S97	LE1/28
EA3.20.141	. . . RIB, NO.1 AFT, ASSEMBLY, PORT	1	—	
EA3.20.142	. . . RIB, NO.1, AFT, ASSEMBLY, STARBOARD Spares for:	1	—	
EA3.20.4025	. . . CLEAT, lower rib, port, upper rib, starboard (Mod.4960)	1	S97	
EA3.20.4026	. . . CLEAT, upper rib, port, lower rib, starboard (Mod.4960) Attaching parts for EA3.20.4025 and EA3.20.4026:	1	S97	
EA3.20.4063	. . . Bolt, special (Mod.4960)	5	S97	
A27LT	. . . Nut, 7/16" BSF	5	—	
EA3.20.4065	. . . Washer, special (Mod.4960)	5	S97	
EA3.20.4175	. . . PLATE, reinforcing (Mod.4960) Attaching parts rib No.1 to main spar:	1	—	
EA3.03.65	. . . Bolt, special (oversize)	4	S97	
EA3.20.1809	. . . Nut, special, inboard	2	S80	
EA3.20.1811	. . . Nut, special, outboard	2	S80	
EA3.20.4049	. . . Packing (Mod.4960) (state thickness, SWG or laminated on demand)	AR	—	
SP90G8	. . . Pin, split	2	—	
SP16R	. . . Washer	4	—	
EA1.20.55	. . . RIB, No.3, TRAILING EDGE, PORT, ASSEMBLY	1	—	
EA1.20.56	. . . RIB, NO.3, TRAILING EDGE, STARBOARD, ASSEMBLY Spares for:	1	—	
EA1.20.2189	. . . BOLT, adjuster, airbrake roller	1	—	
EA3.20.7021	. . . BOOM, bottom, port	1	—	
EA3.20.7022	. . . BOOM, bottom, starboard	1	—	
EA1.20.2195	. . . BRACKET, adjuster roller Attaching parts for EA1.20.2195:	1	—	
EA1.20.2183	. . . Bolt	1	—	
EA1.20.2939	. . . Bush, spacing	1	—	
A27ES	. . . Nut, 1/4" BSF	1	—	
SP16E	. . . Washer	1	—	

MAINPLANE
WING STRUCTURE

Part Number	1 2 3 4 5 6	Description	No. Off	Matl. Spec.	Plate No.
EA1.20.2191	. . .	ROLLER, adjustable, airbrake	1	-	
		Attaching parts for EA1.20.2191:-			
EA1.20.2183	. . .	Bolt	1	-	
EA1.20.2939	. . .	Bush, spacing	1	-	
A27GS	. . .	Nut, 5/16" BSF	1	-	
SP16G	. . .	Washer	1	-	
EA1.20.2193	. . .	ROLLER, airbrake	2	-	
		Attaching parts for EA1.20.2193:-			
EA1.20.2185	. . .	Bolt	1	-	
EA1.20.2229	. . .	Bush, spacing	1	-	
A27GS	. . .	Nut, 5/16" BSF	1	-	
SP16G	. . .	Washer	1	-	
EA1.20.57	. . .	RIB, No. 4 AFT ASSEMBLY, PORT	-	-	
EA1.20.58	. . .	RIB, No. 4 AFT ASSEMBLY, STARBOARD	-	-	
		Spares for:-			
EA1.20.687	. . .	BOLT, stop, aileron	2	S11	LE1/29
EA1.20.689	. . .	MOUNTING, aileron stop bolt	1	L40	LE1/31
EA1.20.691	. . .	MOUNTING, aileron stop bolt	1	L40	LE1/34
		Attaching parts for EA1.20.689 and EA1.20.691:-			
A25/2C	. . .	Bolt	6	-	LE1/32
A27CT	. . .	Nut	6	-	LE1/33
A27JP	. . .	NUT, locking	2	-	LE1/30
EA1.20.61	. . .	RIB 6, ASSEMBLY (REAR) O/W, PORT	1	-	
EA1.20.62	. . .	RIB 6, ASSEMBLY (REAR) O/W, STARBOARD	1	-	
		Spares for:-			
EA3.20.309	. . .	BRACKET, aileron centre hinge attachment (Pre-Mod 304) (Pre-Mod 5338)	1	DTD683	
EA3.20.1883	. . .	BRACKET, aileron, centre hinge attachment (Mod 304) (Pre-Mod 5338)	1	DTD683	
EA3.20.5323	. . .	BRACKET, aileron centre hinge attachment (Mod 5338)	1	S97	
EEAS1/2 ¹ / ₂ C	. . .	SCREW, 2BA	11	HTS	
EEAS1/3C	. . .	SCREW, 2BA	2	HTS	
EEAS1/3E	. . .	SCREW, 1/4" BSF	22	HTS	
EA3.20.4195	. . .	SHROUD, OUTBOARD FLAP ASSEMBLY, PORT (Pre-Mod 5344)	1	-	
EA3.00.5719	. . .	SHROUD, OUTBOARD FLAP ASSEMBLY, PORT (Spares for EA3.20.4195) (Mod 5344)	1	-	LE4/42
EA3.20.4197	. . .	SHROUD, OUTBOARD FLAP ASSEMBLY, STARBOARD (Pre-Mod 5344)	1	-	
EA3.00.5721	. . .	SHROUD, OUTBOARD FLAP ASSEMBLY STARBOARD (Spares for EA3.20.4197) (Mod 5344)	-	-	LE4/43
		Spares for:-			
EA3.20.2543	. . .	PANEL, access, port	2	L72	LE4/38
EA3.20.2544	. . .	PANEL, access, starboard	2	L72	LE4/39
EEAS1/1C	. . .	SCREW, 2BA	40	HTS	LE4/40
EA3.20.1977	. . .	STOP, flap	11	-	LE4/41

MAINPLANE
WING STRUCTURE

Part Number	Description	No. Off	Matl. Spec.	Plate No.
R EA3.20.948	. . SHROUD, inboard hinged aileron (Supplied with trim allowance and pilot holes) (Pre-Mod 5344)	1	-	
R EA3.00.5725	. . SHROUD, aileron, inboard assembly, port and starboard (Spares for EA3.20.947) (Mod 5344)	1	-	LE1/36
R EA3.20.947	. . SHROUD, inboard hinged aileron (Supplied with trim allowance and pilot holes) (Pre-Mod 5344)	1	-	
R EA3.00.5726	. . SHROUD, aileron, inboard assembly, port and starboard (Spares for EA3.20.948) (Mod 5344)	1	-	LE1/35
R EA3.20.946	. . SHROUD, outboard hinged aileron (Supplied with trim allowance and pilot holes) (Pre-Mod 5344)	1	-	
R EA3.00.5727	. . SHROUD, aileron, outboard assembly, port and starboard (Spares for EA3.20.945) (Mod 5344)	1	-	LE1/38
R EA3.20.945	. . SHROUD, outboard hinged aileron (Supplied with trim allowance and pilot holes) (Pre-Mod 5344)	1	-	
R EA3.00.5728	. . SHROUD, aileron, outboard assembly, port and starboard (Spares for EA3.20.946) (Mod 5344) Attaching parts for EA3.20.945, EA3.20.946, EA3.20.947 and EA3.20.948:-	1	-	LE1/37
AS1242/4C	. . Bolt, 2BA	4	-	LE1/44
AS1243/2C	. . Bolt, 2BA	154	-	LE1/45
AGS2002C3	. . Nut, 2BA	120	-	LE1/46
SNP0164/17/00 or CNPA164/7	. . Nut, spire	34	-	LE1/47
-	. . Nut, spire	34	-	LE1/47
-	. . SKINS, TOP AND BOTTOM Spares for:-	-	-	
EA3.20.1105	. . . EYE-BOLT	QR	S96	
EA1.20.5321	. . . EYE-BOLT	QR	S96	
EA1.20.2089	. . SLEEVE, joint airbrake torque tube	2	DTD683	LE2/38
EA1.20.2201	. . TUBE, assembly, inboard airbrake	1	-	LE2/39
EA1.20.2203	. . TUBE, assembly, outboard airbrake	1	-	LE2/40
EA1.20.2205	. . TUBE, assembly, centre airbrake	1	-	LE2/41
EA3.20.2239	. . WASHER, special	6	Lam. Alum L40	
EA3.20.2365	. . WASHER, special	1		

MAINPLANE
WING STRUCTURE

Part Number	1 2 3 4 5 6	Description	No. Off	Mati. Spec.	Plate No.
EA3.20.3		WING OUTER LEADING EDGE, PORT ASSEMBLY	—	—	
EA3.20.4		WING OUTER LEADING EDGE, STARBOARD ASSEMBLY	—	—	
EA3.20.4945		Spares for:— DIAPHRAGM at ribs No. 1 and 1A, port (Mod 5048)	1	—	LE6/17
EA3.20.4946		DIAPHRAGM at ribs No. 1 and 1A, starboard (Mod 5048) Spares for:—	1	—	LE6/19
EA1.20.11069		BRACKET, lower (Mod 5048)	1	S97	
EA1.20.11070		BRACKET, upper (Mod 5048) Attaching parts for EA1.20.11069 and EA1.20.11070:—	1	S97	
A59/2C		Bolt, 2BA	11	—	
AGS2001C1/66		Nut, 2BA	11	—	
SP122D		Washer	11	—	
EA3.20.4953		DIAPHRAGM at ribs No. 1 and 1A, port (Mod 5048)	1	—	
EA3.20.4954		DIAPHRAGM at ribs No. 1 and 1A, starboard (Mod 5048) Spares for:—	1	—	
EA1.20.11065		BRACKET, upper, port (Mod 5048)	1	S97	
EA1.20.11066		BRACKET, upper, starboard (Mod 5048)	1	S97	
EA1.20.11073		BRACKET, lower, port (Mod 5048)	1	S97	
EA1.20.11074		BRACKET, lower, starboard (Mod 5048) Attaching parts for EA1.20.11065, EA1.20.11066, EA1.20.11073 and EA1.20.11074:—	1	S97	
A59/2C		Bolt, 2BA	11	—	
AGS2201C1/66		Nut, 2BA	11	—	
SP122D		Washer	11	—	

MAINPLANE
WING STRUCTURE

Part Number	Description	No. Off	Matl. Spec.	Plate No.
EA3.20.7	NOSE BAY NO. 5 SKINS ASSEMBLY, PORT	—	—	
EA3.20.8	NOSE BAY NO. 5 SKINS ASSEMBLY, STARBOARD	—	—	
EA3.20.1105	Spares for:— EYE-BOLT	42	S96	
EA1.20.5321	EYE-BOLT	42	S96	
EA3.20.9	NOSE BAY NO. 6 SKINS ASSEMBLY, PORT	—	—	
EA3.20.10	NOSE BAY NO. 6 SKINS ASSEMBLY, STARBOARD	—	—	
EA3.20.1105	Spares for:— EYE-BOLT	34	S96	
EA1.20.5321	EYE-BOLT	34	S96	
EA3.20.4105	PANELS, ACCESS, LOWER SURFACE FOR STRUCTURAL INTEGRITY CHECKS INSTALLATION, PORT (MOD 5015)	—	—	
EA3.20.4106	PANEL, ACCESS, LOWER SURFACE FOR STRUCTURAL INTEGRITY CHECKS INSTALLATION, STARBOARD (MOD 5015)	—	—	
EA3.20.4115	Spares for:— DOUBLER, outboard of ribs 2, 4 and 5, port	3	—	
EA3.20.4116	DOUBLER, outboard of ribs 2, 4 and 5, starboard	3	—	
EA3.20.4181	DOUBLER, inboard of ribs 3 and 5, port	2	—	
EA3.20.4182	DOUBLER, inboard of ribs 3 and 5, starboard	2	—	
EA3.20.4183	DOUBLER, outboard of ribs 3, 6 and 7, port	3	—	
EA3.20.4184	DOUBLER, outboard of ribs 3, 6 and 7, starboard	3	—	
EA3.20.4185	DOUBLER, inboard of rib 4, port	1	—	
EA3.20.4186	DOUBLER, inboard of rib 4, starboard	1	—	
EEAS8A	PACKING	54	—	
EA3.20.4109	PANEL, access, 18 SWG Attaching parts for EA3.20.4109:—	9	L73	
EEAS1/1C	Screw, 2BA	6	S96	
EA1.20.121	SKIN, LEADING EDGE, BAY NO. 1, PORT, ASSEMBLY	1	—	
EA1.20.122	SKIN, LEADING EDGE, BAY NO. 1, STARBOARD, ASSEMBLY	1	—	
EA3.20.4161	Spares for:— ANGLE, support, port (Mod 5027)	1	L73	
EA3.20.4162	ANGLE, support, starboard (Mod 5027)	1	L73	
EA3.20.4149	BUTTSTRAP, port (Mod 5027)	1	L73	
EA3.20.4150	BUTTSTRAP, starboard (Mod 5027)	1	L73	
EA3.20.4143	PANEL, skin, bottom, port, assembly (Mod 5027) (Make from EA3.20.4135)	1	—	
EA3.20.4144	PANEL, skin, bottom, starboard, assembly (Mod 5027) (Make from EA3.20.4136)	1	—	
EA3.20.4155	PANEL, skin, bottom, port, assembly (Mod 5027) (Make from EA3.20.4135)	1	—	
EA3.20.4156	PANEL, skin, bottom, starboard, assembly (Mod 5027) (Make from EA3.20.4136)	1	—	
EEAS41/3	PIN, sealing (Mod 5027)	AR	—	
EEAS41/4	PIN, sealing (Mod 5027)	AR	—	
EEAS41/6	PIN, sealing (Mod 5027)	AR	—	
EA3.20.4151	PLATE, cover, internal, bottom skin, port (Mod 5027)	1	L73	
EA3.20.4152	PLATE, cover, internal, bottom skin, starboard (Mod 5027)	1	L73	
EA3.20.4157	PLATE, filler, port (Mod 5027)	1	L97	
EA3.20.4158	PLATE, filler, starboard (Mod 5027)	1	L65	
EEAS1/3½C	SCREW, 2BA	21	S96	
EEAS1/5C	SCREW, 2BA	6	S96	
EEAS1/5½C	SCREW, 2BA	10	S96	

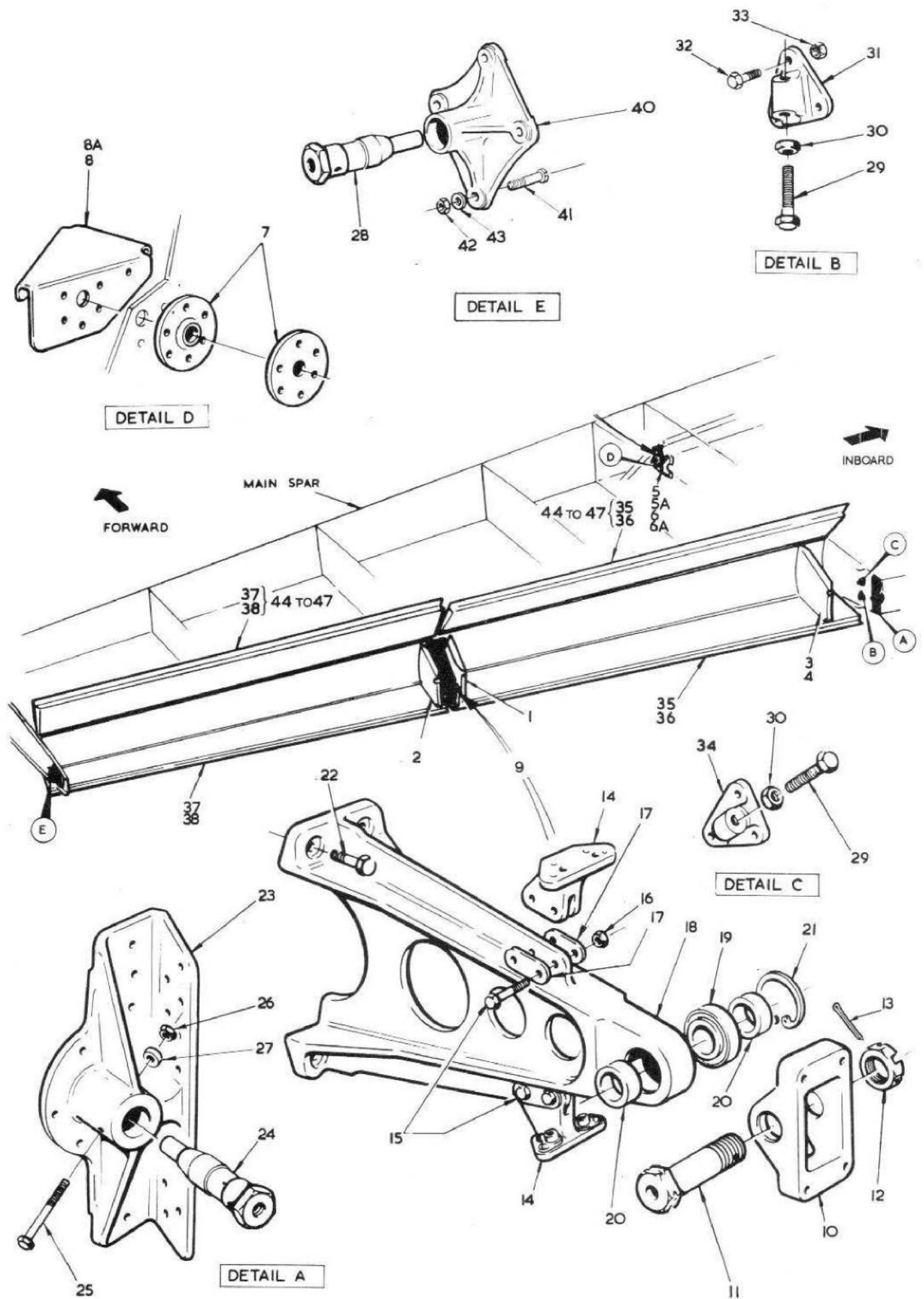


FIG.1 WING STRUCTURE

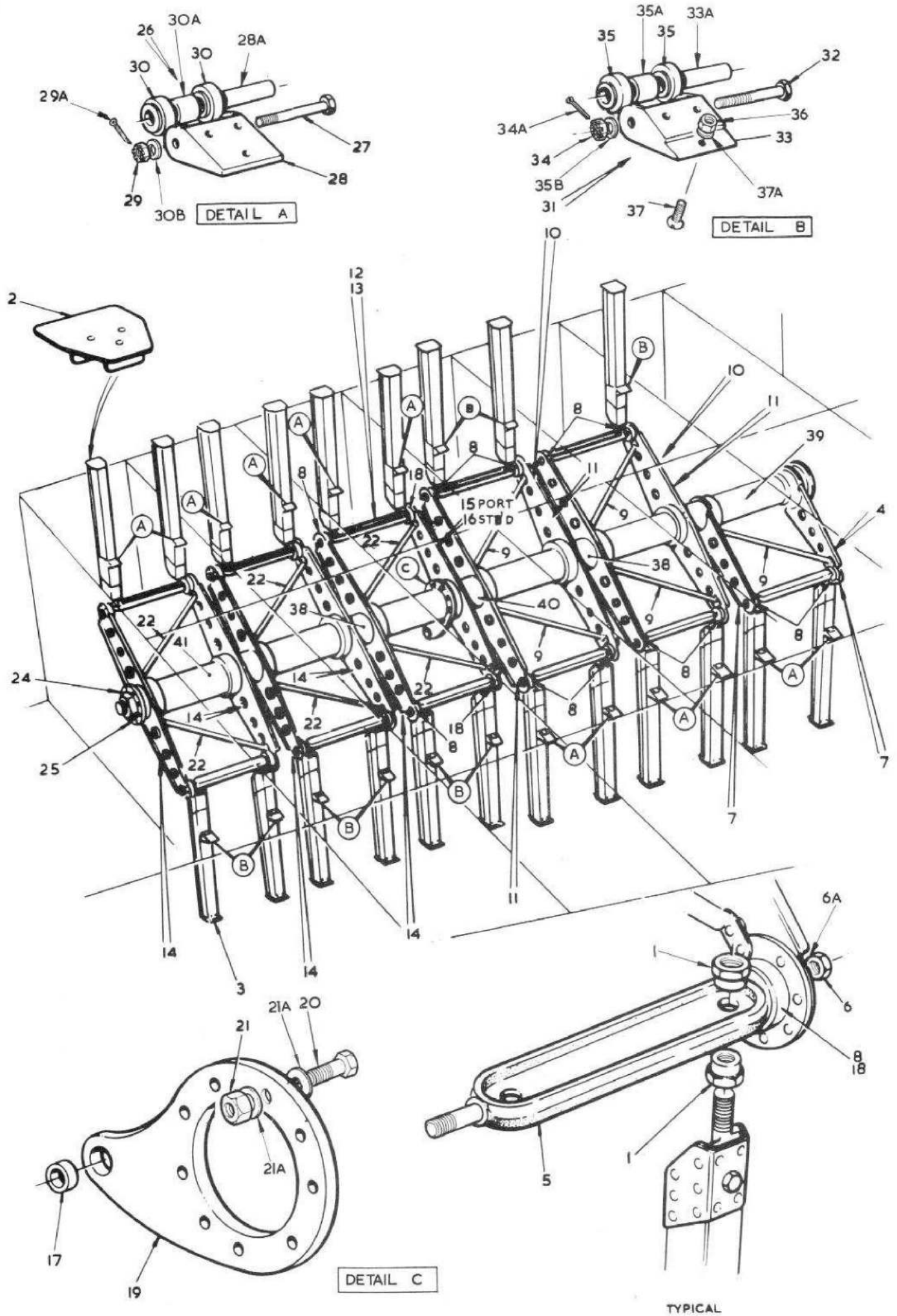


FIG2 WING STRUCTURE

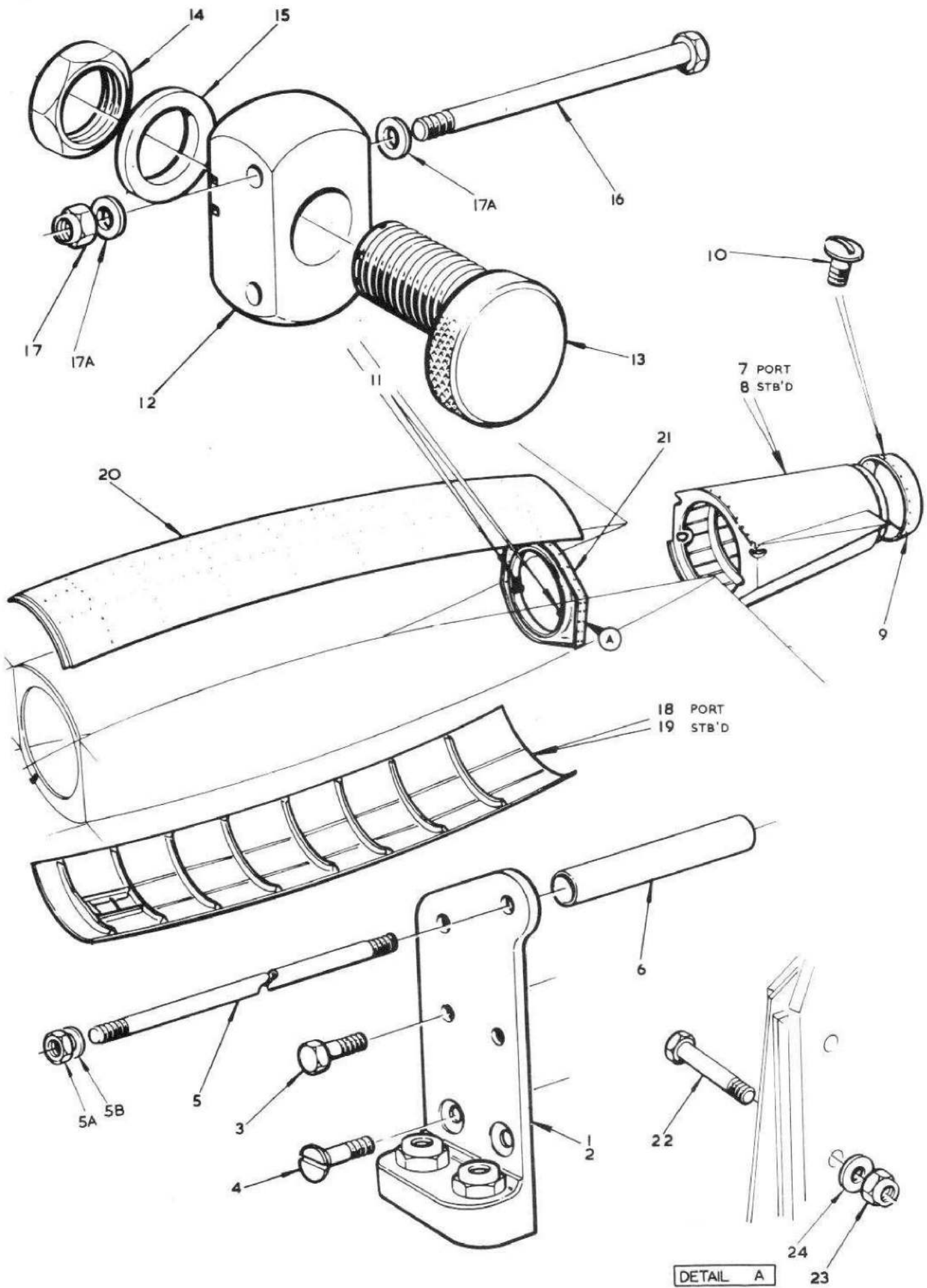


FIG 3 WING STRUCTURE

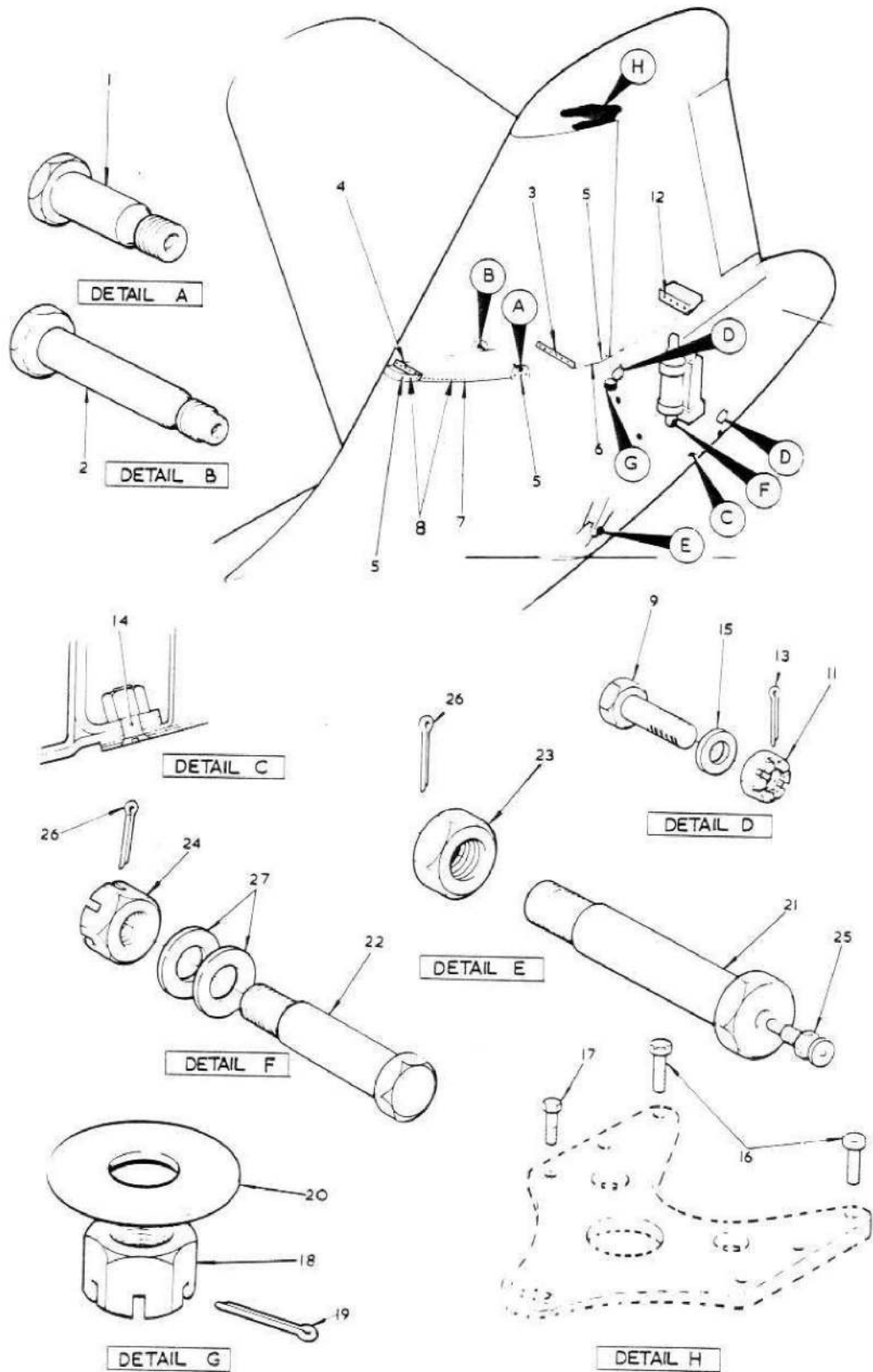


FIG 4 MISCELLANEOUS ATTACHMENT DETAILS

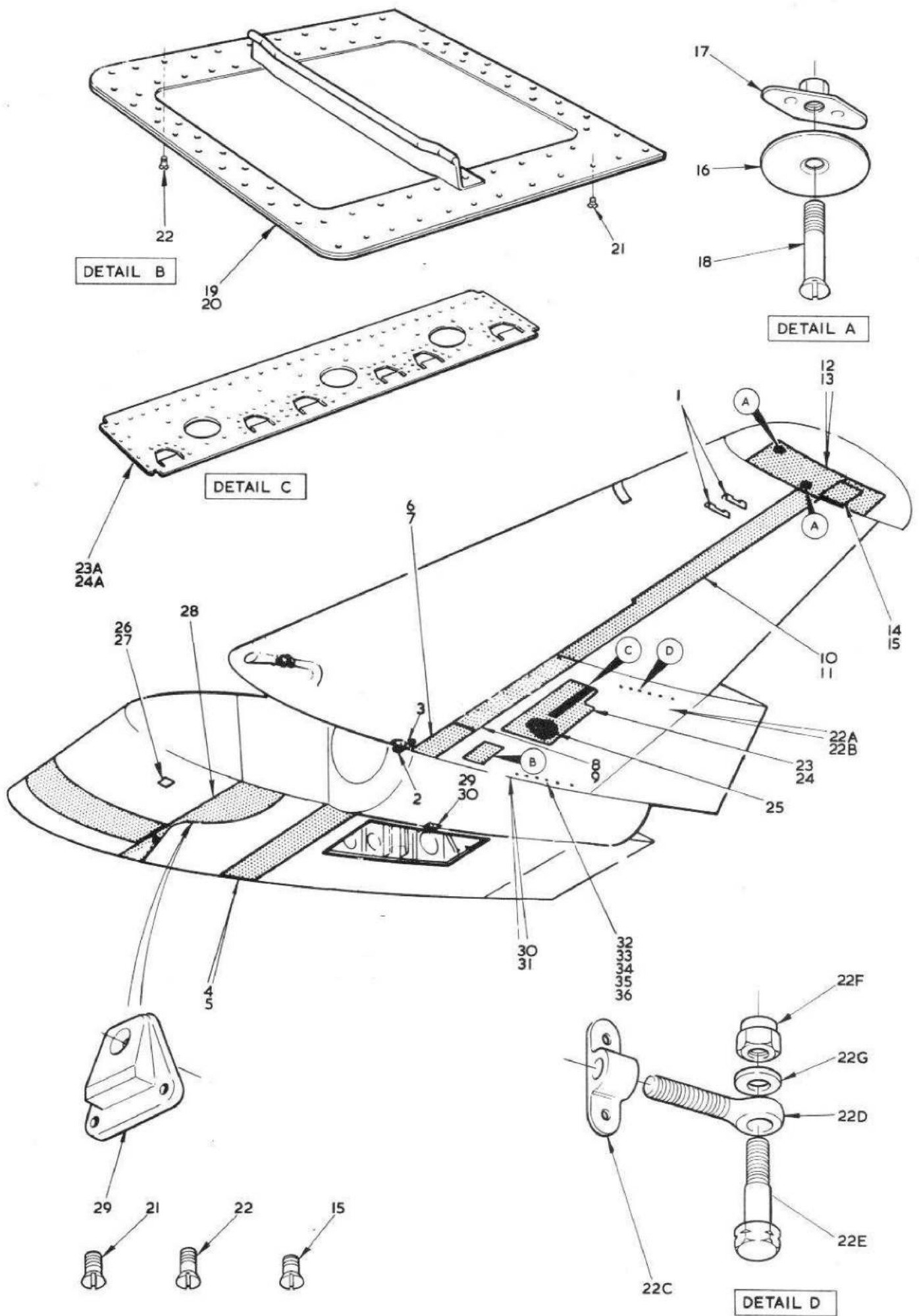


FIG.5 WING STRUCTURE

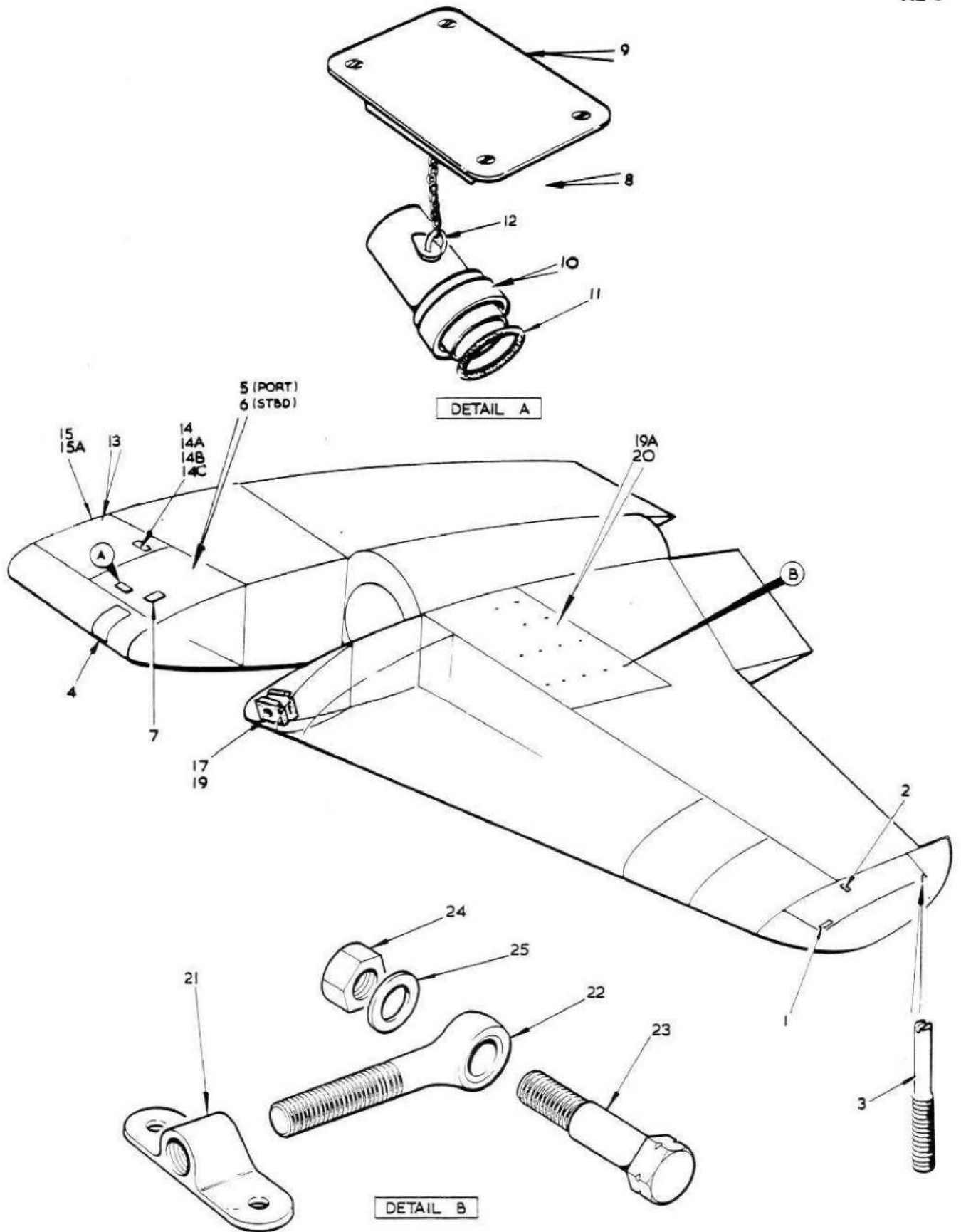


FIG. 6 WING STRUCTURE

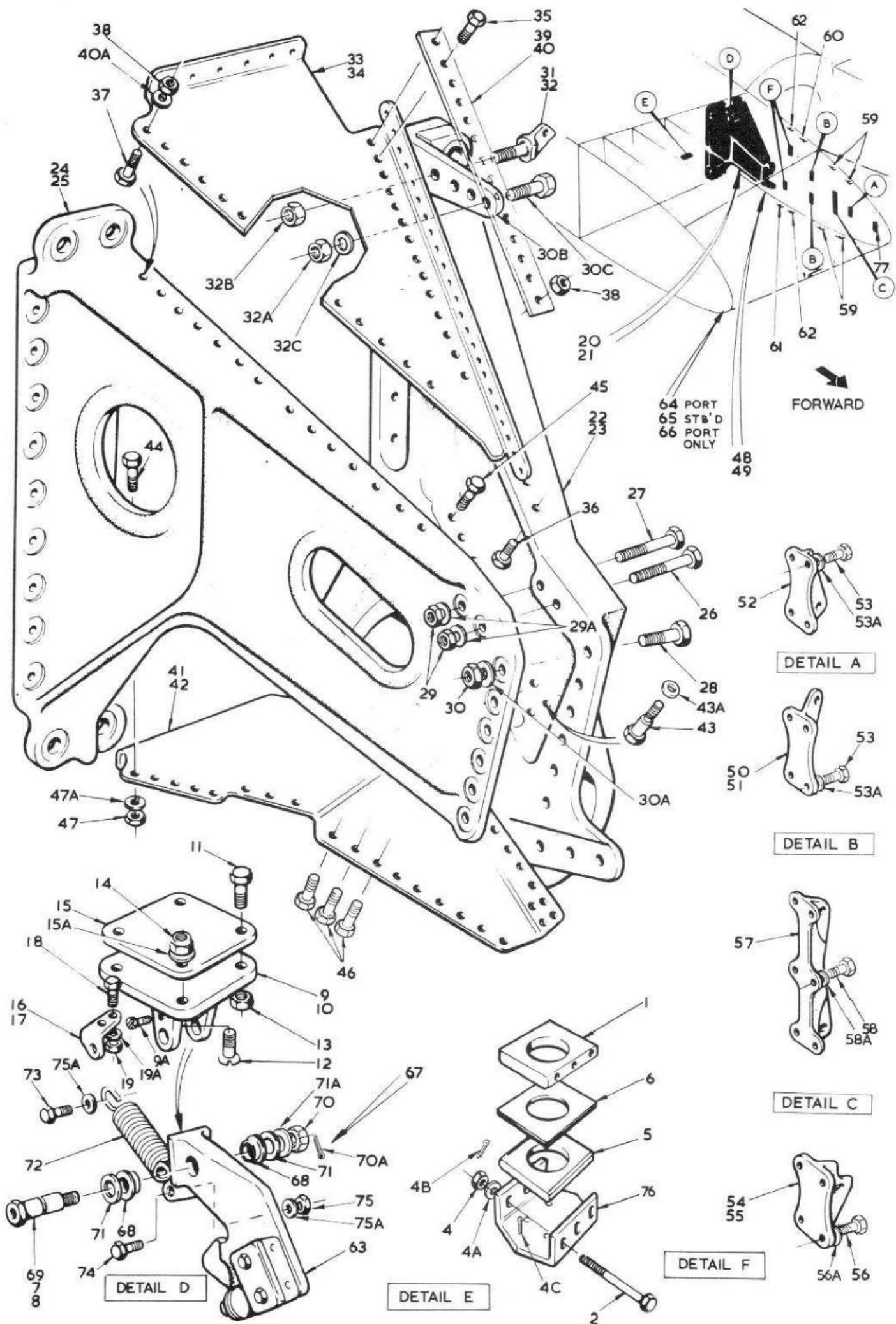
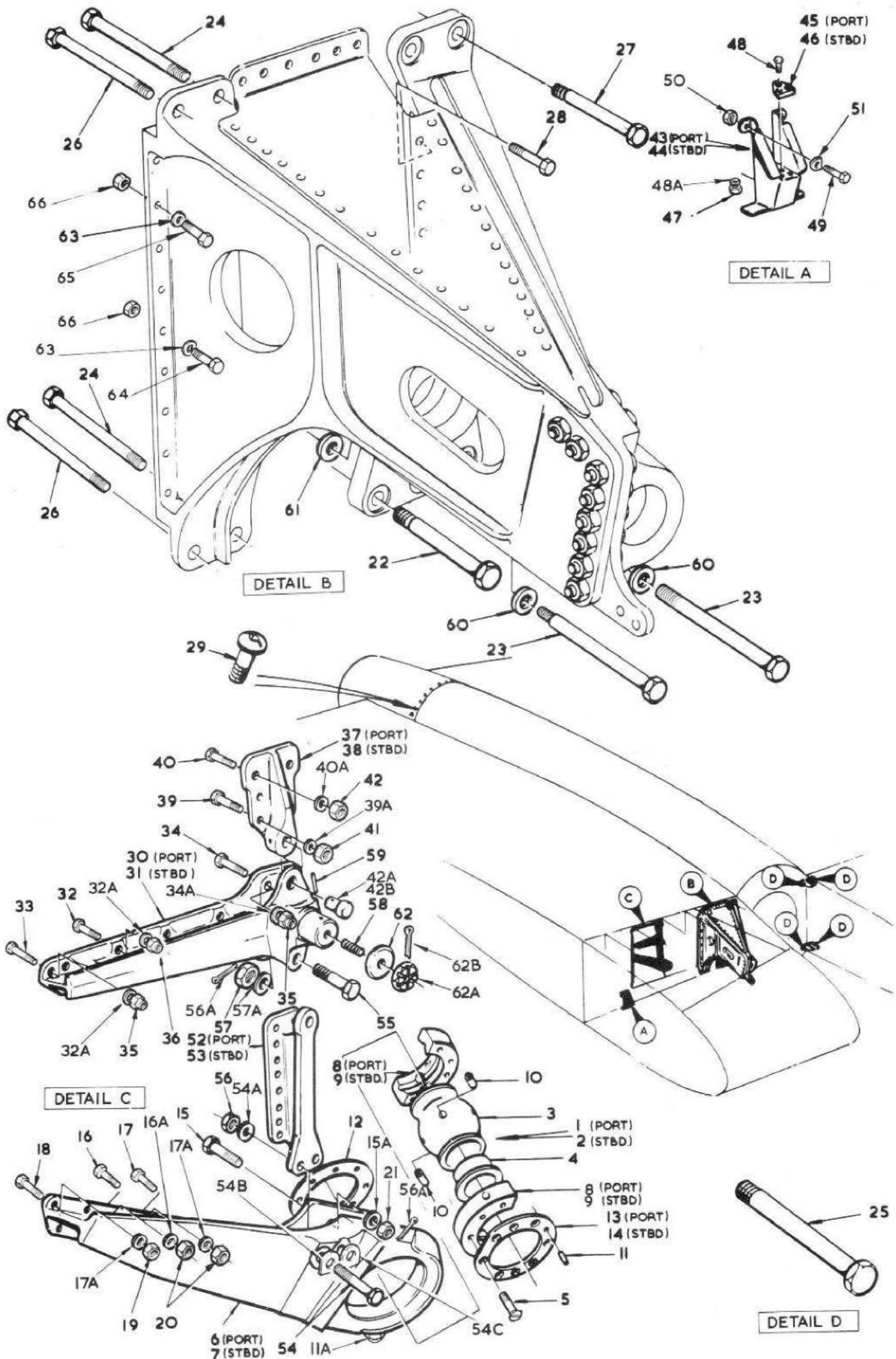


FIG.7 WING STRUCTURE



DETAIL B

DETAIL A

DETAIL C

DETAIL D

FIG 8 WING STRUCTURE

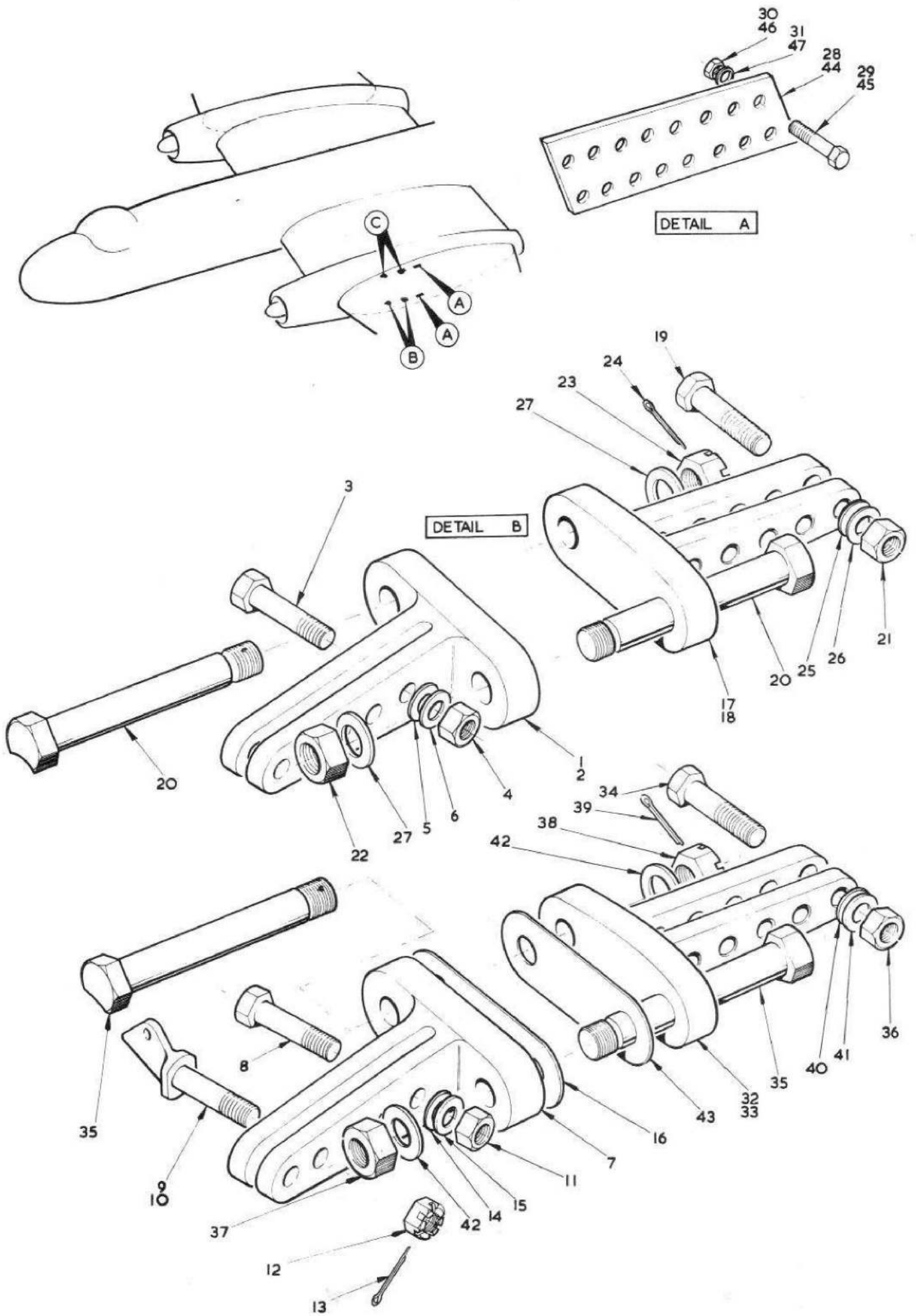


FIG.9 WING STRUCTURE

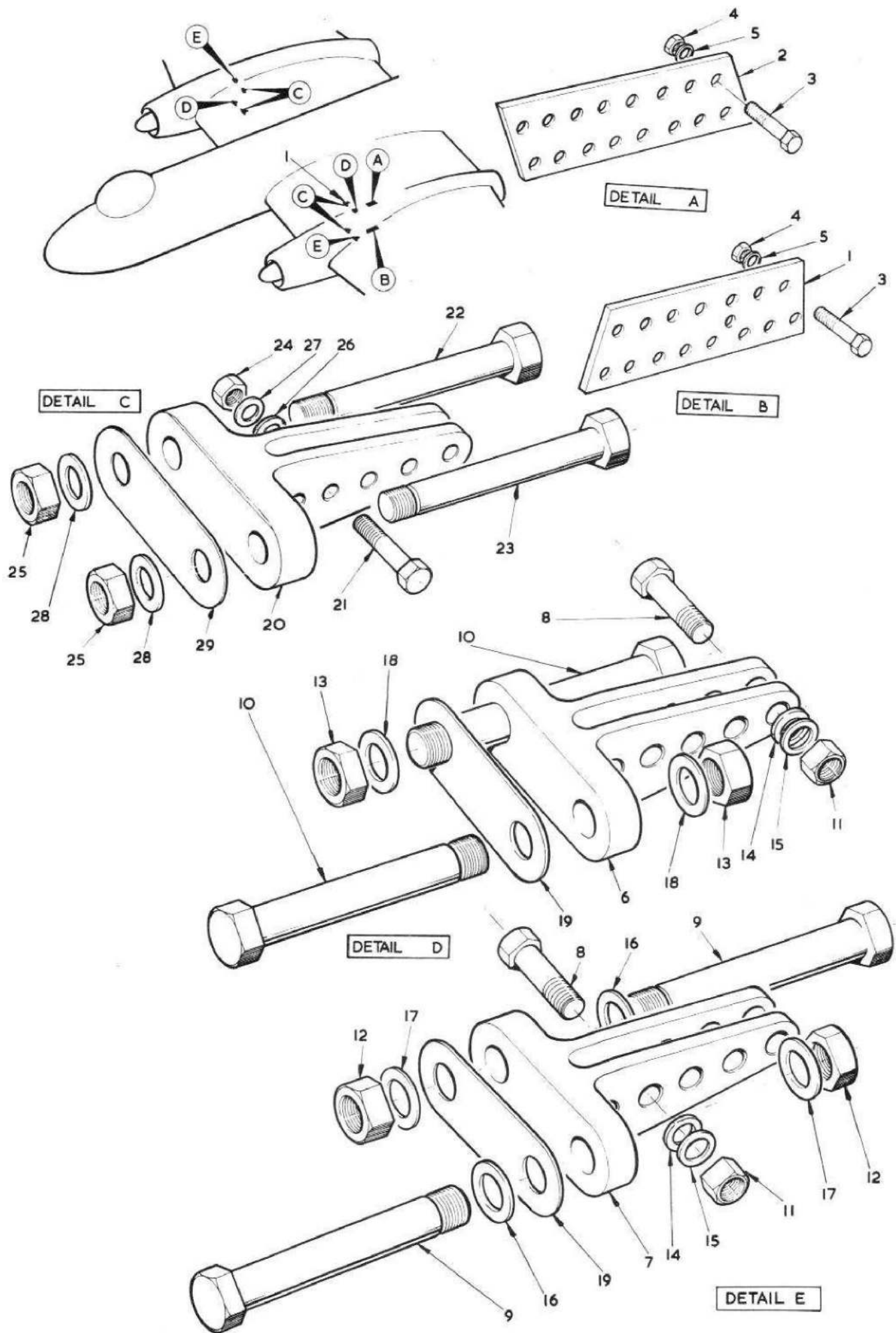


FIG.10 WING STRUCTURE

This file was downloaded from the RTFM Library.
Link: www.scottbouch.com/rtfm

Please see site for usage terms, and more aircraft documents.

