

AP101B-0402-3A

POWER INSTALLATION
COWLING, ENGINE PORT

Part Number	Description	No. Off	Matl. Spec.	Plate No.
EA1.50.395	COWLING, ENGINE, PORT, ASSEMBLY	—	—	PA1/1
	Spares for:			
EA1.50.103	. CLIP, toggle hook spring	2	L72	PA1/2
EA1.50.105	. CLIP, toggle hook spring	2	L72	PA1/3
	Attaching parts for EA1.50.103 and EA1.50.105:			
AS1246/1B	. Bolt, round head 4BA	1	—	PA1/4
AGS2001B1	. Nut, stiff 4BA	1	—	PA1/5
SP13/B	. Washer	1	—	PA1/6
EA3.00.121	. COWL, FRONT, ASSEMBLY (Ref. drg EA1.50.249)	1	—	PA2/1
	Spares for:			
EA1.50.869	. . BAFFLE	1	—	PA2/7
EA1.50.1753	. . DUCT, air compressor, bleed valve	1	—	PA2/8
	Attaching parts for EA1.50.1753:			
EEAS1/1½C	. . Screw, csk. head 2BA	14	S96	PA2/9
EA1.50.843	. . INTAKE, AIR, ASSEMBLY	1	—	PA2/2
	Spares for:			
EA1.50.1673	. . . PLATE, louvre	2	DTD166B	PA2/4
	Attaching parts for EA1.50.1673:			
AS2920/1B	. . . Bolt, 4BA	6	—	PA2/3
EA1.50.1597	. . . SCREEN, perforated	38	—	PA2/5
EA1.50.1823	. . . SLEEVE, exhaust	1	—	PA2/6
EA1.50.1761	. . . PANEL, access for adjustment of accelerator and bleed valve control	3	—	PA2/10
EA1.50.1779	. . . PANEL, access, for bleed valve adjustment	1	—	PA2/11
	Attaching parts for EA1.50.1779:			
EEAS1/1C	. . . Screw, csk. head 2BA	8	S96	PA2/12
EA1.50.1805	. . . PANEL, access, P.V. ram	1	L72	PA2/13
	Attaching parts for EA1.50.1805:			
AS1242/1C	. . . Bolt, csk. head 2BA	8	—	PA2/14
EA1.50.1807	. . . PANEL, access P.V. ram	1	L72	PA2/15
	Attaching parts for EA1.50.1807:			
AS1242/1C	. . . Bolt, csk. head 2BA	8	—	PA2/16
	Attaching parts for EA3.00.121:			
EA1.50.1051	. . . Screw, special	41	S11	PA1/7
EA3.00.131	. COWL, BOTTOM, REAR. (LESS U/C COWL DOOR) (PRE MOD.2545) (Ref. drg EA1.50.841)	1	—	
EA3.50.23	. COWL, BOTTOM, REAR (LESS U/C COWL DOOR) ASSEMBLY (MOD.2545-S.O.O.)	1	—	PA3/1
	Spares for:			
EA1.50.65	. . . BRACKET, forward hinge	1	DTD683	PA3/2
	Attaching parts for EA1.50.65:			
A25/20C	. . . Bolt, 2BA	4	—	PA3/3
A27CT	. . . Nut, thin 2BA	4	—	PA3/4
SP15C	. . . Washer, 2BA	4	—	PA3/5

POWER INSTALLATION
COWLING, ENGINE PORT

Part Number	Description	No. Off	Matl. Spec.	Plate No.
EA1.50.67	. . . BRACKET, aft hinge Attaching parts for EA1.50.67:	1	DTD683	PA3/6
A25/20C	. . . Bolt, 2BA	2	—	PA3/7
A25/21C	. . . Bolt, 2BA	2	—	PA3/8
A27CT	. . . Nut, thin 2BA	4	—	PA3/9
SP15C	. . . Washer	2	—	PA3/10
SP16C	. . . Washer	2	—	PA3/11
EA1.50.427	. . . COWL, BOTTOM, REAR, ASSEMBLY (PRE MOD.2545)	—	—	
EA3.50.25	. . . COWL, BOTTOM, REAR, ASSEMBLY (MOD.2545-S.O.O.)	—	—	PA3/12
	Spares for:			
EA1.50.872 DUCT, outboard	1	—	PA3/12A
EA1.50.1591 DUCT, inboard	1	—	PA3/12B
	Attaching parts for EA1.50.872 and EA1.50.1591:			
A25/1B Bolt, 4BA	5	—	PA3/12C
A27BP Nut, 4BA	5	—	PA3/12D
SP15B Washer	5	—	PA3/12E
EA1.50.975 FUNNEL, assembly, air ducts	2	—	PA3/12F
EA1.50.1523 OUTLET, drain	1	—	PA3/12G
EA1.50.1601 PLATE, retaining engine oil sump drain outlet	1	—	PA3/13
EA6.50.991 SPRING, drain outlet (Mod.2670)	1	—	PA3/14
EA1.50.981 SPRING, air duct outlet funnel	2	—	PA3/14A
EA1.50.317 DOOR, access in bottom rear cowl	1	—	PA3/15
EA1.50.319 DOOR, u/c cowl Attaching parts for EA1.50.319:	1	—	PA3/16
AGS899/6	. . . Collar	2	—	PA3/17
SP4Z/F10	. . . Pin, shackle	1	—	PA3/18
SP4Z/F18	. . . Pin, shackle	1	—	PA3/19
SP90C7	. . . Pin, split 1/16" dia	2	—	PA3/20
EA1.50.365	. . . Washer	2	—	PA3/21
DZUS				
FJ5/60DS	. . . FASTENER	4	—	PA3/22
DZUS				
FJ5/70DS	. . . FASTENER	4	—	PA3/23
DZUS				
FJ5/80DS	. . . FASTENER	2	—	PA3/24

POWER INSTALLATION
COWLING, ENGINE PORT

Ref. No.	Part No.	Description	No. off	Matl. Spec.	Cl. of Equip M.R. L.M.	Plate No.
633	EA1.50.281	FASTENER, TOGGLE, ASSEMBLY	2	—	C	PA3/25
16312	EA1.50.95	Spares for:— HANDLE, TOGGLE, FASTENER, ASSEMBLY	1	—	C/MR	PA3/26
19837	EA1.50.33	Spares for:— BUSH	2	—	—	PA3/26A
	EA1.50.25	HANDLE, toggle	1	—	—	PA3/26B
	EA1.50.27	LINK	1	—	—	PA3/26C
28P/1040788	SP90C8	Attaching parts for EA1.50.27:—	1	—	C	PA3/26D
24861	EA1.50.39	Pin, split 1/16" dia Tube	1	—	C	PA3/26E
29H/4658471	TERRY 169/1	RING, split	1	—	C	PA3/27
635	EA1.50.49	SPRING, 19 SWG	1	Spring Steel	C	PA3/28
18192	EA1.50.51	Attaching parts for EA1.50.49:— Pin	1	—	C	PA3/28A
28P/1016032	SP4Y/H16	PIN	1	—	C	PA3/28B
28P/1221260	SP90E6	PIN, split, 3/32" dia	1	—	C	PA3/28C
16313	EA1.50.155	Attaching parts for EA1.50.95:—	2	S11	C	PA3/29
28P/9527619	SP90C7	Pin, stud special Pin, split 1/16" dia	2	—	C	PA3/30
16315	EA1.50.170	HOUSING, toggle	1	—	—	PA3/30B
634	EA1.50.282	FASTENER, TOGGLE, ASSEMBLY	2	—	C	PA3/31
16312	EA1.50.95	Spares for:— HANDLE, TOGGLE FASTENER, ASSEMBLY	1	—	C/MR	PA3/26
19837	EA1.50.33	Spares for:— BUSH	2	—	—	PA3/26A
	EA1.50.25	HANDLE, toggle	1	—	—	PA3/26B
	EA1.50.27	LINK	1	—	—	PA3/26C
28P/1040788	SP90C8	Attaching parts for EA1.50.27:—	1	—	C	PA3/26D
24861	EA1.50.39	Pin, split Tube	1	—	C	PA3/26E
29H/4658471	TERRY 169/1	RING, split	1	—	C	PA3/27
635	EA1.50.49	SPRING, 19 SWG	1	Spring Steel	C	PA3/28
18192	EA1.50.51	Attaching parts for EA1.50.49:— Pin	1	—	C	PA3/28A
28P/1016032	SP4Y/H16	PIN	1	—	C	PA3/28B
28P/1221260	SP90E6	PIN, split	1	—	C	PA3/28C
16313	EA1.50.155	Attaching parts for EA1.50.95:—	2	S11	C	PA3/29
28P/9527619	SP90C7	Pin, stud, special Pin, split	2	—	C	PA3/30
16315	EA1.50.170	HOUSING, toggle	1	—	—	PA3/30A

POWER INSTALLATION
COWLING, ENGINE PORT

Ref. No.	Part No.	Description	No. off	Matl. Spec.	Cl. of Equip M.R. L.M.	Plate No.
636	EA1.50.283	FASTENER, TOGGLE, ASSEMBLY Spares for:—	1	—	C	PA3/32
7133	EA1.50.97	HANDLE, TOGGLE, FASTENER, ASSEMBLY Spares for:—	1	—	C/MR	PA3/33
	EA1.50.31	BUSH	2	—	—	PA3/33A
	EA1.50.41	HANDLE, toggle	1	—	—	PA3/33B
	EA1.50.43	LINK	1	—	—	PA3/33C
28P/1040788	SP90C8	Attaching parts for EA1.50.43:— Pin, split 1/16" dia	1	—	C	PA3/33D
	EA1.50.47	Tube	1	—	C	PA3/33E
29H/4658471	TERRY 189/1	RING, split	1	—	C	PA3/34
635	EA1.50.49	SPRING, 19 SWG	1	Spring Steel	C	PA3/35
6148	EA1.50.99	Attaching parts for EA1.50.49:— Pin	1	—	C	PA3/35A
28P/1016032	SP4Y/H16	PIN	1	—	C	PA3/35B
28P/19233	SP90E6	PIN, split, 3/32" dia	1	—	C	PA3/35C
17661	EA1.50.157	Attaching parts for EA1.50.97:— Pin, stud special	2	S11	C	PA3/36
28P/1220716	SP90E4	Pin, split, 3/32" dia	2	—	C	PA3/37
16316	EA1.50.171	HOUSING, toggle	1	—	—	PA3/37A
637	EA1.50.284	FASTENER, TOGGLE, ASSEMBLY Spares for:—	1	—	C	PA3/38
7133	EA1.50.97	HANDLE, TOGGLE, FASTENER, ASSEMBLY Spares for:—	1	—	C/MR	PA3/33
	EA1.50.31	BUSH	2	—	—	PA3/33A
	EA1.50.41	HANDLE, toggle	1	—	—	PA3/33B
	EA1.50.43	LINK	1	—	—	PA3/33C
28P/1040788	SP90C8	Attaching parts for EA1.50.43:— Pin, split, 1/16" dia	1	—	C	PA3/33D
	EA1.50.47	Tube	1	—	C	PA3/33E
29H/4100	TERRY 189/1	RING, split	1	—	C	PA3/34
635	EA1.50.49	SPRING, 19 SWG	1	Spring Steel	C	PA3/35
6148	EA1.50.99	Attaching parts for EA1.50.49:— Pin	1	—	C	PA3/35A
28P/1016032	SP4Y/H16	PIN	1	—	C	PA3/35B
28P/1221260	SP90E6	PIN, split, 3/32" dia	1	—	C	PA3/35C
17661	EA1.50.157	Attaching parts for EA1.50.97:— Pin, stud special	2	S11	C	PA3/36
28P/1220716	SP90E4	Pin, split, 3/32" dia	2	—	C	PA3/37
17662	EA1.50.172	HOUSING, toggle	1	—	—	PA3/37B

AP101B-0402-3A

POWER INSTALLATION
COWLING, ENGINE PORT

Page PA.5

Part Number	Description	No. Off	Matl. Spec.	Plate No.
EA1.50.161	. . . PANEL, toggle fastener housing	6	—	PA3/39
EA1.50.1639	. . . ROD, TENSION, FOR U/C COWL DOOR AND CABLE CHECK, ASSEMBLY (Pre Mod.5178)	1	—	PA3/40
EA3.50.43	. . . ROD, TENSION, FOR U/C COWL DOOR AND CABLE CHECK, ASSEMBLY (Mod.5178) Consisting of:	1	—	
A25/3C BOLT, 2BA			PA3/41
EA1.50.1641 CABLE, check (Pre Mod.5178)	1	—	PA3/42
EA3.50.39 CABLE, check (Mod.5178)	1	—	
SP3Y413 FORK-END	1	—	PA3/43
SP3Y413L FORK-END	1	—	PA3/44
A14CB NUT, 2BA	1	—	PA3/45
A14CBL NUT, 2BA	1	—	PA3/46
A27CP NUT, 2BA	1	—	PA3/47
SP8Y2 ROD, tension	1	—	PA3/48
EA3.50.45 SPACER (Mod.5178)	1	—	
SP13C WASHER	1	—	PA3/49
DZUS				
S5/325	. . . SPRING	6	—	PA3/50
EA1.50.1793	. . . WASHER, cup Attaching parts for EA3.50.23: Screw, csk. head, 2BA	10	DTD124A	PA3/51
EEAS1/1½C		10	S96	PA1/8
EA1.50.845	. . . COWL, TOP, REAR, ASSEMBLY Spares for:	1	L46	PA3/52
EA1.50.315	. . . DOOR, access, igniter plug	2	—	PA3/54
EA1.50.281	. . . FASTENER, TOGGLE, ASSEMBLY Spares for:	2	—	PA3/25
EA1.50.95 HANDLE, TOGGLE FASTENER, ASSEMBLY Spares for:	1	—	PA3/26
EA1.50.33 BUSH	2	—	PA3/26A
EA1.50.25 HANDLE, toggle	1	—	PA3/26B
EA1.50.27 LINK Attaching parts for EA1.50.27:	1	—	PA3/26C
SP90C8 Pin, split 1/16" dia	1	—	PA3/26D
EA1.50.39 Tube	1	—	PA3/26E
TERRY				
169/1 RING, split	1	—	PA3/27
EA1.50.49 SPRING, 19 SWG Attaching parts for EA1.50.49: Pin	1	Spring Steel	PA3/28
EA1.50.51 Pin	1	—	PA3/28A
SP4Y/H16 PIN	1	—	PA3/28B
SP90E6 PIN, split, 3/32" dia Attaching parts for EA1.50.95:	1	—	PA3/28C
EA1.50.155 Pin, stud special	2	S11	PA3/29
SP90C7 Pin, split, 1/16" dia	2	—	PA3/30

POWER INSTALLATION
COWLING, ENGINE PORT

Part Number	1 2 3 4 5 6	Description	No. Off	Matl. Spec.	Plate No.
EA1.50.282	FASTENER, TOGGLE, ASSEMBLY	2	—	PA3/31
		Spares for:			
EA1.50.95	HANDLE, TOGGLE FASTENER, ASSEMBLY	1	—	PA3/26
		Spares for:			
EA1.50.33	BUSH	2	—	PA3/26A
EA1.50.25	HANDLE, toggle	1	—	PA3/26B
EA1.50.27	LINK	1	—	PA3/26C
		Attaching parts for EA1.50.27:			
SP90C8	Pin, split, 1/16" dia	1	—	PA3/26D
EA1.50.39	Tube	1	—	PA3/26E
TERRY 169/1	RING, split	1	—	PA3/27
EA1.50.49	SPRING, 19 SWG	1	Spring Steel	PA3/28
		Attaching parts for EA1.50.49:			
EA1.50.51	Pin	1	—	PA3/28A
SP4Y/H16	PIN	1	—	PA3/28B
SP90/E6	PIN, split 3/32" dia	1	—	PA3/28C
		Attaching parts for EA1.50.95:			
EA1.50.155	Pin, stud special	2	S11	PA3/29
SP90C7	Pin, split, 1/16" dia	2	—	PA3/30
EA1.50.283	FASTENER, TOGGLE, ASSEMBLY	2	—	PA3/32
		Spares for:			
EA1.50.97	HANDLE, TOGGLE FASTENER, ASSEMBLY	1	—	PA3/33
		Spares for:			
EA1.50.31	BUSH	2	—	PA3/33A
EA1.50.41	HANDLE, toggle	1	—	PA3/33B
EA1.50.43	LINK	1	—	PA3/33C
		Attaching parts for EA1.50.43:			
SP90C8	Pin, split 1/16" dia	1	—	PA3/33D
EA1.50.47	Tube	1	—	PA3/33E
TERRY 169/1	RING, split 1" dia	1	—	PA3/34
EA1.50.49	SPRING, 19 SWG	1	Spring Steel	PA3/35
		Attaching parts for EA1.50.49:			
EA1.50.99	Pin	1	—	PA3/35A
SP4Y/H16	PIN	1	—	PA3/35B
SP90E6	PIN, split 3/32" dia	1	—	PA3/35C
		Attaching parts for EA1.50.97:			
EA1.50.157	Pin, stud, special	2	S11	PA3/36
SP90E4	Pin, split 3/32" dia	2	—	PA3/37

POWER INSTALLATION
COWLING, ENGINE PORT

Ref. No.	Part No.	Description	No. off	Matl. Spec.	Cl. of Equip M.R. L.M.	Plate No.
637	EA1.50.284	FASTENER, TOGGLE, ASSEMBLY	2	—	C	PA3/38
7133	EA1.50.97	Spares for:— HANDLE, TOGGLE, FASTENER, ASSEMBLY	1	—	C/MR	PA3/33
	EA1.50.31	Spares for:— BUSH	2	—	—	PA3/33A
	EA1.50.41	HANDLE, toggle	1	—	—	PA3/33B
	EA1.50.43	LINK	1	—	—	PA3/33C
28P/1040788 21023	SP90C8	Attaching parts for EA1.50.43:— Pin, split 1/16" dia	1	—	C	PA3/33D
	EA1.50.47	Tube	1	—	C	PA3/33E
29H/4658471 635	TERRY 169/1	RING, split, 1" dia	1	—	C	PA3/34
	EA1.50.49	SPRING, 19 SWG	1	Spring Steel	C	PA3/35
6148	EA1.50.99	Attaching parts for EA1.50.49:— Pin	1	—	C	PA3/35A
28P/1016032 28P/1221260	SP4Y/H16 SP90E6	PIN	1	—	C	PA3/35B
		PIN, split 3/32" dia	1	—	C	PA3/35C
17661 28P/1220716	EA1.50.157 SP90E4	Attaching parts for EA1.50.97:— Pin, stud special	2	S11	C	PA3/36
		Pin, split 3/32" dia	2	—	C	PA3/37
28FP/4062396	DZUS FJ5/60DS	FASTENER	4	—	C	PA3/55
28FP/4062398	DZUS FJ5/70DS	FASTENER	4	—	C	PA3/56
28FP/4062400 628	DZUS FJ5/80DS	FASTENER	2	—	C	PA3/57
28FP/341 6503 640	EA1.50.161 DZUS S3/325	PANEL, toggle fastener housing	8	—	C	PA3/53
	EA1.50.1793	SPRING	8	—	C	PA3/58
	EA1.50.109	WASHER cup	10	DTD124A	C	PA3/59
28P/4706207 28P/9710567	SP4Y/D6 SP90C4	FORK-END, fitting toggle fastener	2	S11	C	PA1/9
		Attaching parts for EA1.50.109:— Pin, shackle	1	—	C	PA1/10
		Pin, split 1/16" dia	1	—	C	PA1/10A
642	EA1.50.135	FORK-END fitting, toggle fastener	6	DTD683	C	PA1/11
28P/4706207 28P/9710567	SP4Y/D6 SP90C4	Attaching parts for EA1.50.135:— Pin, shackle	1	—	C	PA1/12
		Pin, split 1/16" dia	1	—	C	PA1/12A
643	EA1.50.137	FORK-END, fitting toggle fastener	8	DTD683	C	PA1/13
28P/9016037 28P/1220716	SP4Y/F10 SP90E4	Attaching parts for EA1.50.137:— Pin, shackle	1	—	C	PA1/14
		Pin, split 3/32" dia	1	—	C	PA1/14A

POWER INSTALLATION
COWLING, ENGINE, PORT

Ref. No.	Part No.	Description	No. off	Matl. Spec.	Cl. of Equip M.R. L.M.	Plate No.
644	EA1.50.391	. FORK-END, fitting, toggle fastener	1	DTD683	C	PA1/15
28P/9483204	SP4Y/D10	Attaching parts for EA1.50.391:—	1	—	C	PA1/16
28P/1021104	SP90C3	. Pin, shackle	1	—	C	PA1/16A
		. Pin, split 1/16" dia	1	—	C	PA1/16A
645	EA1.50.29	. HOOK, cowl toggle fastener	8	S11	C	PA1/17
646	EA1.50.45	. HOOK, cowl toggle fastener	10	S11	C	PA1/18
28M/1007403	A27ET	. NUT, locking	18	—	C	PA1/18A
3040	EA1.50.13	. PANEL, ENGINE SERVICE, ASSEMBLY	1	—	A	PA2/17
		Spares for:—				
636	EA1.50.283	. . FASTENER TOGGLE, ASSEMBLY	2	—	C	PA2/19
		Spares for:—				
7133	EA1.50.97 HANDLE, TOGGLE FASTENER, ASSEMBLY	1	—	C/MR	PA2/20
		Spares for:—				
	EA1.50.31 BUSH	2	—	—	PA2/21
	EA1.50.41 HANDLE, toggle	1	—	—	PA2/22
	EA1.50.43 LINK	1	—	—	PA2/23
		Attaching parts for EA1.50.43:—				
28P/1040788	SP90C8 Pin, split 1/16" dia	1	—	C	PA2/24
21023	EA1.50.47 Tube	1	—	C	PA2/25
	TERRY					
29H/4658471	169/1 RING, split 1" dia	1	—	C	PA2/26
635	EA1.50.49 SPRING, 19 SWG	1	Spring Steel	C	PA2/27
		Attaching parts for EA1.50.49:—				
6148	EA1.50.99 Pin	1	—	C	PA2/28
28P/1016032	SP4Y/H16 PIN	1	—	C	PA2/29
28P/1221260	SP90E6 PIN, stud 3/32" dia	1	—	C	PA2/30
		Attaching parts for EA1.50.97:—				
17661	EA1.50.157 Pin, stud, special	2	S11	C	PA2/31
28P/1220716	SP90E4 Pin, split 3/32" dia	2	—	C	PA2/32
16316	EA1.50.171 HOUSING, toggle	1	—	—	PA2/33
637	EA1.50.284	. . . FASTENER, TOGGLE, ASSEMBLY	2	—	C	PA2/35
		Spares for:—				
7133	EA1.50.97 HANDLE, TOGGLE, FASTENER, ASSEMBLY	1	—	C/MR	PA2/20
		Spares for:—				
	EA1.50.31 BUSH	2	—	—	PA2/21
	EA1.50.41 HANDLE, toggle	1	—	—	PA2/22
	EA1.50.43 LINK	1	—	—	PA2/23
		Attaching parts for EA1.50.43:—				
28P/1040788	SP90C8 Pin, split 1/16" dia	1	—	C	PA2/24
21023	EA1.50.47 Tube	1	—	C	PA2/25

AP101B-0402-3A

POWER INSTALLATION
COWLING, ENGINE, PORT

Part Number	Description						No. Off	Matl. Spec.	Plate No.
	1	2	3	4	5	6			
TERRY									
169/1							1	—	PA2/26
EA1.50.49							1	Spring Steel	PA2/27
EA1.50.99							1	—	PA2/28
SP4Y/H16							1	—	PA2/29
SP90E6							1	—	PA2/30
EA1.50.157							2	S11	PA2/31
SP90E4							2	—	PA2/32
EA1.50.172							1	—	PA2/34
EA1.50.161							4	—	PA2/18
EA1.50.291							8	—	PA2/36
EA6.50.283							2	—	PA2/37
EA1.50.293							1	—	
EE.11/2							QR	—	PA2/45
EC.1099							QR	—	
EB7.50.37							1	—	PA2/38
EB7.50.41							1	Bestobell	PA2/39
EA1.50.393							2	DTD126	PA2/40
EA3.50.13							2	—	
EA3.50.21							2	—	PA2/41
EA1.50.111							1	DTD683	PA1/19
SP4Y/D15							1	—	PA1/20
EA1.50.119							4	S11	PA1/21
EA1.50.121							1	S11	PA1/22
EA1.50.123							1	S11	PA1/23
EA1.50.125							2	S11	PA1/24
EA1.50.129							4	S96	PA1/25
EA1.50.131							2	S96	PA1/26
EA1.50.133							2	S96	PA1/27
EEAS1/8E							2	S96	PA1/28
EA1.50.101							4	Spring Steel	PA1/29

R

R

AP101B-0402-3A

POWER INSTALLATION
COWLING, ENGINE, STARBOARD

Part Number	Description	No. Off	Matl. Spec.	Plate No.
EA1.50.396	COWLING, ENGINE, STARBOARD, ASSEMBLY Spares for:	—	—	PB1/30
EA1.50.103	. CLIP, toggle hook spring	2	L72	PB1/2
EA1.50.105	. CLIP, toggle hook spring	2	L72	PB1/3
AS1246/1B	. Attaching parts for EA1.50.103 and EA1.50.105:			
AGS2001B1	. Bolt, round head, 4BA	1	—	PB1/4
SP13B	. Nut, stiff, 4BA	1	—	PB1/5
	. Washer	1	—	PB1/6
EA3.00.122	. COWL, FRONT, ASSEMBLY (Ref. Drg EA1.50.250) Spares for:	1	—	PB2/42
EA1.50.869	. . BAFFLE	1	—	PB2/7
EA1.50.1753	. . DUCT, air compressor bleed valve Attaching parts for EA1.50.1753:	1	—	PB2/8
EEAS1/1½C	. . Screw, csk. head, 2BA	14	S96	PB2/9
EA1.50.843	. . INTAKE, AIR, ASSEMBLY Spares for:	1	—	PB2/2
EA1.50.1673	. . . PLATE, louvre Attaching parts for EA1.50.1673:	2	DTD166B	PB2/4
AS2920/1B	. . . Bolt, 4BA	6	—	PB2/3
EA1.50.1597	. . . SCREEN, perforated	38	ALUM	PB2/5
EA1.50.1823	. . . SLEEVE, exhaust	1	—	PB2/6
EA1.50.1761	. . . PANEL, access for adjustment of accelerator and bleed valve control	3	—	PB2/10
EA1.50.1779	. . . PANEL, access for bleed valve adjustment Attaching parts for EA1.50.1779:	1	—	PB2/11
EEAS1/1C	. . . Screw, csk. head, 2BA	8	S96	PB2/12
EA1.50.1805	. . . PANEL, access, P.V. ram Attaching parts for EA1.50.1805:	1	L72	PB2/13
AS1242/1C	. . . Bolt, csk. head, 2BA	8	—	PB2/14
EA1.50.1807	. . . PANEL, access, P.V. ram Attaching parts for EA1.50.1807:	1	L72	PB2/15
AS1242/1C	. . . Bolt, csk. head, 2BA	8	—	PB2/16
EA1.50.1051	. Attaching parts for EA3.00.122: . Screw, special	41	S11	PB1/7
EA3.00.132	. COWL, BOTTOM REAR (LESS U/C COWL DOOR) (PRE MOD.2545) (Ref. Drg EA1.50.842)	1	—	
EA3.50.24	. COWL, BOTTOM, REAR (LESS U/C COWL DOOR) ASSEMBLY (MOD.2545-S.O.O.) Spares for:	1	—	PB3/60
EA1.50.66	. . BRACKET, forward hinge Attaching parts for EA1.50.66:	1	DTD683	PB3/61
A25/20C	. . . Bolt, 2BA	4	—	PB3/3
A27CT	. . . Nut, thin, 2BA	4	—	PB3/4
SP15C	. . . Washer	4	—	PB3/5

R

POWER INSTALLATION
COWLING, ENGINE, STARBOARD

Part Number	Description	No. Off	Matl. Spec.	Plate No.
EA1.50.68	. . . BRACKET, aft hinge Attaching parts for EA1.50.68:	1	DTD683	PB3/62
A25/20C	. . . Bolt, 2BA	2	—	PB3/7
A25/21C	. . . Bolt, 2BA	2	—	PB3/8
A27CT	. . . Nut, thin, 2BA	4	—	PB3/9
SP15/C	. . . Washer	2	—	PB3/10
SP16/C	. . . Washer	2	—	PB3/11
EA1.50.428	. . . COWL, BOTTOM REAR ASSEMBLY (PRE MOD.2545)	—	—	
EA3.50.26	. . . COWL, BOTTOM, REAR, ASSEMBLY (MOD.2545-S.O.O.) Spares for:	—	—	PB3/63
EA1.50.871 DUCT, outboard	1	—	PB3/63A
EA1.50.1592 DUCT, inboard Attaching parts for EA1.50.871 and EA1.50.1592:	1	—	PB3/63B
A25/1B Bolt, 4BA	5	—	PB3/12C
A27BP Nut, 4BA	5	—	PB3/12D
SP15B Washer	5	—	PB3/12E
EA1.50.975 FUNNEL, assembly, air ducts	2	—	PB3/12F
EA1.50.1523 OUTLET, drain	1	—	PB3/12G
EA1.50.1601 PLATE, retaining, oil sump drain outlet	1	—	PB3/13
EA1.50.1603 SPRING, drain outlet (Pre Mod.2670)	1	—	
EA6.50.991 SPRING, drain outlet (Mod.2670)	1	—	PB3/14
EA1.50.981 SPRING, air duct outlet funnel	2	—	PB3/14A
EA1.50.318	. . . DOOR, access in bottom rear cowl	1	—	PB3/64
EA1.50.320	. . . DOOR, u/c cowl Attaching parts for EA1.50.320:	1	—	PB3/65
AGS899/6	. . . Collar	2	—	PB3/17
SP4Z/F10	. . . Pin, shackle	1	—	PB3/18
SP4Z/F18	. . . Pin, shackle	1	—	PB3/19
SP90C7	. . . Pin, split, 1/16" dia	2	—	PB3/20
EA1.50.365	. . . Washer	2	L46	PB3/21
DZUS	. . . FASTENER	4	—	PB3/22
FJ5/60DS	. . . FASTENER	4	—	PB3/23
DZUS	. . . FASTENER	4	—	PB3/23
FJ5/70DS	. . . FASTENER	4	—	PB3/23
DZUS	. . . FASTENER	2	—	PB3/24
FJ5/80DS	. . . FASTENER	2	—	PB3/24

R

POWER INSTALLATION
COWLING, ENGINE, STARBOARD

Ref. No.	Part No.	Description	No. off	Matl. Spec.	Cl. of Equip M.R. L.M.	Plate No.
633	EA1.50.281	FASTENER, TOGGLE, ASSEMBLY Spares for:—	2	—	C	PB3/25
16312	EA1.50.95	HANDLE, TOGGLE, FASTENER, ASSEMBLY Spares for:—	1	—	C/MR	PB3/26
19837	EA1.50.33	BUSH	2	—	—	PB3/26A
	EA1.50.25	HANDLE, toggle	1	—	—	PB3/26B
	EA1.50.27	LINK	1	—	—	PB3/26C
28P/1040788	SP90C8	Attaching parts for EA1.50.27:—				
24861	EA1.50.39	Pin, split, 1/16" dia	1	—	C	PB3/26D
		Tube	1	—	C	PB3/26E
	TERRY					
29H/4658471	169/1	RING, split	1	—	C	PB3/27
635	EA1.50.49	SPRING, 19 SWG	1	Spring Steel	C	PB3/28
		Attaching parts for EA1.50.49:—				
18192	EA1.50.51	Pin	1	—	C	PB3/28A
28P/1016032	SP4Y/H16	PIN	1	—	C	PB3/28B
28P/1221260	SP90E6	PIN, split, 3/32" dia	1	—	C	PB3/28C
		Attaching parts for EA1.50.95:—				
16313	EA1.50.155	Pin, special stud	2	S11	C	PB3/29
28P/9527619	SP90C7	Pin, split, 1/16" dia	2	—	C	PB3/30
16314	EA1.50.169	HOUSING, toggle	1	—	—	PB3/30A
634	EA1.50.282	FASTENER, TOGGLE, ASSEMBLY Spares for:—	2	—	C	PB3/31
16312	EA1.50.95	HANDLE, TOGGLE, FASTENER, ASSEMBLY Spares for:—	1	—	C/MR	PB3/26
19837	EA1.50.33	BUSH	2	—	—	PB3/26A
	EA1.50.25	HANDLE, toggle	1	—	—	PB3/26B
	EA1.50.27	LINK	1	—	—	PB3/26C
		Attaching parts for EA1.50.27:—				
28P/1040788	SP90C8	Pin, split, 1/16" dia	1	—	C	PB3/26D
24861	EA1.50.39	Tube	1	—	C	PB3/26E
	TERRY					
29H/4658471	169/1	RING, split	1	—	C	PB3/27
635	EA1.50.49	SPRING, 19 SWG	1	Spring Steel	C	PB3/28
		Attaching parts for EA1.50.49:—				
18192	EA1.50.51	Pin	1	—	C	PB3/28A
28P/1016032	SP4Y/H16	PIN	1	—	C	PB3/28B
28P/1221260	SP90E6	PIN, split, 3/32" dia	1	—	C	PB3/28C
		Attaching parts for EA1.50.95:—				
16313	EA1.50.155	Pin, stud, special	2	S11	C	PB3/29
28P/9527619	SP90C7	Pin, split, 1/16" dia	2	—	C	PB3/30
	EA1.50.170	HOUSING, toggle	1	—	—	PB3/30B

POWER INSTALLATION
COWLING, ENGINE, STARBOARD

Ref. No.	Part No.	Description	No. off	Matl. Spec.	Cl. of Equip M.R. L.M.	Plate No.
636	EA1.50.283	. . . FASTENER, TOGGLE, ASSEMBLY Spares for:—	1	—	C	PB3/32
7133	EA1.50.97	. . . HANDLE, TOGGLE, FASTENER Spares for:—	1	—	C/MR	PB3/33
	EA1.50.31 BUSH	2	—	—	PB3/33A
	EA1.50.41 HANDLE, toggle	1	—	—	PB3/33B
	EA1.50.43 LINK	1	—	—	PB3/33C
28P/1040788	SP90C8 Attaching parts for EA1.50.43:— Pin, split, 1/16" dia	1	—	C	PB3/33D
21023	EA1.50.47 Tube	1	—	C	PB3/33E
	TERRY					
29H/4658471	169/1 RING, split	1	—	C	PB3/34
635	EA1.50.49 SPRING, 19 SWG	1	Spring Steel	C	PB3/35
	 Attaching parts for EA1.50.49:— Pin	1	—	C	PB3/35A
6148	EA1.50.99 Pin	1	—	C	PB3/35A
28P/1016032	SP4Y/H16 PIN	1	—	C	PB3/35B
28P/1221260	SP90E6 PIN, split, 3/32" dia	1	—	C	PB3/35C
	 Attaching parts for EA1.50.97:— Pin, stud, special	2	S11	C	PB3/36
17661	EA1.50.157 Pin, split, 3/32" dia	2	—	C	PB3/37
28P/1220716	SP90E4 Pin, split, 3/32" dia	2	—	C	PB3/37
16316	EA1.50.171 HOUSING, toggle	1	—	—	PB3/37A
637	EA1.50.284	. . . FASTENER, TOGGLE, ASSEMBLY Spares for:—	1	—	C	PB3/38
7133	EA1.50.97	. . . HANDLE, TOGGLE FASTENER, ASSEMBLY Spares for:—	1	—	C/MR	PB3/33
	EA1.50.31 BUSH	2	—	—	PB3/33A
	EA1.50.41 HANDLE, toggle	1	—	—	PB3/33B
	EA1.50.43 LINK	1	—	—	PB3/33C
28P/1040788	SP90C8 Attaching parts for EA1.50.43:— Pin, split, 1/16" dia	1	—	C	PB3/33D
21023	EA1.50.47 Tube	1	—	C	PB3/33E
	TERRY					
29H/4658471	169/1 RING, split	1	—	C	PB3/34
635	EA1.50.49 SPRING, 19 SWG	1	Spring Steel	C	PB3/35
	 Attaching parts for EA1.50.49:— Pin	1	—	C	PB3/35A
6148	EA1.50.99 Pin	1	—	C	PB3/35A
28P/1016032	SP4Y/H16 PIN	1	—	C	PB3/35B
28P/1221260	SP90E6 PIN, split, 3/32" dia	1	—	C	PB3/35C
	 Attaching parts for EA1.50.97:— Pin, stud, special	2	S11	C	PB3/36
17661	EA1.50.157 Pin, split, 3/32" dia	2	—	C	PB3/37
28P/1220716	SP90E4 Pin, split, 3/32" dia	2	—	C	PB3/37
17662	EA1.50.172 HOUSING, toggle	1	—	—	PB3/37B

AP101B-0402-3A		POWER INSTALLATION			COWLING, ENGINE, STARBOARD	
Part Number	Description	No. Off	Matl. Spec.	Plate No.		
	1 2 3 4 5 6					
R EA1.50.161 PANEL, toggle fastener housing	6	—	PB3/39		
EA1.50.1639 ROD, TENSION, FOR U/C COWL DOOR & CABLE CHECK ASSEMBLY (Pre Mod.5178)	1	—	PB3/40		
R EA3.50.43 ROD, TENSION, FOR U/C COWL DOOR AND CABLE CHECK ASSEMBLY (Mod.5178) Consisting of:	1	—			
A25/3C BOLT, 2BA	1	—	PB3/41		
R EA1.50.1641 CABLE, check (Pre Mod.5178)	1	—	PB3/42		
EA3.50.39 CABLE, check (Mod.5178)	1	—			
SP3/413 FORK, END	1	—	PB3/43		
SP3/413L FORK, END	1	—	PB3/44		
A14CB NUT, 2BA	1	—	PB3/45		
A14CBL NUT, 2BA	1	—	PB3/46		
A27CP NUT, 2BA	1	—	PB3/47		
SP8Y2 ROD, tension	1	—	PB3/48		
R EA3.50.45 SPACER (Mod.5178)	1	—			
SP13C WASHER	1	—	PB3/49		
DZUS						
S5/325 SPRING	6	—	PB3/50		
EA1.50.1793 WASHER, cup Attaching parts for EA3.50.24:	10	DTD124A	PB3/51		
EEAS1/1½C Screw, csk. head, 2BA	10	S96	PB1/8		
EA1.50.846 COWL, TOP REAR, ASSEMBLY Spares for:	1	—	PB3/66		
EA1.50.315 DOOR, access igniter plug	2	—	PB3/54		
EA1.50.281 FASTENER, TOGGLE, ASSEMBLY Spares for:	2	—	PB3/25		
EA1.50.95 HANDLE, TOGGLE, FASTENER, ASSEMBLY Spares for:	1	—	PB3/26		
EA1.50.33 BUSH	2	—	PB3/26A		
EA1.50.25 HANDLE, toggle	1	—	PB3/26B		
EA1.50.27 LINK Attaching parts for EA1.50.27:	1	—	PB3/26C		
SP90C8 Pin, split, 1/16" dia	1	—	PB3/26D		
EA1.50.39 Tube	1	—	PB3/26E		
TERRY						
169/1 RING, split	1	—	PB3/27		
EA1.50.49 SPRING, 19 SWG Attaching parts for EA1.50.49:	1	Spring Steel	PB3/28		
EA1.50.51 Pin	1	—	PB3/28A		
SP4Y/H16 PIN	1	—	PB3/28B		
SP90E6 PIN, split, 3/32" dia Attaching pins for EA1.50.95:	1	—	PB3/28C		
EA1.50.155 Pin, stud, special	2	S11	PB3/29		
SP90C7 Pin, split, 1/16" dia	2	—	PB3/30		
EA1.50.161 HOUSING, fastener, toggle	8	—	PB3/53		

POWER INSTALLATION
COWLING, ENGINE, STARBOARD

Part Number	1 2 3 4 5 6	Description	No. Off	Matl. Spec.	Plate No.
EA1.50.282	FASTENER, TOGGLE, ASSEMBLY	2	—	PB3/31
		Spares for:			
EA1.50.95	HANDLE, TOGGLE, FASTENER, ASSEMBLY	1	—	PB3/26
		Spares for:			
EA1.50.33	BUSH	2	—	PB3/26A
EA1.50.25	HANDLE, toggle	1	—	PB3/26B
EA1.50.27	LINK	1	—	PB3/26C
		Attaching parts for EA1.50.27:			
SP90C8	Pin, split, 1/16" dia	1	—	PB3/26D
EA1.50.39	Tube	1	—	PB3/26E
TERRY 169/1	RING, split	1	—	PB3/27
EA1.50.49	SPRING, 19 SWG	1	Spring Steel	PB3/28
		Attaching parts for EA1.50.49:			
EA1.50.51	Pin	1	—	PB3/28A
SP4Y/H16	PIN	1	—	PB3/28B
SP90E6	PIN, split, 3/32" dia	1	—	PB3/28C
		Attaching parts for EA1.50.95:			
EA1.50.155	Pin, stud, special	2	S11	PB3/29
SP90C7	Pin, split, 1/16" dia	2	—	PB3/30
EA1.50.283	FASTENER, TOGGLE, ASSEMBLY	2	—	PB3/32
		Spares for:			
EA1.50.97	HANDLE, TOGGLE, FASTENER, ASSEMBLY	1	—	PB3/33
		Spares for:			
EA1.50.31	BUSH	2	—	PB3/33A
EA1.50.41	HANDLE	1	—	PB3/33B
EA1.50.43	LINK	1	—	PB3/33C
		Attaching parts for EA1.50.43:			
SP90C8	Pin, split, 1/16" dia	1	—	PB3/33D
EA1.50.47	Tube	1	—	PB3/33E
TERRY 169/1	RING, split, 1" dia	1	—	PB3/34
EA1.50.49	SPRING, 19 SWG	1	Spring Steel	PB3/35
		Attaching parts for EA1.50.49:			
EA1.50.99	Pin	1	—	PB3/35A
SP4Y/H16	PIN	1	—	PB3/35B
SP90E6	PIN, split, 3/32" dia	1	—	PB3/35C
		Attaching parts for EA1.50.97:			
EA1.50.157	Pin, stud, special	2	S11	PB3/36
SP90E4	Pin, split, 3/32" dia	2	—	PB3/37

POWER INSTALLATION
COWLING, ENGINE, STARBOARD

Ref. No.	Part No.	Description	No. off	Matl. Spec.	Cl. of Equip M.R. L.M.	Plate No.
637	EA1.50.284	. . . FASTENER, TOGGLE, ASSEMBLY Spares for:—	2	—	C	PB3/38
7133	EA1.50.97 HANDLE, TOGGLE FASTENER, ASSEMBLY Spares for:—	1	—	C/MR	PB3/33
	EA1.50.31 BUSH	2	—	—	PB3/33A
	EA1.50.41 HANDLE, toggle	1	—	—	PB3/33B
	EA1.50.43 LINK Attaching parts for EA1.50.43:—	1	—	—	PB3/33C
28P/1040788	SP90C8 Pin, split, 1/16" dia	1	—	C	PB3/33D
21023	EA1.50.47 Tube	1	—	C	PB3/33E
	TERRY					
29H/4658471	169/1 RING, split, 1" dia	1	—	C	PB3/34
635	EA1.50.49 SPRING, 19 SWG Attaching parts for EA1.50.49:—	1	Spring Steel	C	PB3/35
6148	EA1.50.99 Pin	1	—	C	PB3/35A
28P/1016032	SP4Y/H16 PIN	1	—	C	PB3/35B
28P/1221260	SP90E6 PIN, split, 3/32" dia Attaching parts for EA1.50.97:—	1	—	C	PB3/35C
17661	EA1.50.157 Pin, stud, special	2	S11	C	PB3/36
28P/1220716	SP90E4 Pin, split, 3/32" dia	2	—	C	PB3/37
	DZUS					
28FP/4062396	FJ5/60DS	. . . FASTENER	4	—	C	PB3/55
	DZUS					
28FP/4062398	FJ5/70DS	. . . FASTENER	4	—	C	PB3/56
	DZUS					
28FP/4062400	FJ5/80DS	. . . FASTENER	2	—	C	PB3/57
	DZUS					
28FP/341	S5/325	. . . SPRING	8	—	C	PB3/58
6503	EA1.50.1793	. . . WASHER, cup	10	DTD124/A	C	PB3/59
640	EA1.50.109	. . . FORK-END, fitting, toggle fastener Attaching parts for EA1.50.109:—	2	S11	C	PB1/9
28P/4706207	SP4Y/D6	. . . Pin, shackle	1	—	C	PB1/10
28P/9710567	SP90C4	. . . Pin, split, 1/16" dia	1	—	C	PB1/10A
642	EA1.50.135	. . . FORK-END, fitting, toggle fastener Attaching parts for EA1.50.135:—	6	DTD683	C	PB1/11
28P/4706207	SP4Y/D6	. . . Pin, shackle	1	—	C	PB1/12
28P/9710567	SP90C4	. . . Pin, split, 1/16" dia	1	—	C	PB1/12A
643	EA1.50.137	. . . FORK-END, fitting, toggle fastener Attaching parts for EA1.50.137:—	8	DTD683	C	PB1/13
28P/9016037	SP4Y/F10	. . . Pin, shackle	1	—	C	PB1/14
28P/1220716	SP90E4	. . . Pin, split, 3/32" dia	1	—	C	PB1/14A

POWER INSTALLATION
COWLING, ENGINE, STARBOARD

Ref. No.	Part No.	Description	No. off	Matl. Spec.	Cl. of Equip M.R. L.M.	Plate No.
644	EA1.50.391	· FORK-END, fitting, toggle fastener	1	DTD683	C	PB1/15
28P/9483204	SP4Y/D10	· Attaching parts for EA1.50.391:—	1	—	C	PB1/16
28P/1021104	SP90C3	· Pin, shackle	1	—	C	PB1/16A
		· Pin, split, 1/16" dia	1	—	C	PB1/16A
645	EA1.50.29	· HOOK, cowl, toggle fastener	8	S11	C	PB1/17
646	EA1.50.45	· HOOK, cowl, toggle fastener	10	S11	C	PB1/18
28M/1007403	A27ET	· NUT, locking	18	—	C	PB1/18A
3041	EA1.50.14	· PANEL, ENGINE SERVICE, ASSEMBLY	1	—	A	PB2/43
		· Spares for:—				
636	EA1.50.283	· FASTENER, TOGGLE, ASSEMBLY	2	—	C	PB2/19
		· Spares for:—				
7133	EA1.50.97	· HANDLE, TOGGLE FASTENER, ASSEMBLY	1	—	C/MR	PB2/20
		· Spares for:—				
	EA1.50.31	· BUSH	2	—	—	PB2/21
	EA1.50.41	· HANDLE, toggle	1	—	—	PB2/22
	EA1.50.43	· LINK	1	—	—	PB2/23
		· Attaching parts for EA1.50.43:—				
28P/1040788	SP90C8	· Pin, split, 1/16" dia	1	—	C	PB2/24
21023	EA1.50.47	· Tube	1	—	C	PB2/25
	TERRY					
29H/4658471	169/1	· RING, split, 1" dia	1	—	C	PB2/26
635	EA1.50.49	· SPRING, 19 SWG	1	Spring Steel	C	PB2/27
		· Attaching parts for EA1.50.49:—				
6148	EA1.50.99	· Pin	1	—	C	PB2/28
28P/1016032	SP4Y/H16	· PIN	1	—	C	PB2/29
28P/1221260	SP90E6	· PIN, split, 3/32" dia	1	—	C	PB2/30
		· Attaching parts for EA1.50.97:—				
17661	EA1.50.157	· Pin, stud, special	2	S11	C	PB2/31
28P/1220716	SP90E4	· Pin, split, 3/32" dia	2	—	C	PB2/32
16316	EA1.50.171	· HOUSING, toggle	1	—	—	PB2/33
637	EA1.50.284	· FASTENER, TOGGLE, ASSEMBLY	2	—	C	PB2/35
		· Spares for:—				
7133	EA1.50.97	· HANDLE, TOGGLE FASTENER, ASSEMBLY	1	—	C/MR	PB2/20
		· Spares for:—				
	EA1.50.31	· BUSH	2	—	—	PB2/21
	EA1.50.41	· HANDLE, toggle	1	—	—	PB2/22
	EA1.50.43	· LINK	1	—	—	PB2/23
		· Attaching parts for EA1.50.43:—				
28P/1040788	SP90C8	· Pin, split, 1/16" dia	1	—	C	PB2/24
21023	EA1.50.47	· Tube	1	—	C	PB2/25

POWER INSTALLATION
COWLING, ENGINE, STARBOARD

Part Number	Description						No. Off	Matl. Spec.	Plate No.
	1	2	3	4	5	6			
TERRY									
169/1							1	—	PB2/26
EA1.50.49							1	Spring Steel	PB2/27
EA1.50.99							1	—	PB2/28
SP4Y/H16							1	—	PB2/29
SP90E6							1	—	PB2/30
EA1.50.157							2	S11	PB2/31
SP90E4							2	—	PB2/32
EA1.50.172							1	—	PB2/34
EA1.50.161							4	—	PB2/18
EA1.50.292							—	—	PB2/44
EA6.50.283							2	—	PB2/37
EA1.50.294							1	—	
R EE.11/2							QR	—	PB2/45
R EC.1099							QR	—	
EB7.50.37							1	—	PB2/38
EB7.50.41							1	Bestobell	PB2/39
EA1.50.393							2	DTD126	PB2/40
EA3.50.13							2	—	
EA3.50.21							2	—	PB2/41
EA1.50.111							1	DTD683	PB1/19
SP4Y/D15							1	—	PB1/20
EA1.50.119							4	S11	PB1/21
EA1.50.121							1	S11	PB1/22
EA1.50.123							1	S11	PB1/23
EA1.50.125							2	S11	PB1/24
EA1.50.129							4	S96	PB1/25
EA1.50.131							2	S96	PB1/26
EA1.50.133							2	S96	PB1/27
EEAS.1/8E							2	S96	PB1/28
EA1.50.101							4	Spring Steel	PB1/29

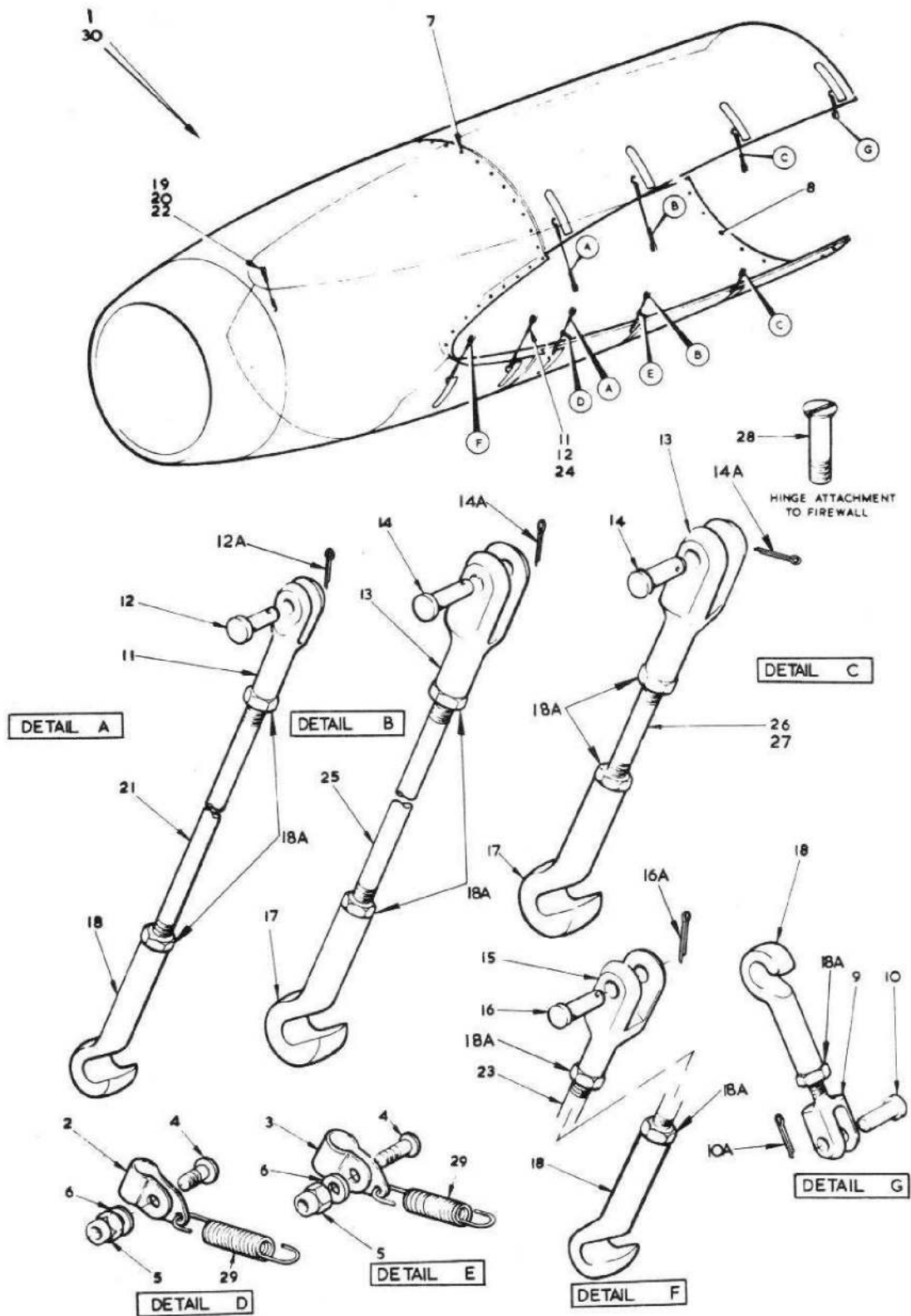


FIG1 COWLING ENGINE PORT AND STBD

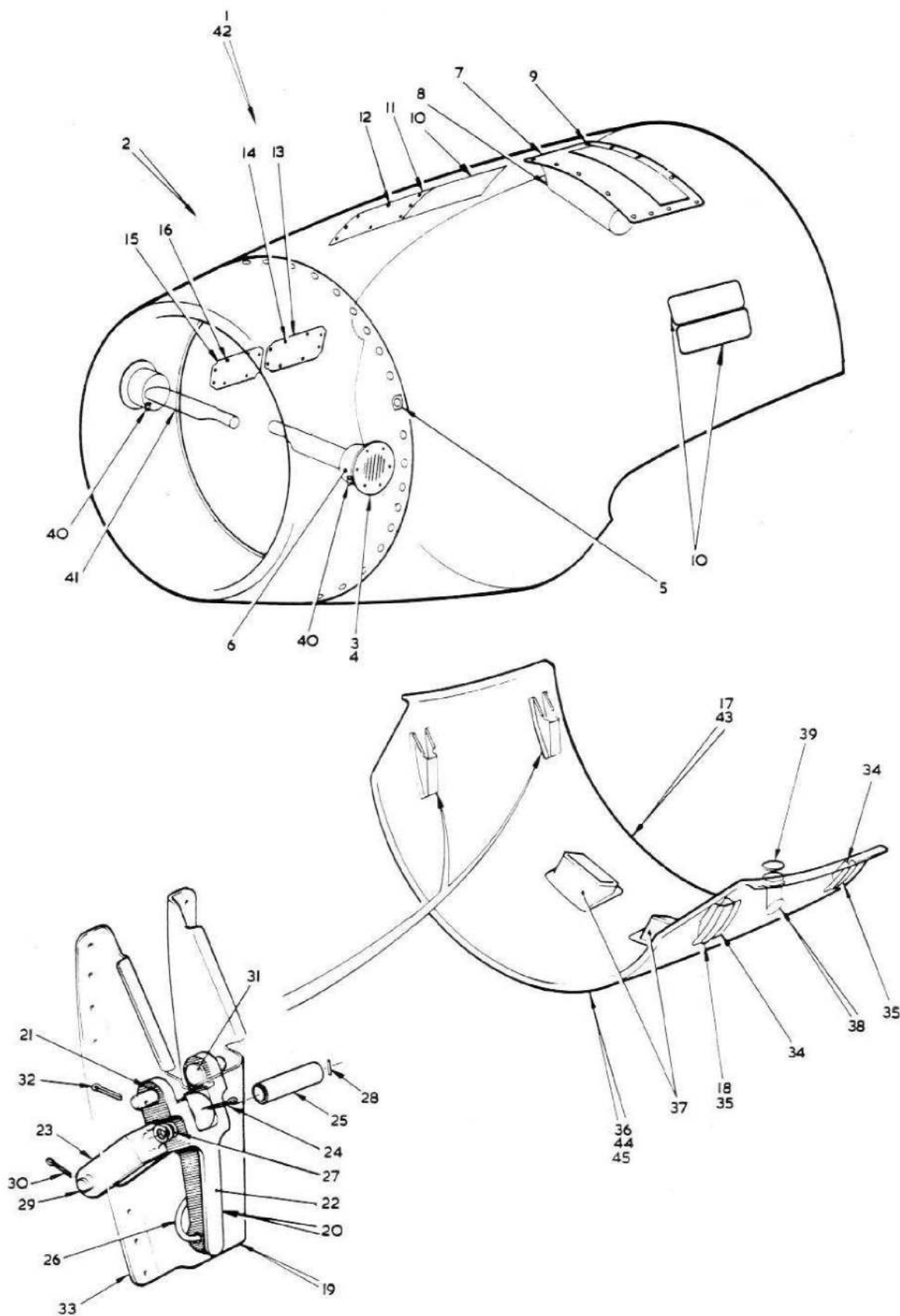


FIG 2 COWLING ENGINE PORT AND STBD

CODE RS

SECT PA/PB

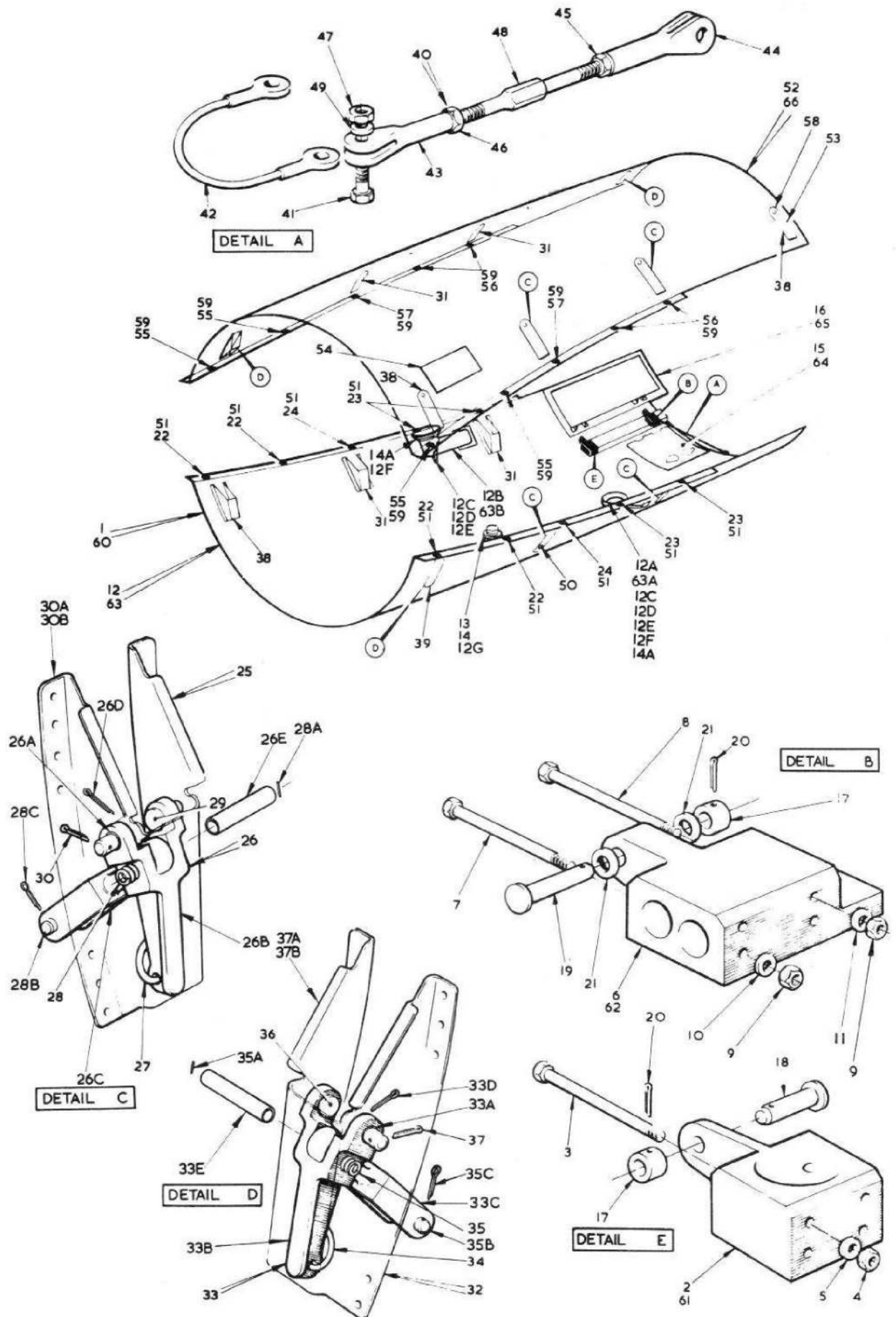


FIG 3 COWLING ENGINE PORT AND STBD

CODE RS

SECT. PA/PB

This file was downloaded
from the RTFM Library.

Link: www.scottbouch.com/rtfm

Please see site for usage terms,
and more aircraft documents.

