

POWER INSTALLATION

RA3 ENGINE INSTALLATION, PORT

Part Number	Description	No. Off	Matl. Spec.	Plate No.
EA1.00.103	RA3, ENGINE, INSTALLATION, PORT, ASSEMBLY Spares for:—	—	—	
AGS1142H	. ADAPTOR, nipple	1	—	PE1/1
EA4.61.93	. BRACKET	1	—	PE1/2
SP91N	. CLIP	2	—	PE1/3
EA4.61.97	. CLIP	1	—	PE1/4
A25/13C	Attaching parts for EA4.61.97:— . Bolt, 2BA	2	—	PE1/5
EA1.50.959	. DUCT, compressor bleed valve	2	—	PE1/6
AGS1167H	. ELBOW	1	—	PE1/7
EA1.60.5	. FIRE PROTECTION SYSTEM, ENGINE BAY ASSEMBLY (See Chapter SF)	—	—	
EA4.61.101	. PIPE	1	—	PE1/8
EA4.61.105	. PIPE, flexible (Pre-Mod 5448)	1	—	PE1/9
EA4.61.115	. PIPE, flexible (Mod 5448)	1	—	
EA1.60.57	. PIPE, flexible fireproof (Dunlop Part No. AHO24508/10.75)	1	WH2/1	PE1/10
EA1.57.15	. PIPE, flexible, fuel (Dunlop Part No. AHM541/21.0)	1	WH2/1	PE1/11
EA1.50.1667	. PIPE, FUEL, DRAIN, ASSEMBLY (PRE-MOD 4726)	—	—	
EA3.50.37	. PIPE, FUEL, DRAIN, ASSEMBLY (MOD 4726) Spares for:—	—	—	PE1/12
SP93A12	. GROMMET (Mod 4726)	2	—	PE1/13
EA1.50.1665	. PIPE, drain (Pre-Mod 4726)	1	—	
EA3.50.35	. PIPE, assembly, drain (Mod 4726)	1	DTD5019	PE1/14
EA3.75.263	. PIPE, ASSEMBLY, H.P. CABIN PRESSURE SYSTEM Spares for:—	1	—	PE1/15
K.A.C CO. GLASGOW C2593	. COUPLING, flexible	1	—	PE1/32
AGS1142H	. NIPPLE	2	—	PE1/33
EA3.75.255	. PIPE, assembly	1	—	PE1/34
EA3.75.257	. PIPE, assembly	1	—	PE1/16
EA3.50.1	. PIPE, ENGINE WHEELCASE BREATHER ASSEMBLY Spares for:—	1	—	PE1/17
SP91J	. CLIP	2	—	PE1/18
EA3.50.7	. CLIP, P Attaching parts for EA3.50.7:—	2	—	PE1/19
A25/1E	. Bolt	1	—	PE1/20
AGS2001E1/66	. Nut	1	—	PE1/21
SP15E	. Washer	1	—	PE1/22
EA3.50.3	. PLATE	1	—	PE1/23
EEAS66/4	. RING, clamping	2	L72	PE1/24
EA3.50.9	. SLEEVE, pipe connecting	1	Silastic	PE1/25

POWER INSTALLATION

RA3 ENGINE INSTALLATION, PORT

Part Number	Description	No. Off	Matl. Spec.	Plate No.
EA2.57.785	. PIPE, flexible, drop tank air supply (Pre-Mod 5448)	1	-	PE1/26
EA2.57.825	. PIPE, flexible (Mod 5448)	1	-	
EA3.57.33	. PIPE, assembly from compressor coupling to hose coupling	1	T26	PE1/27
EA1.50.973	. RING, retaining, split	4	L59	PE1/28
126-3PG	. SWITCH, warning, fuel pressure	1	-	PE1/35
EA3.81.1105	. THERMO-COUPLE, ASSEMBLY	4	-	PE1/29
	Spares for:-			
TYPE B8	. THERMO-COUPLE, Type B8	1	-	PE1/30
R SLP80WE	. TUBING	1	-	PE1/31

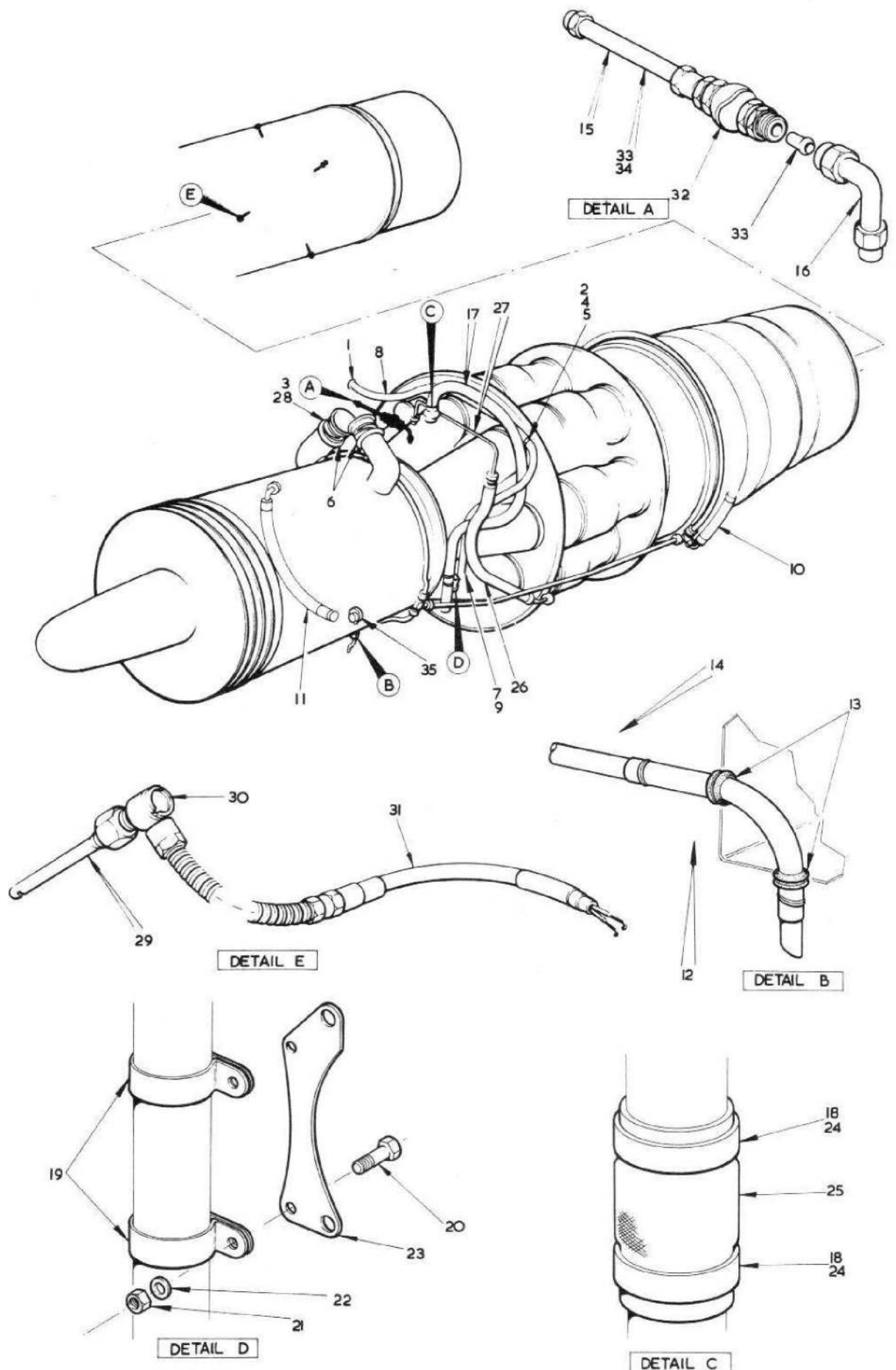


FIG.1 RA3 ENGINE INSTALLATION PORT

CODE R

SECT. PE

POWER INSTALLATION

RA3 ENGINE, INSTALLATION, STARBOARD

Part Number	Description	No. Off	Matl. Spec.	Plate No.
EA1.00.104	RA3, ENGINE, INSTALLATION, STARBOARD Spares for:—	—	—	
AGS1142H	. . . ADAPTOR, nipple	2	—	PF1/1
SP91N	. . . CLIP	2	—	PF1/2
EA1.50.959	. . . DUCT, compressor bleed valve	2	—	PF1/3
EA1.60.6	. . . FIRE PROTECTION SYSTEM, ENGINE BAY (See Chapter SF)	—	—	
EA1.60.58	. . . PIPE, flexible fireproof (Dunlop Part No. AHO24509/10-75)	1	WH2/1	PF1/16
EA1.57.16	. . . PIPE, flexible fuel (Dunlop Part No. AHO542/21-0)	1	WH2/1	PF1/17
EB7.61.85	. . . PIPE, flexible air (Pre—Mod 3797)	1	—	PF1/18
EB7.61.135	. . . PIPE, flexible air (Mod 3797)	1	—	
EB6.57.83	. . . PIPE, flexible (Pre—Mod 5448)	1	—	PF1/19
EB6.57.351	. . . PIPE, flexible (Mod 5448)	1	—	
EA3.75.265	. . . PIPE, H.P. CABIN PRESSURE SYSTEM, ASSEMBLY Consisting of:—	1	—	PF1/20
K.A.C. Co. C2593	. . . COUPLING, flexible	2	—	PF1/21
AGS1142H	. . . NIPPLE	2	—	PF1/22
EA3.75.257	. . . PIPE, assembly	1	—	PF1/23
EA3.75.259	. . . PIPE, assembly	1	—	PF1/24
EA1.50.1667	. . . PIPE, FUEL DRAIN, ASSEMBLY (PRE—MOD 4726)	1	—	
EA3.50.37	. . . PIPE, FUEL DRAIN, ASSEMBLY (MOD 4726) Spares for:—	1	—	PF1/25
SP93A12	. . . GROMMET (Mod 4726)	2	—	PF1/26
EA1.50.1665	. . . PIPE, drain	1	—	
EA3.50.35	. . . PIPE, assembly, drain (Mod 4726)	1	DTD5019	PF1/30
EA3.50.1	. . . PIPE, ENGINE, WHEELCASE BREATHER, ASSEMBLY Spares for:—	1	—	PF1/27
SP91J	. . . CLIP	2	—	PF1/4
EA1.50.7	. . . CLIP, P Attaching parts for EA3.50.7:—	2	—	PF1/5
A25/1E	. . . Bolt	1	—	PF1/6
AGS2001E1/66	. . . Nut	1	—	PF1/7
SP15E	. . . Washer	1	—	PF1/8
EA3.50.3	. . . PLATE	1	—	PF1/9
EEAS66/4	. . . RING, clamping	2	L72	PF1/28
EA3.50.9	. . . SLEEVE, pipe connecting	1	Silastic	PF1/29
EA1.50.973	. . . RING, air duct retaining	4	—	PF1/10
305V9700	. . . SWITCH, warning, fuel pressure	1	—	PF1/11
KGA0463	. . . TACHOMETER, generator, Mk.-8	1	—	PF1/12
EA3.81.1105	. . . THERMO-COUPLE, ASSEMBLY Spares for:—	4	—	PF1/13
TYPE B8	. . . THERMO-COUPLE, Type B8	1	—	PF1/14
DUNLOP 26FZ3613	. . . TUBE, silicon rubber $\frac{5}{16}$ " dia x 16" long	1	Shore 75-80	PF1/15
or HELLERMANN SLP80	. . . TUBING	1	—	

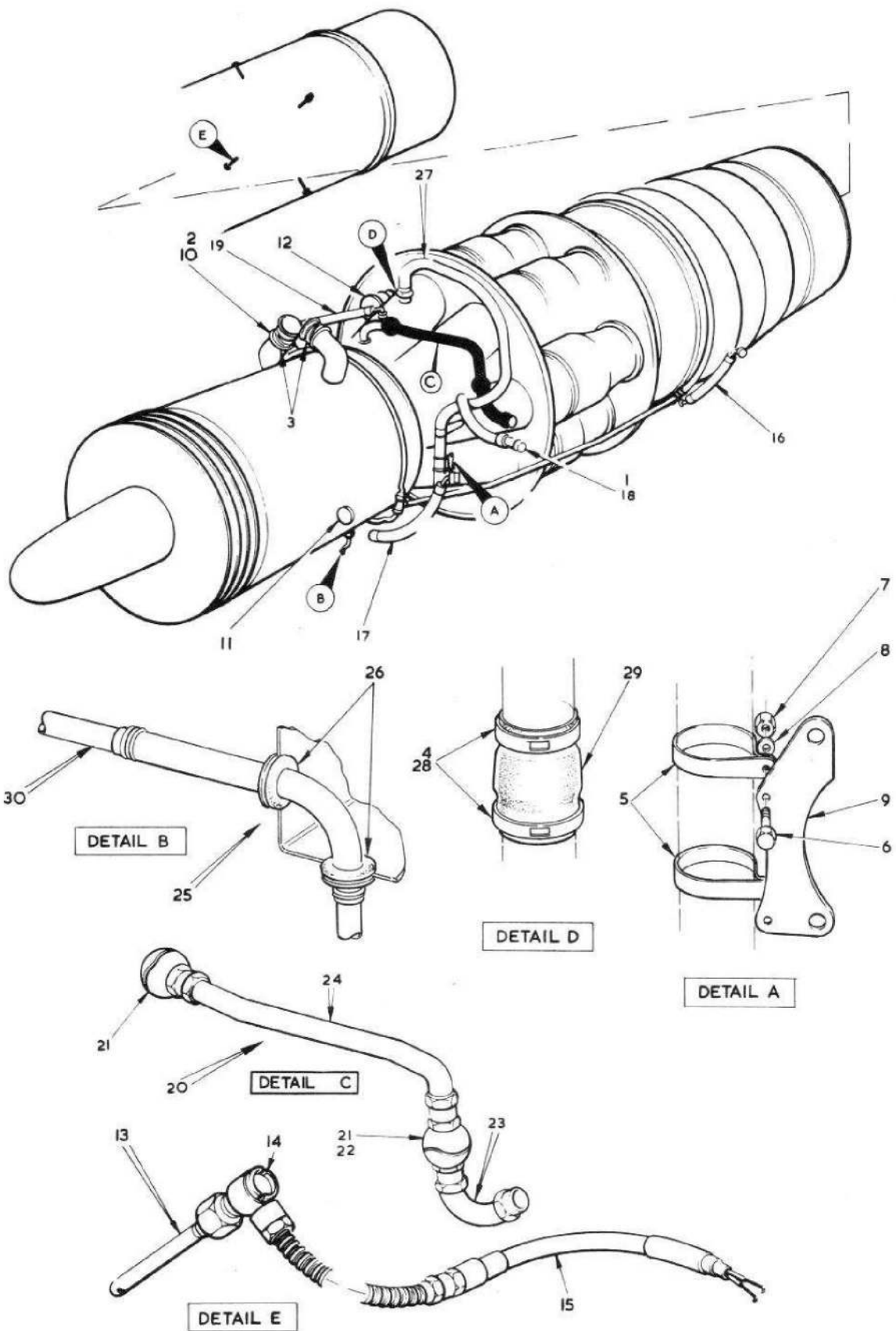


FIG.1 RA3 ENGINE INSTALLATION STBD

AP101B-0402-3A

Page PF.1

POWER INSTALLATION

RA3 ENGINE, INSTALLATION, STARBOARD

Part Number	Description	No. Off	Matl. Spec.	Plate No.
EA1.00.104	RA3, ENGINE, INSTALLATION, STARBOARD	—	—	
	Spares for:—			
AGS1142H	. ADAPTOR, nipple	2	—	PF1/1
SP91N	. CLIP	2	—	PF1/2
EA1.50.959	. DUCT, compressor bleed valve	2	—	PF1/3
EA1.60.6	. FIRE PROTECTION SYSTEM, ENGINE BAY (See Chapter SF)	—	—	
EA1.60.58	. PIPE, flexible fireproof (Dunlop Part No. AHO24509/10-75)	1	WH2/1	PF1/16
EA1.57.16	. PIPE, flexible fuel (Dunlop Part No. AHO542/21-0)	1	WH2/1	PF1/17
EB7.61.85	. PIPE, flexible air (Pre-Mod 3797)	1	—	PF1/18
EB7.61.135	. PIPE, flexible air (Mod 3797)	1	—	
EB6.57.83	. PIPE, flexible (Pre-Mod 5448)	1	—	PF1/19
EB6.57.351	. PIPE, flexible (Mod 5448)	1	—	
EA3.75.265	. PIPE, H.P. CABIN PRESSURE SYSTEM, ASSEMBLY Consisting of:—	1	—	PF1/20
K.A.C. Co.				
C2593	. COUPLING, flexible	2	—	PF1/21
AGS1142H	. NIPPLE	2	—	PF1/22
EA3.75.257	. PIPE, assembly	1	—	PF1/23
EA3.75.259	. PIPE, assembly	1	—	PF1/24
EA1.50.1667	. PIPE, FUEL DRAIN, ASSEMBLY (PRE-MOD 4726)	1	—	
EA3.50.37	. PIPE, FUEL DRAIN, ASSEMBLY (MOD 4726) Spares for:—	1	—	PF1/25
SP93A12	. GROMMET (Mod 4726)	2	—	PF1/26
EA1.50.1665	. PIPE, drain	1	—	
EA3.50.35	. PIPE, assembly, drain (Mod 4726)	1	DTD5019	PF1/30
EA3.50.1	. PIPE, ENGINE, WHEELCASE BREATHER, ASSEMBLY Spares for:—	1	—	PF1/27
SP91J	. CLIP	2	—	PF1/4
EA1.50.7	. CLIP, P Attaching parts for EA3.50.7:—	2	—	PF1/5
A25/1E	. Bolt	1	—	PF1/6
AGS2001E1/66	. Nut	1	—	PF1/7
SP15E	. Washer	1	—	PF1/8
EA3.50.3	. PLATE	1	—	PF1/9
EEAS66/4	. RING, clamping	2	L72	PF1/28
EA3.50.9	. SLEEVE, pipe connecting	1	Silastic	PF1/29
EA1.50.973	. RING, air duct retaining	4	—	PF1/10
305V9700	. SWITCH, warning, fuel pressure	1	—	PF1/11
KGA0463	. TACHOMETER, generator, Mk. B	1	—	PF1/12
EA3.81.1105	. THERMO-COUPLE, ASSEMBLY Spares for:—	4	—	PF1/13
TYPE B8	. THERMO-COUPLE, Type B8	1	—	PF1/14
SLP80WE	. TUBING	1	—	PF1/15

R

This file was downloaded
from the RTFM Library.

Link: www.scottbouch.com/rtfm

Please see site for usage terms,
and more aircraft documents.

